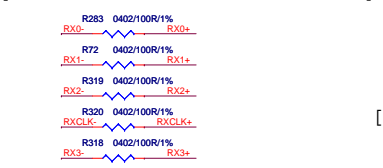
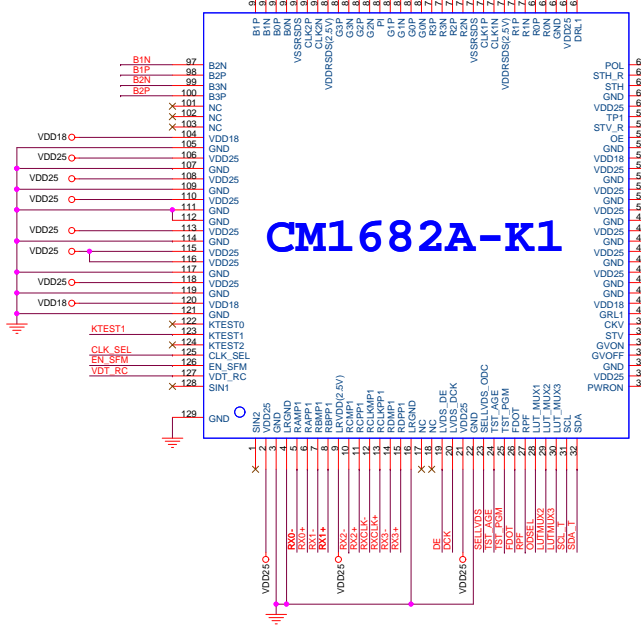


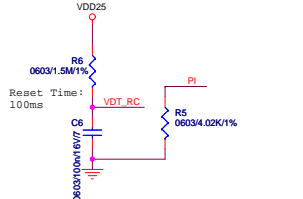
[LVDS Terminator near T-CON]



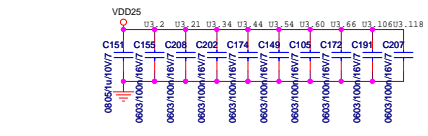
[ASIC]



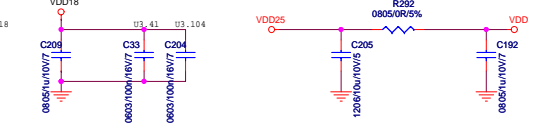
[ASIC Settings]



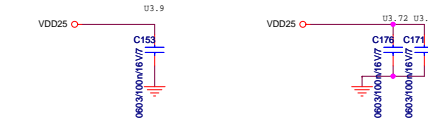
[T-CON I/O power]



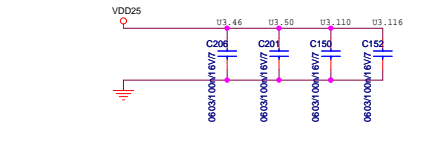
[T-CON Core power]



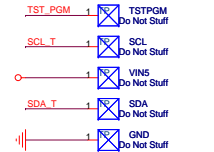
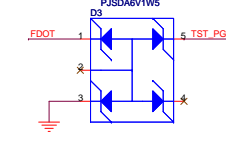
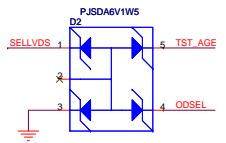
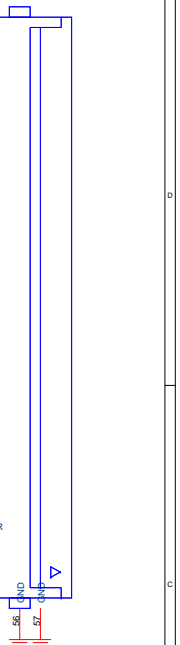
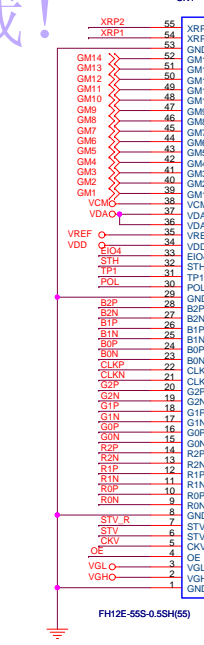
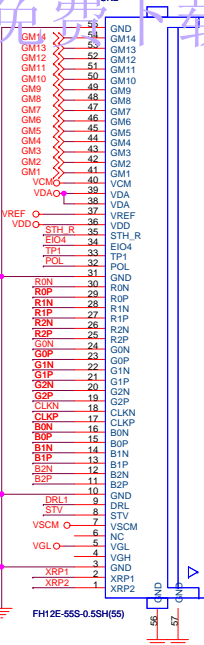
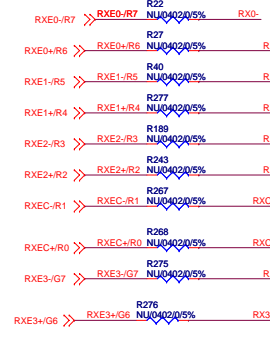
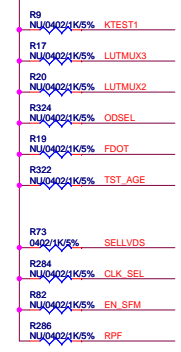
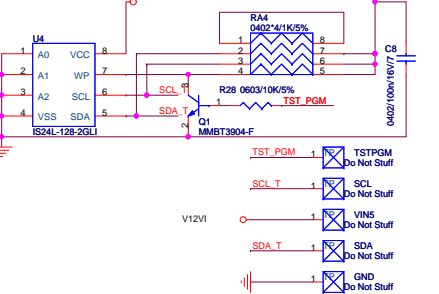
[T-CON LVDS power][T-CON RSDS power]

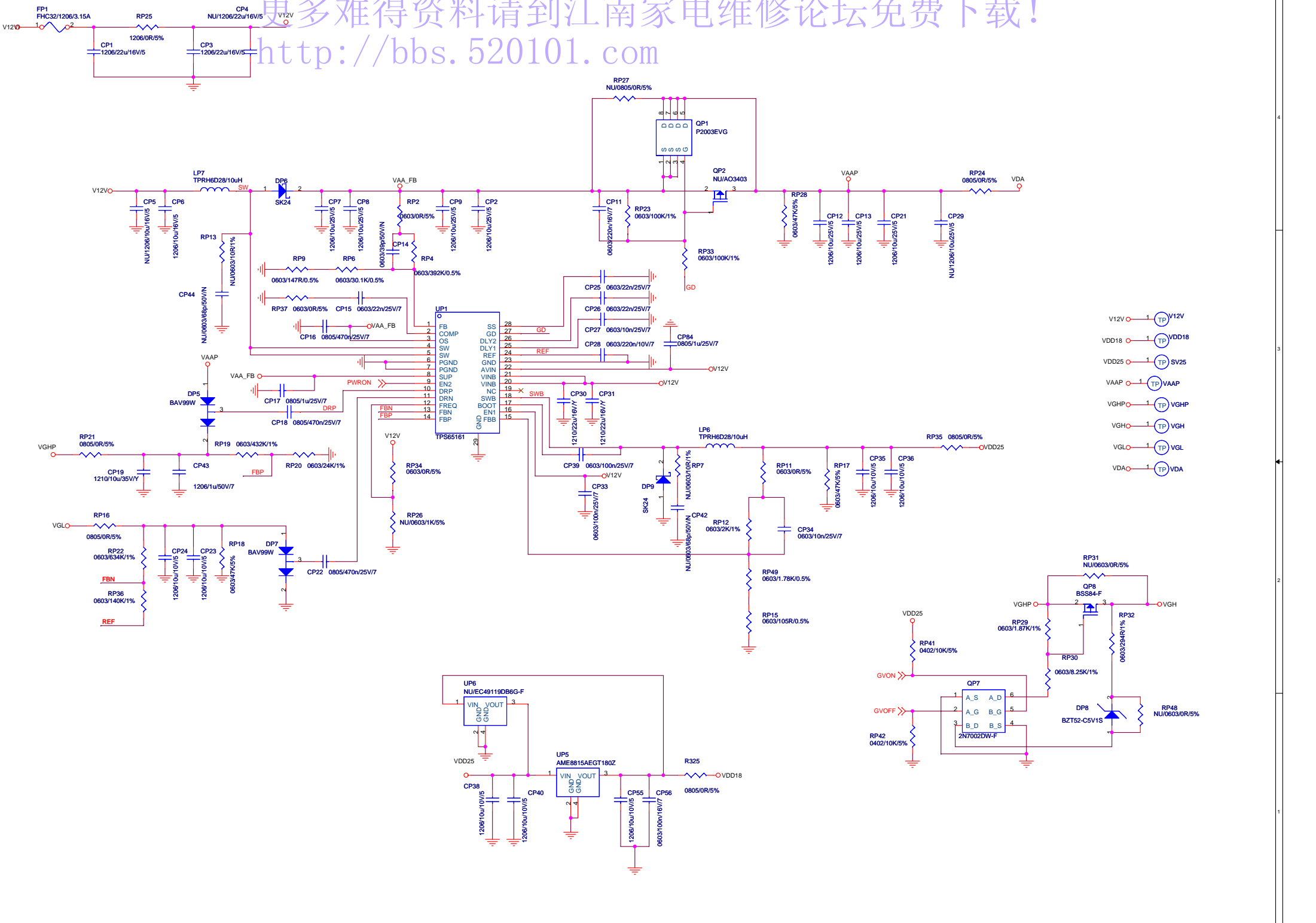


[SDRAM power filter]

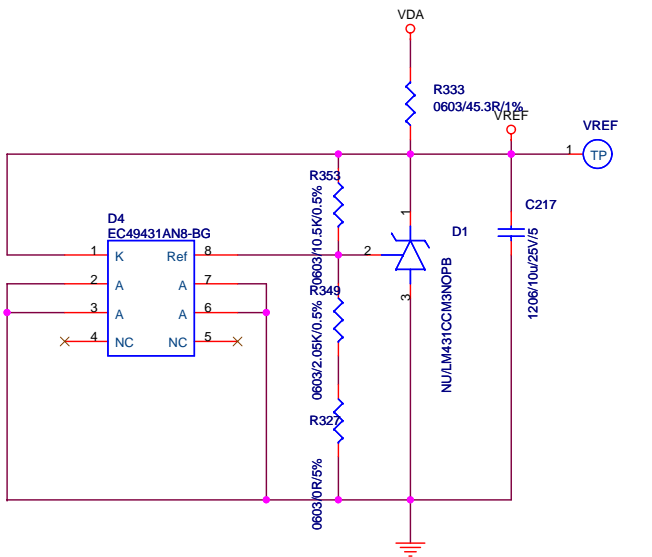
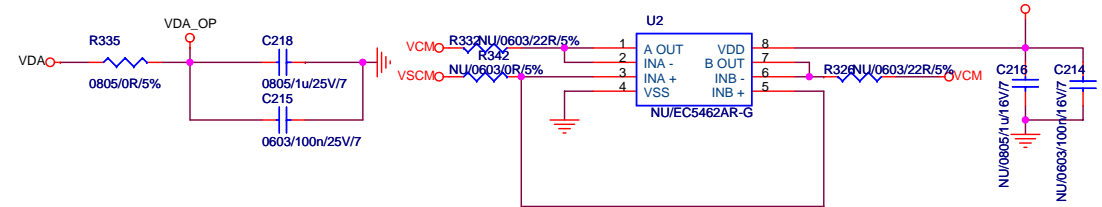
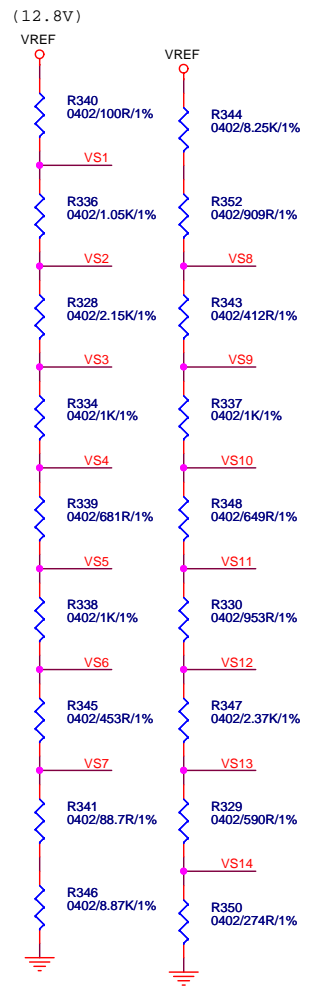
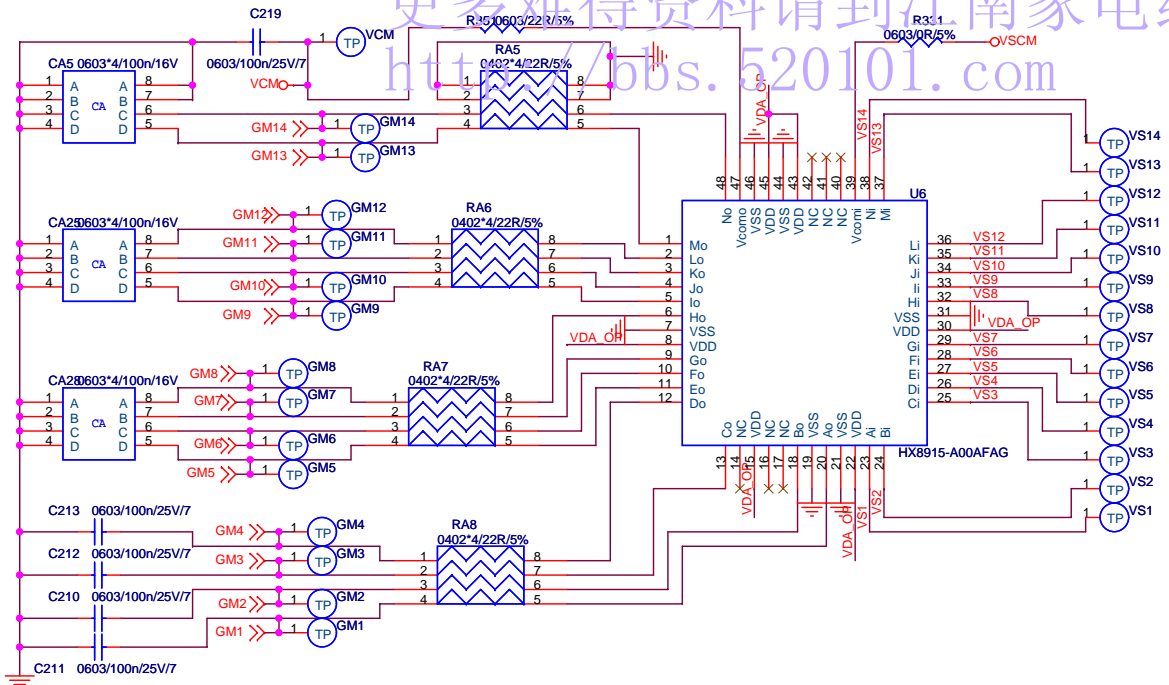


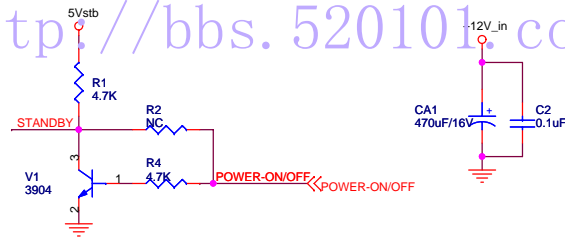
[I2C EEPROM for LUT]



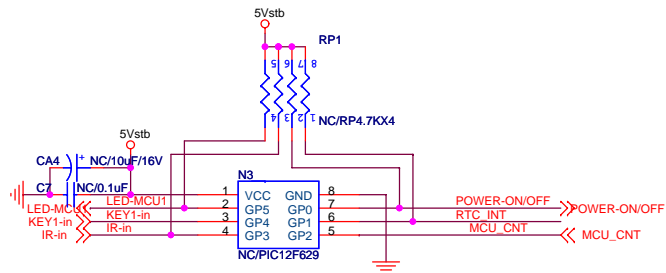
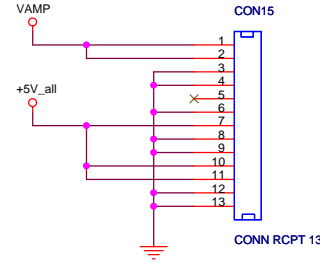
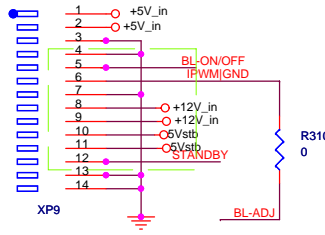
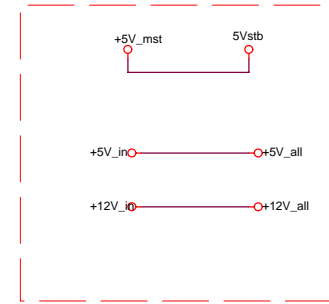


- V12V ○ 1 TP V12V
- VDD18 ○ 1 TP VDD18
- VDD25 ○ 1 TP SV25
- VAA ○ 1 TP VAA
- VGH ○ 1 TP VGH
- VGL ○ 1 TP VGL
- VDA ○ 1 TP VDA

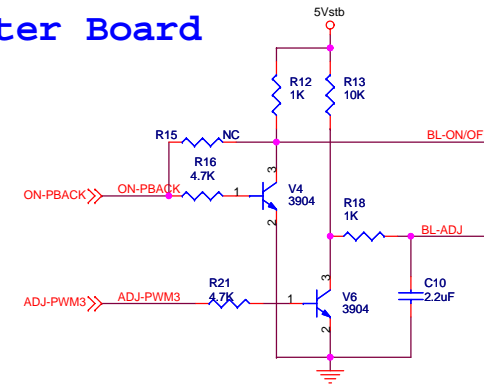




更改部分



TO Inverter Board



Title		
<Title>		
Size	Document Number	Rev
A3	MST9E19A	2.0
Date:	Saturday, August 16, 2008	Sheet 1 of 19

Vcc3.3for MST9E19A analog

Vcc1.8 for MST9E19A

+3.3AVDD for AVDD\_HDMI

+3.3AVDD for AVDD\_AU

+3.3AVDD for AVDDA

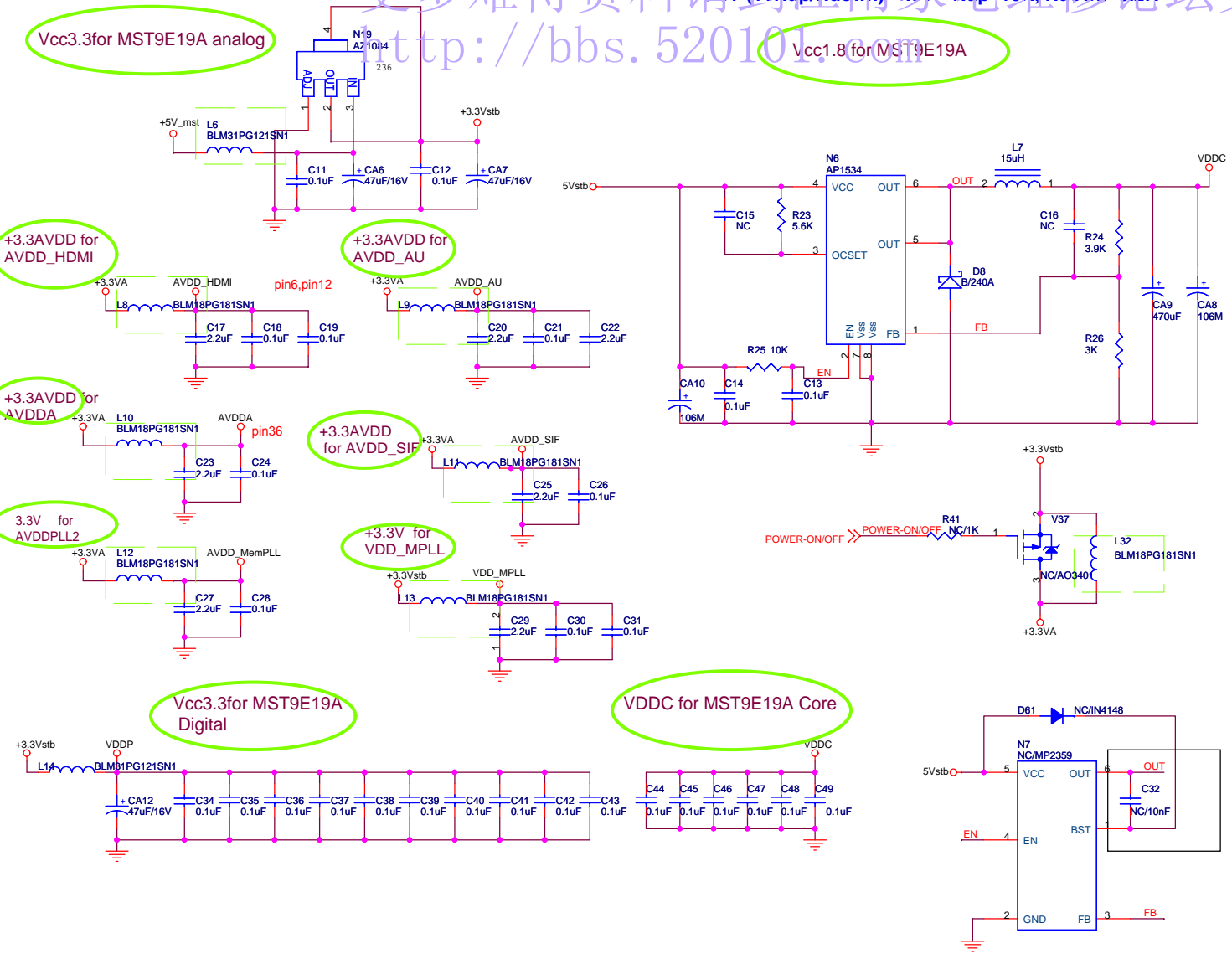
+3.3AVDD for AVDD\_SIF

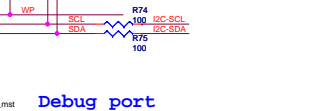
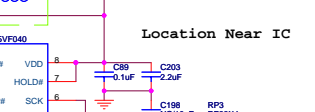
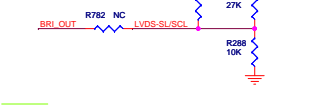
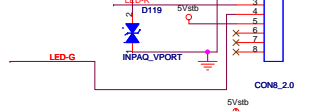
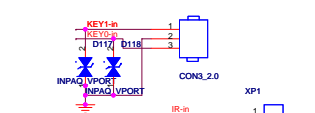
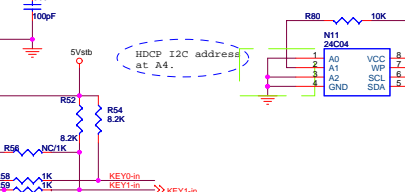
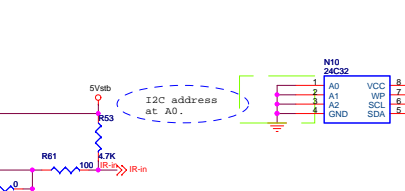
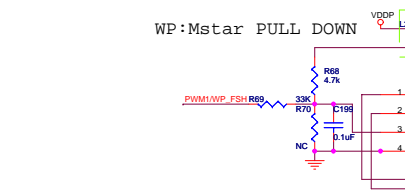
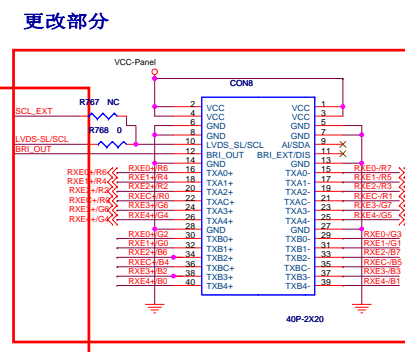
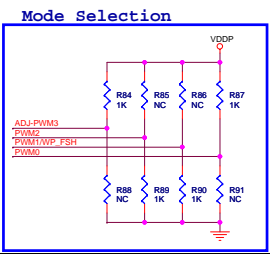
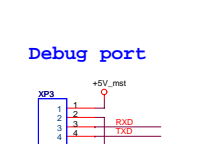
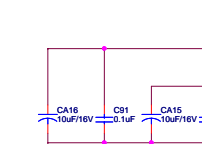
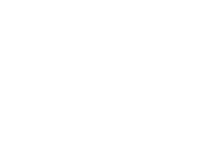
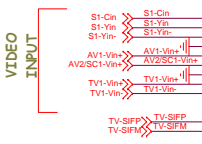
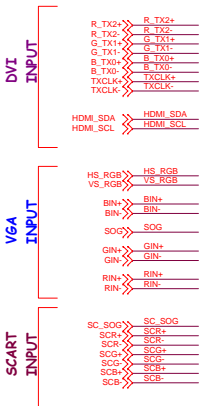
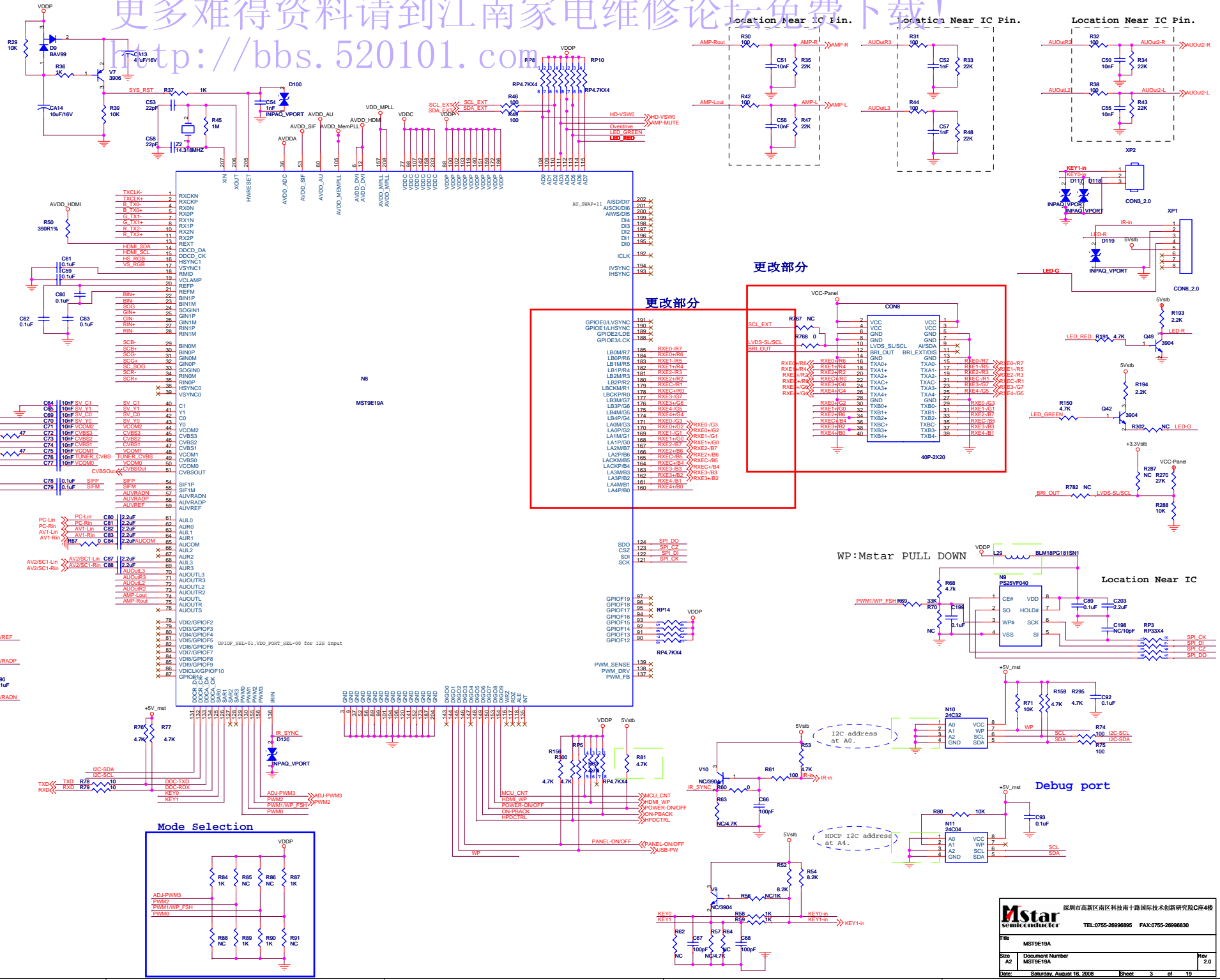
3.3V for AVDDPLL2

+3.3V for VDD\_MPLL

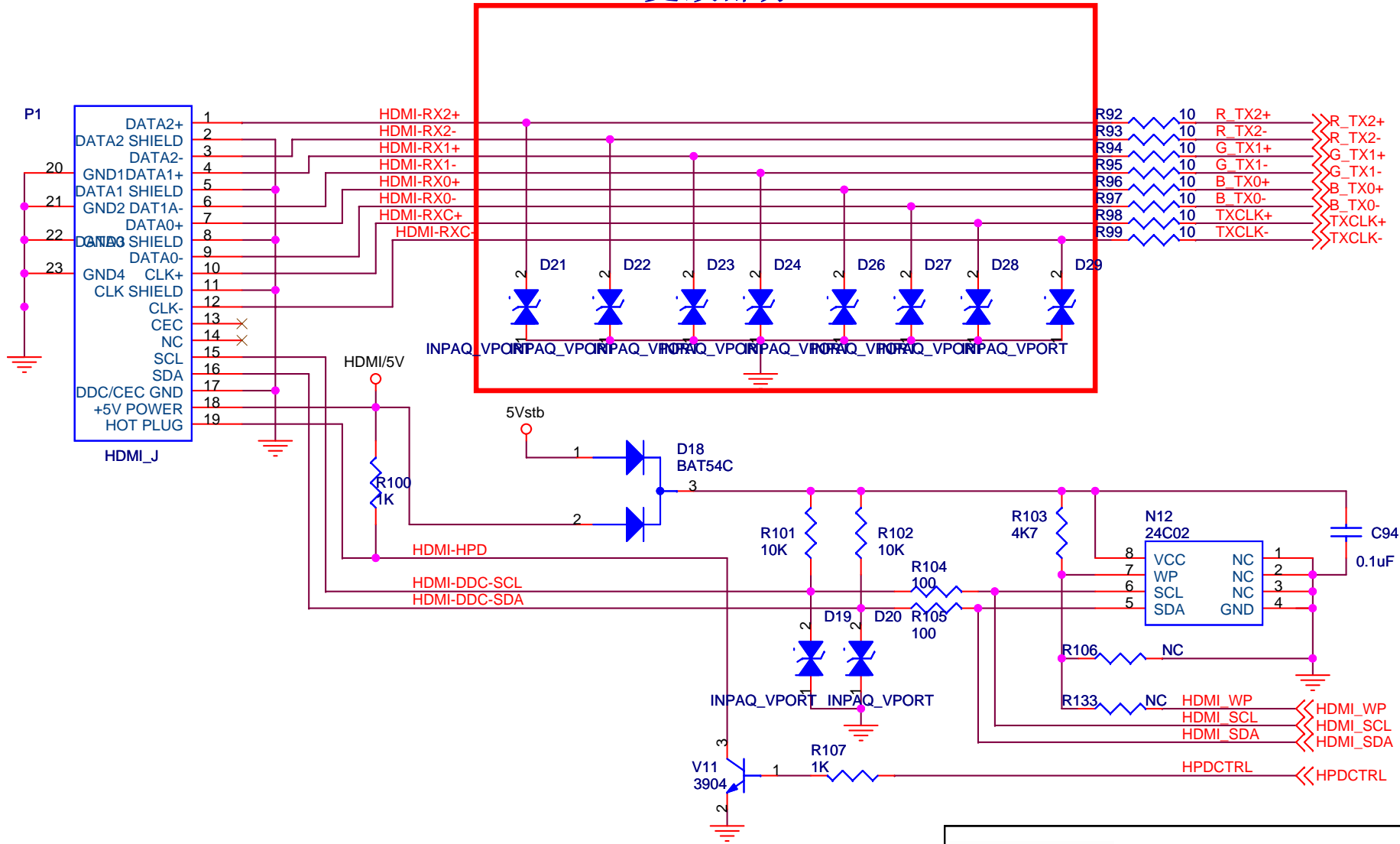
Vcc3.3for MST9E19A Digital

VDDC for MST9E19A Core





更改部分



深圳市高新区南区科技南十路国际技术创新研究院C座4楼

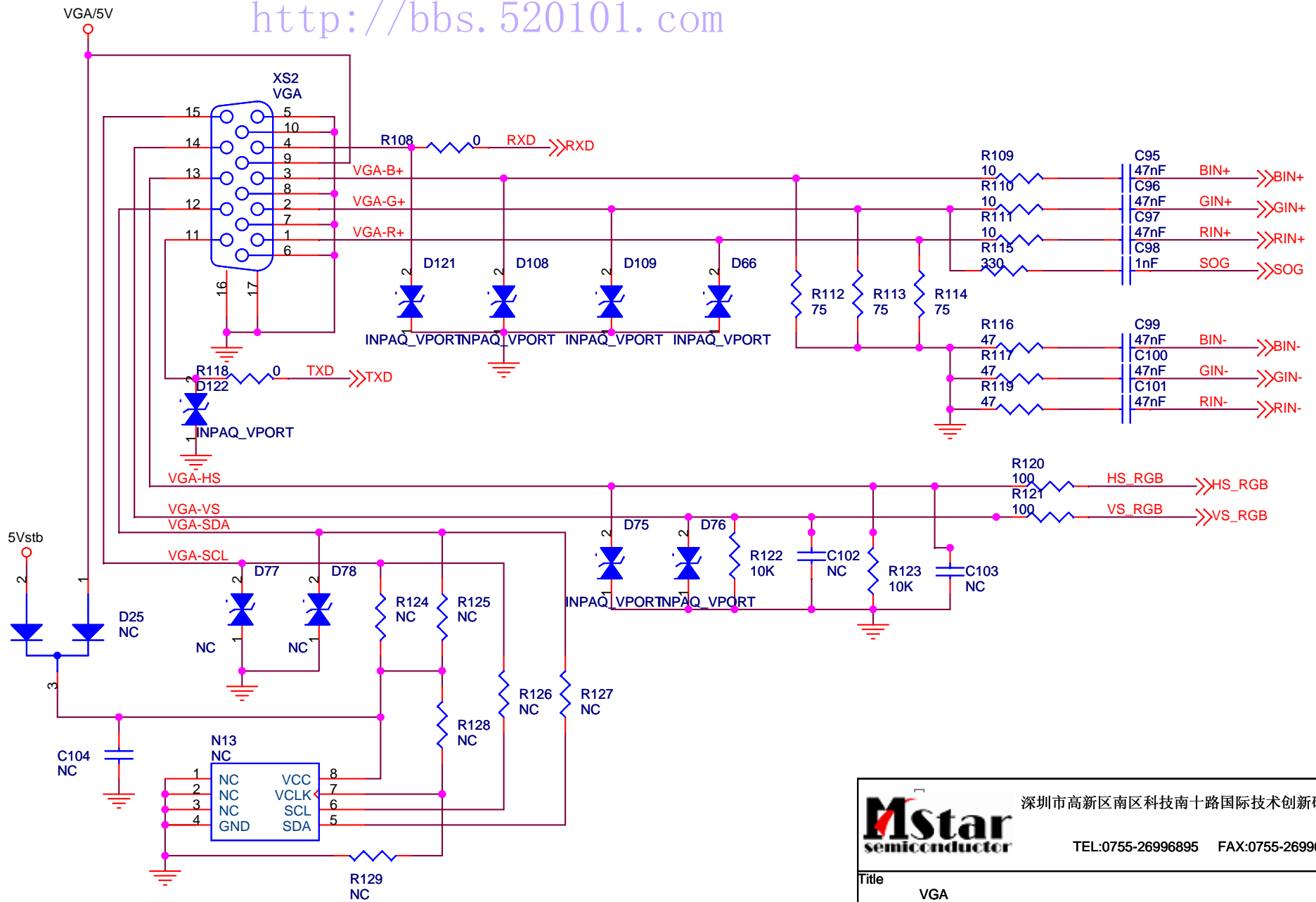
**Mstar** semiconductor  
 TEL:0755-26996895 FAX:0755-26996830


Title: HDMI

Size A	Document Number MST9E19A	Rev 2.0
--------	-----------------------------	------------

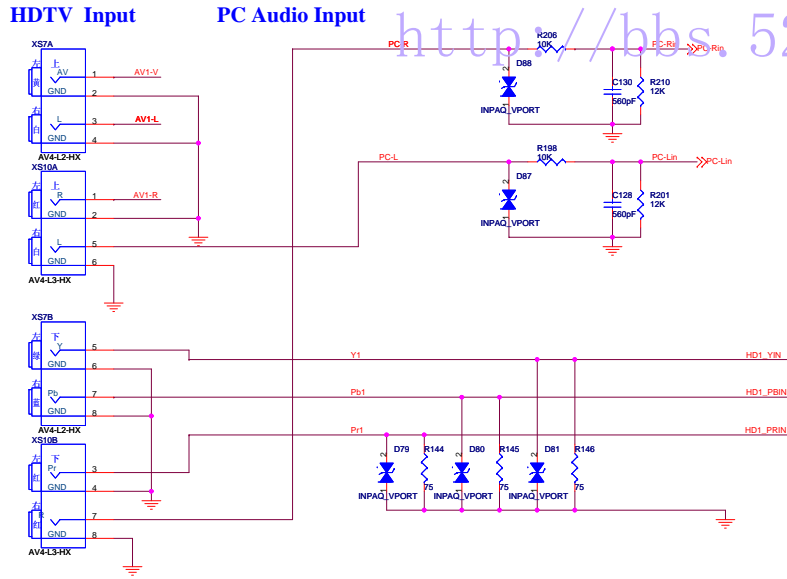
Date: Saturday, August 16, 2008 Sheet 4 of 19



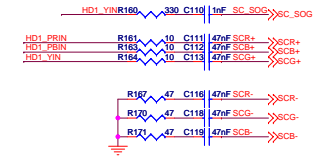
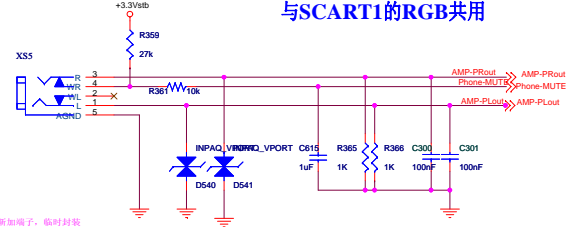



 深圳市高新区南区科技南十路国际技术创新研究院C座4楼  
 TEL:0755-26996895 FAX:0755-26996830

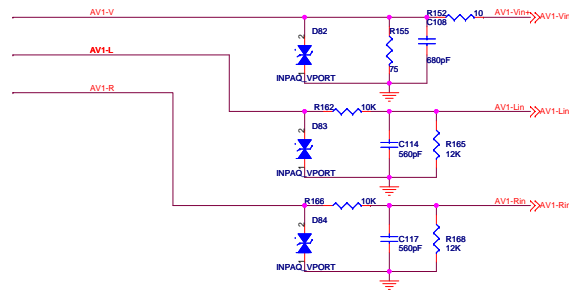
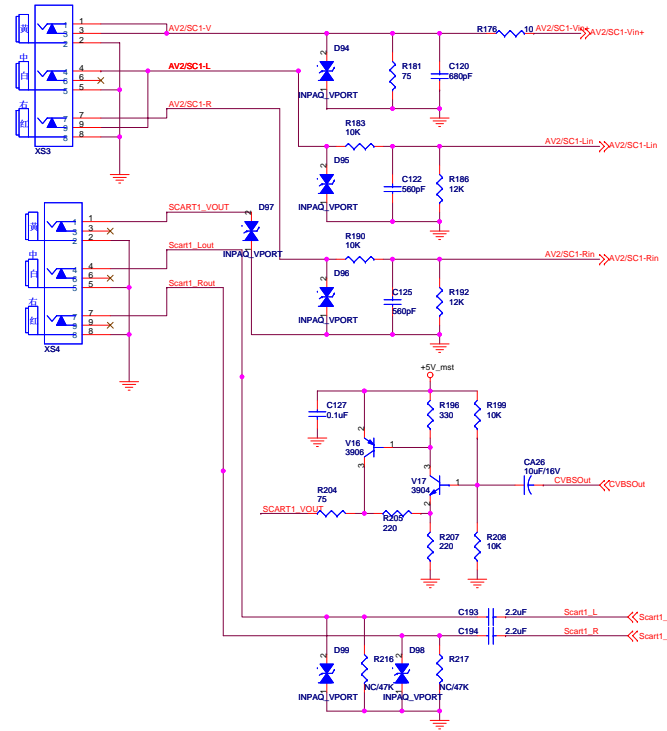
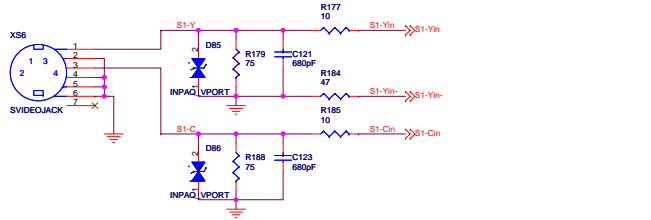
Title VGA		
Size A	Document Number MST9E19A	Rev 2.0
Date: Saturday, August 16, 2008	Sheet 5	of 19



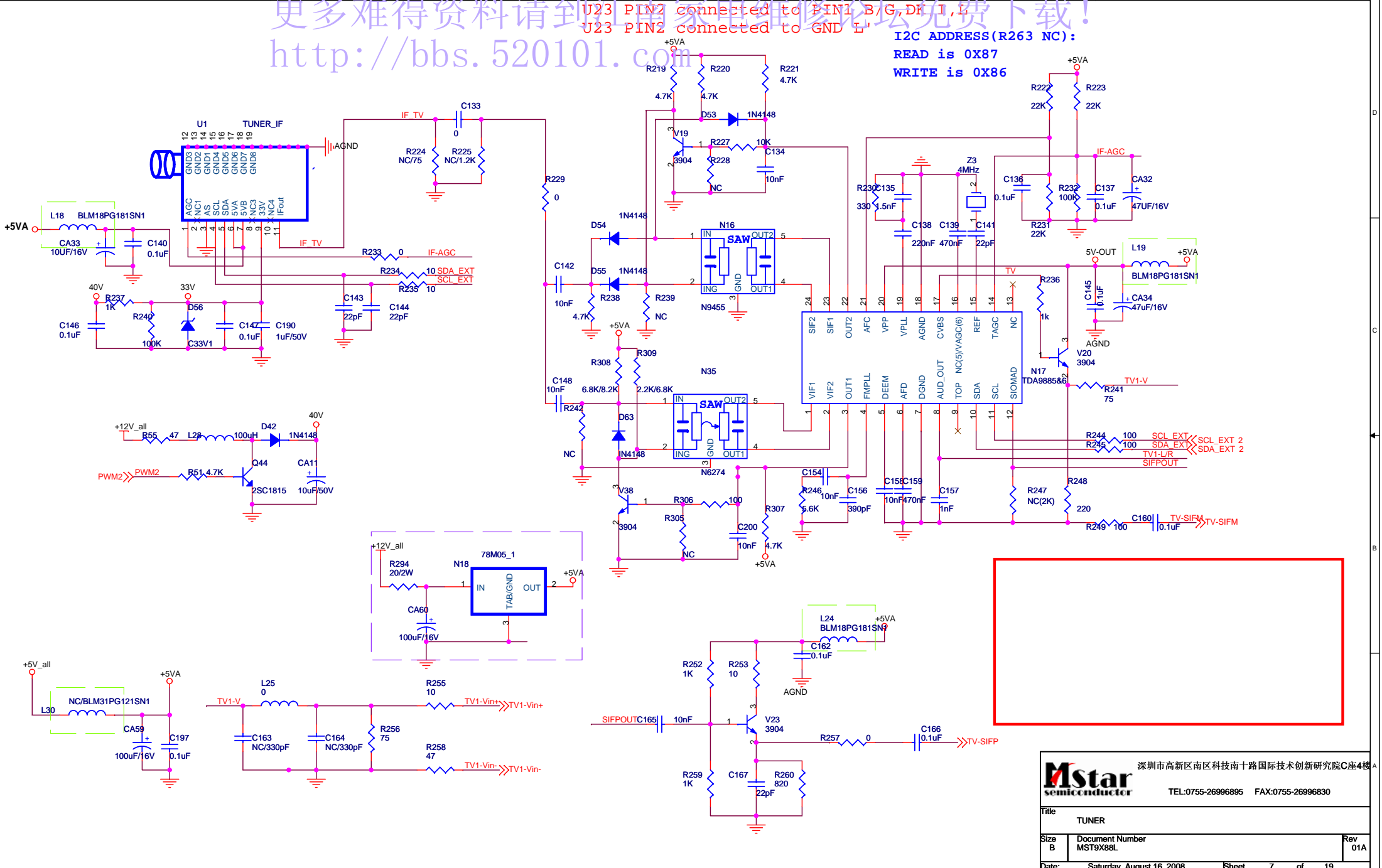
USB读卡器的图像YPbPr格式  
与SCART1的RGB共用



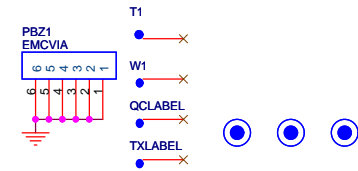
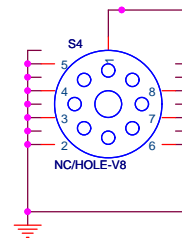
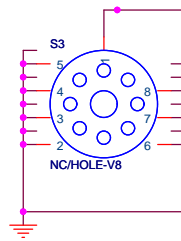
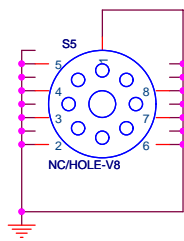
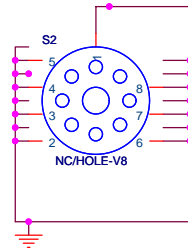
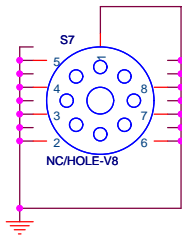
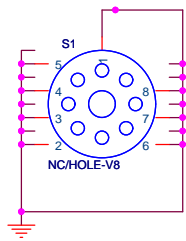
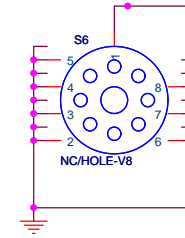
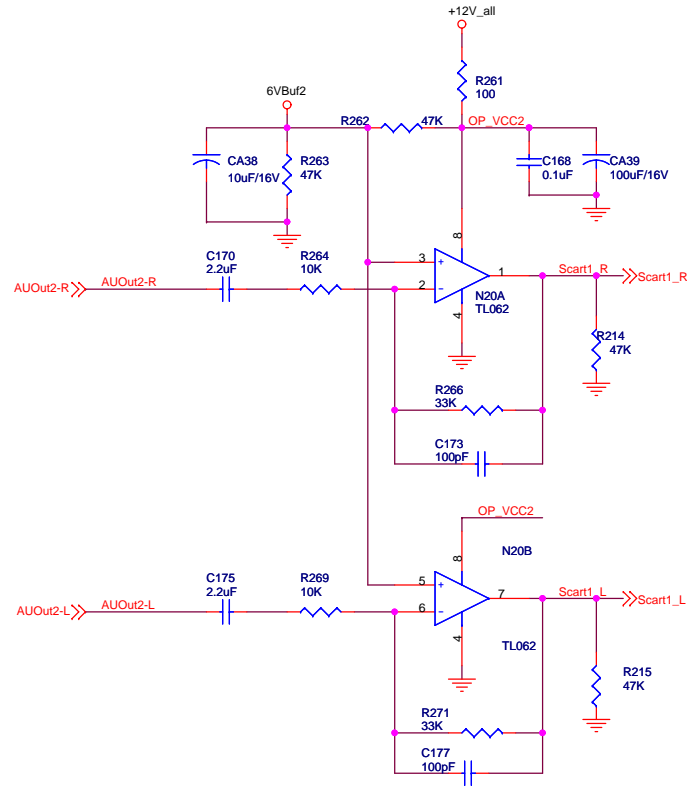
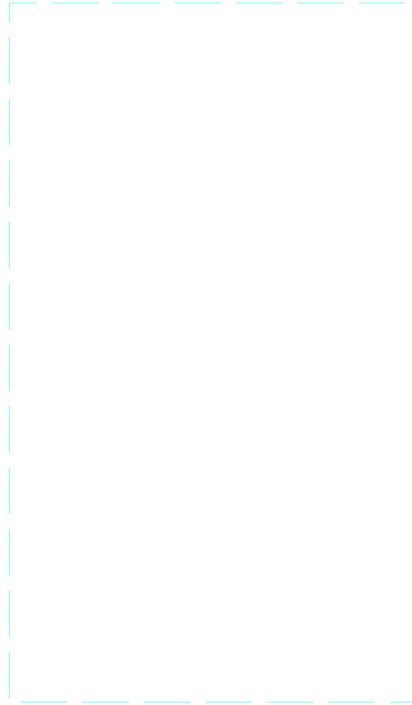
OR AV2&AVOUT



更多难得资料请到<http://bbs.520101.com> U23 PIN2 connected to PIN1 B/G, DR I, L  
 U23 PIN2 connected to GND L' I2C ADDRESS(R263 NC):  
 READ is 0X87  
 WRITE is 0X86

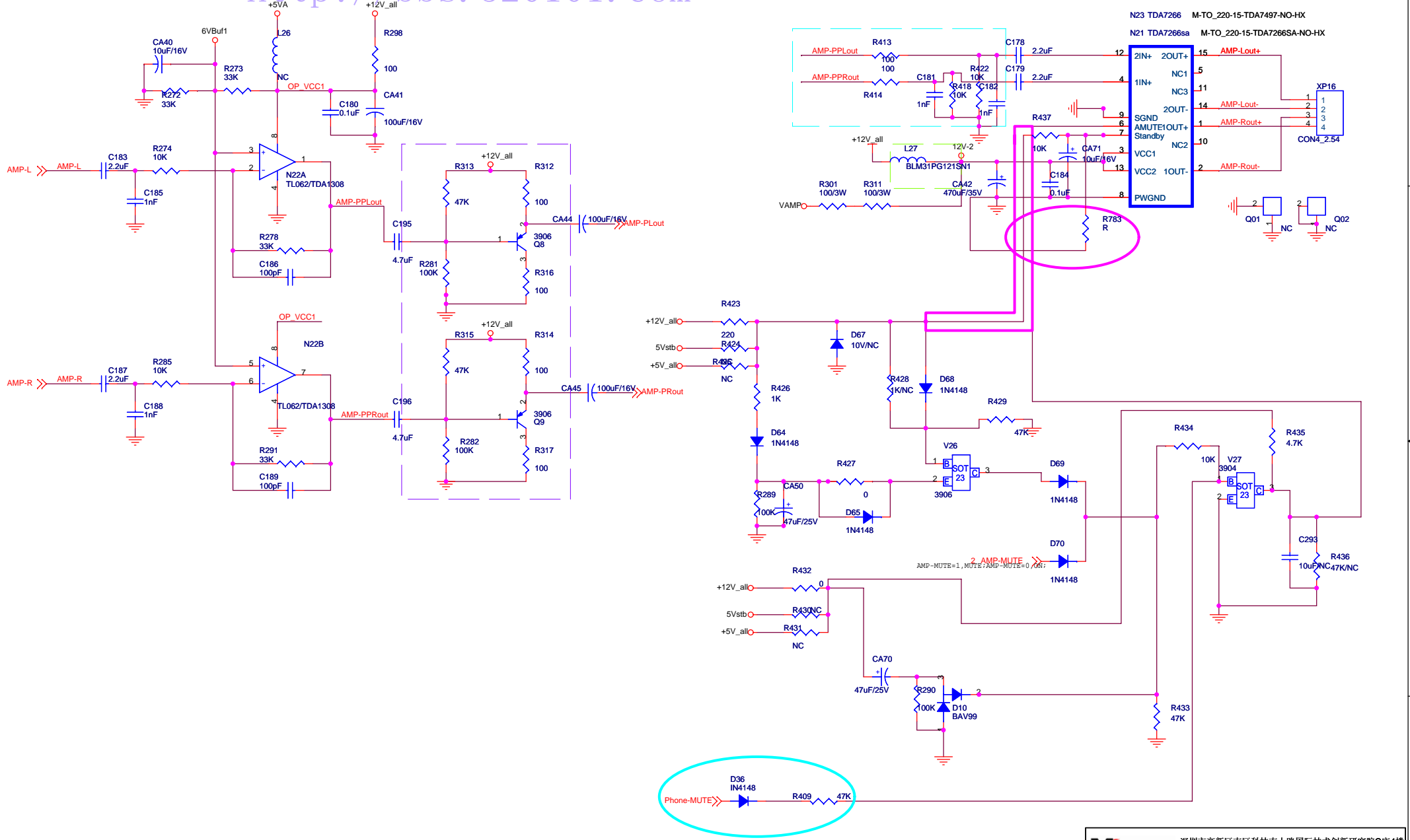


		深圳市高新区南区科技南十路国际技术创新研究院C座4楼A	
		TEL:0755-26996895 FAX:0755-26996830	
Title: TUNER			
Size B	Document Number: MST9X88L		Rev: 01A
Date: Saturday, August 16, 2008		Sheet 7 of 19	



Title		
MSTAR		
Size	Document Number	Rev
A3	MST9E19A	0.01
Date:	Tuesday, August 19, 2008	Sheet 8 of 19

FOR TDA1308/PT2308 L26 FE,R298 NC;  
 FOR TL062 L26 NC,R298 0;



Mstar  
 semiconductor

深圳市高新区南区科技南十路国际技术创新研究院C座4楼  
 TEL:0755-26996895 FAX:0755-26996830

Title		
TDA1517		
Size	Document Number	Rev
A3	MST9E19A	2.0
Date:	Saturday, August 16, 2008	Sheet 9 of 19

