

Service
Service
Service



H_17740_000.eps
240408

Service Manual

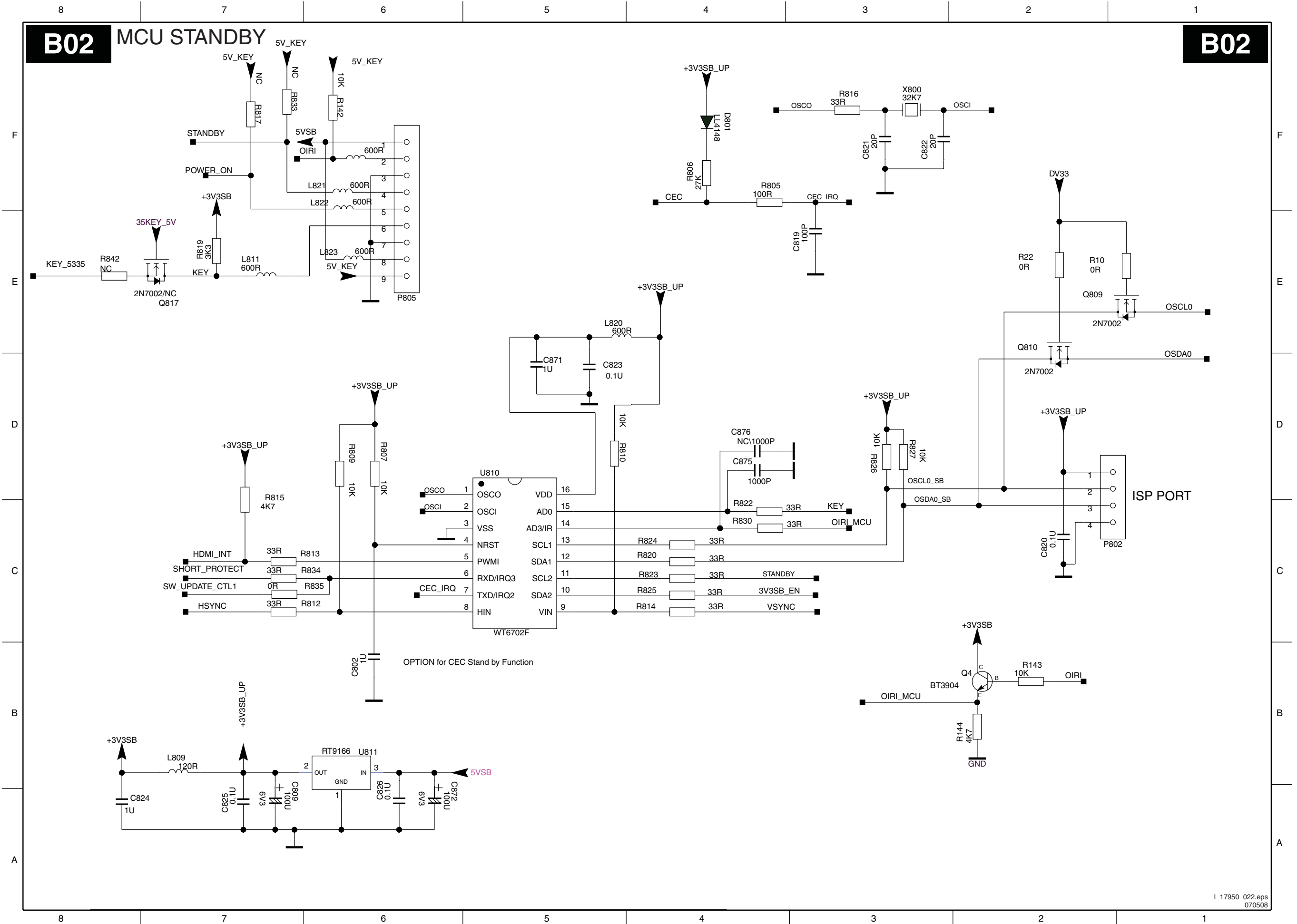
Contents	Page	
1. Technical Specifications, Connections, and Chassis Overview	2	
2. Safety Instructions, Warnings, and Notes	5	
3. Directions for Use	6	
4. Mechanical Instructions	7	
5. Service Modes, Error Codes, and Fault Finding	12	
6. <i>Block Diagrams, Test Point Overview, and Waveforms</i>		
Wiring Diagram Of Connector 19", 20", and 22"	19	
Wiring Diagram Of Connector 26"	19	
Block Diagram MT5335	20	
7. <i>Circuit Diagrams and PWB Layouts</i>		<i>Diagram PWB</i>
Main Power Supply (20")	(A)21	22
Main Power Supply (26")	(A1)23	25
Standby Power Supply (26")	(A2)24	26
SSB: Tuner	(B01)27	46-47
SSB: MCU Standby	(B02)28	46-47
SSB: DC / DC	(B03)29	46-47
SSB: Digital Channel Decoder	(B04)30	46-47
SSB: DVBT/ CI Decoder	(B05)31	46-47
SSB: Audio Amplifier	(B06)32	46-47
SSB: MT5335 Video Processor	(B07)33	46-47
SSB: MT5335 Interface USB/HDMI	(B08)34	46-47
SSB: Interface LVDS TTL	(B09)35	46-47
SSB: Flash Memory	(B10)36	46-47
SSB: SDRAM	(B11)37	46-47
SSB: MT5335 Interface VGA	(B12)38	46-47
SSB: D/A Converter	(B13)39	46-47
SSB: HDMI Switch	(B14)40	46-47
SSB: I/O Scart	(B15)41	46-47
SSB: I/O Side AV, S-Video, Audio	(B16)42	46-47
SSB: MT5335 Interface YPbPr & VGA	(B17)43	46-47
SSB: I/O VGA	(B17)44	46-47
SSB: LVDS Receiver	(B18)45	46-47

Contents	Page
Keyboard Control Panel	(E)48 48
Inverter Panel	(I)49 50
IR LED Panel	(J)51 51
8. Alignments	53
9. Circuit Descriptions, Abbreviation List, and IC Data Sheets	54
Abbreviation List	55
IC Data Sheets	57
10. Spare Parts List & CTN Overview	65
11. Revision List	65

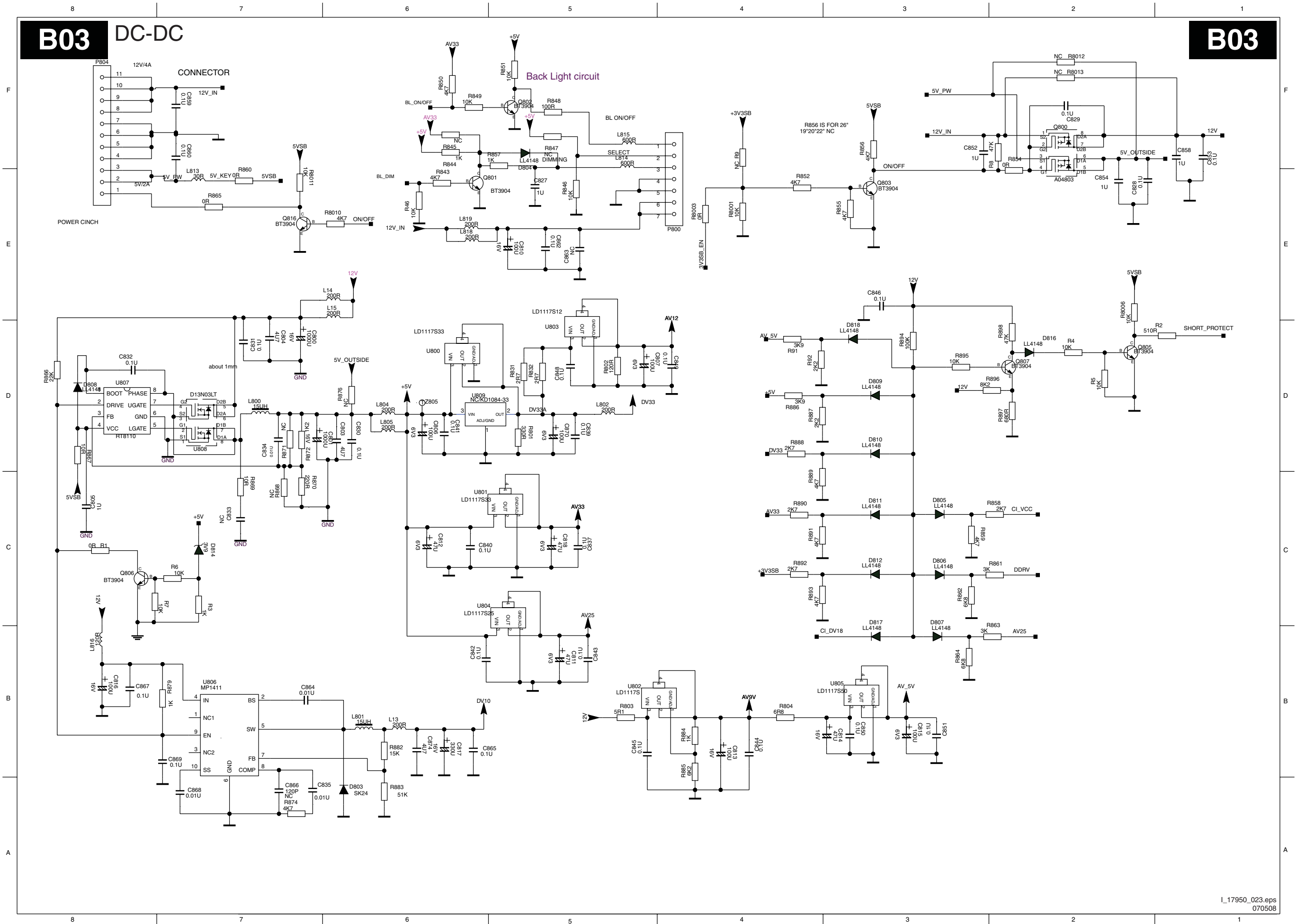
©Copyright 2008 Koninklijke Philips Electronics N.V.
All rights reserved. No part of this publication may be reproduced, stored in a retrieval system or transmitted, in any form or by any means, electronic, mechanical, photocopying, or otherwise without the prior permission of Philips.



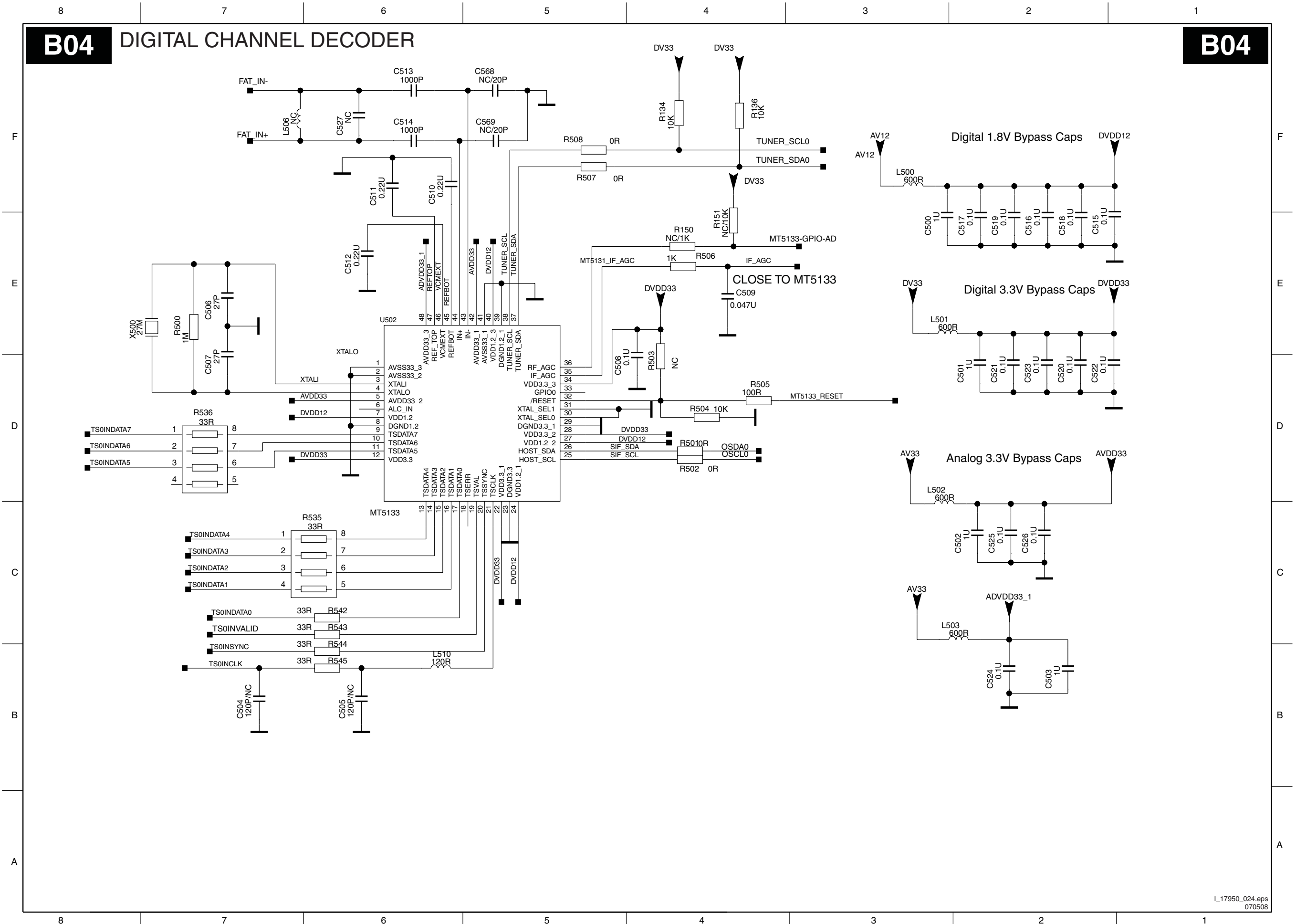
SSB: MCU Standby



SSB: DC / DC



SSB: Digital Channel Decoder

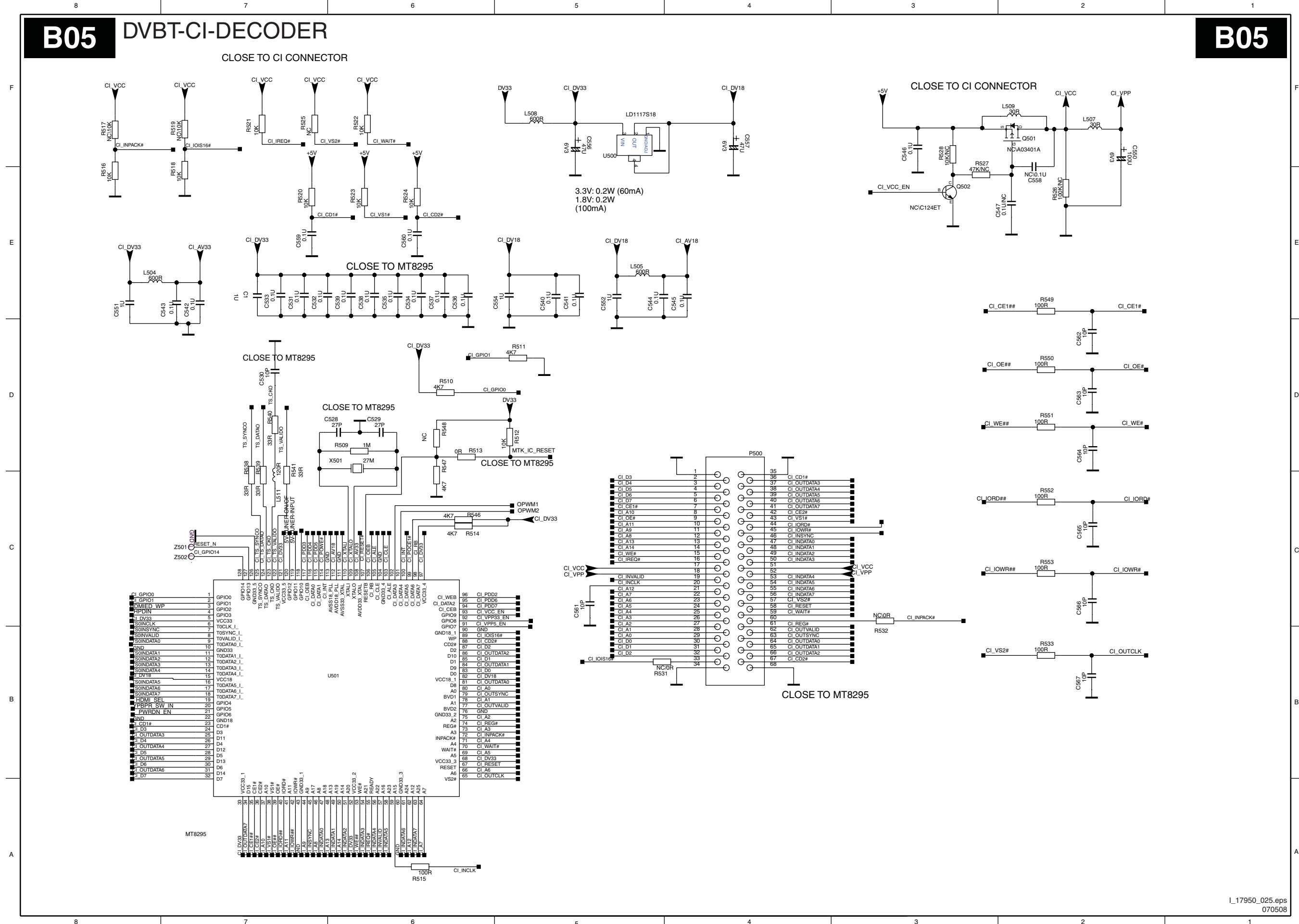


SSB: DVBT/ CI Decoder

B05

DVBT-CI-DECODER

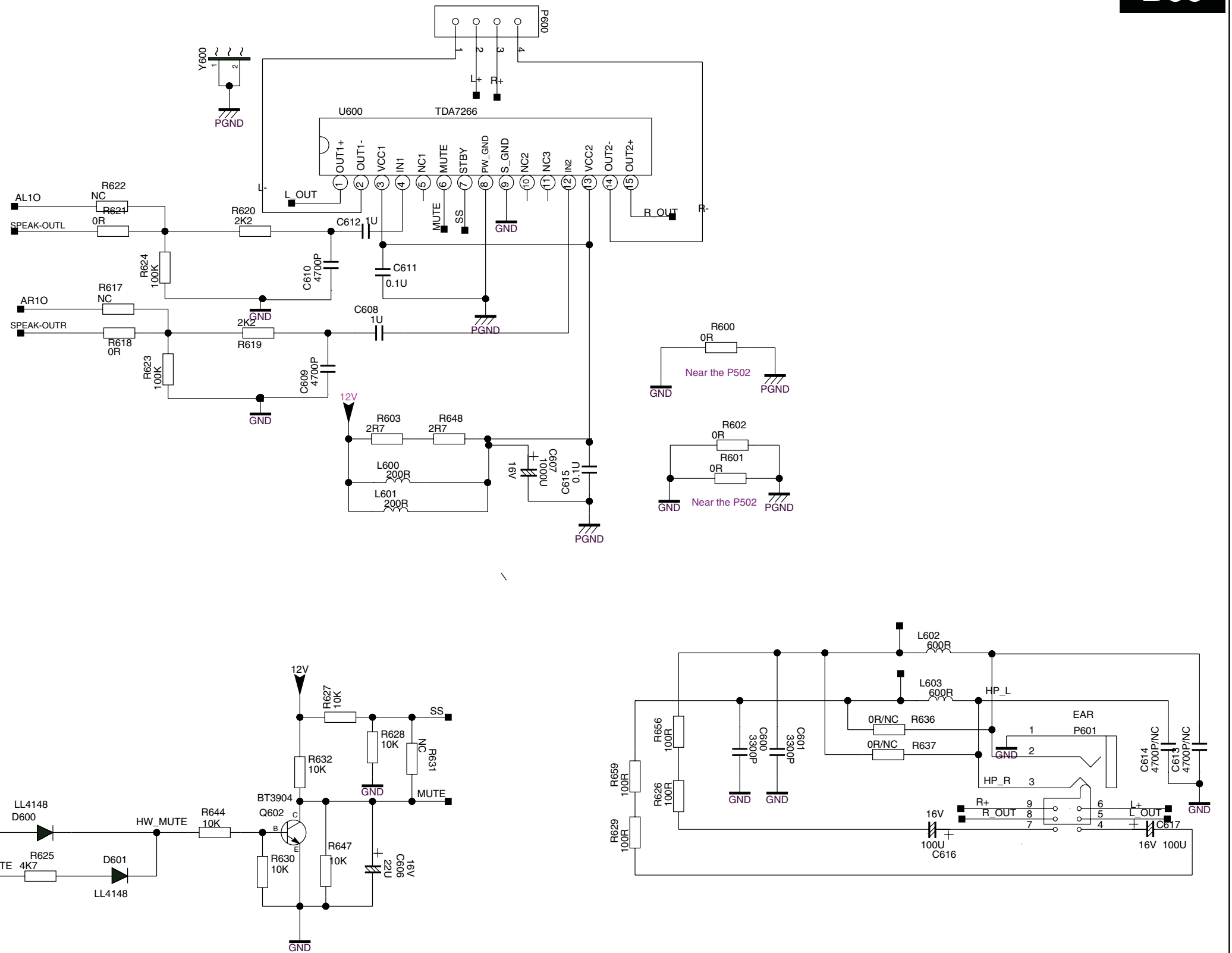
B05



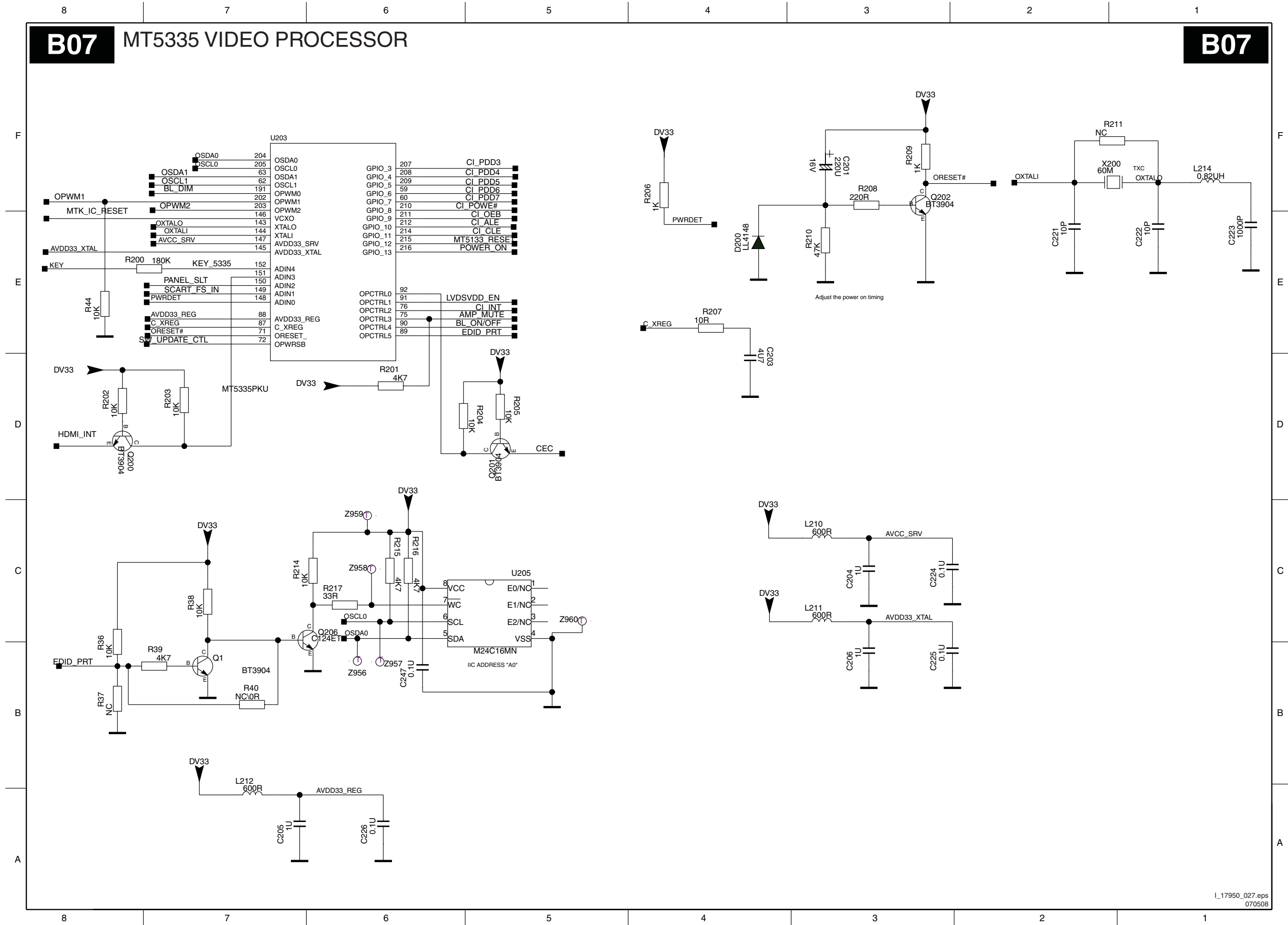
SSB: Audio Amplifier

B06 AUDIO AMPLIFIER

B06



SSB: MT5335 Video Processor

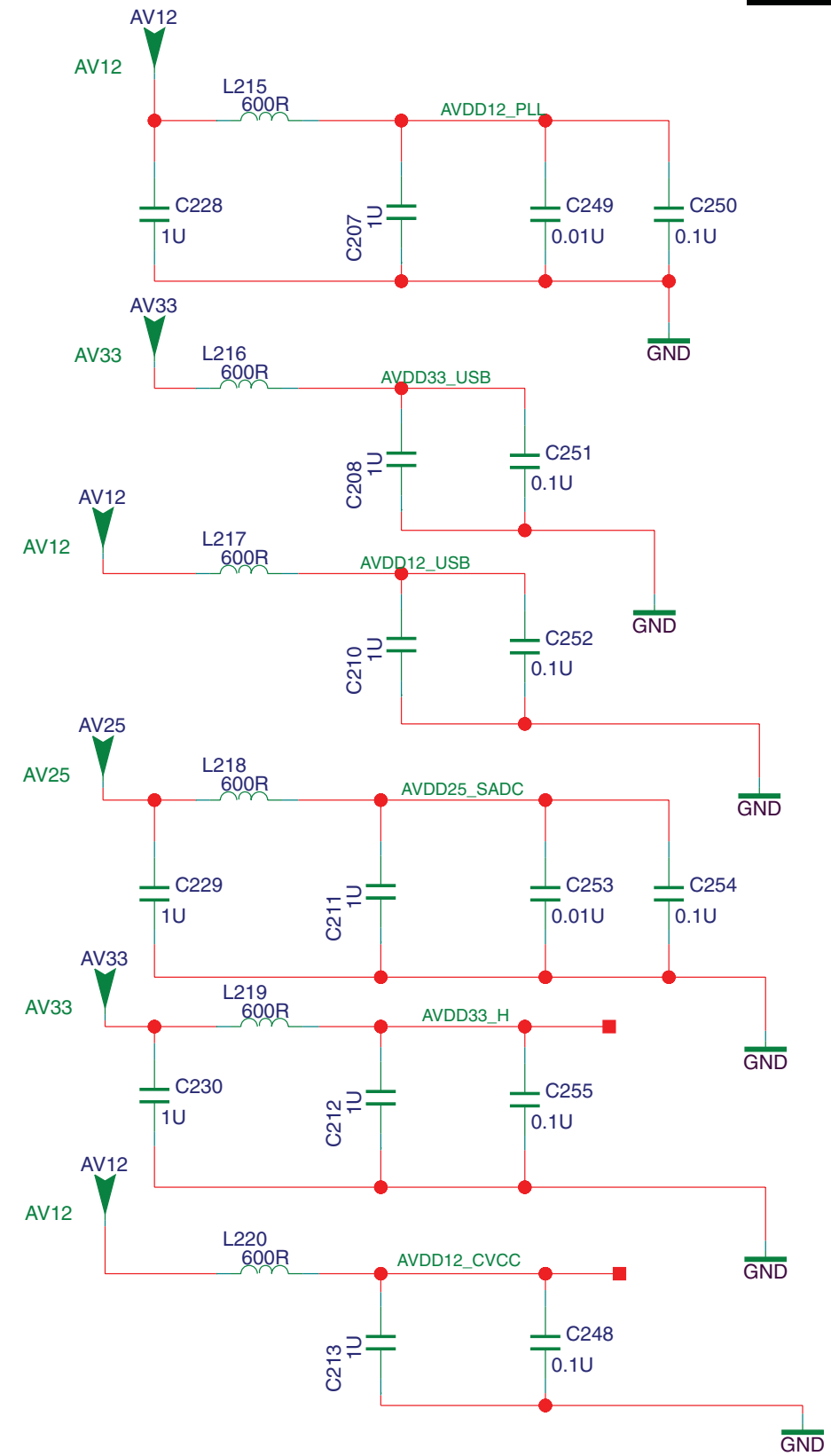
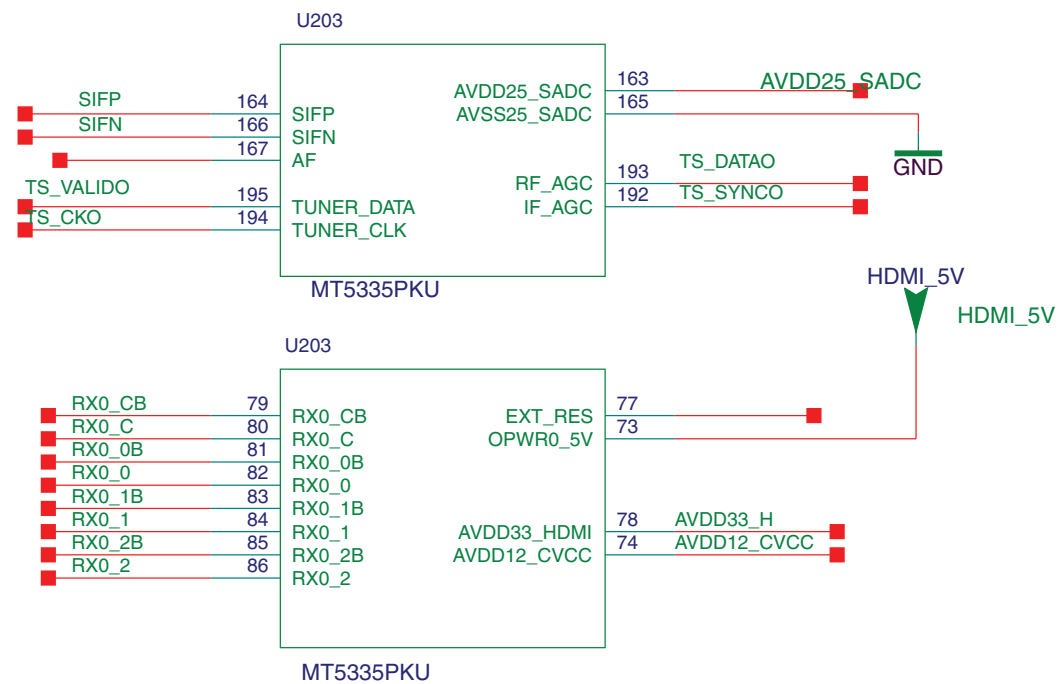
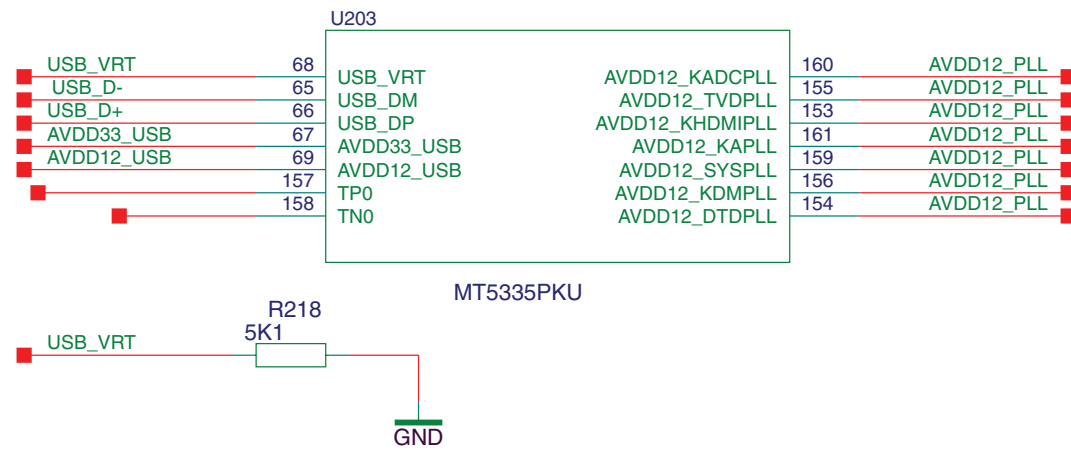


SSB: MT5335 Interface USB/HDMI

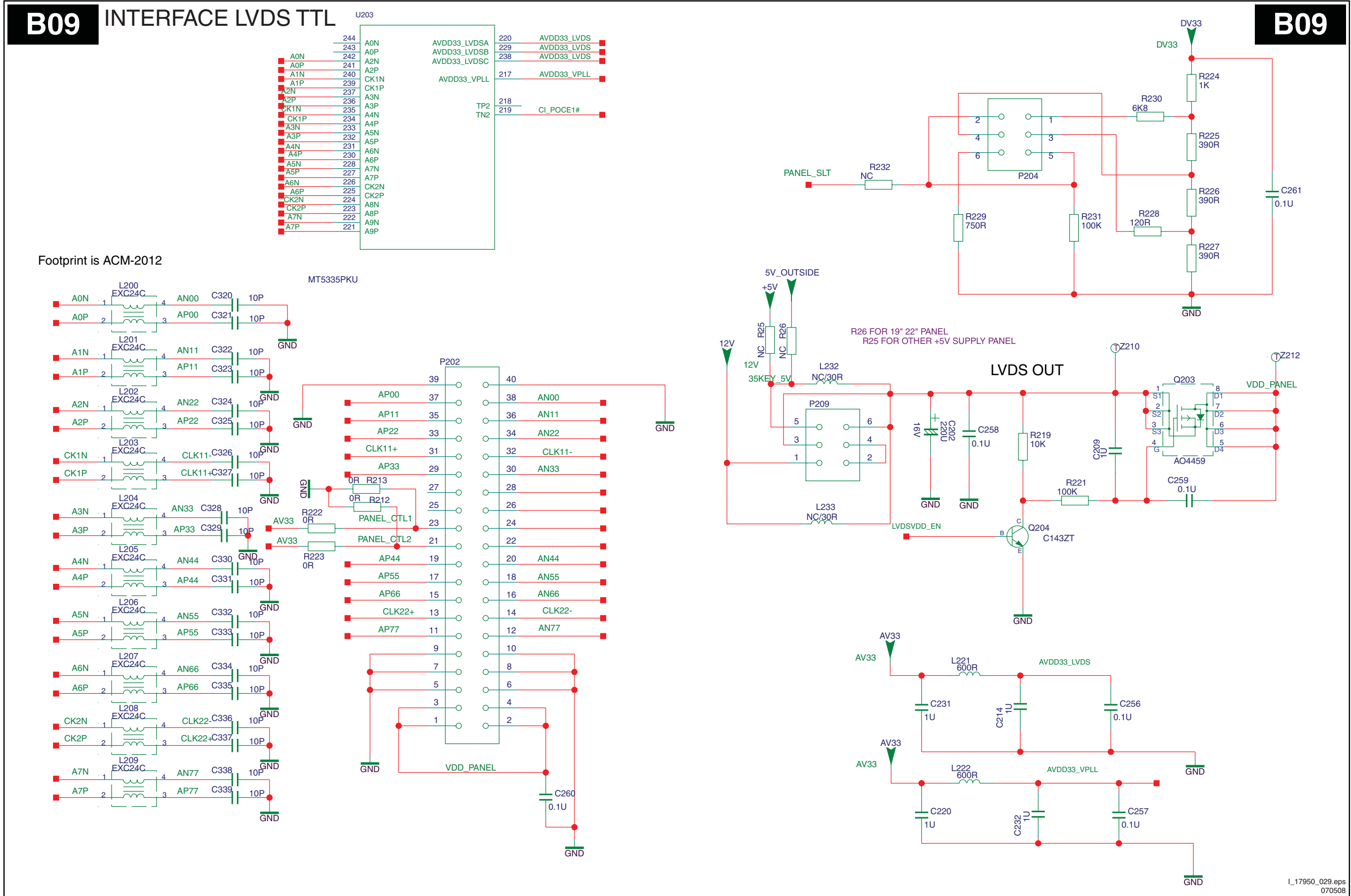
B08

MT5335 INTERFACE - USB, HDMI

B08



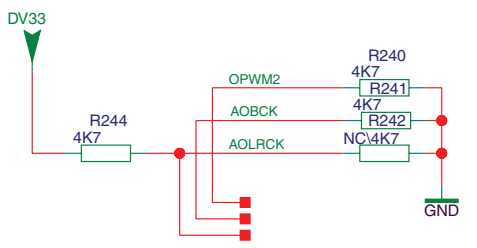
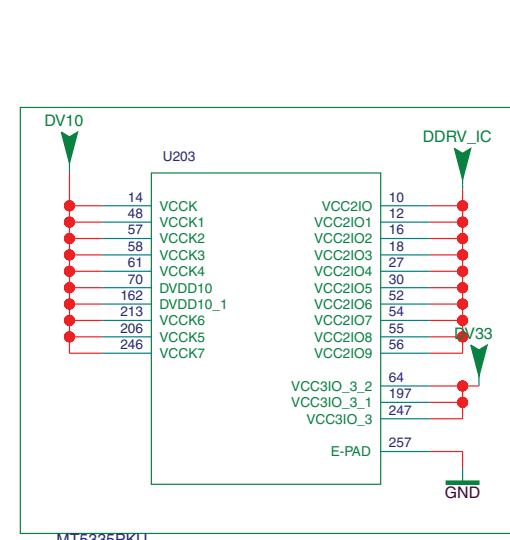
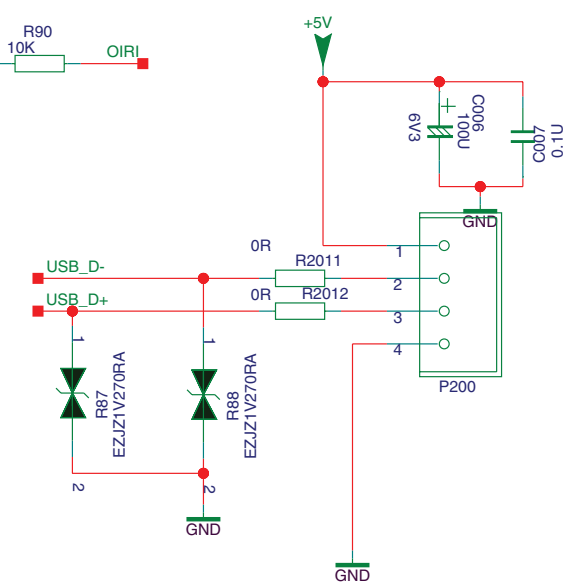
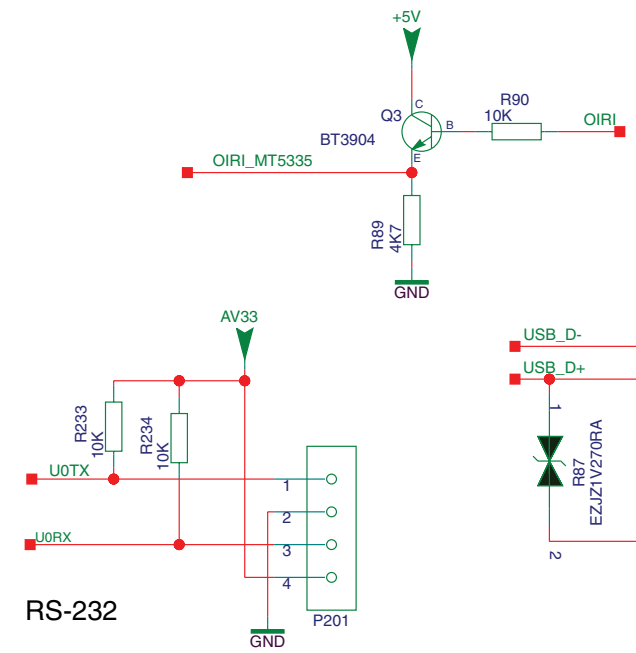
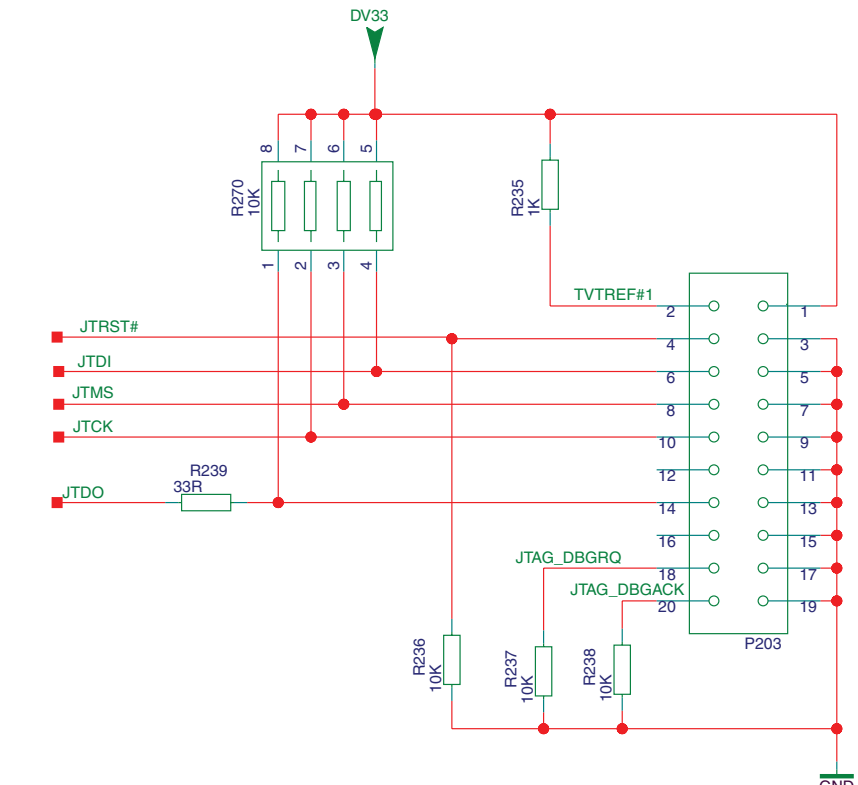
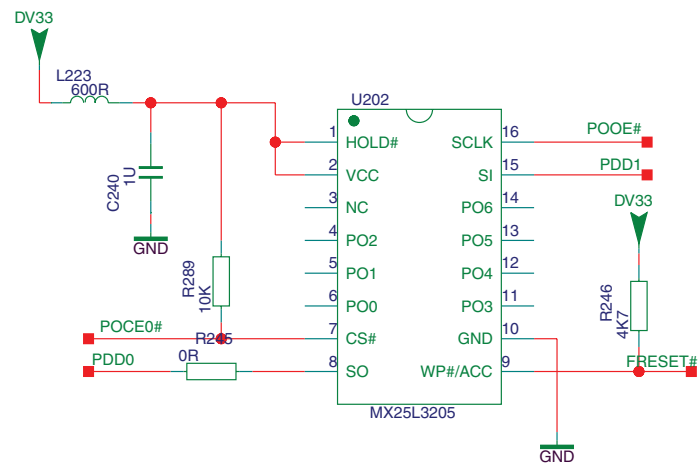
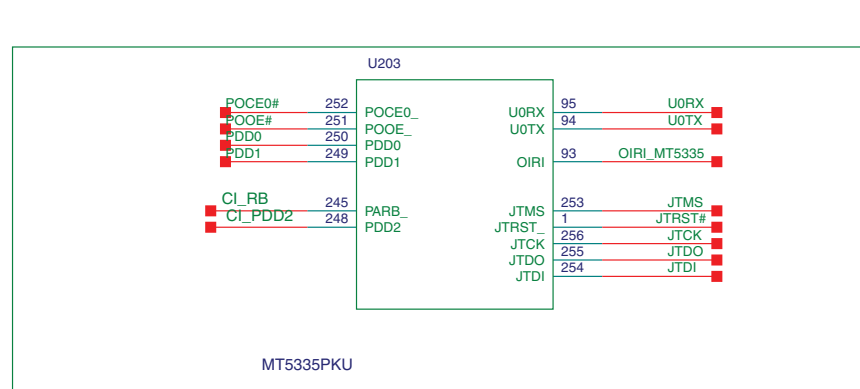
SSB: Interface LVDS TTL



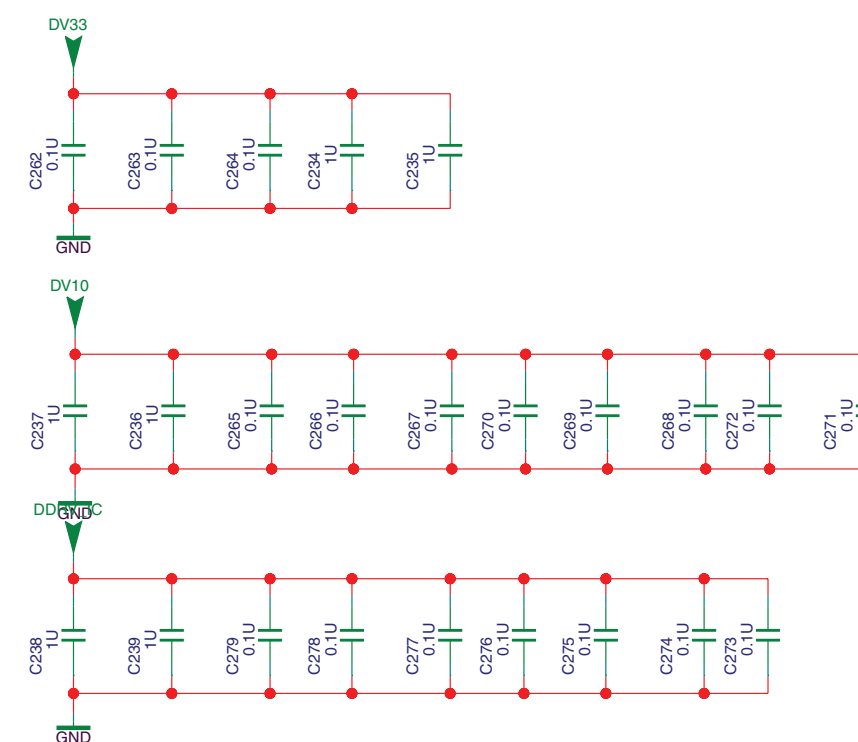
SSB: Flash Memory

B10 FLASH MEMORY

B10



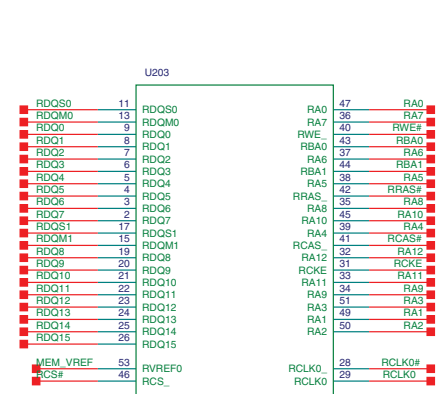
Trap MODE	OPWM2	AOBLK	AOLRCK
NORMAL MODE	0	0	0
ICE MODE	0	0	1
TRAP MODE	OPCTRL5	OPCTRL4	
CORE RESET 1 US	0	1	



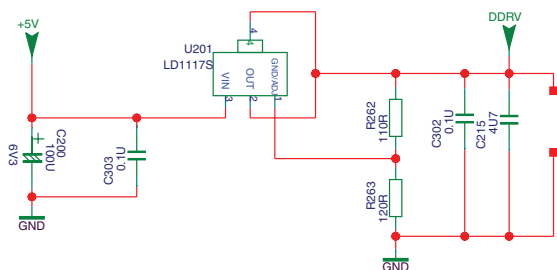
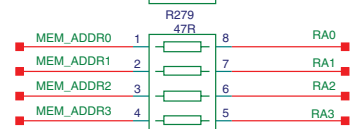
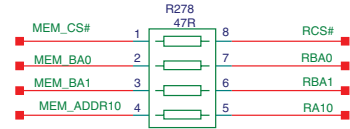
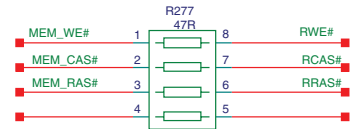
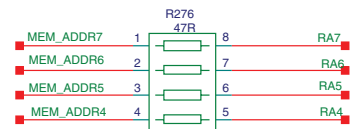
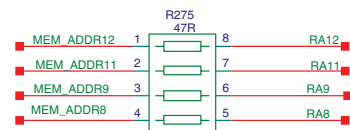
SSB: SDRAM

B11 SDRAM

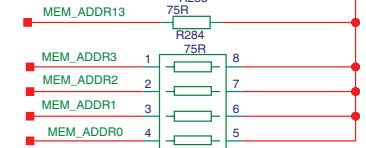
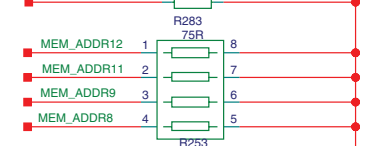
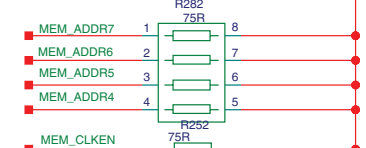
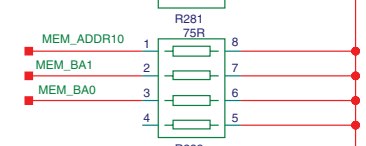
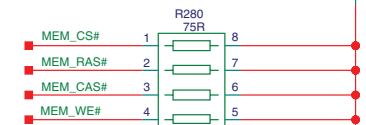
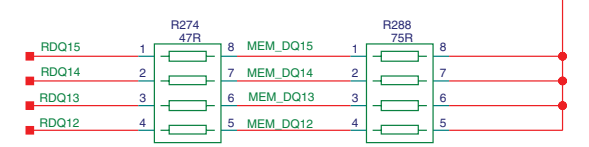
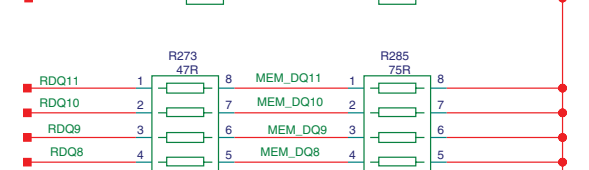
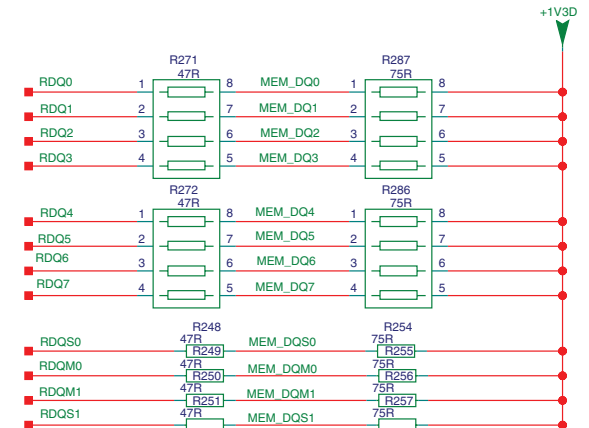
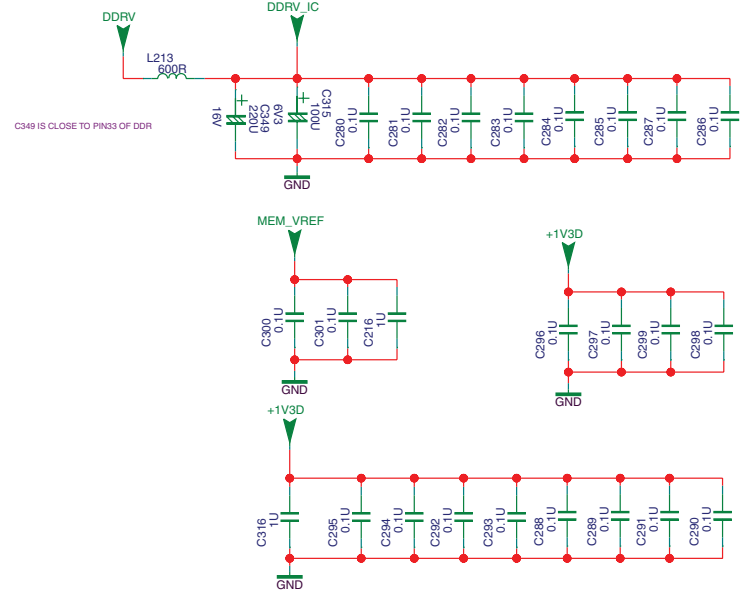
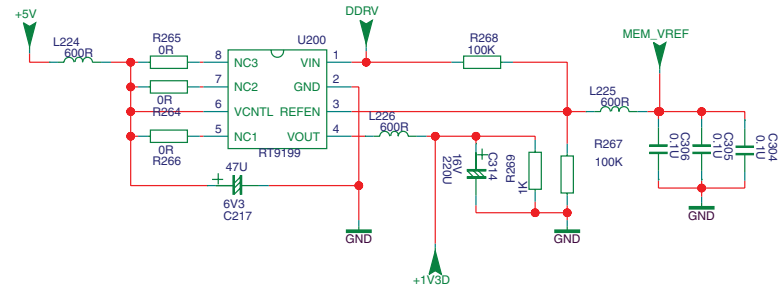
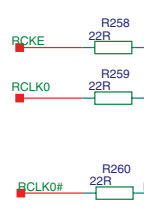
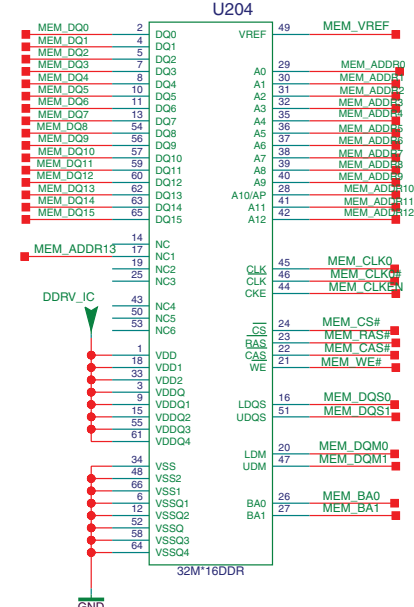
B11



MT5335PKU



$$1.25 \times (1 + 120/110) = 2.6V$$

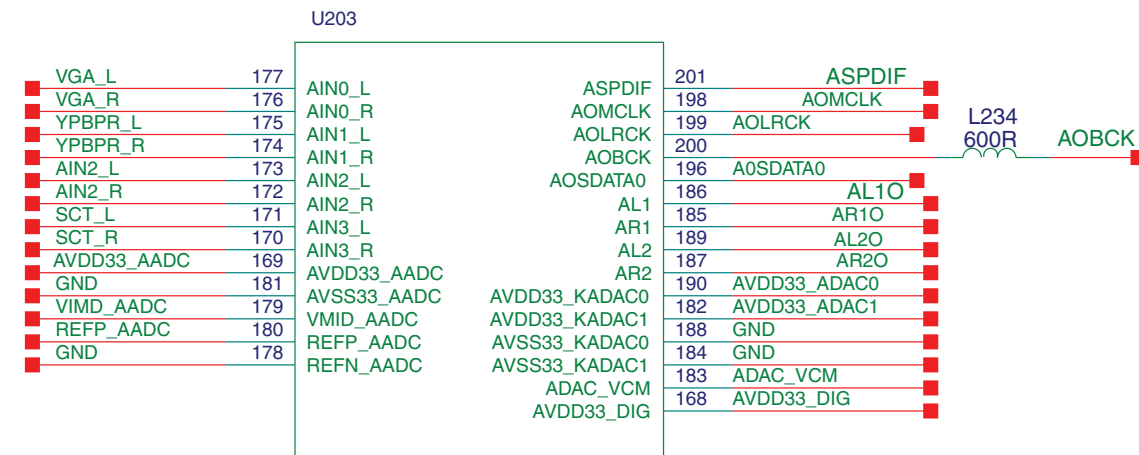


SSB: MT5335 Interface VGA

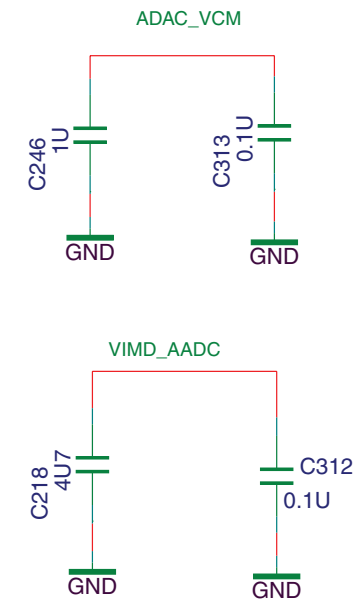
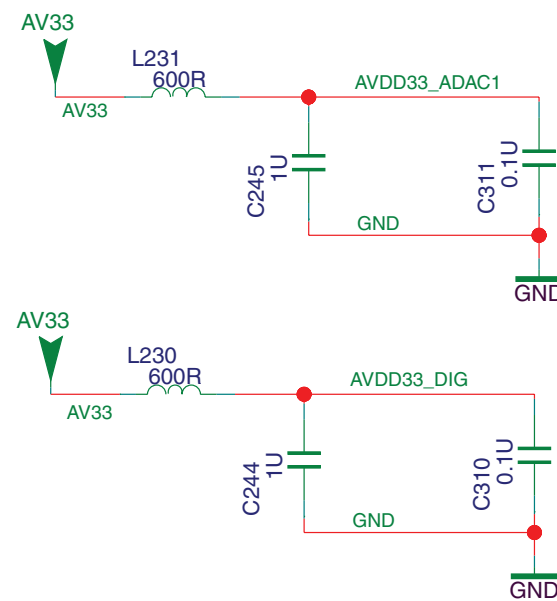
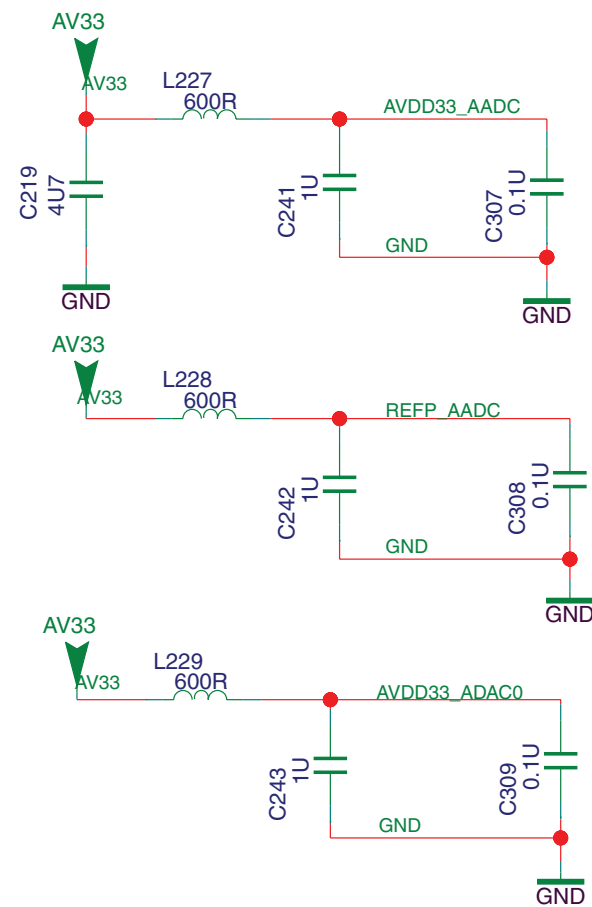
B12

MT5335 INTERFACE - VGA

B12



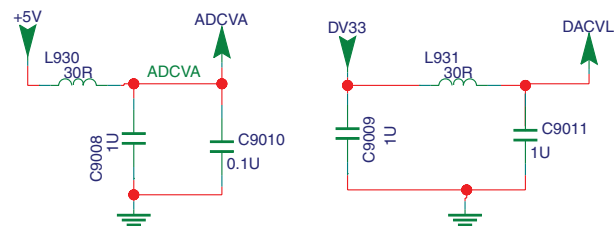
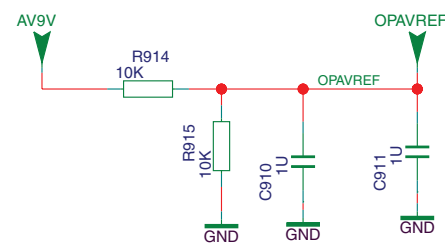
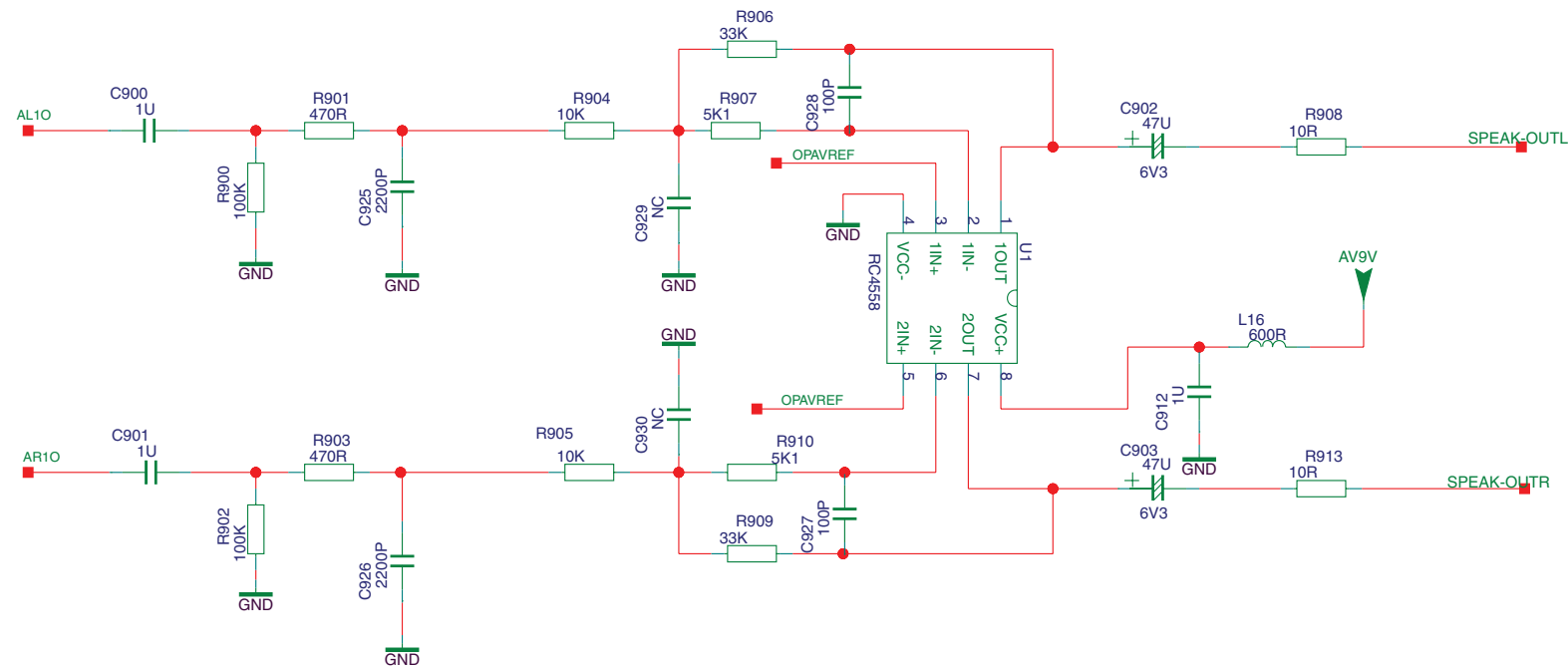
MT5335PKU



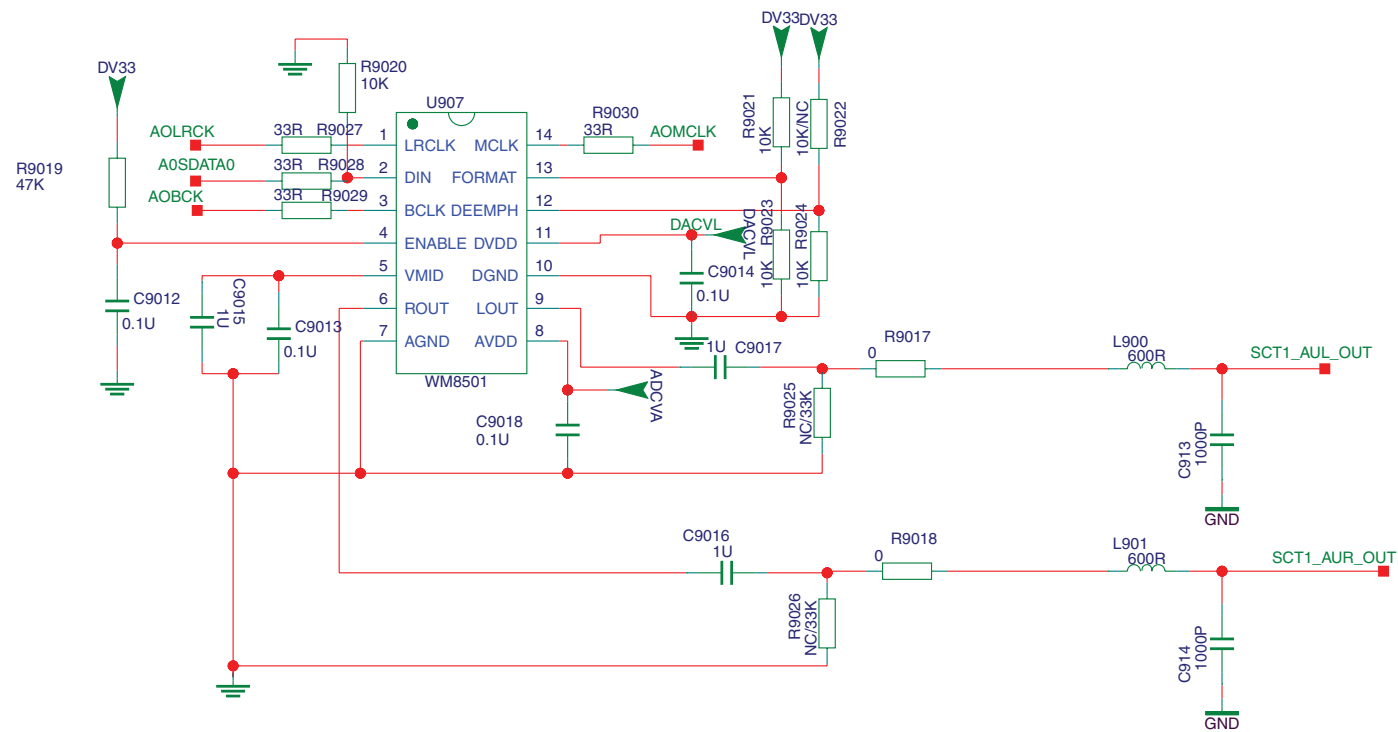
SSB: D/A Converter

B13 DIGITAL-ANALOG-CONVERTER

B13

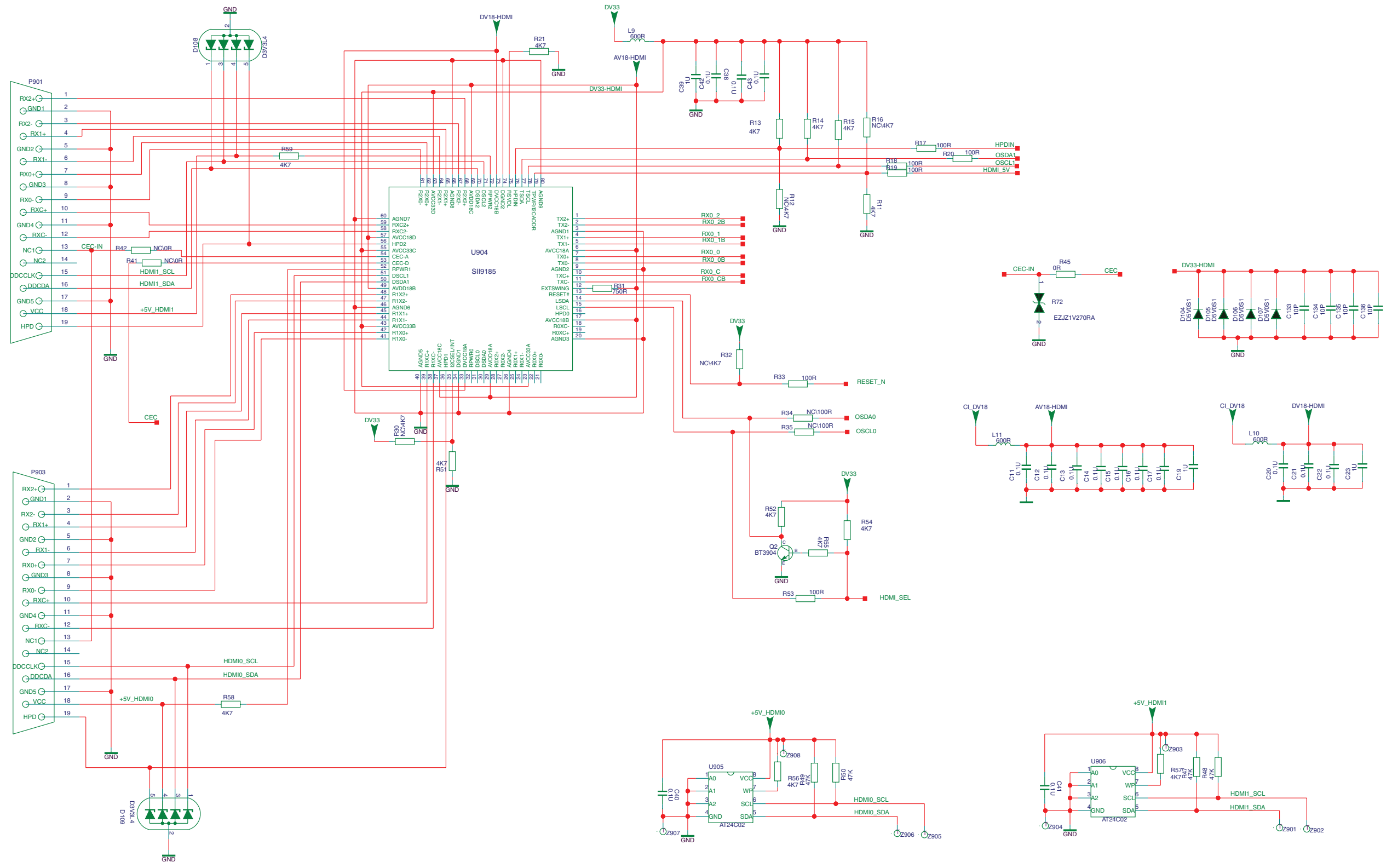


DAC



SSB: HDMI Switch

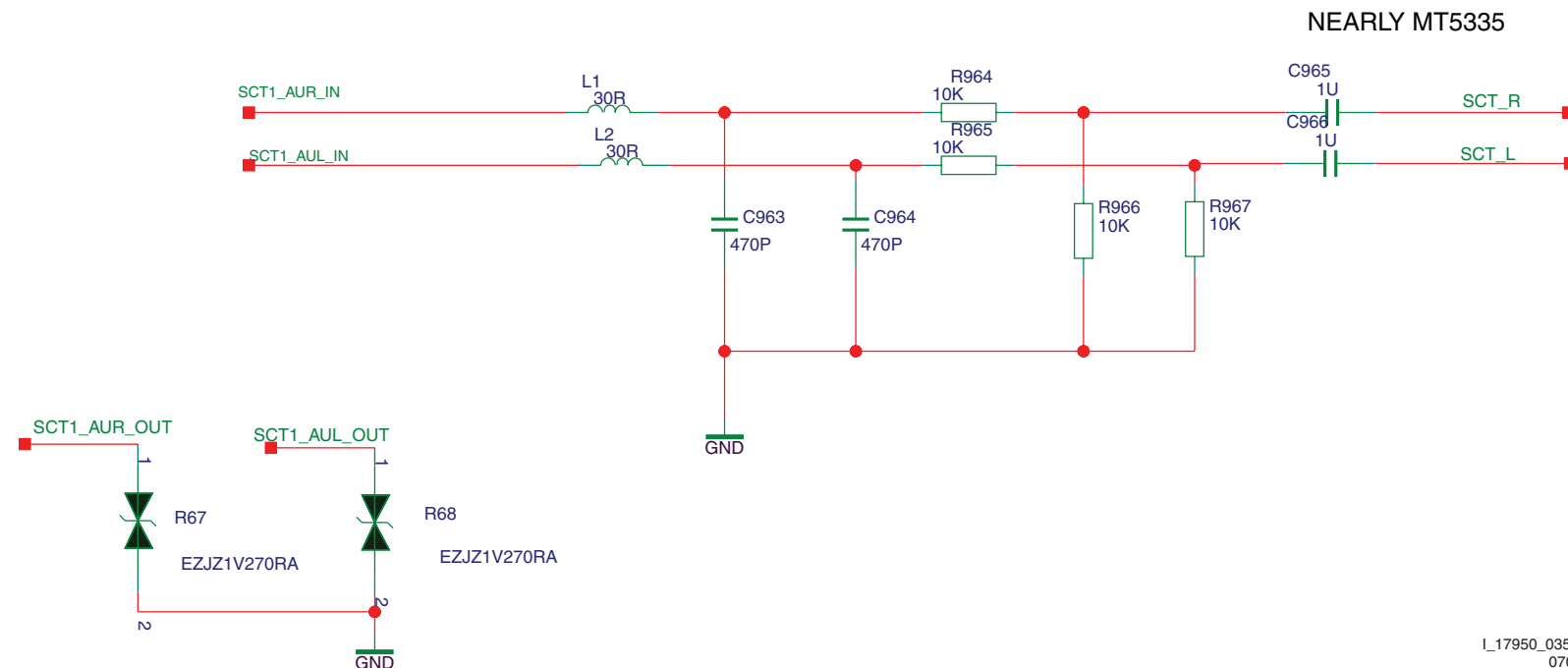
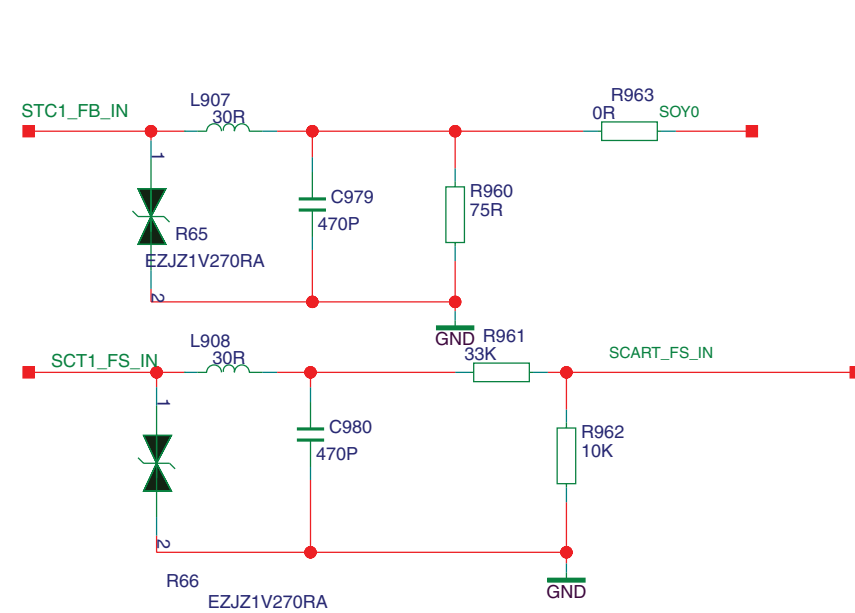
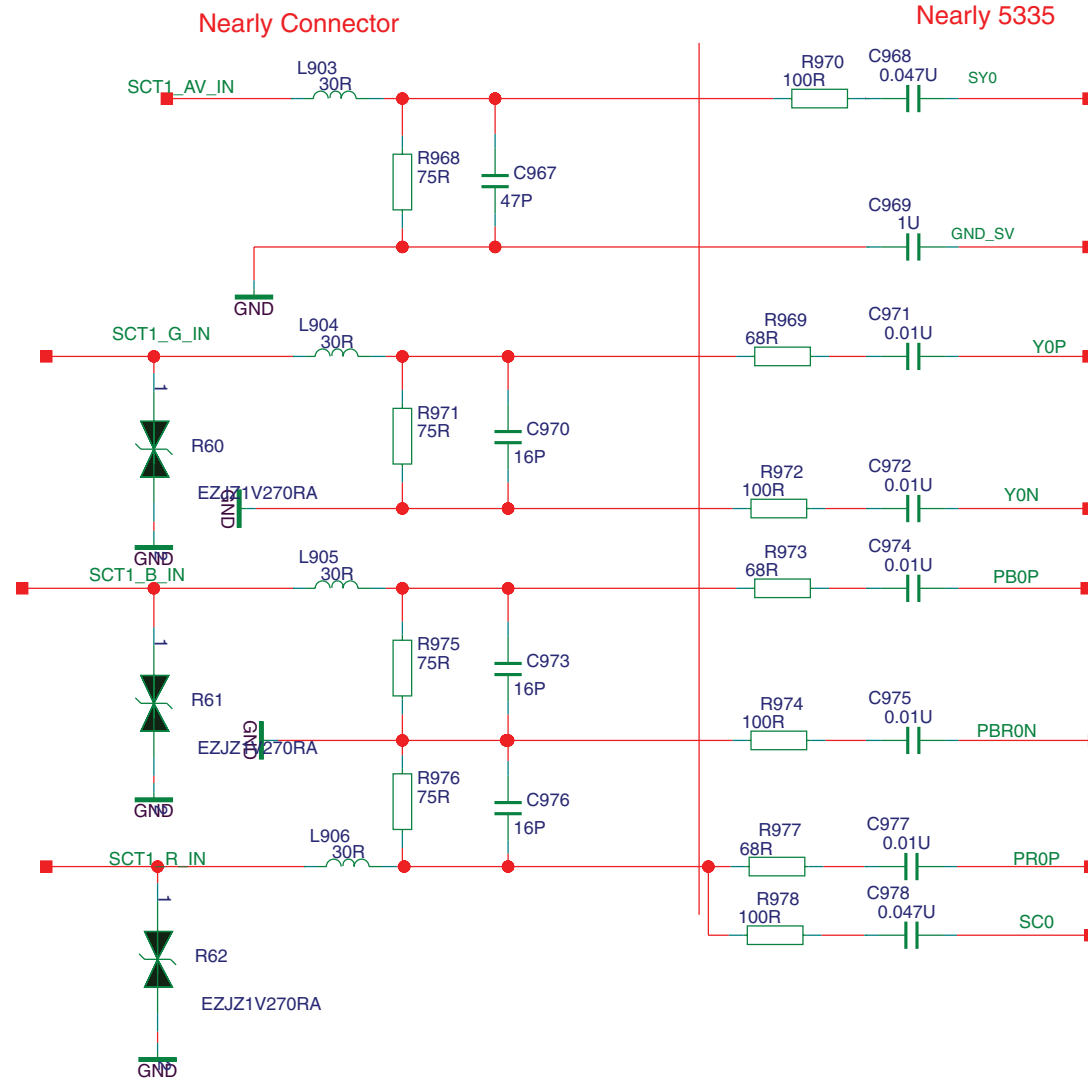
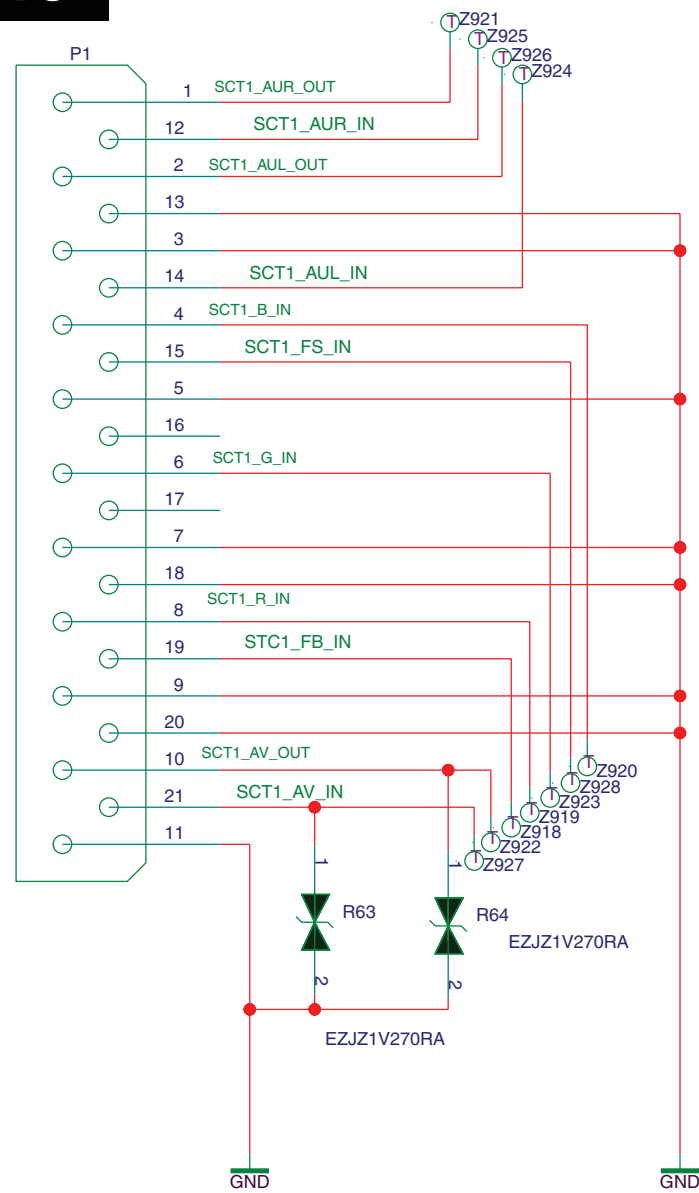
B14 HDMI SWITCH **B14**



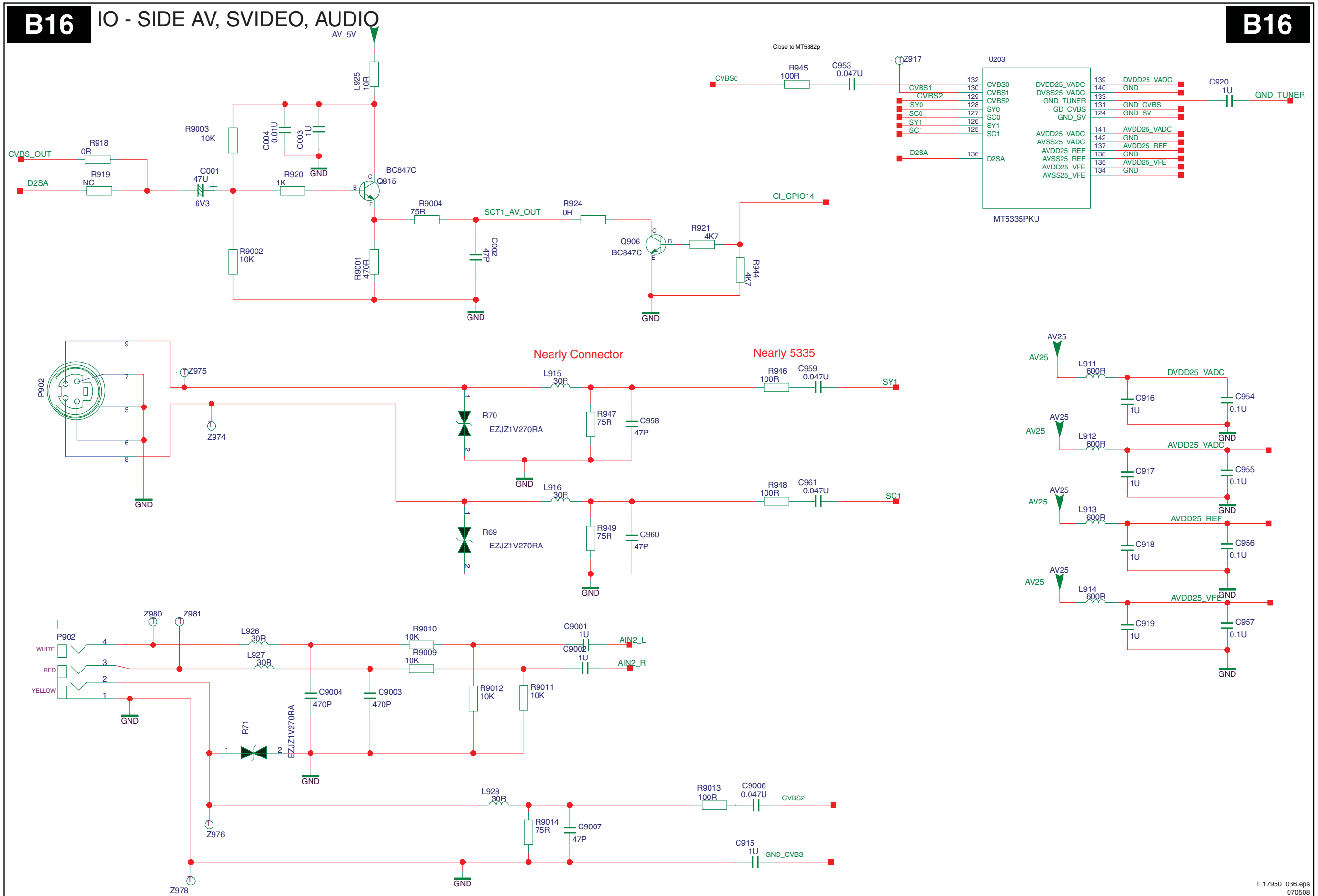
SSB: I/O Scart

B15 IO - SCART

B15



SSB: I/O Side AV, S-Video, Audio



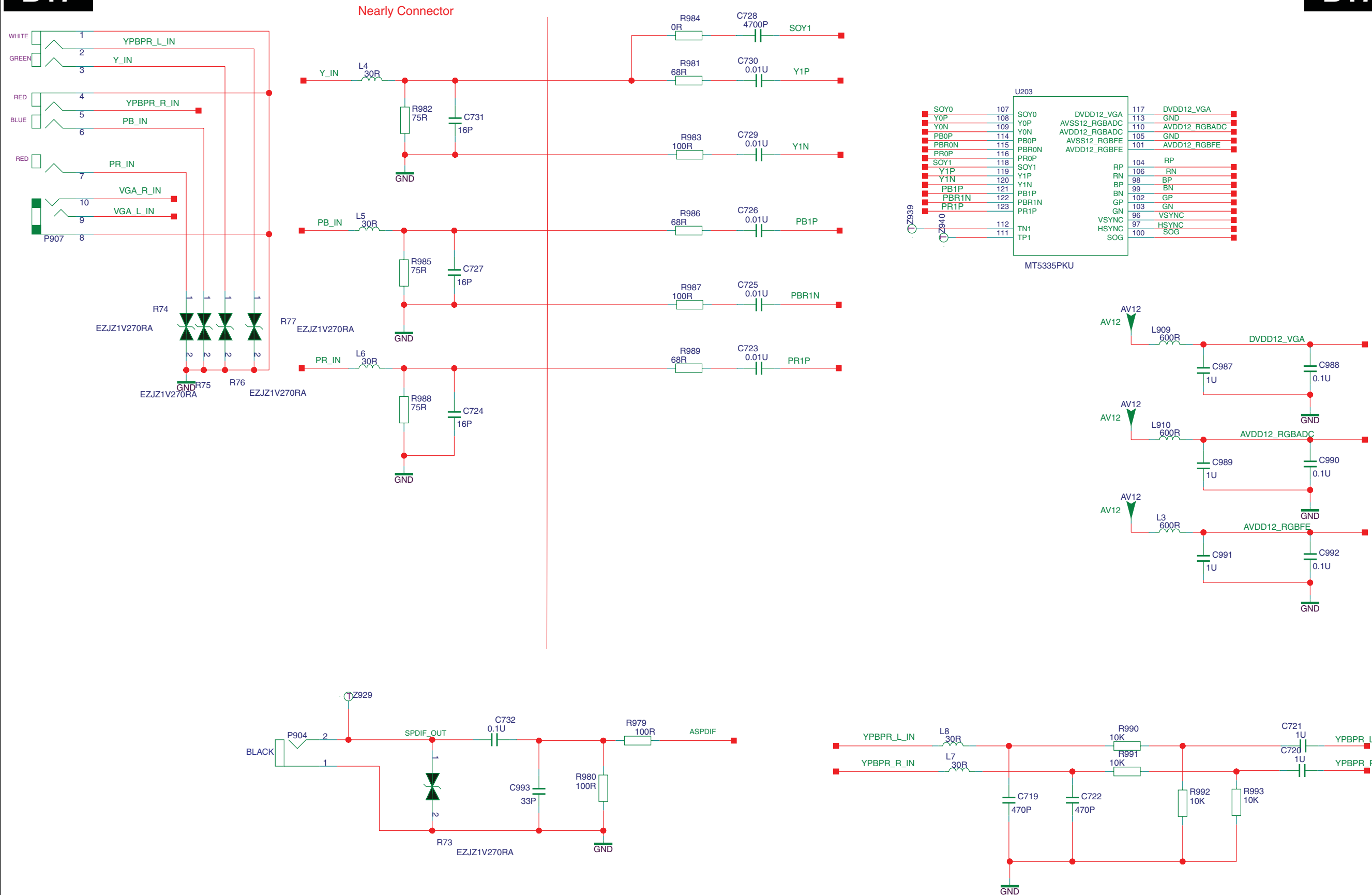
SSB: MT5335 Interface YPbPr & VGA

B17

MT5335 INTERFACE - YPBPR, VGA

Nearly 5335

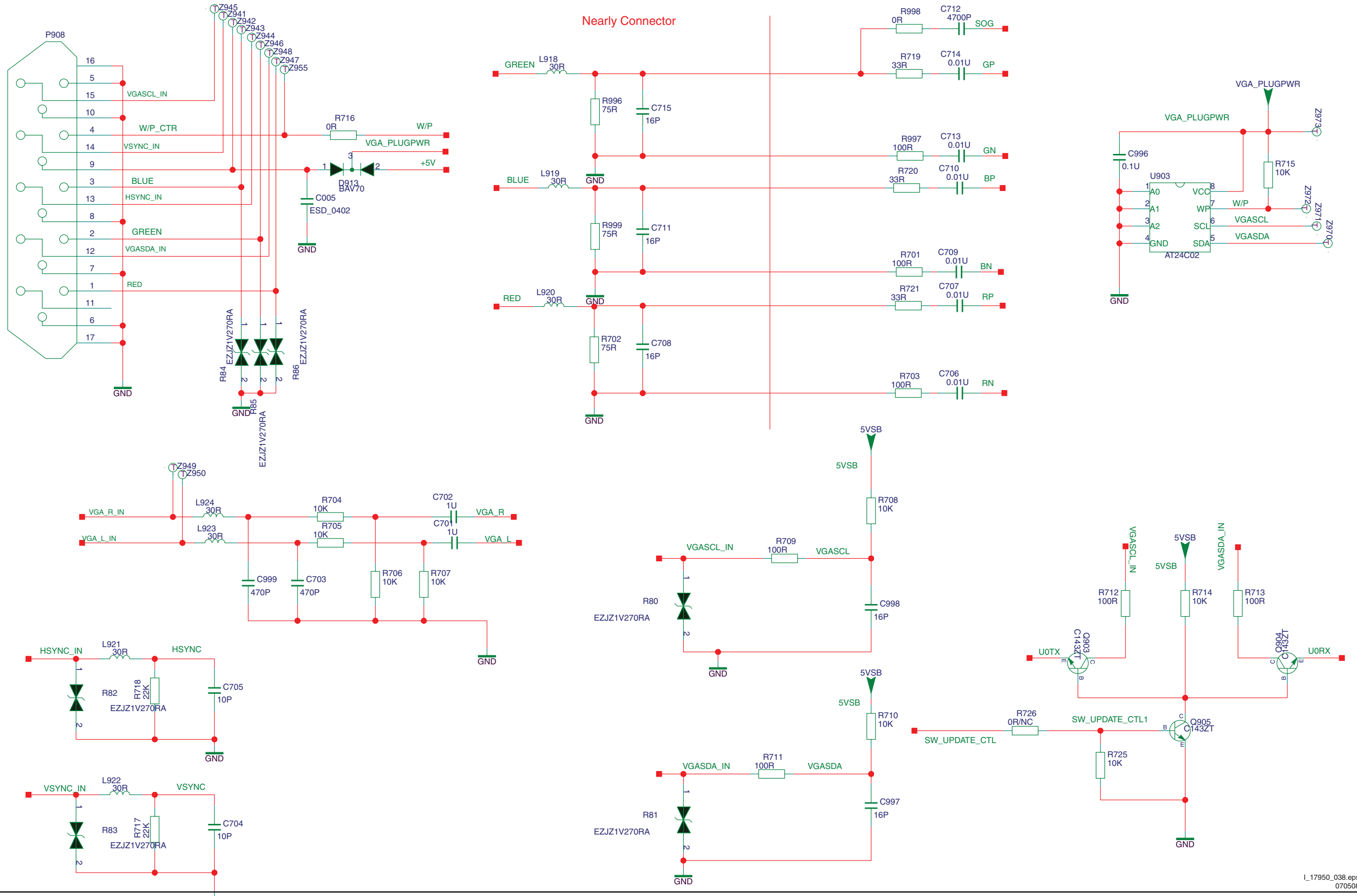
B17



SSB: I/O VGA

B18 IO - VGA

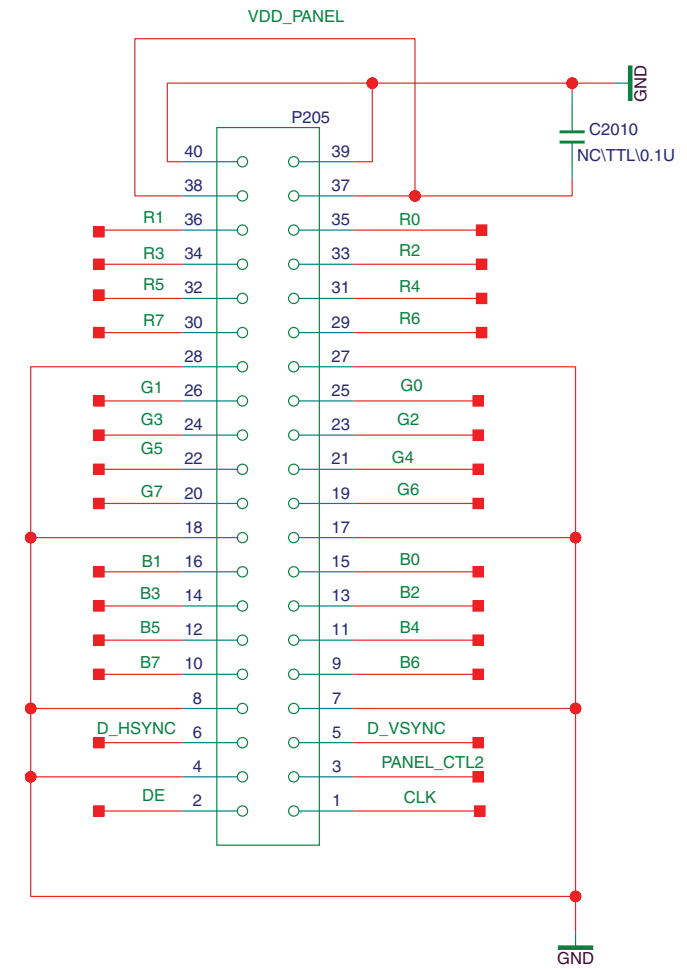
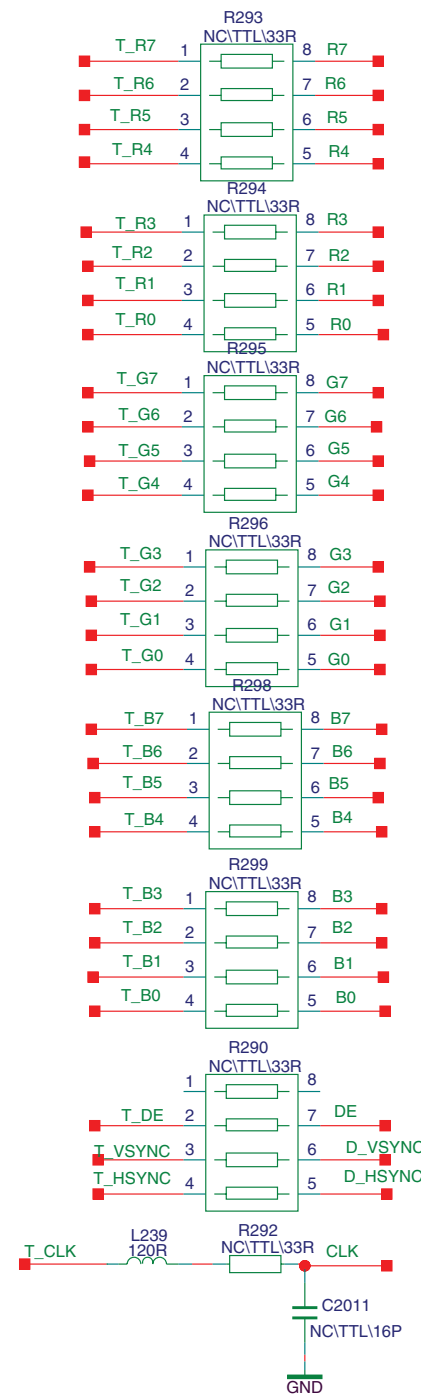
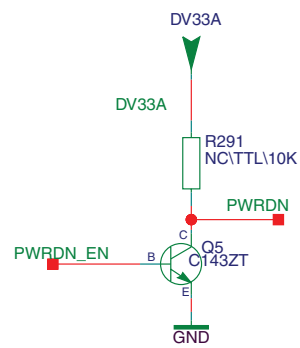
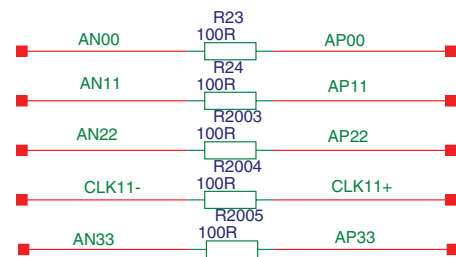
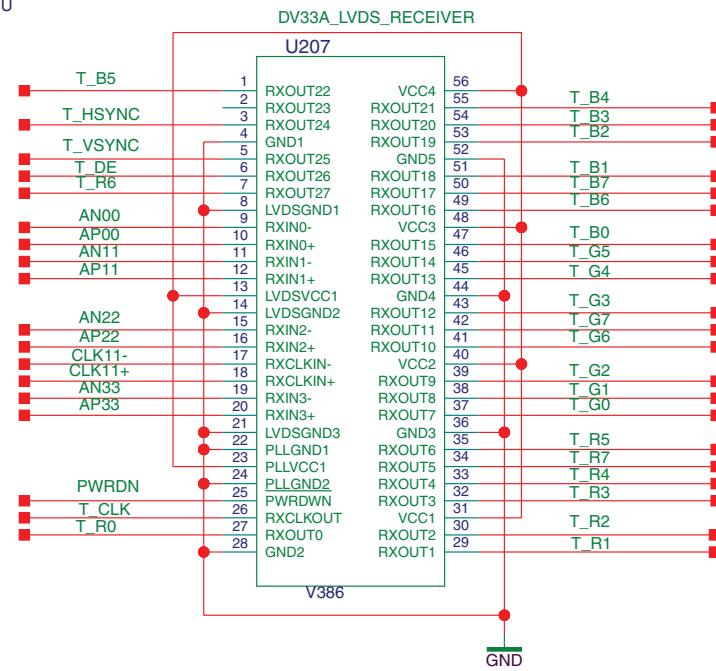
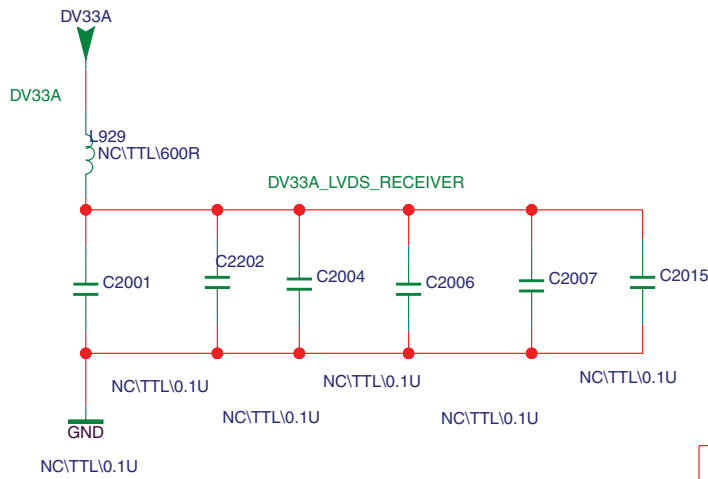
B18



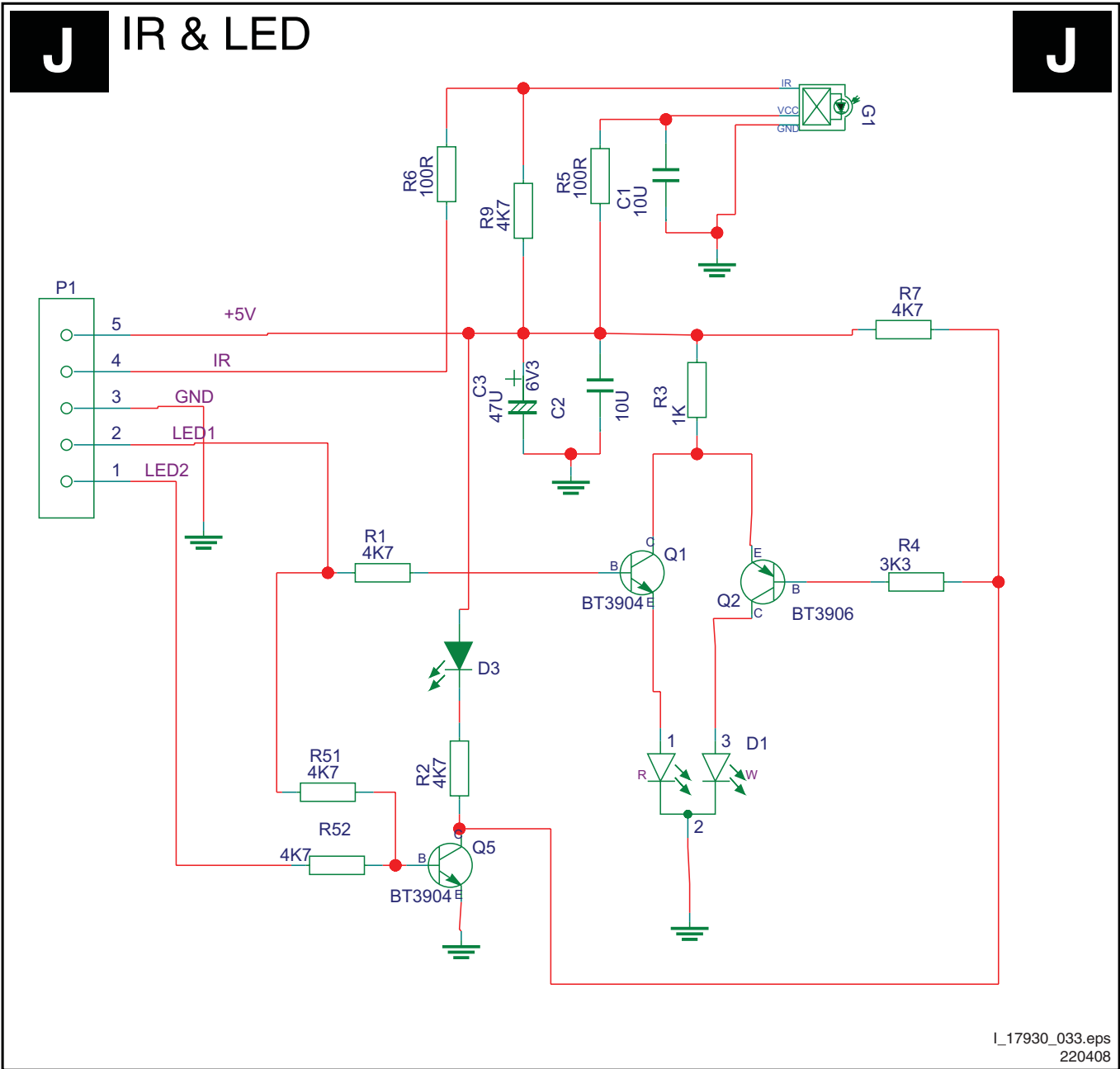
SSB: LVDS Receiver

B19 LVDS RECEIVER

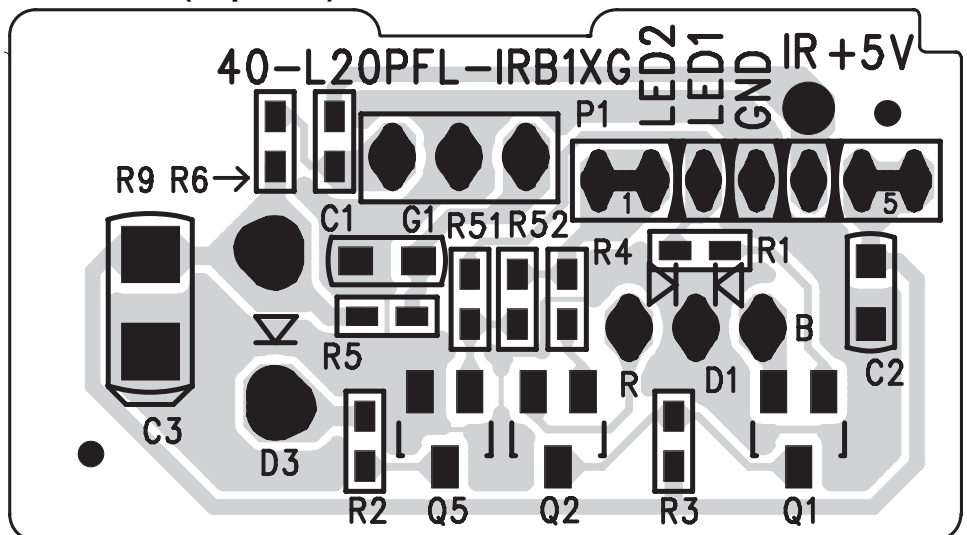
B19



IR LED Panel



Layout IR LED Panel (Top Side)



Personal Notes:
