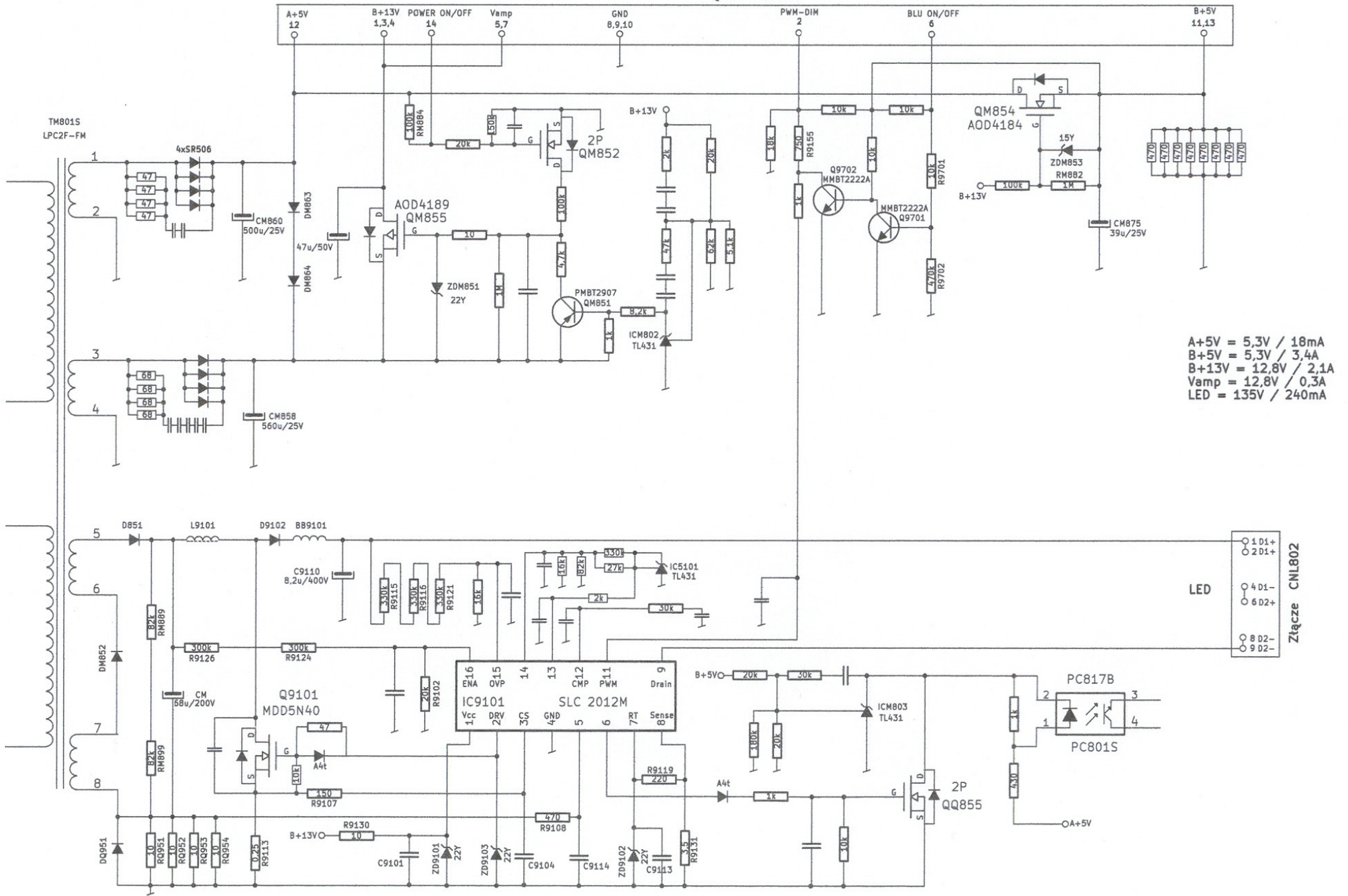


Złącze CNM803



A+5V = 5,3V / 18mA
 B+5V = 5,3V / 3,4A
 B+13V = 12,8V / 2,1A
 Vamp = 12,8V / 0,3A
 LED = 135V / 240mA

File: Zasilacz.BN44-00501A - fragment.sch

Sheet: /

Title:

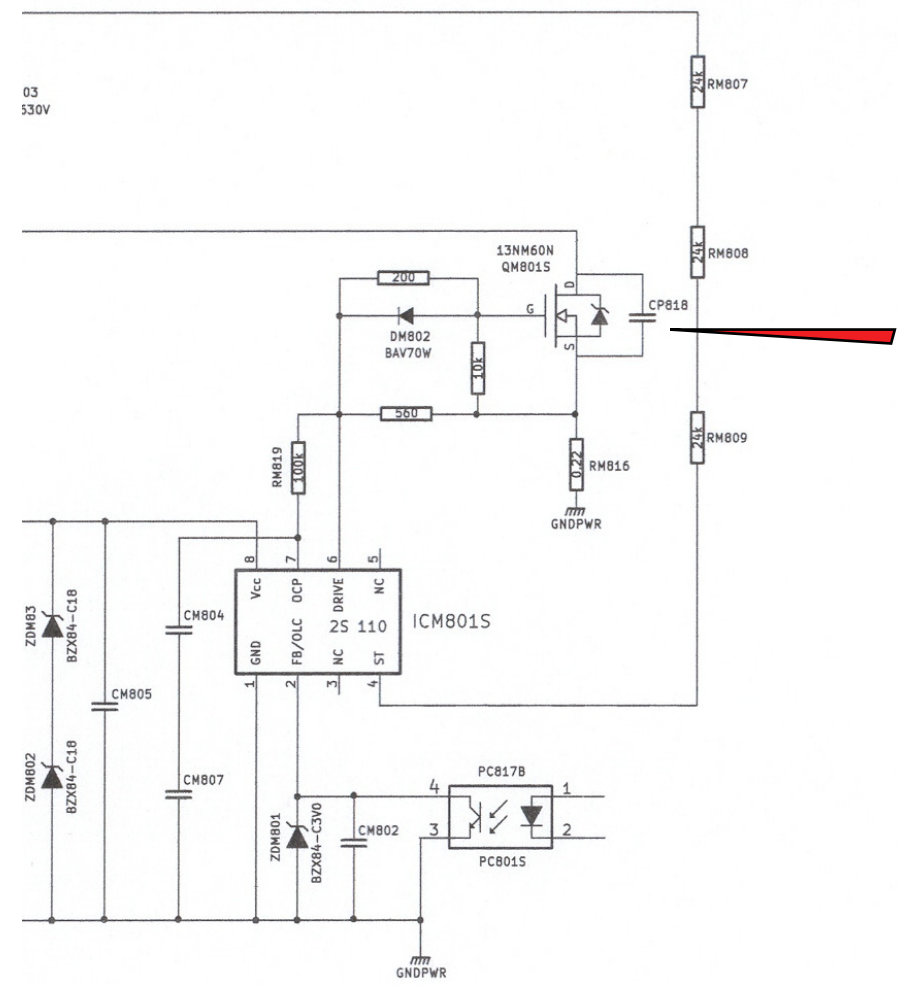
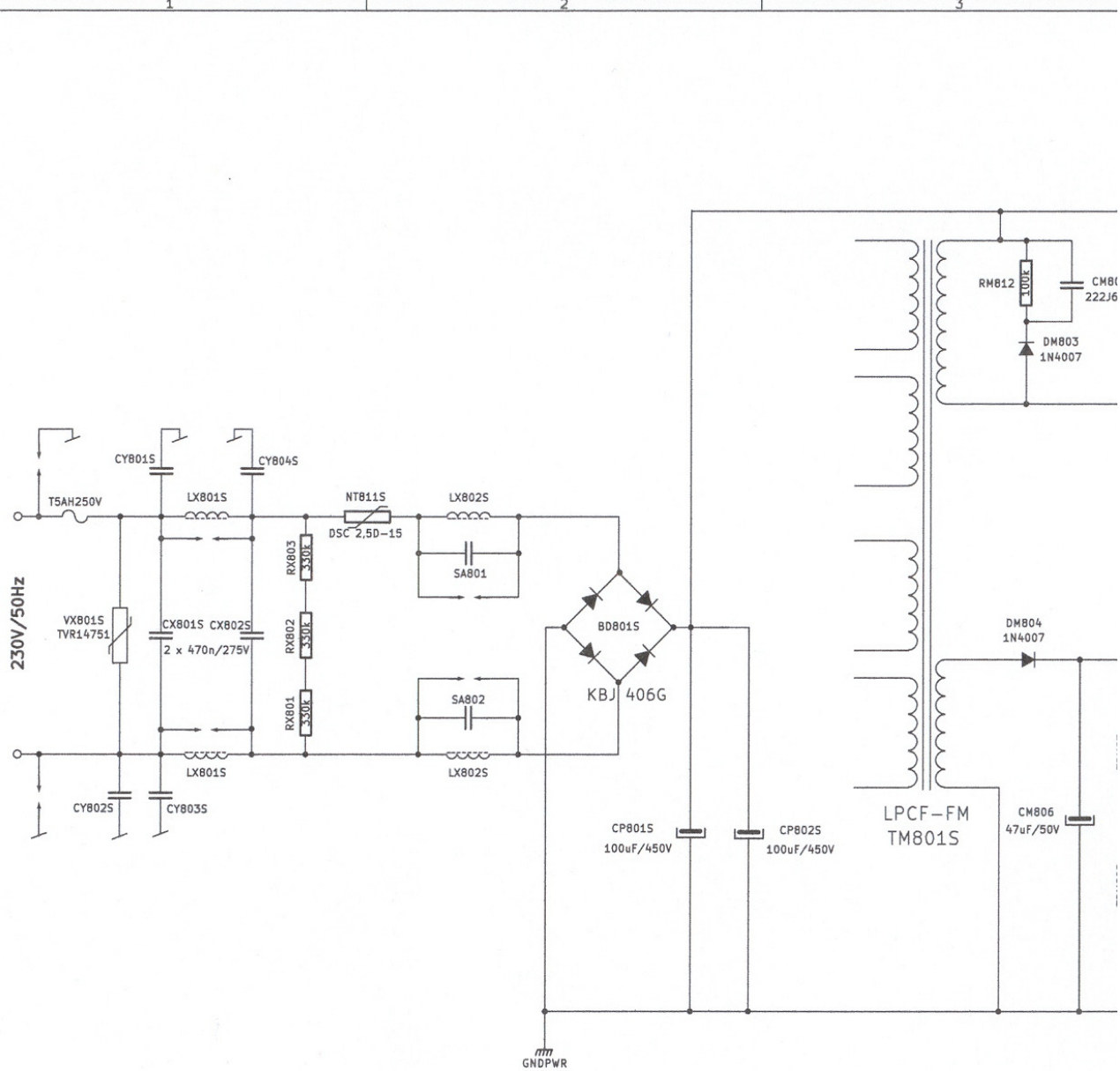
Size: A4

Date: 30 jun 2015

Rev:

KiCad E.D.A. eeschema (2013-07-07 BZR 4022)-stable

Id: 1/1



File: Zasilacz BN44-00501A - fragment2.sch		
Sheet: /		
Title: noname.sch		
Size: A4	Date: 22 jun 2015	Rev:
KICad E.D.A. eeschema (2013-07-07 BZR 4022)-stable		Id: 1/1