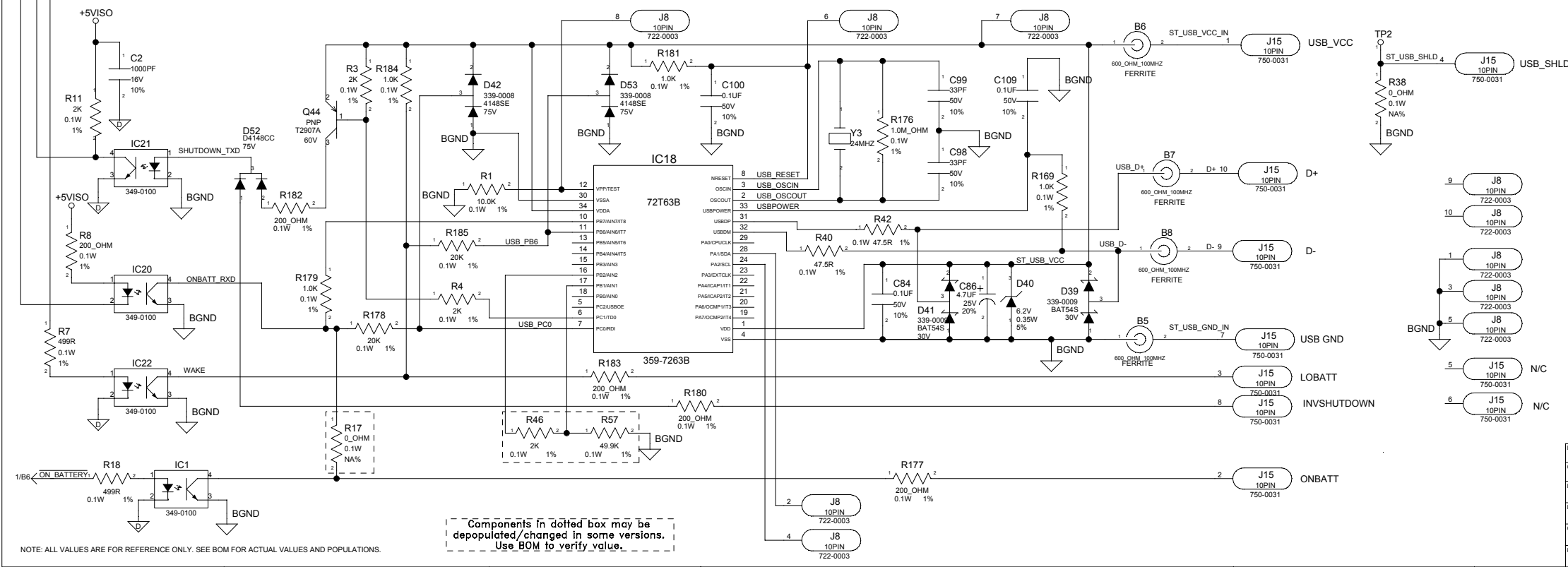
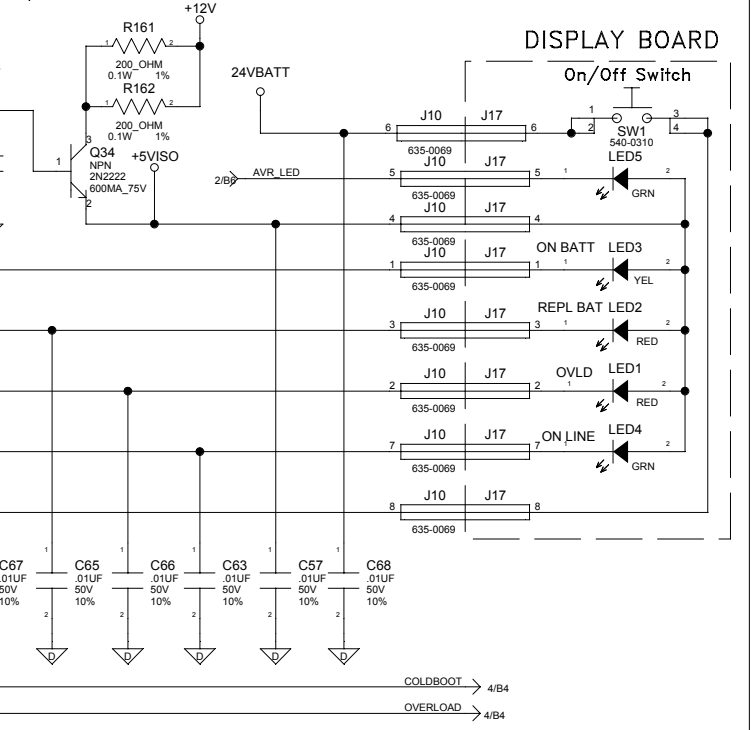
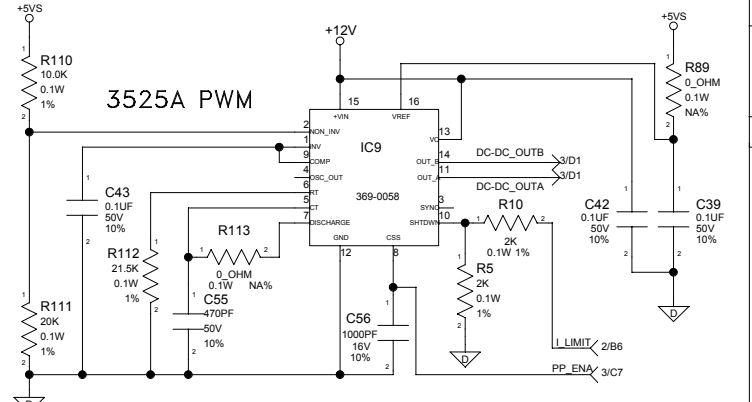
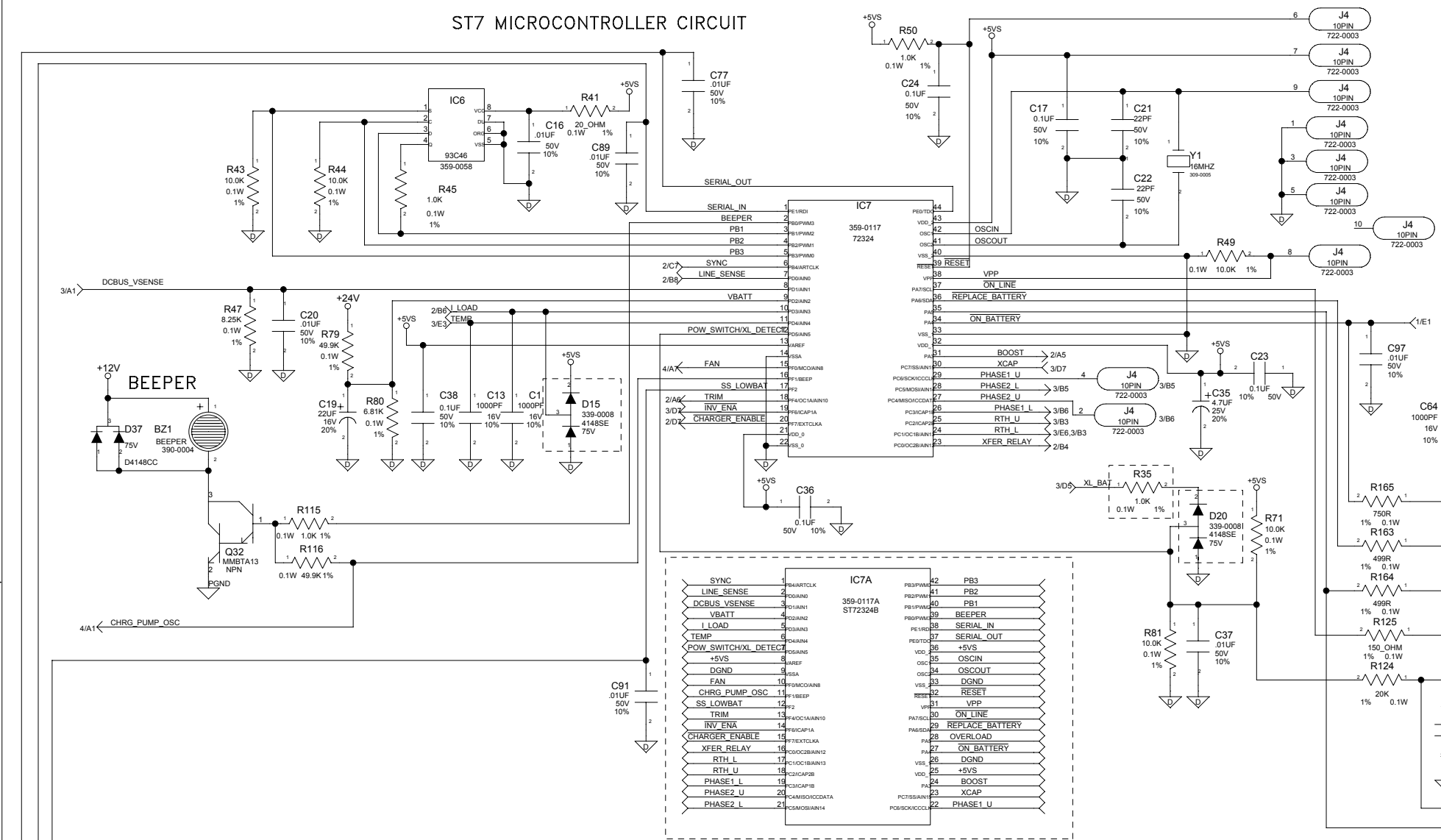



### ST7 MICROCONTROLLER CIRCUIT



Components in dotted box may be depopulated/changed in some versions. Use BOM to verify value.

REV	ECO	DESCRIPTION	DWN	CHK	APPL	DATE
05		CHANGES DOCUMENTED IN PCB REVISIONS .J8	GWL	PRIC	JD	09/04/03
04		CHANGES DOCUMENTED IN PCB REVISIONS .J8	GWL	PRIC	JD	07/01/03
03		CHANGES DOCUMENTED IN PCB REVISIONS .J8	GWL	PRIC	JD	10/16/02
02		CHANGES DOCUMENTED IN PCB REVISIONS .J8	GWL	PRIC	JD	08/30/02
01		CHRG. LINE CORD DISCHRG. VAL CHNGS	GWL	PRIC	JD	05/10/02

DRAWN NP/PJ/GL	DATE 04/24/02	 AMERICAN POWER CONVERSION	REV: E/B FILE NAME: 640-0253E_REV05 SHEET 1 OF 4
CHECKED			
ENGINEER NP/DR/MC	DATE 04/24/02	SCHEMATIC TITLE: SCHEMATIC, CERRO TORRE	
ENG MGR JD	DATE 04/24/02	MODEL#:	
QUALITY:		4	
PRODUCTION		05	

**INPUT SURGE PROTECTION**

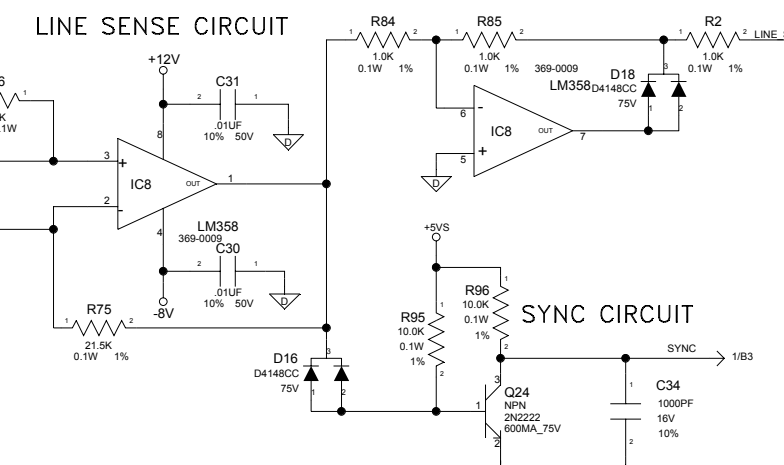
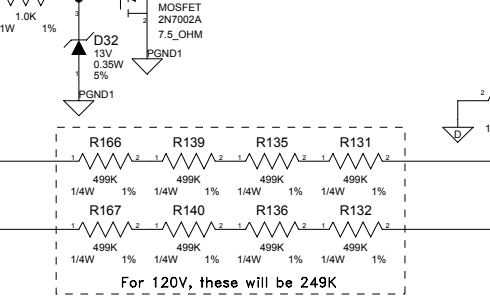
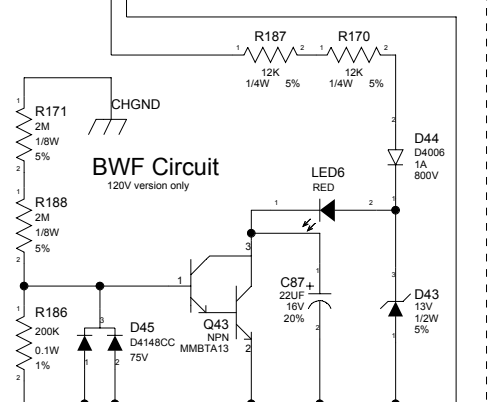
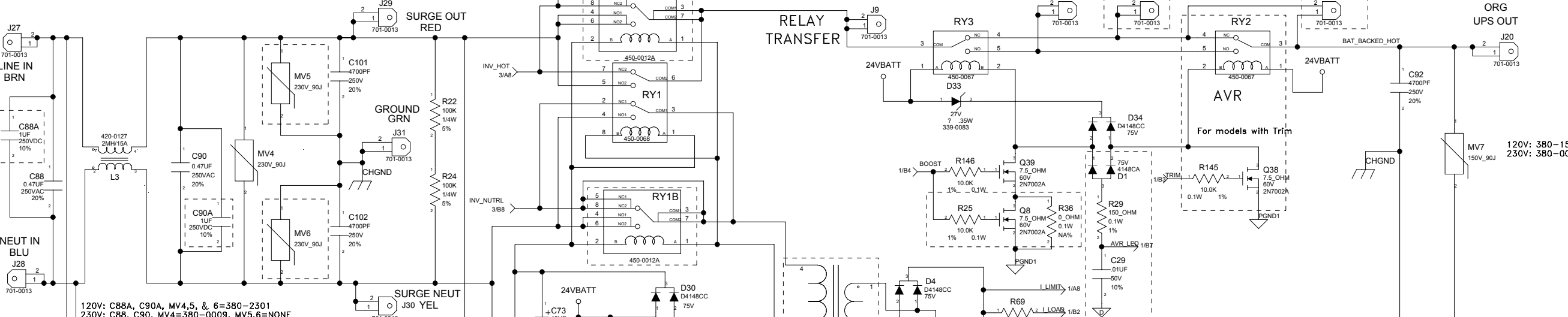
**TO SURGE-ONLY HOT**

**RELAY TRANSFER**

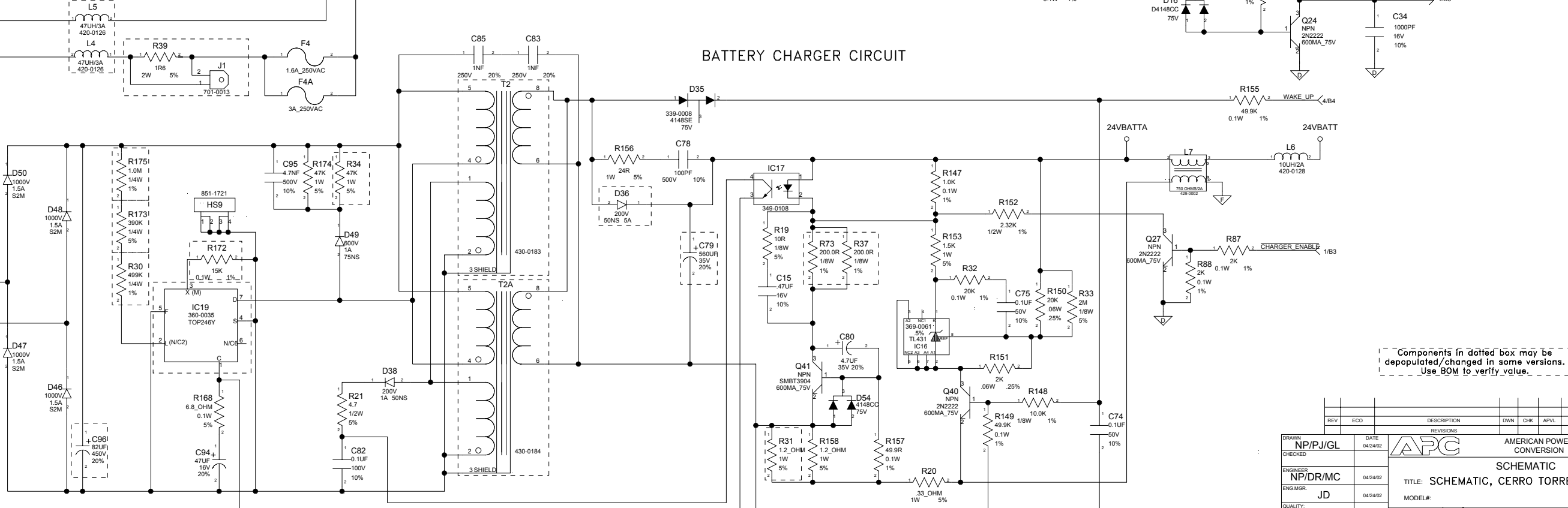
**AVR HOT RED**

**J13 OR J13A AVR BOOST BLK**

**TO BATTERY-BACKED HOT**



**BATTERY CHARGER CIRCUIT**



Components in dotted box may be depopulated/changed in some versions. Use BOM to verify value.

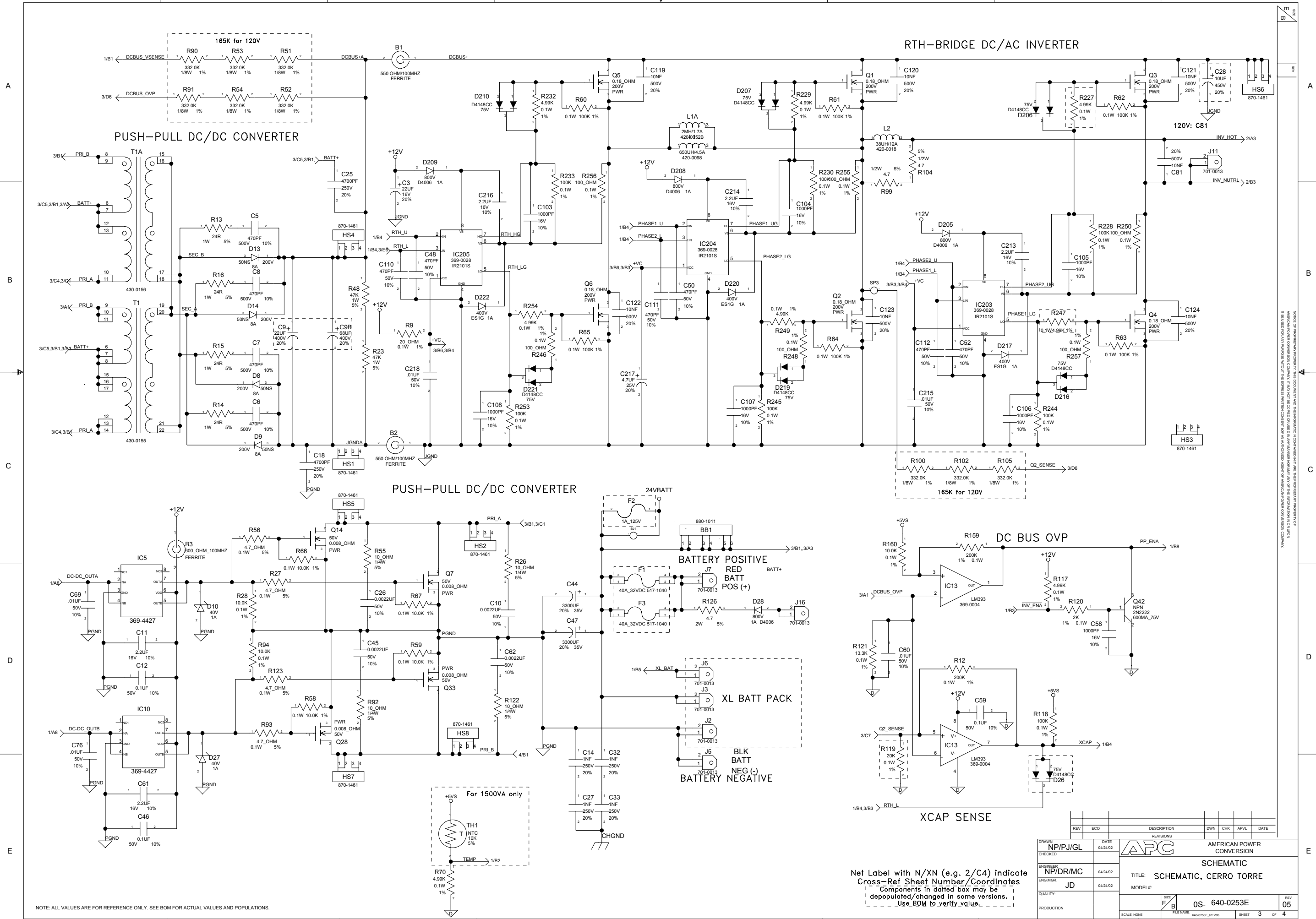
REV	ECO	DESCRIPTION	DWN	CHK	APVL	DATE

DRAWN	NP/PJ/GL	DATE	04/24/02	<p>AMERICAN POWER CONVERSION</p> <p><b>SCHEMATIC</b></p> <p>TITLE: SCHEMATIC, CERRO TORRE</p> <p>MODEL#:</p>	REV	05
CHECKED						
ENGINEER	NP/DR/MC	DATE	04/24/02			
ENG MGR	JD	DATE	04/24/02			
QUALITY						
PRODUCTION						

SCALE: NONE    FILE NAME: 640-0253E\_REV05    SHEET 2 OF 4

NOTE: ALL VALUES ARE FOR REFERENCE ONLY. SEE BOM FOR ACTUAL VALUES AND POPULATIONS.



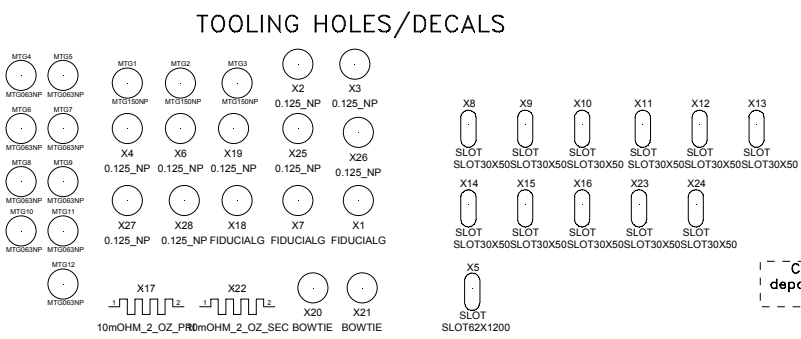
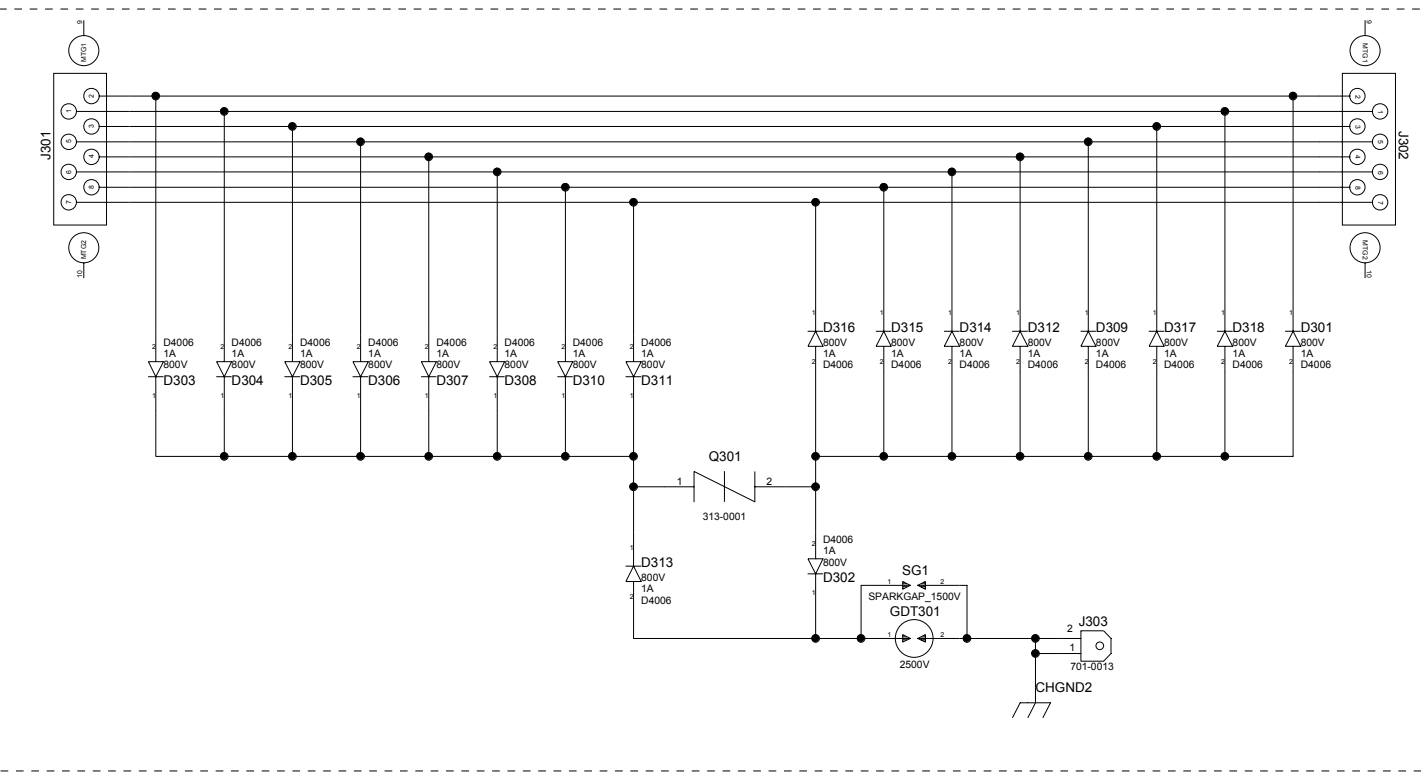
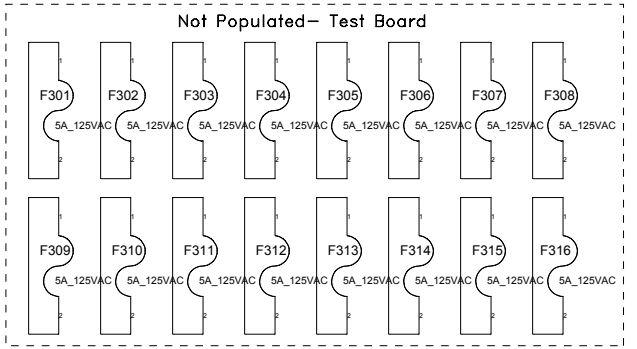
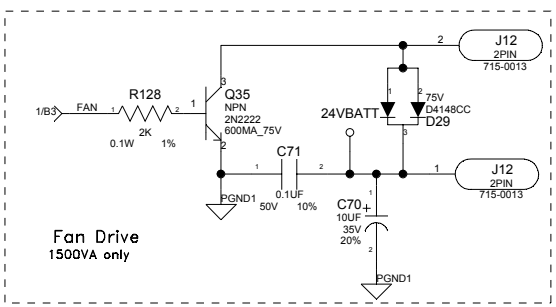
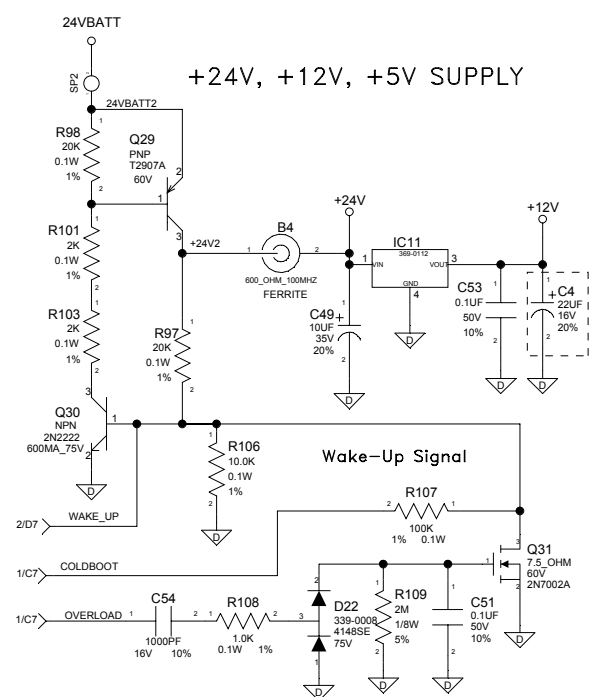
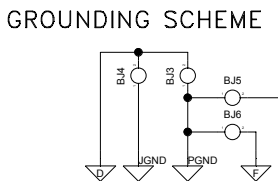
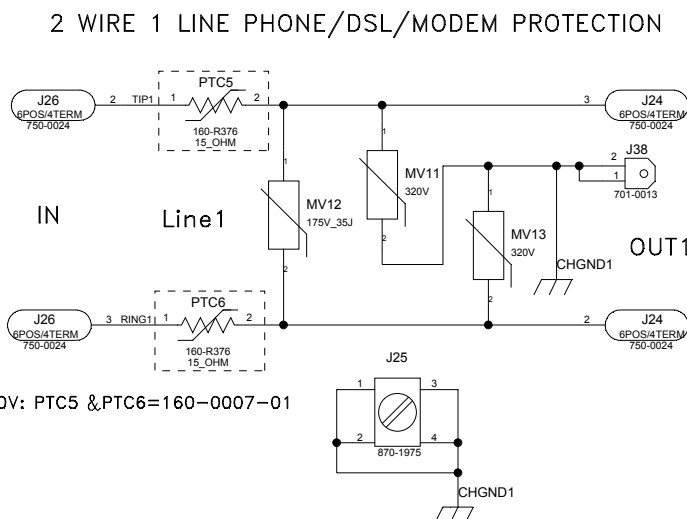
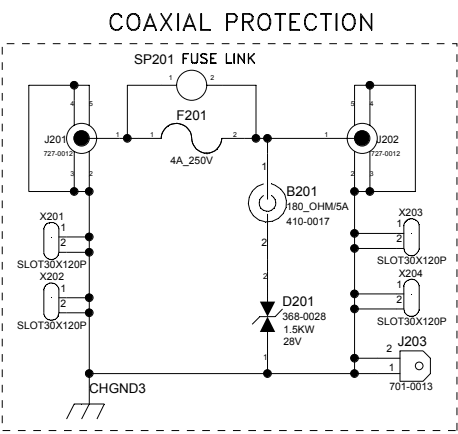
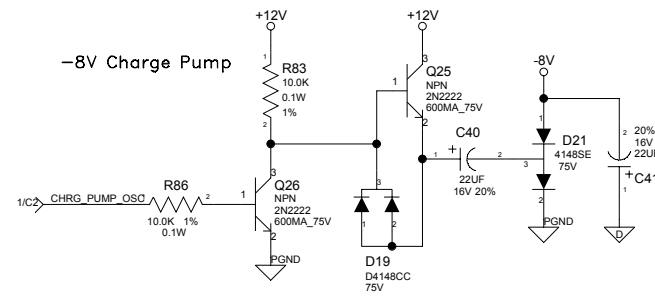
REV	ECO	DESCRIPTION	DWN	CHK	APVL	DATE

DRAWN: NP/PJ/GL	DATE: 04/24/02	 AMERICAN POWER CONVERSION SCHEMATIC TITLE: SCHEMATIC, CERRO TORRE MODEL#: 0S-640-0253E	REV: 05
CHECKED: NP/DR/MC	DATE: 04/24/02		
ENGINEER: JD	DATE: 04/24/02		
PRODUCTION:			

SCALE: NONE    FILE NAME: 640-0253E\_REV05    SHEET 3 OF 4

Net Label with N/XN (e.g. 2/C4) indicate Cross-Ref Sheet Number/Coordinates  
 Components in dotted box may be depopulated/changed in some versions.  
 Use BOM to verify value.



REV	ECO	DESCRIPTION	DWN	CHK	APVL	DATE

DRAWN	NP/PJ/GL	DATE	04/24/02	 <b>AMERICAN POWER CONVERSION</b> <b>SCHEMATIC</b> TITLE: SCHEMATIC, CERRO TORRE MODEL#:	
CHECKED					
ENGINEER	NP/DR/MC	DATE	04/24/02		
ENG MGR.	JD	DATE	04/24/02		
QUALITY:					
PRODUCTION				REV: <b>05</b>	
SCALE: NONE				FILE NAME: 640-0253E_REV05	SHEET: <b>4</b> OF <b>4</b>

NOTE: ALL VALUES ARE FOR REFERENCE ONLY. SEE BOM FOR ACTUAL VALUES AND POPULATIONS.

INDICATOR OF PROPRIETARY INFORMATION. THIS DOCUMENT AND THE INFORMATION CONTAINED HEREIN ARE THE PROPRIETARY PROPERTY OF AMERICAN POWER CONVERSION COMPANY. IT MAY NOT BE REPRODUCED OR TRANSMITTED IN ANY FORM OR BY ANY MEANS, ELECTRONIC OR MECHANICAL, WITHOUT THE EXPRESS WRITTEN PERMISSION OF AMERICAN POWER CONVERSION COMPANY.