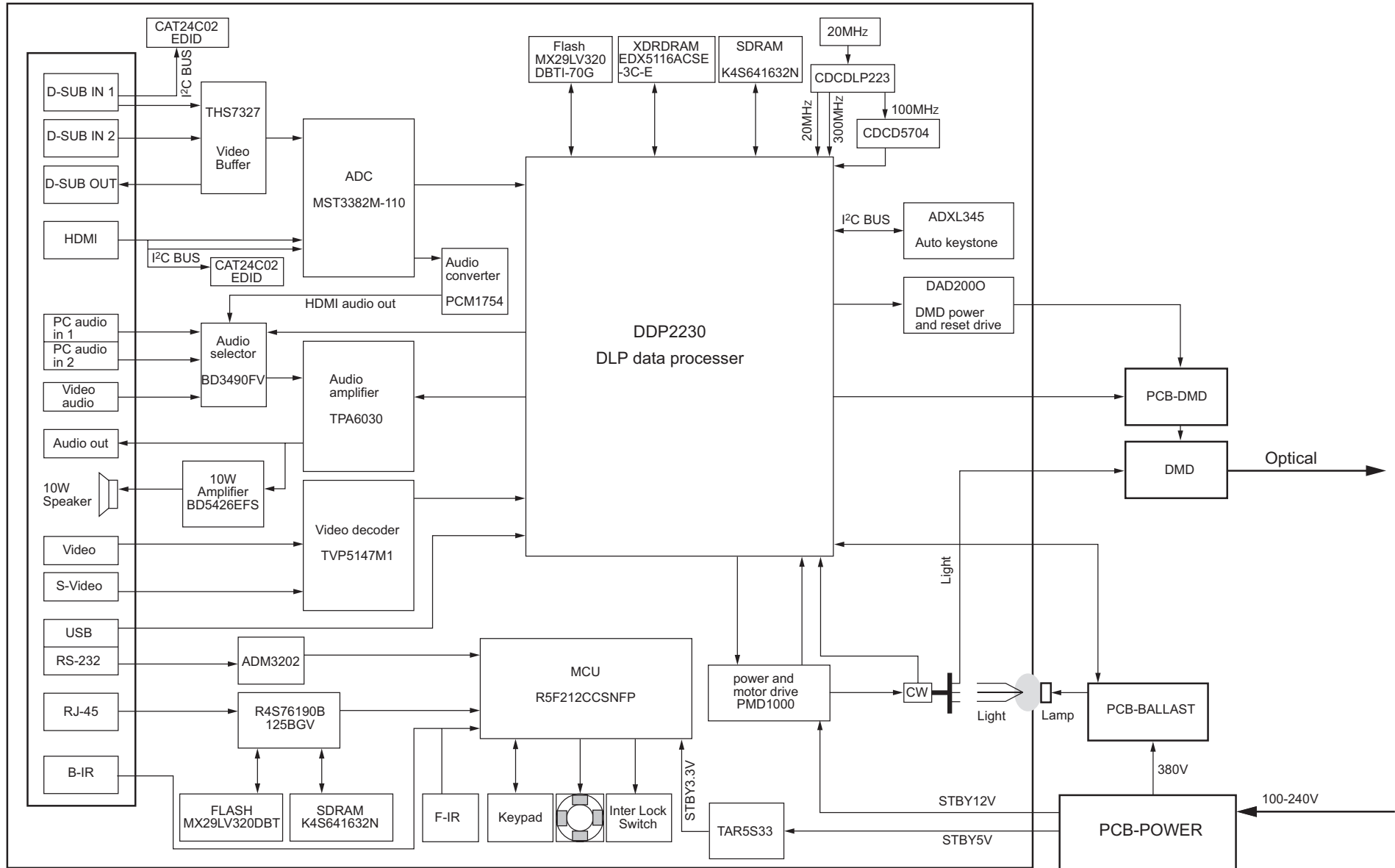
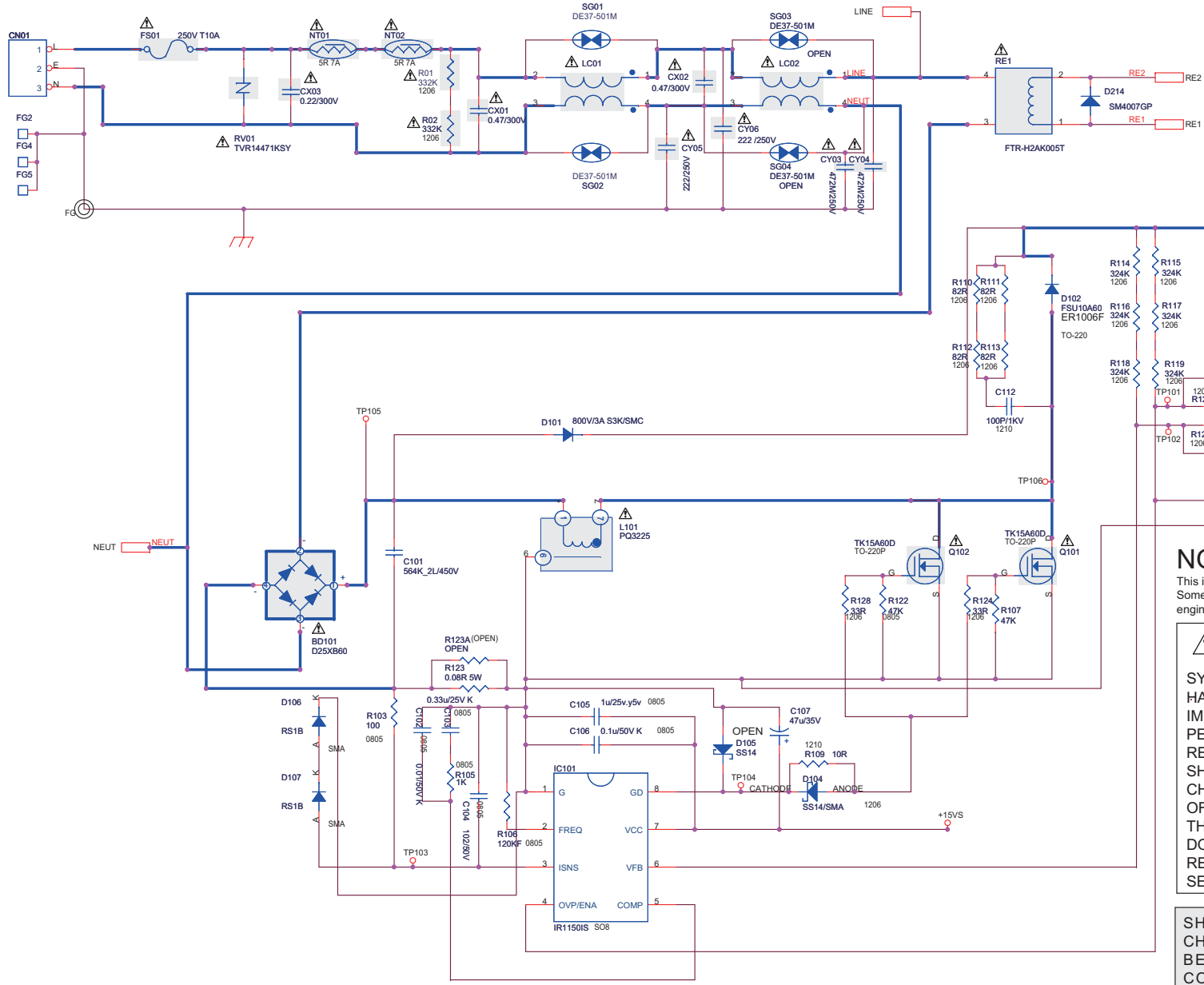


BLOCK DIAGRAM





SCHEMATIC DIAGRAM

PCB-POWER (1/2)

NOTE

This is a basic schematic diagram. Some sets may be subject to modify according to engineering improvement.

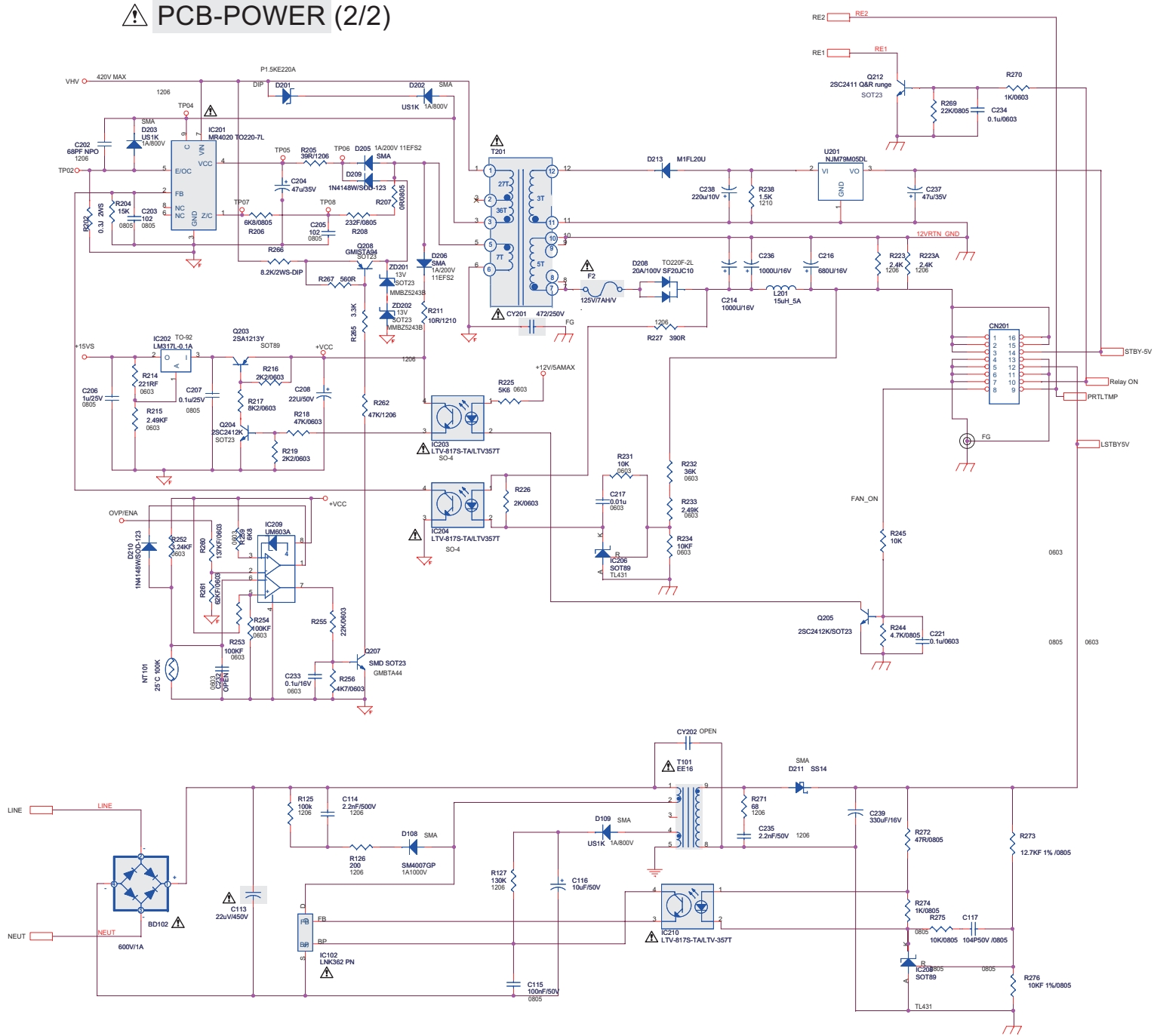
⚠️ SERVICING PRECAUTION

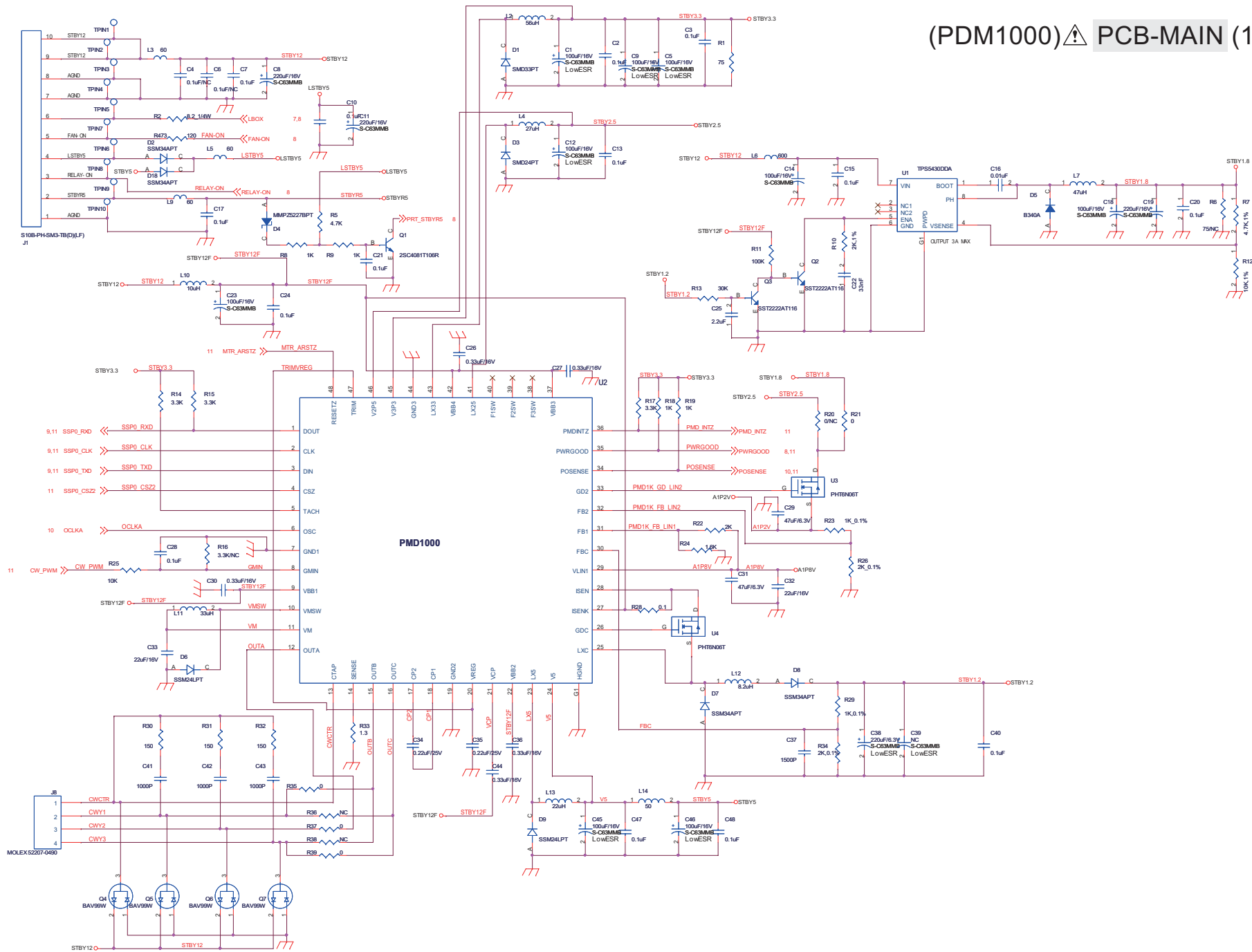
SYMBOLS INDICATE COMPONENTS HAVING SPECIAL CHARACTERISTICS IMPORTANT TO SAFETY AND PERFORMANCE. THEREFORE REPLACEMENT OF ANY SAFETY PARTS SHOULD BE IDENTICAL IN VALUE AND CHARACTERISTICS. FOR ACCURACY OF THE REPLACEMENT REFER TO THE PARTS LIST OF SERVICE MANUAL. DON'T DEGRADE THE SAFETY OF THE RECEIVERS THROUGH IMPROPER SERVICING.

SHADED COMPONENTS HAVE SPECIAL CHARACTERISTICS IMPORTANT TO SAFETY. BEFORE REPLACING ANY OF THESE COMPONENTS, READ CAREFULLY THE PRODUCT SAFETY NOTICE IN THE SERVICE MANUAL. DON'T DEGRADE THE SAFETY OF THE RECEIVERS THROUGH IMPROPER SERVICING.

⚠ PCB-POWER (2/2)

C-2

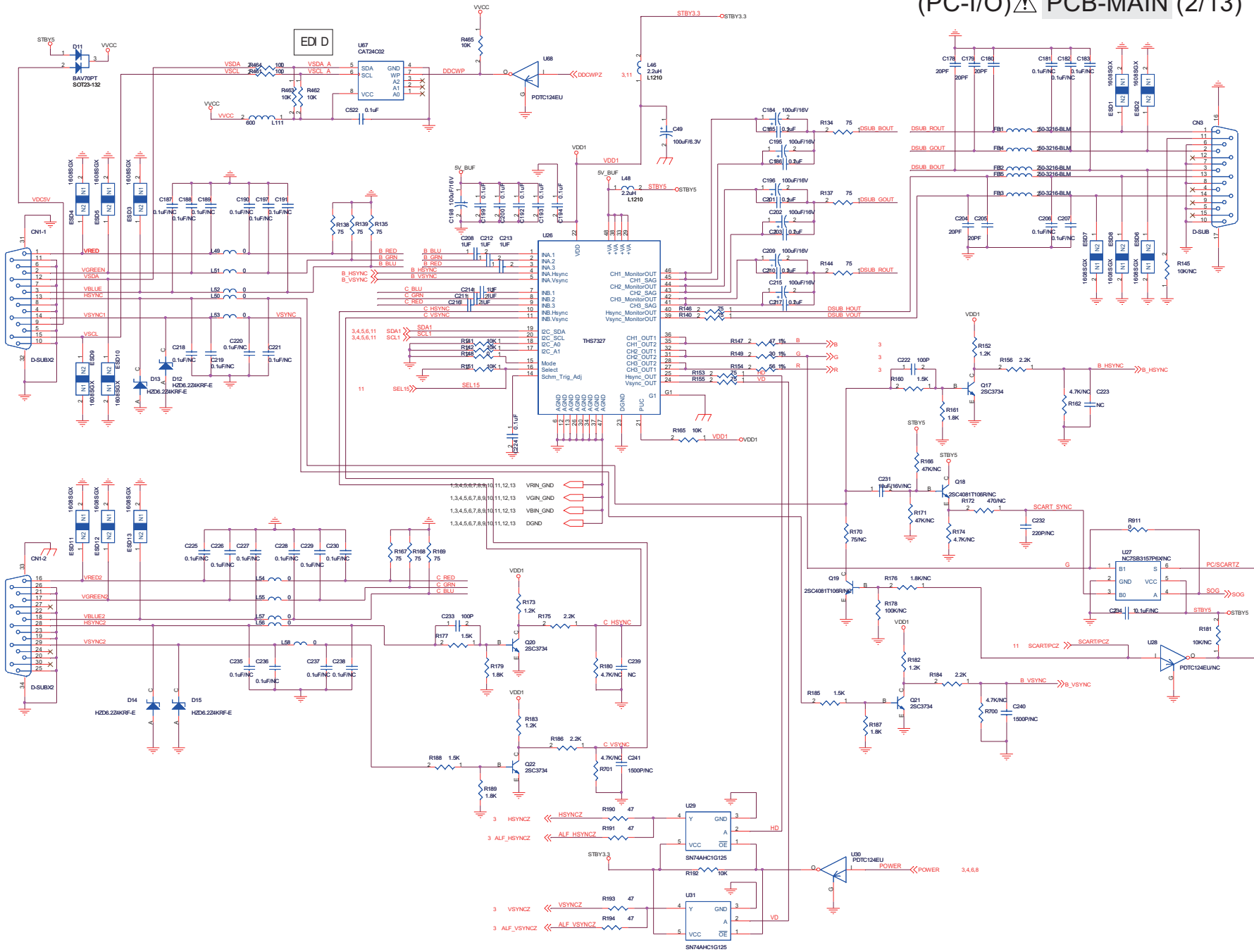




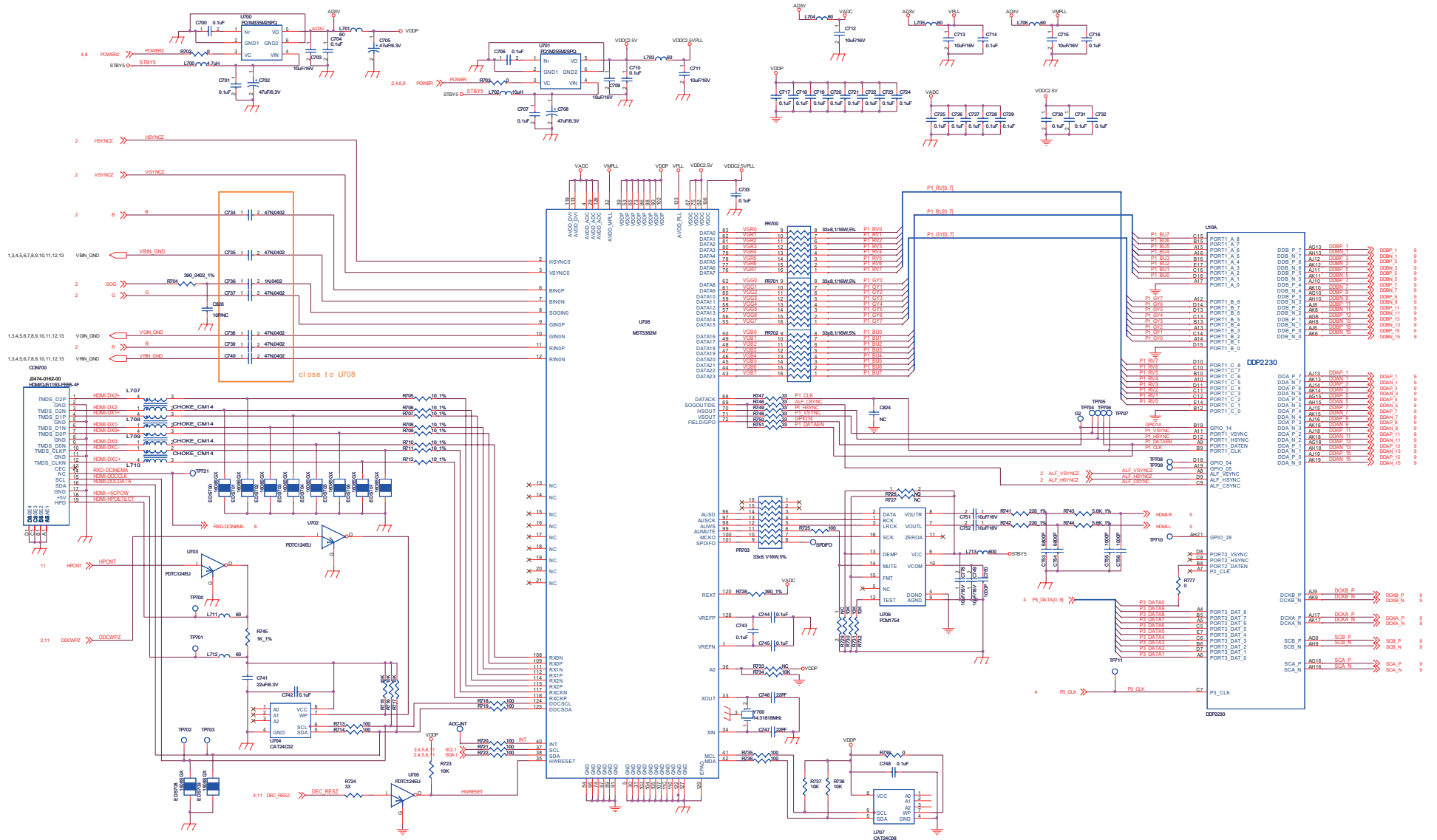
C-3

(PC-I/O) PCB-MAIN (2/13)

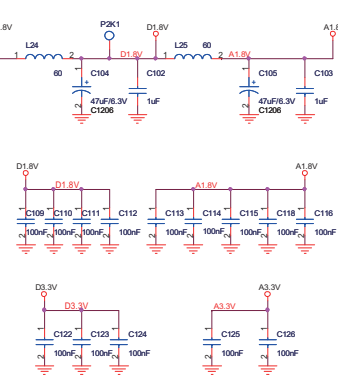
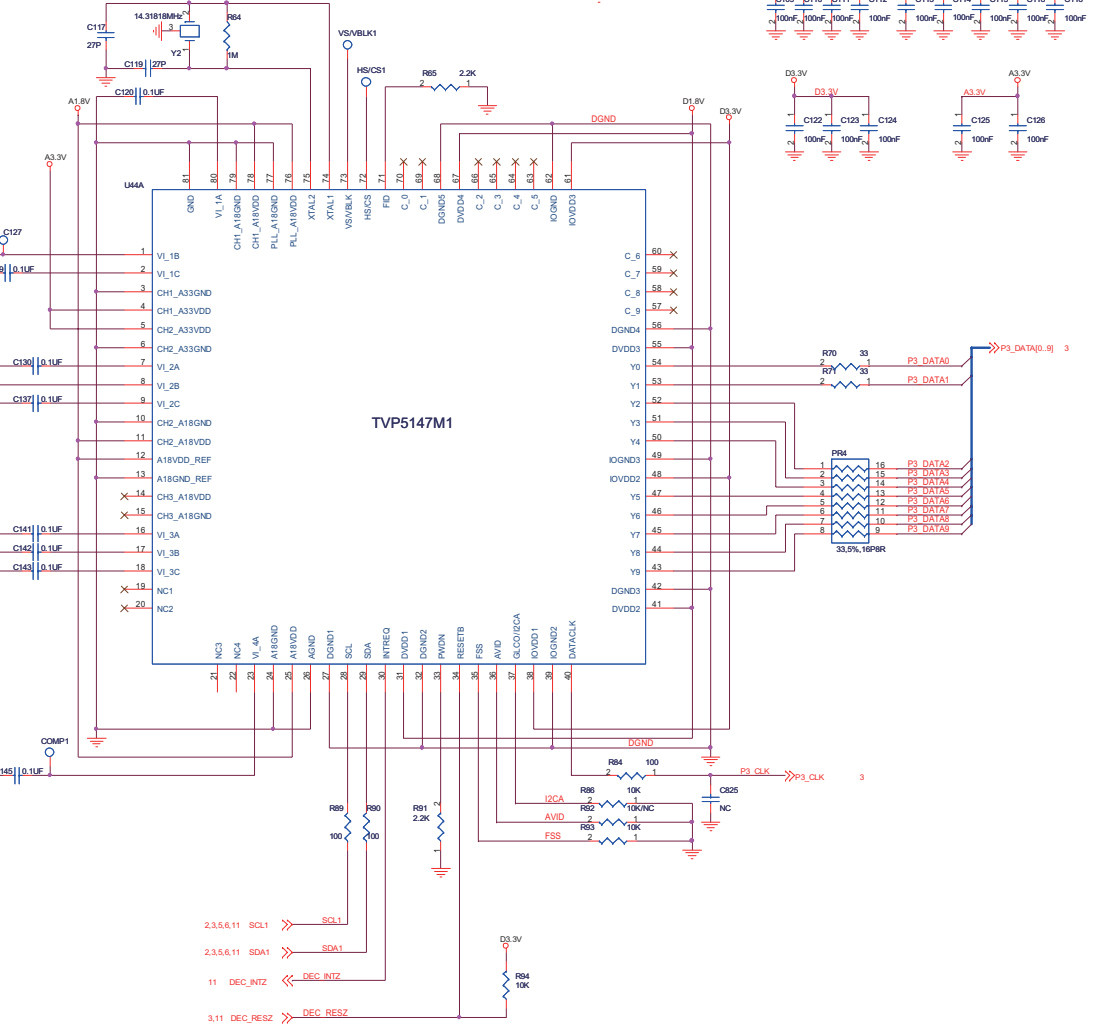
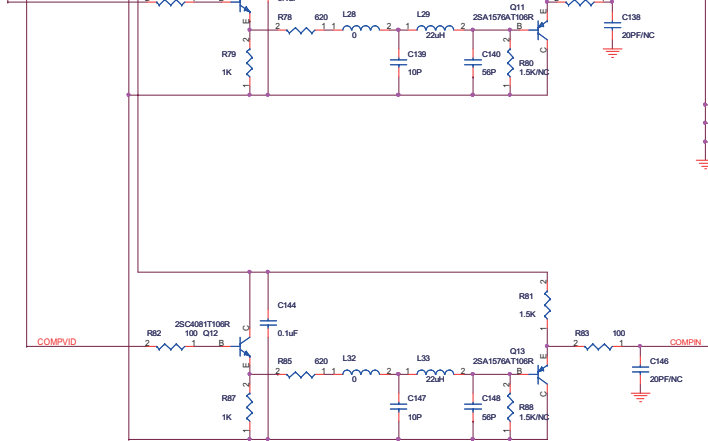
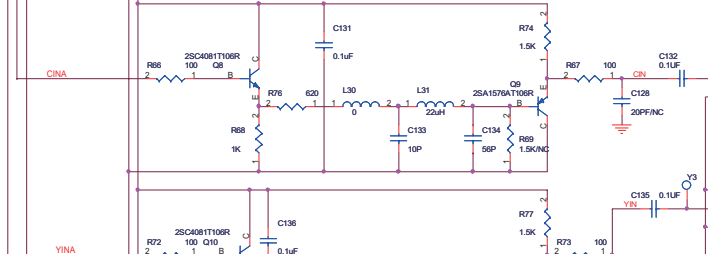
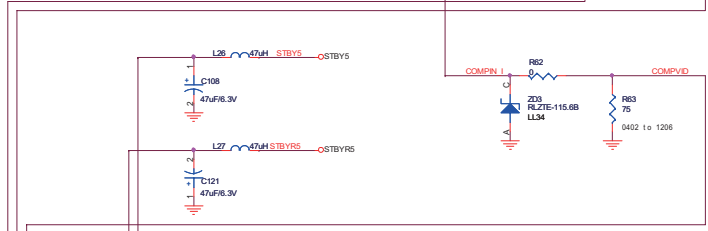
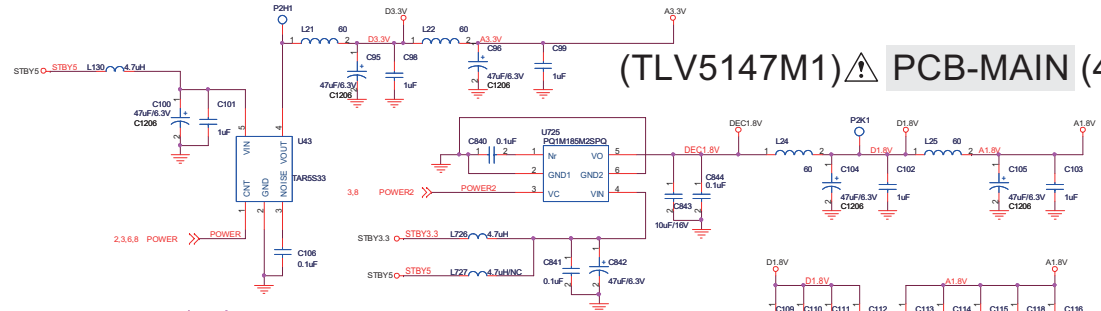
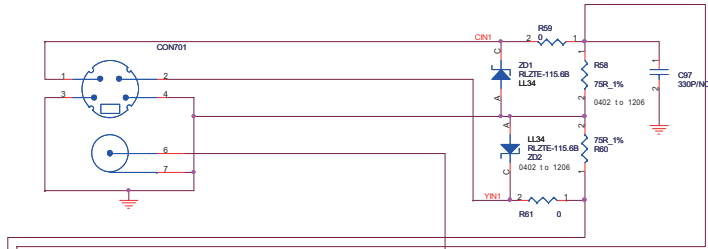
C-4



C-5

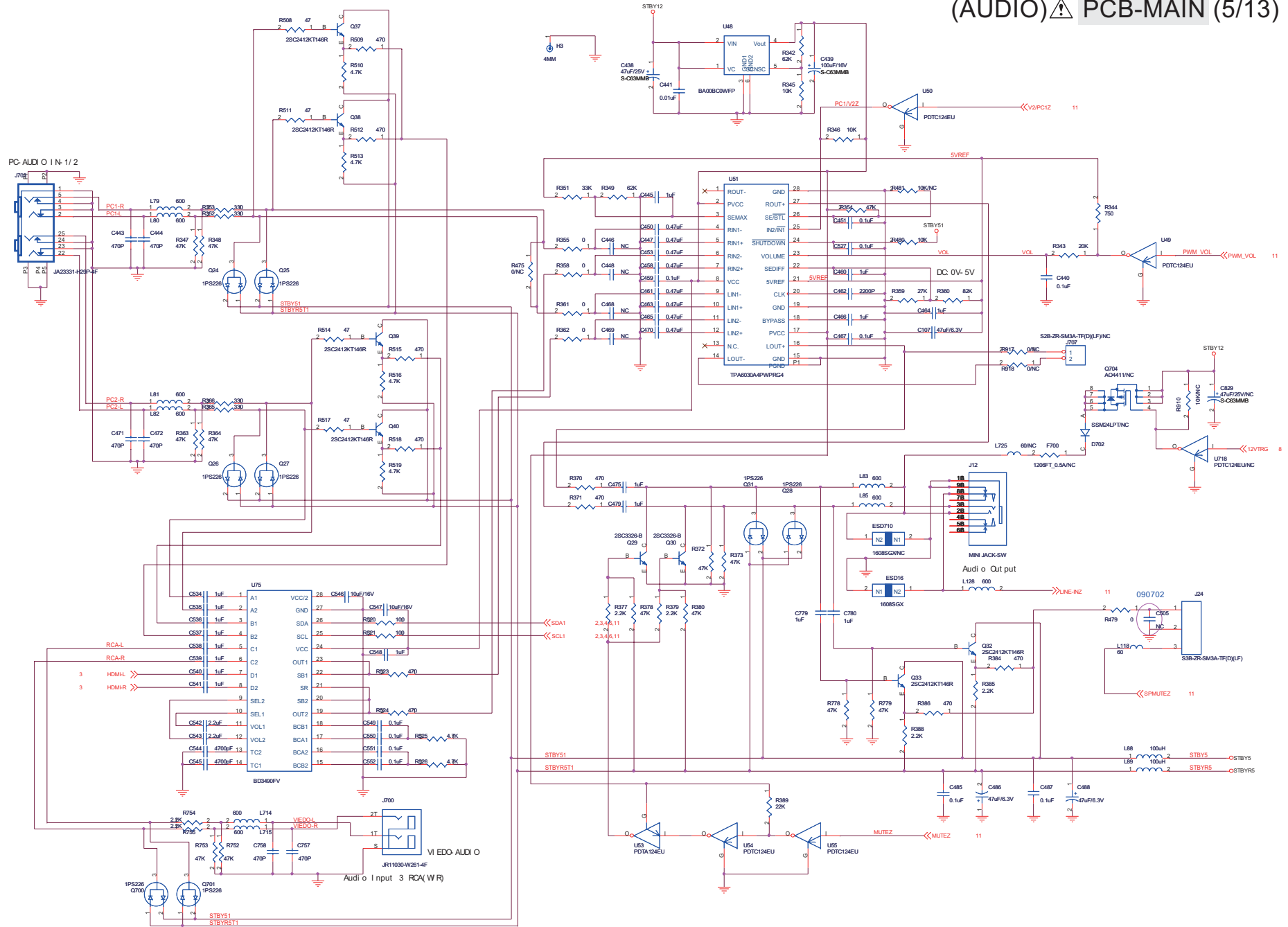


(TLV5147M1) PCB-MAIN (4/13)

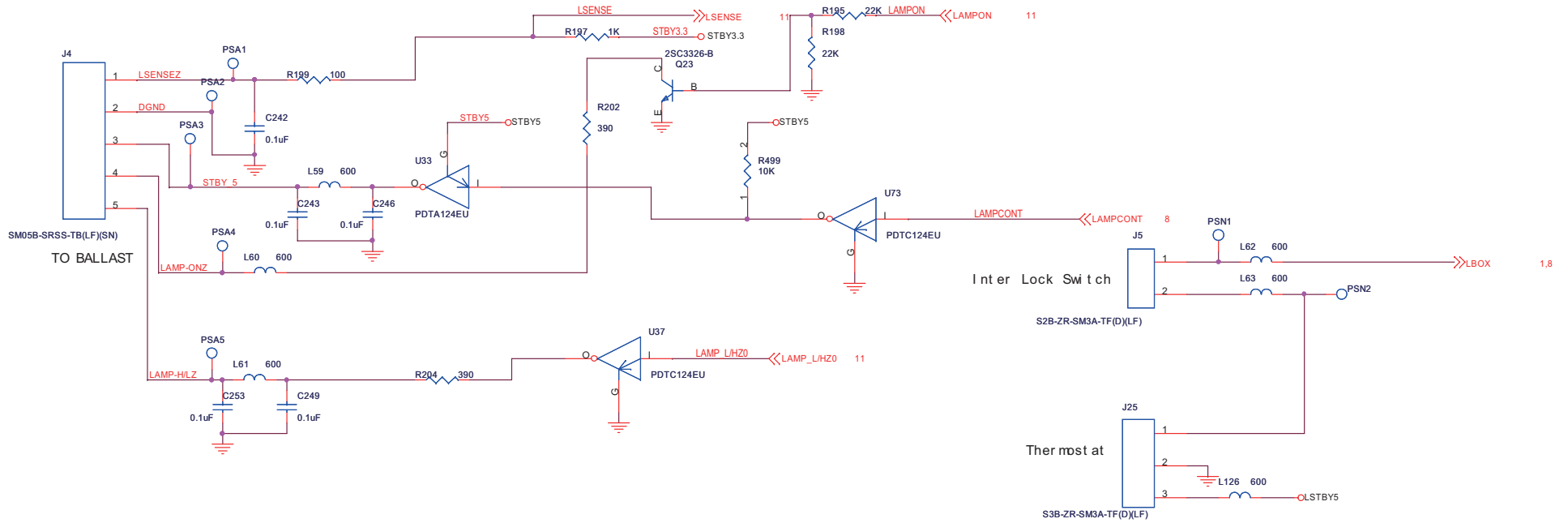


- 2.3.5.6.11 SCL1 >> SCL1
- 2.3.5.6.11 SDA1 >> SDA1
- 11 DEC_INTZ << DEC_INTZ
- 3.11 DEC_RESZ << DEC_RESZ

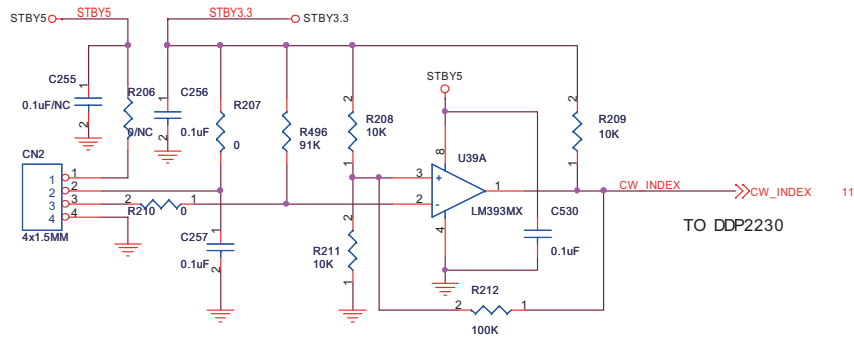
C-7



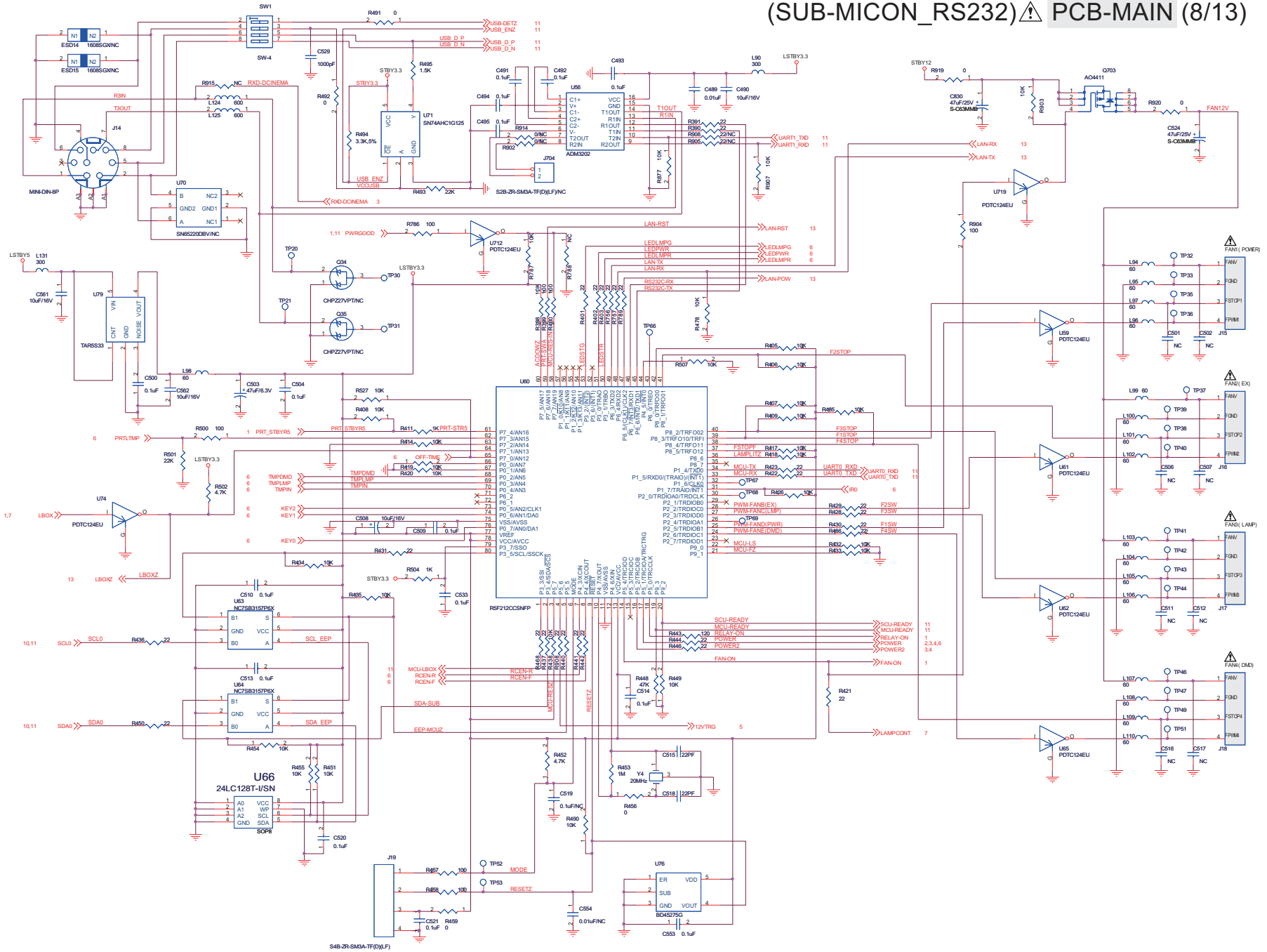
(BALLAST) PCB-MAIN (7/13)



C-9



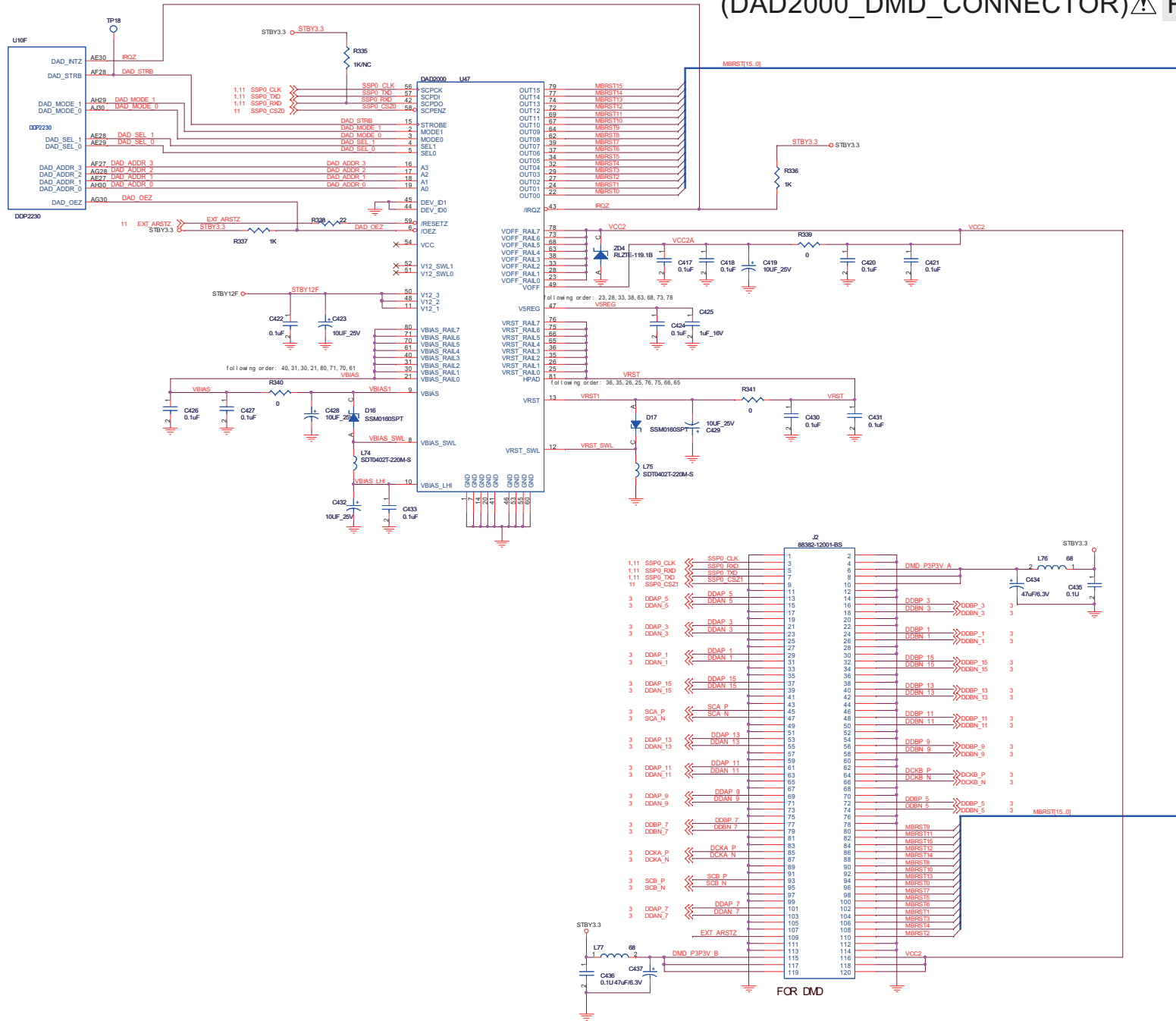
(SUB-MICON_RS232) PCB-MAIN (8/13)



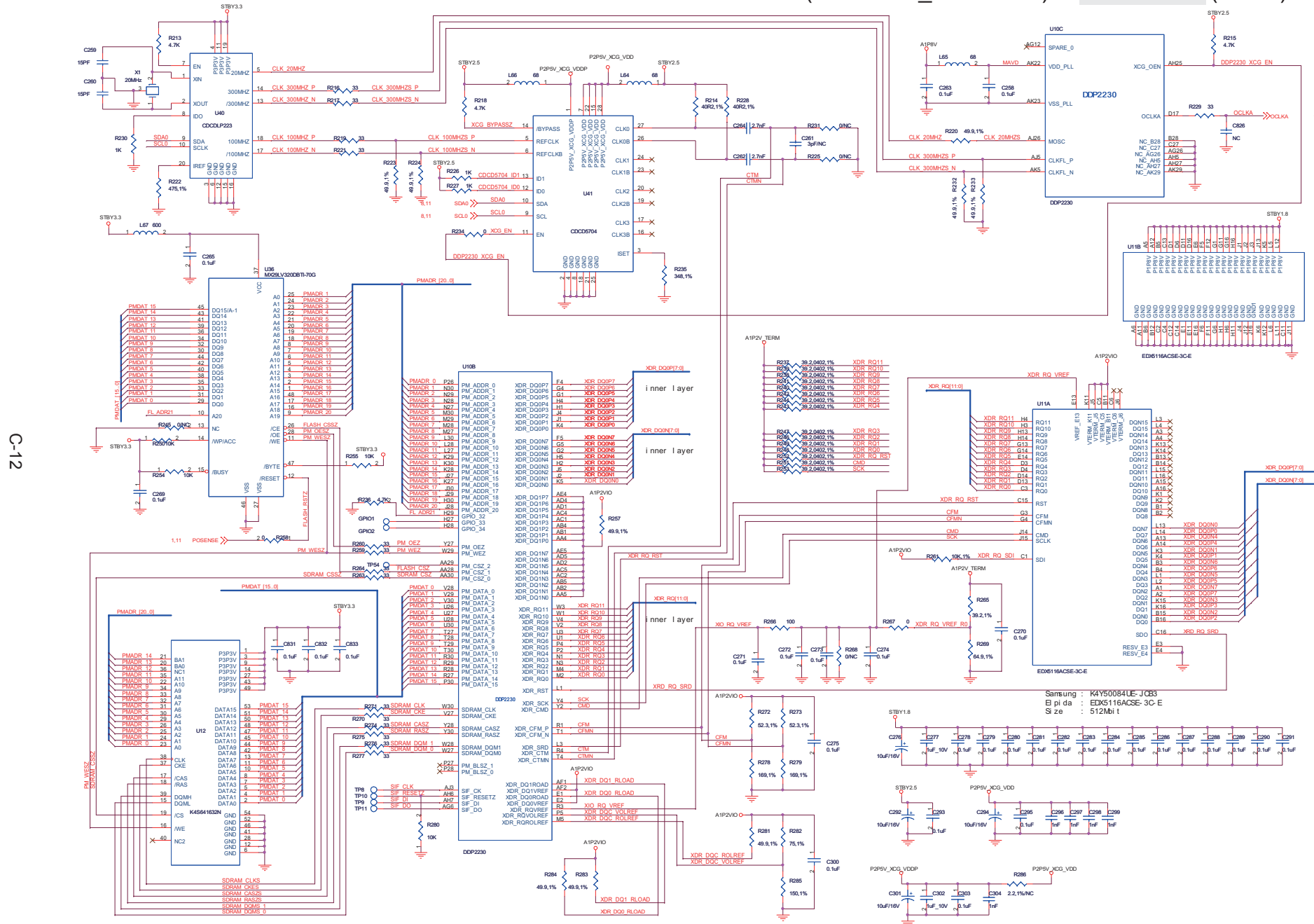
C-10

S4B-2R-SMA-TF(D)(LF)

(DAD2000_DMD_CONNECTOR) PCB-MAIN (9/13)



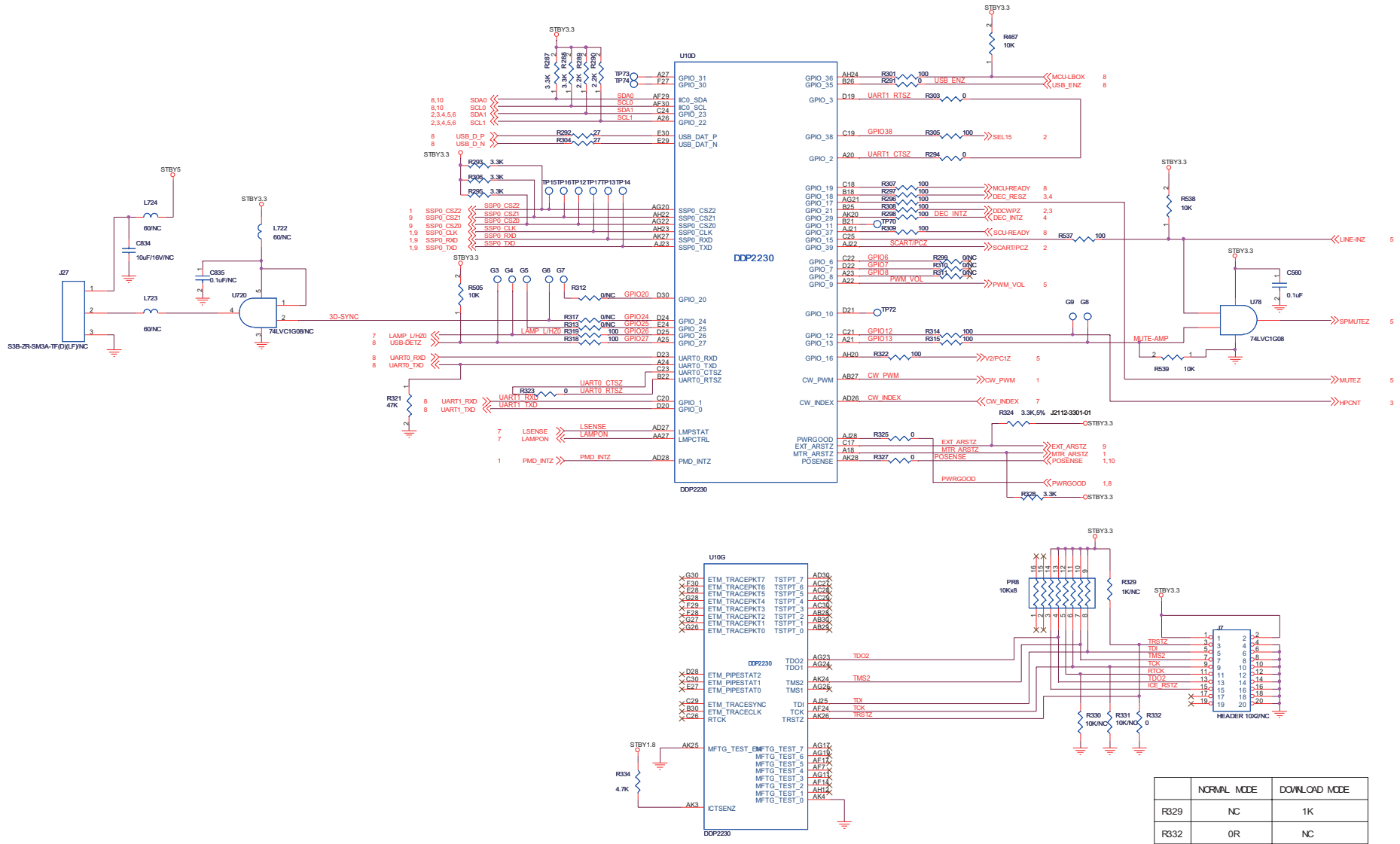
(DDP2230_MEMORY) PCB-MAIN (10/13)



C-12

SamSung : K4Y50084UE-JC83
Epi da : EDX5116ACSE-3C E
Si ze : 512Mbi t

(DDP2230_GPIO) PCB-MAIN (11/13)



(DDP2230_POWER) PCB-MAIN (12/13)

C-14

