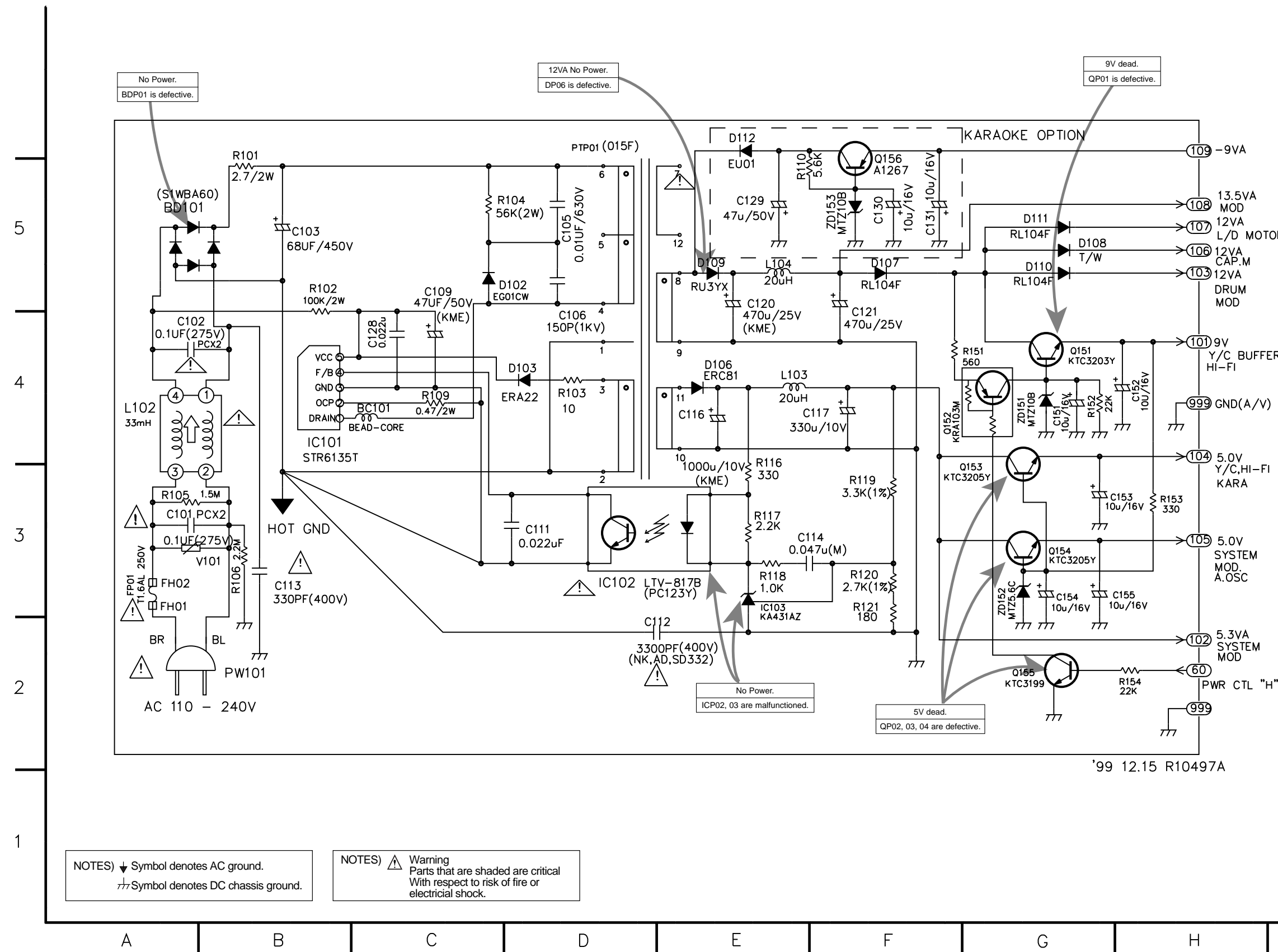


# CIRCUIT DIAGRAMS

## 1. Power(SMPS) Circuit Diagram



### LOCATION GUIDE

BC101	C4	Q151	G4
BD101	A5	Q152	F4
C101	A3	Q153	F3
C102	A4	Q154	G3
C103	B5	Q155	G2
C105	D5	Q156	F5
C106	D4	R101	B5
C109	C5	R102	B5
C111	D3	R103	D4
C112	D2	R104	C5
C113	B3	R105	A3
C114	E3	R106	B3
C116	E4	R109	C4
C117	E4	R110	E5
C120	E5	R116	E3
C121	F4	R117	E3
C128	C4	R118	E3
C129	E5	R119	F3
C130	F5	R120	F3
C131	F5	R121	F3
C151	G4	R151	G4
C152	H4	R152	G4
C153	G3	R153	H3
C154	G3	R154	H2
C155	G3	V101	A3
D102	C5	ZD151	G4
D103	D4	ZD152	G3
D106	E4	ZD153	F5
D107	F5		
D108	G5		
D109	E5		
D110	G5		
D111	G5		
FH01	A3		
FH02	A3		
IC101	B4		
IC102	D3		
IC103	E3		
L102	A4		
L103	E4		
L104	E5		
PTP01	D6		
PW101	B2		

NOTES) ↓ Symbol denotes AC ground.  
 ⏏ Symbol denotes DC chassis ground.

NOTES) ⚠ Warning  
 Parts that are shaded are critical  
 With respect to risk of fire or  
 electrical shock.

'99 12.15 R10497A