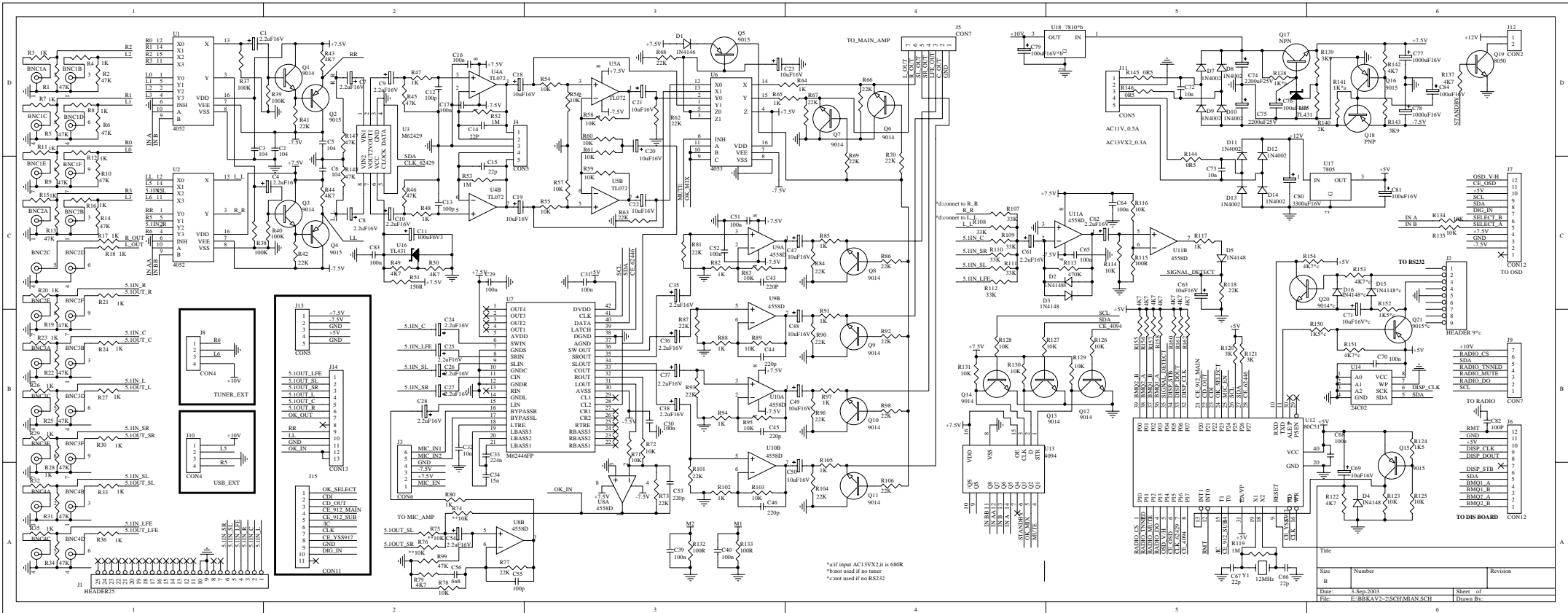


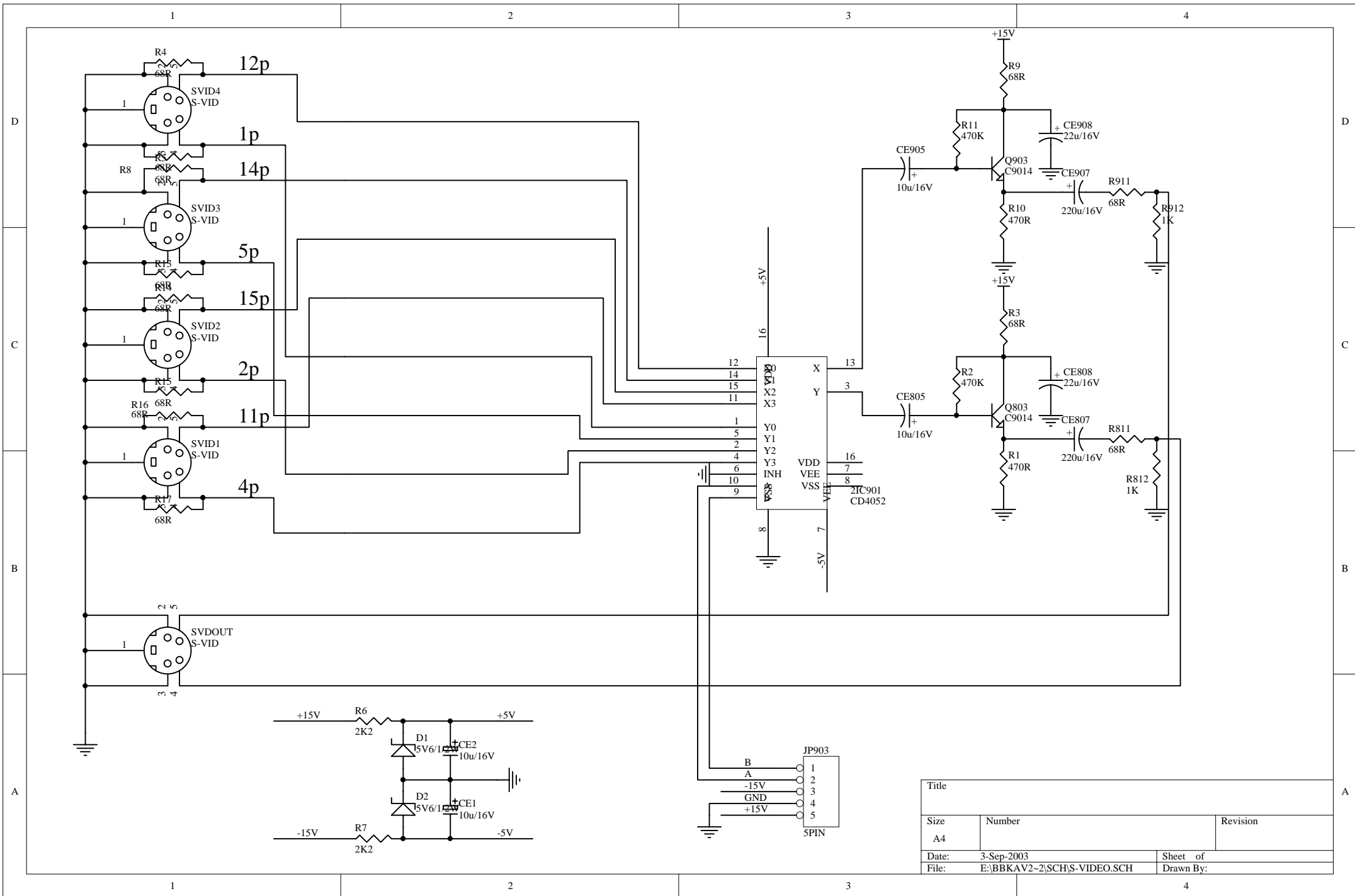
Title		
Size	Number	Revision
B		
Date:	3-Sep-2003	Sheet of
File:	E:\BBKAV2-2\SCH\922MOD.SCH	Drawn By:



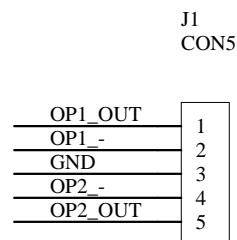
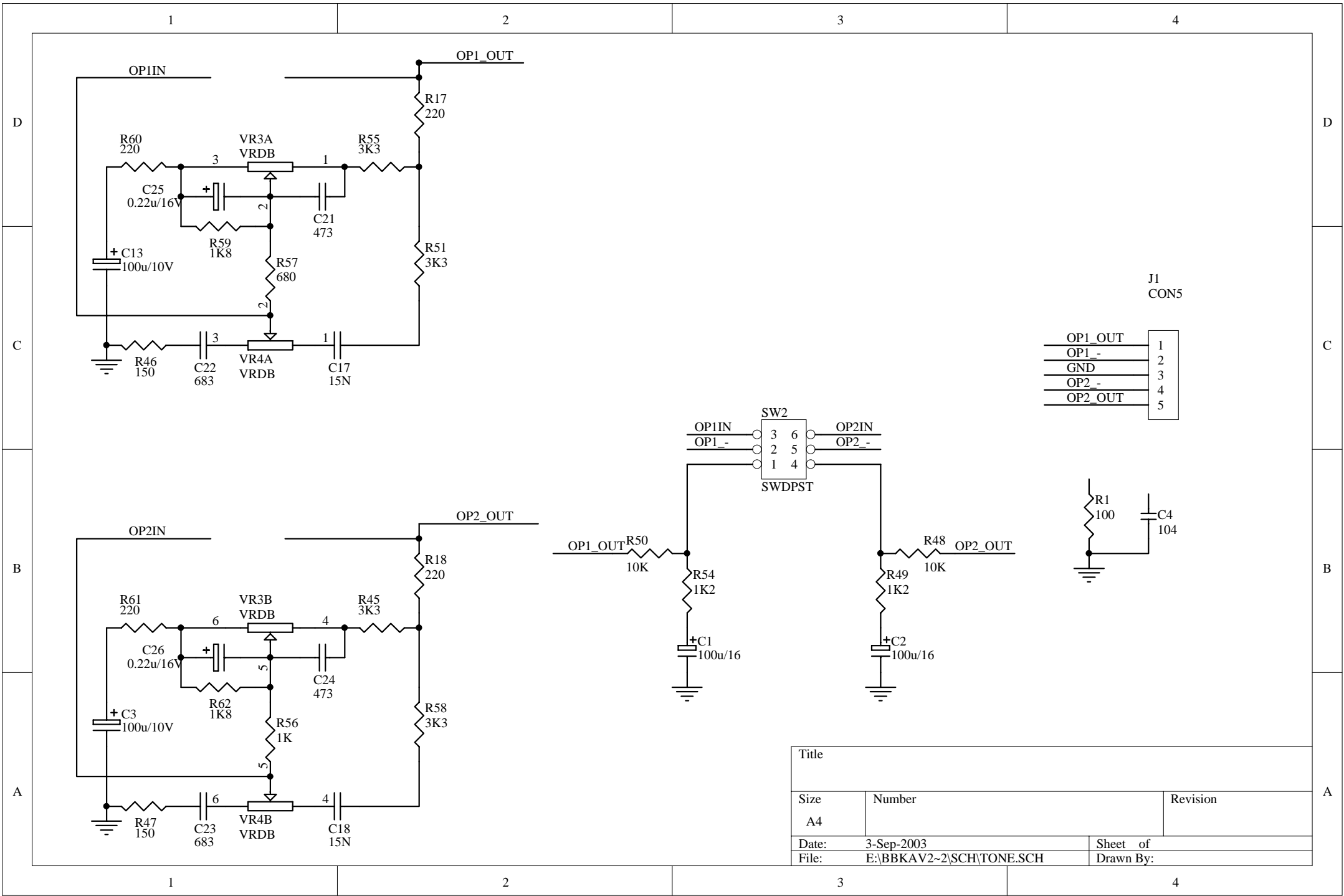
*if input AC13VX2 is 680R
 *not used if no tuner
 *not used if no RS232

Size	Number	Revision
B	3-Sep-2003	1

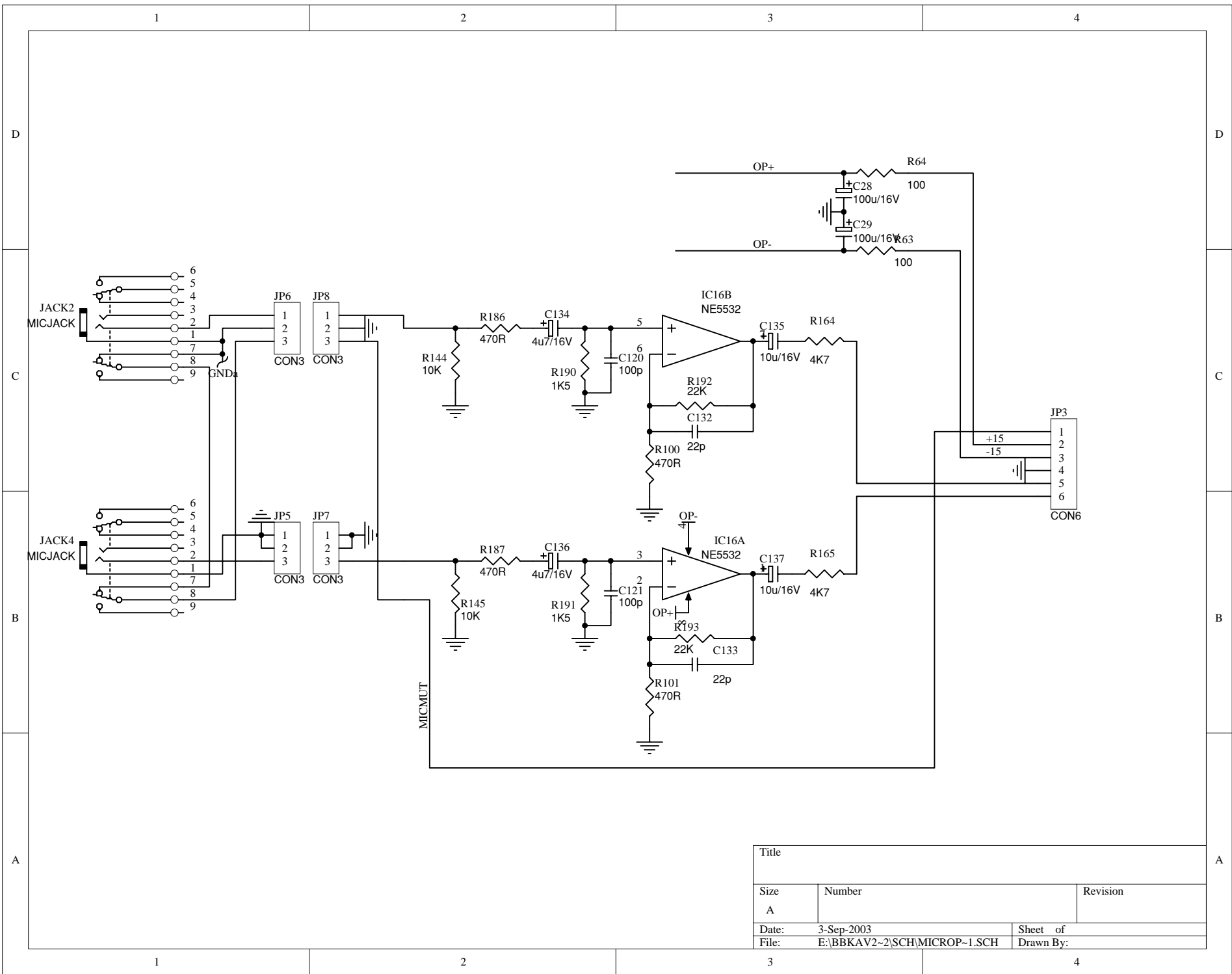
Date: 3-Sep-2003 Sheet of: 1
 File: E:BBKAV2-SMCHMAN.SCH Drawn By:



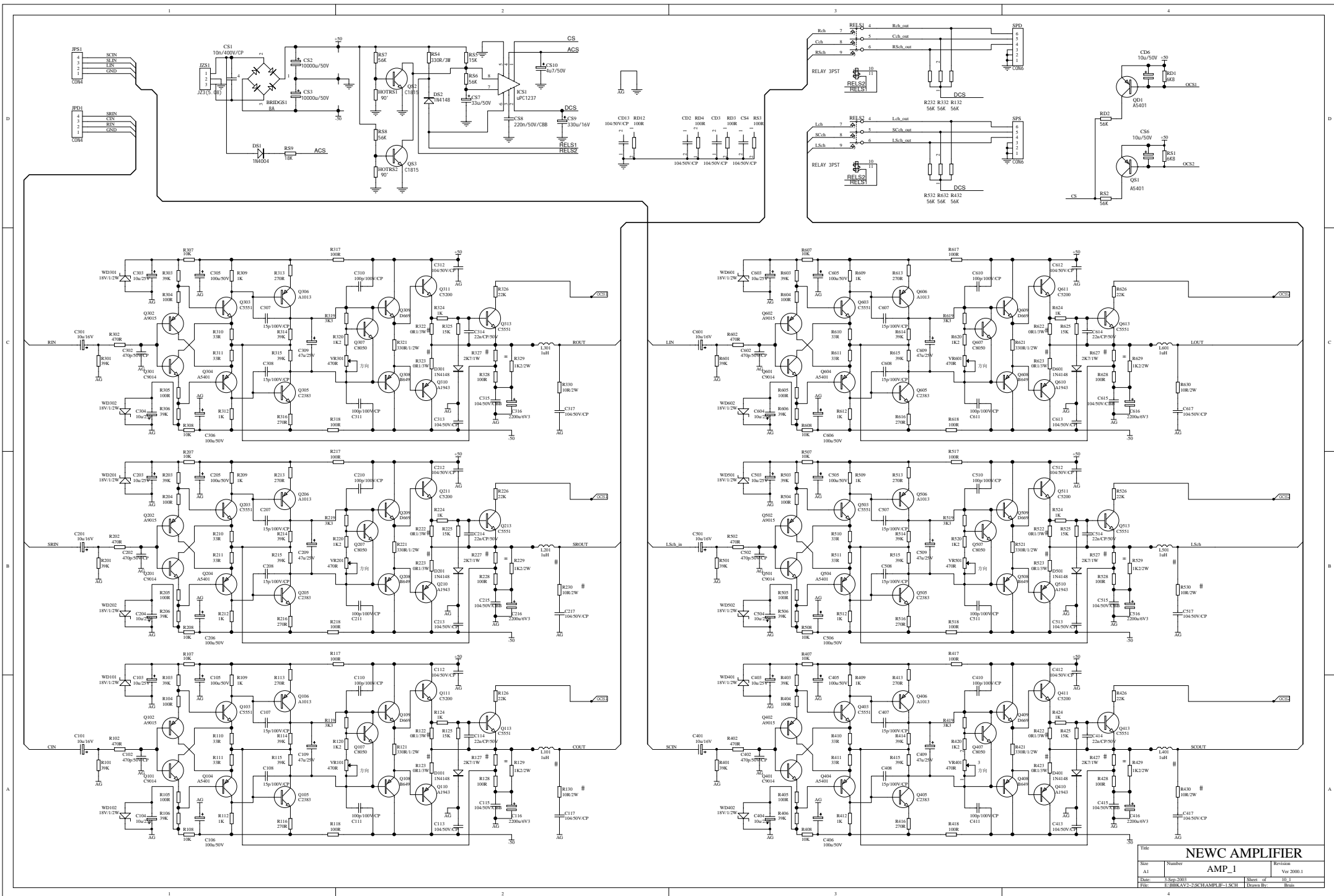
Title		
Size	Number	Revision
A4		
Date:	3-Sep-2003	Sheet of
File:	E:\BBKAV2-2\SCH\S-VIDEO.SCH	Drawn By:



Title		
Size	Number	Revision
A4		
Date:	3-Sep-2003	Sheet of
File:	E:\BBKAV2~2\SCH\TONE.SCH	Drawn By:



Title		
Size	Number	Revision
A		
Date:	3-Sep-2003	Sheet of
File:	E:\BBKAV2~2\SCH\MICROP~1.SCH	Drawn By:



NEWC AMPLIFIER			
Size	Number	Revision	Ver
A1	AMP_1	Ver 2000.1	1.0
DATE	SEP 2003	DESIGN	W.T.
FILE	E:\BRKAV2-25C\AMPB-1.SCH	DRAWN BY	BRM