

PCB P/N: EAX6485303-1.7

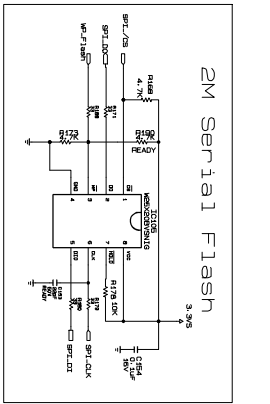
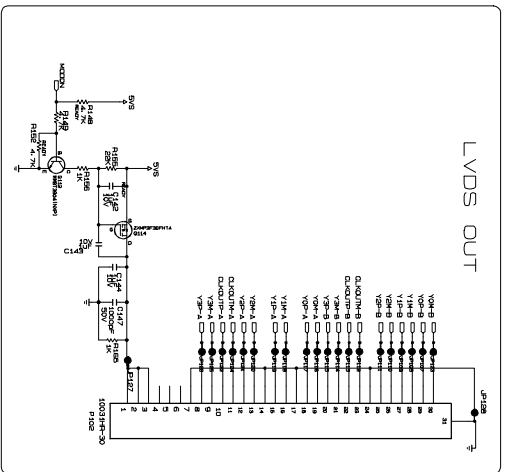
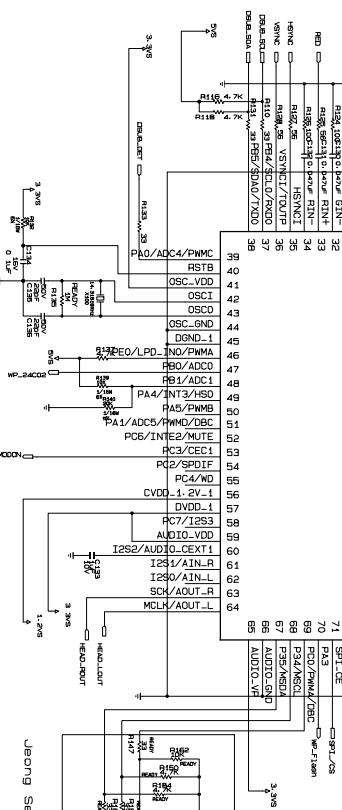
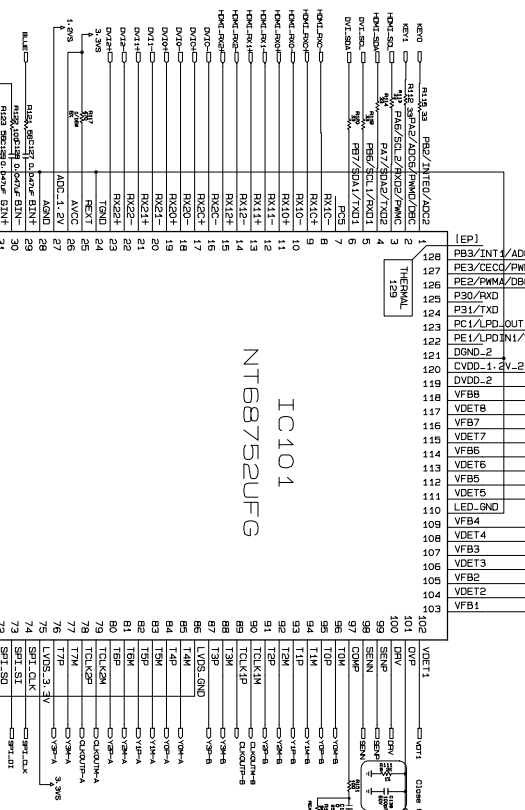
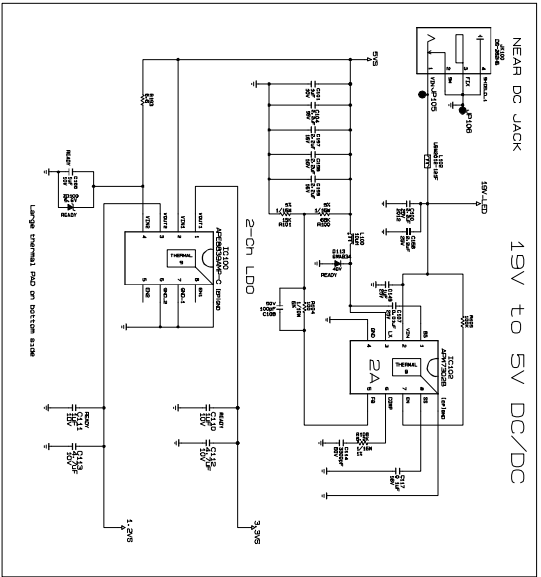
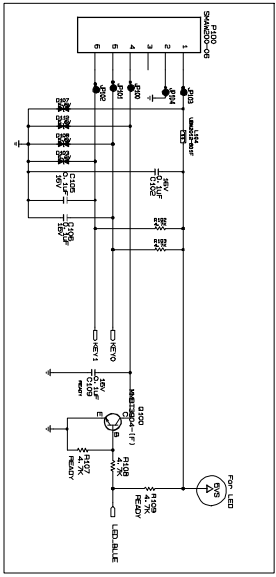
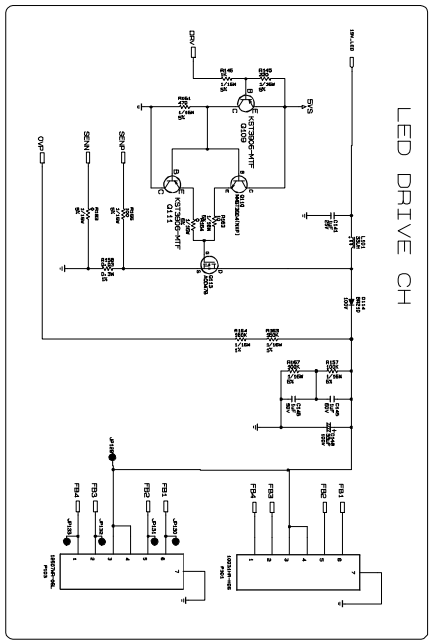
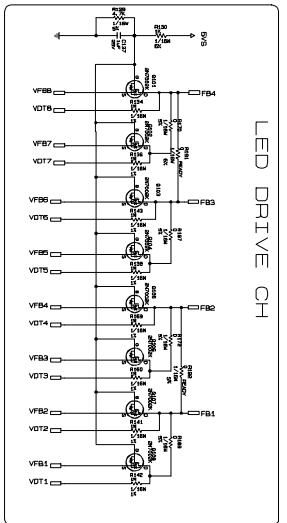
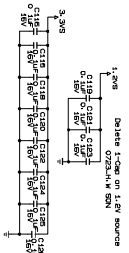
Date : 2011.11.29

LED D-1/VER-CH      0 : USE, X : NOT USE

R101	R102	Q103	Q104	Q105	Q106
27* LED	X	X	0	0	0
18* 7-2M	0	0	X	X	X

WATER 0 : USE, X : NOT USE

P101	P103
27* LED	X
OTHERS	0



READY  
Jangsoo Seong's Request on 11/11/03

THE A SHAPE MARK OF THIS SPECIFIC DESIGN INDICATES SPECIAL FEATURES IMPORTANT FOR PROTECTION FROM REPRODUCTION. PLEASE READ THE MARK CAREFULLY. THESE MARKS ARE USED TO IDENTIFY THE ORIGINAL MANUFACTURER'S DESIGN. THESE MARKS ARE USED TO IDENTIFY THE ORIGINAL MANUFACTURER'S DESIGN. THESE MARKS ARE USED TO IDENTIFY THE ORIGINAL MANUFACTURER'S DESIGN.

SECRET

LG ELECTRONICS

MODEL	E-42V	DATE	2011-11-29
BLOCK	SIGNAL	SHEET	1 / 2