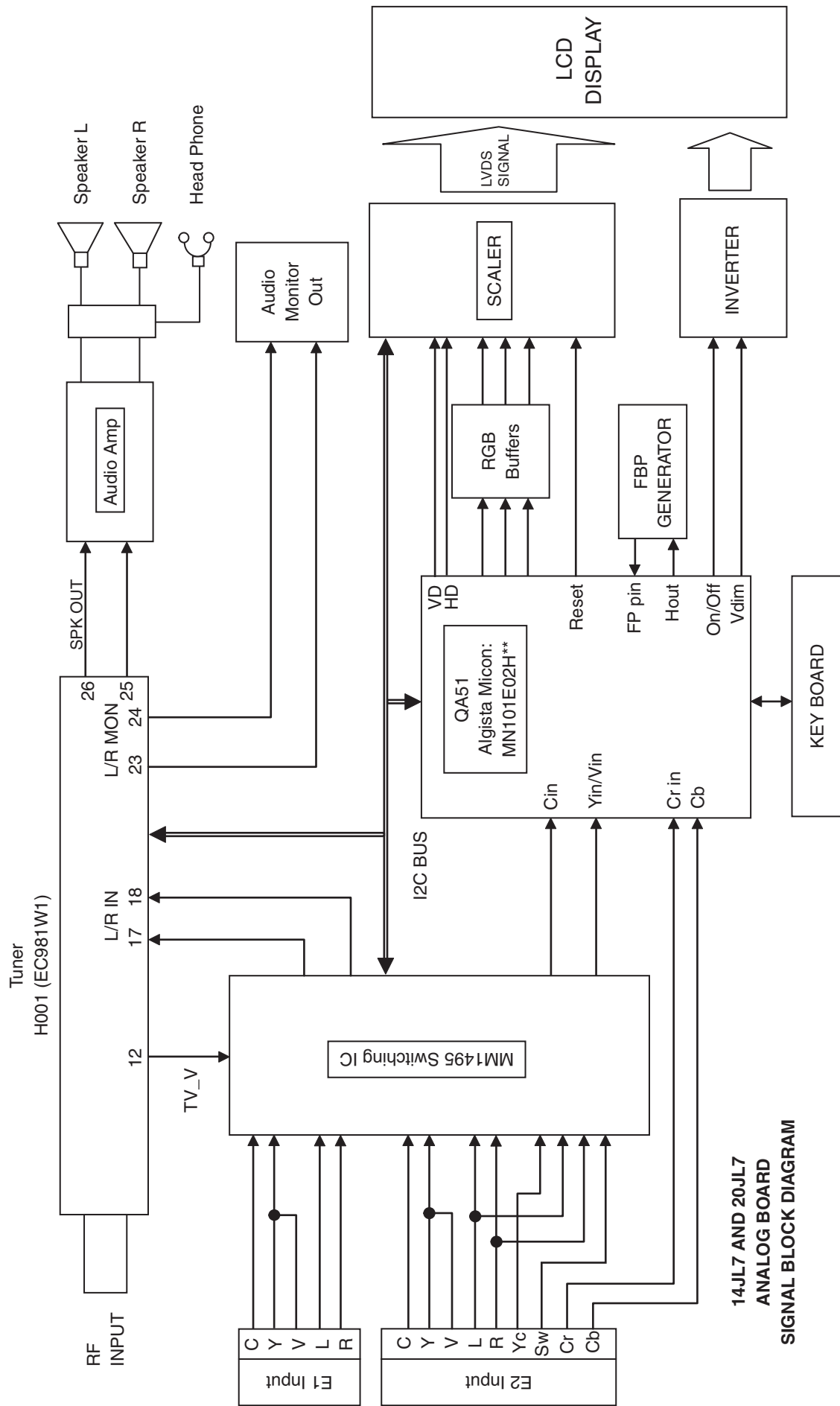
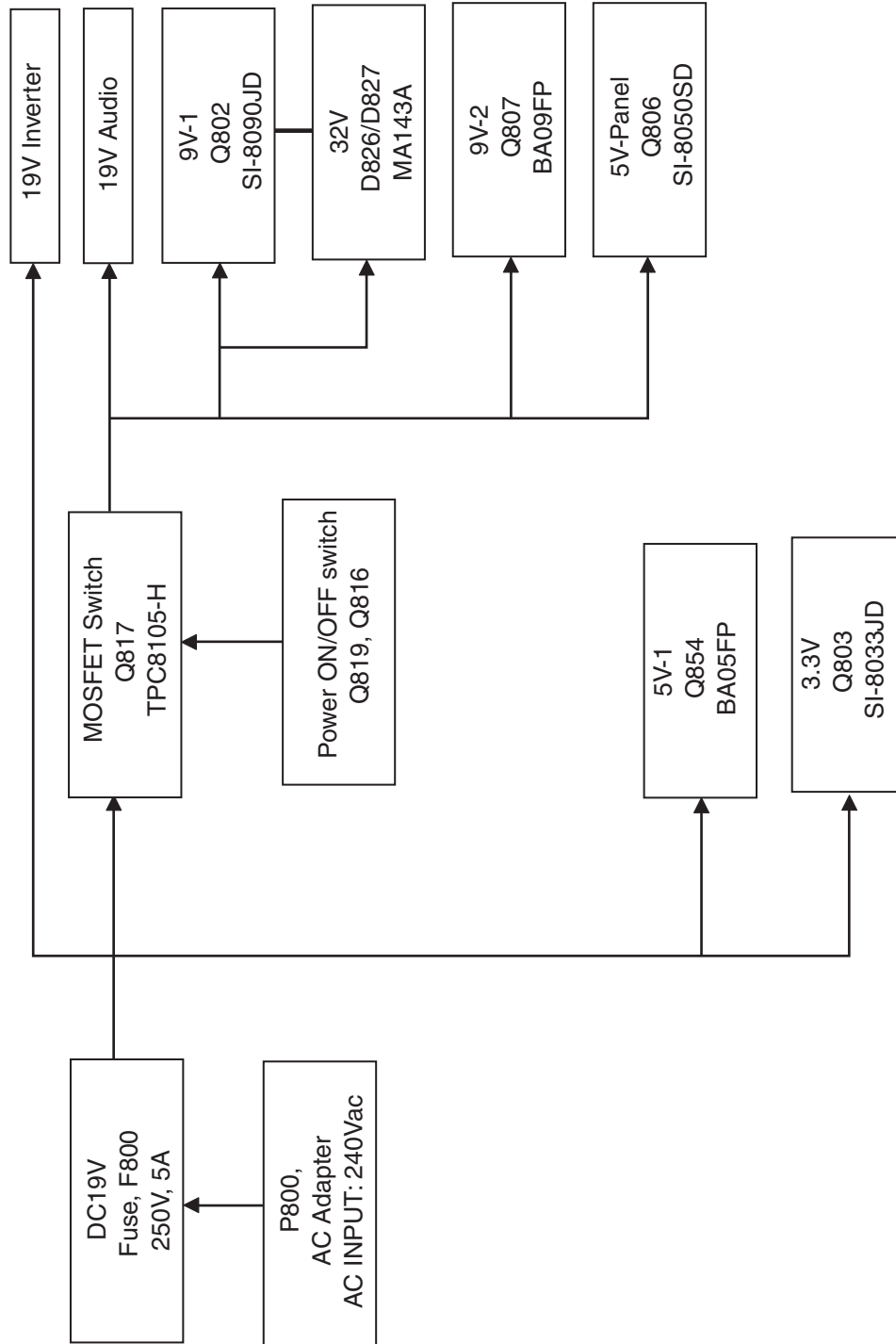


CIRCUIT BLOCK DIAGRAM

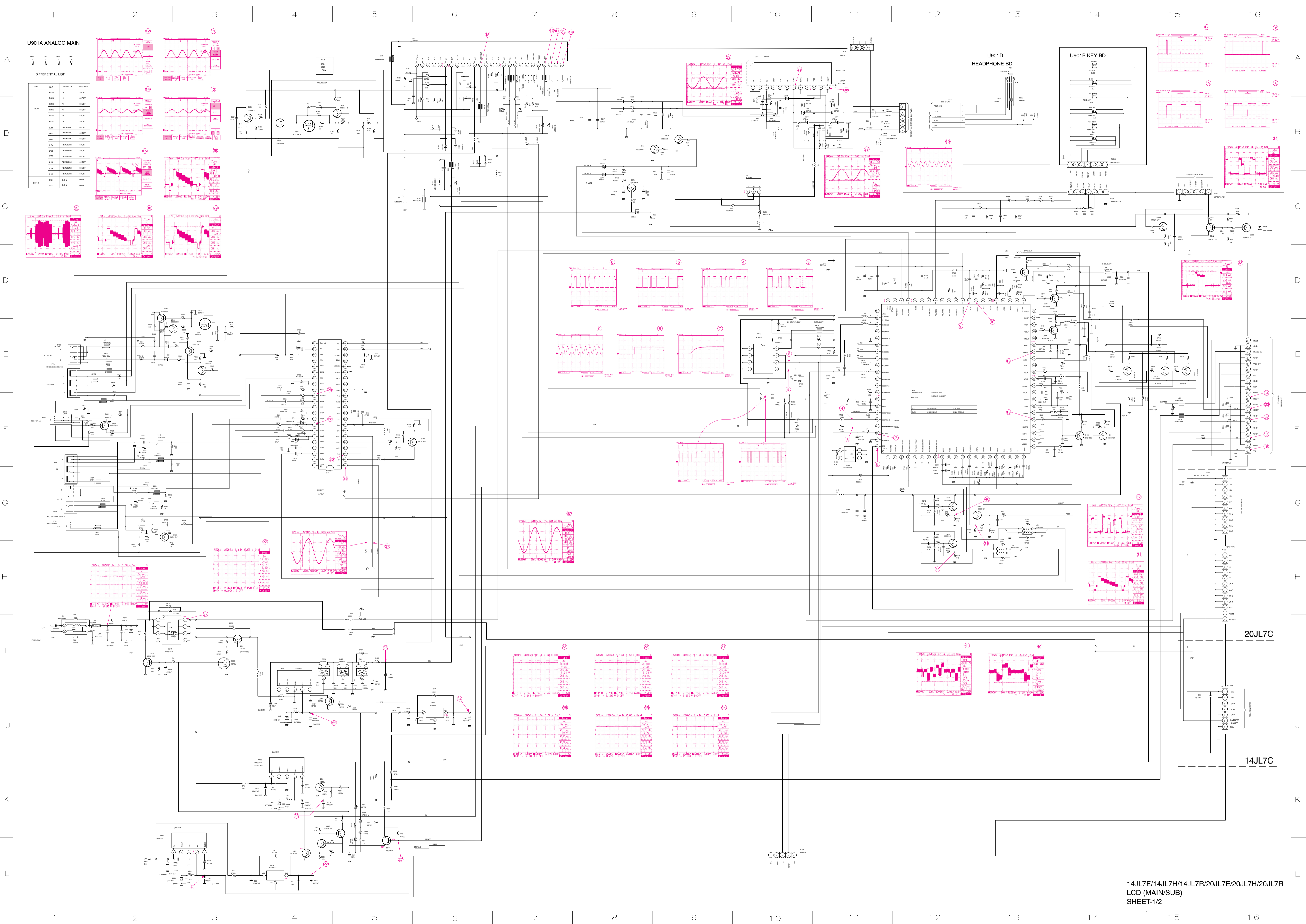


CIRCUIT BLOCK DIAGRAM (POWER)



MEMO

A large rectangular area containing horizontal dashed lines for writing.

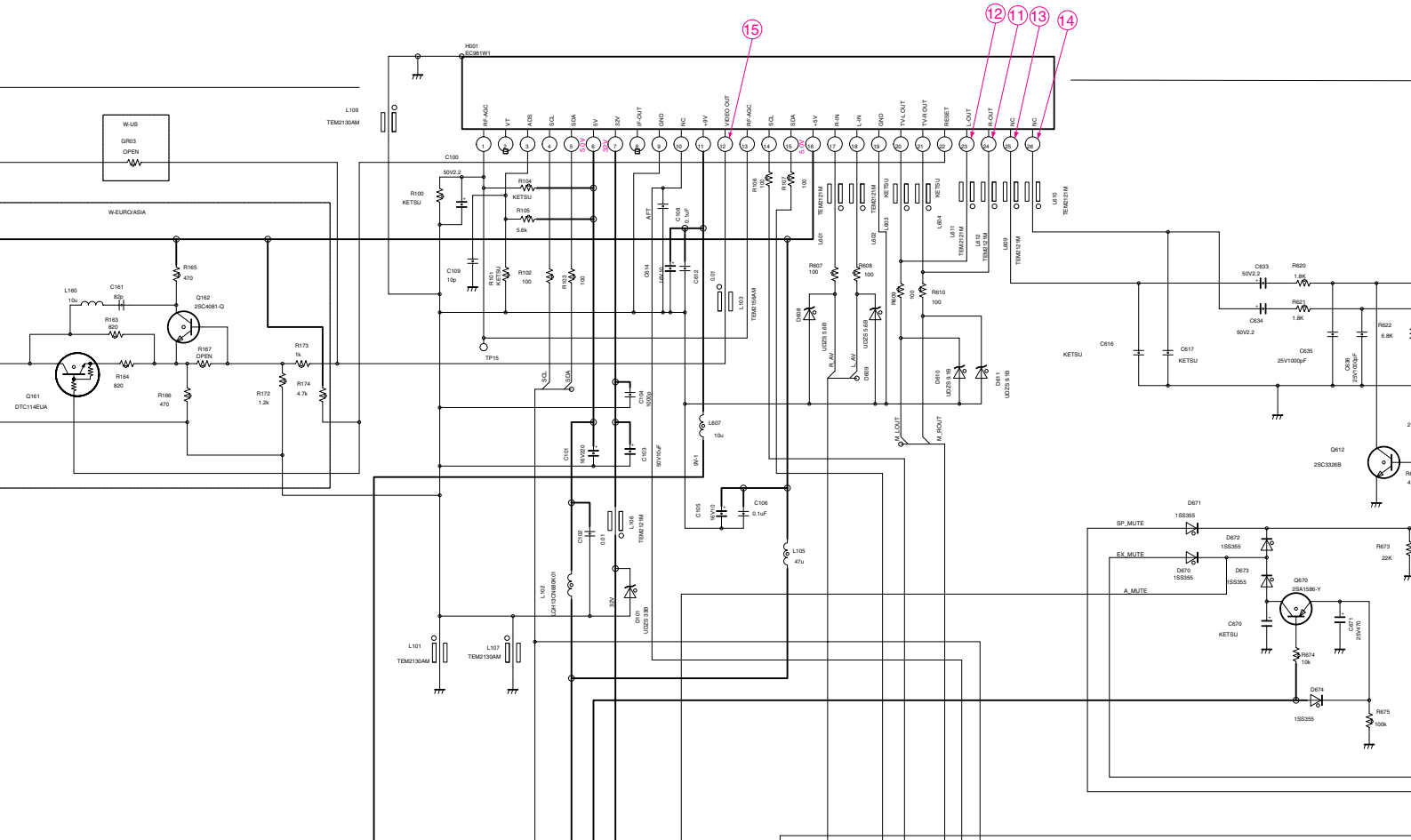


U901A ANALOG MAIN

DIFFERENTIAL LIST

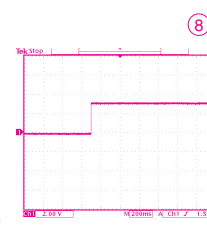
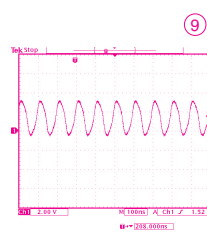
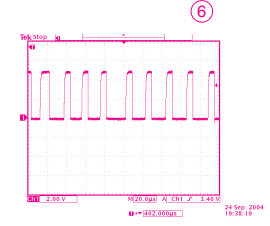
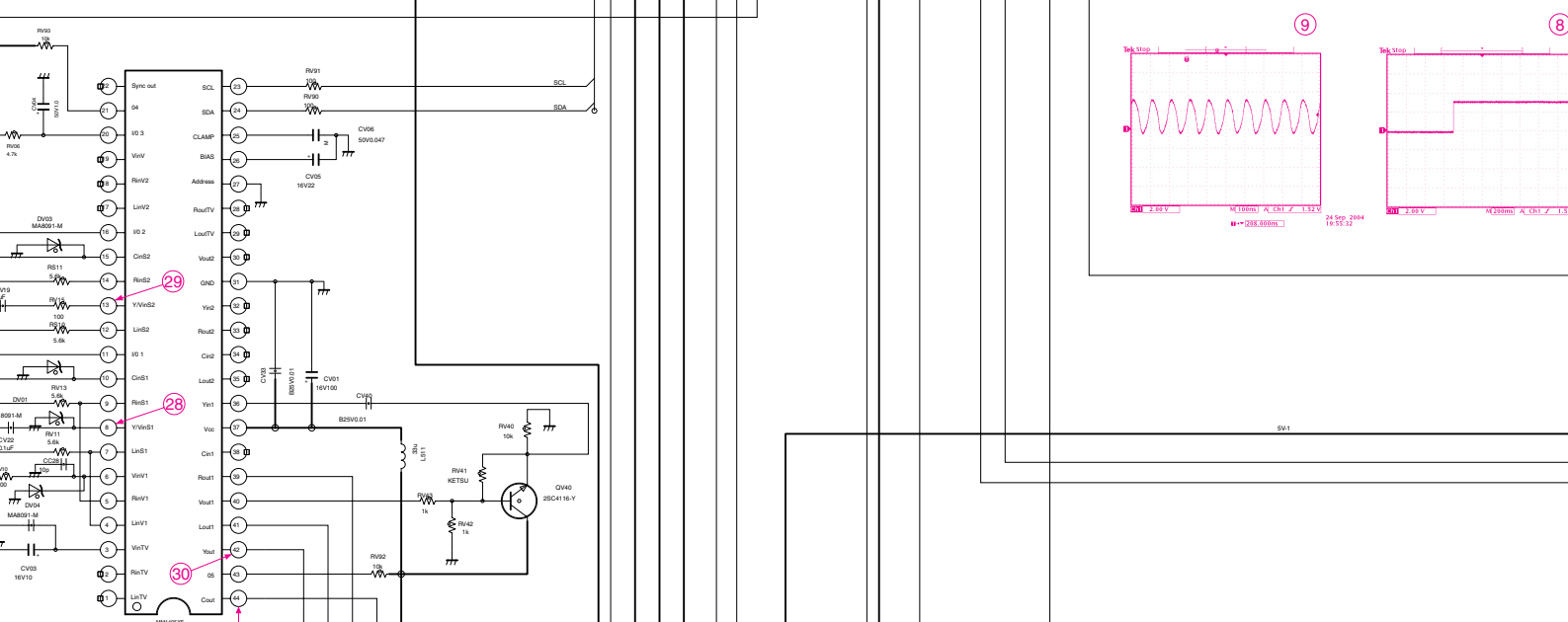
NO.	NAME	DESCRIPTION
1
2
3
4
5
6
7
8
9
10
11
12
13
14
15
16
17
18
19
20
21
22
23
24
25
26
27
28
29
30
31
32
33
34
35
36
37
38
39
40
41
42
43
44
45
46
47
48
49
50
51
52
53
54
55
56
57
58
59
60
61
62
63
64
65
66
67
68
69
70
71
72
73
74
75
76
77
78
79
80
81
82
83
84
85
86
87
88
89
90
91
92
93
94
95
96
97
98
99
100

14JL7E/14JL7H/14JL7R/20JL7E/20JL7H/20JL7R
LCD (MAIN/SUB)
SHEET-1/2



12
11
13
14

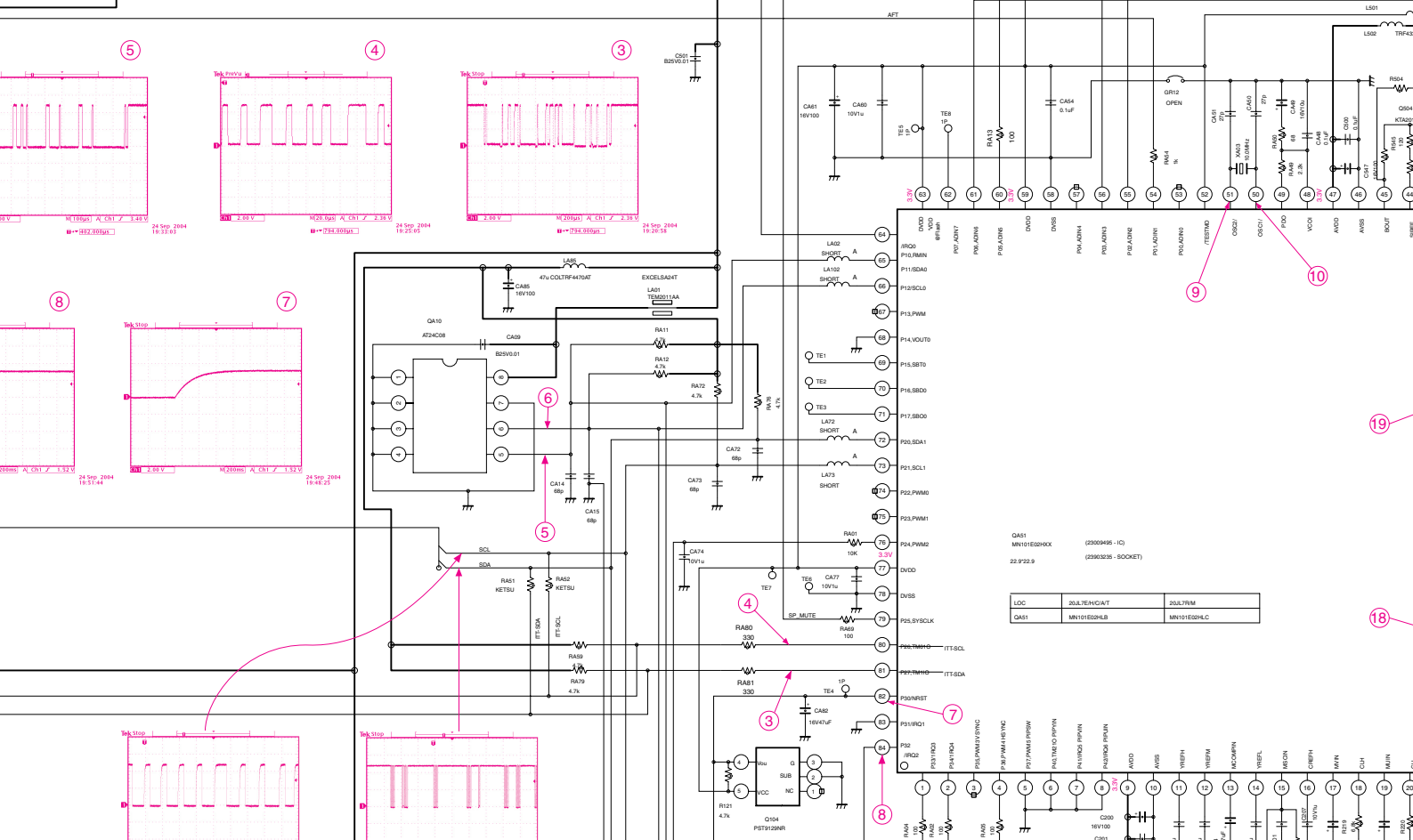
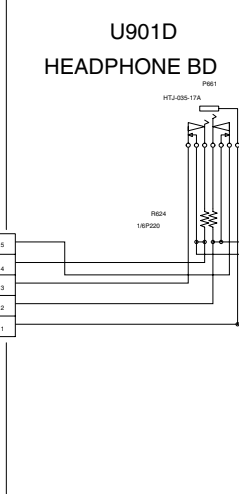
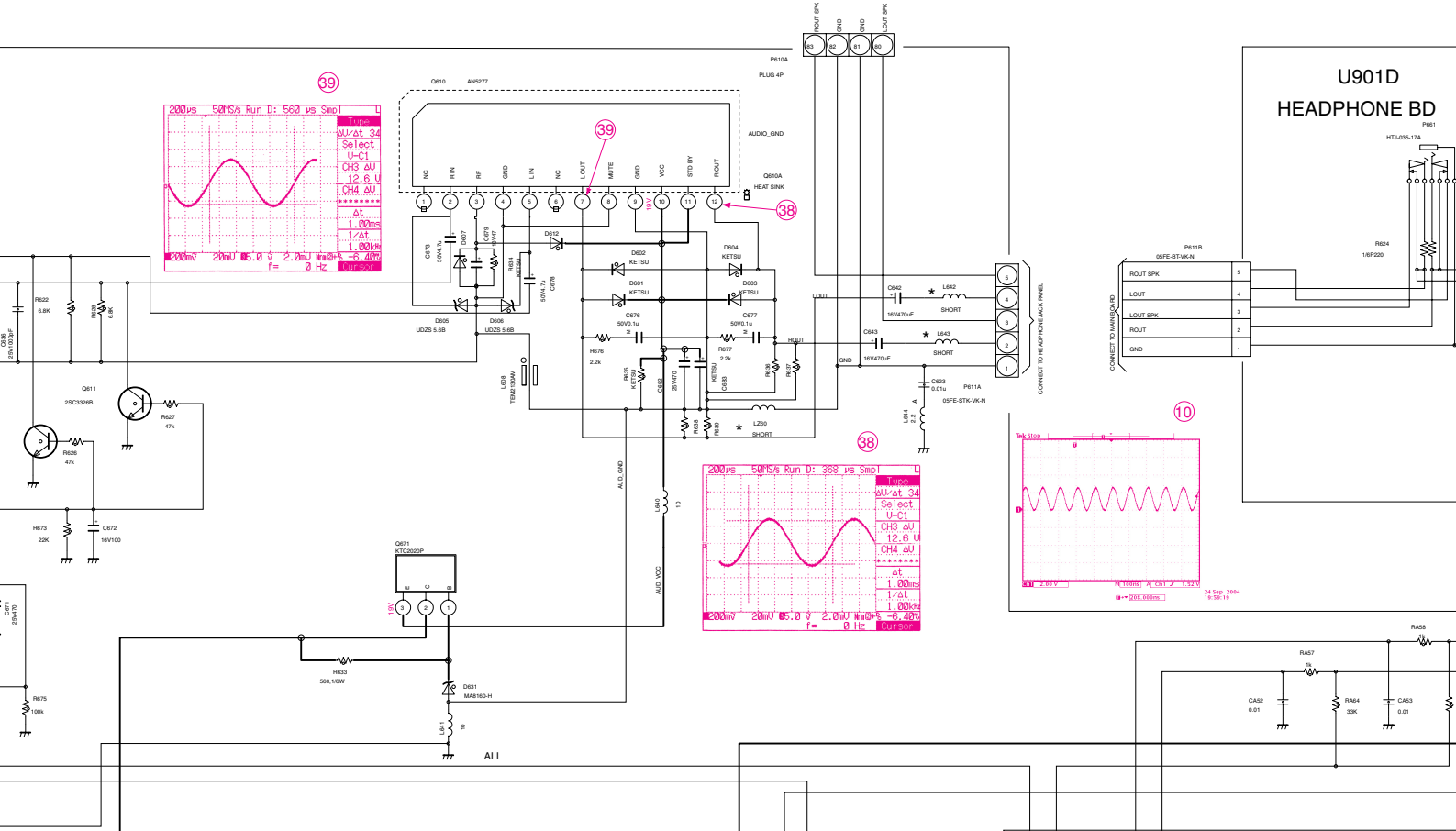
15



29

28

30



G

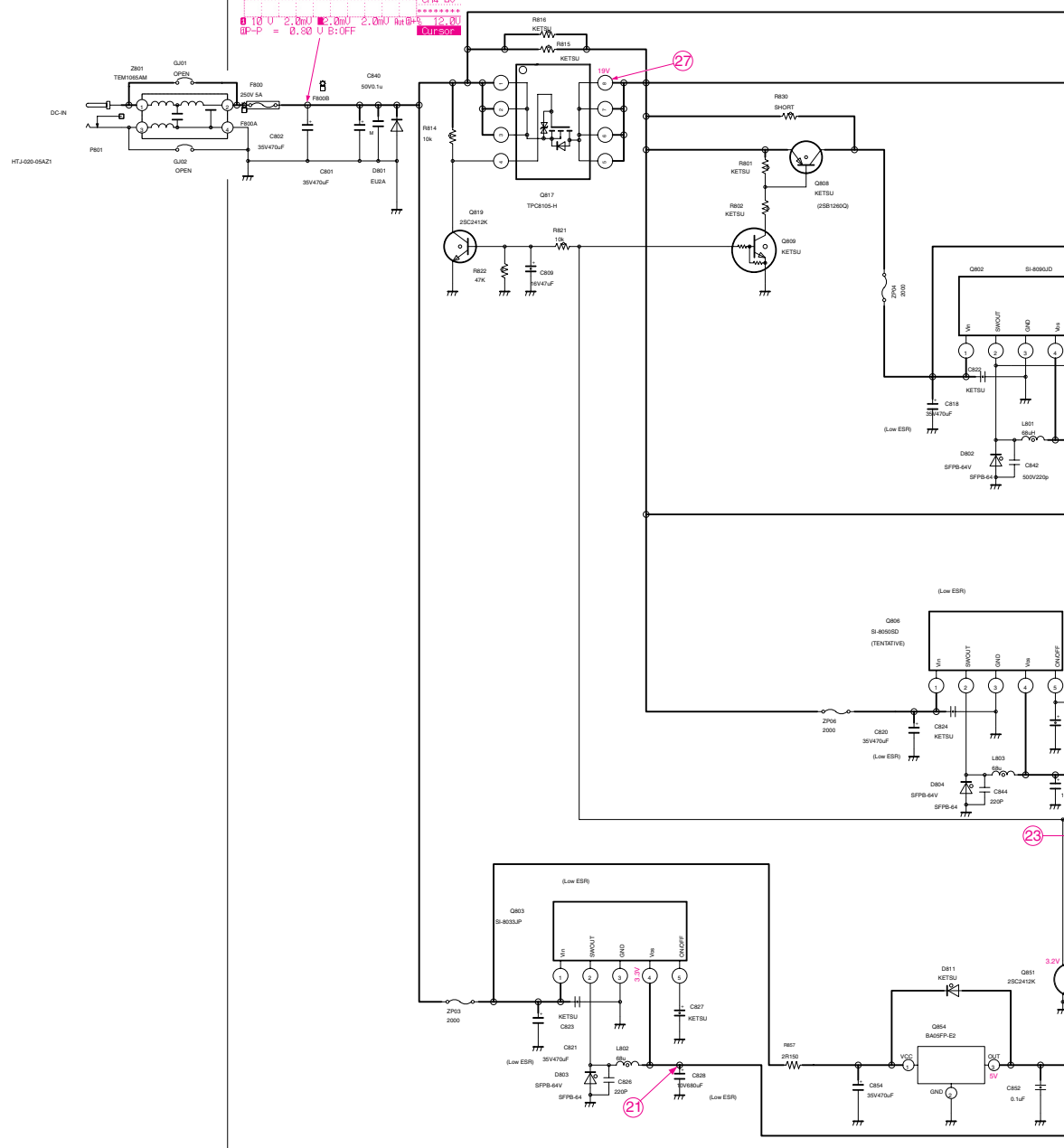
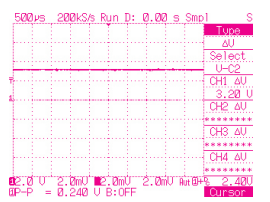
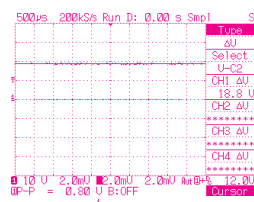
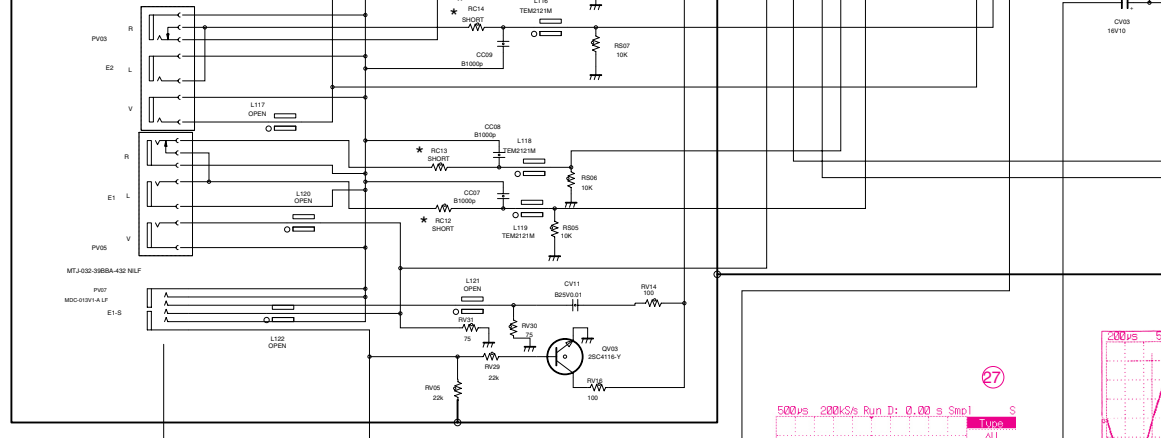
H

I

J

K

L

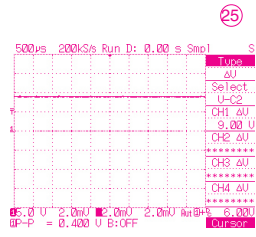
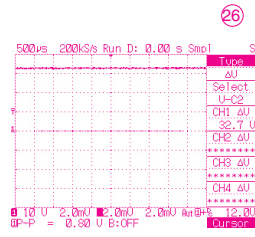
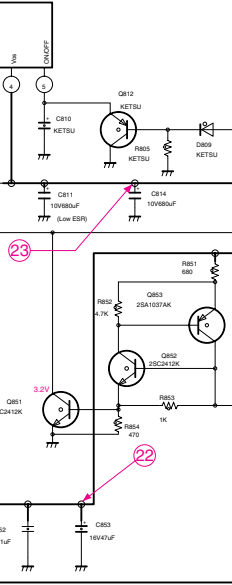
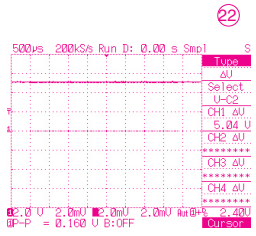
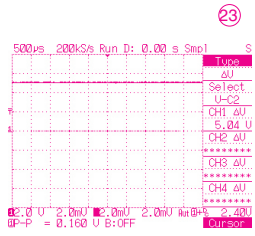
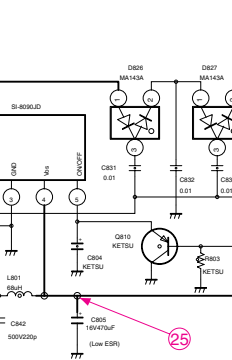
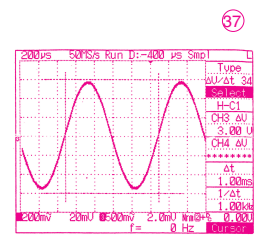
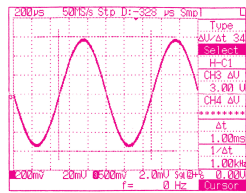
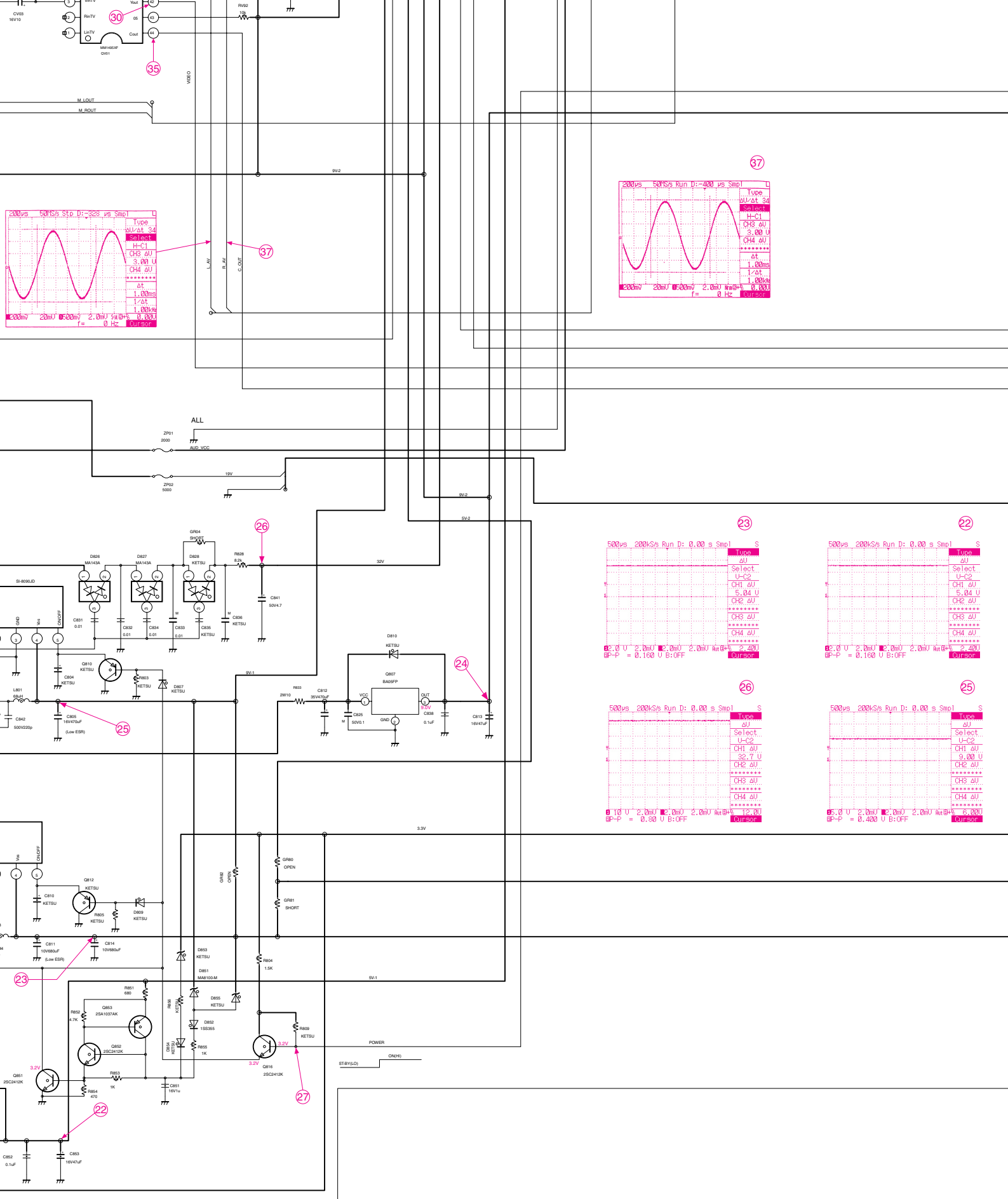


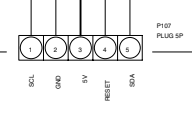
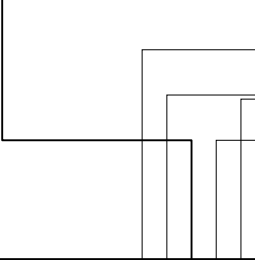
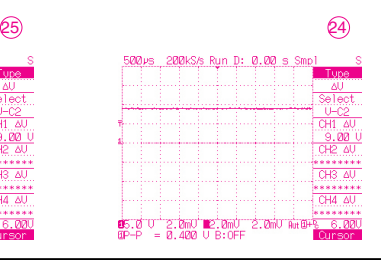
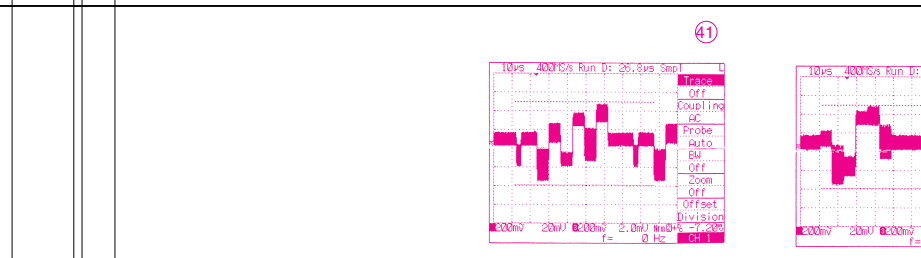
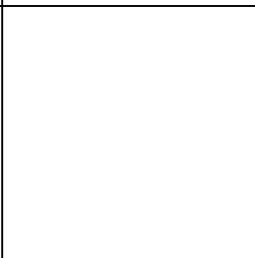
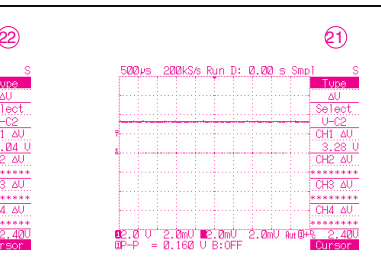
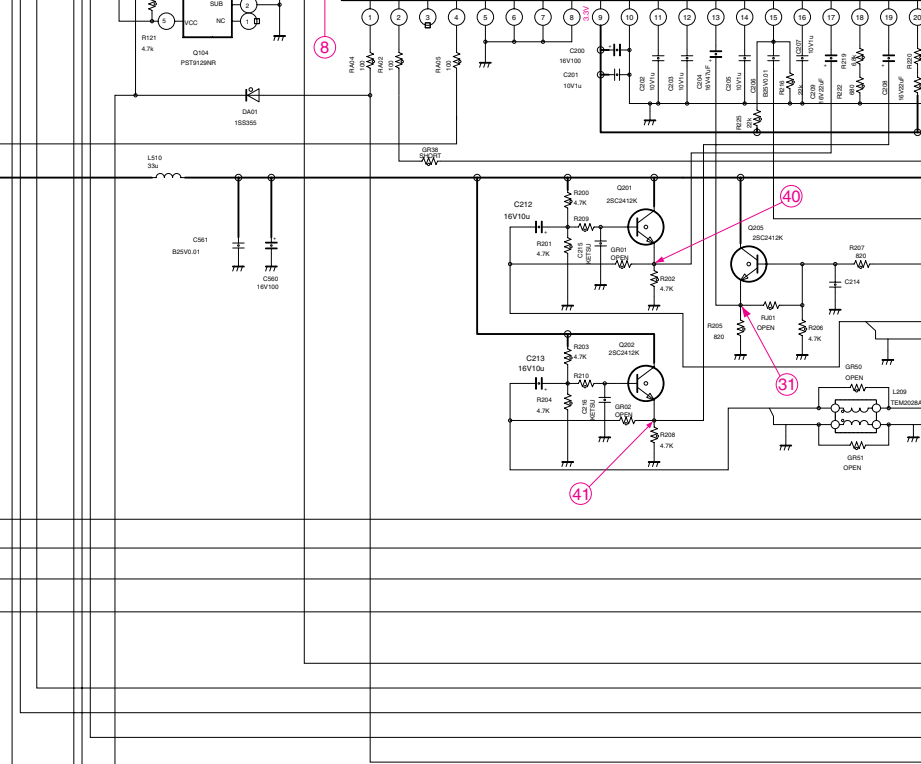
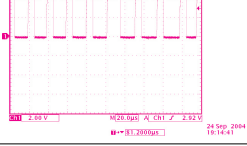
1

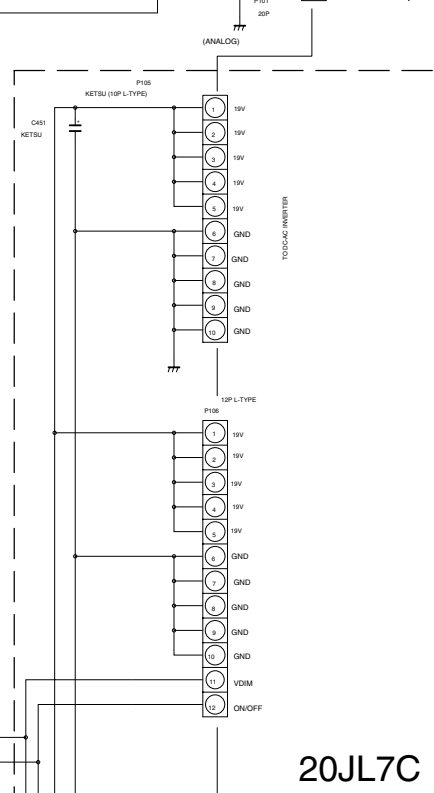
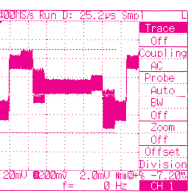
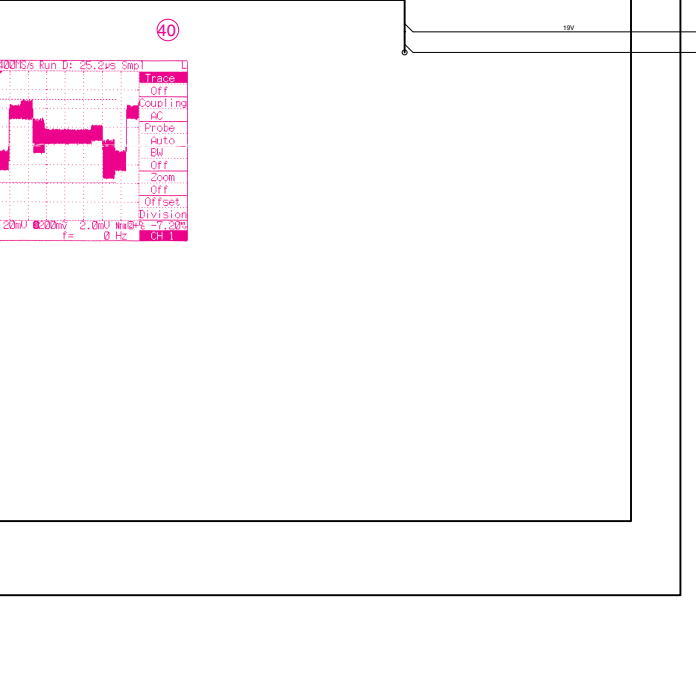
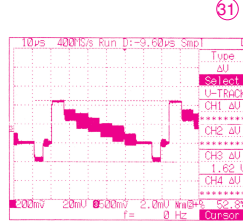
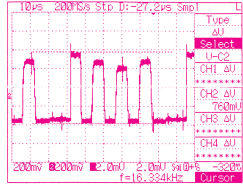
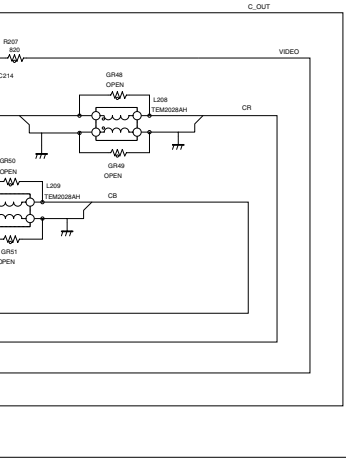
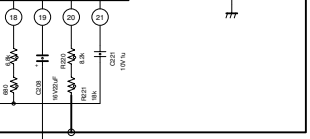
2

3

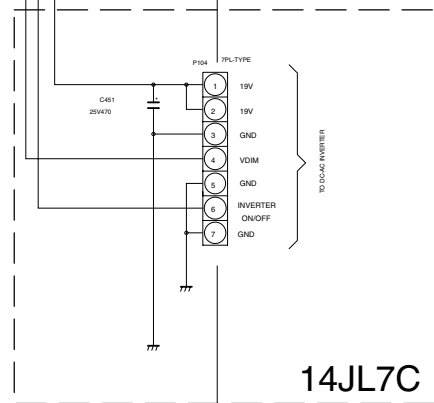
4







20JL7C



14JL7C

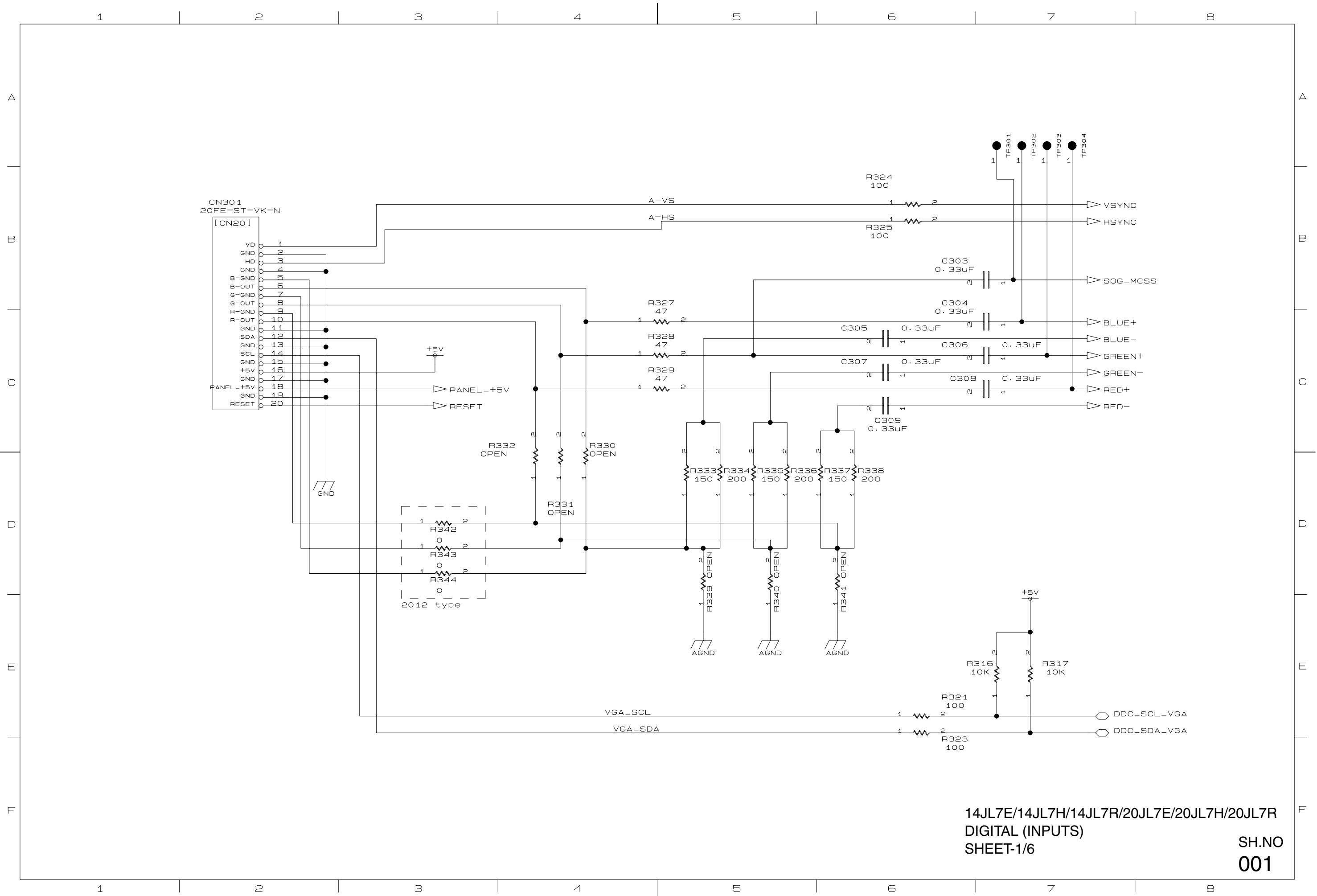
14JL7E/14JL7H/14JL7R/20JL7E/20JL7H/20JL7R
LCD (MAIN/SUB)
SHEET-1/2

13

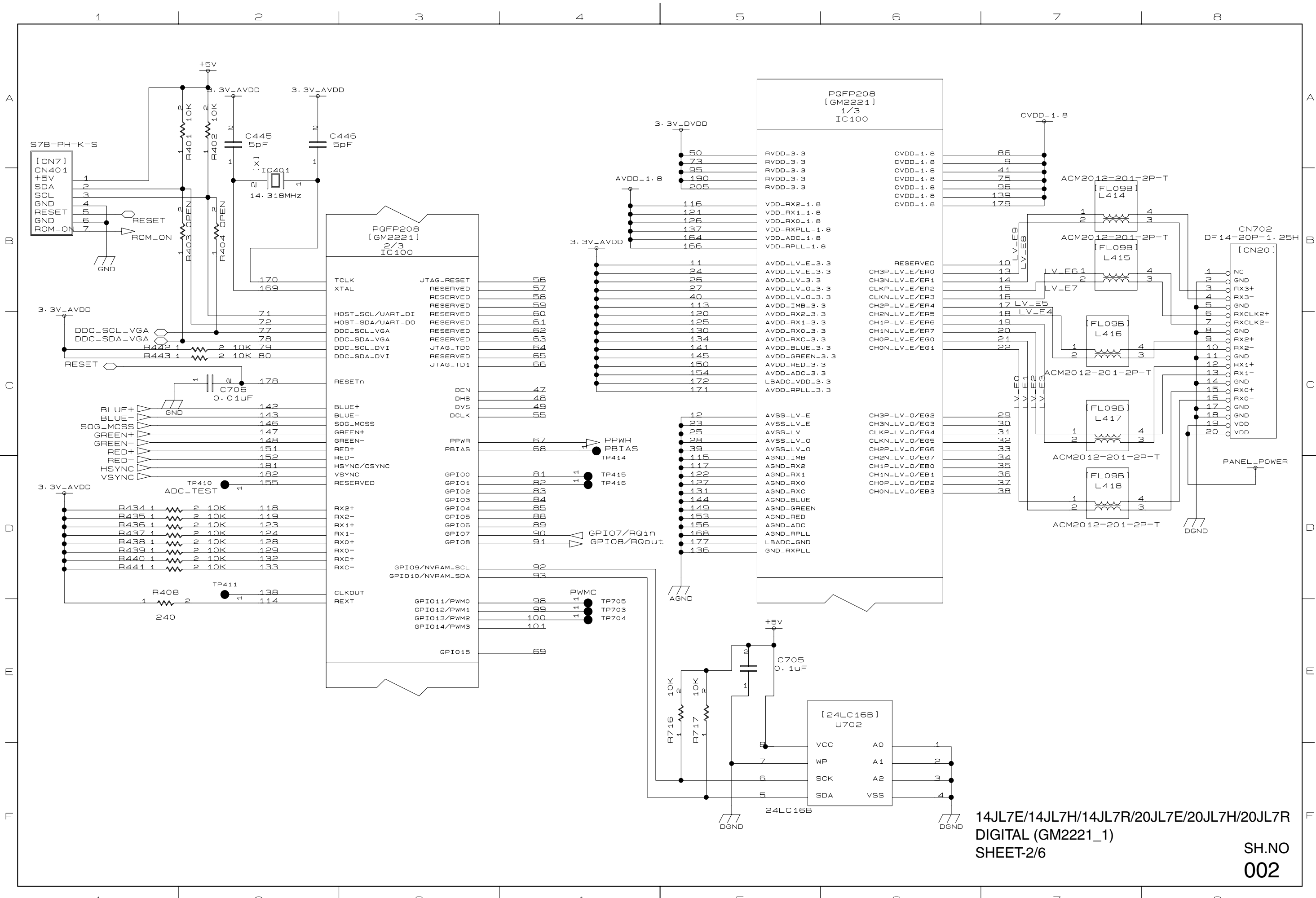
14

15

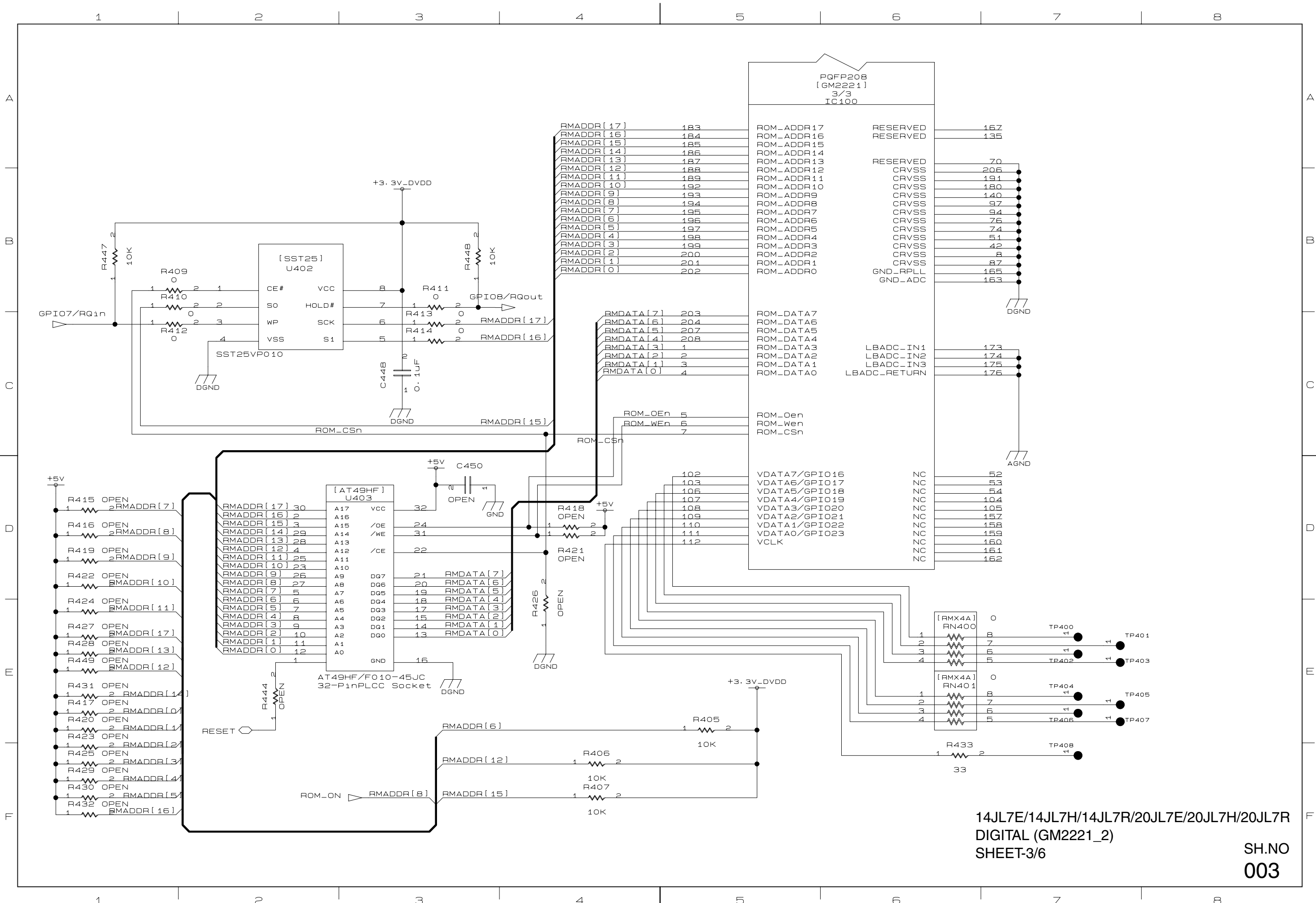
16



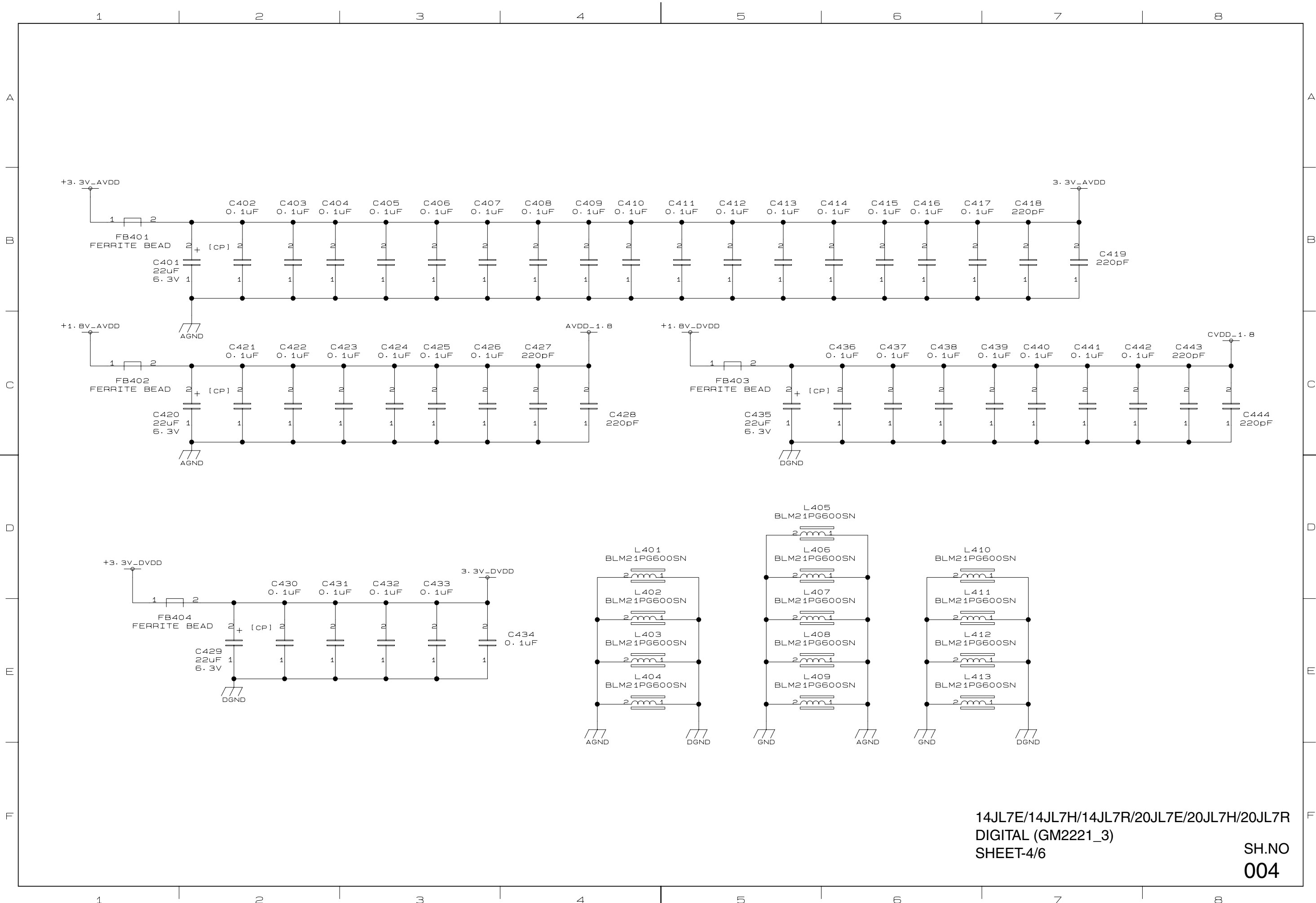
14JL7E/14JL7H/14JL7R/20JL7E/20JL7H/20JL7R
 DIGITAL (INPUTS)
 SHEET-1/6
 SH.NO
 001



14JL7E/14JL7H/14JL7R/20JL7E/20JL7H/20JL7R
 DIGITAL (GM2221_1)
 SHEET-2/6
 SH.NO
 002

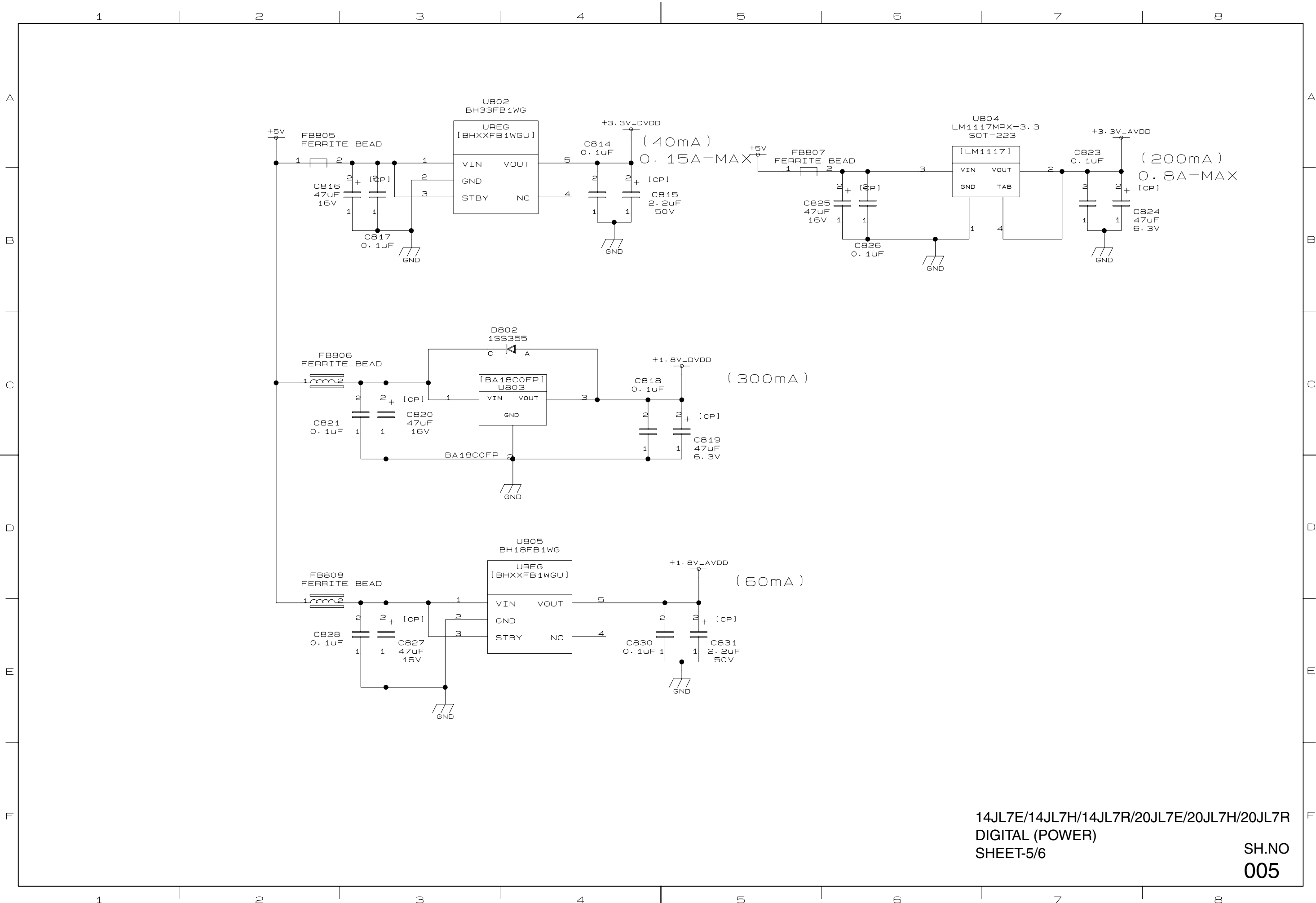


14JL7E/14JL7H/14JL7R/20JL7E/20JL7H/20JL7R
 DIGITAL (GM2221_2)
 SHEET-3/6
 SH.NO
 003



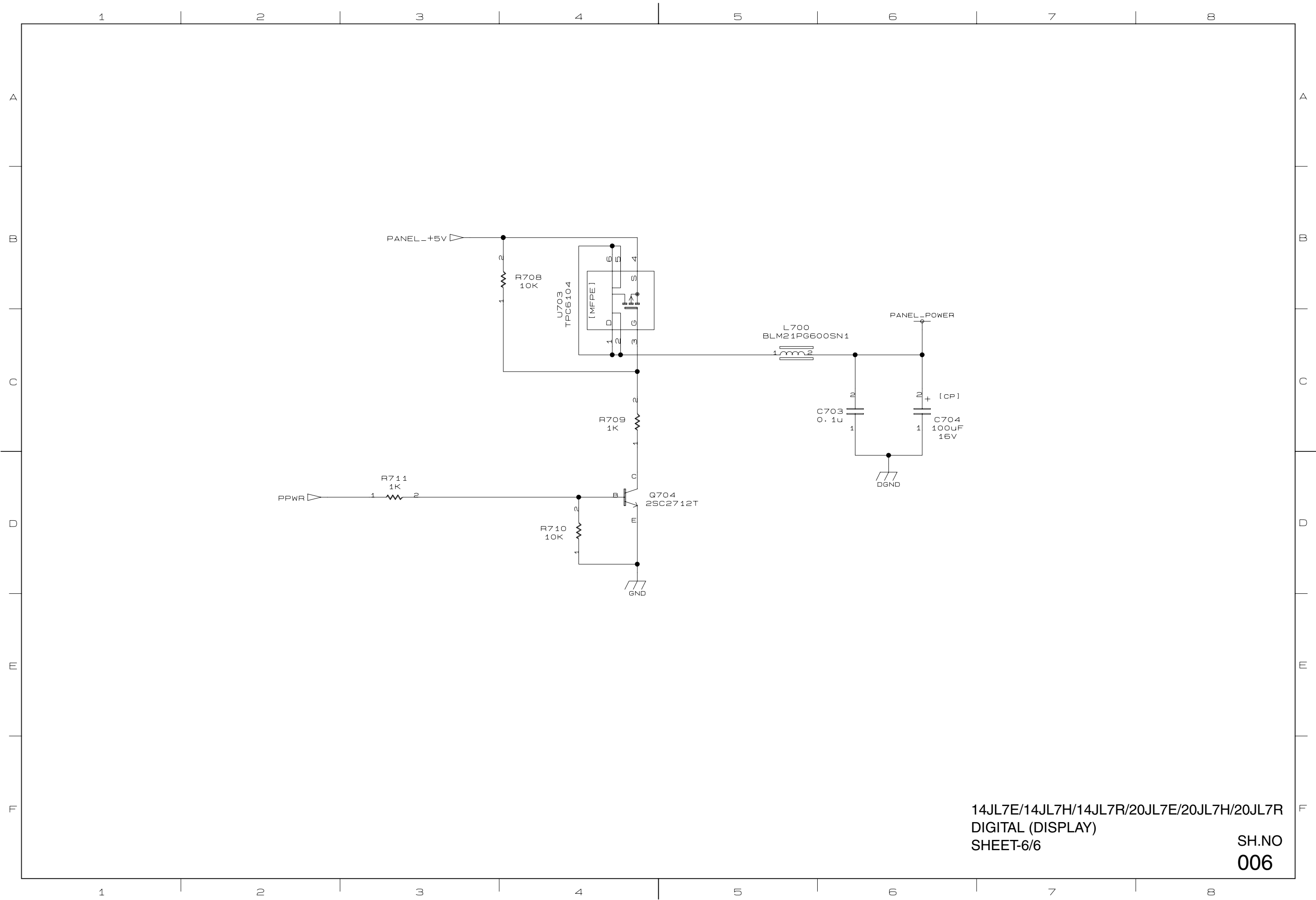
14JL7E/14JL7H/14JL7R/20JL7E/20JL7H/20JL7R
 DIGITAL (GM2221_3)
 SHEET-4/6

SH.NO
 004



14JL7E/14JL7H/14JL7R/20JL7E/20JL7H/20JL7R
 DIGITAL (POWER)
 SHEET-5/6

SH.NO
 005



14JL7E/14JL7H/14JL7R/20JL7E/20JL7H/20JL7R
 DIGITAL (DISPLAY)
 SHEET-6/6
 SH.NO
 006