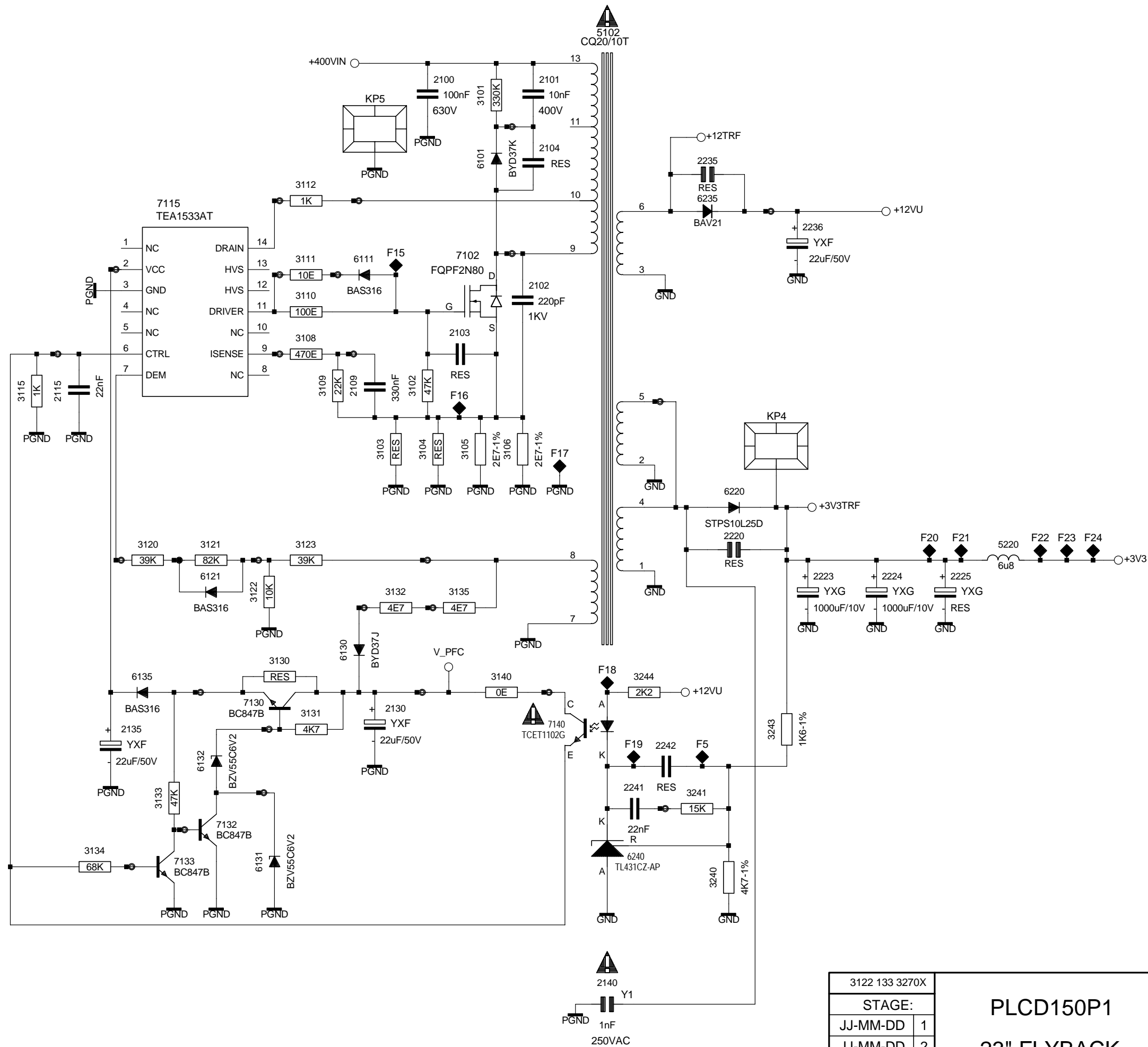
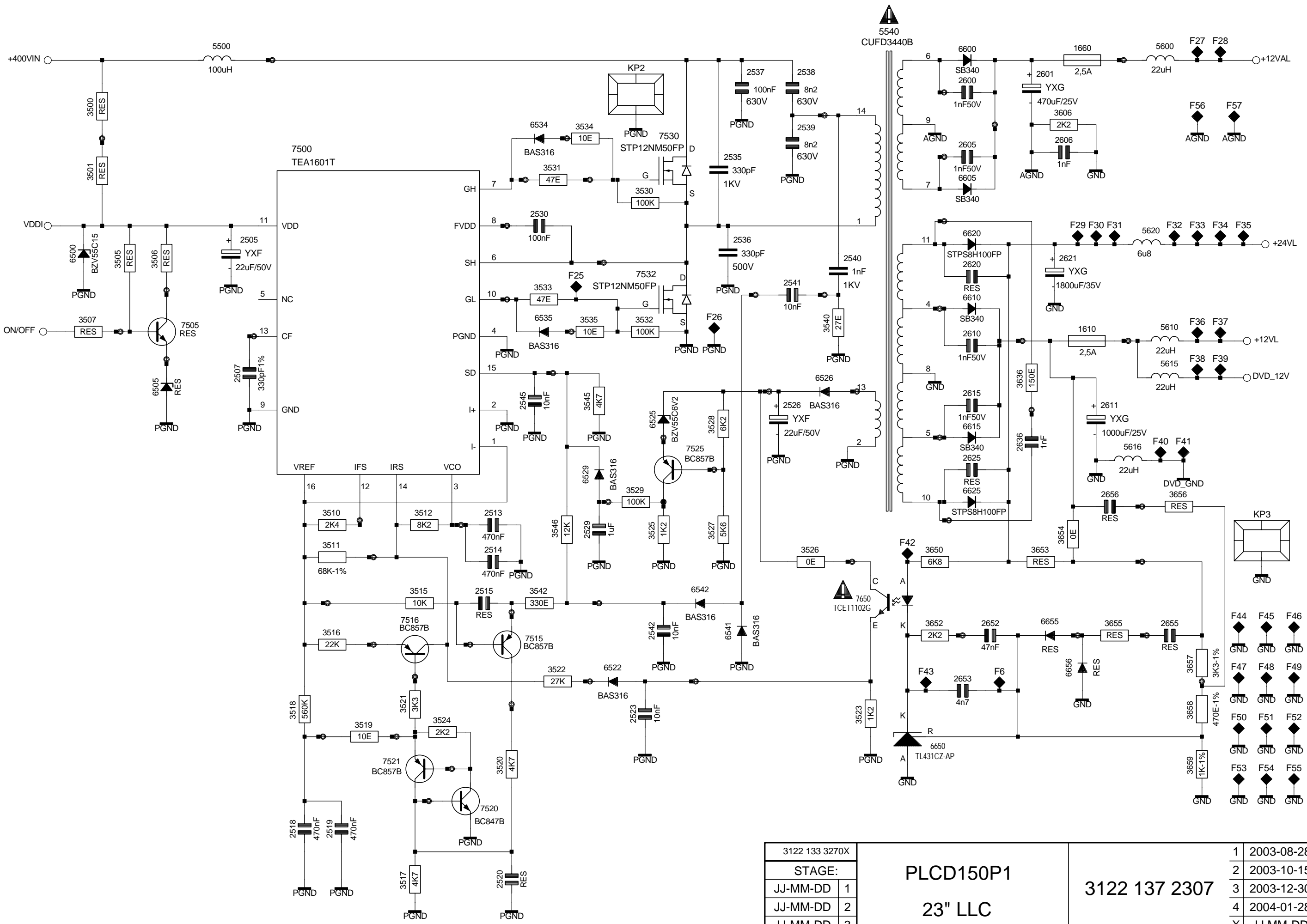


3122 133 3270X	PLCD150P1 23" PFC	1	2003-08-28
STAGE:		2	2003-10-15
JJ-MM-DD 1		3	2003-12-30
JJ-MM-DD 2		4	2004-01-28
JJ-MM-DD 3		X	JJ MM-DD
NAME: T.V.VLERKEN		DZSW	SHEET: 1 OF 3
		130	A3 P2004041



3122 133 3270X	PLCD150P1 23" FLYBACK	1	2003-08-28
STAGE:		2	2003-10-15
JJ-MM-DD 1		3	2003-12-30
JJ-MM-DD 2		4	2004-01-28
JJ-MM-DD 3		X	JJ MM-DD
NAME: T.V.VLERKEN	DZSW	SHEET: 2 OF 3	130 A3 P2004041



3122 133 3270X			1	2003-08-28
STAGE:		PLCD150P1	2	2003-10-15
JJ-MM-DD	1	23" LLC	3	2003-12-30
JJ-MM-DD	2		4	2004-01-28
JJ-MM-DD	3		X	JJ MM-DD
NAME: T.V.VLERKEN		DZSW	SHEET: 3 OF 3	130 A3 P2004041