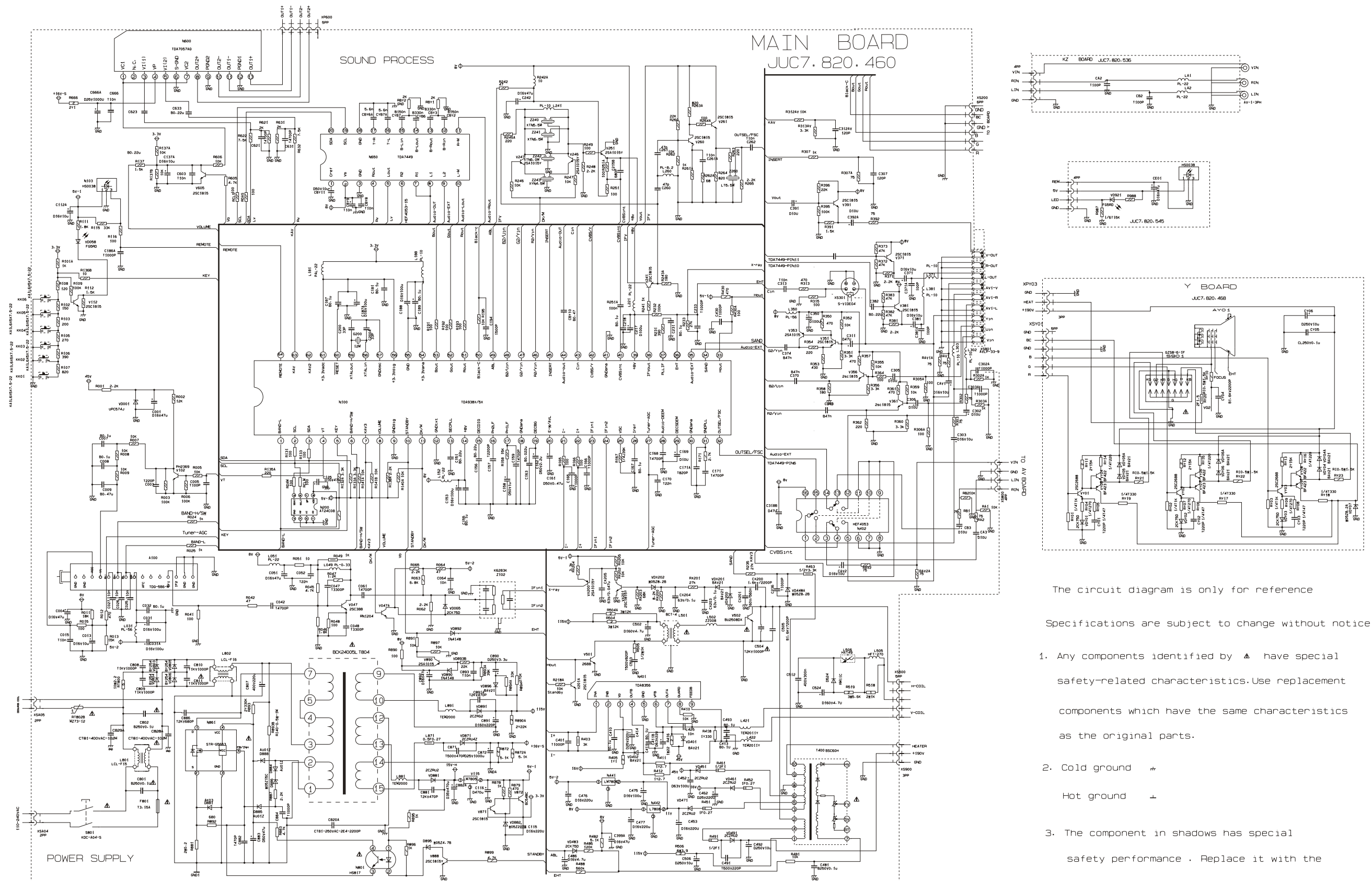


CIRCUIT DIAGRAM FOR G2136



The circuit diagram is only for reference
 Specifications are subject to change without notice

- Any components identified by ▲ have special safety-related characteristics. Use replacement components which have the same characteristics as the original parts.
- Cold ground ⊖
Hot ground ⊕
- The component in shadows has special safety performance. Replace it with the same specifications as the original's