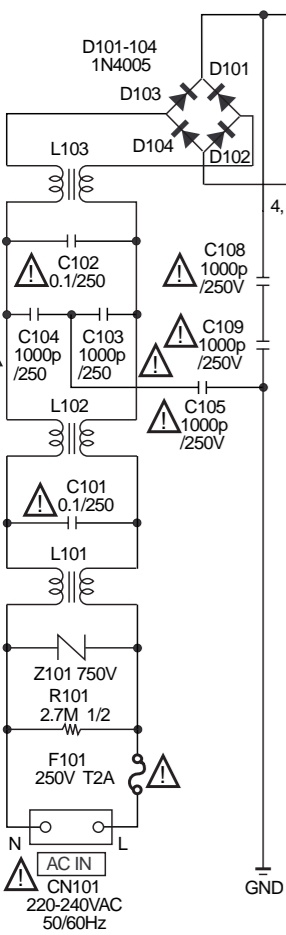
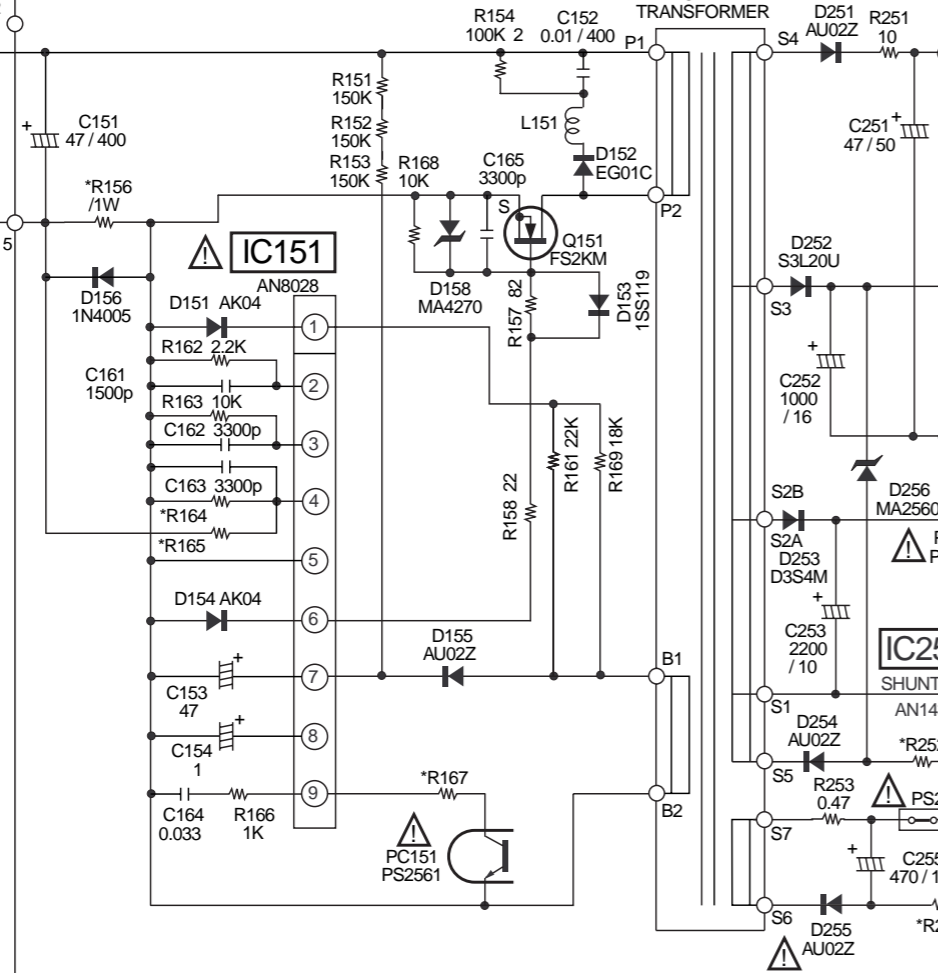


# POWER BLOCK (SR826)

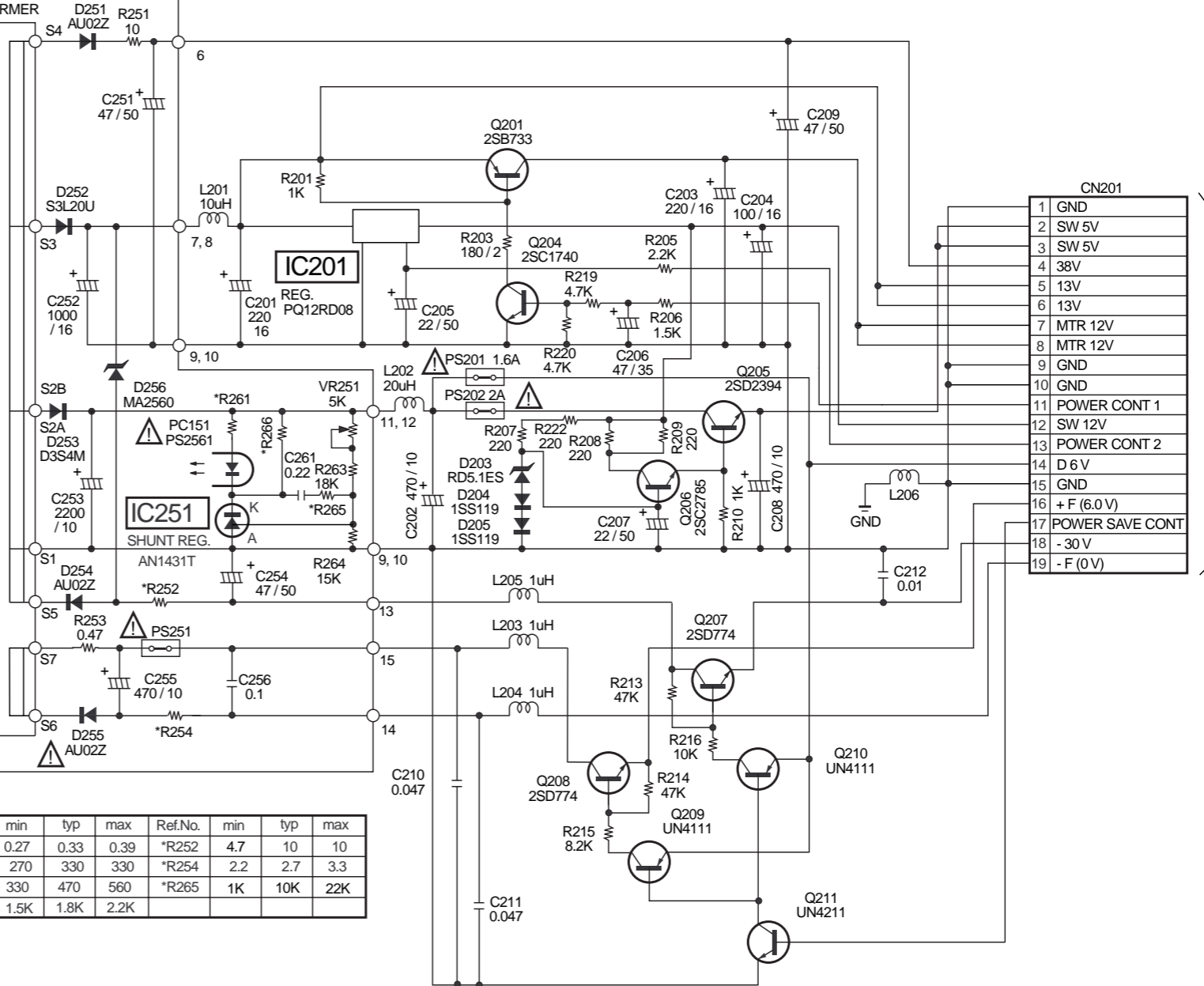
## MAIN BOARD



## SUB BOARD



# SLV-E830B/E830NP/E830VC1/E830VC2



CN201	
1	GND
2	SW 5V
3	SW 5V
4	38V
5	13V
6	13V
7	MTR 12V
8	MTR 12V
9	GND
10	GND
11	POWER CONT 1
12	SW 12V
13	POWER CONT 2
14	D 6V
15	GND
16	+ F (6.0V)
17	POWER SAVE CONT
18	- 30V
19	- F (0V)

(E)  
TO/FROM  
MA-316  
BOARD  
CN600  
(SEE PAGE  
4-16)

**Note:**  
The components identified by mark or dotted line with mark are critical for safety.  
Replace only with part number specified.

Ref.No.	min	typ	max	Ref.No.	min	typ	max
*R156	0.27	0.33	0.39	*R252	4.7	10	10
*R164	270	330	330	*R254	2.2	2.7	3.3
*R165	330	470	560	*R265	1K	10K	22K
*R167	1.5K	1.8K	2.2K				