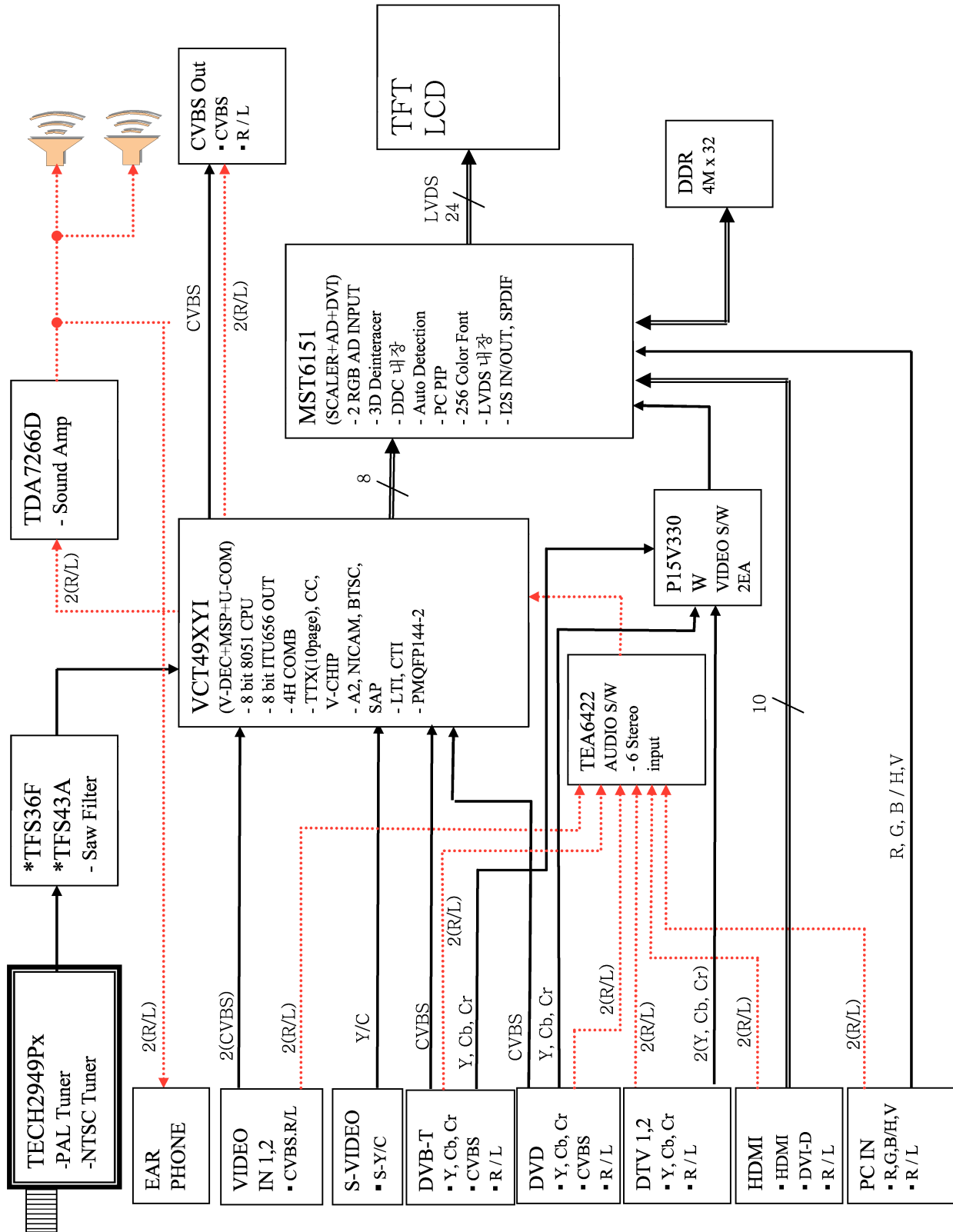
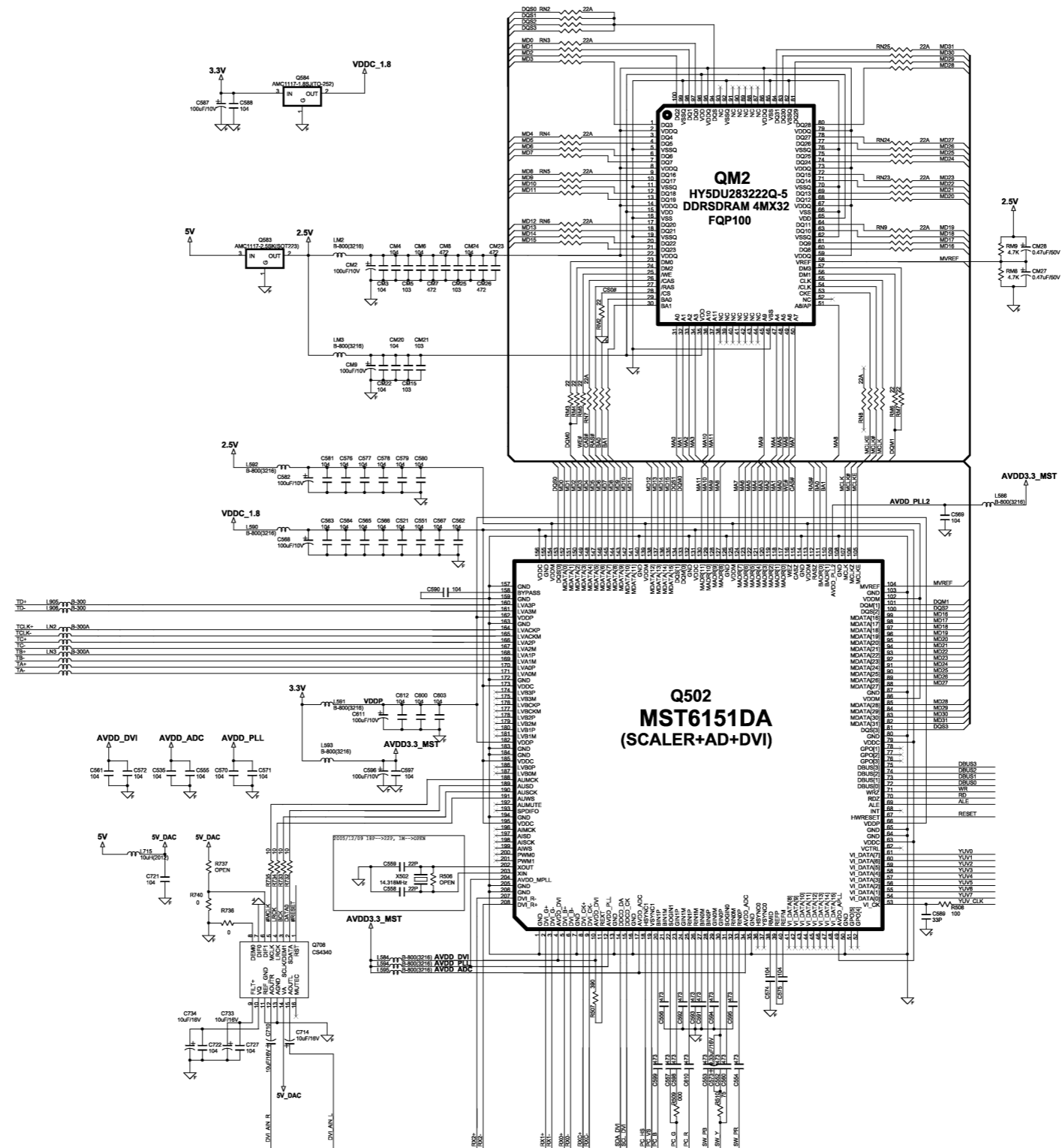


6. Block Diagrams (PAL COMPONENT, NTSC)

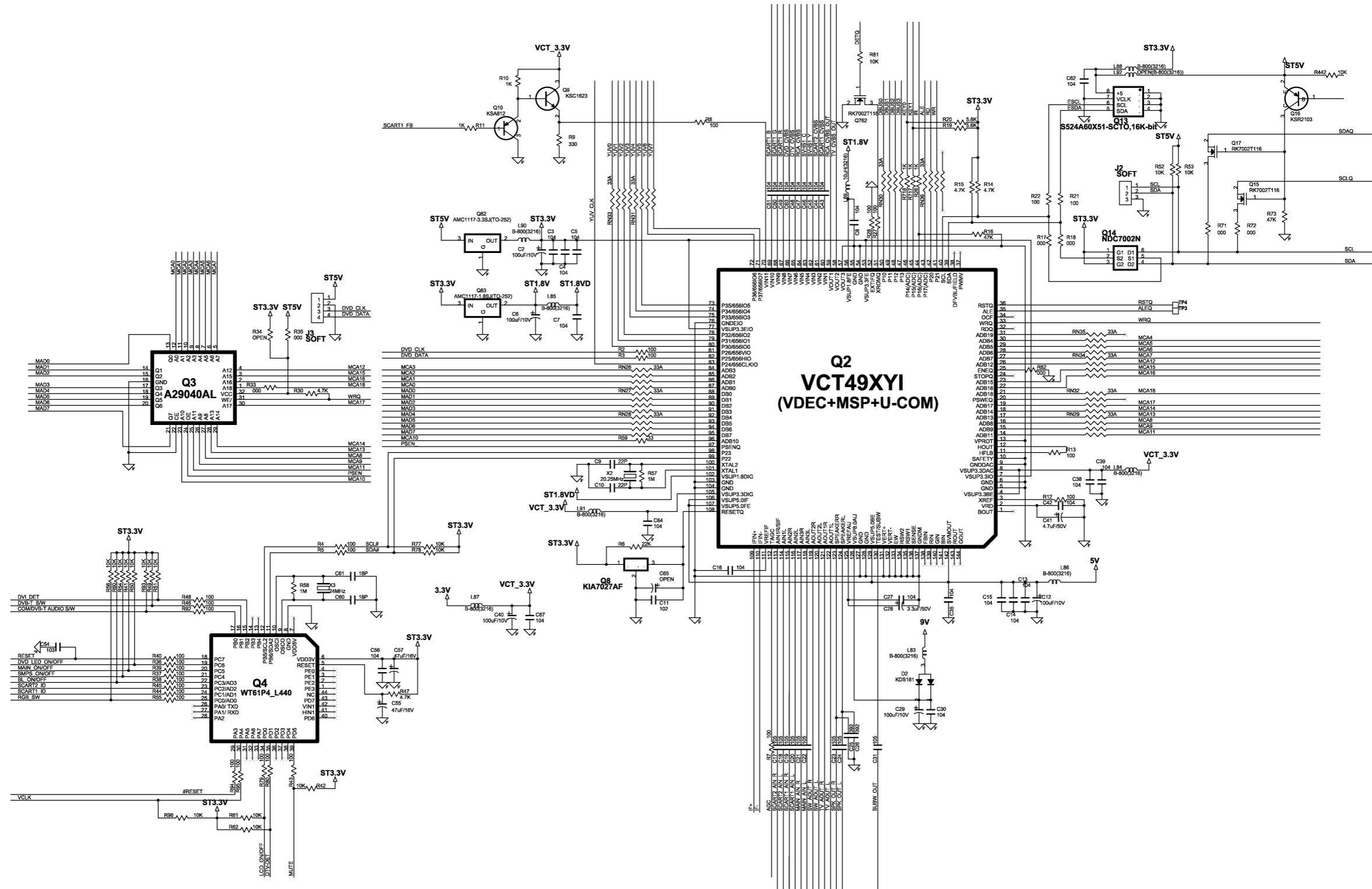


7. Schematic Diagrams

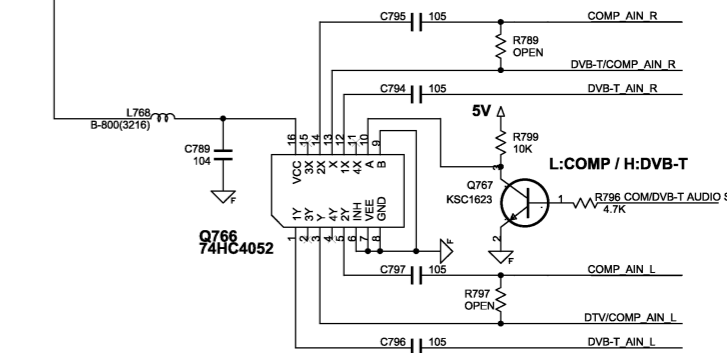
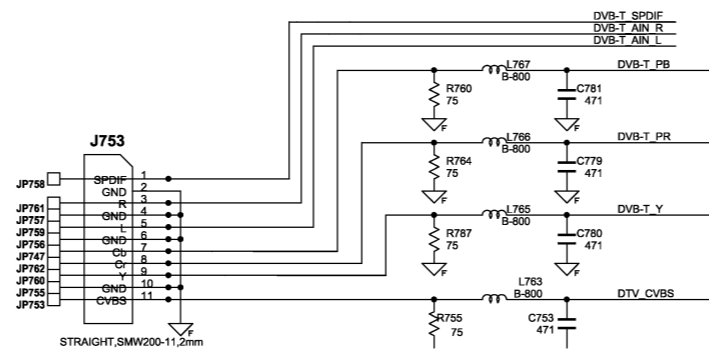
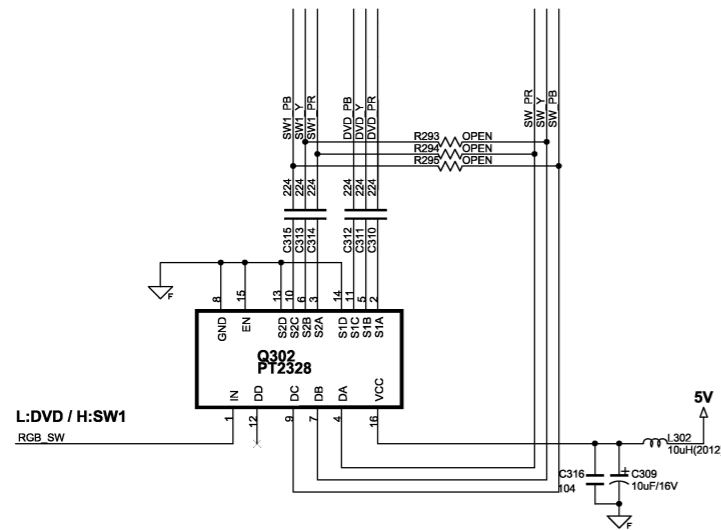
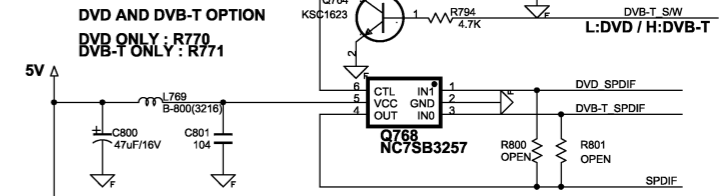
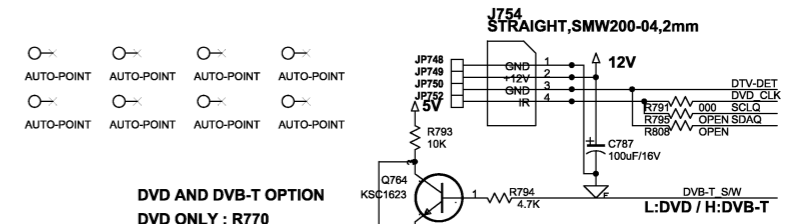
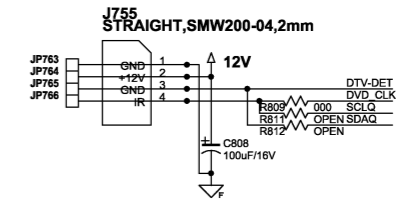
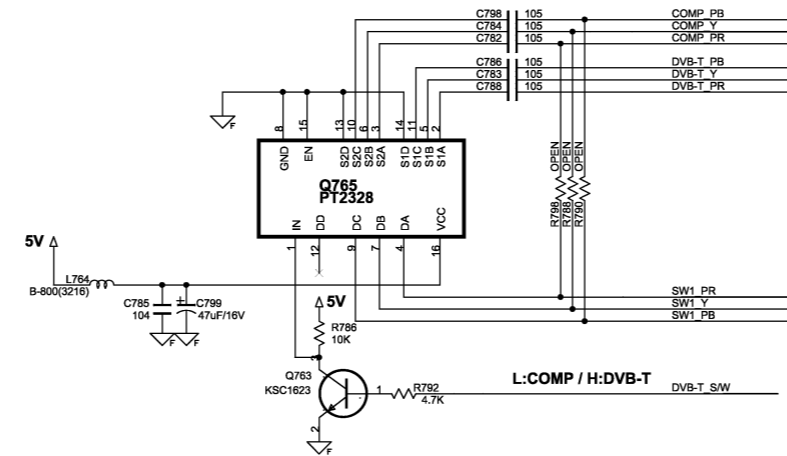
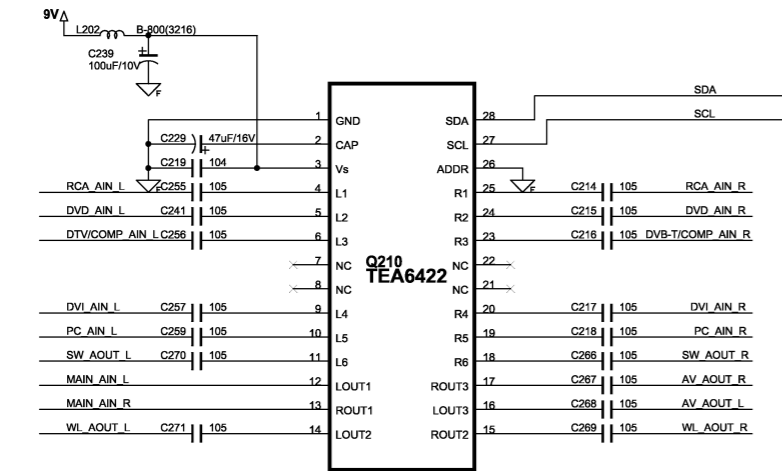
MAIN-Scaler,DDR (PAL)



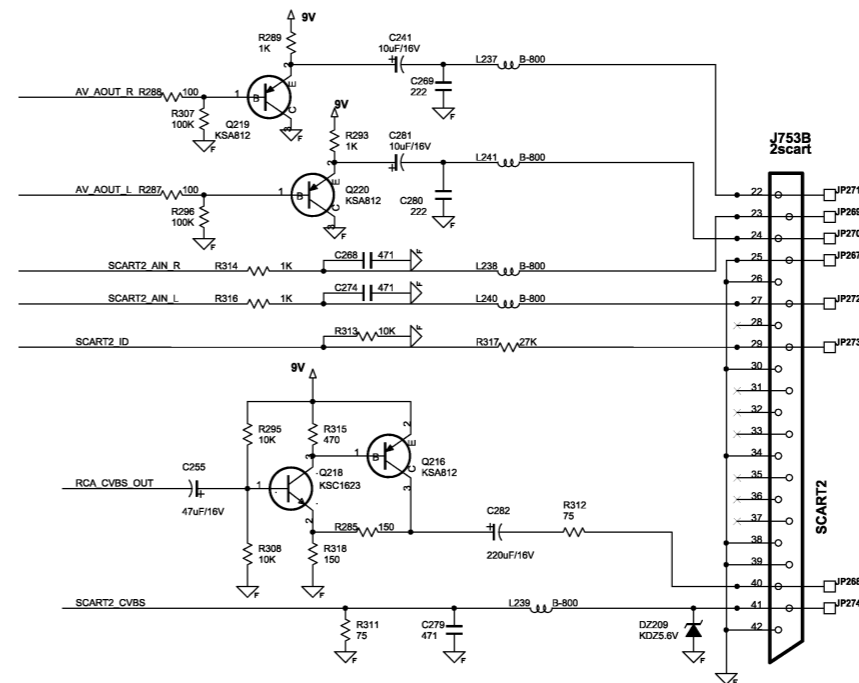
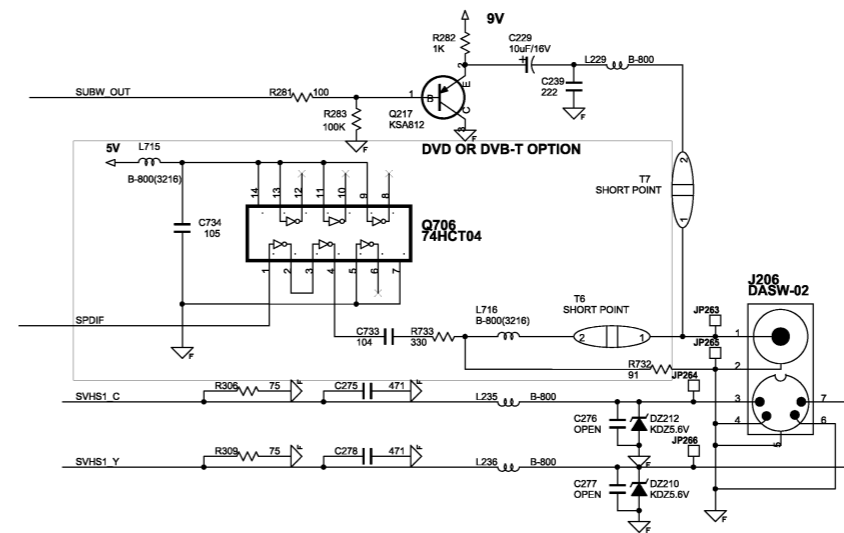
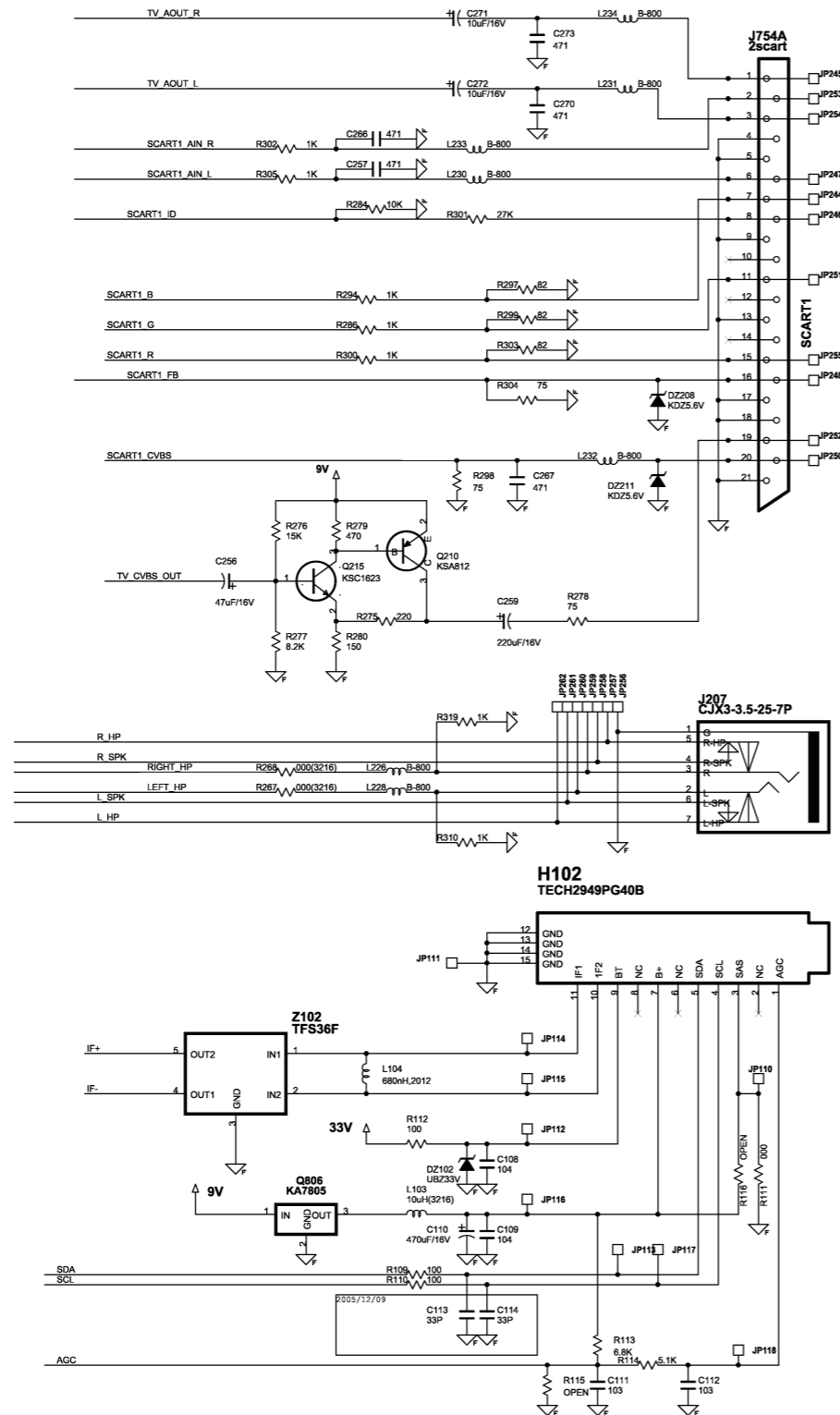
MAIN-Micom&MSP (PAL)



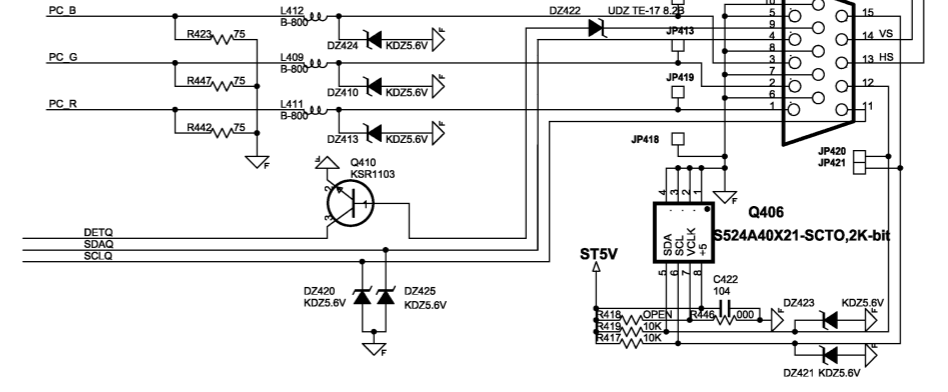
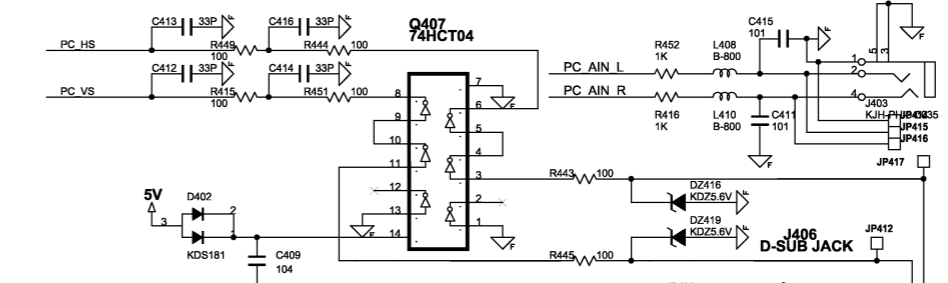
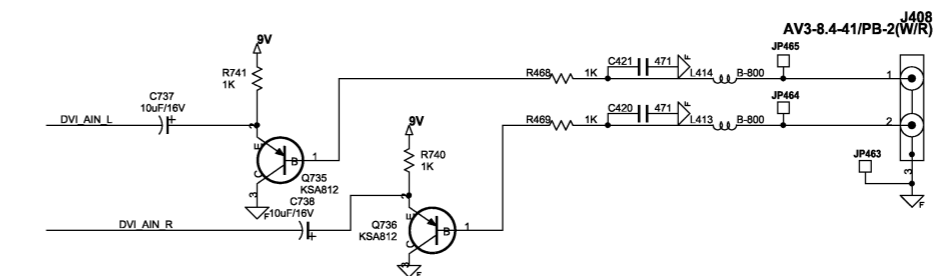
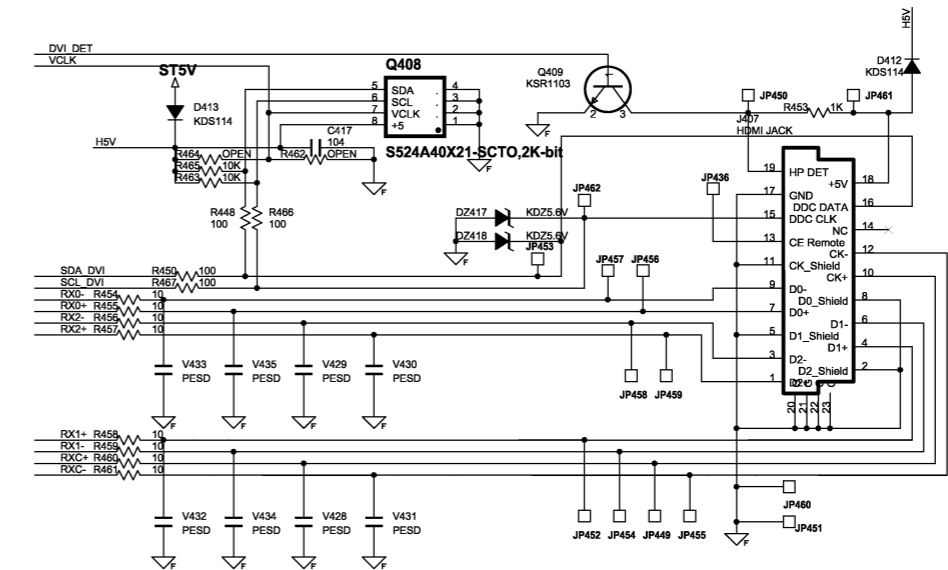
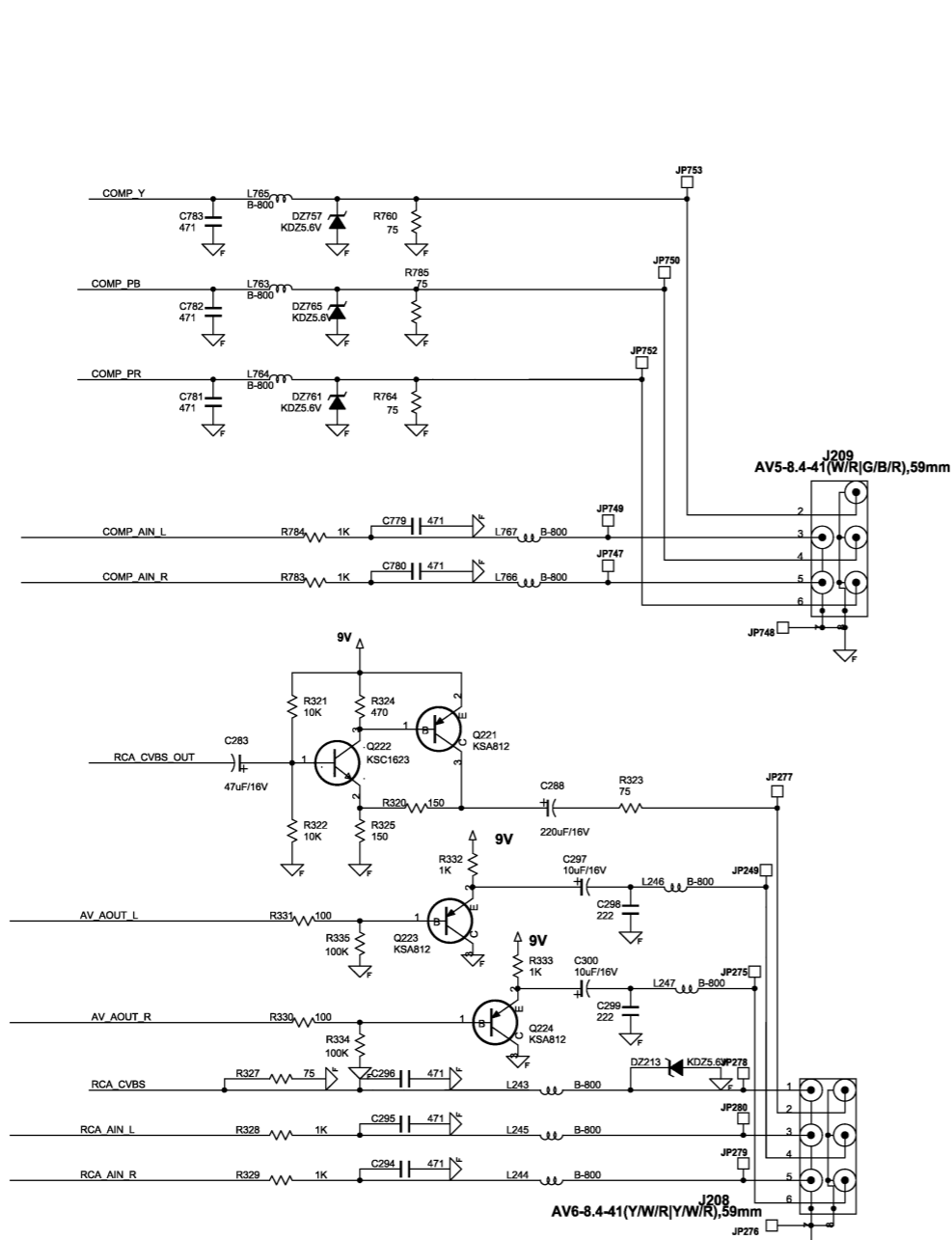
MAIN-AV SWITCH (PAL)



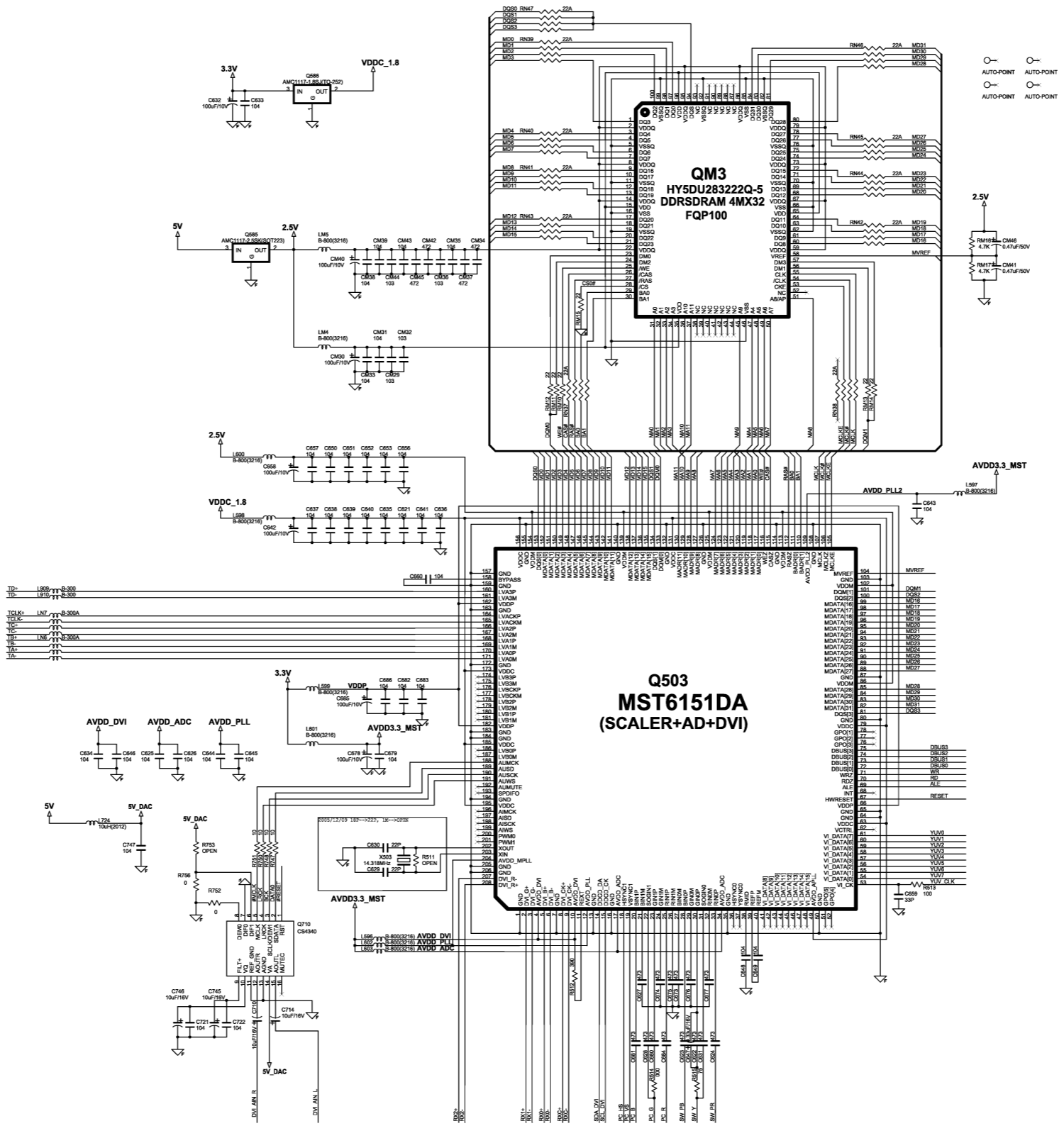
MAIN-AV JACK I (PAL)



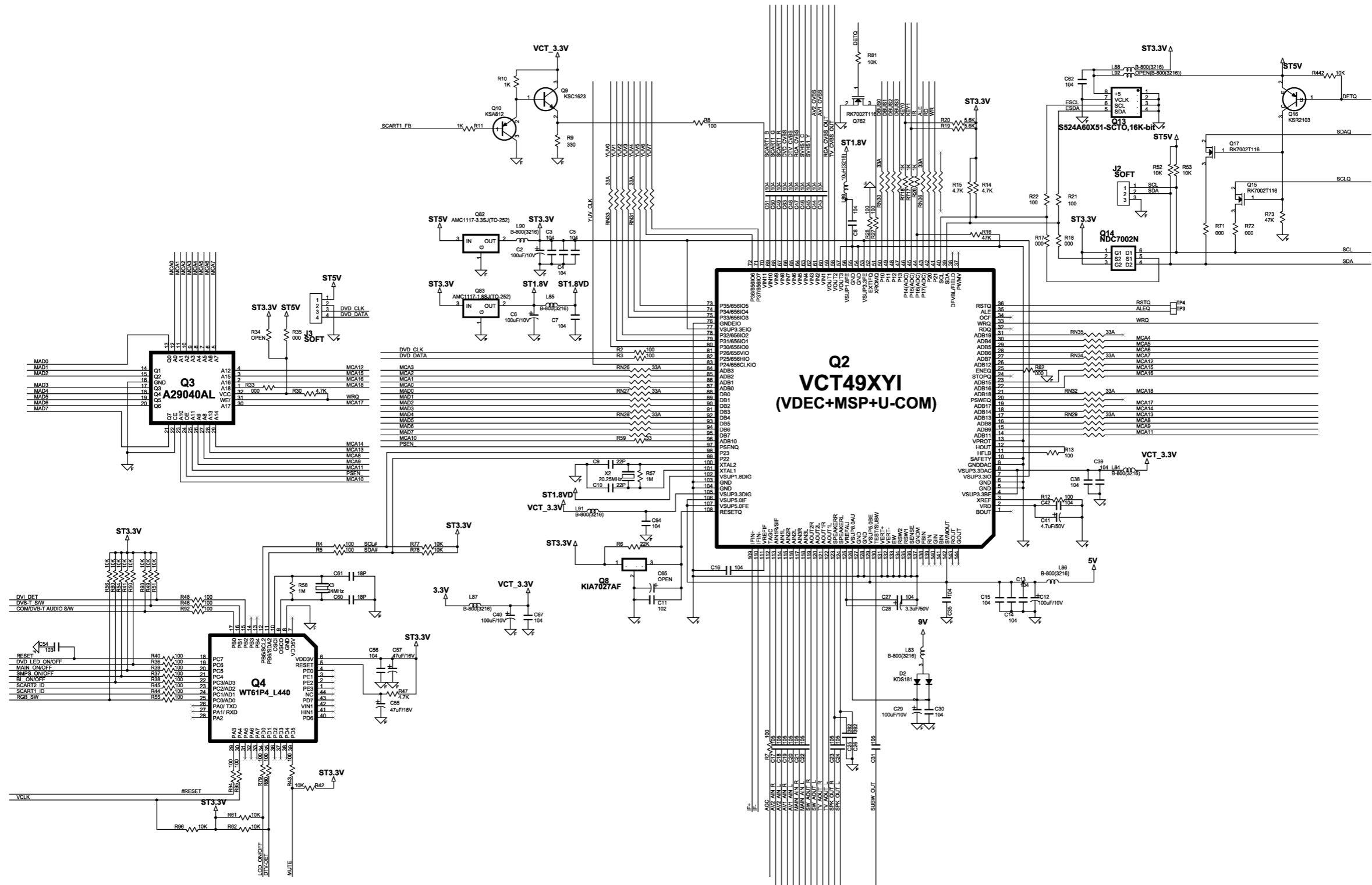
MAIN-AV JACK II (PAL)



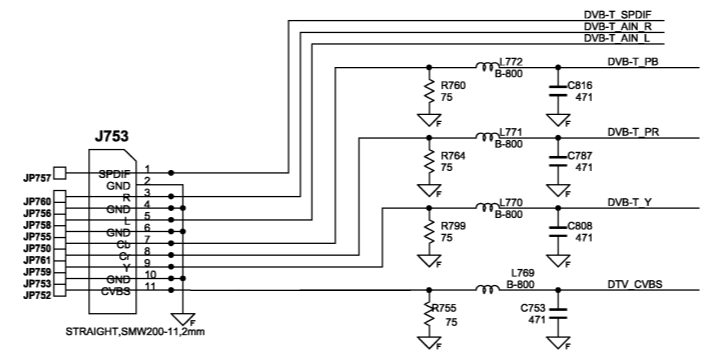
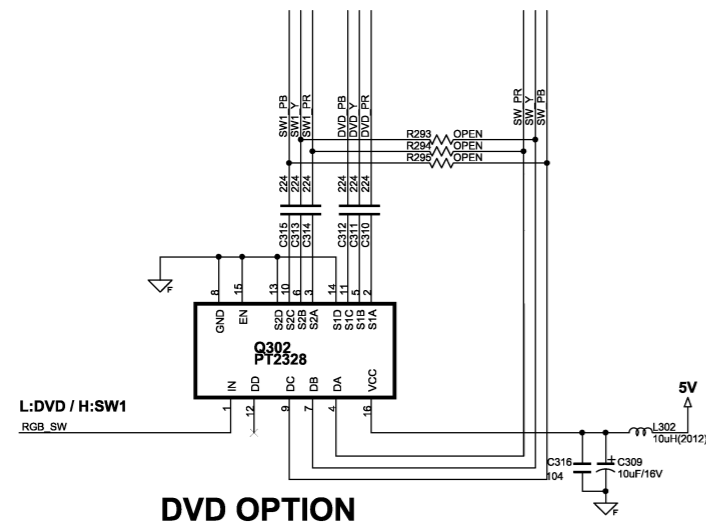
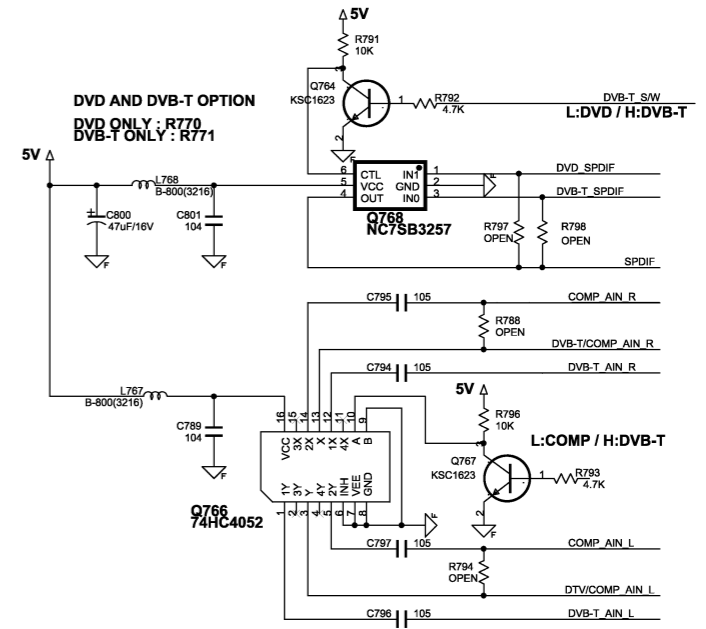
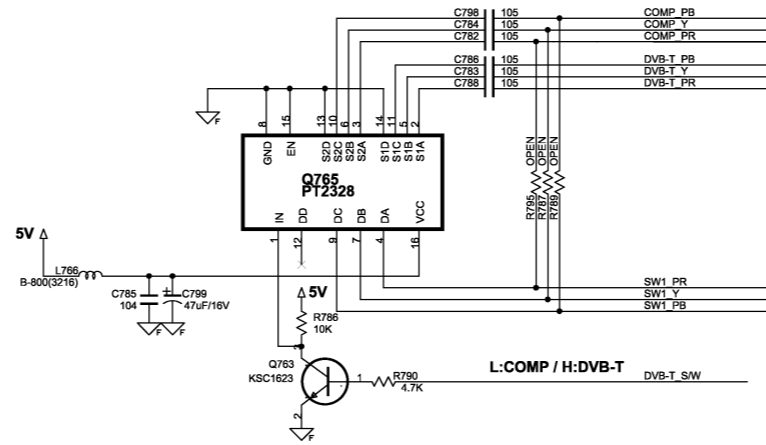
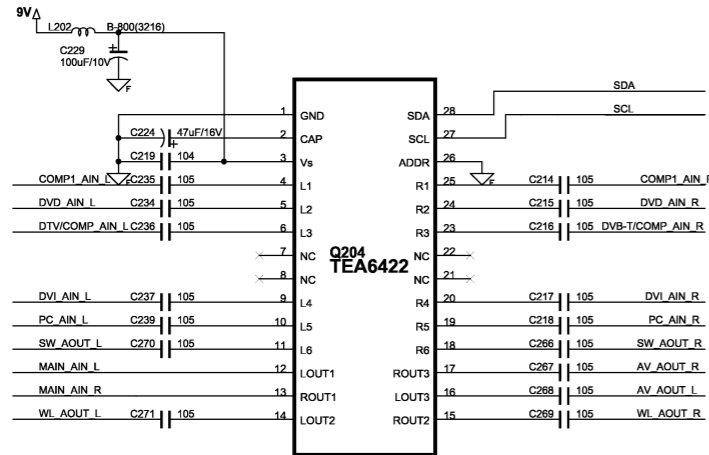
MAIN-SCALER, DDR (PAL COMPONENT, NTSC)



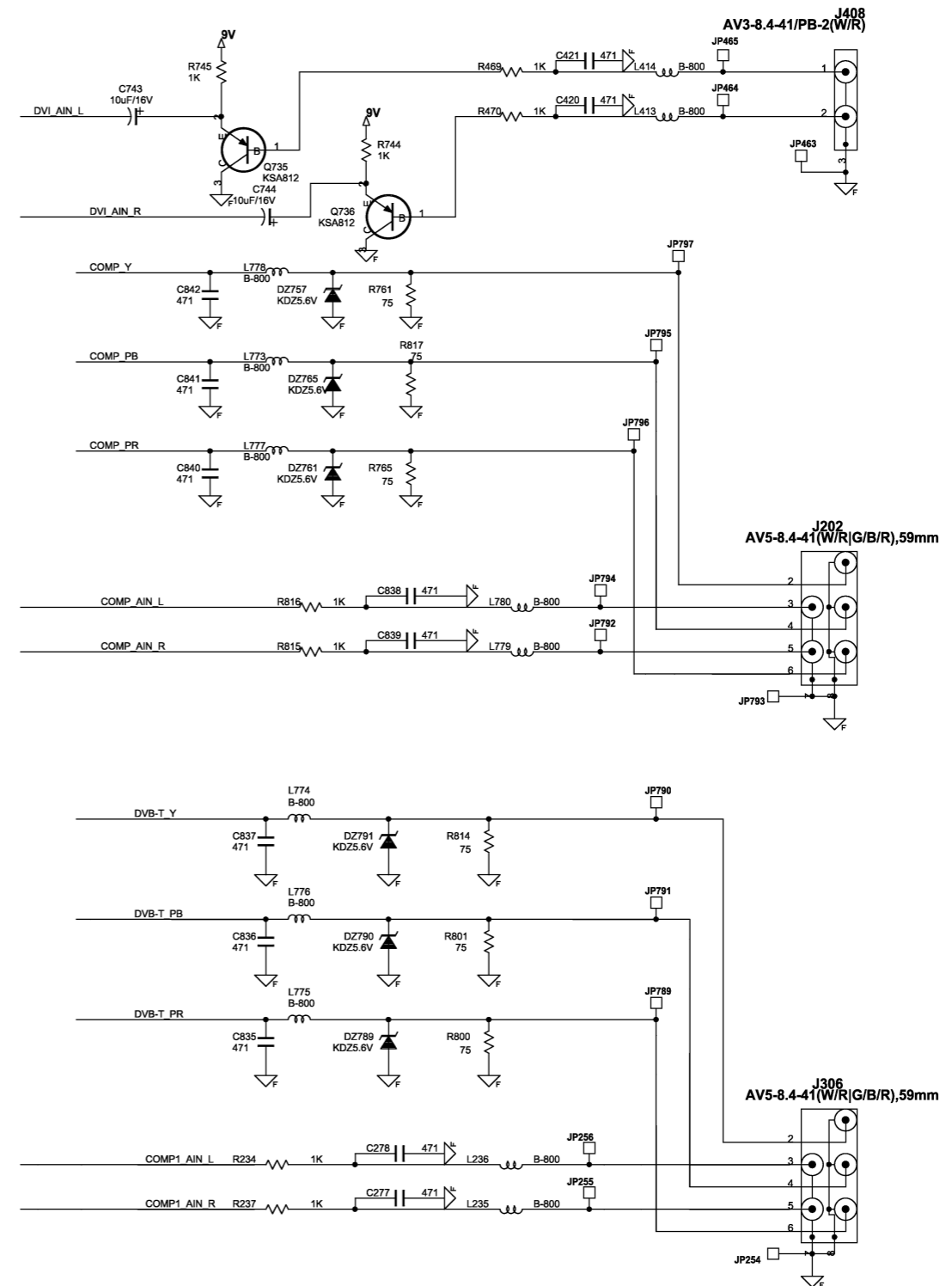
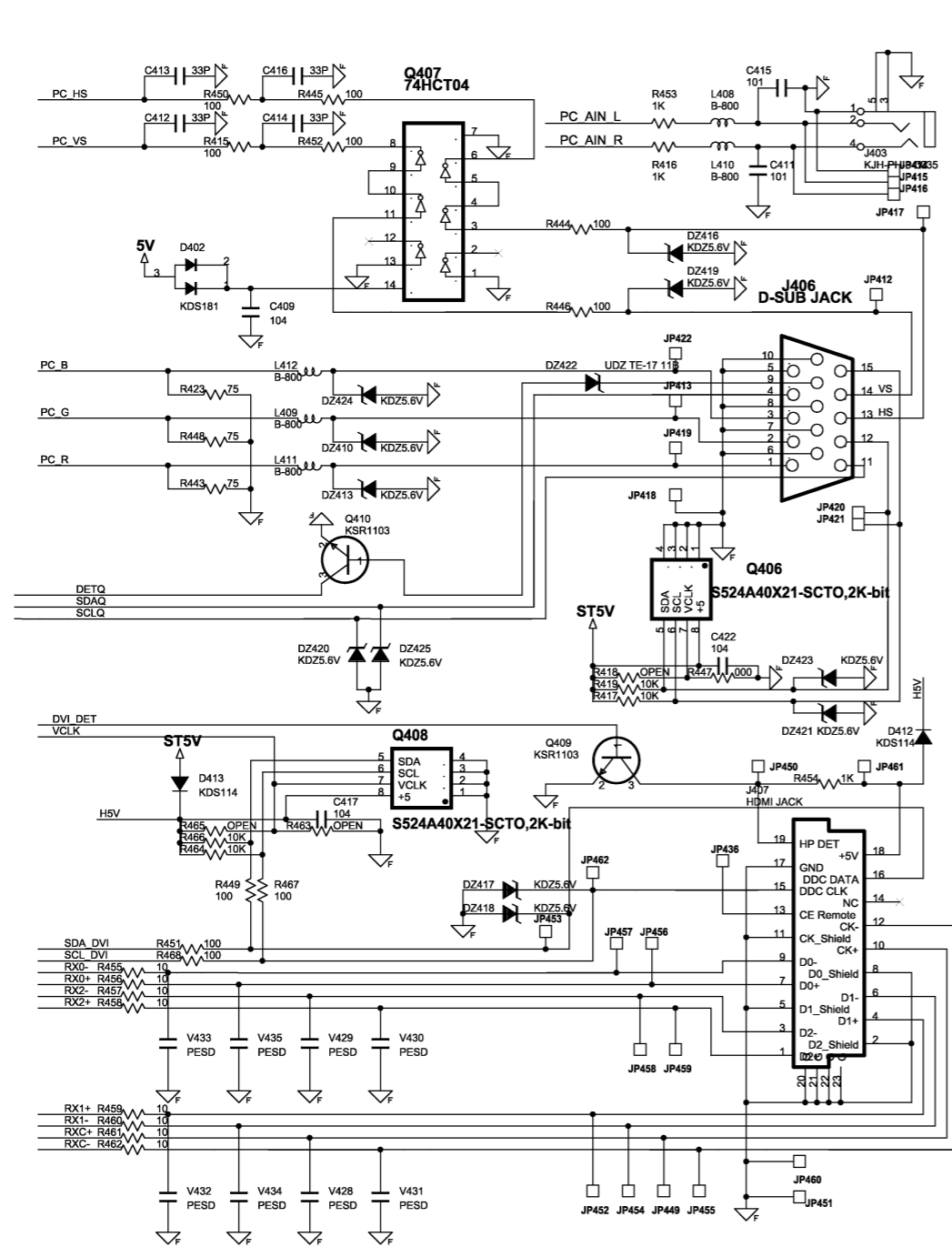
MAIN-MICOM, MSP (PAL COMPONENT, NTSC)



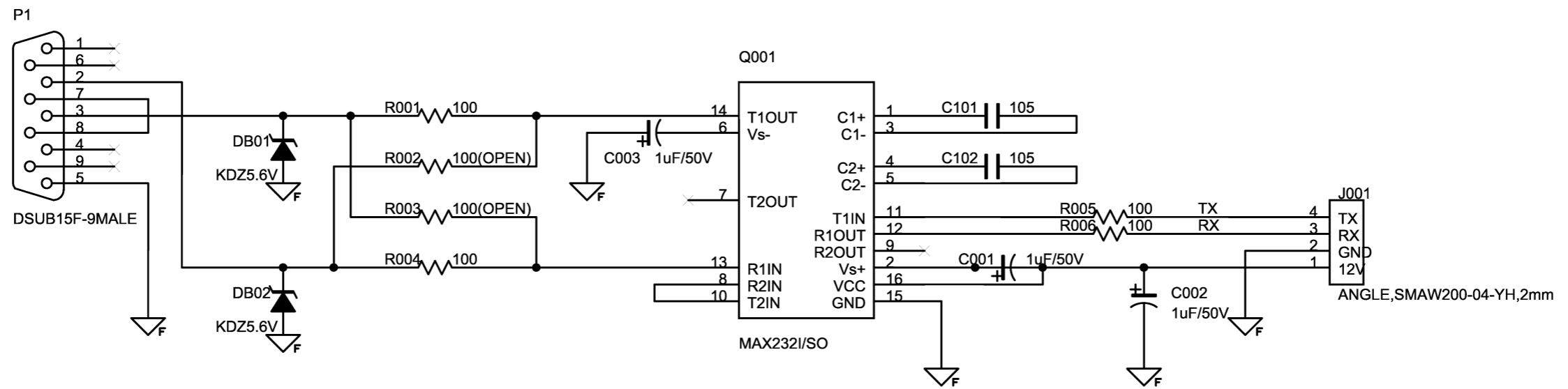
MAIN-AV SWITCH (PAL COMPONENT, NTSC)



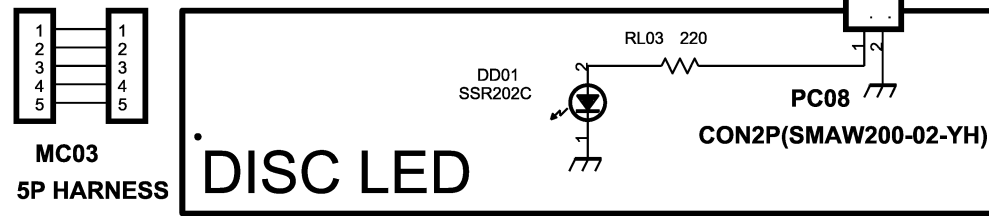
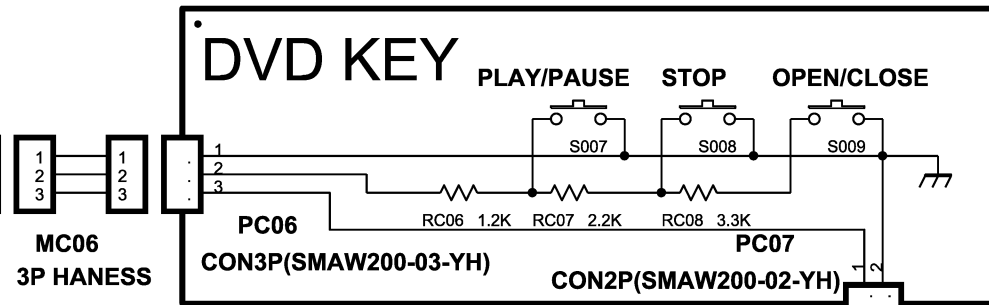
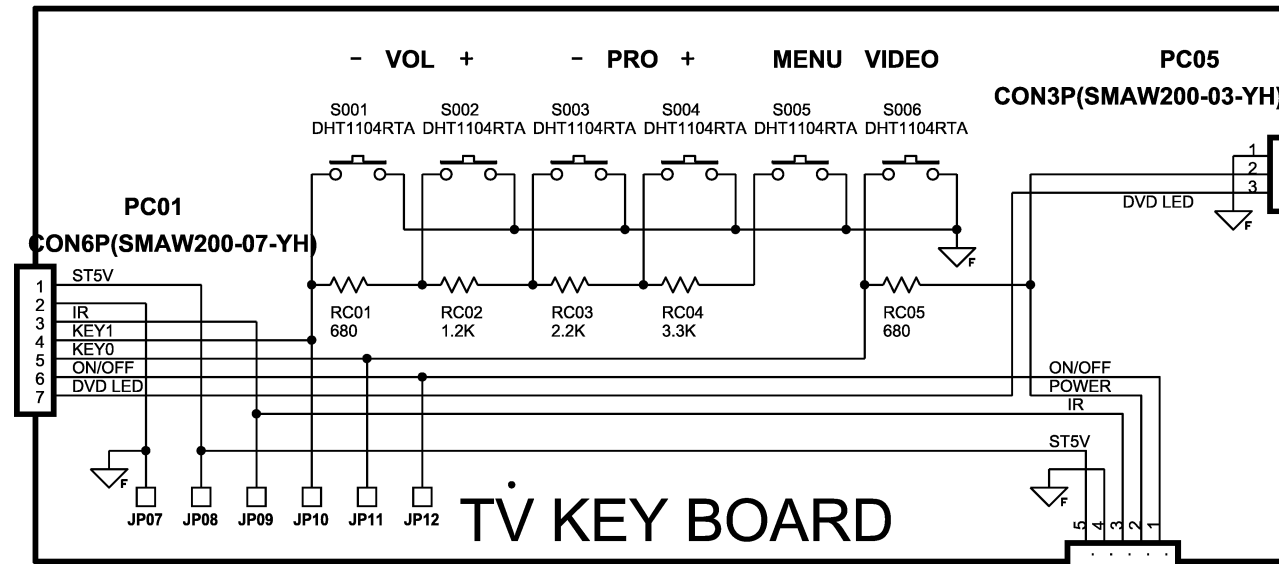
MAIN-AV JACK II (PAL COMPONENT, NTSC)



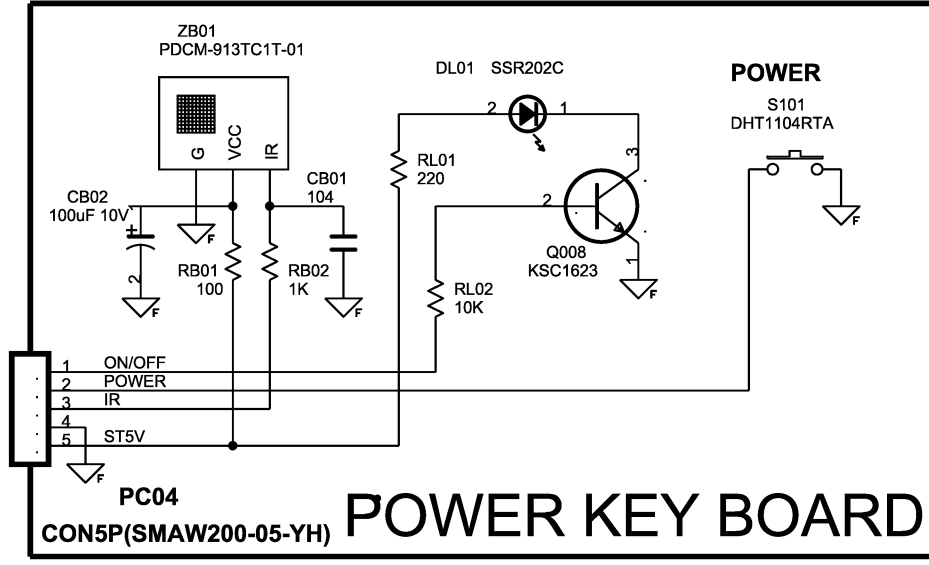
RS232C OPTION



CONTROL

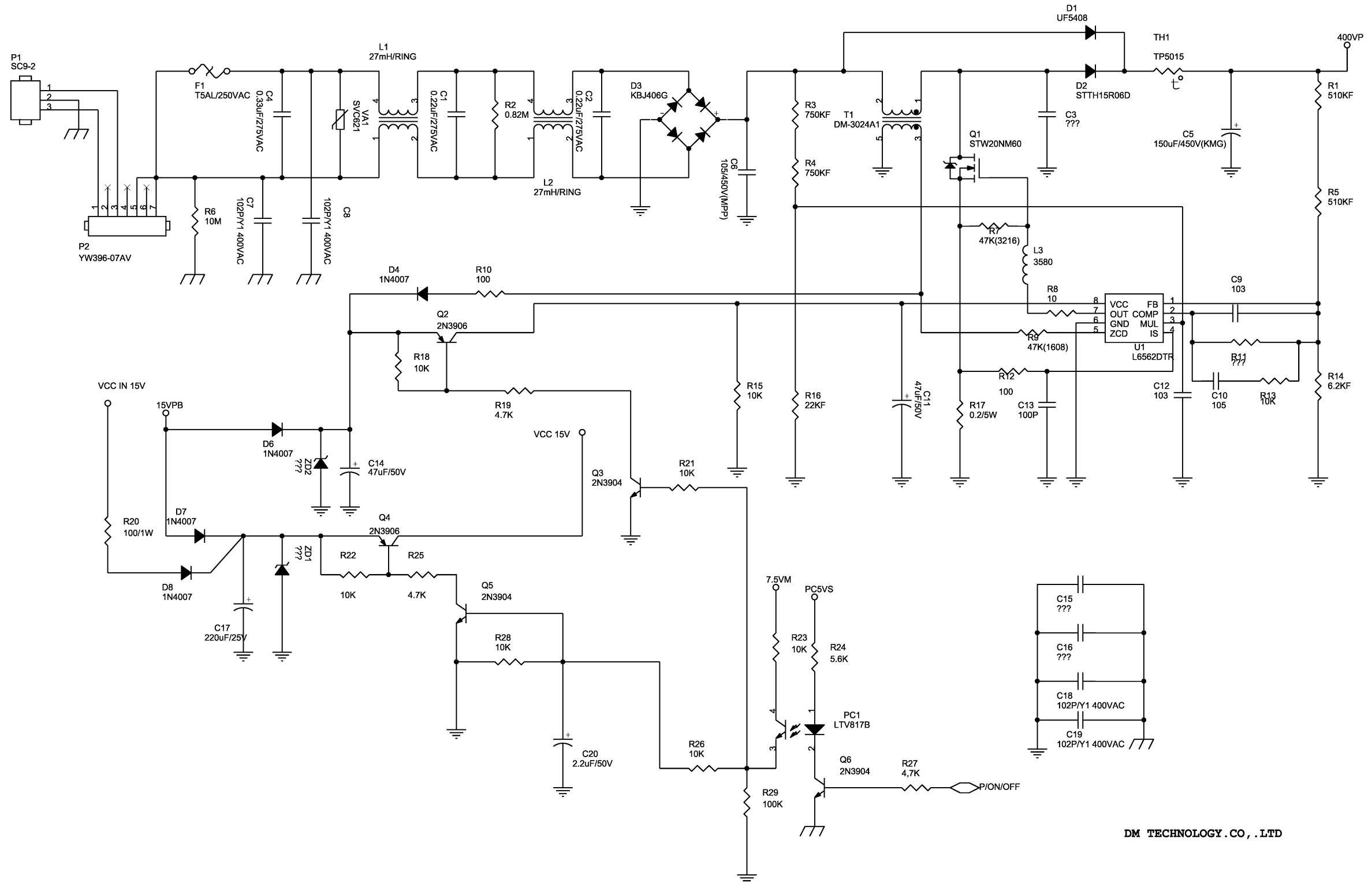


PC03
CON5P(SMAW200-05-YH)



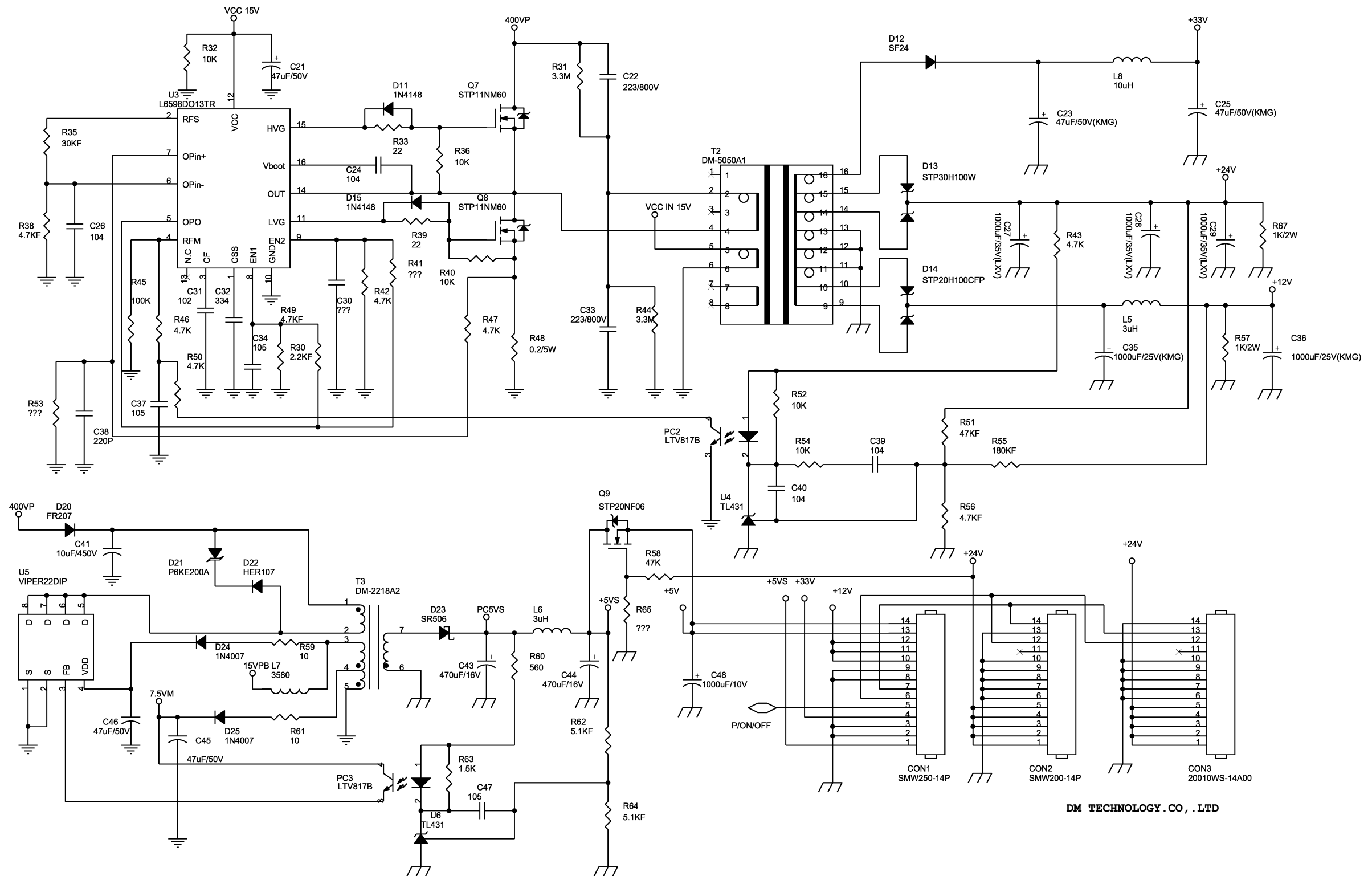
POWER KEY BOARD

SMPS(PS3200) I (PAL)



DM TECHNOLOGY . CO , . LTD

SMPS(PS3200) II (PAL)



DM TECHNOLOGY . CO , . LTD