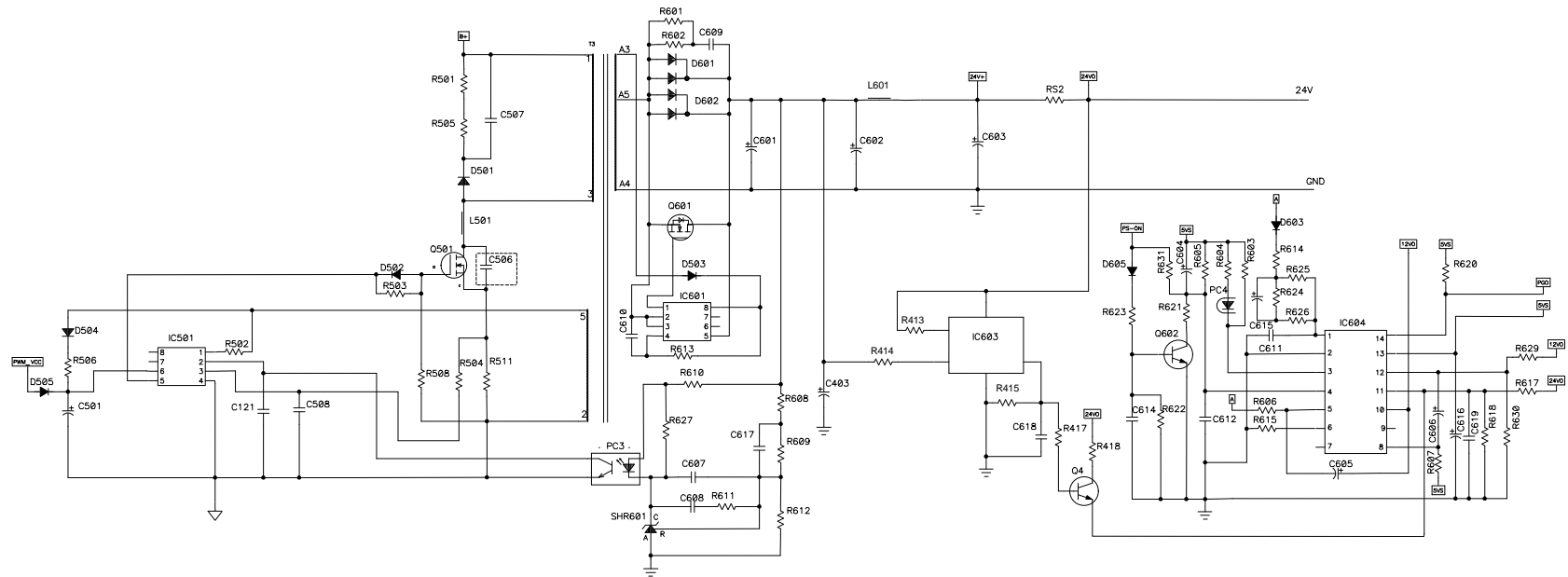
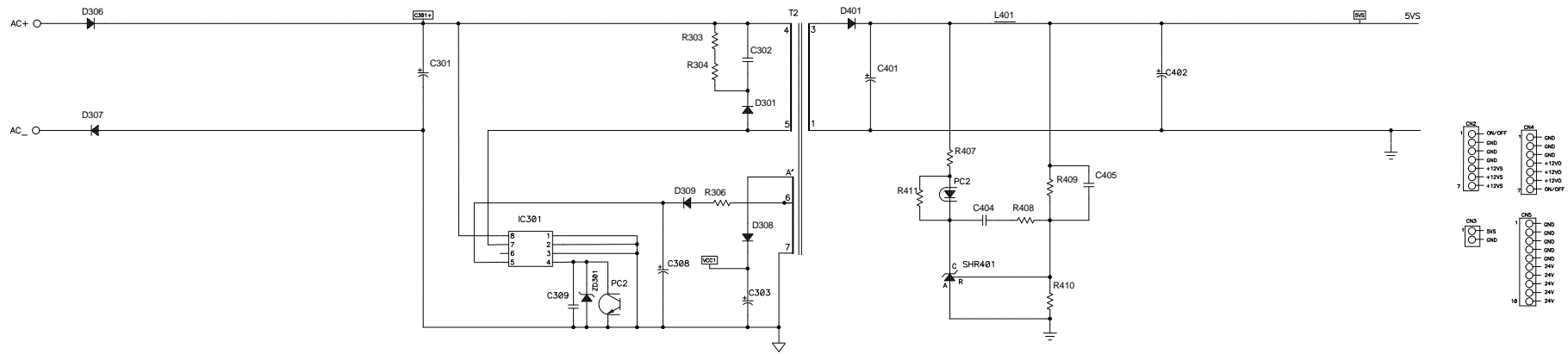


注:1. 虛線框內元件為Optional

PHIHONG TECHNOLOGY CO., LTD.		
Size A2	Model Name PSM205-407	Rev C
Drawn by TANGHUI	Date 09/27/05'	
Drawing No PES-30936	Sheet 1 of 2	



注:1.虚线框内元件为Optional

家电维修资料网  
www.520101.com

PHIHONG TECHNOLOGY CO., LTD.		
Size	Model Name	Rev
A2	PSM205-407	C
Drawn by	TANGHUI	Date 09/27/05
Drawing No	PES-30936	Sheet 2 of 2