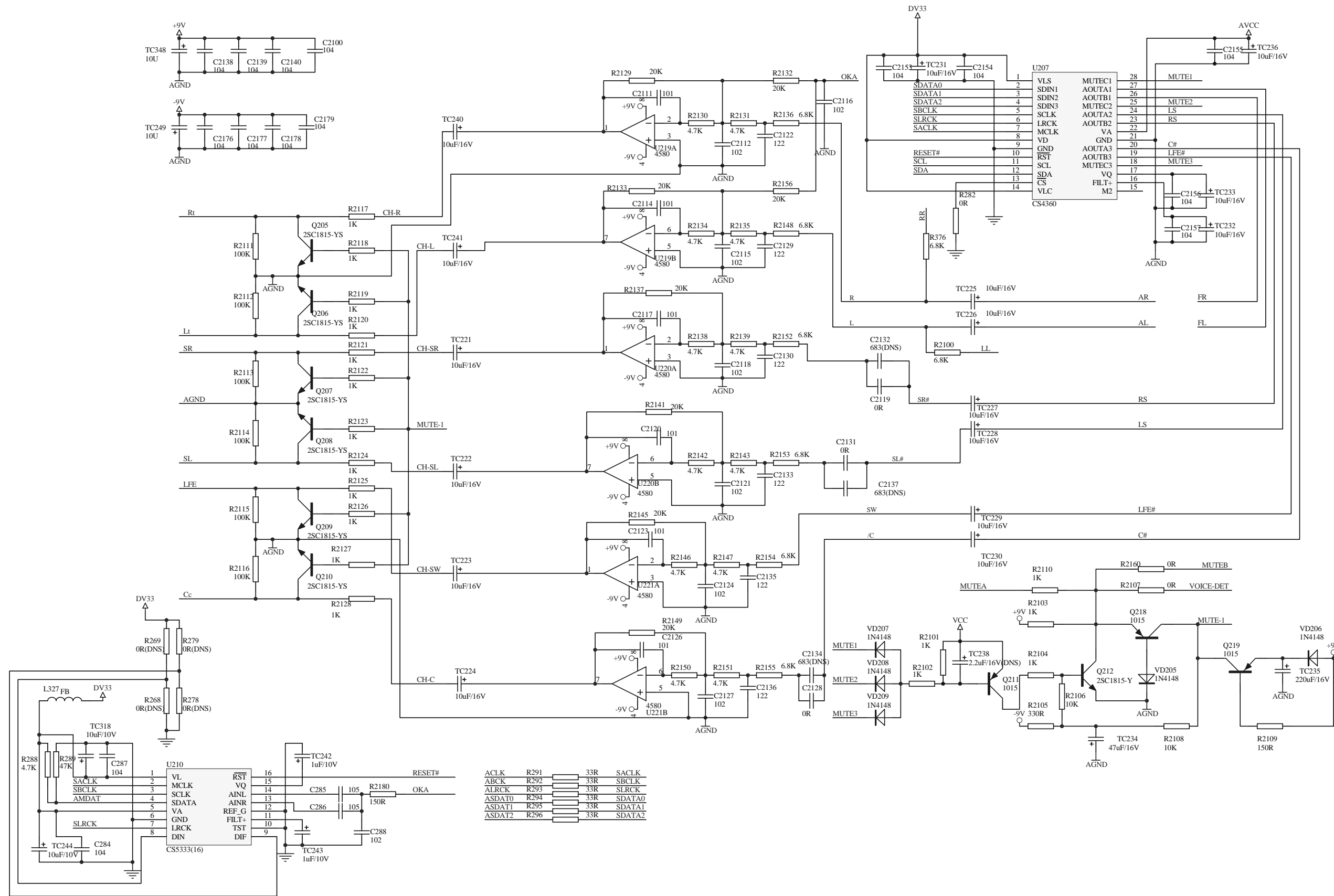
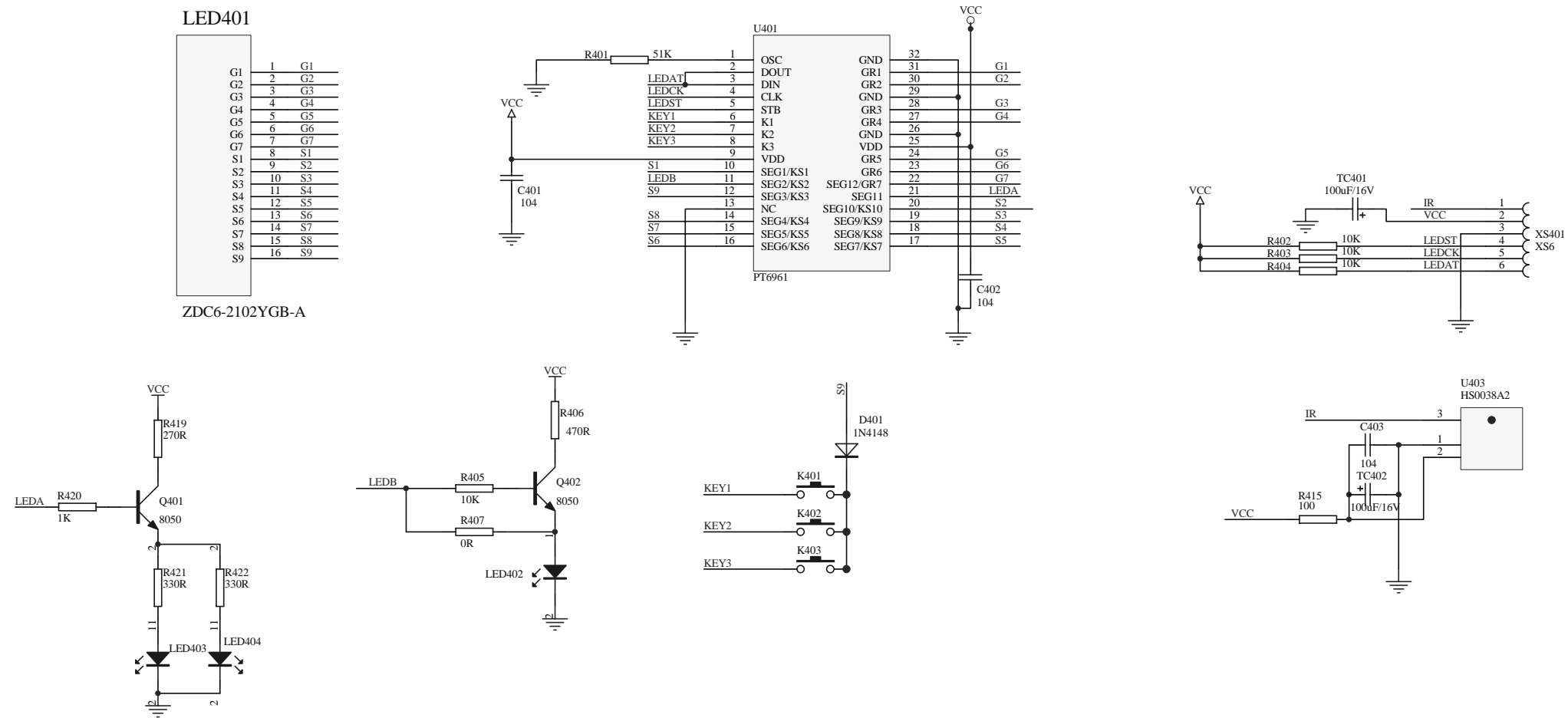


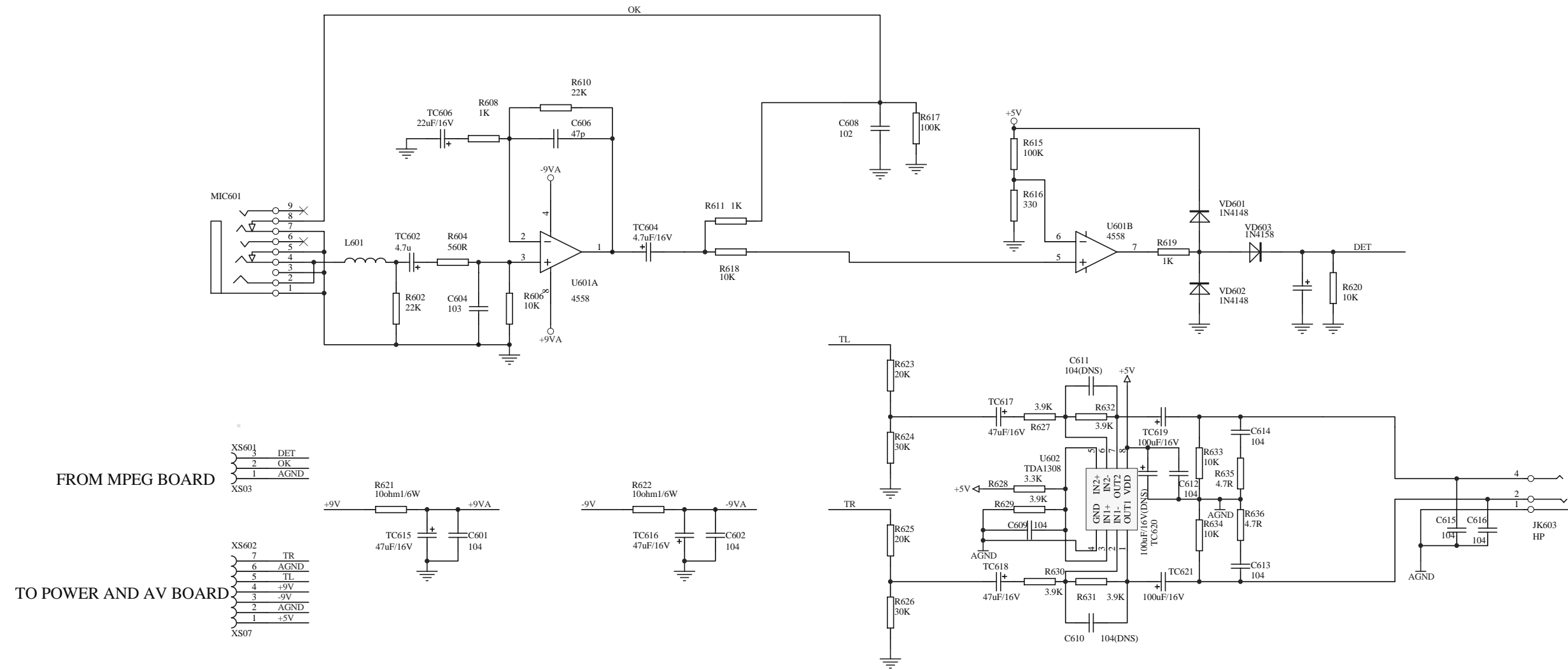
5.1.3 MPEG&SERVO 3 BOARD



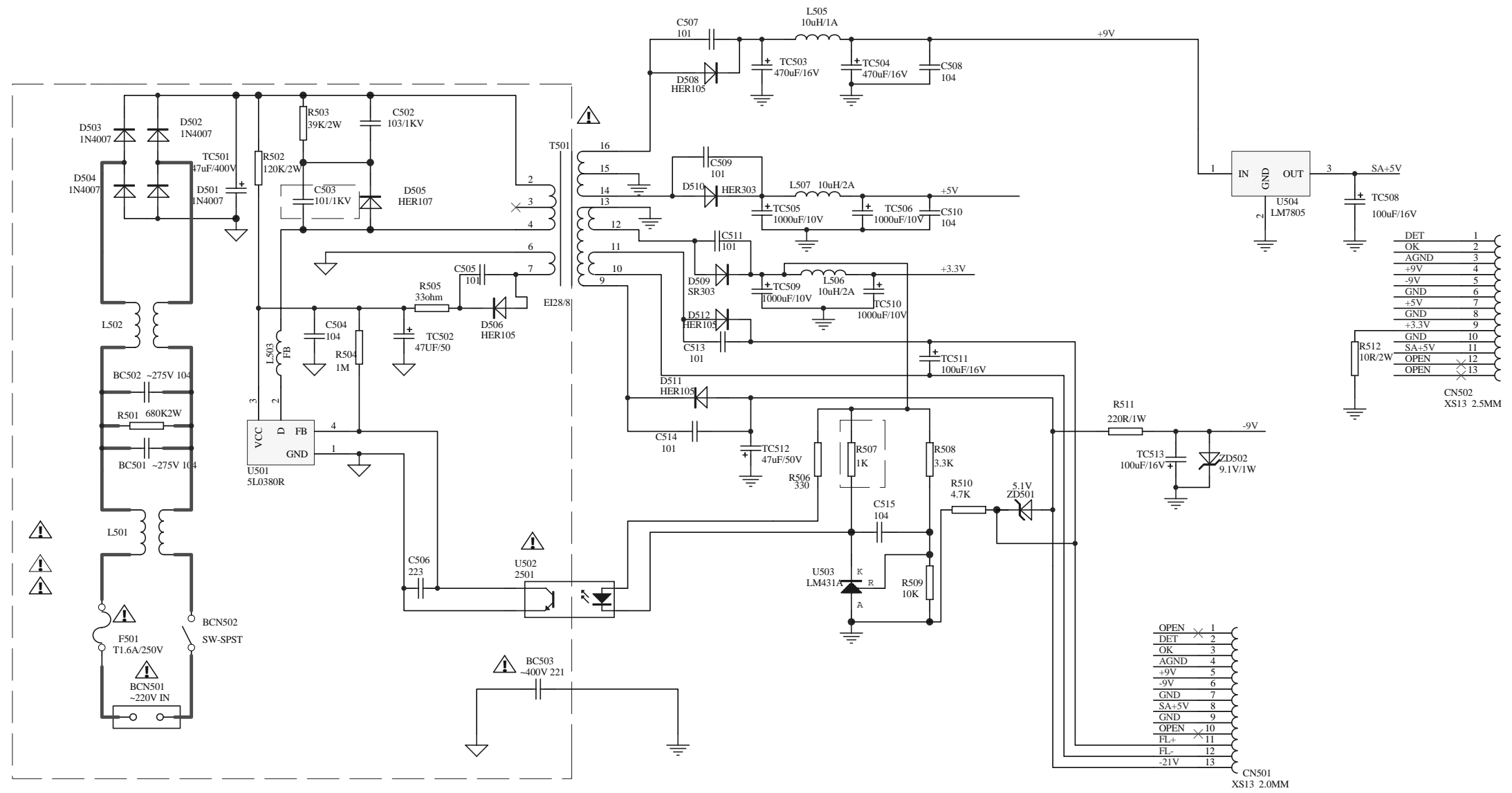
5.1.5 KEY SCAN BOARD



5.1.6 MIC BOARD



5.1.7 POWER BOARD



5.1.8 AV OUTPUT BOARD

