

6

5

4

3

2

1

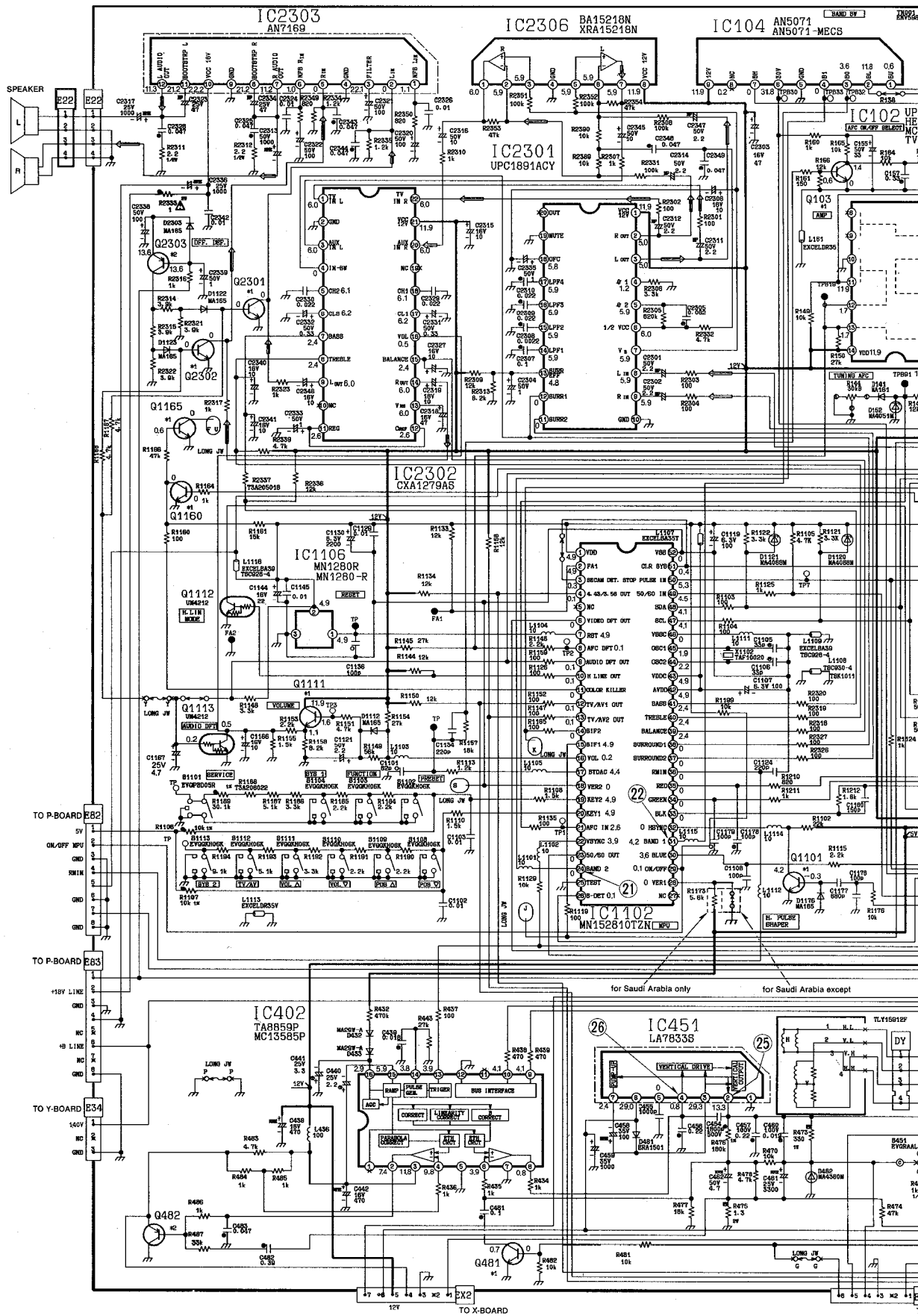
A

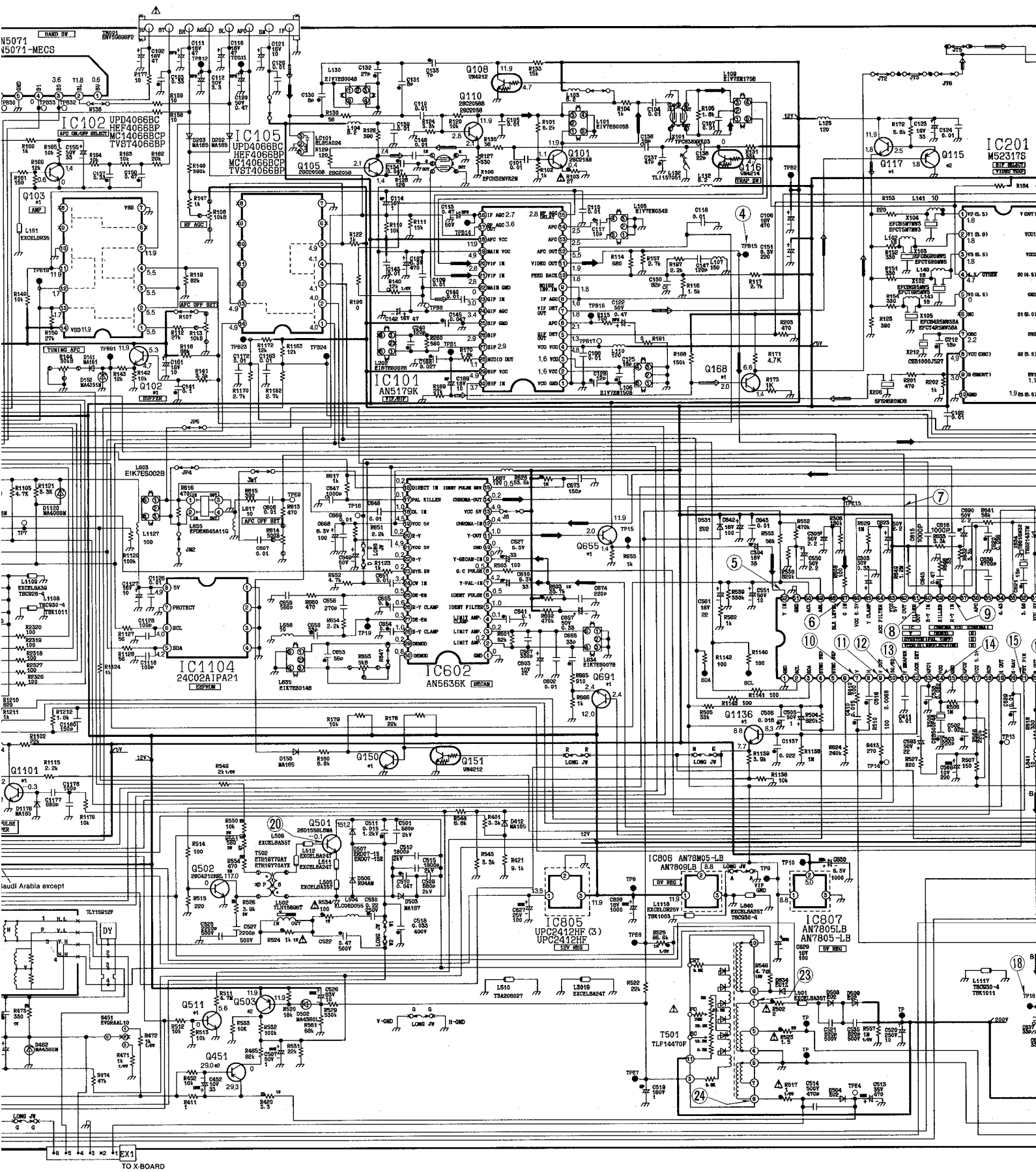
B

C

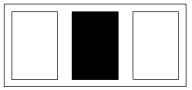
D

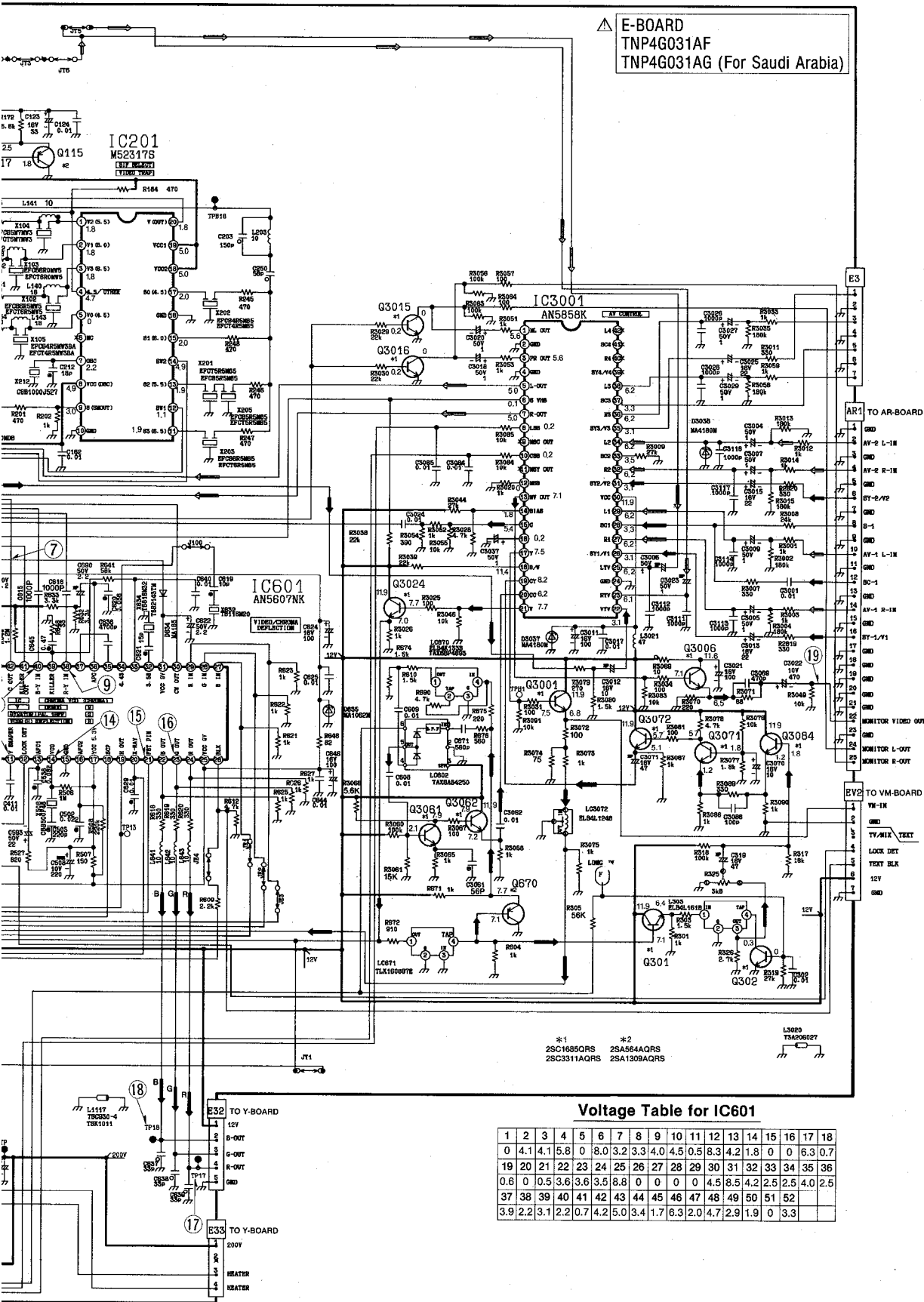
E



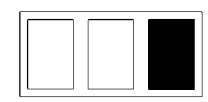


E F G H I J



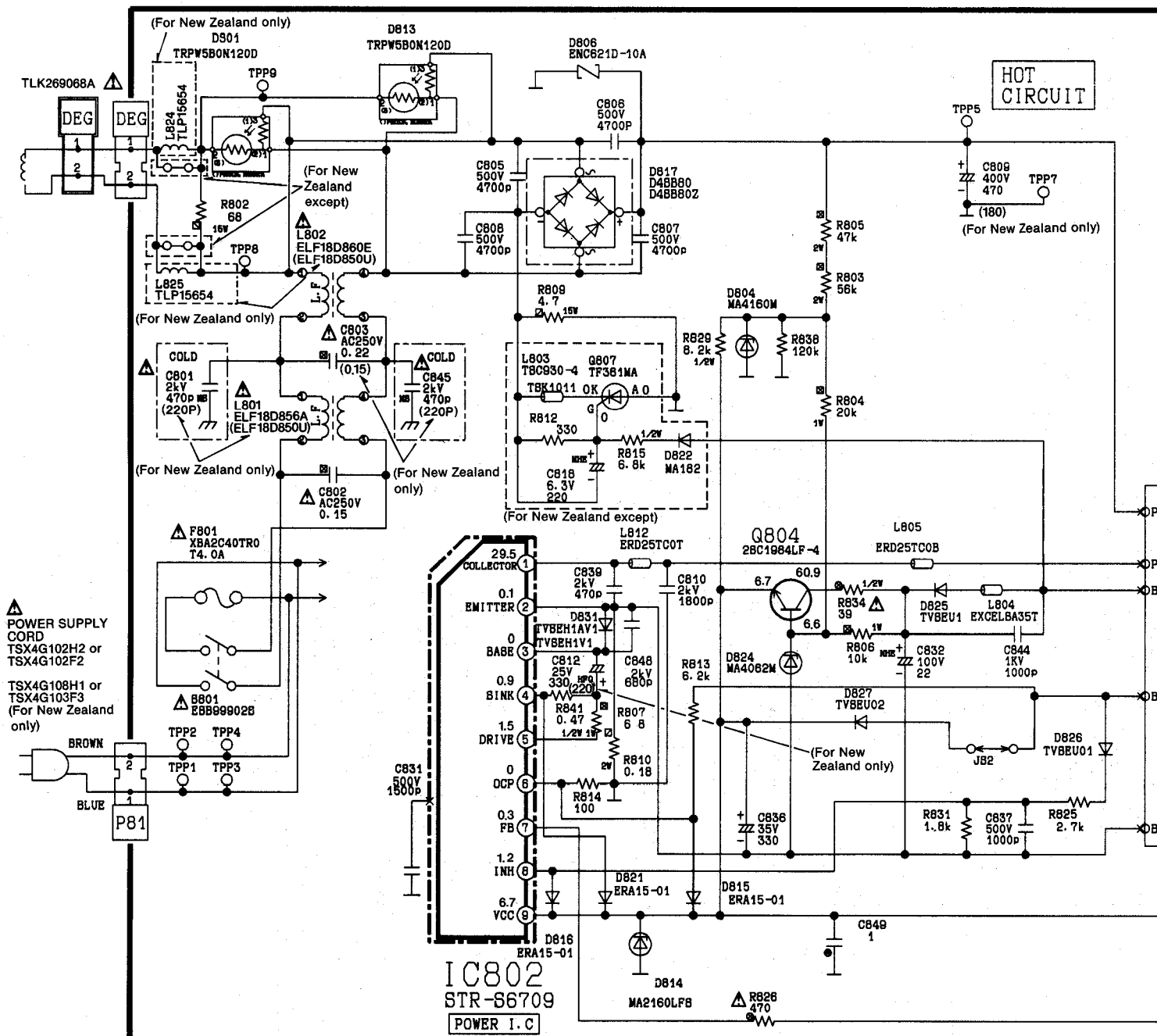


J | K | L | M | N



TC-29V50R

6
5
4
3
2
1



HOT
CIRCUIT

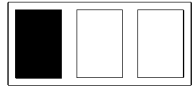
POWER SUPPLY
CORD
TSX4G102H2 or
TSX4G102F2
TSX4G108H1 or
TSX4G103F3
(For New Zealand
only)

IC802
STR-S6709
POWER I.C

P-BOARD TNP4G029AC
TNP4G029AD (For New Zealand)

(For New Zealand only)
L823
TBC930-4
(For New Zealand except)

A B C D E

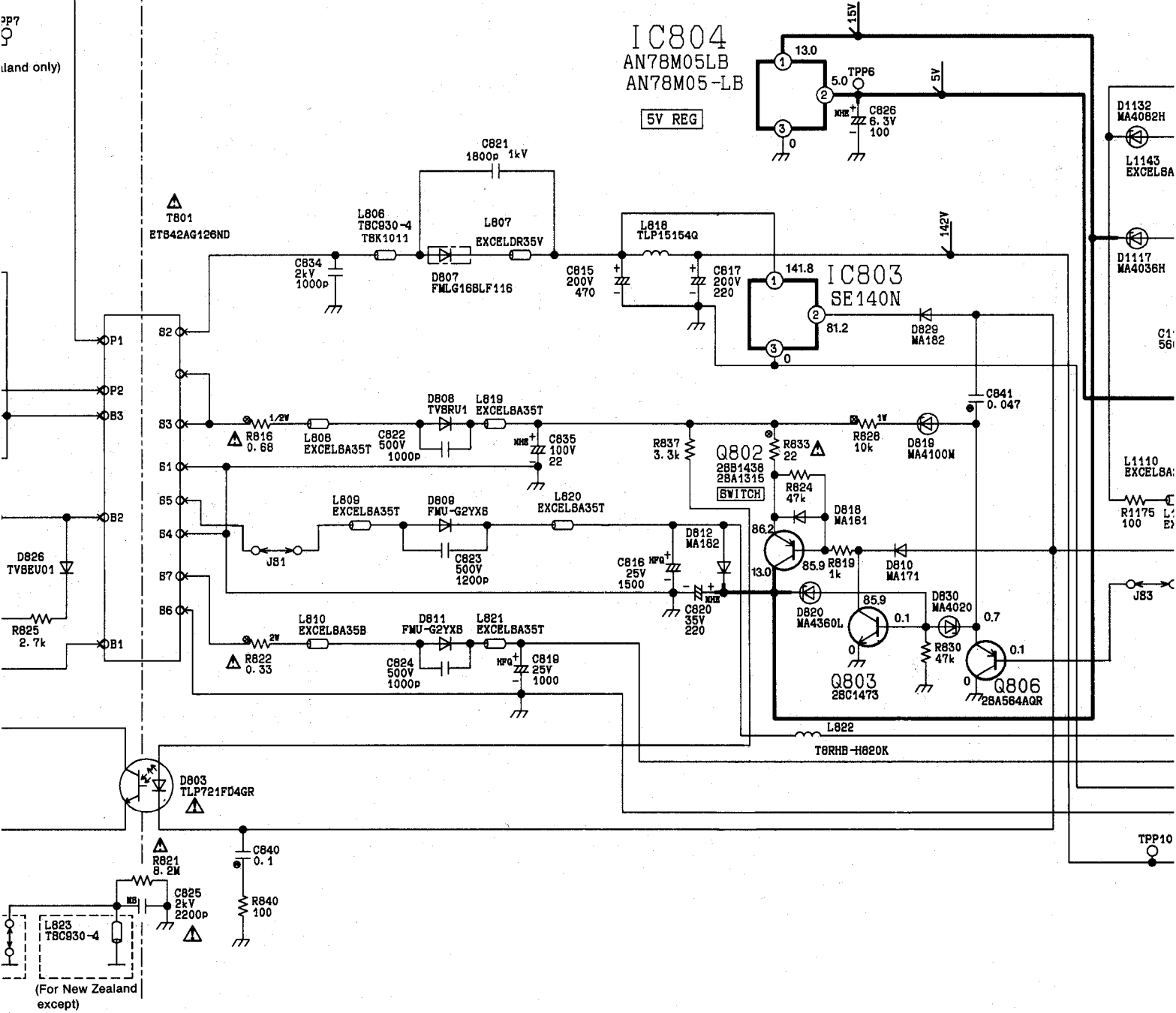


CUIT

COLD
CIRCUIT

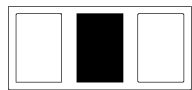
PP7
(land only)

IC804
AN78M05LB
AN78M05-LB
5V REG

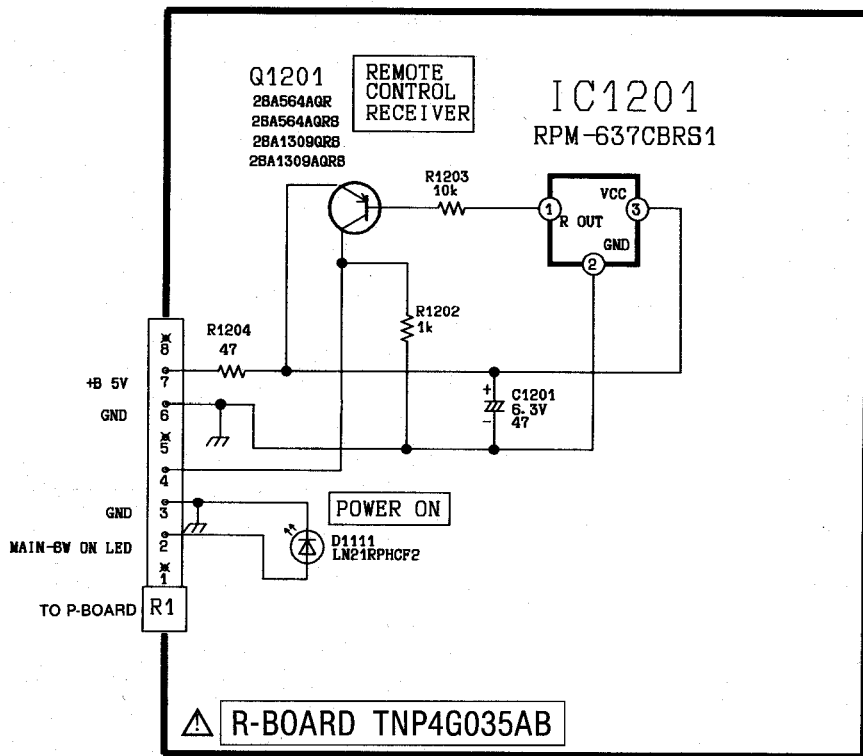
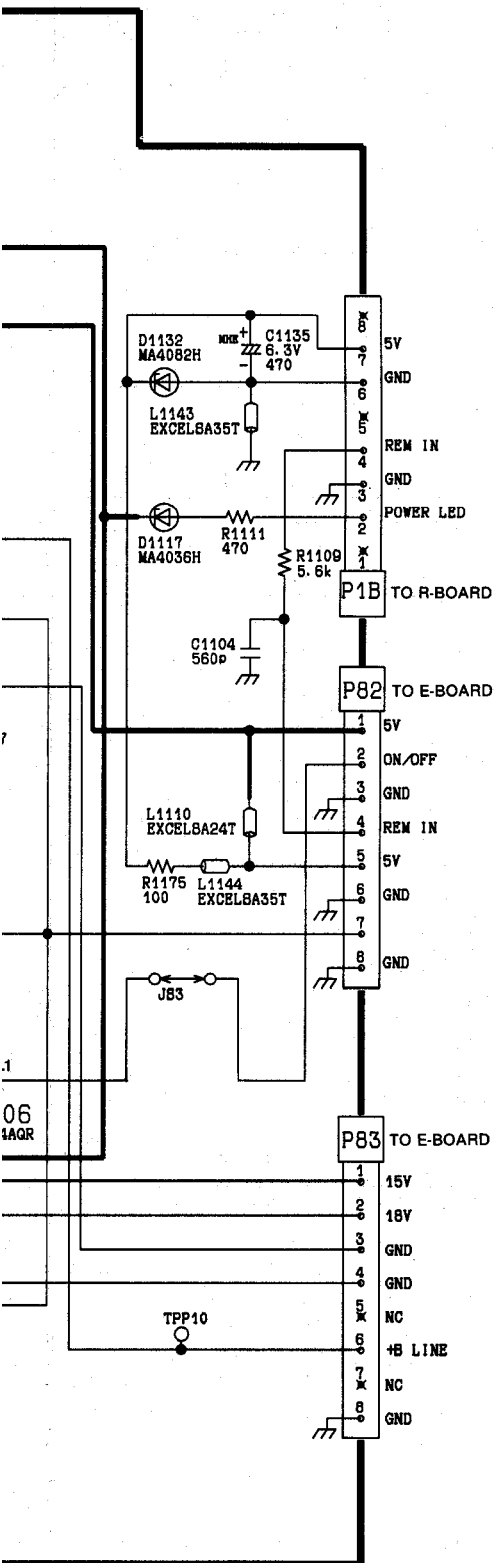


(For New Zealand except)

F | G | H | J



TC-29V50R



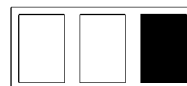
J

K

L

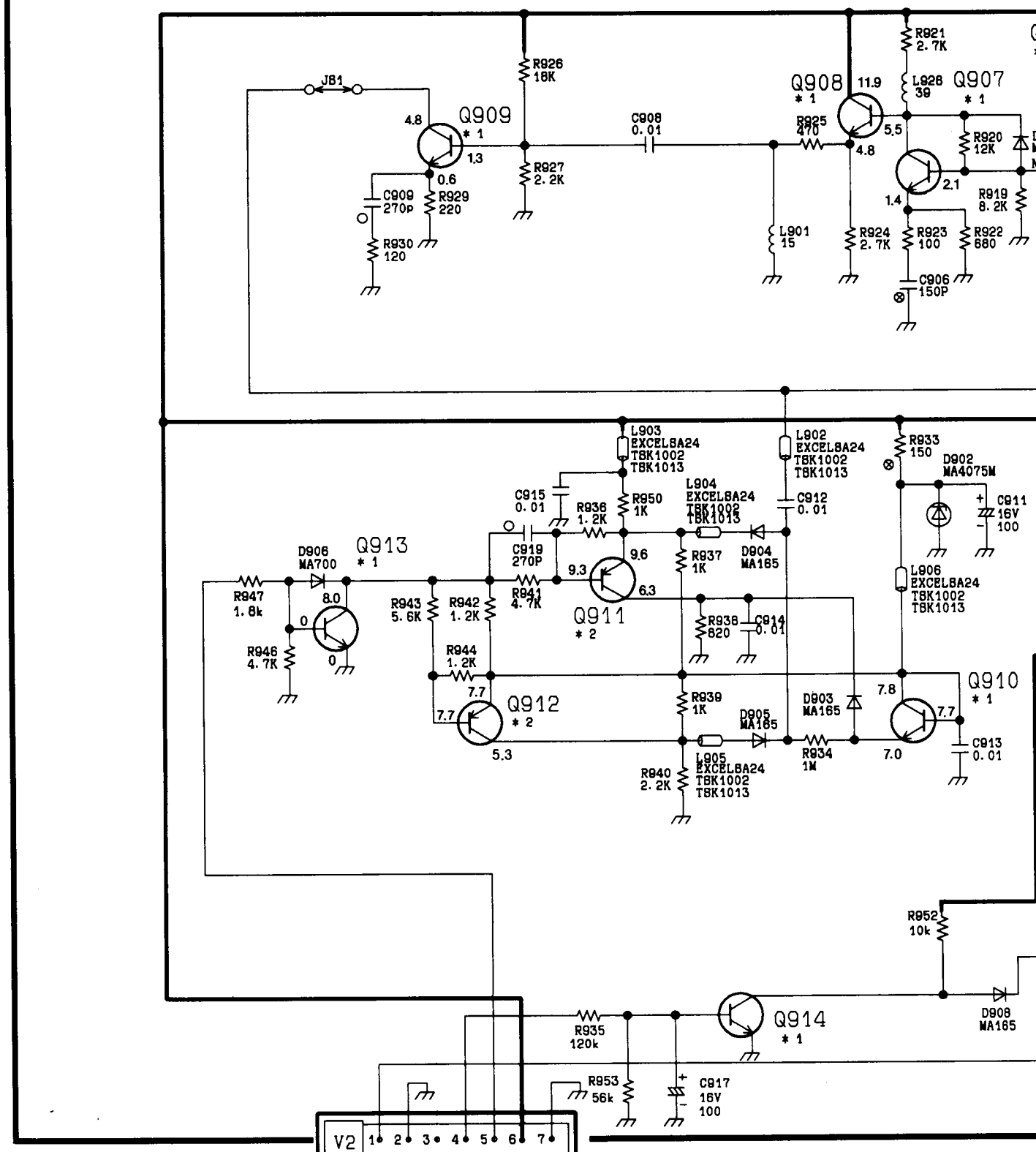
M

N

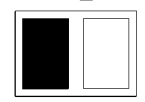


△ VM-BOARD TNP4G032AD

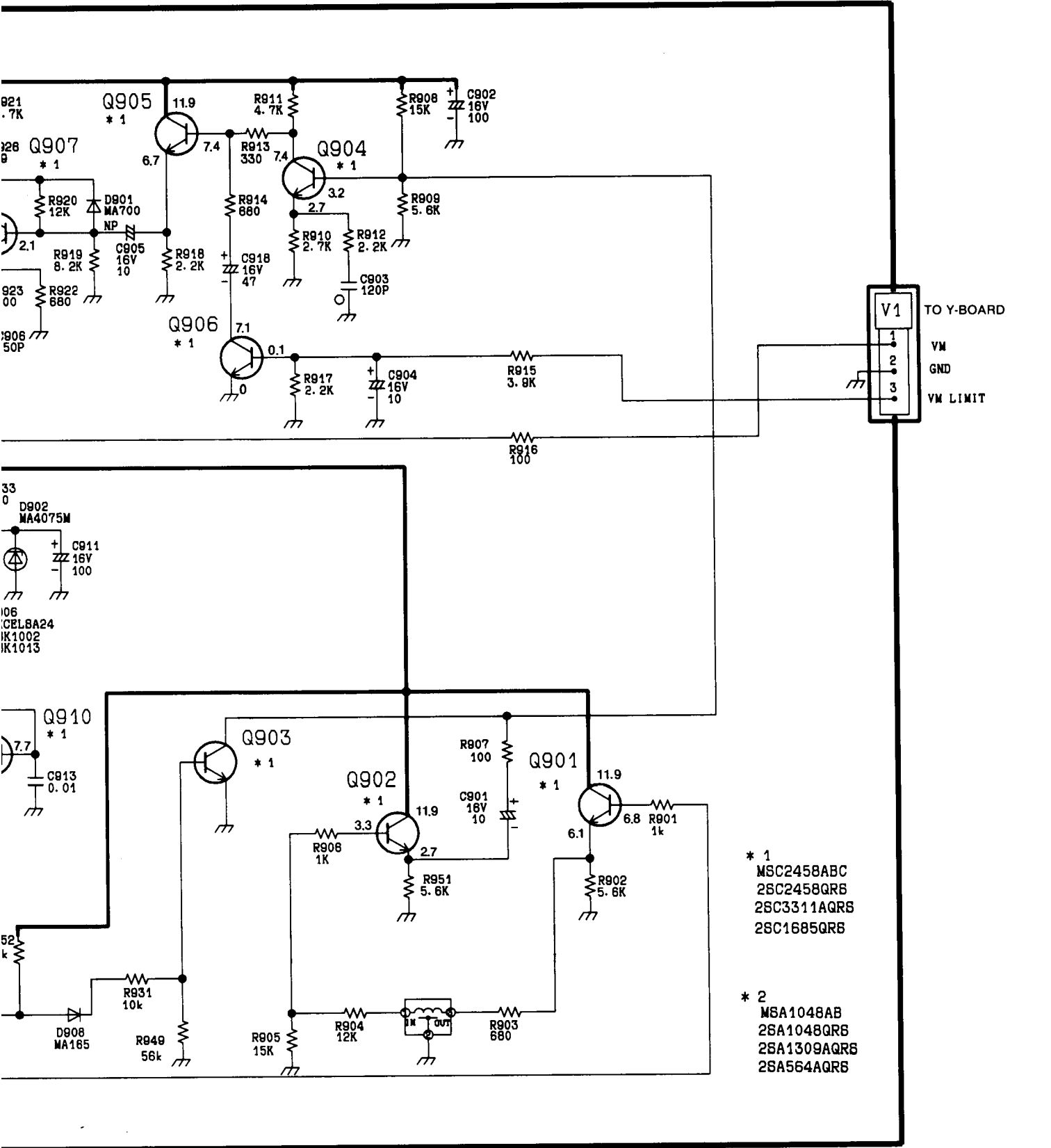
6
5
4
3
2
1



A B C D E



TC-29V50R



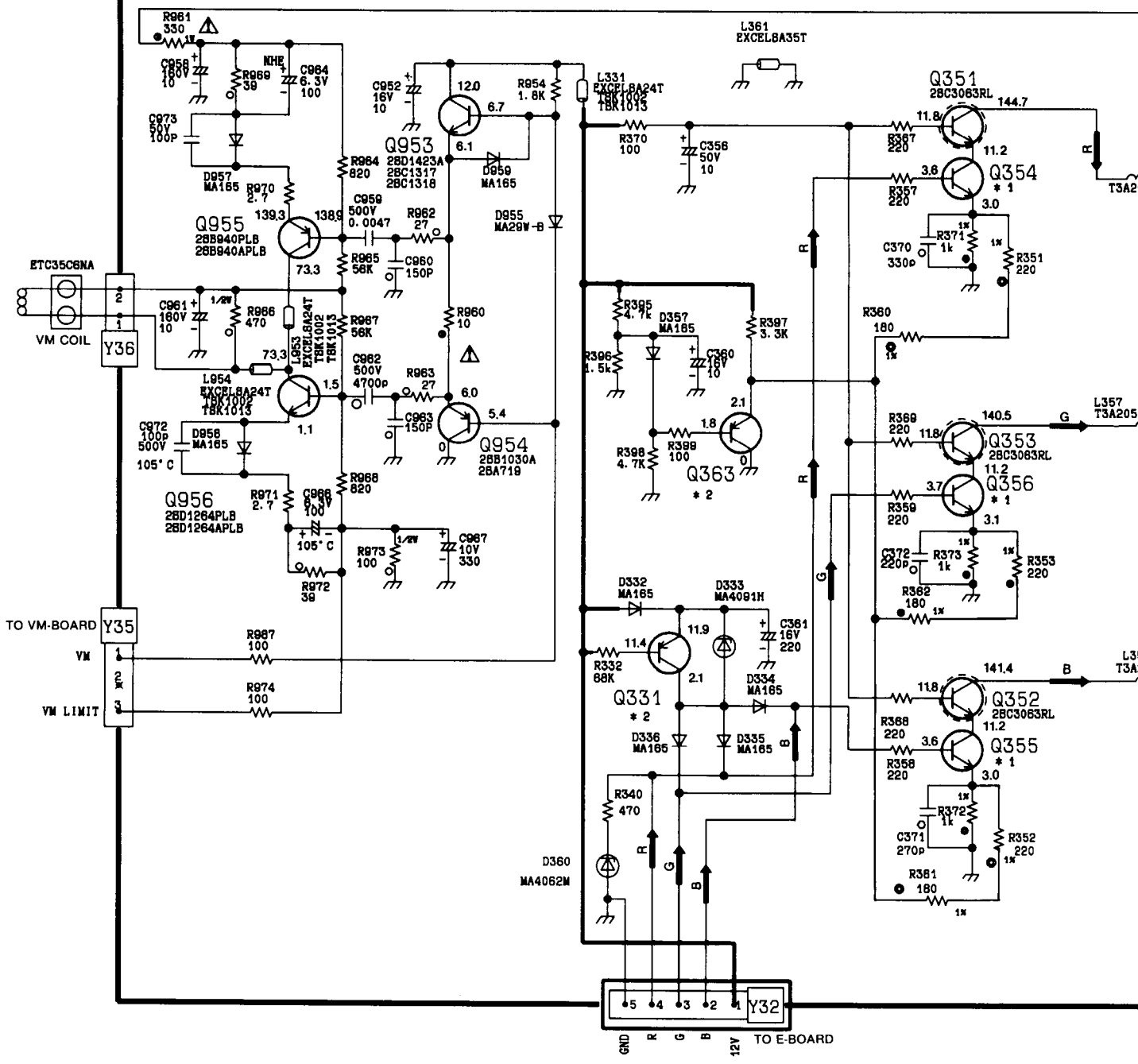
- * 1
- MSC2458ABC
- 2SC2458QR8
- 2SC3311AQR8
- 2SC1685QR8

- * 2
- MSA1048AB
- 2SA1048QR8
- 2SA1309AQR8
- 2SA564AQR8

E | | F | | G | | H | | I

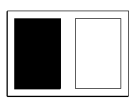


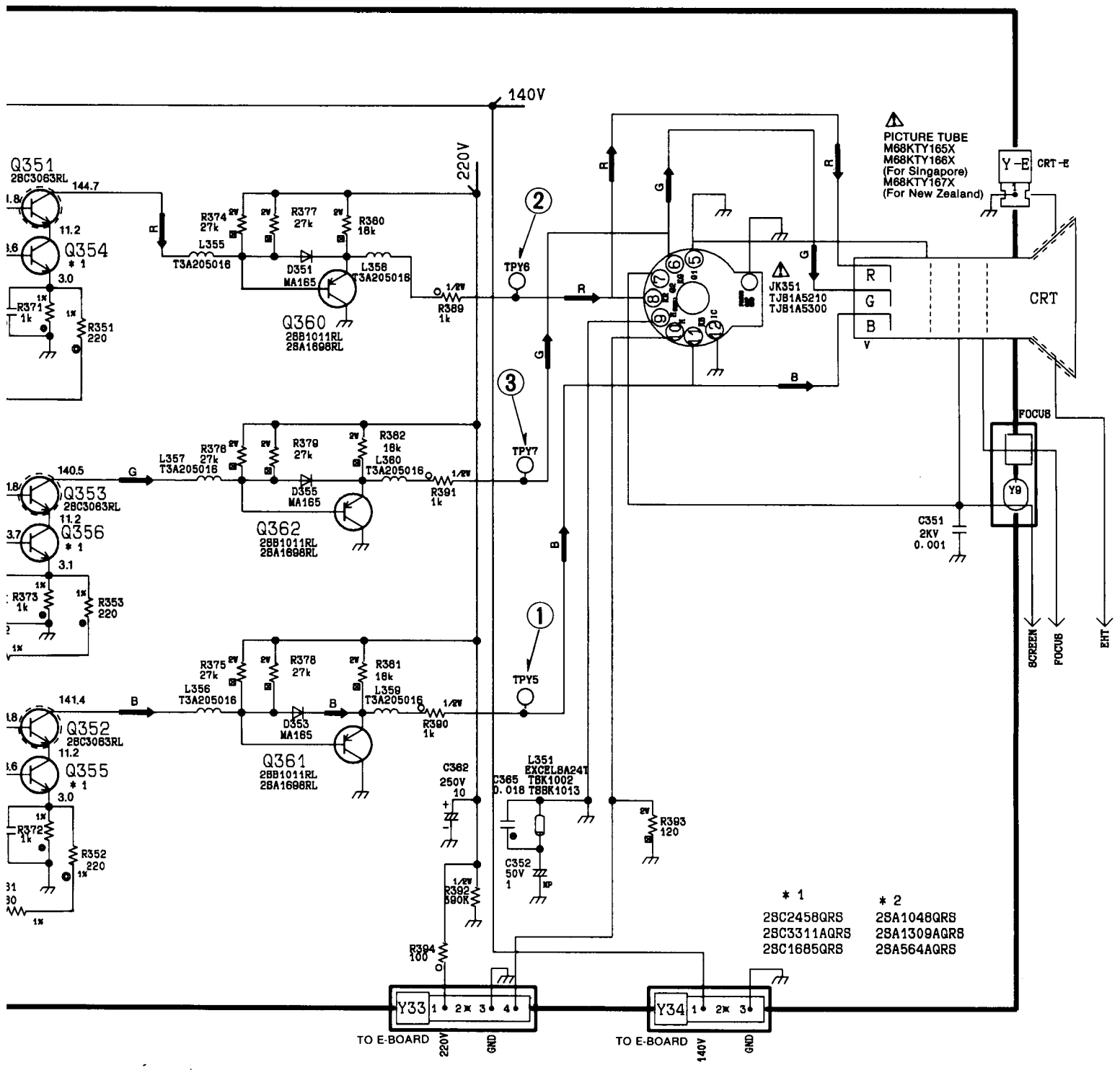
Y-BOARD TNP4G034AB



6
5
4
3
2
1

A B C D E





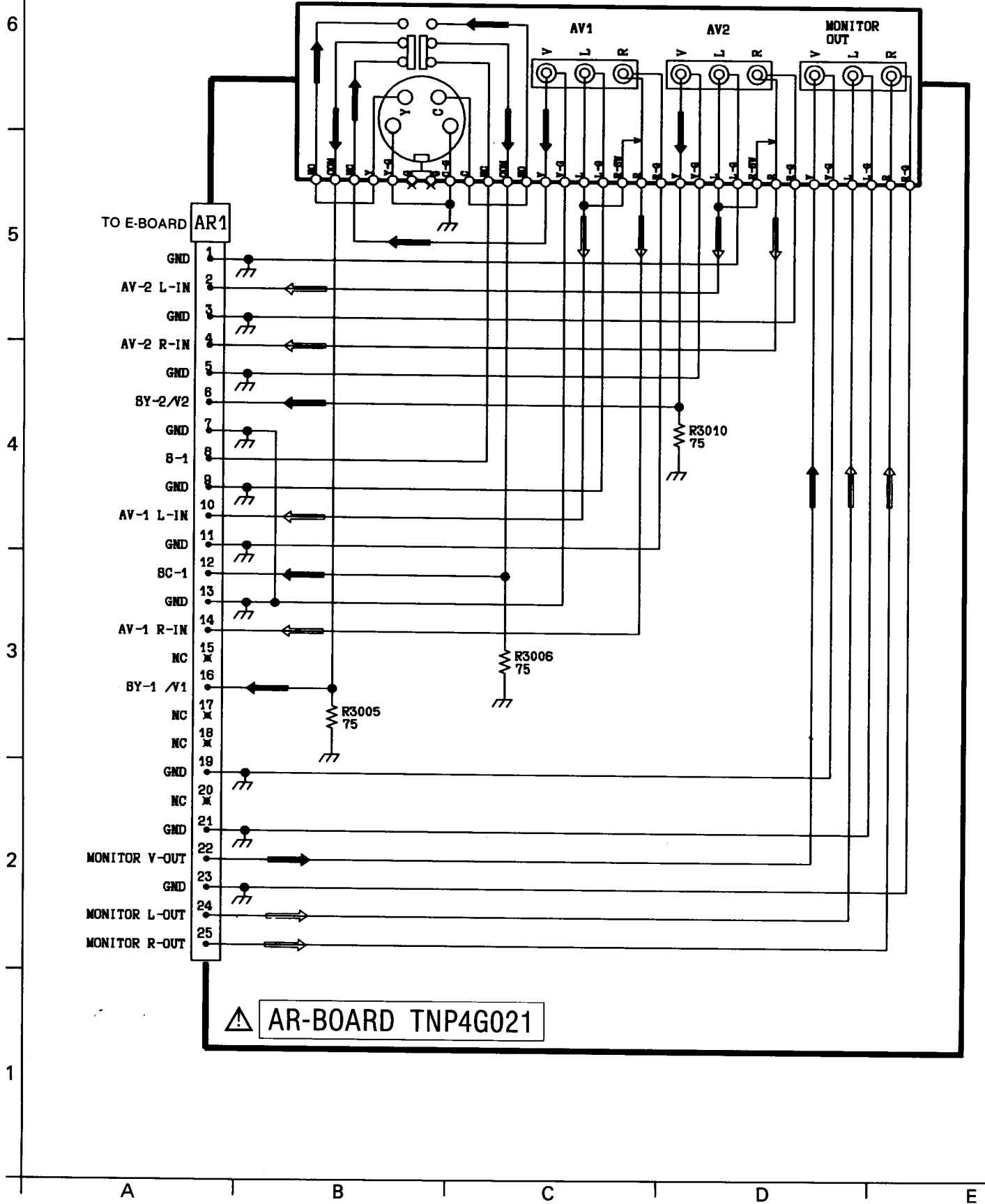
PICTURE TUBE
 M68KTY165X
 M68KTY166X
 (For Singapore)
 M68KTY167X
 (For New Zealand)

- * 1
 28C2458QRS
 28C3311AQRS
 28C1685QRS
- * 2
 28A1048QRS
 28A1309AQRS
 28A564AQRS

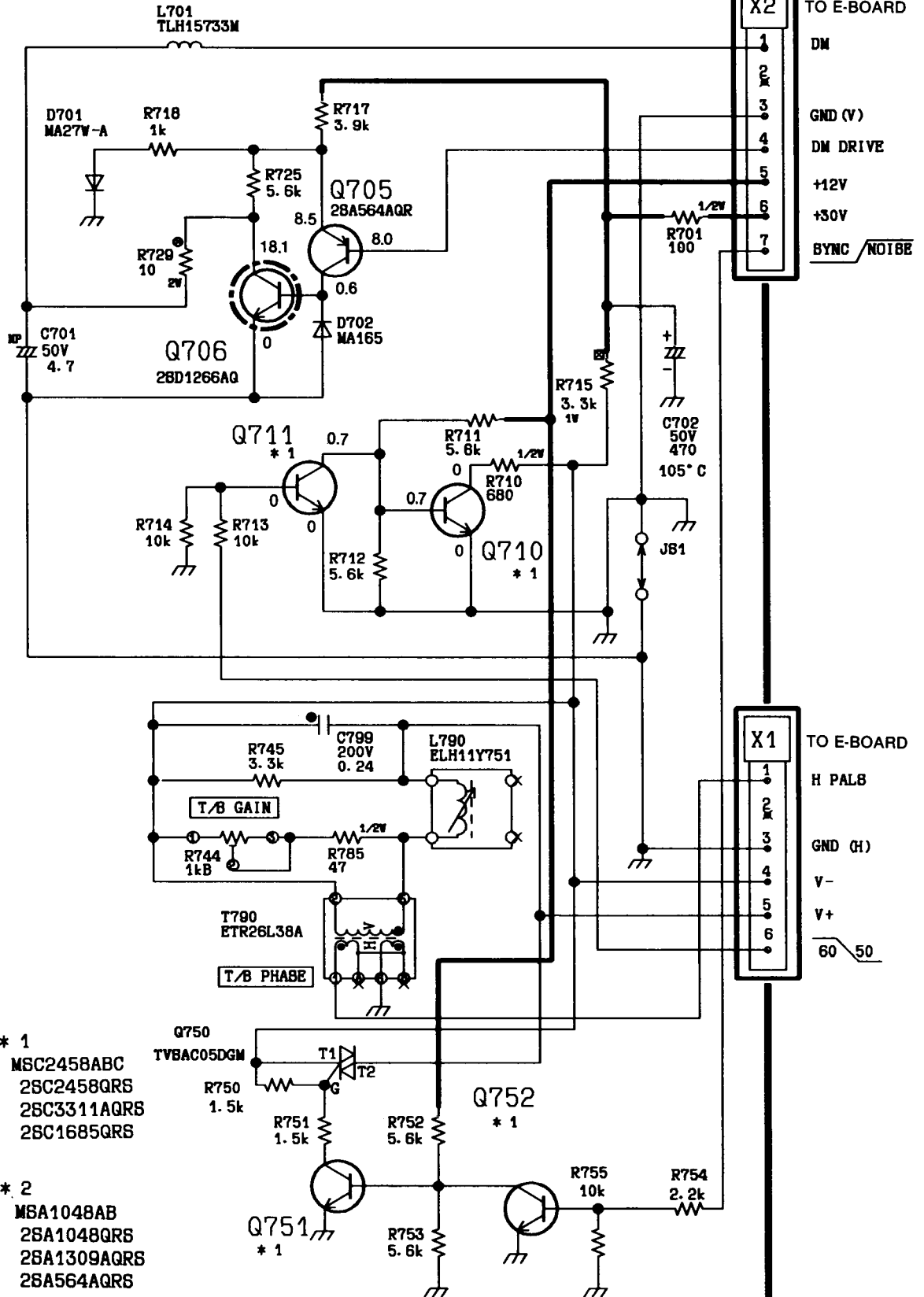
E | F | G | H | I



JK
TJB4G603



⚠ X-BOARD TNP4G030AB



F

G

H

J