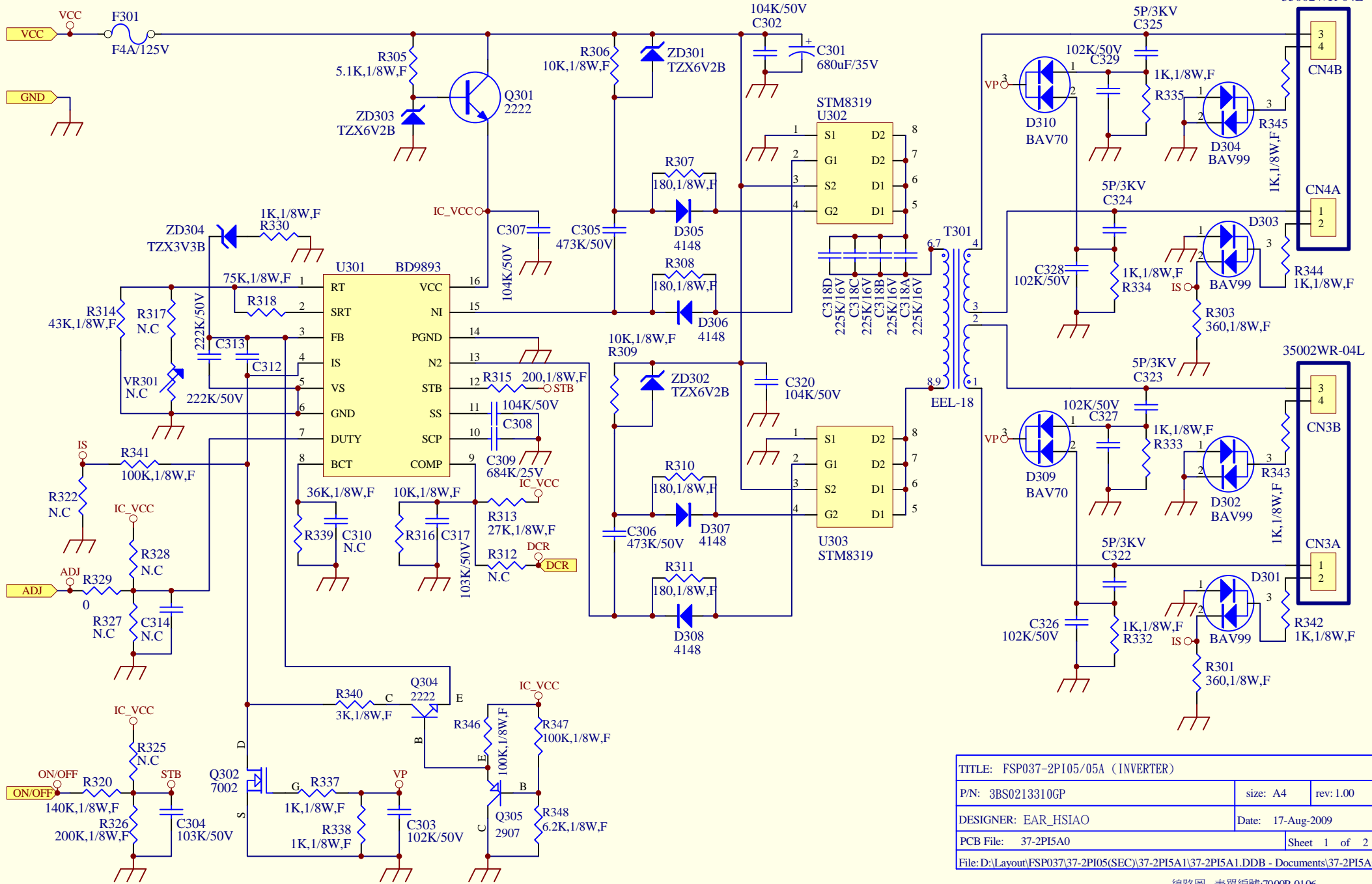
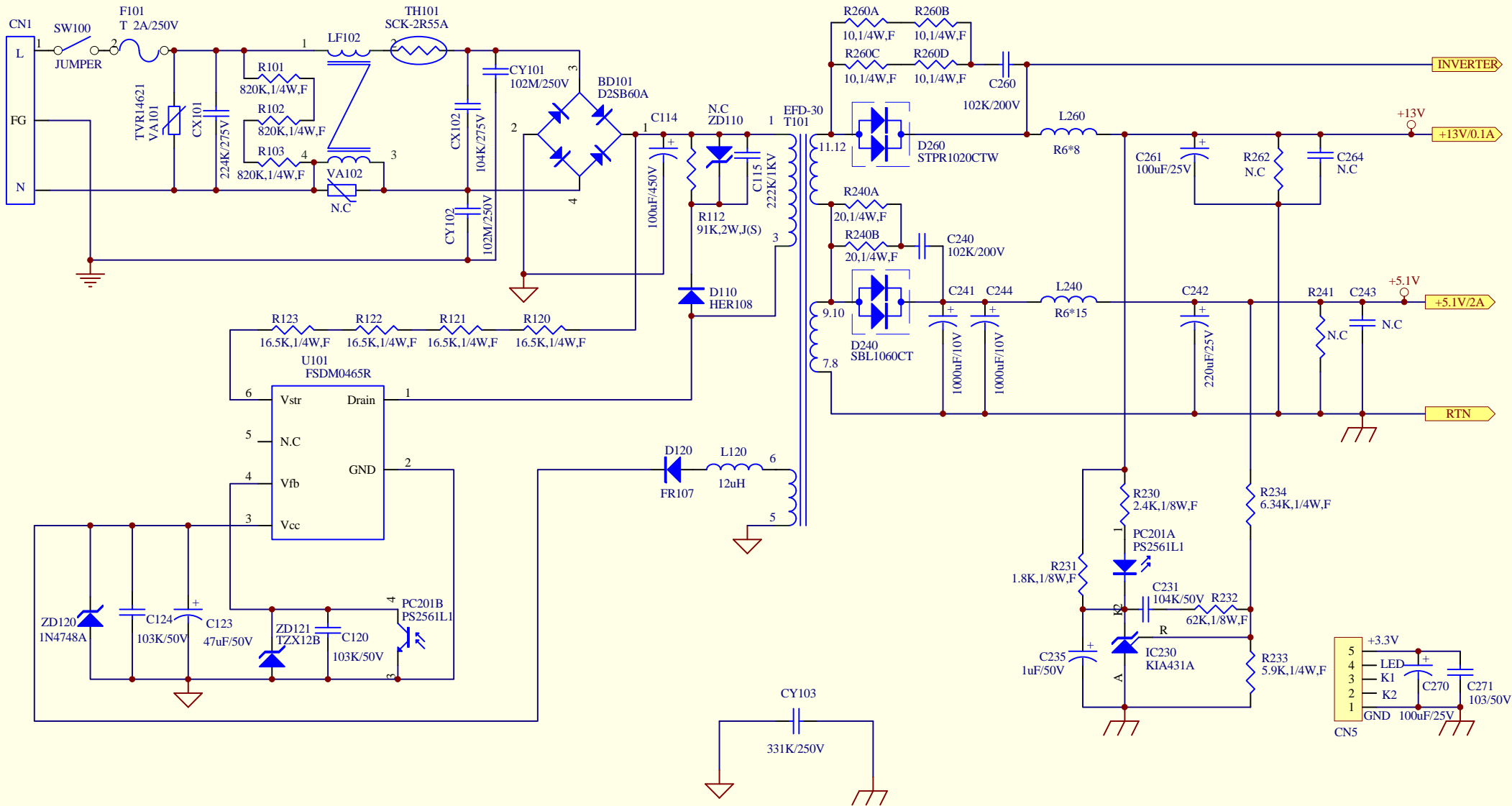


Circuit Drawing



TITLE: FSP037-2PI05/05A (INVERTER)		
P/N: 3BS0213310GP	size: A4	rev: 1.00
DESIGNER: EAR_HSHIAO	Date: 17-Aug-2009	
PCB File: 37-2PI5A0	Sheet 1 of 2	
File: D:\Layout\FSP037\37-2PI05(SEC)\37-2PI5A1\37-2PI5A1.DDB - Documents\37-2PI5A0(1).SC		



TITLE: FSP037-2PI05 (OPEN FRAME)		
P/N: 3BS0213310GP	size: A4	rev: 1.00
DESIGNER: EAR_HSHIAO	Date: 17-Aug-2009	
PCB File: 37-2PI5A0	Sheet 2 of 2	
File: D:\Layout\FSP037\37-2PI05(SEC)\37-2PI5A1\37-2PI5A1.DDB - Documents\37-2PI5A0.Sch		