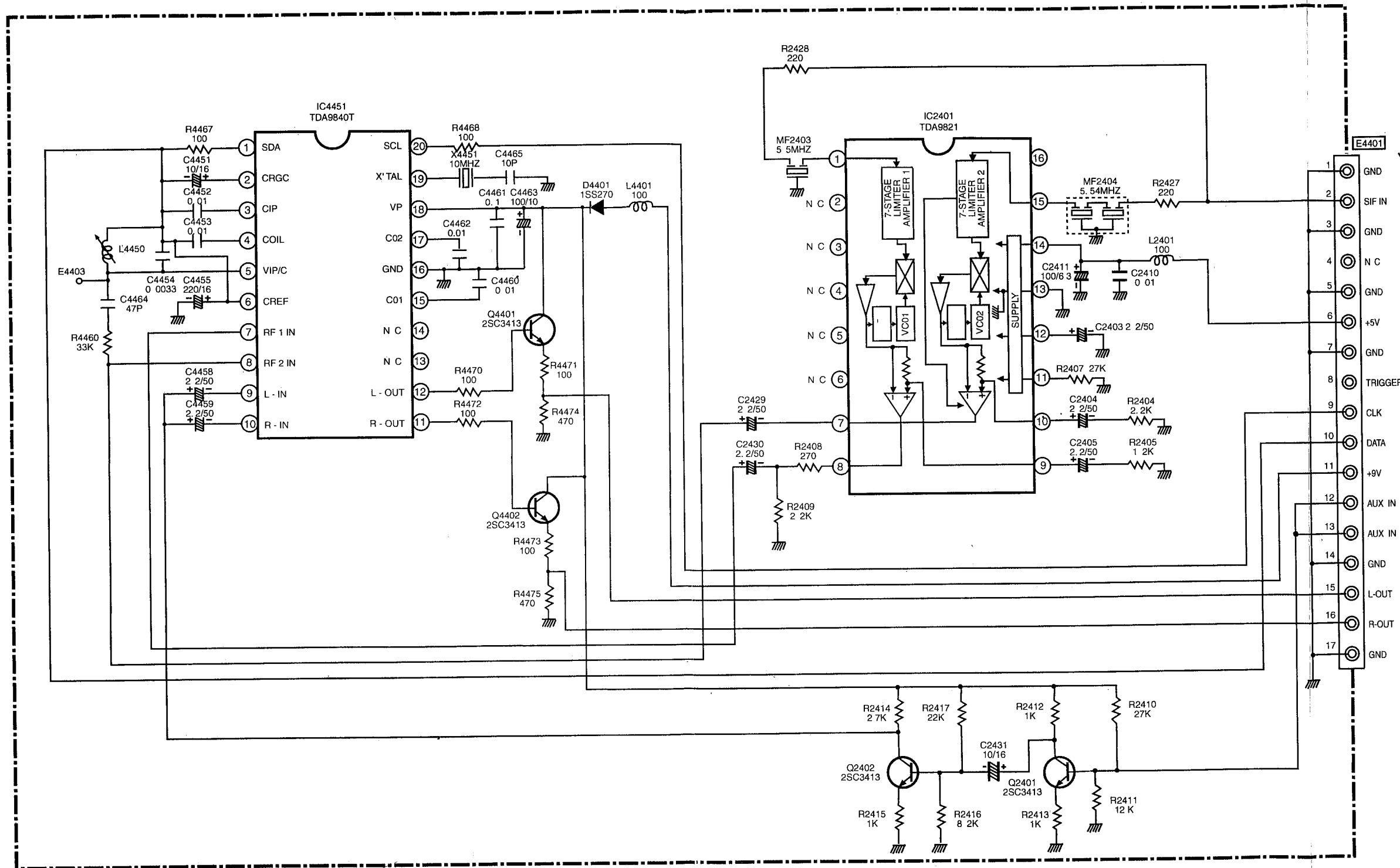




<http://www.espec.ws/>

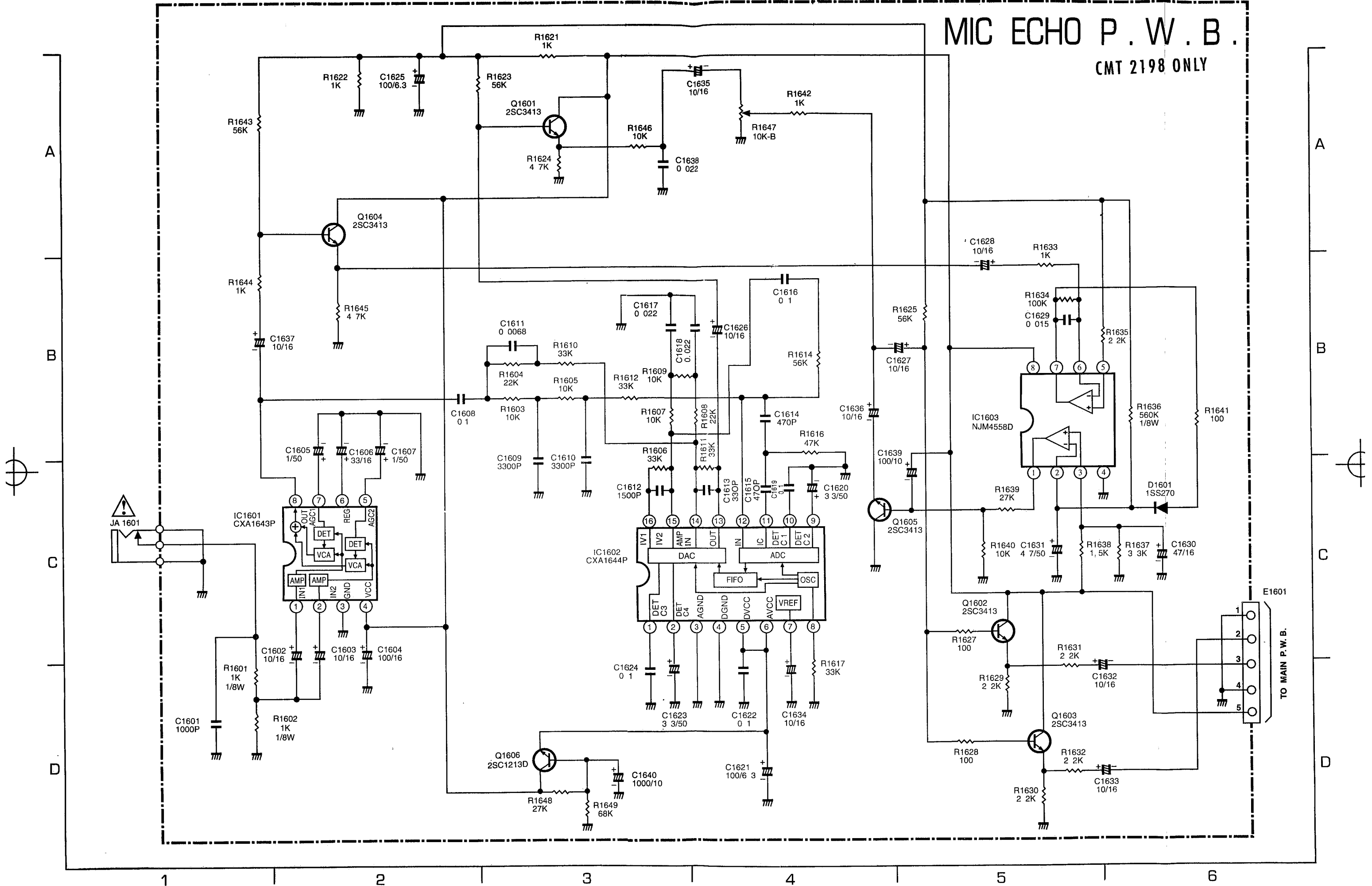
HITACHI CMT2187_2196_2198_219915 chassis S2

S2 A2 P.W.B. BASIC CIRCUIT DIAGRAM

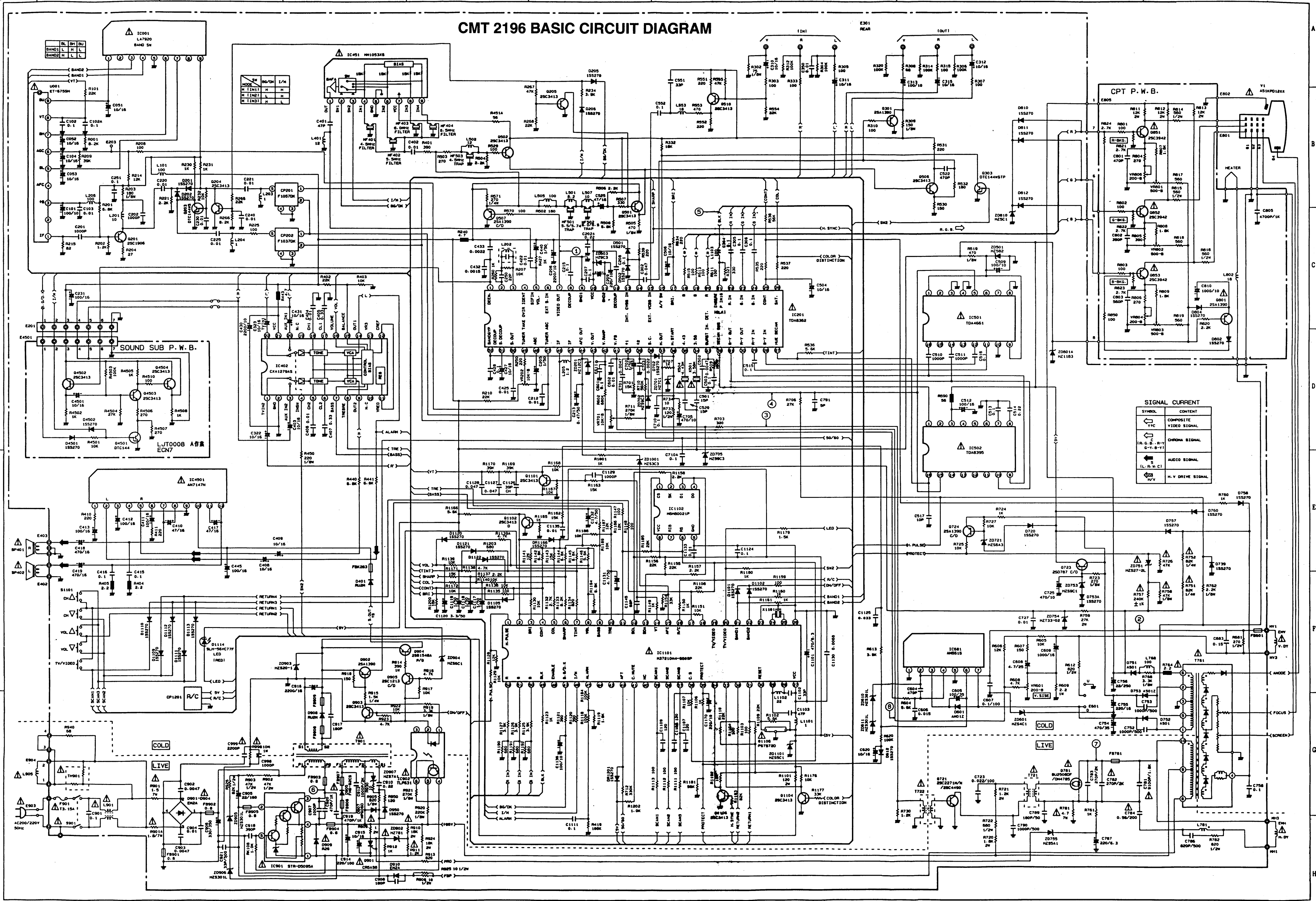


MIC ECHO P. W. B.

CMT 2198 ONLY



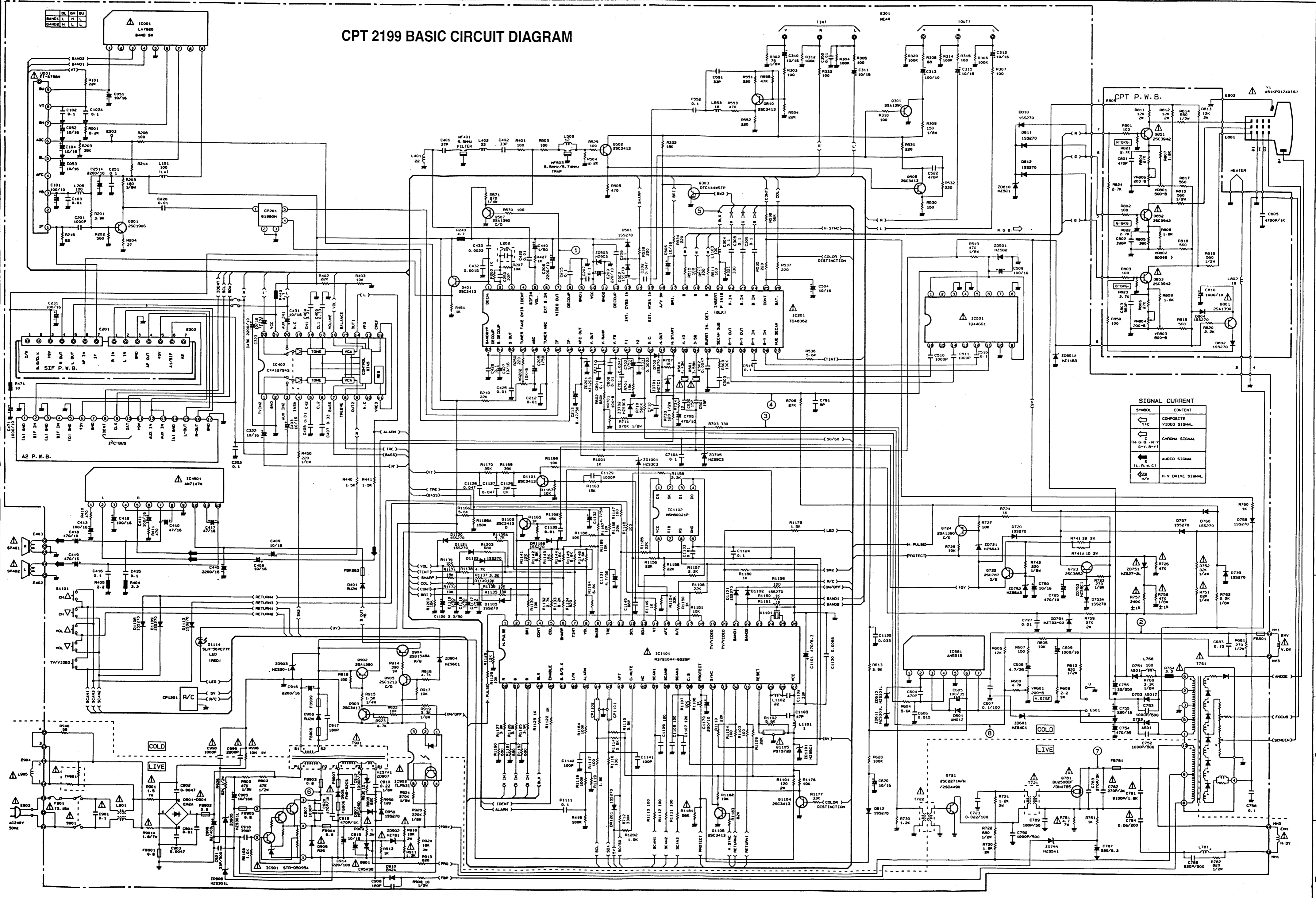
CMT 2196 BASIC CIRCUIT DIAGRAM



SIGNAL CURRENT

SYMBOL	CONTENT
Δ	COMPOSITE VIDEO SIGNAL
Y/C	CHROMA SIGNAL
IR, G, B-Y	G-Y, B-Y
S	ALDIO SIGNAL
IL, R, W, C	H. V DRIVE SIGNAL

CPT 2199 BASIC CIRCUIT DIAGRAM



SIGNAL CURRENT

SYMBOL	CONTENT
\leftarrow Y/C	COMPOSITE VIDEO SIGNAL
\leftarrow C	CHROMA SIGNAL
\leftarrow R-Y, B-Y	B-Y, B-Y
\leftarrow S	AUDIO SIGNAL
\leftarrow H.V.	H.V. DRIVE SIGNAL

ABCDEFGHIJKLMNPQRSTUVWXYZ

abcdefghijklmnopqrstuvwxyz

100

αβγδεζηθικλμνξοπ