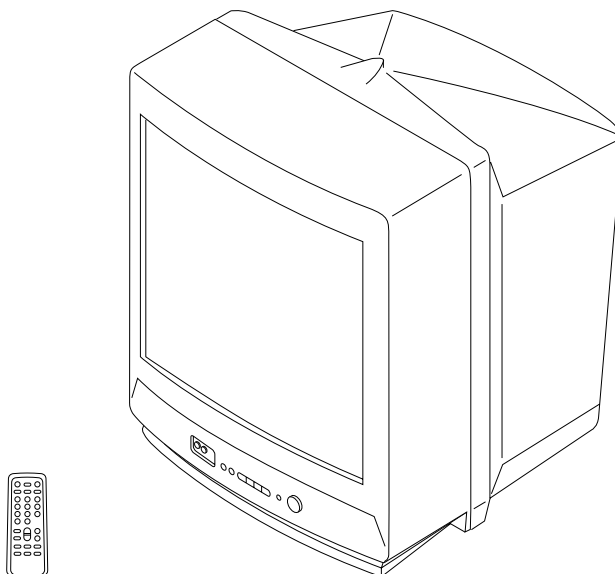


SERVICE MANUAL

BG-2S CHASSIS

<u>MODEL</u>	<u>COMMANDER</u>	<u>DEST.</u>	<u>CHASSIS NO.</u>	<u>MODEL</u>	<u>COMMANDER</u>	<u>DEST.</u>	<u>CHASSIS NO.</u>
KV-G14L2J	RM-869	ME	SCC-U07G-A				
KV-G21M2J	RM-869	ME	SCC-U07F-A				



TRINITRON[®] COLOR TV
SONY[®]

SPECIFICATIONS

	KV-G14L2J	KV-G21M2J	Note
Power requirements	110-240 V AC, 50/60 Hz		
Power consumption (W)	Indicated on the rear of the TV		
Television system	B/G	B/G, I, D/K, M	
Color system	PAL, PAL 60, SECAM, NTSC4.43, NTSC3.58 (AV IN)		
Channel coverage			
B/G	VHF: E2 to E12 / UHF: E21 to E69 / CATV: S01 to S03, S1 to S41		
I	-	UHF: B21 to B68 / CATV: S01 to S03, S1 to S41	
D/K	-	VHF: C1 to C12, R1 to R12/ UHF: C13 to C57, R21 to R60/ CATV: Z1 to Z39, S01 to S03, S1 to S41	
M	-	VHF: A2 to A13 / UHF: A14 to A79 / CATV: A-8 to A-2, A to W+ 4, W+ 6 to W+ 84	
Audio output (speaker)	3W		
Inputs	⏏ (antenna): 75 ohms external terminal ⏏ (video input) jacks: phono jacks D (video): 1 Vp-p, 75 ohms ≥ (audio): 500 mVrms, high impedance		
Outputs	⏏ (earphone) jack: mini jack ⏏ (monitor output) jacks: phono jacks ⏏ (video): 1 Vp-p, 75 ohms ≥ (audio): 500 mVrms		
Picture tube	14 in.	21in	
Tube size (cm)	37	54	Measured diagonally
Screen size (cm)	34	51	Measured diagonally
Dimensions (w/h/d, mm)	373 × 346 × 412	516 × 464 × 478	
Mass (kg)	11	22	

Design and specifications are subject to change without notice.

CAUTION

SHORT CIRCUIT THE ANODE OF THE PICTURE TUBE AND THE ANODE CAP TO THE METAL CHASSIS, CRT SHIELD, OR CARBON PAINTED ON THE CRT, AFTER REMOVING THE ANODE.

SAFETY-RELATED COMPONENT WARNING!!

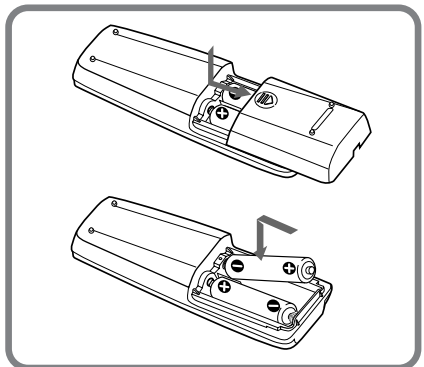
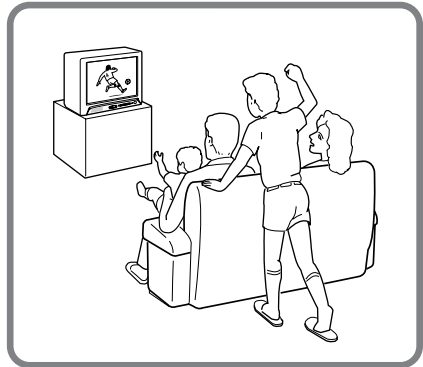
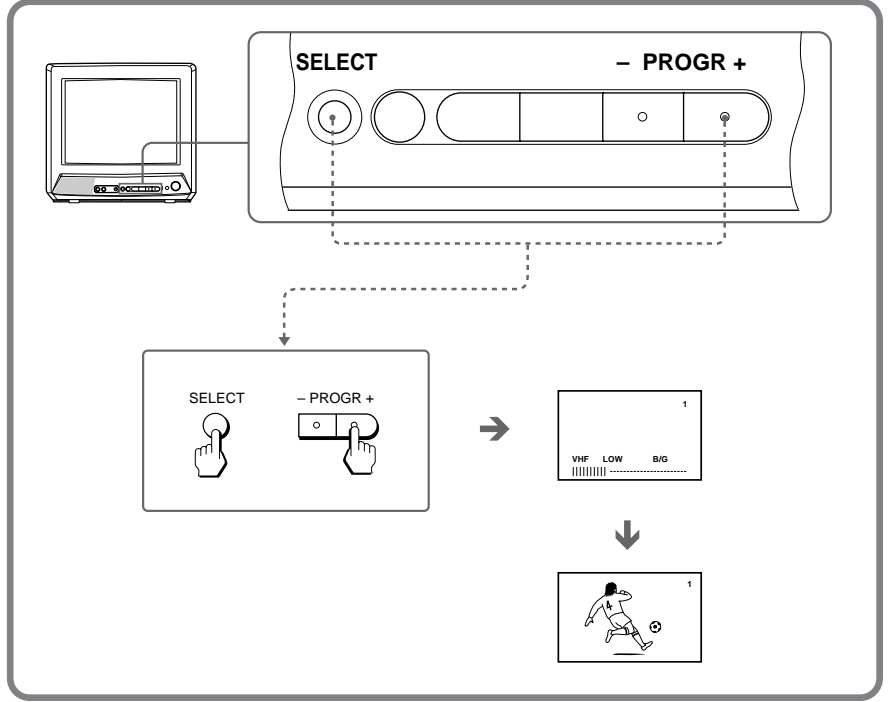
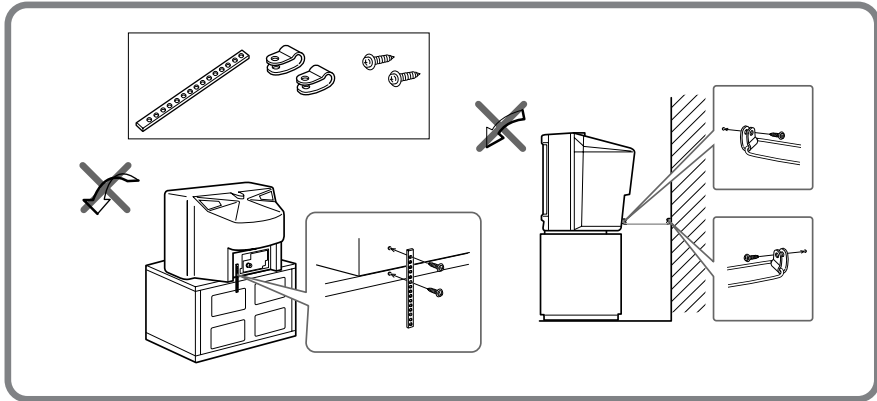
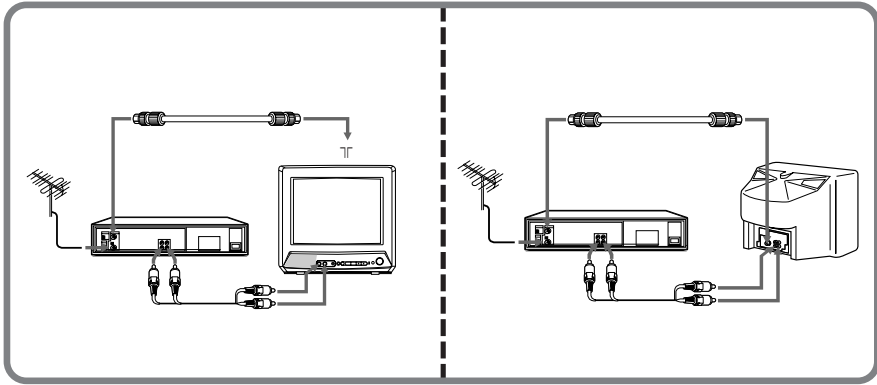
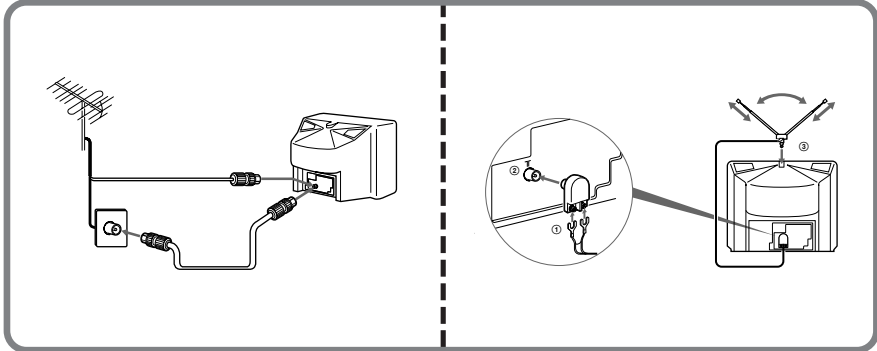
COMPONENTS IDENTIFIED BY SHADING AND MARK \triangle ON THE SCHEMATIC DIAGRAMS, EXPLODED VIEWS AND IN THE PARTS LIST ARE CRITICAL TO SAFE OPERATION. REPLACE THESE COMPONENTS WITH SONY PARTS WHOSE PART NUMBERS APPEAR AS SHOWN IN THIS MANUAL OR IN SUPPLEMENTS PUBLISHED BY SONY.

TABLE OF CONTENTS

<u>Section</u>	<u>Title</u>	<u>Page</u>	<u>Section</u>	<u>Title</u>	<u>Page</u>
1. GENERAL		4	6. DIAGRAMS		
2. DISASSEMBLY			6-1.	Block Diagram	23
2-1.	Rear Cover Removal	9	6-2.	Circuit Boards Location	26
2-2.	A Board Removal	9	6-3.	Schematic Diagrams and Printed Wiring Boards	26
2-3.	Service Position	9	(1)	Schematic Diagram of A Board	31
2-4.	Replacement of Parts	10	(2)	Schematic Diagram of C Board	36
2-5.	Terminal Board Bracket Removal	10	6-4.	Semiconductors	40
2-6.	Demagnetization Coil Removal	10	7. EXPLODED VIEW		
2-7.	Picture Tube Removal	11	7-1.	Chassis	42
3. SET-UP ADJUSTMENTS			8. ELECTRICAL PARTS LIST		43
3-1.	Beam Landing	12			
3-2.	Convergence	13			
3-3.	Focus Adjustment	14			
3-4.	G2 (Screen) and White Balance Adjustments	15			
4. SELF DIAGNOSIS FUNCTION		16			
5. CIRCUIT ADJUSTMENTS					
5-1.	Adjustments with Commander	17			
5-2.	Adjustment Method	18			
5-3.	A Board Adjustment after IC003 (Memory) Replacement	22			
5-4.	Picture Distortion Adjustment	22			

**SECTION 1
GENERAL**

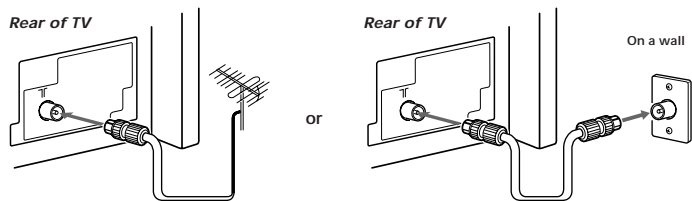
The operating instructions mentioned here are partial abstracts from the Operating Instructions Manual. The page numbers of the Operating Instruction Manual remain as in this manual.



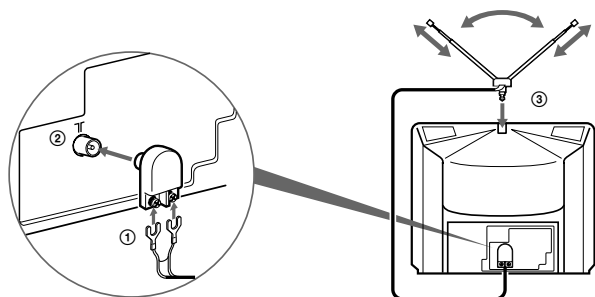
Connections

Connecting a VHF antenna or a combination VHF/UHF antenna — 75-ohm coaxial cable (round)

Attach an optional IEC antenna connector to the 75-ohm coaxial cable. Plug the connector into the Υ (antenna) socket at the rear of the TV.



Connecting an indoor antenna

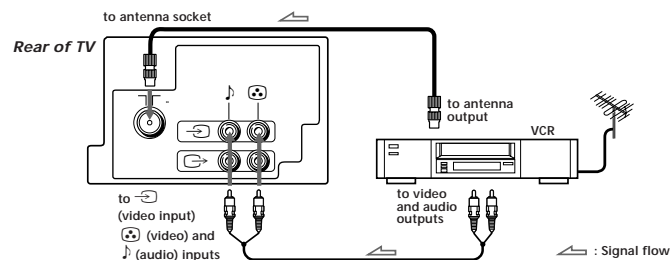
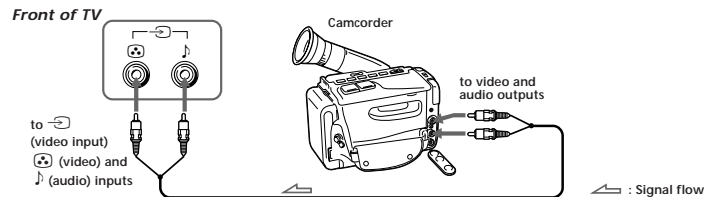


Note
• You are advised to use an outdoor antenna for better reception.

Connecting optional equipment

You can connect optional audio/video equipment to your TV such as a VCR, multi disc player, camcorder, or video game.

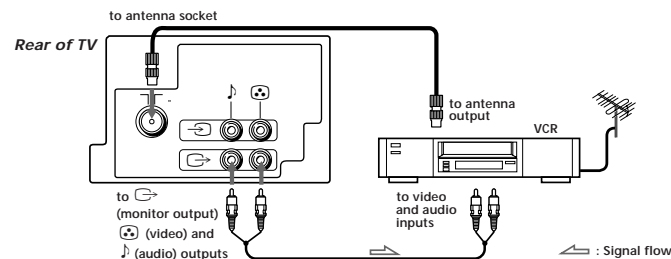
Connecting video equipment using the \rightarrow (video input) jack



When connecting video equipment to the \rightarrow (video input) jack

Do not connect video equipment to the \rightarrow (video input) jacks at the front and the rear of your TV simultaneously; otherwise the picture will not be displayed properly on the screen.

Connecting audio/video equipment using the \leftarrow (monitor output) jack



When recording through the \leftarrow (monitor output) jack

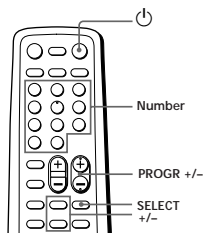
Do not change the channel or video input while recording with a VCR; otherwise the channel or video input you are recording also will be changed.

Presetting channels

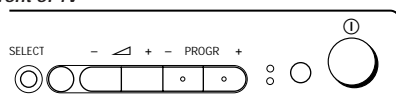
You can preset up to 100 TV channels in numerical sequence from program position 1 using the buttons on the remote commander or the TV.

You can preset TV channels quickly, automatically or manually.

Remote commander



Front of TV



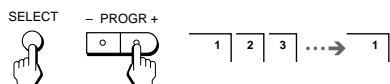
Quick channel presetting

- 1 Press to turn on the TV.



When the TV is turned on in standby mode, press on the remote commander.

- 2 Press **SELECT** and **PROGR +** on the TV simultaneously for one to two seconds.

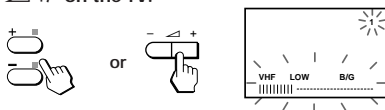


Presetting channels automatically

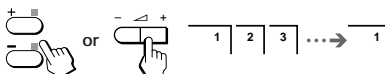
- 1 Press **SELECT** on the remote commander or the TV until "AUTO PROGRAM" appears on the screen.



- 2 Press **+/-** on the remote commander or on the TV.

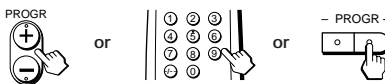


- 3 Press **+/-** on the remote commander or on the TV again.



To start presetting channels automatically from the specified program position

Press **PROGR +/-** or number buttons on the remote commander or **PROGR +/-** on the TV until the required program position appears on the screen after step 2 of "Presetting channels automatically".

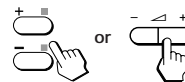


Presetting channels manually

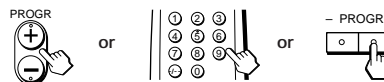
- 1 Press **SELECT** on the remote commander or the TV until "MANUAL PROGRAM" appears on the screen.



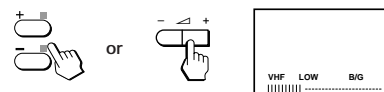
- 2 Press **+/-** on the remote commander or on the TV.



- 3 Press **PROGR +/-** or number buttons on the remote commander or **PROGR +/-** on the TV until the required program position appears on the screen.



- 4 Press **+/-** on the remote commander or on the TV until the required channel picture appears on the screen.



- 5 Press **SELECT** on the remote commander or the TV.



Disabling program positions

- 1 Press **PROGR +/-** or number buttons on the remote commander or **PROGR +/-** on the TV until the unused or unwanted program position appears on the screen.
- 2 Press **SELECT** on the remote commander or the TV until "MANUAL PROGRAM" appears on the screen.
- 3 Press **+/-** on the remote commander or on the TV.
- 4 Press **PIC MODE** on the remote commander.
- 5 Press **SELECT** on the remote commander or the TV.

To preset the disabled program position again
Preset the channel quickly, automatically or manually.

Watching the TV

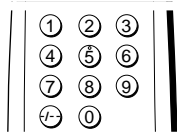
1 Press ① to turn on the TV.



When the TV is turned on in standby mode, press ① on the remote commander.

2 Select the TV program you want to watch.

To select a program position directly
Press the number button.



To select a two-digit program position, press “-/-” before the number buttons.

For example: to select program position 25, press “-/-,” and then “2” and “5.”



To scan through program positions

Press **PROGR +/-** until the program position you want appears.



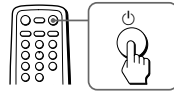
3 Press \triangle +/- to adjust the volume.



Turning off the TV

To turn off the TV temporarily

Press ① on the remote commander. The ① indicator on the TV lights up.



To turn off the TV completely

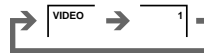
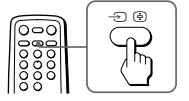
Press ① on the TV.

If the power on the TV is turned off in standby mode, the ① indicator on the TV may remain alight for a while.



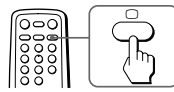
Watching the video input

Press \rightarrow ⑤.



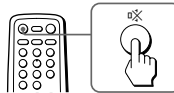
To watch TV

Press ①.



Muting the sound

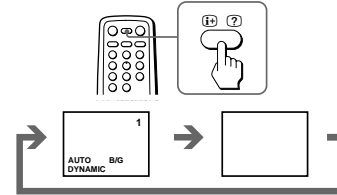
Press \boxtimes .



Displaying on-screen information

Press ④ ⑦ .

The program position, local system, and TV settings are displayed on the screen.

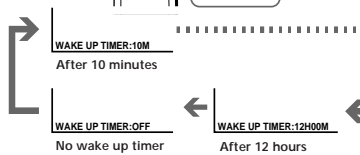
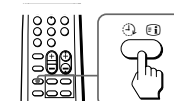


Setting the Wake Up Timer

You can set the TV automatically turned on as you program.

1 Press ⌚ ① repeatedly to set the timer.

The on-screen display appears and the ① indicator on the TV lights up.



2 If you want a particular TV program or video input to be displayed using the Wake Up Timer, select the TV program or video input.

3 Press ① on the remote commander or set the Sleep Timer to turn off the TV in standby mode.

To cancel the Wake Up Timer, press ⌚ ① repeatedly until “WAKE UP TIMER: OFF” appears, or turn off the main power of the TV.

Notes

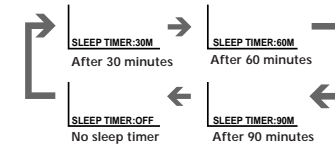
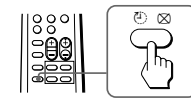
- The Wake Up Timer starts immediately after the on-screen display disappears.
- The last TV program position or video input just before the TV turns into standby mode will appear when the TV is turned on using the Wake Up Timer.

- If no buttons or controls are pressed for more than two hours after the TV is turned on using the Wake Up Timer, the TV automatically turns into standby mode. If you want to continue watching the TV, press any button or control on the TV or remote commander.

Setting the Sleep Timer

You can set the TV automatically turned off as you program.

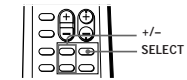
Press ⌚ \boxtimes .



To cancel the Sleep Timer, press ⌚ \boxtimes repeatedly until “SLEEP TIMER: OFF” appears, or turn off the TV.

Changing the on-screen display language

If you prefer Chinese to English, you can use buttons on the remote commander or the TV to change the on-screen display language.



1 Press SELECT until the screen appears as follows:



2 Press +/- to select “///”.



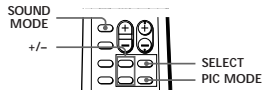
Note

- You can also use SELECT and \triangle +/- on the TV to select the on-screen display language.

Adjusting the picture

Note on the SOUND MODE button

- The sound mode feature is unavailable for your TV. Thus, the SOUND MODE button on the remote commander is not used for your TV.

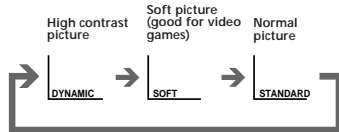


Selecting the picture mode

Press PIC MODE until the mode you want appears.



Each time you press PIC MODE, the screen changes as follows:



Note

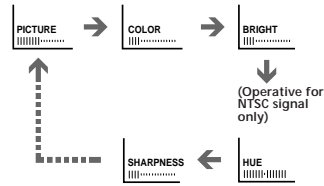
- If you change the picture mode after the following adjustments, the adjustment changes in accordance with the picture mode.

Adjusting the picture setting

- Press SELECT until the item you want to adjust appears.



Each time you press SELECT, the screen changes as follows:



- Press +/- to adjust the item.

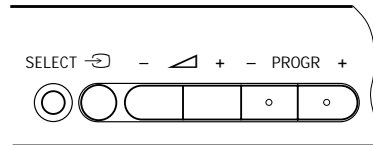


- To adjust other items, repeat steps 1 and 2.

Note

- You can also use SELECT and +/- on the TV to adjust the picture setting.

Front of TV



If the picture color is abnormal when receiving programs through the (antenna) terminal or the (video input) jack

Change the "COLOR SYSTEM" setting or adjust the "COLOR" level in the on-screen display until the color becomes normal.

Note

- Normally set "COLOR SYSTEM" to "AUTO".

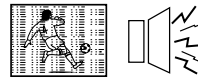
Additional Information

Troubleshooting

If you have any problems, read this manual again and check the countermeasure for each of the symptoms listed below.

If the problem persists after trying the methods below, contact your nearest authorized service center or dealer.

Snowy picture Noisy sound



- Check the antenna.
- Check the antenna connection on the TV and on the wall.

Dotted lines or stripes



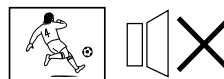
- This may be caused by local interference (e.g. cars, neon signs and hair dryers). Adjust the antenna for minimum interference.

Double images or "ghosts"



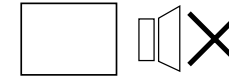
- This may be caused by reflections from nearby mountains or buildings. A highly directional antenna may improve the picture.

Good picture No sound



- Press +.
- Press .

No picture No sound



- Press or .
- Check the antenna connection.
- Check the VCR connections.
- Check the power cord connection.
- Check the standby mode.

No color



- Adjust the "COLOR" level in the on-screen display.
- Check the "COLOR SYSTEM" setting.

TV cabinet creaks

- Even if the picture or the sound is normal, changes in the room temperature sometimes make the TV cabinet expand or contract, making a noise. This does not indicate a malfunction.

Note on the remote commander

- The supplied remote commander is used on several models of the TV. If you do not find instructions for some controls that are on the remote commander, that means your TV does not employ the features of those controls, e.g. and SOUND MODE.

Notes

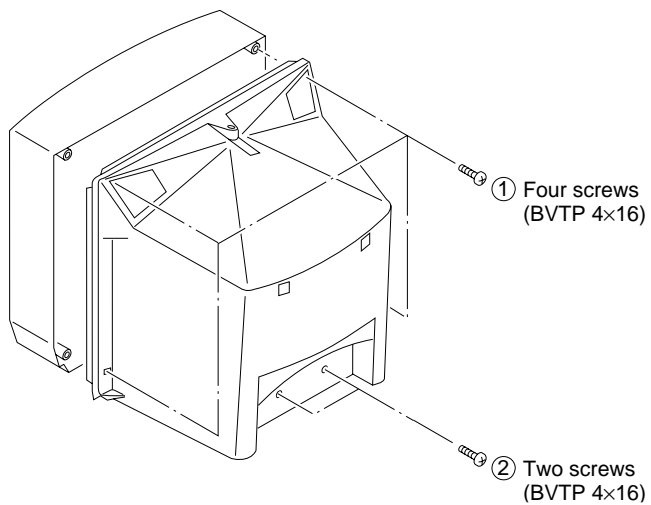
- When you turn on the TV, you may hear the "boon" sound that is caused by the demagnetization of the TV. This does not indicate a malfunction.
- The picture color may become abnormal if you change the direction of your TV. To obtain the normal picture color, press on the TV to turn off the TV for five minutes and then turn it on again.
- Design and specifications are subject to change without notice.
- All contents in the instruction manual are subject to change without notice.

WARNING

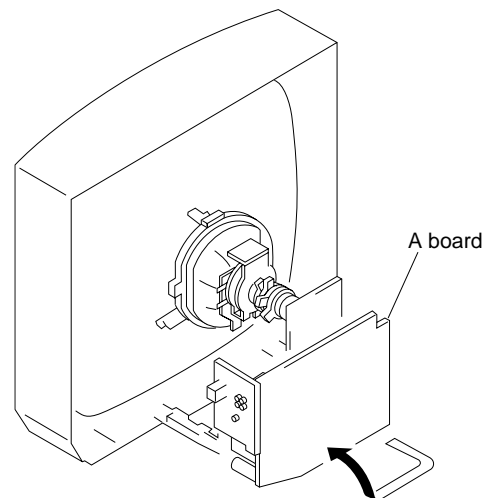
Do not install the appliance in a confined space, such as a bookcase or built-in cabinet.

SECTION 2 DISASSEMBLY

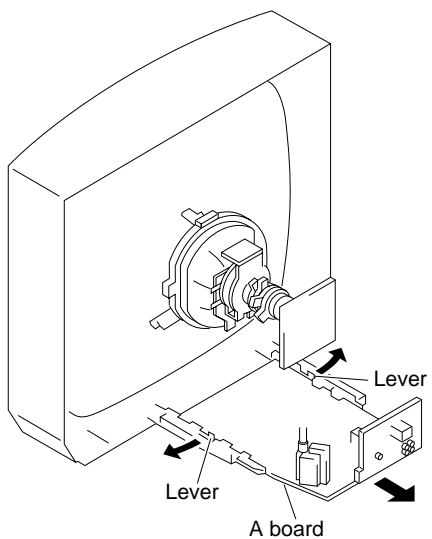
2-1. REAR COVER REMOVAL



2-3. SERVICE POSITION



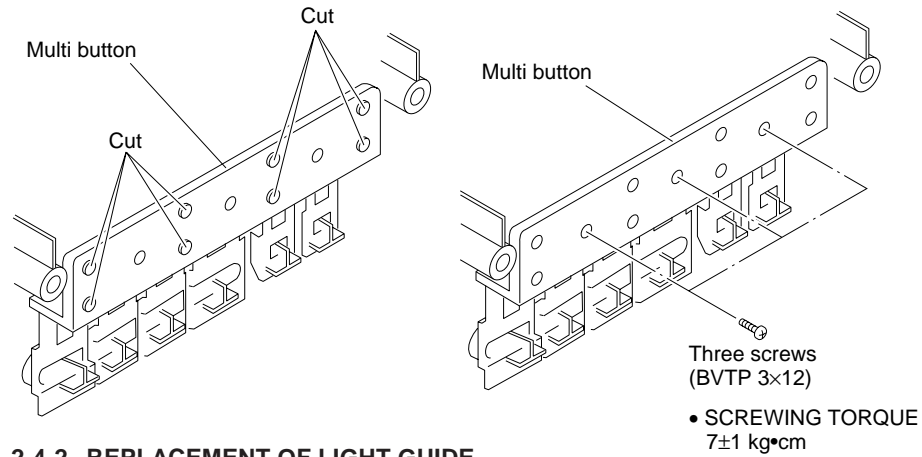
2-2. A BOARD REMOVAL



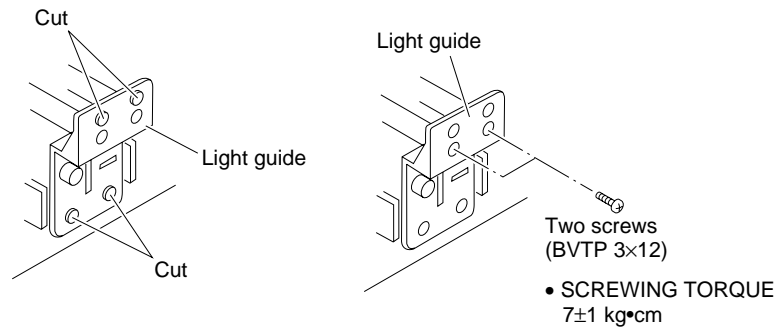
2-4. REPLACEMENT OF PARTS

For replacement of the Multi Button and Light Guide, cut the welded portions from them, exchange with the new parts, and fix them with screws (+BVTP) respectively.

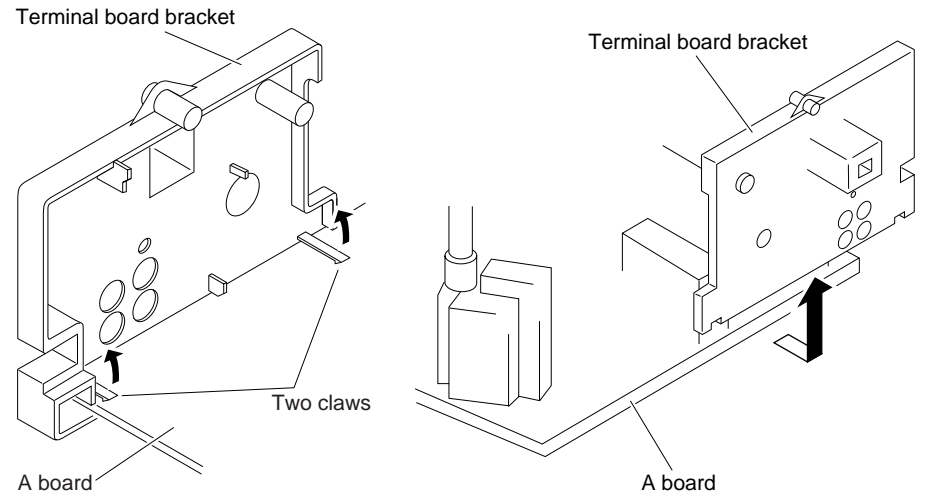
2-4-1. REPLACEMENT OF MULTI BUTTON



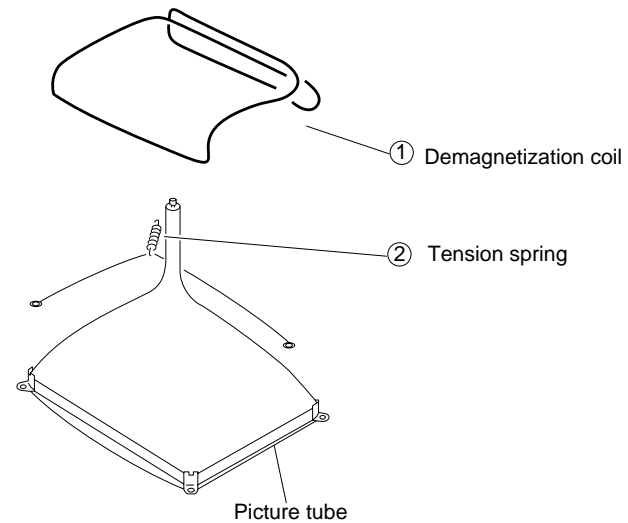
2-4-2. REPLACEMENT OF LIGHT GUIDE



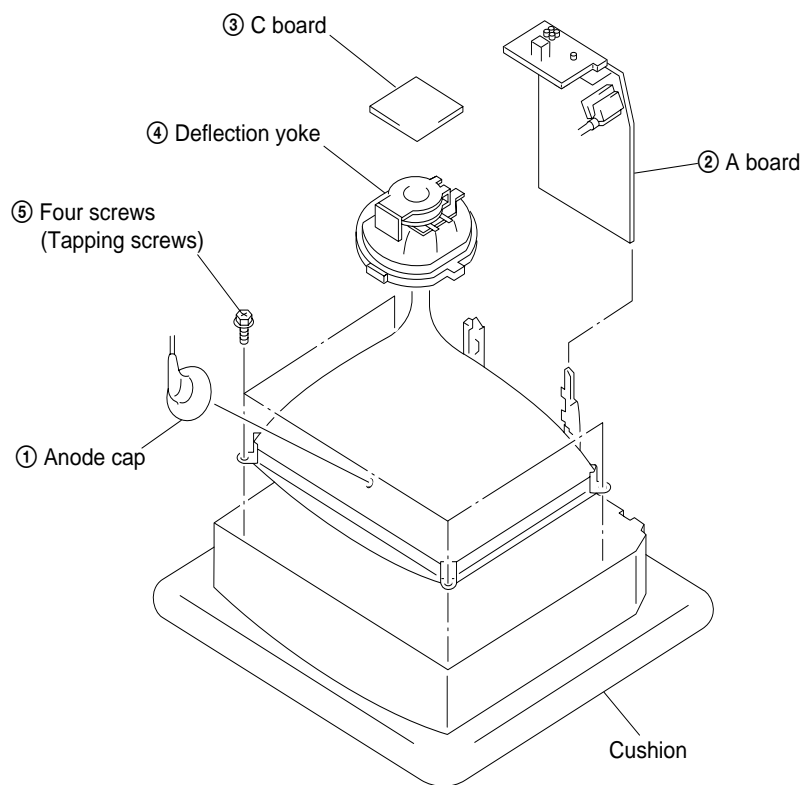
2-5. TERMINAL BOARD BRACKET REMOVAL



2-6. DEMAGNETIZATION COIL REMOVAL



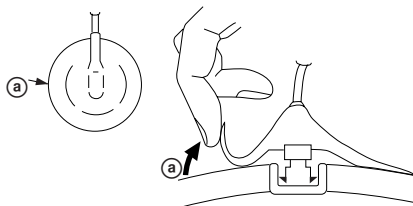
2-7. PICTURE TUBE REMOVAL



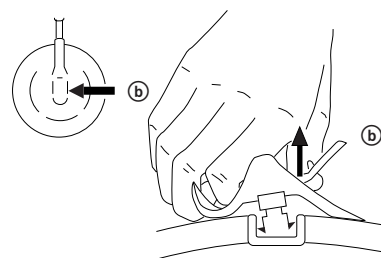
• REMOVAL OF ANODE-CAP

NOTE : After removing the anode, short circuit the anode of the picture tube and the anode cap to the metal chassis, CRT shield or carbon paint on the CRT.

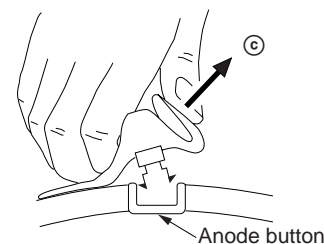
• REMOVING PROCEDURES



- ① Turn up one side of the rubber cap in the direction indicated by the arrow ①.



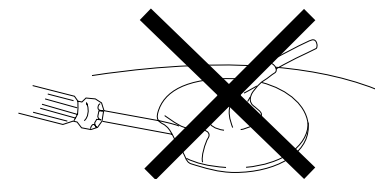
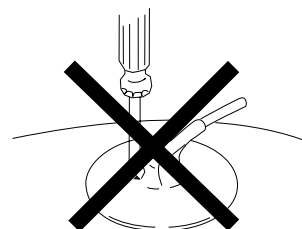
- ② Using a thumb press down, then pull up the rubber cap firmly in the direction indicated by the arrow ②.



- ③ When one side of the rubber cap is separated from the anode button, the anode-cap can be removed by turning up the rubber cap and pulling it up in the direction of the arrow ③.

• HOW TO HANDLE AN ANODE-CAP

- ① Do not damage the surface of anode-cap with sharp shaped objects.
- ② Do not press the rubber too hard so as not to damage the inside of anode-cap. A metal fitting called the shatter-hook terminal is built into the rubber.
- ③ Do not turn the foot of rubber over too hard. The shatter-hook terminal will stick out or damage the rubber.



SECTION 3 SET-UP ADJUSTMENTS

- The following adjustments should be made when a complete realignment is required or a new picture tube is installed.
- These adjustments should be performed with rated power supply voltage unless otherwise noted.

Controls and switch should be set as follows unless otherwise noted:

PICTURE control normal
BRIGHTNESS control normal

Perform the adjustments in the following order:

1. Beam Landing
2. Convergence
3. Focus
4. White Balance

Note : Test Equipment Required:

1. Color-bar/Pattern Generator
2. Degausser
3. Oscilloscope

Preparation :

- In order to reduce the influence of geomagnetism on the set's picture tube, face it east or west.
- Switch on the power and degauss with the degausser.

3-1. BEAM LANDING

1. Input a white signal with the pattern generator.

Contrast	} normal
Brightness	
2. Set the pattern generator raster signal to green.
3. Move the deflection yoke to the rear and adjust with the purity control so that the green is at the center and the blue and the red take up equally sized areas on each side.
(See Figures 3-1 through 3-3.)
4. Move the deflection yoke forward and adjust so that entire screen is green. (See Figure 3-1.)
5. Switch the raster signal to blue, then to red and verify the condition.
6. When the position of the deflection yoke has been decided, fasten the deflection yoke with the screws.
7. If the beam does not land correctly in all the corners, use a magnet to adjust it. (See Figure 3-4.)

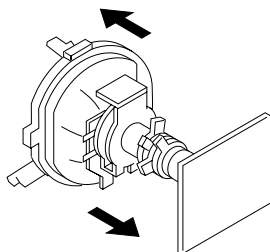


Fig. 3-1

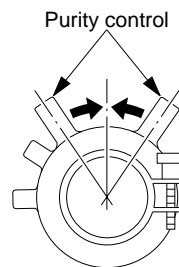


Fig. 3-2

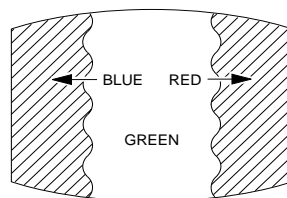


Fig. 3-3

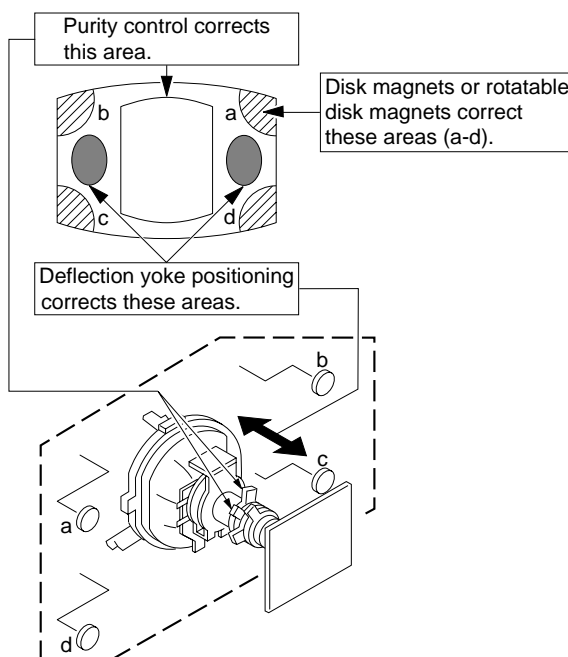


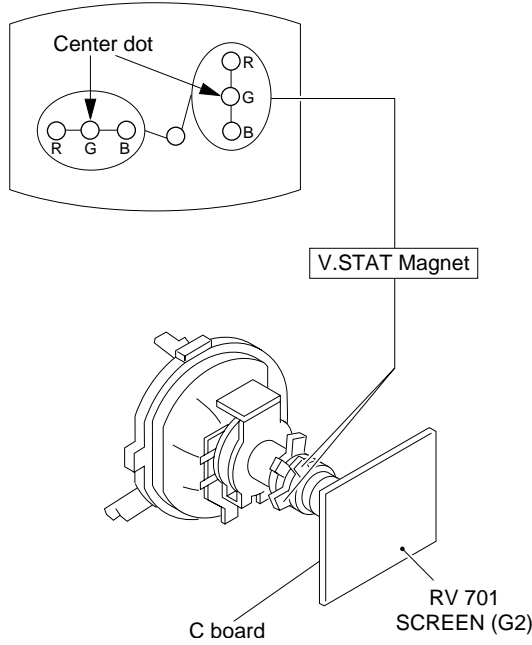
Fig. 3-4

3-2. CONVERGENCE

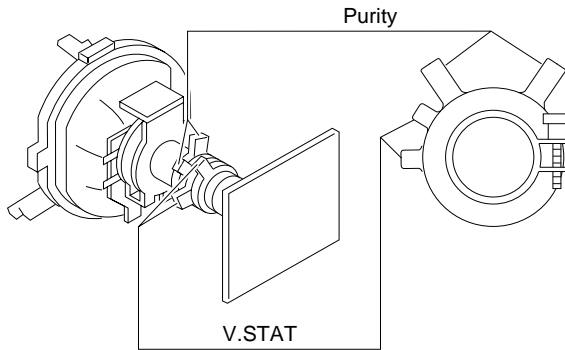
Preparation :

- Before starting this adjustment, adjust the focus, horizontal size, and vertical size.
- Minimize the brightness setting.
- Provide dot pattern.

(1) Horizontal and Vertical Static Convergence

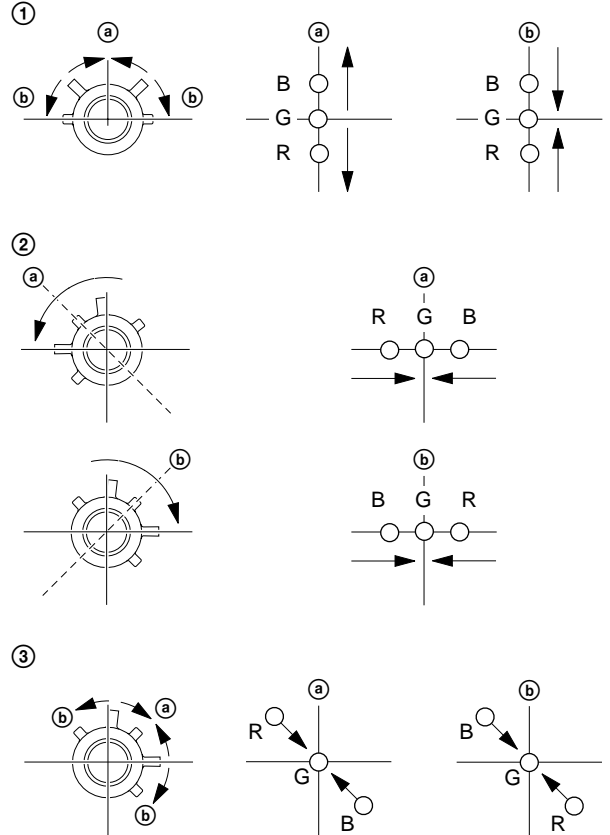


1. (Moving vertically), adjust the V.STAT magnet so that the red, green and blue dots are on top of each other at the center of the screen.
2. (Moving horizontally), adjust the H.STAT VR so that the red, green and blue dots are on top of each other at the center of the screen.



- Operation of V.STAT magnet.

If the V.STAT magnet is moved in the direction of the (a) and (b) arrows, the red, green and blue dots move as shown below.



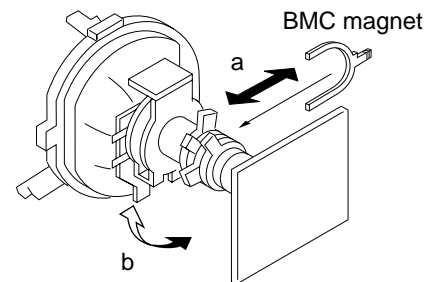
- Operation of BMC (Hexapole) magnet.

If the blue or red dot does not converge with the other two dots, perform following steps.

Move BMC magnet (a) to correct insufficient H.static convergence.

Rotate BMC magnet (b) to correct insufficient V.static convergence.

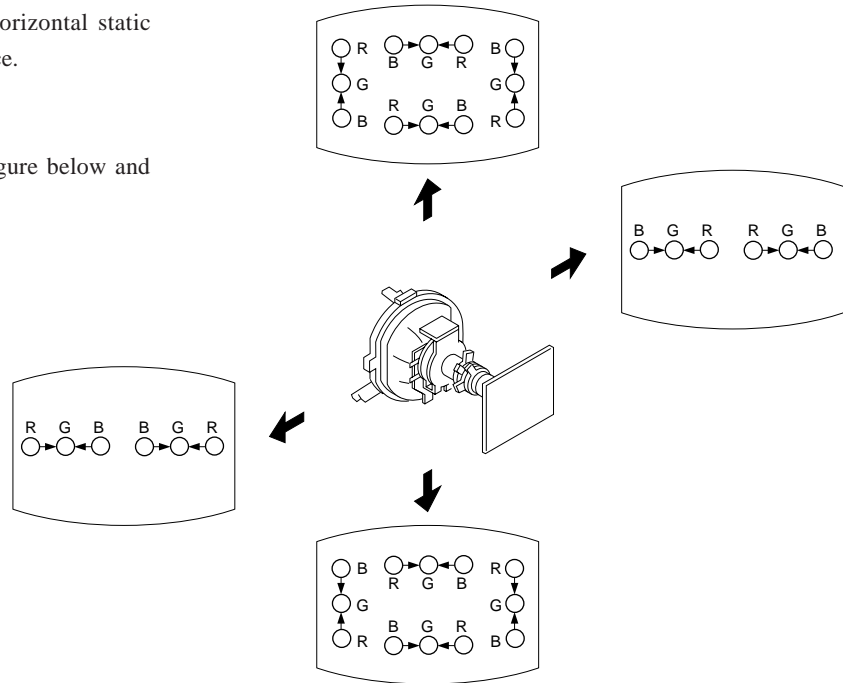
In either case, repeat Beam Landing Adjustment.



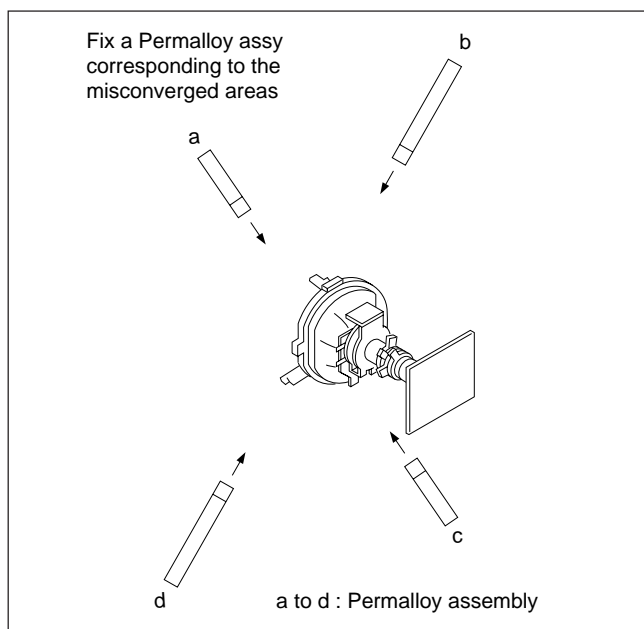
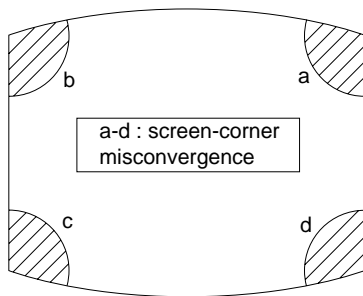
(2) Dynamic Convergence Adjustment

Preparation :

- Before starting this adjustment, adjust the horizontal static convergence and the vertical static convergence.
1. Slightly loosen the deflection yoke screws.
 2. Remove the deflection yoke spacer.
 3. Move the deflection yoke as shown in the figure below and optimize the convergence.
 4. Tighten the deflection yoke screws.
 5. Install the deflection yoke spacer.

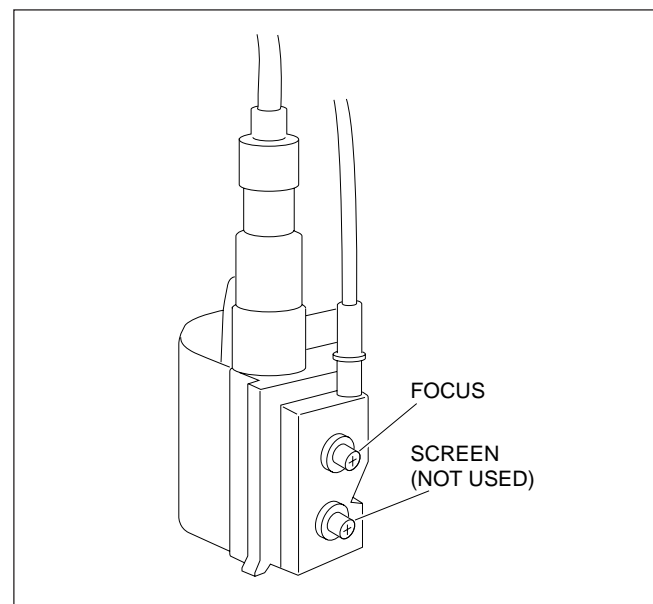


(3) Screen-corner Convergence



3-3. FOCUS ADJUSTMENT

Adjust FOCUS control on the flyback transformer for the best focus.



Note: Screen VR is not used.

a. AN ITEM OF ADJUSTMENT

Item number	Adjustment Item	Initial DATA	Note
09	RDR	3F	WHITE POINT R
0A	GDR	3F	WHITE POINT G
0B	BDR	3F	WHITE POINT B

b. METHOD OF CANCELLATION FROM SERVICE MODE

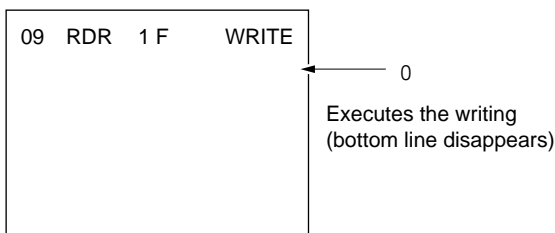
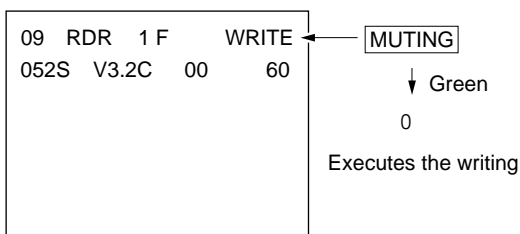
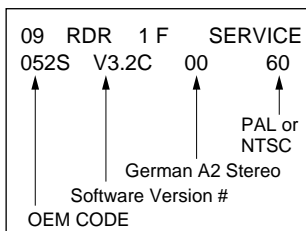
Set the standby condition (Press **POWER** button on the commander) and then press **POWER** button again, hereupon it becomes TV mode.

c. METHOD OF WRITE FOR MEMORY

- 1) Set to Service Mode.
- 2) Press **1** (UP) and **4** (DOWN) to select an item of adjustments.
- 3) Press **MUTING** button and it will indicate WRITE on screen.
- 4) Press **0** button to write into memory.

d. MEMORY WRITE CONFIRMATION METHOD

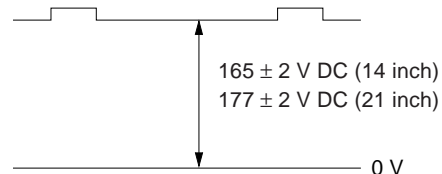
- 1) After adjustment, pull out the plug from AC outlet, and then plug into AC outlet again.
- 2) Turn the power switch ON and set to Service Mode.
- 3) Call the adjusted items again, confirm they were adjusted.



3-4. G2 (SCREEN) AND WHITE BALANCE ADJUSTMENTS

1. G2 (SCREEN) ADJUSTMENT (RV701)

- 1) Set the PICTURE and BRIGHTNESS to normal.
- 2) Put to VIDEO input mode without signals.
- 3) Connect R, G and B of the C board cathode to the oscilloscope.
- 4) Adjust G2 (RV701) volume to the value below.



2. WHITE BALANCE ADJUSTMENTS

- 1) Set to Service Mode.
- 2) Input an entire white signal.
- 3) Set the PICTURE to maximum.
- 4) Select RDR(09) with **1** and **4**, and then set the level to 25 with **3** and **6**.
- 5) Select GDR(0A) and BDR(0B) with **1** and **4**, and adjust the level with **3** and **6** for the best white balance.
- 6) Write into the memory by pressing **MUTING**, then **0**.

SECTION 4

SELF DIAGNOSIS FUNCTION

If no acknowledgement is returned from a device which is turned "ON", the device has a problem.
In this case, one of the LED's responding to the problem device will flicker a defined number of times.

Flickering is operated by lighting the LED's for 60ms each time.

The flickering frequency responding to each failed device is shown below.

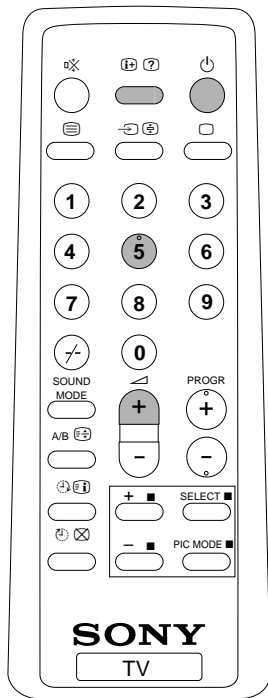
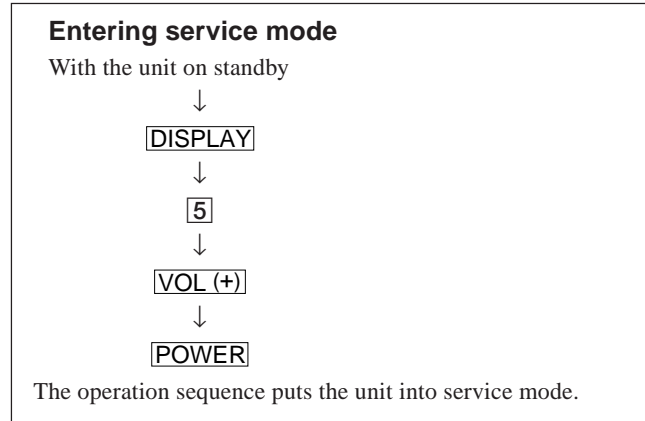
Board name	A Board	A Board
Ref. No.	IC003	IC300
Device	NONVOLATILE MEMORY (ST24C04FB6)	Y/C JUNGLE (TDA8374A)
Flickering Frequency	1	3

All the devices are checked one after another from the left of the table.
If an error is found, the responding LED will start flickering.
So, if more than 1 device have failed, only the one on the left side will flicker.

SECTION 5 CIRCUIT ADJUSTMENTS

5-1. ADJUSTMENTS WITH COMMANDER

Service adjustments are made with the RM-869 that comes with this unit.

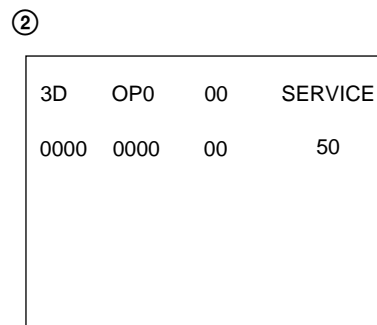
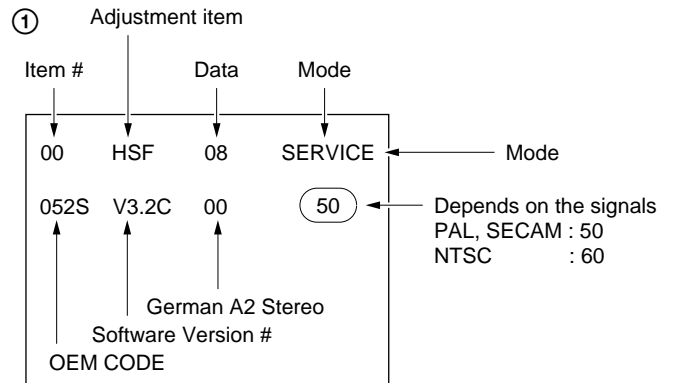


RM-869

1, 4	Raise/lower the service item number
3, 6	Raise/lower the data
MUTING	Writes
0	Executes the writing

- 7, 0** All data becomes the values in memory
- 8, 0** All user control goes to the standard state
- 5, 0** Service data initialization (Be sure not to use usually.)
- 2, 0** Write 50Hz adjustment data to 60Hz, or viceversa.

The screen display is :



(Bit options adjustable)

1, 4	Select the adjustment item.
↓	
3, 6	Raise/lower the data.
↓	
MUTING	Writes
↓	
0	Executes the writing.

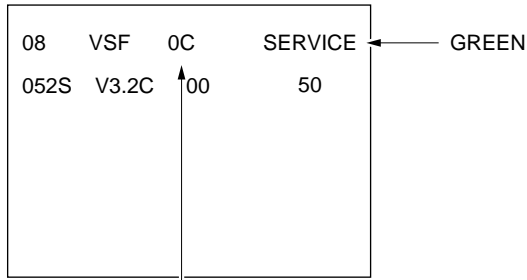
5-2. ADJUSTMENT METHOD

Item Number 08

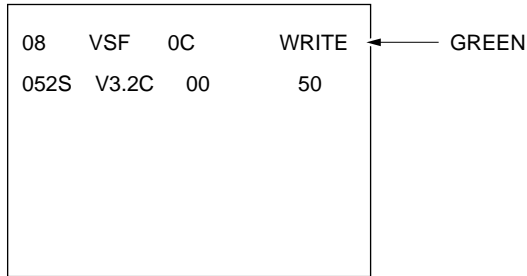
This explanation uses V-SHIFT as an example.

1. Select 08 V-SHIFT with the **[1]** and **[4]** buttons.
2. Raise/lower the data with the **[3]** and **[6]** buttons.
3. Select the optimum state. (The standard is 0F for PAL reception.)
4. Write with the **[MUTING]** button.
5. Execute the writing with the **[0]** button. (The WRITE display returns to green SERVICE.)

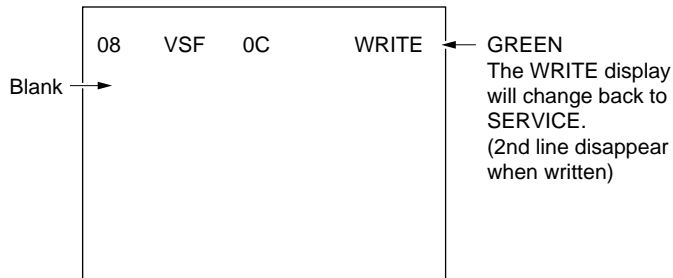
Use the same method for Items Number 00-40. Use **[1]** and **[4]** to select the adjustment item, use **[3]** and **[6]** to adjust, write with **[MUTING]**, then execute the write with **[0]**.



Adjusted with 3 and 6 buttons



Written with **[MUTING]**



Write executed with 0

Adjustment Item Table

Item No.	Adj Item	Initial Data	Note for Different Data	Standard Data (KV-G14L2J)	Standard Data (KV-G21M2J)	Function	Device
00	HSF	24	50/60Hz/RGB 50/RGB 60	1F/28/1F/28	2C/33/31/38	H Shift	
01	HSZ	23	50/60Hz/RGB 50/RGB 60	20/20/20/20	35/35/35/35	H Size	
02	PAP	21	50/60Hz	20/20	25/25	Pin Amplitude	
03	CNP	29	50/60Hz	20/20	10/0C	Corner Pin	
04	TLT	20	50/60Hz	20/20	20/2D	Tilt	
05	VSL	20	50/60Hz	1F/1F	1F/1F	V Slope	
06	VAP	ID	50/60Hz	2A/2A	1C/1B	V Amplitude	
07	SCR	20	50/60Hz	15/15	16/16	S Correction	
08	VSF	20	50/60Hz	23/23	10/10	V Shift	
09	RDR	25			28	R Drive	
0A	GDR	20				G Drive	
0B	BDR	20				B Drive	
0C	F0	00	TV/Video/Teletext	00/00/00	00/00/00	ø1 Time Constant	
0D	AGC	06	TV/Video/Teletext	28/28/28	28/28/28	AGC Take Over	
0E	VSW	0	TV/Video/Teletext	0/1/0	0/1/0	Video Mute Switch	
0F	FOR	00		03	03	Forced field Frequency	
10	DL	0				De-interlace	
11	POC	0				Fixed ø 1 Synchro. mode	
12	COR	0	TV/Video/Teletext	01/00/00	01/00/00	Noise Coring	
13	VPX	00				Extra Bits (see below)	
14	PMX	27	TV/Video/Teletext	20/20/20	2B/2B/2B	Picture Maximum Data	
15	PMI	05		04	04	Picture Minimum Data	
16	SBR	4B				Sub Brightness	
17	SHU	07				Sub Hue	
18	SSH	01	TV/Video	01/03	01/03	Sub Sharpness	
19	SC1	1F	50/60Hz	26/29	26/29	Sub Color Lower	
1A	SC2	0B	50/60Hz	0C/0D	0C/0D	Sub Color Higher	
1B	AIP	40		3F	3F	Adjustment IF-PLL	
1C	VZM	20		19	19	Vertical Zoom	
1D	WST	15				W/G Stereo Threshold	
1E	WBT	EA				W/G Bilingual Threshold	
1F	WLL	05				W/G Monaural Threshold	
20	ACG	1				AGC Switch auto/constant	
21	CDB	28				AGC Gain at Constant Mode	
22	FGP	1B				FM Prescale for B/G.I.D/K	
23	FMP	32				FM Prescale for M	
24	FMH	36				FM Prescale for HDEV Mode	
25	FMM	65				FM Prescale for HDEV Mode	
26	WGP	2A				W/G Prescale	
27	NIP	6D				NICAM Prescale	
28	SCP	3B				SCART Input Prescale	
29	SCV	2A				SCART Output Prescale	
2A	CRM	0				Carrier Muting on/off	
2B	ACO	1				Audio Clock-out on/off	
2C	WAC	00				W/G Agreement Count	
2D	NFT	50				Auto FM Switch Threshold	
2E	DLG	30				W/G Search Delay	
2F	DLN	20				NICAM Search Delay	
30	DLS	10				Stereo Status Read Delay	
31	SMX	73				DFP Volume Maximum	
32	ING	00	M System/non-M/Video			Input Fain	
33	VOM	01	M System only			Volume Output Gain	
34	TXH	01				Teletext Horizontal Position	
35	BKP	00				Picture Data at Blanking OFF	
36	ODL	10				Power ON Delay	
37	OFR	00				RGB Output Time (STBY OFF)	
38	OFM	00				RGB Output Time (AC OFF)	

Item No.	Adj Item	Initial Data	Note for Different Data	Standard Data (KV-G14L2J)	Standard Data (KV-G21M2J)	Function	Device
39	OSH	0A				OSD H Position	
3A	DKS	1		0	0	D/K Stereo enable/disable	
3B	MUT	0				Muting on/off at No Sync	
3C	ABL	0				Bright ABL Switch	
3D	SCM	0				SECAM Trap active/inactive	
3E	FBT	1				FBT L/S C/M strict/plain	
3F	OP0	2F		28		Optional Flags 0 (see below)	
40	OP1	0F		0F		Optional Flags 1 (see below)	
41	OP2	00		00		Optional Flags 2 (see below)	

NOTE

- Note for Different Data Those are the standard data values written on the microprocessor. Therefore, the data values of the modes are stored respectively in the memory.
 In case of a device replacement, adjustment by rewriting the data value is necessary for some items.
- 50 50 Hz data
- 60 60 Hz data
- Note for Different Data listed on the adjustment item table are reference values, therefore it is different for every model.

Option Note

13. VPX	bit 7	bit 6	bit 5	bit 4	bit 3	bit 2	bit 1	bit 0
Item	HCO	EVG	SBL	PRD	–	–	–	VID
Initial data	0	0	0	0	0	0	0	0

HCO EHT Tracking Mode 1 = on V and E–W, 0 = only on V 0A (7)
 EVG Enable Vertical Guard 1 = enable, 0 = disable 0A (6)
 SBL Service Blanking 1 = active, 0 = inactive 0B (7)
 PRD Over-voltage Protection Detection 1 = enable, 0 = disable 0B (6)
 VID Video Ident Mode 1 = not for ø1-loop, 0 = for ø1-loop 09 (7)

3A. OP0	bit 7	bit 6	bit 5	bit 4	bit 3	bit 2	bit 1	bit 0
Item	No TOP	AV input		AVMUT	B/G	I	D/K	M
Initial data	0	1	0	0	1	1	1	1

AV Input 0 0 no AV input model 0 1 1 AV input model
 1 0 2 AV input model 1 1 2 AV input and RGB input model
 No TOP (for teletext model) 1 = only FLOF available, 0 = both FLOF and TOP available
 AV MUT 1 = AV multi is always muted if no signal input, 0 = not muted always
 Other optional bits are effective if set to 1.

3B. OP1	bit 7	bit 6	bit 5	bit 4	bit 3	bit 2	bit 1	bit 0
Item	–	–	HDEV	1 V-Curve	XTAL SEL		SECAM	2nd Lang.
Initial data	0	0	0	0	1	1	1	1

XTAL SEL 0 0 only 4.43 XTAL 0 1 only 3.58 XTAL
 1 0 (not used) 1 1 both 4.43 and 3.58 XTAL
 1 V-Curve (for monaural model)
 1 = using common volume curve for every mode and every TV system
 0 = another volume curve available for video mode and M system
 HDEV 1 = High Deviation Mode switch available, 0 = not available
 Other optional bits are effective if set to 1.

3C. OP2	bit 7	bit 6	bit 5	bit 4	bit 3	bit 2	bit 1	bit 0
Item	–	–	No Bal.	TV Out	Hotel	VM	D.B.F.B.	Thai Bil.
Initial data	0	0	0	0	0	0	0	0

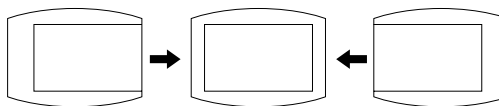
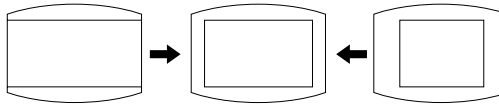
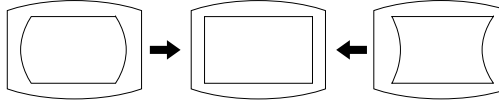
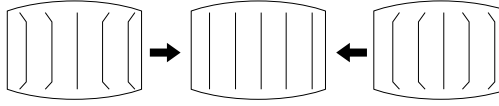
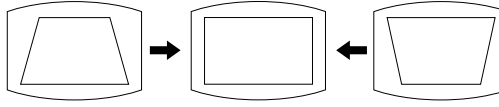
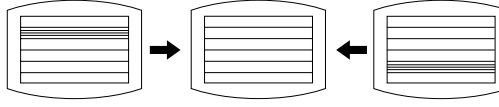
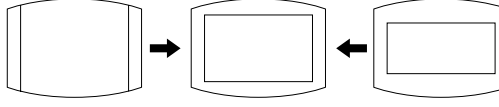
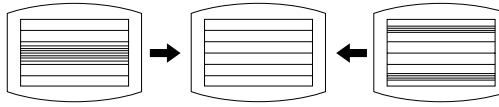
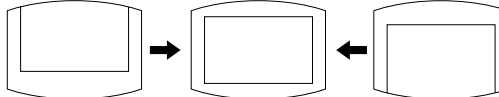
No Bal. (for AV stereo model) 1 = no balance in analog select items, 0 = balance included
 Other optional bits are effective if set to 1.
 Hotel TV mode should be switched with remote commander from STBY condition as below.
 Hotel TV on : push “display”, “8”, “vol +” and “power” sequentially
 Hotel TV off : push “display”, “8”, “vol –” and “power” sequentially

5-3. A BOARD ADJUSTMENT AFTER IC003 (MEMORY) REPLACEMENT

1. Enter to Service Mode.
2. Press commander buttons **5** and **0** (Data Initialize), and **2** and **0** (Data Copy) to initialize the data.
3. Call each item number, and check if the respective screen shows the normal picture.
In case some items are not well-adjusted, give them fine adjustment.
Write the data per each item number (**MUTING** + **0**).
4. Select item numbers "3E" (OP0), "3F" (OP1) and "40" (OP2) and respectively set the bit per model with command buttons **3** and **6**.
5. Press commander buttons **8** and **0** (Test Normal) to return to the data that was set on the shipment from the factory.
(= Cancel Service Mode.)

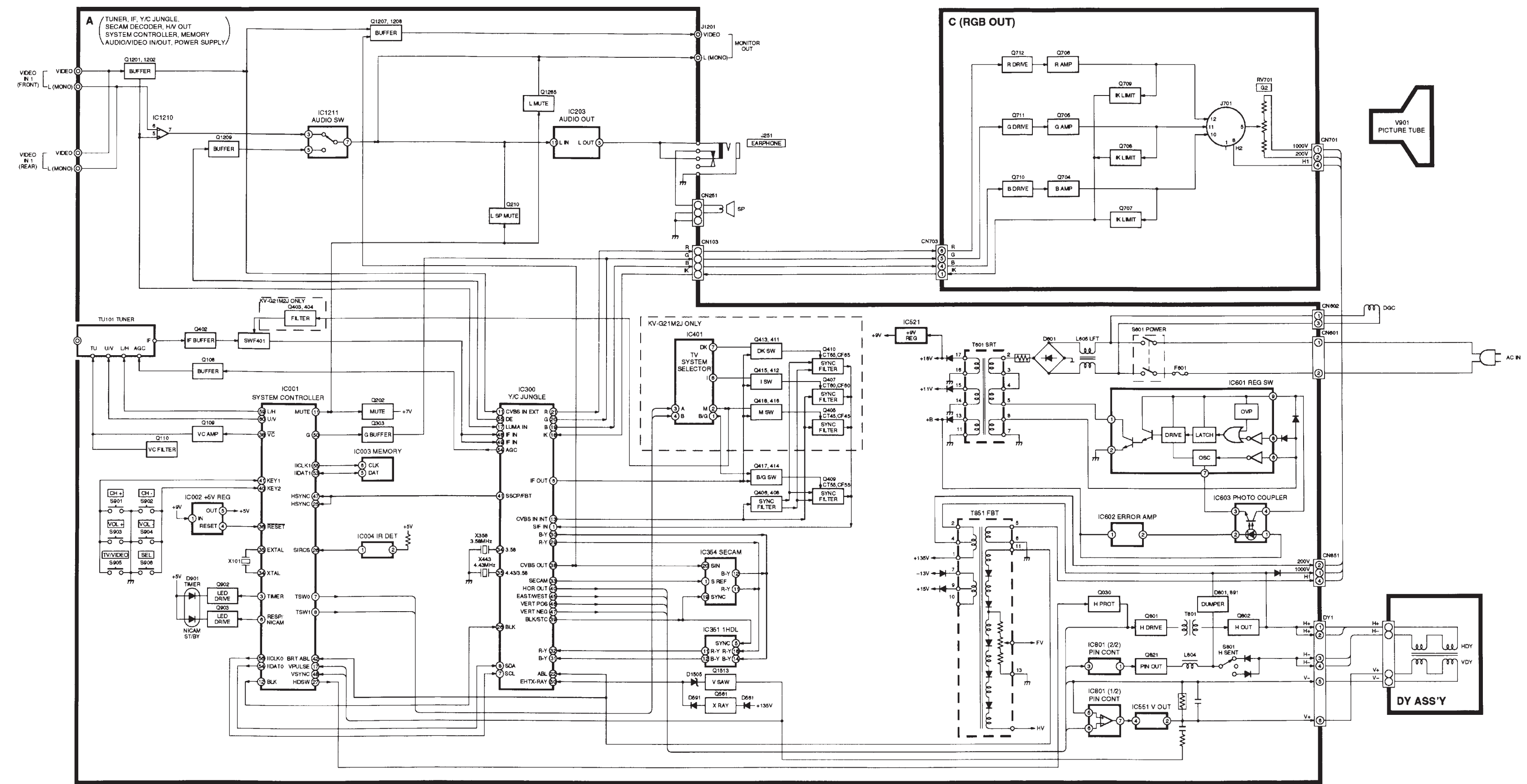
5-4. PICTURE DISTORTION ADJUSTMENT

Item Number 00 – 08

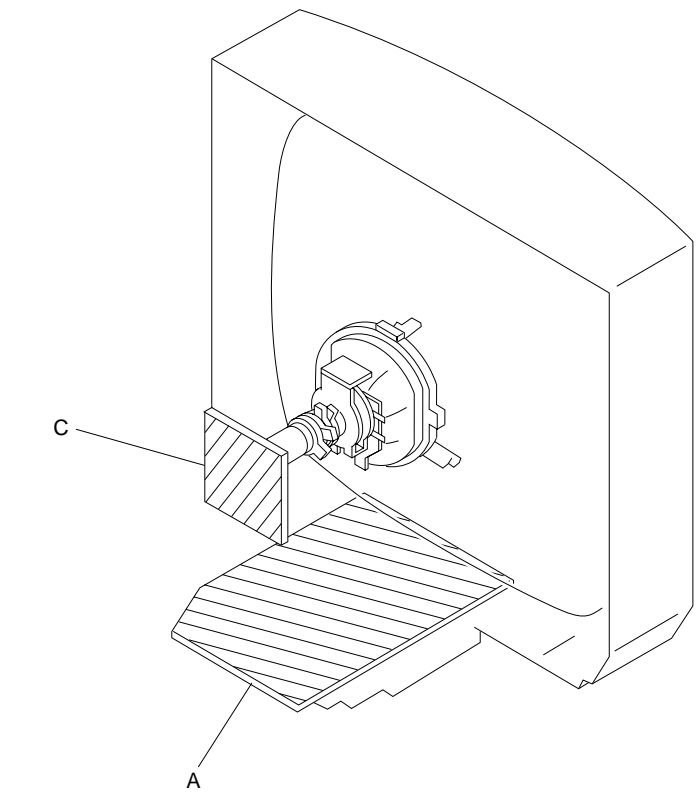
- 00 HSF (H SHIFT)

- 01 HSZ (H SIZE)

- 02 PAP (PIN AMPLITUDE)

- 03 CNP (CORNER PIN)

- 04 TLT (TILT)

- 05 VSL (V SLOPE)

- 06 VAP (V AMPLITUDE)

- 07 SCR (S CORRECTION)

- 08 VSF (V SHIFT)


SECTION 6
DIAGRAMS

6-1. BLOCK DIAGRAM



6-2. CIRCUIT BOARDS LOCATION



6-3. SCHEMATIC DIAGRAMS AND PRINTED WIRING BOARDS

- Note:**
- All capacitors are in μF unless otherwise noted.
 - All electrolytic capacitors are rated at 50V unless otherwise noted.
 - All resistors are in ohms.
 - k Ω = 1000 Ω , M Ω = 1000k Ω
 - Indication of resistance, which does not have one for rating electrical power, is as follows.
 - Pitch: 5 mm
 - Rating electrical power 1/4W (CHIP: 1/10W)
 - : nonflammable resistor.
 - : internal component.
 - : panel designation, or adjustment for repair.
 - All variable and adjustable resistors have characteristic curve B, unless otherwise noted.
 - Readings are taken with a color-bar signal input.
 - no mark : PAL
 - () : SECAM
 - [] : NTSC 3.58
 - [] : NTSC 4.43
 - Readings are taken with a 10 M Ω digital multimeter.
 - Voltage are dc with respect to ground unless otherwise noted.
 - Voltage variations may be noted due to normal production tolerances.
 - All voltages are in V.
 - * : Can not be measured.
 - Circled numbers are waveform reference.
 - : B + bus.
 - : B - bus.
 - : signal path.

Reference information

RESISTOR	: RN	METAL FILM
	: RC	SOLID
	: FPRD	NONFRAMMABLE CARBON
	: FUSE	NONFLAMMABLE FUSIBLE
	: RS	NONFLAMMABLE METAL OXIDE
	: RB	NONFLAMMABLE CEMENT
	: RW	NONFLAMMABLE WIREWOUND
	: *	ADJUSTMENT RESISTOR
COIL	: LF-8L	MICRO INDUCTOR
CAPACITOR	: TA	TANTALUM
	: PS	STYROL
	: PP	POLYPROPYLENE
	: PT	MYLAR
	: MPS	METALIZED POLYESTER
	: MPP	METALIZED POLYPROPYLENE
	: ALB	BIPOLAR
	: ALT	HIGH TEMPERATURE
	: ALR	HIGH RIPPLE

Note:The component identified by shading and mark Δ are critical for safety. Replace only with part number specified.

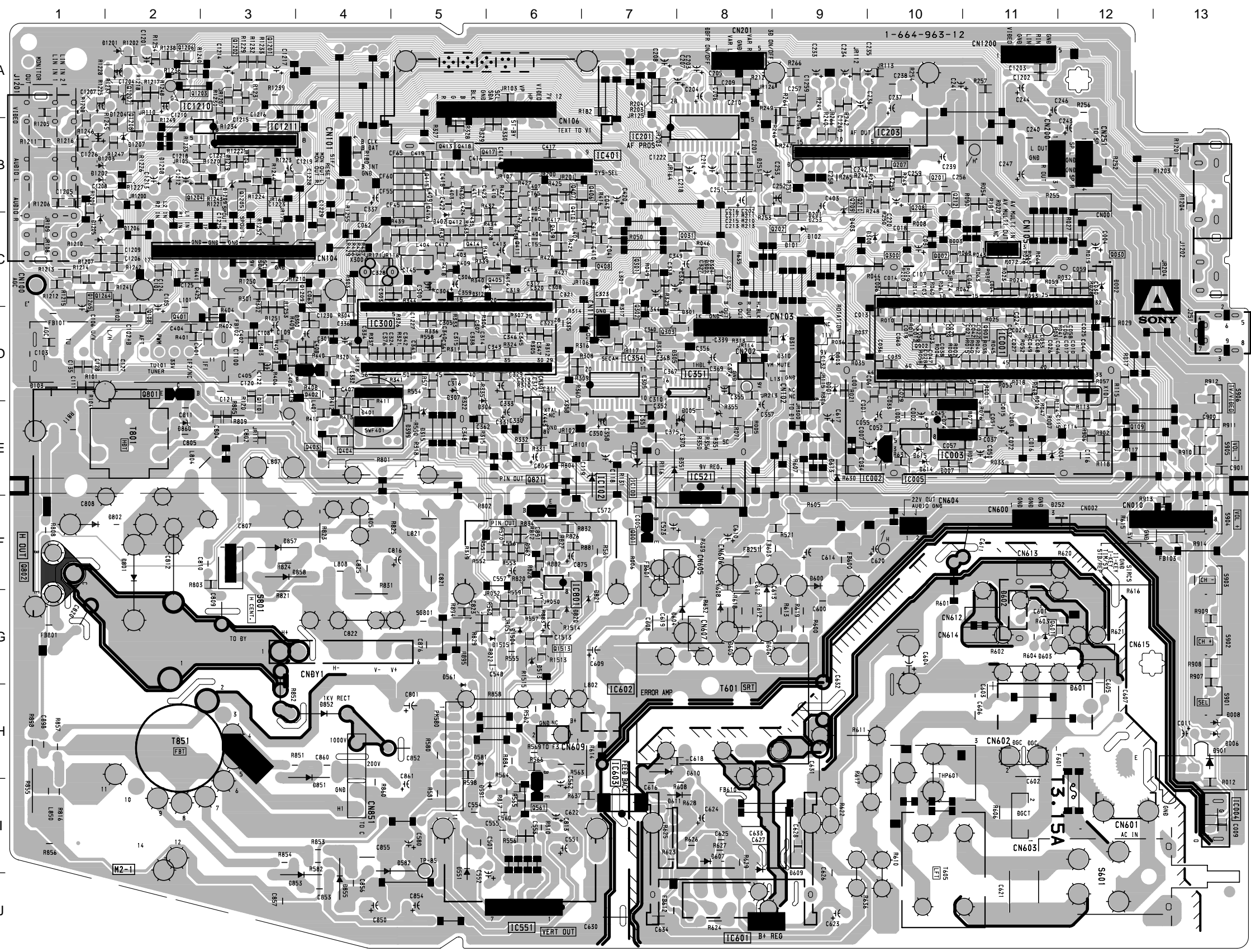
PRINTED WIRING BOARD

A [TUNER, IF, Y/C, JUNGLE, SECAM DECODER, H/V OUT, MEMORY, SYSTEM CONTROLLER, AUDIO/VIDEO IN/OUT, POWER SUPPLY]

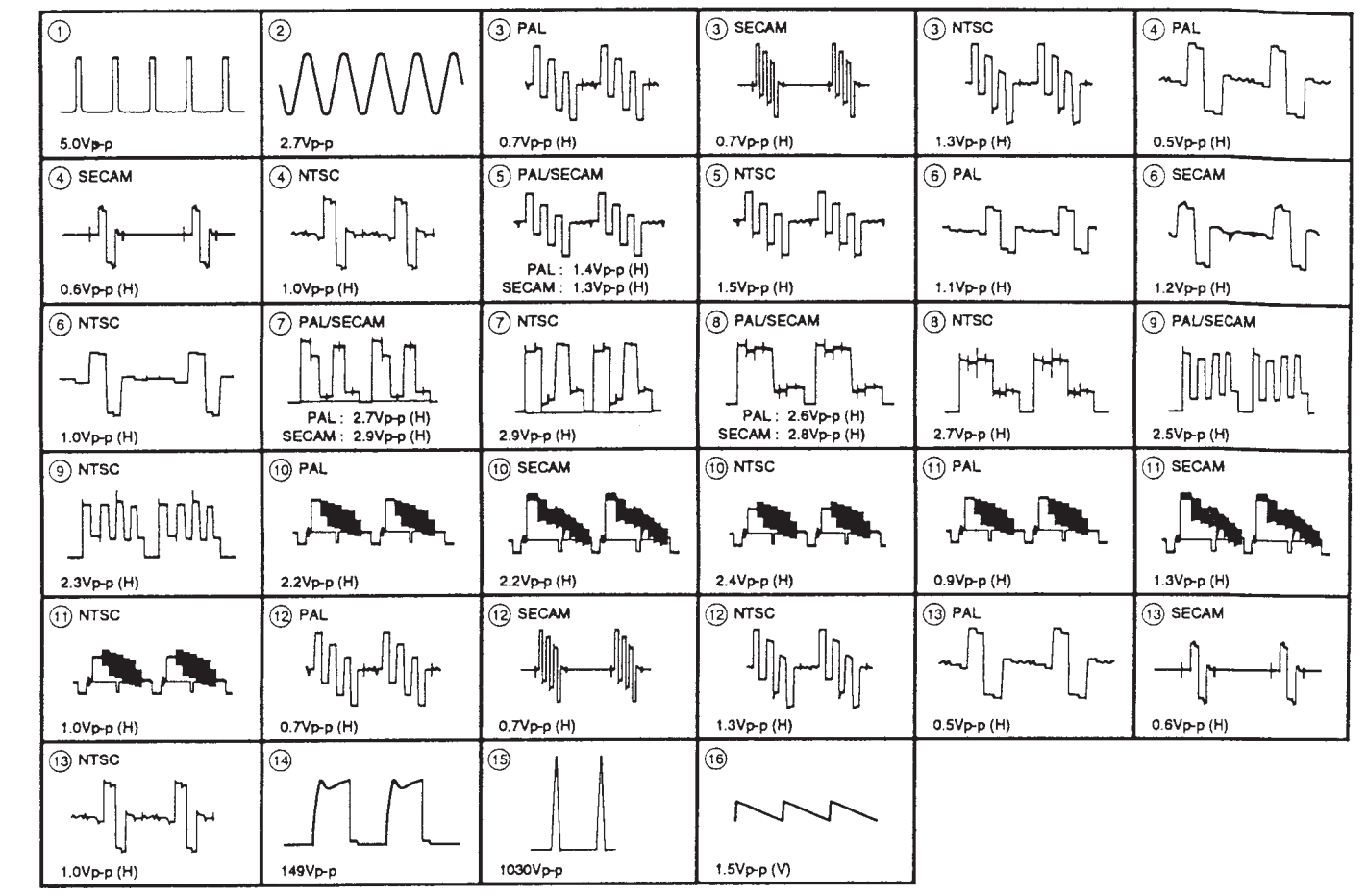
A BOARD

IC		DIODE	
IC001	D-11	D001	D-9
IC002	E-10	D002	C-12
IC003	E-10	D003	C-10
IC004	I-13	D005	E-8
IC100	E-7	D008	H-13
IC203	B-10	D103	D-1
IC300	D-4	D201	B-9
IC351	D-8	D251	B-8
IC354	D-7	D252	F-12
IC401	B-7	D523	C-9
IC521	E-8	D300	D-4
IC551	J-6	D301	D-8
IC601	J-8	D302	C-8
IC602	H-7	D304	C-8
IC603	H-7	D305	D-8
IC801	F-6	D306	E-6
IC1210	A-2	D307	D-5
IC1211	B-3	D308	C-10
		D310	D-9
		D311	D-9
		D312	C-6
		D315	E-5
		D351	E-8
		D399	E-5
		D401	E-4
		D402	C-5
		D403	C-9
		D513	G-6
		D551	I-5
		D561	G-5
		D691	I-6
		D601	H-12
		D604	G-8
		D606	G-9
		D607	I-8
		D609	I-9
		D610	H-8
		D611	I-8
		D613	E-9
		D801	F-2
		D802	F-2
		D851	H-4
		D852	H-4
		D853	I-3
		D855	J-4
		D857	F-3
		D858	F-4
		D860	E-2
		D901	H-13
		D1201	A-2
		D1202	B-1
		D1207	B-2
		D1208	B2
		D1504	G-6
		D1505	G-6

TRANSISTOR	
Q030	C-12
Q108	D-2
Q109	E-12
Q110	E-3
Q202	C-9
Q207	B-10
Q208	B-10
Q210	B-10
Q301	C-7
Q303	D-8
Q402	D-4
Q403	E-4
Q404	E-4
Q405	C-6
Q407	B-6
Q408	C-7
Q408	C-6
Q410	C-6
Q411	C-6
Q412	C-5
Q413	B-5
Q414	C-5
Q415	B-5
Q416	C-5
Q417	B-6
Q418	B-5
Q561	I-6
Q801	D-2
Q802	F-1
Q821	E-6
Q902	D-10
Q903	D-11
Q1201	A-3
Q1202	A-3
Q1204	A-2
Q1207	A-2
Q1208	B-2
Q1209	C-4
Q1265	C-1
Q1513	G-6

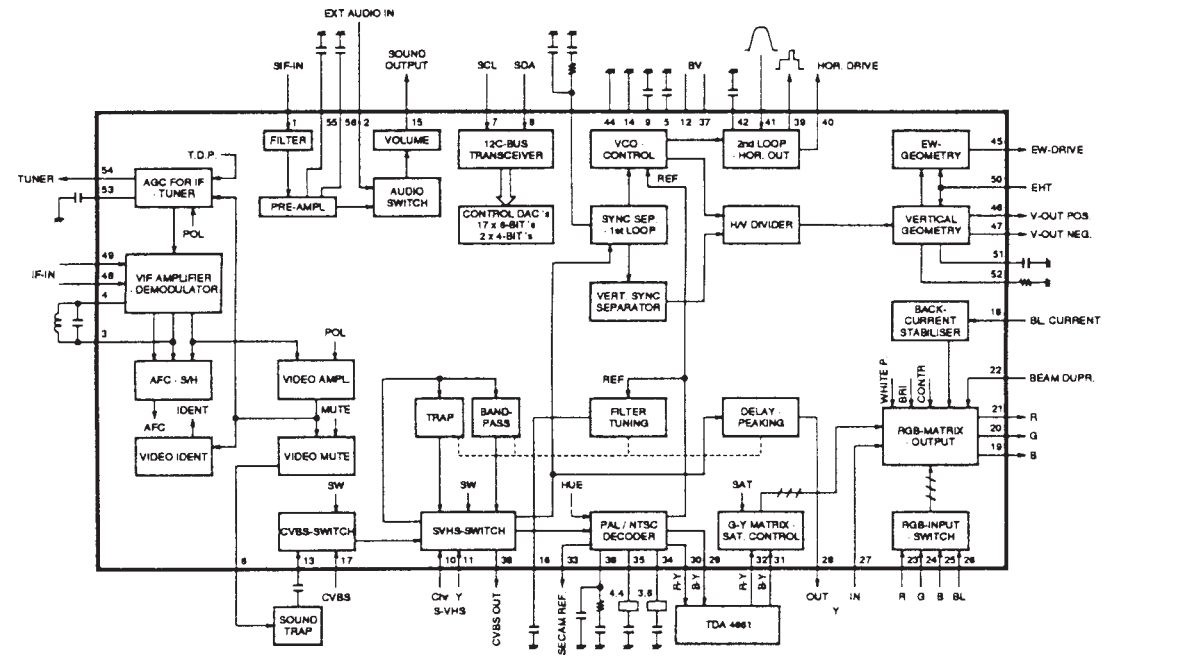


A BOARD WAVEFORMS

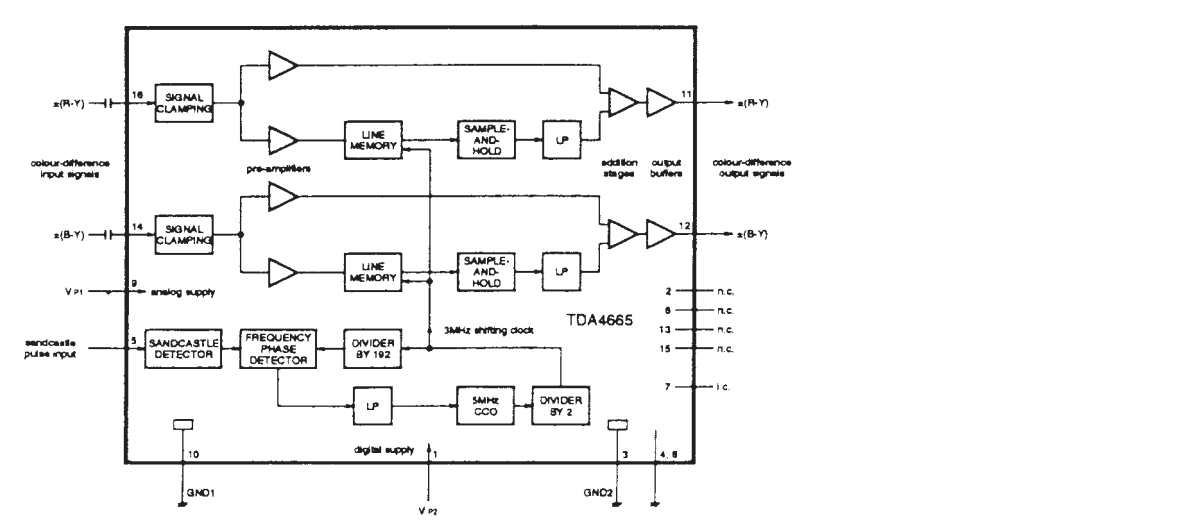


NOTE:
The circuit indicated as left contains high voltage of over 600 Vp-p. Please pay attention while inspecting or repairing it to prevent an electric shock.

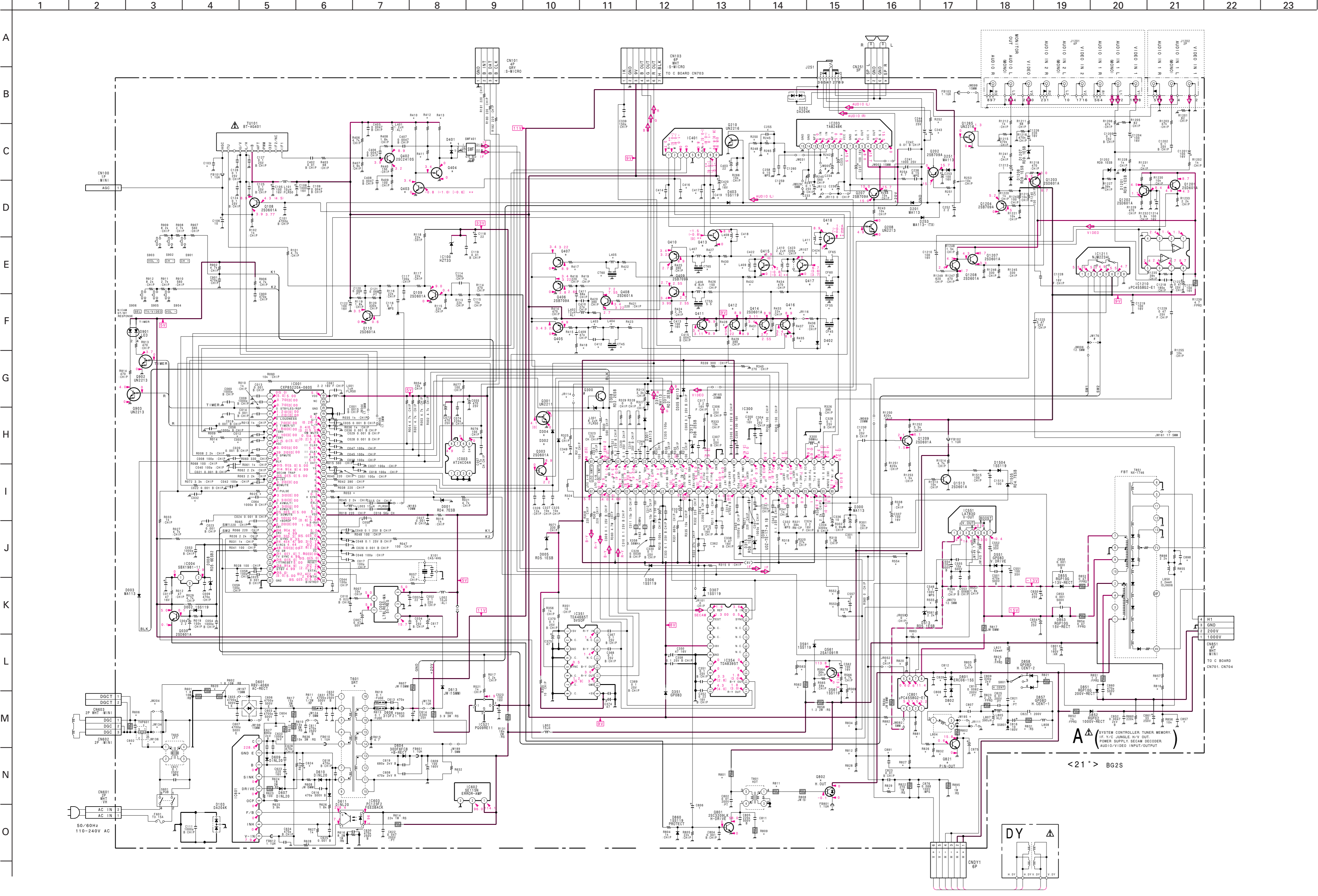
A BOARD IC300 TDA8375A



A BOARD IC351 TDA4655-T



(1) Schematic Diagram of A Board



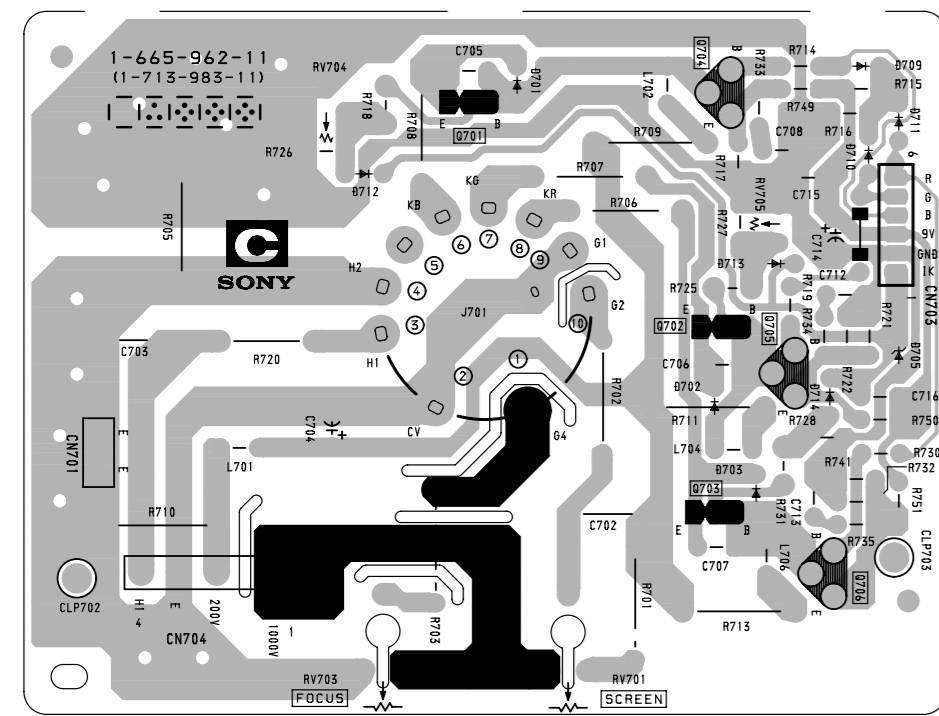
A BOARD * MARK LIST

Q003	#	KV-G14L2J	KV-G21M2J	Q412	#	KV-G14L2J	KV-G21M2J
C012	#	100p 50V F : CHIP	Q413	#	2SD601A		
C032	#	0.01 50V F : CHIP	Q415	#	UN2216-TX		
C113	#	2SD601A	Q416	#	2SD601A		
C230	#	22 50V	Q417	#	UN2216-TX		
C234	#	10 50V	Q418	#	UN2216-TX		
C235	#	47 16V	Q802	#	2SD1877-CA		
C236	#	220 25V	Q821	#	2SD601A		
C243	#	22 50V	R009	#	1k : CHIP		
C255	#	0.01 50V B : CHIP	R014	#	1k : CHIP		
C349	#	4.7 50V	R025	#	0 : CHIP		
C362	#	22p 50V CH : CHIP	R053	#	0 : CHIP		
C409	#	47p 50V : CHIP	R242	#	330 : CHIP		
C412	#	68p 50V : CHIP	R245	#	5.6k : CHIP		
C414	#	100p 50V : CHIP	R248	#	8.2k : CHIP		
C416	#	100p 50V : CHIP	R250	#	8.2k : CHIP		
C417	#	100p 50V : CHIP	R251	#	1k : CHIP		
C418	#	330p 50V : CHIP	R252	#	220 1/4W		
C419	#	100p 50V : CHIP	R265	#	3.3k : CHIP		
C422	#	330p 50V : CHIP	R305	#	220 : CHIP		
C424	#	47p 50V : CHIP	R306	#	220 : CHIP		
C602	#	0.0047 500V E	R307	#	220 : CHIP		
C604	#	220 400V	R313	#	1.5k : CHIP		
C617	#	220 25V	R318	#	100k : CHIP		
C624	#	47p 16V	R324	#	3.3M : CHIP		
C807	#	1.2 200V	R410	#	10k : CHIP		
C808	#	JW 15.0MM	R411	#	2.2k : CHIP		
C811	#	0.0022 500V B	R412	#	2.2k : CHIP		
C812	#	0.008 2kV : PP	R413	#	2.2k : CHIP		
C820	#	680p 2kV B	R415	#	220 : CHIP		
C821	#	0.039 200V : PT	R417	#	220 : CHIP		
C822	#	0.27 200V	R418	#	680 : CHIP		
C867	#	0.068 50V : MPS	R423	#	120 : CHIP		
C875	#	47 100V	R423	#	150 : CHIP		
C891	#	680p 50V B : CHIP	R427	#	330 : CHIP		
C898	#	0.033 100V : PT	R428	#	22k : CHIP		
C1260	#	0.0068 50V : CHIP	R430	#	470 : CHIP		
CF45	#	4.5MHZ	R431	#	22k : CHIP		
CF60	#	6.0MHZ	R432	#	470 : CHIP		
CF65	#	6.5MHZ	R435	#	470 : CHIP		
CT45	#	4.5MHZ	R436	#	22k : CHIP		
CT60	#	6.0MHZ	R437	#	22k : CHIP		
CT65	#	6.5MHZ	R552	#	150k : CHIP		
D302	#	MA113	R553	#	22k : CHIP		
D304	#	MA113	R554	#	0.001 50V B : CHIP		
D311	#	RD3.6ES-T1B	R565	#	6.8k 1/4W		
D401	#	MA77-TX	R562	#	1.2k 1/4W : FPRD		
D402	#	1S119-25TD	R563	#	180k 1/2W		
D802	#	ERD29-08J	R569	#	150k 1/2W		
IC300	#	TDA8374A	R570	#	0 : CHIP		
IC401	#	LA7910	R601	#	1.8 10W		
IC601	#	STR-S6707	R602	#	1.8 10W		
JR107	#	0 : CHIP	R606	#	470 3W : RS		
JR111	#	0 : CHIP	R620	#	3.3 10W : RS		
JR114	#	4.7M : CHIP	R622	#	0.33 2W : WW		
JR115	#	0 : CHIP	R629	#	47 1/4W		
JR116	#	0 : CHIP	R801	#	4.7k 3W : RS		
JR124	#	0 : CHIP	R802	#	2.2 1/4W : FPRD		
JR125	#	0 : CHIP	R809	#	8.2k 1/2W : FPRD		
JR126	#	0 : CHIP	R811	#	1.2 1W : RS		
JW031	#	5.0MM	R812	#	12k : CHIP		
JW134	#	7.5MM	R816	#	47k 1/4W		
JW136	#	7.5MM	R820	#	1.5k : RN-CP		
JW195	#	7.5MM	R821	#	120 3W : RS		
JW204	#	10.0MM	R823	#	1k 1W : FPRD		
L131	#	JW 5.0MM	R824	#	330 2W		
L403	#	12uH	R826	#	2.7k : CHIP		
L404	#	8.2uH	R827	#	82k : CHIP		
L405	#	8.2uH	R828	#	3.9k : CHIP		
L407	#	15uH : ALI	R829	#	1k 1/10W : CHIP		
L408	#	1.8uH	R831	#	150 2W : RS		
L409	#	2.2uH	R832	#	2.2k : CHIP		
L411	#	2.7uH	R834	#	4.7k : CHIP		
L804	#	3.3mmH	R855	#	4.7k 1/2W : RS		
L805	#	1-460-046-11	R857	#	82k 1/4W		
L807	#	1-459-348-61	R881	#	560 : CHIP		
L808	#	3.3mmH	R882	#	2.7k : CHIP		
Q403	#	UN2216-TX	R883	#	75 1/10W		
Q404	#	UN2216-TX	S693	#	1-767-663-11		
Q405	#	2SB709A	T601	#	1-429-138-11 (SRT)		
Q407	#	2SB709A	T851	#	FBT NX-1733		
Q410	#	2SB709A	T851	#	FBT NX-1746		
Q411	#	2SD601A	THP601	#	1-806-165-12		
					1-808-059-32		

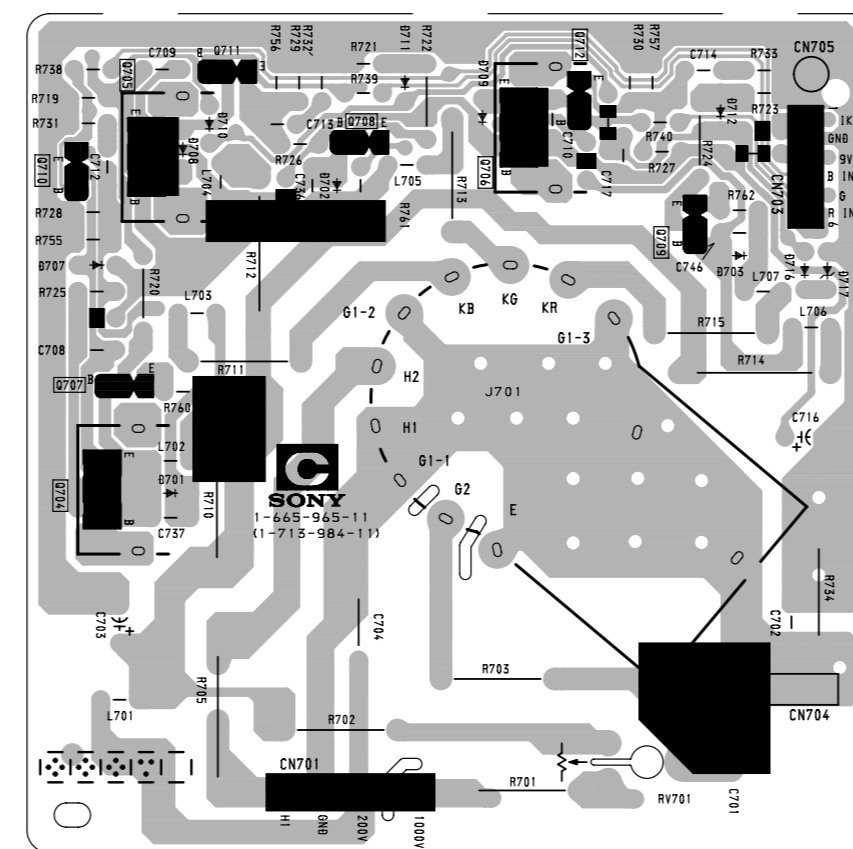
Mark : not mounted

C [RGB OUT]

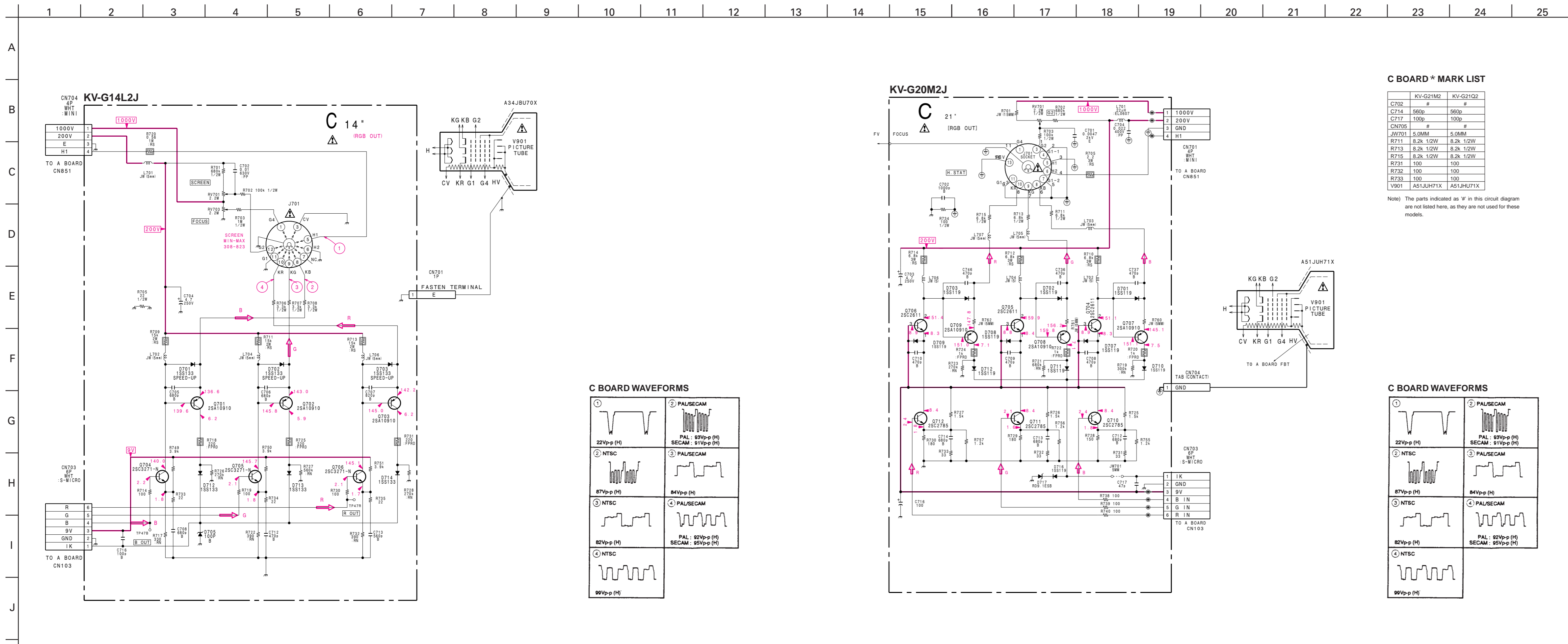
KV-G14L2J



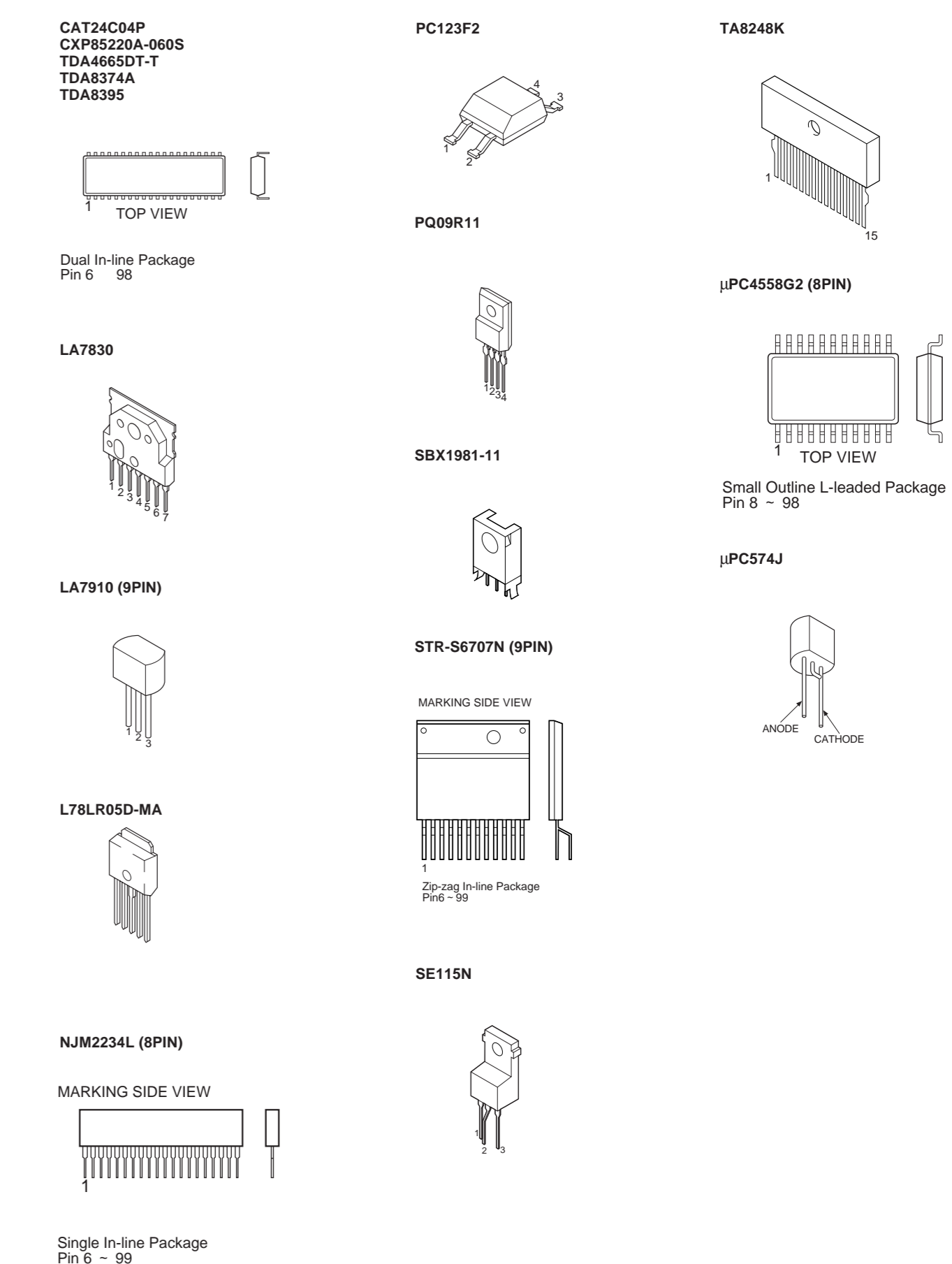
KV-G20M2J



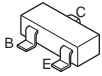
(2) Schematic Diagram of C Board



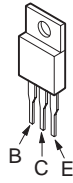
6-4. SEMICONDUCTORS



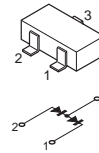
UN2211
UN2213
UN2216
2SA1162-G
2SD601A-Q



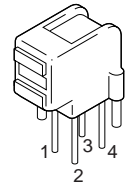
2SD1877-CA



DA204K



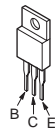
LN021616PH



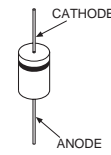
2SA1091-O



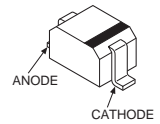
2SD2012



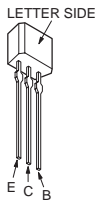
D1NL20
EL1Z
GP08D
RGP02-17EL-6433



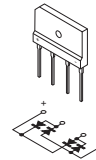
MA113-(TX)



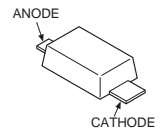
2SA1175-HFE
2SC2410SN
2SC2785-HFE



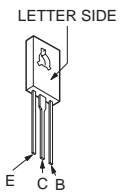
D4SB60L



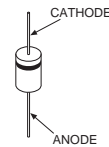
MA77



2SC2611

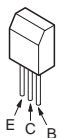


ERC06-15S
S3L20UF4

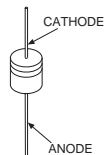
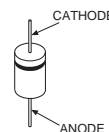


RD.2.2ES-B2
RD.4.7ESB2
RD.5.1ES-B1
RD5.6ESB2
RD8.2ES-B2
RD9.1ES-L
1SS119-25

2SC3209LK



ERD29-08J
RU4DS
ZSML-9.1B-T1



SECTION 7 EXPLODED VIEWS

NOTE:

- Items with no part number and no description are not stocked because they are seldom required for routine service.

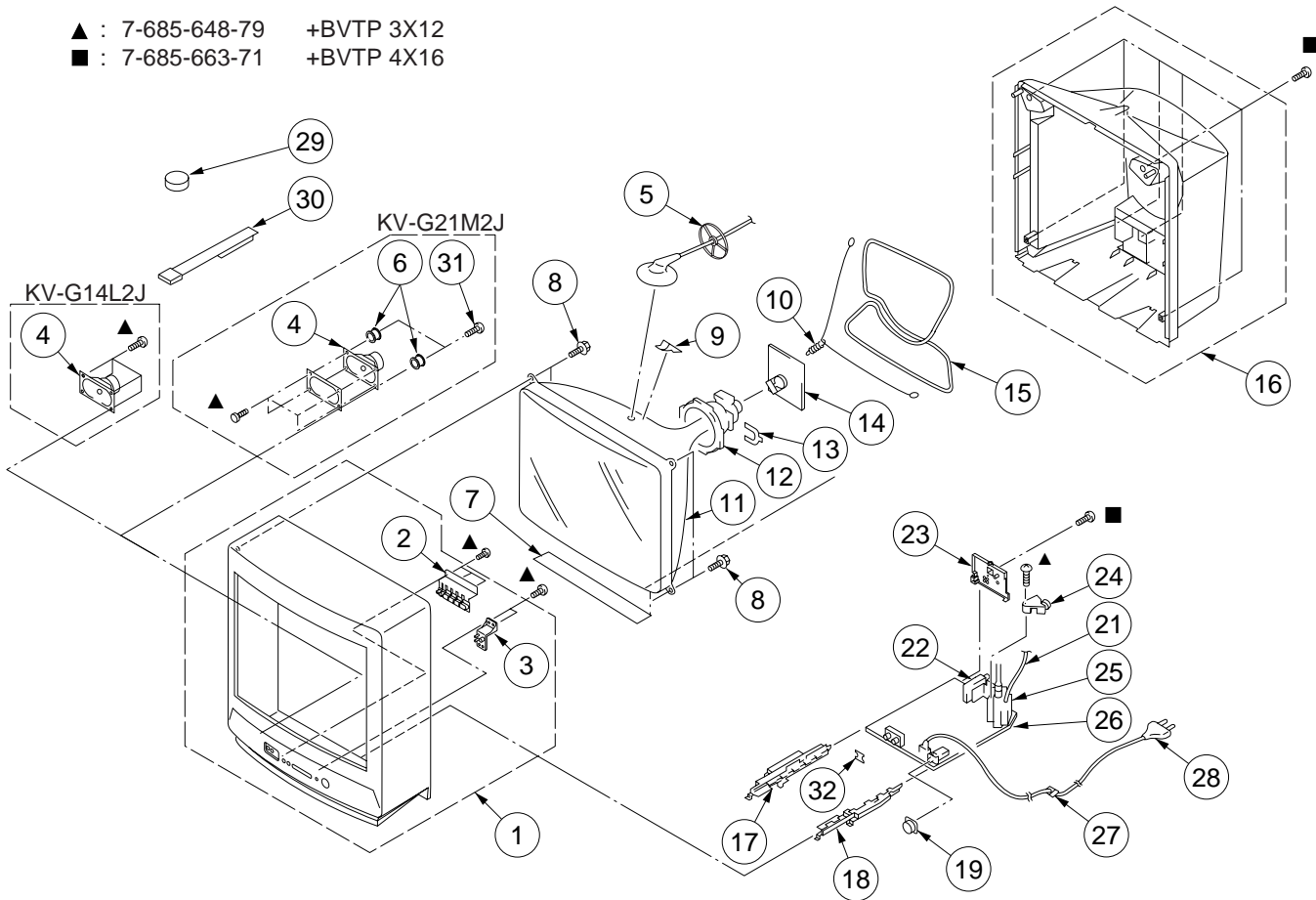
- The construction parts of an assembled part are indicated with a collation number in the remark column.

- Items marked " * " are not stocked since they are seldom required for routine service. Some delay should be anticipated when ordering these items.

The components identified by shading and mark Δ are critical for safety. Replace only with part number specified.

7-1. CHASSIS

- \blacktriangle : 7-685-648-79 +BVTP 3X12
- \blacksquare : 7-685-663-71 +BVTP 4X16



REF. NO.	PART NO.	DESCRIPTION	REMARK	REF. NO.	PART NO.	DESCRIPTION	REMARK
1	X-4035-128-2	BEZNET ASSY (G21M2J)	2,3	15	Δ 1-426-145-00	COIL, DEGAUSSING (G14L2J)	
	X-4035-129-1	BEZNET ASSY (G14L2J)	2,3	16	Δ 4-056-185-01	COVER, REAR (G14L2J)	
2	4-056-187-01	BUTTON, MULTI (G14L2J)			Δ 4-059-720-01	COVER, REAR (G21M2J)	
	4-059-721-01	BUTTON, MULTI (G21M2J)		17	* 4-055-841-01	RAIL (L), GUIDE	
3	4-056-188-01	PLATE, LIGHT GUIDE (G14L2J)		18	* 4-055-840-01	RAIL (R), GUIDE	
	4-059-714-01	PLATE, LIGHT GUIDE (G21M2J)		19	4-056-186-01	BUTTON, POWER	
4	1-505-547-11	SPEAKER (5X9CM) (G14L2J)		20	4-062-562-02	CUSHION, SPEAKER (G21M2J)	
	1-505-740-11	SPEAKER (5X9CM) (G21M2J)		21	1-900-212-58	LEAD ASSY, FOCUS (G21M2J)	
5	3-704-372-01	HOLDER, HV CABLE		22	Δ 8-598-323-30	TUNER (BT-AG401)	
6	3-947-764-11	CUSHION, SPEAKER (G21M2J)		23	4-059-710-01	BRACKET, TERMINAL BOARD	
				24	* 4-059-711-02	HOLDER, FBT	
7	4-372-556-11	SHEET, BLOTTING (G14L2J)		25	Δ 1-453-249-11	TRANSFORMER ASSY, FLYBACK (NX-1733//M3A) (G14L2J)	
	4-385-725-01	SHEET, BLOTTING (G21M2J)			Δ 1-453-250-11	TRANSFORMER ASSY, FLYBACK (NX-1746//M3A) (G21M2J)	
8	4-365-808-01	SCREW (5), TAPPING		26	* A-1298-341-A	A BOARD, COMPLETE (G21M2J)	
9	4-046-600-01	SPACER, DY			* A-1298-342-A	A BOARD, COMPLETE (G14L2J)	
10	4-369-318-01	SPRING, TENSION		27	Δ 4-022-115-01	HOLDER, AC CORD	
				28	Δ 1-574-062-61	CORD, POWER (WITH CONNECTOR) 2.5A/250V	
11	Δ 8-735-562-05	PICTURE TUBE (A34JBU70X) (G14L2J)					
	Δ 8-738-774-05	PICTURE TUBE (A51JUH71X) (G21M2J)		29	1-452-032-00	MAGNET, DISK ; 10mm ϕ	
12	Δ 8-451-280-33	DEFLECTION YOKE (Y21PXA2) (G21M2J)		30	4-051-736-21	PIECE A(90), CONV. CORRECT	
	Δ 8-451-481-21	DEFLECTION YOKE (Y14NDA2) (G14L2J)		31	4-384-096-01	SCREW (4X16), TAPPING, +P (G21M2J)	
13	1-452-277-00	MAGNET, BMC		32	4-063-543-01	SPACER	
14	* A-1331-748-A	C BOARD, COMPLETE (G21M2J)					
	* A-1331-749-A	C BOARD, COMPLETE (G14L2J)					
15	Δ 1-409-942-11	COIL, DEMAGNETIZATION (G21M2J)					

SECTION 8
ELECTRICAL PARTS LIST

A

NOTE:

The components identified by shading and mark Δ are critical for safety.
Replace only with part number specified.

- The components identified by \blacktriangle in this manual have been carefully factory-selected for each set in order to satisfy regulations regarding X-ray radiation. Should replacement be required, replace only with the value originally used.
- Items marked " * " are not stocked since they are seldom required for routine service. Some delay should be anticipated when ordering these items.
- All variable and adjustable resistors have characteristic curve B, unless otherwise noted.

RESISTORS

- All resistors are in ohms
- F : nonflammable

When indicating parts by reference number, please include the board name.

• CAPACITORS

PF : $\mu\mu$ F

- There are some cases the reference number on one board overlaps on the other board. Therefore, when ordering parts by the reference number, please include the board name.

REF. NO.	PART NO.	DESCRIPTION	REMARK	REF. NO.	PART NO.	DESCRIPTION	REMARK
* A-1298-342-A	A BOARD, COMPLETE (KV-G14L2J) *****			C056	1-163-009-11	CERAMIC CHIP 0.001MF	10% 50V
				C057	1-163-243-11	CERAMIC CHIP 47PF	5% 50V
				C058	1-163-117-00	CERAMIC CHIP 100PF	5% 50V
				C059	1-163-117-00	CERAMIC CHIP 100PF	5% 50V
* 1-580-798-11	CONNECTOR PIN (DY) 6P			C060	1-163-009-11	CERAMIC CHIP 0.001MF	10% 50V
4-063-543-01	SPACER			C061	1-164-505-11	CERAMIC CHIP 2.2MF	16V
4-382-854-11	SCREW (M3X10), P, SW (+)			C064	1-163-009-11	CERAMIC CHIP 0.001MF	10% 50V
	<CAPACITOR>			C072	1-124-480-11	ELECT 470MF	20% 25V
C001	1-163-011-11	CERAMIC CHIP 0.0015MF	10% 50V	C074	1-163-001-11	CERAMIC CHIP 220PF	10% 50V
C002	1-126-965-11	ELECT 22MF	20% 50V	C101	1-163-029-11	CERAMIC CHIP 0.0047MF	50V
C004	1-126-961-11	ELECT 2.2MF	20% 50V	C105	1-104-665-11	ELECT 100MF	20% 16V
C006	1-163-009-11	CERAMIC CHIP 0.001MF	10% 50V	C106	1-126-964-11	ELECT 10MF	20% 50V
C007	1-126-959-11	ELECT 0.47MF	20% 50V	C108	1-126-942-61	ELECT 1000MF	20% 16V
				C109	1-163-017-00	CERAMIC CHIP 0.0047MF	10% 50V
C008	1-163-117-00	CERAMIC CHIP 100PF	5% 50V	C111	1-163-009-11	CERAMIC CHIP 0.001MF	10% 50V
C009	1-163-133-00	CERAMIC CHIP 470PF	5% 50V	C114	1-163-117-00	CERAMIC CHIP 100PF	5% 50V
C010	1-163-037-11	CERAMIC CHIP 0.022MF	10% 50V	C115	1-163-227-11	CERAMIC CHIP 10PF	0.5PF 50V
C011	1-126-967-11	ELECT 47MF	20% 16V	C116	1-136-165-00	FILM 0.1MF	5% 50V
C013	1-163-009-11	CERAMIC CHIP 0.001MF	10% 50V	C117	1-163-117-00	CERAMIC CHIP 100PF	5% 50V
C014	1-163-009-11	CERAMIC CHIP 0.001MF	10% 50V	C118	1-126-965-11	ELECT 22MF	20% 50V
C015	1-101-884-00	CERAMIC 56PF	5% 50V	C119	1-164-232-11	CERAMIC CHIP 0.01MF	10% 50V
C016	1-101-884-00	CERAMIC 56PF	5% 50V	C120	1-130-493-00	MYLAR 0.068MF	5% 50V
C017	1-163-117-00	CERAMIC CHIP 100PF	5% 50V	C121	1-130-493-00	MYLAR 0.068MF	5% 50V
C018	1-163-117-00	CERAMIC CHIP 100PF	5% 50V	C122	1-104-665-11	ELECT 100MF	20% 16V
C019	1-163-009-11	CERAMIC CHIP 0.001MF	10% 50V	C124	1-164-004-11	CERAMIC CHIP 0.1MF	10% 25V
C020	1-163-009-11	CERAMIC CHIP 0.001MF	10% 50V	C125	1-164-004-11	CERAMIC CHIP 0.1MF	10% 25V
C021	1-163-009-11	CERAMIC CHIP 0.001MF	10% 50V	C127	1-164-004-11	CERAMIC CHIP 0.1MF	10% 25V
C022	1-163-009-11	CERAMIC CHIP 0.001MF	10% 50V	C128	1-164-004-11	CERAMIC CHIP 0.1MF	10% 25V
C023	1-163-009-11	CERAMIC CHIP 0.001MF	10% 50V	C234	1-126-964-11	ELECT 10MF	20% 50V
C024	1-163-009-11	CERAMIC CHIP 0.001MF	10% 50V	C235	1-126-967-11	ELECT 47MF	20% 16V
C025	1-163-009-11	CERAMIC CHIP 0.001MF	10% 50V	C236	1-104-666-11	ELECT 220MF	20% 25V
C026	1-163-009-11	CERAMIC CHIP 0.001MF	10% 50V	C237	1-104-665-11	ELECT 100MF	20% 16V
C027	1-163-009-11	CERAMIC CHIP 0.001MF	10% 50V	C238	1-136-167-00	FILM 0.15MF	5% 50V
C028	1-163-009-11	CERAMIC CHIP 0.001MF	10% 50V	C241	1-126-942-61	ELECT 1000MF	20% 25V
C029	1-163-009-11	CERAMIC CHIP 0.001MF	10% 50V	C242	1-164-232-11	CERAMIC CHIP 0.01MF	10% 50V
C032	1-163-031-11	CERAMIC CHIP 0.01MF	50V	C243	1-126-965-11	ELECT 22MF	20% 50V
C034	1-164-004-11	CERAMIC CHIP 0.1MF	10% 25V	C244	1-126-942-61	ELECT 1000MF	20% 25V
C035	1-163-009-11	CERAMIC CHIP 0.001MF	10% 50V	C252	1-126-961-11	ELECT 2.2MF	20% 50V
C036	1-163-009-11	CERAMIC CHIP 0.001MF	10% 50V	C253	1-104-665-11	ELECT 100MF	20% 16V
C037	1-163-117-00	CERAMIC CHIP 100PF	5% 50V	C255	1-164-232-11	CERAMIC CHIP 0.01MF	10% 50V
C038	1-163-117-00	CERAMIC CHIP 100PF	5% 50V	C258	1-136-167-00	FILM 0.15MF	5% 50V
C040	1-163-117-00	CERAMIC CHIP 100PF	5% 50V	C300	1-126-967-11	ELECT 47MF	20% 16V
C042	1-163-117-00	CERAMIC CHIP 100PF	5% 50V	C301	1-126-964-11	ELECT 10MF	20% 50V
C044	1-163-117-00	CERAMIC CHIP 100PF	5% 50V	C304	1-164-004-11	CERAMIC CHIP 0.1MF	10% 25V
C045	1-163-117-00	CERAMIC CHIP 100PF	5% 50V	C305	1-164-004-11	CERAMIC CHIP 0.1MF	10% 25V
C046	1-163-117-00	CERAMIC CHIP 100PF	5% 50V	C306	1-164-004-11	CERAMIC CHIP 0.1MF	10% 25V
C047	1-163-117-00	CERAMIC CHIP 100PF	5% 50V	C307	1-164-004-11	CERAMIC CHIP 0.1MF	10% 25V
C048	1-164-004-11	CERAMIC CHIP 0.1MF	10% 25V	C308	1-164-004-11	CERAMIC CHIP 0.1MF	10% 25V
C049	1-164-004-11	CERAMIC CHIP 0.1MF	10% 25V	C309	1-164-004-11	CERAMIC CHIP 0.1MF	10% 25V
C050	1-126-960-11	ELECT 1MF	20% 50V	C310	1-164-004-11	CERAMIC CHIP 0.1MF	10% 25V
C051	1-163-117-00	CERAMIC CHIP 100PF	5% 50V	C311	1-163-231-11	CERAMIC CHIP 15PF	5% 50V
C052	1-164-004-11	CERAMIC CHIP 0.1MF	10% 25V	C312	1-163-231-11	CERAMIC CHIP 15PF	5% 50V
C053	1-163-009-11	CERAMIC CHIP 0.001MF	10% 50V	C313	1-104-665-11	ELECT 100MF	20% 16V
C054	1-163-009-11	CERAMIC CHIP 0.001MF	10% 50V	C314	1-164-161-11	CERAMIC CHIP 0.0022MF	10% 50V
C055	1-124-480-11	ELECT 470MF	20% 25V				



The components identified by shading and mark **A** are critical for safety.
Replace only with part number specified.

REF. NO.	PART NO.	DESCRIPTION	REMARK
C315	1-107-823-11	CERAMIC CHIP 0.47MF 10%	16V
C316	1-102-125-00	CERAMIC 0.0047MF 10%	50V
C317	1-164-505-11	CERAMIC CHIP 2.2MF	16V
C319	1-164-004-11	CERAMIC CHIP 0.1MF 10%	25V
C320	1-164-004-11	CERAMIC CHIP 0.1MF 10%	25V
C321	1-164-004-11	CERAMIC CHIP 0.1MF 10%	25V
C322	1-216-295-91	SHORT 0	
C323	1-163-235-11	CERAMIC CHIP 22PF 5%	50V
C324	1-164-505-11	CERAMIC CHIP 2.2MF	16V
C325	1-163-227-11	CERAMIC CHIP 10PF 0.5PF	50V
C326	1-163-229-11	CERAMIC CHIP 12PF 5%	50V
C327	1-163-227-11	CERAMIC CHIP 10PF 0.5PF	50V
C328	1-163-021-91	CERAMIC CHIP 0.01MF 10%	25V
C329	1-163-016-00	CERAMIC CHIP 0.0039MF 10%	50V
C330	1-164-004-11	CERAMIC CHIP 0.1MF 10%	25V
C331	1-126-964-11	ELECT 10MF 20%	50V
C332	1-136-165-00	FILM 0.1MF 5%	50V
C333	1-164-004-11	CERAMIC CHIP 0.1MF 10%	25V
C334	1-164-182-11	CERAMIC CHIP 0.0033MF 10%	50V
C335	1-102-973-00	CERAMIC 100PF 5%	50V
C336	1-126-964-11	ELECT 10MF 20%	50V
C337	1-104-665-11	ELECT 100MF 20%	16V
C338	1-107-823-11	CERAMIC CHIP 0.47MF 10%	16V
C339	1-163-121-00	CERAMIC CHIP 150PF 5%	50V
C340	1-164-232-11	CERAMIC CHIP 0.01MF 10%	50V
C341	1-163-117-00	CERAMIC CHIP 100PF 5%	50V
C342	1-164-004-11	CERAMIC CHIP 0.1MF 10%	25V
C344	1-126-964-11	ELECT 10MF 20%	50V
C349	1-126-963-11	ELECT 4.7MF 20%	50V
C350	1-126-967-11	ELECT 47MF 20%	16V
C351	1-164-004-11	CERAMIC CHIP 0.1MF 10%	25V
C352	1-164-489-11	CERAMIC CHIP 0.22MF 10%	16V
C358	1-164-004-11	CERAMIC CHIP 0.1MF 10%	25V
C359	1-104-665-11	ELECT 100MF 20%	16V
C361	1-163-009-11	CERAMIC CHIP 0.001MF 10%	50V
C367	1-164-004-11	CERAMIC CHIP 0.1MF 10%	25V
C368	1-164-004-11	CERAMIC CHIP 0.1MF 10%	25V
C369	1-164-004-11	CERAMIC CHIP 0.1MF 10%	25V
C370	1-164-004-11	CERAMIC CHIP 0.1MF 10%	25V
C374	1-124-910-11	ELECT 47MF 20%	50V
C375	1-124-910-11	ELECT 47MF 20%	50V
C376	1-107-823-11	CERAMIC CHIP 0.47MF 10%	16V
C402	1-164-232-11	CERAMIC CHIP 0.01MF 10%	50V
C403	1-126-965-11	ELECT 22MF 20%	50V
C405	1-163-017-00	CERAMIC CHIP 0.0047MF 10%	50V
C406	1-163-017-00	CERAMIC CHIP 0.0047MF 10%	50V
C407	1-163-017-00	CERAMIC CHIP 0.0047MF 10%	50V
C408	1-163-017-00	CERAMIC CHIP 0.0047MF 10%	50V
C410	1-163-237-11	CERAMIC CHIP 27PF 5%	50V
C411	1-163-113-00	CERAMIC CHIP 68PF 5%	50V
C413	1-104-665-11	ELECT 100MF 20%	16V
C415	1-163-017-00	CERAMIC CHIP 0.0047MF 10%	50V
C420	1-126-967-11	ELECT 47MF 20%	16V
C423	1-163-263-11	CERAMIC CHIP 330PF 5%	50V
C501	1-102-228-00	CERAMIC 470PF 10%	500V
C523	1-104-665-11	ELECT 100MF 20%	16V
C548	1-106-220-00	MYLAR 0.1MF 10%	100V
C551	1-126-968-11	ELECT 100MF 20%	35V
C552	1-126-968-11	ELECT 100MF 20%	35V
C553	1-163-019-00	CERAMIC CHIP 0.0068MF 10%	50V
C554	1-102-244-00	CERAMIC 220PF 10%	500V
C555	1-101-804-00	CERAMIC 10PF 5%	500V
C562	1-104-665-11	ELECT 100MF 20%	16V
C603	1-161-830-00	CERAMIC 0.0047MF	500V
C604	1-107-414-11	ELECT(BLOCK) 220MF 20%	400V
C605	1-161-830-00	CERAMIC 0.0047MF	500V
C606	1-161-830-00	CERAMIC 0.0047MF	500V
C607	1-161-830-00	CERAMIC 0.0047MF	500V
C608	1-104-332-11	CERAMIC 470PF 10%	2KV

REF. NO.	PART NO.	DESCRIPTION	REMARK
C609	1-124-347-00	ELECT 100MF 20%	160V
C611	A 1-117-697-11	CERAMIC 470PF 10%	250V
C613	1-102-824-00	CERAMIC 470PF 5%	50V
C614	1-126-943-11	ELECT 2200MF 20%	25V
C616	1-102-228-00	CERAMIC 470PF 10%	500V
C617	1-104-666-11	ELECT 220MF 20%	25V
C618	1-163-005-11	CERAMIC CHIP 470PF 10%	50V
C619	1-162-116-00	CERAMIC 680PF 10%	2KV
C621	A 1-104-705-51	FILM 0.1MF 20%	250V
C622	1-106-383-00	MYLAR 0.047MF 10%	200V
C623	1-126-934-11	ELECT 220MF 20%	16V
C624	1-126-942-61	ELECT 1000MF 20%	16V
C625	1-102-074-00	CERAMIC 0.001MF 10%	50V
C627	1-162-116-00	CERAMIC 680PF 10%	2KV
C628	1-163-133-00	CERAMIC CHIP 470PF 5%	50V
C630	A 1-117-697-11	CERAMIC 470PF 10%	250V
C631	1-161-830-00	CERAMIC 0.0047MF	500V
C632	A 1-117-697-11	CERAMIC 470PF 10%	250V
C633	1-161-754-00	CERAMIC 0.001MF 10%	3KV
C634	1-163-005-11	CERAMIC CHIP 470PF 10%	50V
C801	1-123-024-21	ELECT 33MF	160V
C802	1-107-364-11	MYLAR 0.01MF 10%	200V
C804	1-163-009-11	CERAMIC CHIP 0.001MF 10%	50V
C805	1-102-244-00	CERAMIC 220PF 10%	500V
C806	1-124-903-11	ELECT 1MF 20%	50V
C809	1-162-115-00	CERAMIC 330PF 10%	2KV
C810	1-106-365-00	MYLAR 0.0082MF 10%	200V
C811	1-101-821-00	CERAMIC 0.0022MF	500V
C812	1-136-075-00	FILM 0.008MF 3%	2KV
C816	1-107-636-11	ELECT 10MF 20%	160V
C820	1-162-116-00	CERAMIC 680PF 10%	2KV
C821	1-106-381-12	MYLAR 0.039MF	200V
C822	1-136-121-00	FILM 0.27MF 5%	200V
C823	1-164-232-11	CERAMIC CHIP 0.01MF 10%	50V
C825	1-107-364-11	MYLAR 0.01MF 10%	200V
C850	1-124-480-11	ELECT 470MF 20%	25V
C852	1-104-574-11	CERAMIC 0.0047MF 10%	2KV
C853	1-162-318-11	CERAMIC 0.001MF 10%	500V
C854	1-124-480-11	ELECT 470MF 20%	25V
C856	1-162-318-11	CERAMIC 0.001MF 10%	500V
C857	1-130-493-00	MYLAR 0.068MF 5%	50V
C860	1-102-228-00	CERAMIC 470PF 10%	500V
C861	1-107-654-11	ELECT 33MF 20%	250V
C876	1-107-369-11	MYLAR 0.068MF 10%	100V
C898	1-106-379-12	MYLAR 0.033MF 10%	100V
C900	1-163-133-00	CERAMIC CHIP 470PF 5%	50V
C901	1-163-133-00	CERAMIC CHIP 470PF 5%	50V
C1201	1-104-665-11	ELECT 100MF 20%	16V
C1202	1-164-004-11	CERAMIC CHIP 0.1MF 10%	25V
C1204	1-104-665-11	ELECT 100MF 20%	16V
C1205	1-164-004-11	CERAMIC CHIP 0.1MF 10%	25V
C1210	1-104-665-11	ELECT 100MF 20%	16V
C1213	1-126-960-11	ELECT 1MF 20%	50V
C1214	1-104-665-11	ELECT 100MF 20%	16V
C1217	1-104-665-11	ELECT 100MF 20%	16V
C1218	1-163-257-11	CERAMIC CHIP 180PF 5%	50V
C1219	1-104-665-11	ELECT 100MF 20%	16V
C1221	1-164-005-11	CERAMIC CHIP 0.47MF	25V
C1225	1-164-005-11	CERAMIC CHIP 0.47MF	25V
C1226	1-126-934-11	ELECT 220MF 20%	16V
C1228	1-164-346-11	CERAMIC CHIP 1MF	16V
C1229	1-164-005-11	CERAMIC CHIP 0.47MF	25V
C1230	1-164-004-11	CERAMIC CHIP 0.1MF 10%	25V
C1260	1-163-019-00	CERAMIC CHIP 0.0068MF 10%	50V
C1513	1-124-122-11	ELECT 100MF 20%	50V

The components identified by shading and mark Δ are critical for safety.
Replace only with part number specified.



REF. NO.	PART NO.	DESCRIPTION	REMARK	REF. NO.	PART NO.	DESCRIPTION	REMARK
		<FILTER>					
CF55	1-567-099-00	FILTER, CERAMIC		D1208	8-719-121-24	DIODE RD9.1ESL	
		<CONNECTOR>		D1504	8-719-911-19	DIODE 1SS119-25	
CN100	* 1-508-784-00	PIN, CONNECTOR (5mm PITCH) 1P		D1505	8-719-109-81	DIODE RD4.7ESB2	
CN101	* 1-560-124-00	PLUG, CONNECTOR (2.5MM) 4P				<FUSE>	
CN103	* 1-564-509-11	PLUG, CONNECTOR 6P		F601	Δ 1-532-237-11	FUSE, TIME-LAG (BET) 3.15A/250V	
CN251	* 1-564-506-11	PLUG, CONNECTOR 3P			1-533-223-11	CLIP, FUSE ; F601	
CN601	* 1-580-843-11	PIN, CONNECTOR (POWER)				<FERRITE BEAD>	
CN602	* 1-508-786-00	PIN, CONNECTOR (5mm PITCH) 2P		FB101	1-410-397-21	INDUCTOR 1.1UH	
CN603	* 1-508-786-00	PIN, CONNECTOR (5mm PITCH) 2P		FB102	1-410-397-21	INDUCTOR 1.1UH	
CN851	* 1-508-766-00	PIN, CONNECTOR (5mm PITCH) 4P		FB103	1-410-397-21	INDUCTOR 1.1UH	
		<TRIMMER>		FB601	1-410-397-21	INDUCTOR 1.1UH	
CT55	1-404-801-11	TRAP, CERAMIC		FB603	1-410-397-21	INDUCTOR 1.1UH	
		<DIODE>		FB610	1-410-397-21	INDUCTOR 1.1UH	
D001	8-719-109-81	DIODE RD4.7ESB2		FB612	1-410-397-21	INDUCTOR 1.1UH	
D002	8-719-911-19	DIODE 1SS119-25				<IC>	
D003	8-719-041-97	DIODE MA113-(TX)		IC001	8-752-891-61	IC CXP85220A-060S	
D005	8-719-109-84	DIODE RD5.1ESB1		IC002	8-759-805-37	IC L78LR05D-MA	
D008	8-719-109-89	DIODE RD5.6ESB2		IC003	8-759-370-33	IC ST24C04FB6	
D103	8-719-914-42	DIODE DA204K		IC004	8-742-041-12	IC SBX1981-11	
D201	8-719-041-97	DIODE MA113-(TX)		IC100	8-759-157-40	IC uPC574J	
D251	8-719-041-97	DIODE MA113-(TX)		IC203	8-759-339-60	IC TA8248K	
D252	8-719-914-42	DIODE DA204K		IC300	8-759-365-25	IC TDA8374A	
D253	8-719-041-97	DIODE MA113-(TX)		IC351	8-759-288-85	IC TDA4665T-T	
D300	8-719-041-97	DIODE MA113-(TX)		IC354	8-759-251-56	IC TDA8395T	
D301	8-719-041-97	DIODE MA113-(TX)		IC521	8-759-195-63	IC PQ09RE11	
D302	8-719-041-97	DIODE MA113-(TX)		IC551	8-759-801-98	IC LA7830	
D304	8-719-041-97	DIODE MA113-(TX)		IC601	8-749-924-99	IC STR-S6707	
D305	8-719-041-97	DIODE MA113-(TX)		IC602	8-749-921-89	IC SE115N	
D306	8-719-911-19	DIODE 1SS119-25		IC603	Δ 8-749-010-64	PHOTO COUPLER PC123F2	
D307	8-719-911-19	DIODE 1SS119-25		IC801	8-759-100-96	IC uPC4558G2	
D308	8-719-109-54	DIODE RD2.2ESB2		IC1210	8-759-100-96	IC uPC4558G2	
D310	8-719-041-97	DIODE MA113-(TX)		IC1211	8-759-711-23	IC NJM2234L	
D311	8-719-109-68	DIODE RD3.6ESB1				<JACK>	
D312	8-719-110-08	DIODE RD8.2ESB2		J251	1-770-785-11	JACK	
D315	8-719-121-24	DIODE RD9.1ESL		J1201	1-779-849-11	JACK BLOCK, PIN 4P	
D351	8-719-908-03	DIODE GP08D		J1202	1-779-205-11	JACK, PIN 2P	
D399	8-719-977-22	DIODE DTZ9.1				<CHIP CONDUCTOR>	
D403	8-719-911-19	DIODE 1SS119-25		JR050	1-216-295-91	SHORT	0
D513	8-719-109-84	DIODE RD5.1ESB1		JR052	1-216-295-91	SHORT	0
D551	8-719-908-03	DIODE GP08D		JR101	1-216-295-91	SHORT	0
D561	8-719-911-19	DIODE 1SS119-25		JR107	1-216-295-91	SHORT	0
D591	8-719-911-19	DIODE 1SS119-25		JR111	1-216-295-91	SHORT	0
D601	8-719-510-53	DIODE D4SB60L		JR113	1-216-295-91	SHORT	0
D604	8-719-301-64	DIODE RU4DS		JR114	1-208-291-11	RES. CHIP 4.7M	
D606	8-719-510-73	DIODE S3L20UF4		JR117	1-216-295-91	SHORT	0
D607	8-719-510-26	DIODE D1NL20-TA2		JR118	1-216-295-91	SHORT	0
D609	8-719-510-26	DIODE D1NL20-TA2		JR204	1-216-295-91	SHORT	0
D610	8-719-510-26	DIODE D1NL20-TA2				<COIL>	
D611	8-719-510-26	DIODE D1NL20-TA2		L001	1-408-397-00	INDUCTOR 1UH	
D801	8-719-945-80	DIODE ERC06-15S		L002	1-410-509-11	INDUCTOR 10UH	
D851	8-719-302-43	DIODE EL1Z		L003	1-408-605-31	INDUCTOR 15UH	
D852	8-719-028-72	DIODE RGP02-17EL-6433		L101	1-410-470-11	INDUCTOR 10UH	
D853	8-719-302-43	DIODE EL1Z		L301	1-408-408-00	INDUCTOR 8.2UH	
D855	8-719-302-43	DIODE EL1Z		L401	1-410-498-11	INDUCTOR 1.2UH	
D857	8-719-908-03	DIODE GP08D		L402	1-410-510-11	INDUCTOR 12UH	
D858	8-719-908-03	DIODE GP08D		L406	1-410-507-11	INDUCTOR 6.8UH	
D860	8-719-911-19	DIODE 1SS119-25		L410	1-410-501-11	INDUCTOR 2.2UH	
D901	1-810-039-11	LED UNIT					
D1201	8-719-121-24	DIODE RD9.1ESL					
D1202	8-719-121-24	DIODE RD9.1ESL					
D1207	8-719-121-24	DIODE RD9.1ESL					



REF. NO.	PART NO.	DESCRIPTION	REMARK	REF. NO.	PART NO.	DESCRIPTION	REMARK
L802	1-412-527-11	INDUCTOR 15UH		R045	1-216-057-00	RES, CHIP 2.2K	
L805	1-460-046-11	COIL, HORIZONTAL LINEARITY		R047	1-216-025-91	RES, CHIP 100	
L807	1-459-348-51	COIL, VAR, FERRITE (HWC)		R048	1-216-025-91	RES, CHIP 100	
L808	1-412-553-11	INDUCTOR 3.3mH		R053	1-216-295-91	SHORT	0
L821	1-406-677-11	COIL, CHOKE 10mH		R054	1-216-073-00	RES, CHIP 10K	
L850	1-408-947-00	INDUCTOR 2.2mH		R057	1-216-049-91	RES, CHIP 1.0K	
		<TRANSISTOR>		R060	1-216-037-00	RES, CHIP 330	
Q030	8-729-422-27	TRANSISTOR 2SD601A-Q		R061	1-216-049-91	RES, CHIP 1.0K	
Q108	8-729-422-27	TRANSISTOR 2SD601A-Q		R062	1-216-057-00	RES, CHIP 2.2K	
Q109	8-729-422-27	TRANSISTOR 2SD601A-Q		R063	1-216-057-00	RES, CHIP 2.2K	
Q110	8-729-422-27	TRANSISTOR 2SD601A-Q		R065	1-216-033-00	RES, CHIP 220	
Q202	8-729-216-22	TRANSISTOR 2SA1162-G		R066	1-216-033-00	RES, CHIP 220	
Q207	8-729-216-22	TRANSISTOR 2SA1162-G		R068	1-216-025-91	RES, CHIP 100	
Q208	8-729-421-19	TRANSISTOR UN2213		R071	1-216-037-00	RES, CHIP 330	
Q210	8-729-424-67	TRANSISTOR UN2216		R072	1-216-061-00	RES, CHIP 3.3K	
Q301	8-729-421-22	TRANSISTOR UN2211		R076	1-216-025-91	RES, CHIP 100	
Q303	8-729-422-27	TRANSISTOR 2SD601A-Q		R077	1-216-025-91	RES, CHIP 100	
Q402	8-729-922-66	TRANSISTOR 2SC2410SN		R090	1-216-073-00	RES, CHIP 10K	
Q406	8-729-216-22	TRANSISTOR 2SA1162-G		R101	1-216-065-00	RES, CHIP 4.7K	
Q408	8-729-422-27	TRANSISTOR 2SD601A-Q		R102	1-216-049-91	RES, CHIP 1.0K	
Q409	8-729-216-22	TRANSISTOR 2SA1162-G		R113	1-216-081-00	RES, CHIP 22K	
Q414	8-729-422-27	TRANSISTOR 2SD601A-Q		R114	1-216-041-00	RES, CHIP 470	
Q561	8-729-200-17	TRANSISTOR 2SA1091-O		R115	1-216-081-00	RES, CHIP 22K	
Q801	8-729-140-50	TRANSISTOR 2SC3209LK		R116	1-216-081-00	RES, CHIP 22K	
Q802	8-729-810-49	TRANSISTOR 2SD1877S-SONY-CA		R117	1-216-081-00	RES, CHIP 22K	
Q902	8-729-421-19	TRANSISTOR UN2213		R118	1-216-081-00	RES, CHIP 22K	
Q903	8-729-421-19	TRANSISTOR UN2213		R119	1-216-055-00	RES, CHIP 1.8K	
Q1201	8-729-422-27	TRANSISTOR 2SD601A-Q		R120	1-216-109-00	RES, CHIP 330K	
Q1202	8-729-422-27	TRANSISTOR 2SD601A-Q		R131	1-216-464-11	METAL OXIDE	18K 5% 2W F
Q1203	8-729-422-27	TRANSISTOR 2SD601A-Q		R180	1-216-033-00	RES, CHIP 220	
Q1204	8-729-216-22	TRANSISTOR 2SA1162-G		R181	1-216-033-00	RES, CHIP 220	
Q1207	8-729-422-27	TRANSISTOR 2SD601A-Q		R182	1-216-033-00	RES, CHIP 220	
Q1208	8-729-422-27	TRANSISTOR 2SD601A-Q		R240	1-216-043-91	RES, CHIP 560	
Q1209	8-729-422-27	TRANSISTOR 2SD601A-Q		R241	1-164-004-11	CERAMIC CHIP	0.1MF 10% 25V
Q1265	8-729-424-67	TRANSISTOR UN2216		R242	1-216-037-00	RES, CHIP 330	
Q1513	8-729-422-27	TRANSISTOR 2SD601A-Q		R243	1-216-073-00	RES, CHIP 10K	
		<RESISTOR>		R244	1-216-073-00	RES, CHIP 10K	
R001	1-216-065-00	RES, CHIP 4.7K		R245	1-216-067-00	RES, CHIP 5.6K	
R002	1-216-065-00	RES, CHIP 4.7K		R248	1-216-071-00	RES, CHIP 8.2K	
R003	1-216-065-00	RES, CHIP 4.7K		R250	1-216-071-00	RES, CHIP 8.2K	
R004	1-216-065-00	RES, CHIP 4.7K		R251	1-216-049-91	RES, CHIP 1.0K	
R007	1-216-073-00	RES, CHIP 10K		R252	1-247-815-91	CARBON	220 5% 1/4W
R008	1-216-057-00	RES, CHIP 2.2K		R253	1-216-073-00	RES, CHIP 10K	
R010	1-216-049-91	RES, CHIP 1.0K		R254	1-249-389-11	CARBON	4.7 5% 1/4W
R012	1-216-017-91	RES, CHIP 47		R265	1-216-061-00	RES, CHIP 3.3K	
R013	1-216-049-91	RES, CHIP 1.0K		R266	1-216-073-00	RES, CHIP 10K	
R015	1-216-049-91	RES, CHIP 1.0K		R301	1-216-073-00	RES, CHIP 10K	
R016	1-216-049-91	RES, CHIP 1.0K		R302	1-216-063-91	RES, CHIP 3.9K	
R017	1-216-057-00	RES, CHIP 2.2K		R303	1-216-025-91	RES, CHIP 100	
R018	1-216-033-00	RES, CHIP 220		R304	1-216-025-91	RES, CHIP 100	
R019	1-216-101-00	RES, CHIP 150K		R305	1-216-033-00	RES, CHIP 220	
R021	1-216-065-00	RES, CHIP 4.7K		R306	1-216-033-00	RES, CHIP 220	
R025	1-216-295-91	SHORT	0	R307	1-216-033-00	RES, CHIP 220	
R026	1-216-057-00	RES, CHIP 2.2K		R308	1-216-033-00	RES, CHIP 220	
R027	1-216-065-00	RES, CHIP 4.7K		R309	1-216-033-00	RES, CHIP 220	
R028	1-216-025-91	RES, CHIP 100		R310	1-216-097-91	RES, CHIP 100K	
R029	1-216-065-00	RES, CHIP 4.7K		R311	1-216-075-00	RES, CHIP 12K	
R031	1-216-049-91	RES, CHIP 1.0K		R312	1-216-025-91	RES, CHIP 100	
R033	1-216-049-91	RES, CHIP 1.0K		R313	1-216-053-00	RES, CHIP 1.5K	
R035	1-216-049-91	RES, CHIP 1.0K		R314	1-216-025-91	RES, CHIP 100	
R036	1-216-049-91	RES, CHIP 1.0K		R315	1-216-295-91	SHORT	0
R038	1-216-033-00	RES, CHIP 220		R318	1-216-097-91	RES, CHIP 100K	
R040	1-216-033-00	RES, CHIP 220		R319	1-216-123-11	RES, CHIP 1.2M	
R041	1-216-025-91	RES, CHIP 100		R320	1-216-083-00	RES, CHIP 27K	
R042	1-216-039-00	RES, CHIP 390		R321	1-216-689-11	METAL CHIP	39K 0.50% 1/10W
				R322	1-216-083-00	RES, CHIP 27K	
				R324	1-216-133-00	RES, CHIP 3.3M	
				R325	1-216-295-91	SHORT	0

The components identified by shading and mark Δ are critical for safety.
Replace only with part number specified.



REF. NO.	PART NO.	DESCRIPTION	REMARK	REF. NO.	PART NO.	DESCRIPTION	REMARK
R326	1-216-063-91	RES, CHIP 3.9K		R803	1-216-057-00	RES, CHIP 2.2K	
R327	1-216-295-91	SHORT	0	R804	1-216-049-91	RES, CHIP 1.0K	
R328	1-216-295-91	SHORT	0	R805	1-216-081-00	RES, CHIP 22K	
R329	1-216-295-91	SHORT	0	R809	1-247-763-11	CARBON	8.2K 5% 1/2W F
R330	1-216-043-91	RES, CHIP 560		R811	1-216-350-11	METAL OXIDE	1.2 5% 1W F
R331	1-216-117-00	RES, CHIP 680K		R816	1-249-437-11	CARBON	47K 5% 1/4W
R332	1-216-033-00	RES, CHIP 220		R820	1-216-053-00	RES, CHIP 1.5K	
R333	1-216-077-00	RES, CHIP 15K		R821	1-216-475-11	METAL OXIDE	120 5% 3W F
R335	1-216-073-00	RES, CHIP 10K		R822	1-216-429-00	METAL OXIDE	270 5% 1W F
R336	1-216-057-00	RES, CHIP 2.2K		R823	1-215-869-11	METAL OXIDE	1K 5% 1W F
R338	1-216-295-91	SHORT	0	R824	1-215-889-00	METAL OXIDE	330 5% 2W F
R339	1-216-036-00	RES, CHIP 300		R825	1-249-392-11	CARBON	8.2 5% 1/4W F
R340	1-216-035-00	RES, CHIP 270		R829	1-216-651-11	METAL CHIP	1K 0.50% 1/10W
R341	1-216-049-91	RES, CHIP 1.0K		R831	1-215-887-00	METAL OXIDE	150 5% 2W F
R351	1-216-001-00	RES, CHIP 10		R834	1-216-065-00	RES, CHIP 4.7K	
R355	1-216-001-00	RES, CHIP 10		R851	1-249-382-11	CARBON	1.2 5% 1/4W F
R356	1-216-049-91	RES, CHIP 1.0K		R852	1-249-417-11	CARBON	1K 5% 1/4W F
R360	1-208-291-11	RES, CHIP 4.7M		R853	1-249-377-11	CARBON	0.47 5% 1/4W F
R403	1-216-021-00	RES, CHIP 68		R854	1-249-377-11	CARBON	0.47 5% 1/4W F
R406	1-216-065-00	RES, CHIP 4.7K		R855	1-260-107-11	CARBON	4.7K 5% 1/2W
R407	1-216-063-91	RES, CHIP 3.9K		R856	1-249-429-11	CARBON	10K 5% 1/4W
R408	1-216-055-00	RES, CHIP 1.8K		R857	1-249-440-11	CARBON	82K 5% 1/4W
R409	1-216-025-91	RES, CHIP 100		R858	1-216-370-11	METAL OXIDE	1.2 5% 2W F
R414	1-216-041-00	RES, CHIP 470		R860	1-247-887-00	CARBON	220K 5% 1/4W
R416	1-216-033-00	RES, CHIP 220		R883	1-216-696-11	METAL CHIP	75K 0.50% 1/10W
R419	1-216-049-91	RES, CHIP 1.0K		R895	1-216-349-00	METAL OXIDE	1 5% 1W F
R420	1-216-039-00	RES, CHIP 390		R898	1-249-421-11	CARBON	2.2K 5% 1/4W
R421	1-216-033-00	RES, CHIP 220		R902	1-216-065-00	RES, CHIP 4.7K	
R424	1-216-057-00	RES, CHIP 2.2K		R906	1-216-065-00	RES, CHIP 4.7K	
R425	1-216-039-00	RES, CHIP 390		R907	1-216-043-91	RES, CHIP 560	
R426	1-216-029-00	RES, CHIP 150		R908	1-216-059-00	RES, CHIP 2.7K	
R429	1-216-039-00	RES, CHIP 390		R909	1-216-071-00	RES, CHIP 8.2K	
R433	1-216-081-00	RES, CHIP 22K		R910	1-216-043-91	RES, CHIP 560	
R434	1-216-041-00	RES, CHIP 470		R911	1-216-059-00	RES, CHIP 2.7K	
R440	1-216-029-00	RES, CHIP 150		R912	1-216-071-00	RES, CHIP 8.2K	
R521	1-216-049-91	RES, CHIP 1.0K		R913	1-216-041-00	RES, CHIP 470	
R555	1-249-427-11	CARBON	6.8K 5%	R914	1-216-041-00	RES, CHIP 470	
R556	1-216-049-91	RES, CHIP 1.0K		R1201	1-216-023-00	RES, CHIP 82	
R557	1-216-055-00	RES, CHIP 1.8K		R1202	1-216-049-91	RES, CHIP 1.0K	
R560	1-216-295-91	SHORT	0	R1203	1-216-089-91	RES, CHIP 47K	
R561	1-249-421-11	CARBON	2.2K 5%	R1205	1-216-023-00	RES, CHIP 82	
R562	1-249-418-11	CARBON	1.2K 5%	R1206	1-216-089-91	RES, CHIP 47K	
R563	1-260-126-11	CARBON	180K 5%	R1211	1-216-021-00	RES, CHIP 68	
R564	1-216-091-00	RES, CHIP 56K		R1212	1-216-049-91	RES, CHIP 1.0K	
R565	1-216-091-00	RES, CHIP 56K		R1215	1-216-113-00	RES, CHIP 470K	
R566	1-216-065-00	RES, CHIP 4.7K		R1216	1-216-113-00	RES, CHIP 470K	
R569	1-260-125-11	CARBON	150K 5%	R1218	1-216-041-00	RES, CHIP 470	
R571	1-216-033-00	RES, CHIP 220		R1219	1-216-073-00	RES, CHIP 10K	
R605	1-216-396-11	METAL OXIDE	3.9 5%	R1220	1-216-049-91	RES, CHIP 1.0K	
R610	1-215-924-00	METAL OXIDE	15K 5%	R1221	1-216-073-00	RES, CHIP 10K	
R611	1-202-933-61	FUSIBLE	0.1 10%	R1227	1-216-689-11	RES, CHIP 39K	
R613	1-219-134-11	FUSIBLE	0.1 10%	R1228	1-216-049-91	RES, CHIP 1.0K	
R614	1-215-877-11	METAL OXIDE	22K 5%	R1229	1-216-041-00	RES, CHIP 470	
R615	1-249-389-11	CARBON	4.7 5%	R1230	1-216-073-00	RES, CHIP 10K	
R616	Δ 1-218-265-91	METAL	8.2M 5%	R1231	1-216-049-91	RES, CHIP 1.0K	
R617	1-215-924-00	METAL OXIDE	15K 5%	R1232	1-216-063-91	RES, CHIP 3.9K	
R619	1-219-134-11	FUSIBLE	0.1 10%	R1233	1-216-057-00	RES, CHIP 2.2K	
R620	1-202-962-11	CEMENTED	3.3 5%	R1235	1-216-689-11	RES, CHIP 39K	
R622	1-207-615-00	WIREWOUND	0.33 10%	R1239	1-249-389-11	CARBON	4.7 5% 1/4W F
R623	1-247-807-31	CARBON	100 5%	R1240	1-216-025-91	RES, CHIP 100	
R624	1-216-446-21	METAL OXIDE	18 5%	R1241	1-216-049-91	RES, CHIP 1.0K	
R625	1-249-424-11	CARBON	3.9K 5%	R1243	1-216-025-91	RES, CHIP 100	
R626	1-249-420-11	CARBON	1.8K 5%	R1245	1-216-037-00	RES, CHIP 330	
R627	1-249-417-11	CARBON	1K 5%	R1246	1-216-037-00	RES, CHIP 330	
R628	1-249-417-11	CARBON	1K 5%	R1247	1-216-041-00	RES, CHIP 470	
R629	1-249-401-11	CARBON	47 5%	R1248	1-216-053-00	RES, CHIP 1.5K	
R632	1-249-381-11	CARBON	1 5%	R1249	1-216-044-00	RES, CHIP 620	
R636	1-215-924-00	METAL OXIDE	15K 5%	R1250	1-216-119-00	RES, CHIP 820K	
R801	1-215-921-11	METAL OXIDE	4.7K 5%	R1251	1-216-119-00	RES, CHIP 820K	



The components identified by shading and mark **A** are critical for safety.
Replace only with part number specified.

REF. NO.	PART NO.	DESCRIPTION	REMARK	REF. NO.	PART NO.	DESCRIPTION	REMARK
R1252	1-216-061-00	RES, CHIP 3.3K		C012	1-163-117-00	CERAMIC CHIP 100PF 5%	50V
R1253	1-216-053-00	RES, CHIP 1.5K		C013	1-163-009-11	CERAMIC CHIP 0.001MF 10%	50V
R1255	1-216-073-00	RES, CHIP 10K		C014	1-163-009-11	CERAMIC CHIP 0.001MF 10%	50V
R1513	1-216-073-00	RES, CHIP 10K		C015	1-101-884-00	CERAMIC 56PF 5%	50V
R1514	1-216-065-00	RES, CHIP 4.7K		C016	1-101-884-00	CERAMIC 56PF 5%	50V
R1515	1-216-025-91	RES, CHIP 100		C017	1-163-117-00	CERAMIC CHIP 100PF 5%	50V
		<SWITCH>		C018	1-163-117-00	CERAMIC CHIP 100PF 5%	50V
S601	A 1-571-433-31	SWITCH, PUSH (AC POWER)		C019	1-163-009-11	CERAMIC CHIP 0.001MF 10%	50V
S801	1-572-707-11	SWITCH, LEVER		C020	1-163-009-11	CERAMIC CHIP 0.001MF 10%	50V
S901	1-571-532-21	SWITCH, TACTIL		C021	1-163-009-11	CERAMIC CHIP 0.001MF 10%	50V
S902	1-571-532-21	SWITCH, TACTIL		C022	1-163-009-11	CERAMIC CHIP 0.001MF 10%	50V
S903	1-571-532-21	SWITCH, TACTIL		C023	1-163-009-11	CERAMIC CHIP 0.001MF 10%	50V
S904	1-571-532-21	SWITCH, TACTIL		C024	1-163-009-11	CERAMIC CHIP 0.001MF 10%	50V
S905	1-571-532-21	SWITCH, TACTIL		C025	1-163-009-11	CERAMIC CHIP 0.001MF 10%	50V
S906	1-571-532-21	SWITCH, TACTIL		C026	1-163-009-11	CERAMIC CHIP 0.001MF 10%	50V
		<SPARK GAP>		C027	1-163-009-11	CERAMIC CHIP 0.001MF 10%	50V
SG801	1-519-422-11	GAP, SPARK		C028	1-163-009-11	CERAMIC CHIP 0.001MF 10%	50V
		<FILTER>		C029	1-163-009-11	CERAMIC CHIP 0.001MF 10%	50V
SWF401	1-577-169-12	SAWF		C034	1-164-004-11	CERAMIC CHIP 0.1MF 10%	25V
		<TRANSFORMER>		C035	1-163-009-11	CERAMIC CHIP 0.001MF 10%	50V
T601	A 1-429-138-11	TRANSFORMER, CONVERTER (SRT)		C036	1-163-009-11	CERAMIC CHIP 0.001MF 10%	50V
T605	A 1-424-682-11	TRANSFORMER, LINE FILTER		C037	1-163-117-00	CERAMIC CHIP 100PF 5%	50V
T801	1-437-195-11	TRANSFORMER, HORIZONTAL DRIVE		C038	1-163-117-00	CERAMIC CHIP 100PF 5%	50V
T851	A 1-453-249-11	TRANSFORMER ASSY, FLYBACK (NX-1733/M3A)		C040	1-163-117-00	CERAMIC CHIP 100PF 5%	50V
		<THERMISTOR>		C042	1-163-117-00	CERAMIC CHIP 100PF 5%	50V
THP601	A 1-806-165-12	THERMISTOR (POSITIVE)		C044	1-163-117-00	CERAMIC CHIP 100PF 5%	50V
		<TUNER>		C045	1-163-117-00	CERAMIC CHIP 100PF 5%	50V
TU101	A 8-598-323-00	TUNER (BT-AG401)		C046	1-163-117-00	CERAMIC CHIP 100PF 5%	50V
		<CRYSTAL>		C047	1-163-117-00	CERAMIC CHIP 100PF 5%	50V
X101	1-577-358-21	VIBRATOR, CERAMIC		C048	1-164-004-11	CERAMIC CHIP 0.1MF 10%	25V
X300	1-411-752-11	COIL		C049	1-164-004-11	CERAMIC CHIP 0.1MF 10%	25V
X358	1-567-505-11	OSCILLATOR, CRYSTAL		C050	1-126-960-11	ELECT 1MF 20%	50V
X443	1-567-504-11	OSCILLATOR, CRYSTAL		C051	1-163-117-00	CERAMIC CHIP 100PF 5%	50V
		*****		C052	1-164-004-11	CERAMIC CHIP 0.1MF 10%	25V
		* A-1298-341-A A BOARD, COMPLETE (KV-G21M2J)		C053	1-163-009-11	CERAMIC CHIP 0.001MF 10%	50V
		*****		C054	1-163-009-11	CERAMIC CHIP 0.001MF 10%	50V
		4-382-854-11 SCREW (M3X10), P, SW (+)		C055	1-124-480-11	ELECT 470MF 20%	25V
		<CAPACITOR>		C056	1-163-009-11	CERAMIC CHIP 0.001MF 10%	50V
C001	1-163-011-11	CERAMIC CHIP 0.0015MF 10%	50V	C057	1-163-243-11	CERAMIC CHIP 47PF 5%	50V
C002	1-126-965-11	ELECT 22MF 20%	50V	C058	1-163-117-00	CERAMIC CHIP 100PF 5%	50V
C003	1-163-117-00	CERAMIC CHIP 100PF 5%	50V	C059	1-163-117-00	CERAMIC CHIP 100PF 5%	50V
C004	1-126-961-11	ELECT 2.2MF 20%	50V	C060	1-163-009-11	CERAMIC CHIP 0.001MF 10%	50V
C006	1-163-009-11	CERAMIC CHIP 0.001MF 10%	50V	C061	1-164-505-11	CERAMIC CHIP 2.2MF 16V	
C007	1-126-959-11	ELECT 0.47MF 20%	50V	C064	1-163-009-11	CERAMIC CHIP 0.001MF 10%	50V
C008	1-163-117-00	CERAMIC CHIP 100PF 5%	50V	C072	1-124-480-11	ELECT 470MF 20%	25V
C009	1-163-133-00	CERAMIC CHIP 470PF 5%	50V	C074	1-163-001-11	CERAMIC CHIP 220PF 10%	50V
C010	1-163-037-11	CERAMIC CHIP 0.022MF 10%	50V	C101	1-163-017-00	CERAMIC CHIP 0.0047MF 10%	50V
C011	1-126-967-11	ELECT 47MF 20%	16V	C103	1-163-009-11	CERAMIC CHIP 0.001MF 10%	50V
		*****		C105	1-104-665-11	ELECT 100MF 20%	16V
				C106	1-124-907-11	ELECT 10MF 20%	50V
				C108	1-126-767-11	ELECT 1000MF 20%	16V
				C109	1-163-017-00	CERAMIC CHIP 0.0047MF 10%	50V
				C111	1-163-009-11	CERAMIC CHIP 0.001MF 10%	50V
				C114	1-163-117-00	CERAMIC CHIP 100PF 5%	50V
				C115	1-163-227-11	CERAMIC CHIP 10PF 0.5PF	50V
				C116	1-136-165-00	FILM 0.1MF 5%	50V
				C117	1-163-117-00	CERAMIC CHIP 100PF 5%	50V
				C118	1-126-965-11	ELECT 22MF 20%	50V
				C119	1-164-232-11	CERAMIC CHIP 0.01MF 10%	50V
				C120	1-130-493-00	MYLAR 0.068MF 5%	50V
				C121	1-130-493-00	MYLAR 0.068MF 5%	50V
				C122	1-104-665-11	ELECT 100MF 20%	16V
				C124	1-164-004-11	CERAMIC CHIP 0.1MF 10%	25V
				C125	1-164-004-11	CERAMIC CHIP 0.1MF 10%	25V
				C127	1-164-004-11	CERAMIC CHIP 0.1MF 10%	25V
				C128	1-164-004-11	CERAMIC CHIP 0.1MF 10%	25V
				C220	1-126-965-11	ELECT 22MF 20%	50V
				C234	1-126-967-11	ELECT 47MF 20%	16V
				C235	1-104-665-11	ELECT 100MF 20%	16V

The components identified by shading and mark Δ are critical for safety.
Replace only with part number specified.



REF. NO.	PART NO.	DESCRIPTION	REMARK	REF. NO.	PART NO.	DESCRIPTION	REMARK
C236	1-124-484-11	ELECT 220MF 20%	35V	C403	1-126-965-11	ELECT 22MF 20%	50V
C237	1-104-665-11	ELECT 100MF 20%	16V	C405	1-163-017-00	CERAMIC CHIP 0.0047MF 10%	50V
C238	1-136-167-00	FILM 0.15MF 5%	50V	C406	1-163-017-00	CERAMIC CHIP 0.0047MF 10%	50V
C241	1-126-942-61	ELECT 1000MF 20%	25V	C407	1-163-017-00	CERAMIC CHIP 0.0047MF 10%	50V
C242	1-164-232-11	CERAMIC CHIP 0.01MF 10%	50V	C408	1-163-017-00	CERAMIC CHIP 0.0047MF 10%	50V
C243	1-126-964-11	ELECT 10MF 20%	50V	C409	1-163-243-11	CERAMIC CHIP 47PF 5%	50V
C244	1-126-942-61	ELECT 1000MF 20%	25V	C410	1-163-237-11	CERAMIC CHIP 27PF 5%	50V
C252	1-126-961-11	ELECT 2.2MF 20%	50V	C411	1-163-113-00	CERAMIC CHIP 68PF 5%	50V
C253	1-104-665-11	ELECT 100MF 20%	16V	C412	1-163-113-00	CERAMIC CHIP 68PF 5%	50V
C255	1-163-037-11	CERAMIC CHIP 0.022MF 10%	50V	C413	1-104-665-11	ELECT 100MF 20%	16V
C258	1-136-167-00	FILM 0.15MF 5%	50V	C414	1-163-117-00	CERAMIC CHIP 100PF 5%	50V
C300	1-126-967-11	ELECT 47MF 20%	16V	C415	1-163-017-00	CERAMIC CHIP 0.0047MF 10%	50V
C301	1-126-964-11	ELECT 10MF 20%	50V	C416	1-163-117-00	CERAMIC CHIP 100PF 5%	50V
C304	1-164-004-11	CERAMIC CHIP 0.1MF 10%	25V	C417	1-163-117-00	CERAMIC CHIP 100PF 5%	50V
C305	1-164-004-11	CERAMIC CHIP 0.1MF 10%	25V	C418	1-163-263-11	CERAMIC CHIP 330PF 5%	50V
C306	1-164-004-11	CERAMIC CHIP 0.1MF 10%	25V	C419	1-163-117-00	CERAMIC CHIP 100PF 5%	50V
C307	1-164-004-11	CERAMIC CHIP 0.1MF 10%	25V	C420	1-126-967-11	ELECT 47MF 20%	16V
C308	1-164-004-11	CERAMIC CHIP 0.1MF 10%	25V	C422	1-163-263-11	CERAMIC CHIP 330PF 5%	50V
C309	1-164-004-11	CERAMIC CHIP 0.1MF 10%	25V	C423	1-163-263-11	CERAMIC CHIP 330PF 5%	50V
C310	1-164-004-11	CERAMIC CHIP 0.1MF 10%	25V	C424	1-163-133-00	CERAMIC CHIP 470PF 5%	50V
C311	1-163-231-11	CERAMIC CHIP 15PF 5%	50V	C501	1-102-228-00	CERAMIC 470PF 10%	500V
C312	1-163-231-11	CERAMIC CHIP 15PF 5%	50V	C523	1-104-665-11	ELECT 100MF 20%	16V
C313	1-104-665-11	ELECT 100MF 20%	16V	C548	1-106-220-00	MYLAR 0.1MF 10%	100V
C314	1-164-161-11	CERAMIC CHIP 0.0022MF 10%	50V	C551	1-126-968-11	ELECT 100MF 20%	35V
C315	1-107-823-11	CERAMIC CHIP 0.47MF 10%	16V	C552	1-126-968-11	ELECT 100MF 20%	35V
C316	1-102-125-00	CERAMIC 0.0047MF 10%	50V	C553	1-163-019-00	CERAMIC CHIP 0.0068MF 10%	50V
C317	1-164-505-11	CERAMIC CHIP 2.2MF	16V	C554	1-102-244-00	CERAMIC 220PF 10%	500V
C319	1-164-004-11	CERAMIC CHIP 0.1MF 10%	25V	C555	1-101-804-00	CERAMIC 10PF 5%	500V
C320	1-164-004-11	CERAMIC CHIP 0.1MF 10%	25V	C562	1-104-665-11	ELECT 100MF 20%	16V
C321	1-164-004-11	CERAMIC CHIP 0.1MF 10%	25V	C602	1-161-830-00	CERAMIC 0.0047MF	500V
C322	1-216-295-91	SHORT 0		C603	1-161-830-00	CERAMIC 0.0047MF	500V
C323	1-163-235-11	CERAMIC CHIP 22PF 5%	50V	C604	1-117-752-11	ELECT(BLOCK) 330MF 20%	450V
C324	1-164-505-11	CERAMIC CHIP 2.2MF	16V	C605	1-161-830-00	CERAMIC 0.0047MF	500V
C325	1-163-227-11	CERAMIC CHIP 10PF 0.5PF	50V	C606	1-161-830-00	CERAMIC 0.0047MF	500V
C326	1-163-229-11	CERAMIC CHIP 12PF 5%	50V	C607	1-161-830-00	CERAMIC 0.0047MF	500V
C327	1-163-227-11	CERAMIC CHIP 10PF 0.5PF	50V	C608	1-104-332-11	CERAMIC 470PF 10%	2KV
C328	1-164-004-11	CERAMIC CHIP 0.1MF 10%	25V	C609	1-124-347-00	ELECT 100MF 20%	160V
C329	1-163-016-00	CERAMIC CHIP 0.0039MF 10%	50V	C611	Δ 1-117-697-11	CERAMIC 470PF 10%	250V
C330	1-164-004-11	CERAMIC CHIP 0.1MF 10%	25V	C613	1-102-824-00	CERAMIC 470PF 5%	50V
C331	1-126-964-11	ELECT 10MF 20%	50V	C614	1-126-943-11	ELECT 2200MF 20%	25V
C332	1-136-165-00	FILM 0.1MF 5%	50V	C616	1-102-228-00	CERAMIC 470PF 10%	500V
C333	1-164-004-11	CERAMIC CHIP 0.1MF 10%	25V	C617	1-124-480-11	ELECT 470MF 20%	25V
C334	1-164-182-11	CERAMIC CHIP 0.0033MF 10%	50V	C618	1-163-005-11	CERAMIC CHIP 470PF 10%	50V
C335	1-102-973-00	CERAMIC 100PF 5%	50V	C619	1-162-116-00	CERAMIC 680PF 10%	2KV
C336	1-124-907-11	ELECT 10MF 20%	50V	C621	Δ 1-104-705-51	FILM 0.1MF 20%	250V
C337	1-104-665-11	ELECT 100MF 20%	16V	C622	1-106-383-00	MYLAR 0.047MF 10%	200V
C338	1-107-823-11	CERAMIC CHIP 0.47MF 10%	16V	C623	1-126-934-11	ELECT 220MF 20%	16V
C339	1-163-121-00	CERAMIC CHIP 150PF 5%	50V	C624	1-107-884-11	ELECT 1000MF 20%	16V
C340	1-164-232-11	CERAMIC CHIP 0.01MF 10%	50V	C625	1-102-074-00	CERAMIC 0.001MF 10%	50V
C341	1-163-117-00	CERAMIC CHIP 100PF 5%	50V	C627	1-162-116-00	CERAMIC 680PF 10%	2KV
C342	1-164-004-11	CERAMIC CHIP 0.1MF 10%	25V	C628	1-163-133-00	CERAMIC CHIP 470PF 5%	50V
C344	1-126-964-11	ELECT 10MF 20%	50V	C630	Δ 1-117-697-11	CERAMIC 470PF 10%	250V
C349	1-126-964-11	ELECT 10MF 20%	50V	C631	1-161-830-00	CERAMIC 0.0047MF	500V
C350	1-126-967-11	ELECT 47MF 20%	16V	C632	Δ 1-117-697-11	CERAMIC 470PF 10%	250V
C351	1-164-004-11	CERAMIC CHIP 0.1MF 10%	25V	C633	1-161-754-00	CERAMIC 0.001MF 10%	3KV
C352	1-164-489-11	CERAMIC CHIP 0.22MF 10%	16V	C634	1-163-005-11	CERAMIC CHIP 470PF 10%	50V
C358	1-164-004-11	CERAMIC CHIP 0.1MF 10%	25V	C801	1-123-024-21	ELECT 33MF	160V
C359	1-104-665-11	ELECT 100MF 20%	16V	C802	1-107-364-11	MYLAR 0.01MF 10%	200V
C361	1-163-009-11	CERAMIC CHIP 0.001MF 10%	50V	C804	1-163-009-11	CERAMIC CHIP 0.001MF 10%	50V
C362	1-163-235-11	CERAMIC CHIP 22PF 5%	50V	C805	1-102-244-00	CERAMIC 220PF 10%	500V
C367	1-164-004-11	CERAMIC CHIP 0.1MF 10%	25V	C806	1-126-960-11	ELECT 1MF 20%	50V
C368	1-164-004-11	CERAMIC CHIP 0.1MF 10%	25V	C807	1-136-569-11	FILM 1.2MF 5%	200V
C369	1-164-004-11	CERAMIC CHIP 0.1MF 10%	25V	C808	1-129-746-00	FILM 0.039MF 5%	400V
C370	1-164-004-11	CERAMIC CHIP 0.1MF 10%	25V	C809	1-162-115-00	CERAMIC 330PF 10%	2KV
C374	1-124-910-11	ELECT 47MF 20%	50V	C810	1-106-365-00	MYLAR 0.0082MF 10%	200V
C375	1-124-910-11	ELECT 47MF 20%	50V	C811	1-162-318-11	CERAMIC 0.001MF 10%	500V
C376	1-107-823-11	CERAMIC CHIP 0.47MF 10%	16V	C812	1-117-646-11	FILM 12000PF 3%	1.2KV
C402	1-164-232-11	CERAMIC CHIP 0.01MF 10%	50V	C816	1-107-943-11	ELECT 10MF 20%	160V



The components identified by shading and mark Δ are critical for safety.
Replace only with part number specified.

REF. NO.	PART NO.	DESCRIPTION	REMARK	REF. NO.	PART NO.	DESCRIPTION	REMARK
C820	1-161-754-00	CERAMIC	0.001MF 10%	2KV	D103	8-719-914-42	DIODE DA204K
C821	1-104-999-11	MYLAR	0.1MF 10%	200V	D201	8-719-041-97	DIODE MA113-(TX)
C822	1-136-111-00	FILM	1MF 5%	200V	D251	8-719-041-97	DIODE MA113-(TX)
C823	1-164-232-11	CERAMIC CHIP	0.01MF 10%	50V	D252	8-719-914-42	DIODE DA204K
C825	1-107-364-11	MYLAR	0.01MF 10%	200V	D253	8-719-041-97	DIODE MA113-(TX)
C850	1-124-480-11	ELECT	470MF 20%	25V	D300	8-719-041-97	DIODE MA113-(TX)
C852	1-104-574-11	CERAMIC	0.0047MF 10%	2KV	D301	8-719-041-97	DIODE MA113-(TX)
C853	1-162-318-11	CERAMIC	0.001MF 10%	500V	D305	8-719-041-97	DIODE MA113-(TX)
C854	1-124-480-11	ELECT	470MF 20%	25V	D306	8-719-911-19	DIODE 1SS119-25
C856	1-162-318-11	CERAMIC	0.001MF 10%	500V	D307	8-719-911-19	DIODE 1SS119-25
C857	1-136-159-00	FILM	0.033MF 5%	50V	D308	8-719-109-54	DIODE RD2.2ESB2
C860	1-102-228-00	CERAMIC	470PF 10%	500V	D310	8-719-041-97	DIODE MA113-(TX)
C861	1-107-654-11	ELECT	33MF 20%	250V	D311	8-719-109-54	DIODE RD2.2ESB2
C875	1-128-562-11	ELECT	47MF 20%	100V	D312	8-719-110-08	DIODE RD8.2ESB2
C876	1-107-369-11	MYLAR	0.068MF 10%	100V	D315	8-719-121-24	DIODE RD9.1ESL
C891	1-163-007-11	CERAMIC CHIP	680PF 10%	50V	D351	8-719-908-03	DIODE GP08D
C898	1-137-150-11	MYLAR	0.01MF 10%	100V	D399	8-719-977-22	DIODE DTZ9.1
C900	1-163-133-00	CERAMIC CHIP	470PF 5%	50V	D401	8-719-421-40	DIODE MA77
C901	1-163-133-00	CERAMIC CHIP	470PF 5%	50V	D402	8-719-911-19	DIODE 1SS119-25
C1201	1-104-665-11	ELECT	100MF 20%	16V	D403	8-719-911-19	DIODE 1SS119-25
C1202	1-164-004-11	CERAMIC CHIP	0.1MF 10%	25V	D513	8-719-109-84	DIODE RD5.1ESB1
C1204	1-104-665-11	ELECT	100MF 20%	16V	D551	8-719-908-03	DIODE GP08D
C1205	1-164-004-11	CERAMIC CHIP	0.1MF 10%	25V	D561	8-719-911-19	DIODE 1SS119-25
C1210	1-104-665-11	ELECT	100MF 20%	16V	D591	8-719-911-19	DIODE 1SS119-25
C1213	1-126-960-11	ELECT	1MF 20%	50V	D601	8-719-510-53	DIODE D4SB60L
C1214	1-126-933-11	ELECT	100MF 20%	16V	D604	8-719-301-64	DIODE RU4DS
C1217	1-104-665-11	ELECT	100MF 20%	16V	D606	8-719-510-73	DIODE S3L20UF4
C1218	1-163-257-11	CERAMIC CHIP	180PF 5%	50V	D607	8-719-510-26	DIODE D1NL20-TA2
C1219	1-104-665-11	ELECT	100MF 20%	16V	D609	8-719-510-26	DIODE D1NL20-TA2
C1221	1-164-005-11	CERAMIC CHIP	0.47MF 25V		D610	8-719-510-26	DIODE D1NL20-TA2
C1225	1-164-005-11	CERAMIC CHIP	0.47MF 25V		D611	8-719-510-26	DIODE D1NL20-TA2
C1226	1-126-934-11	ELECT	220MF 20%	16V	D801	8-719-945-80	DIODE ERC06-15S
C1228	1-164-346-11	CERAMIC CHIP	1MF 16V		D802	8-719-900-26	DIODE ERD29-08J
C1229	1-164-005-11	CERAMIC CHIP	0.47MF 25V		D851	8-719-302-43	DIODE EL1Z
C1230	1-164-004-11	CERAMIC CHIP	0.1MF 10%	25V	D852	8-719-028-72	DIODE RGP02-17EL-6433
C1260	1-164-161-11	CERAMIC CHIP	0.0022MF 10%	50V	D853	8-719-302-43	DIODE EL1Z
C1513	1-124-122-11	ELECT	100MF 20%	50V	D855	8-719-302-43	DIODE EL1Z
		<FILTER>			D857	8-719-908-03	DIODE GP08D
					D858	8-719-908-03	DIODE GP08D
					D860	8-719-911-19	DIODE 1SS119-25
CF45	1-527-943-00	FILTER, CERAMIC			D901	1-810-039-11	LED UNIT
CF55	1-567-099-00	FILTER, CERAMIC			D1201	8-719-121-24	DIODE RD9.1ESL
CF60	1-567-100-00	FILTER, CERAMIC			D1202	8-719-121-24	DIODE RD9.1ESL
CF65	1-567-101-11	FILTER, CERAMIC			D1207	8-719-121-24	DIODE RD9.1ESL
		<CONNECTOR>			D1208	8-719-121-24	DIODE RD9.1ESL
CN100	* 1-508-784-00	PIN, CONNECTOR (5mm PITCH) 1P			D1504	8-719-911-19	DIODE 1SS119-25
CN101	* 1-560-124-00	PLUG, CONNECTOR (2.5MM) 4P			D1505	8-719-109-81	DIODE RD4.7ESB2
CN103	* 1-564-509-11	PLUG, CONNECTOR 6P					<FUSE>
CN251	* 1-564-506-11	PLUG, CONNECTOR 3P			F601	Δ 1-532-237-11	FUSE, TIME-LAG (BET) 3.15A/250V
CN601	* 1-580-843-11	PIN, CONNECTOR (POWER)				1-533-223-11	CLIP, FUSE ; F601
CN602	* 1-508-786-00	PIN, CONNECTOR (5mm PITCH) 2P					<FERRITE BEAD>
CN603	* 1-508-786-00	PIN, CONNECTOR (5mm PITCH) 2P			FB101	1-410-397-21	INDUCTOR 1.1UH
CN851	* 1-508-766-00	PIN, CONNECTOR (5mm PITCH) 4P			FB102	1-410-397-21	INDUCTOR 1.1UH
		<TRIMMER>			FB103	1-410-397-21	INDUCTOR 1.1UH
CT45	1-579-690-11	TRAP, CERAMIC			FB601	1-410-397-21	INDUCTOR 1.1UH
CT55	1-404-801-11	TRAP, CERAMIC			FB603	1-410-397-21	INDUCTOR 1.1UH
CT60	1-409-429-11	TRAP, CERAMIC			FB610	1-410-397-21	INDUCTOR 1.1UH
CT65	1-409-327-00	TRAP, CERAMIC (6.5MHZ)			FB612	1-410-397-21	INDUCTOR 1.1UH
		<DIODE>			FB801	1-410-397-21	INDUCTOR 1.1UH
D001	8-719-109-81	DIODE RD4.7ESB2					<IC>
D002	8-719-911-19	DIODE 1SS119-25			IC001	8-752-891-61	IC CXP85220A-060S
D003	8-719-041-97	DIODE MA113-(TX)			IC002	8-759-805-37	IC L78LR05D-MA
D005	8-719-109-84	DIODE RD5.1ESB1			IC003	8-759-370-33	IC ST24C04FB6
D008	8-719-109-89	DIODE RD5.6ESB2					

The components identified by shading and mark Δ are critical for safety.
Replace only with part number specified.



REF. NO.	PART NO.	DESCRIPTION	REMARK	REF. NO.	PART NO.	DESCRIPTION	REMARK
IC004	8-742-041-12	IC SBX1981-11		Q202	8-729-216-22	TRANSISTOR 2SA1162-G	
IC100	8-759-157-40	IC uPC574J		Q207	8-729-216-22	TRANSISTOR 2SA1162-G	
IC203	8-759-339-60	IC TA8248K		Q208	8-729-421-19	TRANSISTOR UN2213	
IC300	8-759-365-26	IC TDA8375A		Q210	8-729-424-67	TRANSISTOR UN2216	
IC351	8-759-288-85	IC TDA4665T-T		Q301	8-729-421-22	TRANSISTOR UN2211	
IC354	8-759-251-56	IC TDA8395T		Q303	8-729-422-27	TRANSISTOR 2SD601A-Q	
IC401	8-759-800-65	IC LA7910		Q402	8-729-922-66	TRANSISTOR 2SC2410SN	
IC521	8-759-195-63	IC PQ09RE11		Q403	8-729-424-67	TRANSISTOR UN2216	
IC551	8-759-801-98	IC LA7830		Q404	8-729-424-67	TRANSISTOR UN2216	
IC601	8-749-014-00	IC STR-S6707N		Q405	8-729-216-22	TRANSISTOR 2SA1162-G	
IC602	8-749-921-89	IC SE115N		Q406	8-729-216-22	TRANSISTOR 2SA1162-G	
IC603	Δ 8-749-010-64	PHOTO COUPLER PC123F2		Q407	8-729-216-22	TRANSISTOR 2SA1162-G	
IC801	8-759-100-96	IC uPC4558G2		Q408	8-729-422-27	TRANSISTOR 2SD601A-Q	
IC1210	8-759-100-96	IC uPC4558G2		Q409	8-729-216-22	TRANSISTOR 2SA1162-G	
IC1211	8-759-711-23	IC NJM2234L		Q410	8-729-216-22	TRANSISTOR 2SA1162-G	
		<JACK>		Q411	8-729-422-27	TRANSISTOR 2SD601A-Q	
J251	1-770-785-11	JACK		Q412	8-729-422-27	TRANSISTOR 2SD601A-Q	
J1201	1-779-849-11	JACK BLOCK, PIN 4P		Q413	8-729-424-67	TRANSISTOR UN2216	
J1202	1-779-205-11	JACK, PIN 2P		Q414	8-729-422-27	TRANSISTOR 2SD601A-Q	
		<CHIP CONDUCTOR>		Q415	8-729-424-67	TRANSISTOR UN2216	
JR050	1-216-295-91	SHORT	0	Q416	8-729-422-27	TRANSISTOR 2SD601A-Q	
JR052	1-216-295-91	SHORT	0	Q417	8-729-424-67	TRANSISTOR UN2216	
JR101	1-216-295-91	SHORT	0	Q418	8-729-424-67	TRANSISTOR UN2216	
JR113	1-216-295-91	SHORT	0	Q561	8-729-200-17	TRANSISTOR 2SA1091-O	
JR115	1-216-295-91	SHORT	0	Q801	8-729-140-50	TRANSISTOR 2SC3209LK	
JR116	1-216-295-91	SHORT	0	Q802	8-729-821-87	TRANSISTOR 2SD1878-CA	
JR117	1-216-295-91	SHORT	0	Q821	8-729-209-15	TRANSISTOR 2SD2012	
JR118	1-216-295-91	SHORT	0	Q902	8-729-421-19	TRANSISTOR UN2213	
JR124	1-216-295-91	SHORT	0	Q903	8-729-421-19	TRANSISTOR UN2213	
JR125	1-216-295-91	SHORT	0	Q1201	8-729-422-27	TRANSISTOR 2SD601A-Q	
JR126	1-216-295-91	SHORT	0	Q1202	8-729-422-27	TRANSISTOR 2SD601A-Q	
JR204	1-216-295-91	SHORT	0	Q1203	8-729-422-27	TRANSISTOR 2SD601A-Q	
		<COIL>		Q1204	8-729-216-22	TRANSISTOR 2SA1162-G	
L001	1-408-397-00	INDUCTOR 1UH		Q1207	8-729-422-27	TRANSISTOR 2SD601A-Q	
L002	1-410-509-11	INDUCTOR 10UH		Q1208	8-729-422-27	TRANSISTOR 2SD601A-Q	
L003	1-408-605-31	INDUCTOR 15UH		Q1209	8-729-422-27	TRANSISTOR 2SD601A-Q	
L101	1-410-470-11	INDUCTOR 10UH		Q1265	8-729-424-67	TRANSISTOR UN2216	
L301	1-408-408-00	INDUCTOR 8.2UH		Q1513	8-729-422-27	TRANSISTOR 2SD601A-Q	
L401	1-410-498-11	INDUCTOR 1.2UH				<RESISTOR>	
L402	1-410-510-11	INDUCTOR 12UH		R001	1-216-065-00	RES, CHIP 4.7K	
L403	1-410-510-11	INDUCTOR 12UH		R002	1-216-065-00	RES, CHIP 4.7K	
L404	1-410-508-11	INDUCTOR 8.2UH		R003	1-216-065-00	RES, CHIP 4.7K	
L405	1-410-508-11	INDUCTOR 8.2UH		R004	1-216-065-00	RES, CHIP 4.7K	
L406	1-410-507-11	INDUCTOR 6.8UH		R007	1-216-073-00	RES, CHIP 10K	
L407	1-410-511-11	INDUCTOR 15UH		R008	1-216-057-00	RES, CHIP 2.2K	
L408	1-410-500-11	INDUCTOR 1.8UH		R009	1-216-049-91	RES, CHIP 1.0K	
L409	1-410-501-11	INDUCTOR 2.2UH		R010	1-216-049-91	RES, CHIP 1.0K	
L410	1-410-501-11	INDUCTOR 2.2UH		R012	1-216-017-91	RES, CHIP 47	
L411	1-410-502-11	INDUCTOR 2.7UH		R013	1-216-049-91	RES, CHIP 1.0K	
L802	1-412-527-11	INDUCTOR 15UH		R014	1-216-049-91	RES, CHIP 1.0K	
L804	1-459-075-11	COIL,DYNAMIC CONVERSION CHOKE		R015	1-216-043-91	RES, CHIP 560	
L805	1-459-769-13	COIL, HORIZONTAL LINEARITY		R016	1-216-049-91	RES, CHIP 1.0K	
L807	1-459-390-00	COIL (WITH CORE)		R017	1-216-057-00	RES, CHIP 2.2K	
L808	1-412-552-11	INDUCTOR 2.2mH		R018	1-216-033-00	RES, CHIP 220	
L821	1-459-111-00	COIL, DRAM CORE (CDI)		R019	1-216-101-00	RES, CHIP 150K	
L850	1-408-947-00	INDUCTOR 2.2mH		R021	1-216-065-00	RES, CHIP 4.7K	
		<TRANSISTOR>		R025	1-216-057-00	RES, CHIP 2.2K	
Q030	8-729-422-27	TRANSISTOR 2SD601A-Q		R026	1-216-057-00	RES, CHIP 2.2K	
Q108	8-729-422-27	TRANSISTOR 2SD601A-Q		R027	1-216-065-00	RES, CHIP 4.7K	
Q109	8-729-422-27	TRANSISTOR 2SD601A-Q		R028	1-216-025-91	RES, CHIP 100	
Q110	8-729-422-27	TRANSISTOR 2SD601A-Q		R029	1-216-065-00	RES, CHIP 4.7K	
				R031	1-216-049-91	RES, CHIP 1.0K	
				R033	1-216-049-91	RES, CHIP 1.0K	
				R035	1-216-049-91	RES, CHIP 1.0K	
				R036	1-216-049-91	RES, CHIP 1.0K	
				R038	1-216-033-00	RES, CHIP 220	



REF. NO.	PART NO.	DESCRIPTION	REMARK	REF. NO.	PART NO.	DESCRIPTION	REMARK
R040	1-216-033-00	RES, CHIP 220		R322	1-216-083-00	RES, CHIP 27K	
R041	1-216-025-91	RES, CHIP 100		R325	1-216-295-91	SHORT	0
R042	1-216-039-00	RES, CHIP 390		R326	1-216-039-00	RES, CHIP 390	
R045	1-216-057-00	RES, CHIP 2.2K		R327	1-216-295-91	SHORT	0
R047	1-216-025-91	RES, CHIP 100		R328	1-216-295-91	SHORT	0
R048	1-216-025-91	RES, CHIP 100		R329	1-216-295-91	SHORT	0
R053	1-216-057-00	RES, CHIP 2.2K		R330	1-216-043-91	RES, CHIP 560	
R054	1-216-073-00	RES, CHIP 10K		R331	1-216-117-00	RES, CHIP 680K	
R057	1-216-049-91	RES, CHIP 1.0K		R332	1-216-033-00	RES, CHIP 220	
R060	1-216-037-00	RES, CHIP 330		R333	1-216-077-00	RES, CHIP 15K	
R061	1-216-049-91	RES, CHIP 1.0K		R335	1-216-073-00	RES, CHIP 10K	
R062	1-216-057-00	RES, CHIP 2.2K		R336	1-216-057-00	RES, CHIP 2.2K	
R063	1-216-057-00	RES, CHIP 2.2K		R338	1-216-295-91	SHORT	0
R065	1-216-033-00	RES, CHIP 220		R339	1-216-036-00	RES, CHIP 300	
R066	1-216-033-00	RES, CHIP 220		R340	1-216-035-00	RES, CHIP 270	
R068	1-216-025-91	RES, CHIP 100		R341	1-216-049-91	RES, CHIP 1.0K	
R071	1-216-037-00	RES, CHIP 330		R351	1-216-001-00	RES, CHIP 10	
R072	1-216-061-00	RES, CHIP 3.3K		R355	1-216-001-00	RES, CHIP 10	
R076	1-216-025-91	RES, CHIP 100		R356	1-216-049-91	RES, CHIP 1.0K	
R077	1-216-025-91	RES, CHIP 100		R360	1-208-291-11	RES, CHIP 4.7M	
R090	1-216-073-00	RES, CHIP 10K		R403	1-216-021-00	RES, CHIP 68	
R101	1-216-065-00	RES, CHIP 4.7K		R406	1-216-065-00	RES, CHIP 4.7K	
R102	1-216-049-91	RES, CHIP 1.0K		R407	1-216-063-91	RES, CHIP 3.9K	
R113	1-216-081-00	RES, CHIP 22K		R408	1-216-055-00	RES, CHIP 1.8K	
R114	1-216-041-00	RES, CHIP 470		R409	1-216-025-91	RES, CHIP 100	
R115	1-216-081-00	RES, CHIP 22K		R410	1-216-073-00	RES, CHIP 10K	
R116	1-216-081-00	RES, CHIP 22K		R411	1-216-057-00	RES, CHIP 2.2K	
R117	1-216-081-00	RES, CHIP 22K		R412	1-216-069-00	RES, CHIP 6.8K	
R118	1-216-081-00	RES, CHIP 22K		R413	1-216-057-00	RES, CHIP 2.2K	
R119	1-216-055-00	RES, CHIP 1.8K		R414	1-216-041-00	RES, CHIP 470	
R120	1-216-109-00	RES, CHIP 330K		R415	1-216-033-00	RES, CHIP 220	
R131	1-216-464-11	METAL OXIDE	18K 5% 2W F	R416	1-216-033-00	RES, CHIP 220	
R180	1-216-033-00	RES, CHIP 220		R417	1-216-033-00	RES, CHIP 220	
R181	1-216-033-00	RES, CHIP 220		R418	1-216-045-00	RES, CHIP 680	
R182	1-216-033-00	RES, CHIP 220		R419	1-216-049-91	RES, CHIP 1.0K	
R240	1-216-043-91	RES, CHIP 560		R420	1-216-039-00	RES, CHIP 390	
R241	1-164-004-11	CERAMIC CHIP	0.1MF 10% 25V	R421	1-216-033-00	RES, CHIP 220	
R242	1-216-035-00	RES, CHIP 270		R422	1-216-027-00	RES, CHIP 120	
R243	1-216-073-00	RES, CHIP 10K		R423	1-216-029-00	RES, CHIP 150	
R244	1-216-073-00	RES, CHIP 10K		R424	1-216-057-00	RES, CHIP 2.2K	
R245	1-216-069-00	RES, CHIP 6.8K		R425	1-216-039-00	RES, CHIP 390	
R248	1-216-073-00	RES, CHIP 10K		R426	1-216-029-00	RES, CHIP 150	
R250	1-216-077-00	RES, CHIP 15K		R427	1-216-037-00	RES, CHIP 330	
R251	1-216-295-91	SHORT	0	R428	1-216-081-00	RES, CHIP 22K	
R252	1-249-411-11	CARBON	330 5% 1/4W	R429	1-216-039-00	RES, CHIP 390	
R253	1-216-073-00	RES, CHIP 10K		R430	1-216-041-00	RES, CHIP 470	
R254	1-249-389-11	CARBON	4.7 5% 1/4W	R431	1-216-081-00	RES, CHIP 22K	
R265	1-216-065-00	RES, CHIP 4.7K		R432	1-216-041-00	RES, CHIP 470	
R266	1-216-073-00	RES, CHIP 10K		R433	1-216-081-00	RES, CHIP 22K	
R301	1-216-073-00	RES, CHIP 10K		R434	1-216-041-00	RES, CHIP 470	
R302	1-216-063-91	RES, CHIP 3.9K		R435	1-216-041-00	RES, CHIP 470	
R303	1-216-025-91	RES, CHIP 100		R436	1-216-081-00	RES, CHIP 22K	
R304	1-216-025-91	RES, CHIP 100		R437	1-216-081-00	RES, CHIP 22K	
R305	1-216-025-91	RES, CHIP 100		R440	1-216-029-00	RES, CHIP 150	
R306	1-216-025-91	RES, CHIP 100		R521	1-216-049-91	RES, CHIP 1.0K	
R307	1-216-025-91	RES, CHIP 100		R552	1-216-101-00	RES, CHIP 150K	
R308	1-216-033-00	RES, CHIP 220		R553	1-216-081-00	RES, CHIP 22K	
R309	1-216-033-00	RES, CHIP 220		R554	1-163-009-11	CERAMIC CHIP	0.001MF 10% 50V
R310	1-216-097-91	RES, CHIP 100K		R555	1-249-429-11	CARBON	10K 5% 1/4W
R311	1-216-075-00	RES, CHIP 12K		R556	1-216-049-91	RES, CHIP 1.0K	
R312	1-216-025-91	RES, CHIP 100		R557	1-216-055-00	RES, CHIP 1.8K	
R313	1-216-061-00	RES, CHIP 3.3K		R560	1-216-295-91	SHORT	0
R314	1-216-025-91	RES, CHIP 100		R561	1-249-421-11	CARBON	2.2K 5% 1/4W
R315	1-216-295-91	SHORT	0	R562	1-249-419-11	CARBON	1.5K 5% 1/4W
R318	1-216-099-00	RES, CHIP 120K		R563	1-247-885-00	CARBON	180K 5% 1/4W
R319	1-216-123-11	RES, CHIP 1.2M		R564	1-216-091-00	RES, CHIP 56K	
R320	1-216-083-00	RES, CHIP 27K		R565	1-216-091-00	RES, CHIP 56K	
R321	1-216-689-11	METAL CHIP	39K 0.50% 1/10W	R566	1-216-065-00	RES, CHIP 4.7K	
				R569	1-247-883-00	CARBON	150K 5% 1/4W

The components identified by shading and mark Δ are critical for safety.
Replace only with part number specified.



REF. NO.	PART NO.	DESCRIPTION		REMARK	REF. NO.	PART NO.	DESCRIPTION	REMARK
R570	1-216-295-91	SHORT	0		R914	1-216-041-00	RES, CHIP 470	
R571	1-216-033-00	RES, CHIP 220			R1201	1-216-023-00	RES, CHIP 82	
R601	1-202-961-11	CEMENTED	1.8	5%	10W	R1202	1-216-049-91	RES, CHIP 1.0K
R602	1-202-961-11	CEMENTED	1.8	5%	10W	R1203	1-216-089-91	RES, CHIP 47K
R605	1-216-396-11	METAL OXIDE	3.9	5%	3W	R1205	1-216-023-00	RES, CHIP 82
R606	1-215-915-11	METAL OXIDE	470	5%	3W	R1206	1-216-089-91	RES, CHIP 47K
R610	1-215-924-00	METAL OXIDE	15K	5%	3W	R1211	1-216-021-00	RES, CHIP 68
R611	1-202-933-61	FUSIBLE	0.1	10%	1/2W	R1212	1-216-049-91	RES, CHIP 1.0K
R613	1-219-134-11	FUSIBLE	0.1	10%	1/4W	R1215	1-216-113-00	RES, CHIP 470K
R614	1-215-877-11	METAL OXIDE	22K	5%	1W	R1216	1-216-113-00	RES, CHIP 470K
R615	1-249-389-11	CARBON	4.7	5%	1/4W	R1218	1-216-041-00	RES, CHIP 470
R616	Δ 1-218-265-91	METAL	8.2M	5%	1W	R1219	1-216-073-00	RES, CHIP 10K
R617	1-215-924-00	METAL OXIDE	15K	5%	3W	R1220	1-216-049-91	RES, CHIP 1.0K
R619	1-219-134-11	FUSIBLE	0.1	10%	1/4W	R1221	1-216-073-00	RES, CHIP 10K
R622	1-217-192-21	WIREWOUND	0.22	10%	2W	R1227	1-216-689-11	RES, CHIP 39K
R623	1-247-807-31	CARBON	100	5%	1/4W	R1228	1-216-049-91	RES, CHIP 1.0K
R624	1-216-446-00	METAL OXIDE	18	5%	2W	R1229	1-216-041-00	RES, CHIP 470
R625	1-249-424-11	CARBON	3.9K	5%	1/4W	R1230	1-216-073-00	RES, CHIP 10K
R626	1-249-420-11	CARBON	1.8K	5%	1/4W	R1231	1-216-049-91	RES, CHIP 1.0K
R627	1-249-417-11	CARBON	1K	5%	1/4W	R1232	1-216-063-91	RES, CHIP 3.9K
R628	1-249-417-11	CARBON	1K	5%	1/4W	R1233	1-216-057-00	RES, CHIP 2.2K
R629	1-249-399-11	CARBON	33	5%	1/4W	R1235	1-216-689-11	RES, CHIP 39K
R632	1-249-381-11	CARBON	1	5%	1/4W	R1239	1-249-389-11	CARBON 4.7 5% 1/4W F
R636	1-215-924-00	METAL OXIDE	15K	5%	3W	R1240	1-216-025-91	RES, CHIP 100
R801	1-215-920-11	METAL OXIDE	3.3K	5%	3W	R1241	1-216-049-91	RES, CHIP 1.0K
R802	1-249-385-11	CARBON	2.2	5%	1/4W	R1243	1-216-025-91	RES, CHIP 100
R803	1-216-057-00	RES, CHIP 2.2K			R1245	1-216-037-00	RES, CHIP 330	
R804	1-216-049-91	RES, CHIP 1.0K			R1246	1-216-037-00	RES, CHIP 330	
R805	1-216-081-00	RES, CHIP 22K			R1247	1-216-041-00	RES, CHIP 470	
R809	1-247-756-11	CARBON	2.2K	5%	1/2W	R1248	1-216-053-00	RES, CHIP 1.5K
R811	1-216-343-00	METAL OXIDE	0.33	5%	1W	R1249	1-216-044-00	RES, CHIP 620
R812	1-216-075-00	RES, CHIP 12K			R1250	1-216-119-00	RES, CHIP 820K	
R816	1-249-435-11	CARBON	33K	5%	1/4W	R1251	1-216-119-00	RES, CHIP 820K
R820	1-216-655-11	METAL OXIDE	1.5K	0.50%	1/10W	R1252	1-216-061-00	RES, CHIP 3.3K
R821	1-215-911-11	METAL OXIDE	100	5%	2W	R1253	1-216-053-00	RES, CHIP 1.5K
R822	1-216-429-00	METAL OXIDE	270	5%	1W	R1255	1-216-073-00	RES, CHIP 10K
R823	1-249-931-11	CARBON	2.2K	5%	1/4W	R1513	1-216-073-00	RES, CHIP 10K
R825	1-249-392-11	CARBON	8.2	5%	1/4W	R1514	1-216-065-00	RES, CHIP 4.7K
R826	1-216-059-00	RES, CHIP 2.7K			R1515	1-216-025-91	RES, CHIP 100	
R827	1-216-095-00	RES, CHIP 82K						
R828	1-216-063-91	RES, CHIP 3.9K						
R829	1-216-053-00	RES, CHIP 1.5K					<SWITCH>	
R831	1-215-886-11	METAL OXIDE	100	5%	2W	S601	Δ 1-571-433-31	SWITCH, PUSH (AC POWER)
R832	1-216-057-00	RES, CHIP 2.2K			S801	1-572-707-11	SWITCH, LEVER	
R834	1-216-073-00	RES, CHIP 10K			S901	1-571-532-21	SWITCH, TACTIL	
R851	1-249-382-11	CARBON	1.2	5%	1/4W	S902	1-571-532-21	SWITCH, TACTIL
R852	1-249-417-11	CARBON	1K	5%	1/4W	S903	1-571-532-21	SWITCH, TACTIL
R853	1-249-377-11	CARBON	0.47	5%	1/4W	S904	1-571-532-21	SWITCH, TACTIL
R854	1-249-377-11	CARBON	0.47	5%	1/4W	S905	1-571-532-21	SWITCH, TACTIL
R855	1-202-818-00	SOLID	1K	20%	1/2W	S906	1-571-532-21	SWITCH, TACTIL
R856	1-249-429-11	CARBON	10K	5%	1/4W			<SPARK GAP>
R857	1-249-438-11	CARBON	56K	5%	1/4W	SG801	1-519-422-11	GAP, SPARK
R858	1-216-370-11	METAL OXIDE	1.2	5%	2W			<FILTER>
R860	1-247-887-00	CARBON	220K	5%	1/4W	SWF401	1-760-771-11	FILTER, SURFACE WAVE
R881	1-216-043-91	RES, CHIP 560						<TRANSFORMER>
R882	1-216-059-00	RES, CHIP 2.7K						
R883	1-216-121-91	RES, CHIP 1.0M						
R895	1-216-349-00	METAL OXIDE	1	5%	1W			
R898	1-249-421-11	CARBON	2.2K	5%	1/4W			
R902	1-216-065-00	RES, CHIP 4.7K						
R906	1-216-065-00	RES, CHIP 4.7K						
R907	1-216-043-91	RES, CHIP 560				T601	Δ 1-429-137-11	TRANSFORMER, CONVERTER (SRT)
R908	1-216-059-00	RES, CHIP 2.7K				T605	Δ 1-424-682-11	TRANSFORMER, LINE FILTER
R909	1-216-071-00	RES, CHIP 8.2K				T801	1-437-195-11	TRANSFORMER, HORIZONTAL DRIVE
R910	1-216-043-91	RES, CHIP 560				T851	Δ 1-453-250-11	TRANSFORMER ASSY, FLYBACK
R911	1-216-059-00	RES, CHIP 2.7K						(NX-1746/M3A)
R912	1-216-071-00	RES, CHIP 8.2K						
R913	1-216-041-00	RES, CHIP 470						



The components identified by shading and mark Δ are critical for safety.
Replace only with part number specified.

REF. NO.	PART NO.	DESCRIPTION	REMARK
		<THERMISTOR>	
THP601	Δ 1-808-059-32	THERMISTOR, POSITIVE	
		<TUNER>	
TU101	Δ 8-598-323-00	TUNER (BT-AG401)	
		<CRYSTAL>	
X101	1-577-358-21	VIBRATOR, CERAMIC	
X300	1-411-752-11	COIL	
X358	1-567-505-11	OSCILLATOR, CRYSTAL	
X443	1-567-504-11	OSCILLATOR, CRYSTAL	

	* A-1331-749-A	C BOARD, COMPLETE (KV-G14L2J)	

		<CAPACITOR>	
C702	1-136-601-11	FILM 0.01MF 10% 630V	
C704	1-107-651-11	ELECT 4.7MF 20% 250V	
C705	1-102-116-00	CERAMIC 680PF 10% 50V	
C706	1-102-116-00	CERAMIC 680PF 10% 50V	
C707	1-102-117-00	CERAMIC 820PF 10% 50V	
C708	1-102-116-00	CERAMIC 680PF 10% 50V	
C712	1-102-114-00	CERAMIC 470PF 10% 50V	
C713	1-102-115-00	CERAMIC 560PF 10% 50V	
C716	1-102-106-00	CERAMIC 100PF 10% 50V	
		<CONNECTOR>	
CN701	1-695-915-11	TAB (CONTACT)	
CN703	* 1-564-509-11	PLUG, CONNECTOR 6P	
CN704	* 1-508-766-00	PIN, CONNECTOR (5mm PITCH) 4P	
		<DIODE>	
D701	8-719-991-33	DIODE 1SS133T-77	
D702	8-719-991-33	DIODE 1SS133T-77	
D703	8-719-991-33	DIODE 1SS133T-77	
D705	1-102-106-00	CERAMIC 100PF 10% 50V	
D712	8-719-991-33	DIODE 1SS133T-77	
D713	8-719-991-33	DIODE 1SS133T-77	
D714	8-719-991-33	DIODE 1SS133T-77	
		<JACK>	
J701	Δ 1-251-192-11	SOCKET, PICTURE TUBE	
		<TRANSISTOR>	
Q701	8-729-200-17	TRANSISTOR 2SA1091-O	
Q702	8-729-200-17	TRANSISTOR 2SA1091-O	
Q703	8-729-200-17	TRANSISTOR 2SA1091-O	
Q704	8-729-326-11	TRANSISTOR 2SC2611	
Q705	8-729-326-11	TRANSISTOR 2SC2611	
Q706	8-729-326-11	TRANSISTOR 2SC2611	
		<RESISTOR>	
R701	1-260-133-11	CARBON 680K 5% 1/2W	
R702	1-260-123-11	CARBON 100K 5% 1/2W	
R703	1-260-135-11	CARBON 1M 5% 1/2W	
R705	1-260-079-11	CARBON 22 5% 1/2W	
R706	1-260-105-11	CARBON 3.3K 5% 1/2W	

REF. NO.	PART NO.	DESCRIPTION	REMARK
R707	1-260-105-11	CARBON 3.3K 5%	1/2W
R708	1-260-105-11	CARBON 3.3K 5%	1/2W
R709	1-215-899-11	METAL OXIDE 15K 5%	2W F
R711	1-215-899-11	METAL OXIDE 15K 5%	2W F
R713	1-215-899-11	METAL OXIDE 15K 5%	2W F
R714	1-247-807-31	CARBON 100 5%	1/4W
R717	1-215-409-00	METAL 330 1%	1/4W
R718	1-249-409-11	CARBON 220 5%	1/4W F
R719	1-247-807-31	CARBON 100 5%	1/4W
R720	1-216-346-00	METAL OXIDE 0.56 5%	1W F
R722	1-215-411-00	METAL 390 1%	1/4W
R725	1-249-409-11	CARBON 220 5%	1/4W F
R726	1-215-479-00	METAL 270K 1%	1/4W
R727	1-215-487-00	METAL 560K 1%	1/4W
R728	1-215-479-00	METAL 270K 1%	1/4W
R730	1-247-807-31	CARBON 100 5%	1/4W
R731	1-249-409-11	CARBON 220 5%	1/4W F
R732	1-215-411-00	METAL 390 1%	1/4W
R733	1-247-791-91	CARBON 22 5%	1/4W
R734	1-247-791-91	CARBON 22 5%	1/4W
R735	1-247-791-91	CARBON 22 5%	1/4W
R749	1-249-424-11	CARBON 3.9K 5%	1/4W
R750	1-249-424-11	CARBON 3.9K 5%	1/4W
R751	1-249-424-11	CARBON 3.9K 5%	1/4W
		<VARIABLE RESISTOR>	
RV701	1-230-641-11	RES, ADJ, METAL GLAZE 2.2M	
RV703	1-230-641-11	RES, ADJ, METAL GLAZE 2.2M	

	* A-1331-748-A	C BOARD, COMPLETE (KV-G21M2J)	

	4-382-854-11	SCREW (M3X10), P, SW (+)	
		<CAPACITOR>	
C701	1-162-114-00	CERAMIC 0.0047MF	2KV
C702	1-102-074-00	CERAMIC 0.001MF 10%	50V
C703	1-107-651-11	ELECT 4.7MF 20%	250V
C704	1-130-202-00	FILM 0.022MF 5%	400V
C708	1-102-114-00	CERAMIC 470PF 10%	50V
C709	1-102-114-00	CERAMIC 470PF 10%	50V
C710	1-102-114-00	CERAMIC 470PF 10%	50V
C712	1-102-116-00	CERAMIC 680PF 10%	50V
C713	1-102-116-00	CERAMIC 680PF 10%	50V
C714	1-102-116-00	CERAMIC 680PF 10%	50V
C716	1-126-968-11	ELECT 100MF 20%	50V
C717	1-101-880-00	CERAMIC 47PF 5%	50V
C736	1-102-114-00	CERAMIC 470PF 10%	50V
C737	1-102-114-00	CERAMIC 470PF 10%	50V
C746	1-102-114-00	CERAMIC 470PF 10%	50V
		<CONNECTOR>	
CN701	* 1-508-766-00	PIN, CONNECTOR (5mm PITCH) 4P	
CN703	* 1-564-509-11	PLUG, CONNECTOR 6P	
CN704	1-695-915-11	TAB (CONTACT)	
		<DIODE>	
D701	8-719-911-19	DIODE 1SS119-25	
D702	8-719-911-19	DIODE 1SS119-25	
D703	8-719-911-19	DIODE 1SS119-25	
D707	8-719-911-19	DIODE 1SS119-25	
D708	8-719-911-19	DIODE 1SS119-25	
D709	8-719-911-19	DIODE 1SS119-25	

The components identified by shading and mark Δ are critical for safety.
Replace only with part number specified.



REF. NO.	PART NO.	DESCRIPTION	REMARK
D710	8-719-911-19	DIODE 1SS119-25	
D711	8-719-911-19	DIODE 1SS119-25	
D712	8-719-911-19	DIODE 1SS119-25	
D716	8-719-911-19	DIODE 1SS119-25	
D717	8-719-121-24	DIODE RD9.1ESL	
<JACK>			
J701	Δ 1-251-239-11	SOCKET, PICTURE TUBE	
<COIL>			
L701	1-410-667-31	INDUCTOR 22UH	
<TRANSISTOR>			
Q704	8-729-326-11	TRANSISTOR 2SC2611	
Q705	8-729-326-11	TRANSISTOR 2SC2611	
Q706	8-729-326-11	TRANSISTOR 2SC2611	
Q707	8-729-200-17	TRANSISTOR 2SA1091-O	
Q708	8-729-200-17	TRANSISTOR 2SA1091-O	
Q709	8-729-200-17	TRANSISTOR 2SA1091-O	
Q710	8-729-119-78	TRANSISTOR 2SC2785-HFE	
Q711	8-729-119-78	TRANSISTOR 2SC2785-HFE	
Q712	8-729-119-78	TRANSISTOR 2SC2785-HFE	
<RESISTOR>			
R702	1-244-941-00	CARBON 680K	5% 1/2W
R703	1-249-496-11	CARBON 100K	5% 1/2W
R705	1-216-393-00	METAL OXIDE 2.2	5% 3W F
R710	1-215-922-11	METAL OXIDE 6.8K	5% 3W F
R711	1-247-762-11	CARBON 6.8K	5% 1/2W
R712	1-215-922-11	METAL OXIDE 6.8K	5% 3W F
R713	1-247-762-11	CARBON 6.8K	5% 1/2W
R714	1-215-922-11	METAL OXIDE 6.8K	5% 3W F
R715	1-247-762-11	CARBON 6.8K	5% 1/2W
R719	1-215-480-00	METAL 300K	1% 1/4W
R720	1-249-923-11	CARBON 1K	5% 1/4W F
R721	1-215-489-00	METAL 680K	1% 1/4W
R722	1-249-923-11	CARBON 1K	5% 1/4W F
R723	1-215-479-00	METAL 270K	1% 1/4W
R724	1-249-923-11	CARBON 1K	5% 1/4W F
R725	1-249-419-11	CARBON 1.5K	5% 1/4W
R726	1-249-419-11	CARBON 1.5K	5% 1/4W
R727	1-249-419-11	CARBON 1.5K	5% 1/4W
R728	1-249-407-11	CARBON 150	5% 1/4W
R729	1-249-408-11	CARBON 180	5% 1/4W
R730	1-249-408-11	CARBON 180	5% 1/4W
R731	1-249-399-11	CARBON 33	5% 1/4W
R732	1-249-399-11	CARBON 33	5% 1/4W
R733	1-249-399-11	CARBON 33	5% 1/4W
R734	1-247-739-11	CARBON 100	5% 1/2W
R738	1-247-807-31	CARBON 100	5% 1/4W
R739	1-247-807-31	CARBON 100	5% 1/4W
R740	1-247-807-31	CARBON 100	5% 1/4W
R755	1-249-418-11	CARBON 1.2K	5% 1/4W
R756	1-249-418-11	CARBON 1.2K	5% 1/4W
R757	1-249-418-11	CARBON 1.2K	5% 1/4W
<VARIABLE RESISTOR>			
RV701	1-230-641-11	RES, ADJ, METAL GLAZE 2.2M	

REF. NO.	PART NO.	DESCRIPTION	REMARK
MISCELLANEOUS *****			
	Δ 1-409-942-11	COIL, DEMAGNETIZATION (G21M2J)	
	Δ 1-426-145-00	COIL, DEGAUSSING (G14L2J)	
	1-452-032-00	MAGNET, DISK ; 10mm ϕ	
	1-452-277-00	MAGNET, BMC	
	1-505-547-11	SPEAKER (5X9CM) (G14L2J)	
	1-505-740-11	SPEAKER (5X9CM) (G21M2J)	
	1-569-008-11	ADAPTOR, CONVERSION 2P	
	Δ 1-574-062-61	CORD, POWER (WITH CONNECTOR)	2.5A/250V
	1-574-062-11	CORD, CONNECTOR WITH POWER	
	Δ 8-451-481-21	DEFLECTION YOKE (Y14NDA2) (G14L2J)	
	Δ 8-451-280-33	DEFLECTION YOKE (Y21PXA2) (G21M2J)	
	Δ 8-735-562-05	PICTURE TUBE (A34JBU70X) (G14L2J)	
	Δ 8-738-774-05	PICTURE TUBE (A51JUH71X) (G21M2J)	

ACCESSORIES AND PACKING MATERIALS

3-701-910-00	SCREW, SPECIAL (DIA. 3.8X20) (G21M2J)
4-392-004-01	CLIP (G21M2J)
1-417-154-11	MATCHING TRANSFORMER, ANTENNA
1-417-151-21	MATCHING TRANSFORMER, ANTENNA
1-569-008-11	ADAPTOR, CONVERSION 2P
3-861-471-11	MANUAL, INSTRUCTION
4-392-003-01	BAND, HOLD (G21M2J)
1-501-372-81	ANTENNA, TELESCOPIC
1-501-730-11	ANTENNA, TELESCOPIC
1-501-730-41	ANTENNA, TELESCOPIC
* 4-062-210-01	INDIVIDUAL CARTON (G21M2J)
* 4-062-219-01	INDIVIDUAL CARTON (G14L2J)
* 4-062-211-01	CUSHION (UPPER) (ASSY) (G21M2J)
* 4-062-212-01	CUSHION (LOWER) (ASSY) (G21M2J)
* 4-062-220-01	CUSHION (UPPER) (ASSY) (G14L2J)
* 4-062-221-01	CUSHION (LOWER) (ASSY) (G14L2J)
* 4-377-015-01	BAG, PROTECTION (G14L2J)
* 4-380-432-21	BAG, PROTECTION (G21M2J)

REMOTE COMMANDER

1-475-358-12	REMOTE COMMANDER (RM-869)
9-939-697-01	POCKET, COVER (FOR RM-869)

