

## 4. PROGRAMMING AND LISTS

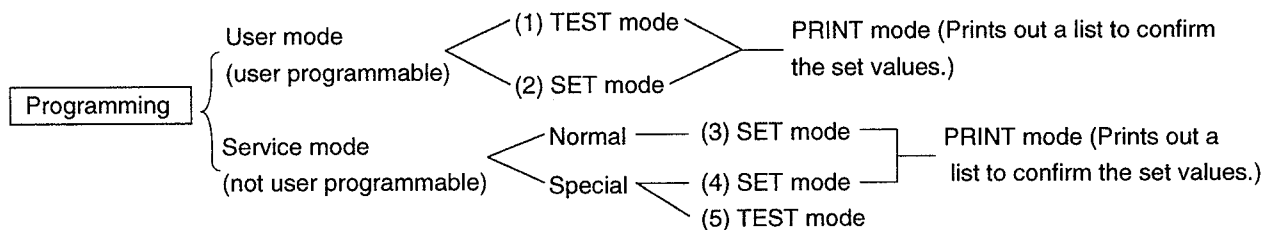
The programming functions are used to program the various features and functions of the machine, and to test the machine. Programming can be done in both the on-hook and off-hook conditions. This facilitates communication between the user and the service while programming the machine.

TROUBLESHOOTING GUIDE

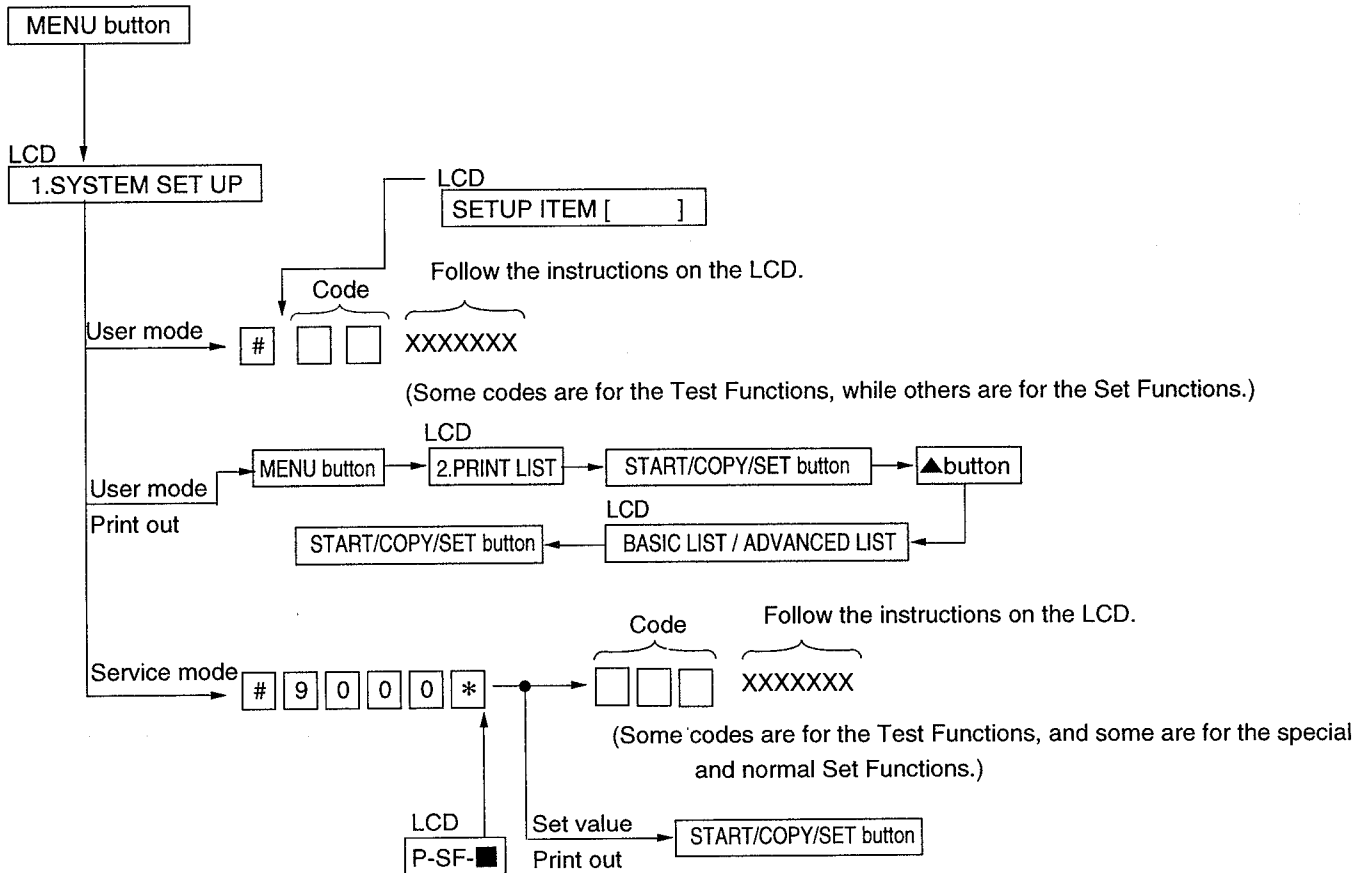
### 4-1. OPERATION

There are 2 basic categories of programming functions, the User Mode and the Service Mode. The Service Mode is further broken down into the normal and special programs. The normal programs are those listed in the Operating instructions and are available to the user. The special programs are only those listed here and not displayed to the user. In both the User and Service Modes, there are Set Functions and Test Functions. The Set Functions are used to program various features and functions, and the Test Functions are used to test the various functions. The Set Functions are accessed by entering their code, changing the appropriate value, then pressing the SET key. The Test Functions are accessed by entering their code and pressing the key listed on the menu. While programming, to cancel any entry, press the STOP key.

### 4-2. OPERATION FLOW



#### Operating Procedure



**KX-FT46BX****4-3. USER MODE (The list below is an example of the SYSTEM SETUP LIST the unit prints out.)****BASIC FEATURE LIST**

NO.	FEATURE	CURRENT SETTING	
#01	SET DATE & TIME	JAN. 01 1999 12:00AM	
#02	YOUR LOGO		
#03	YOUR TELEPHONE NUMBER		
#04	PRINT TRANSMISSION REPORT	ERROR	[ERROR, ON, OFF]
#05	AUTO RECEIVE MODE	TAD/FAX	[TAD/FAX, FAX ONLY]
#06	TAD/FAX RING COUNT	1	[1...4, TOLL SAVER, RINGER OFF]
#07	FAX RING COUNT	1	[1...4]
#08	MANUAL RECEIVE MODE	TEL	[TEL, TEL/FAX]
#09	TEL/FAX DELAYED RING	1	[1...4]
#10	RECORDING TIME	VOX	[VOX, 1MIN]
#11	REMOTE TAD ID	ID = 111	

Code → (points to #09)

Set Value → (points to ID = 111)

**ADVANCED FEATURE LIST**

NO.	FEATURE	CURRENT SETTING	
#22	JOURNAL AUTO PRINT	ON	[ON, OFF]
#23	OVERSEAS MODE	OFF	[ON, OFF]
#25	DELAYED SEND	OFF	[ON, OFF]
		DESTINATION =	
		START TIME = 12:00AM	
#30	SILENT FAX RECOGNITION RING	3	[3...9]
#31	RING DETECTION	OFF	[A, B, C, D, OFF]
#39	LCD CONTRAST	NORMAL	[NORMAL, LIGHT, DARKER]
#41	FAX ACTIVATION CODE	ON	[ON, OFF]
		CODE = *9	
#42	MESSAGE ALERT	OFF	[ON, OFF]
#43	REC. TIME ALERT	OFF	[ON, OFF]
#46	FRIENDLY RECEPTION	ON	[ON, OFF]
#47	FAX VOICE GUIDANCE	ON	[ERROR, ON, OFF]
#54	GREETING MSG. RECORDING TIME	16s	[16s, 60s]
NOTE: If you change from 60sec. to 16sec. your-greeting_will be erased and your new greeting will be limited to 16 seconds.			
#58	ORIGINAL SETTING	NORMAL	[NORMAL, LIGHT, DARKER]
#60	MESSAGE TRANSFER	OFF	[MESSAGE, PAGER, OFF]
#61	TRANSFER GREETING	CHECK	[CHECK, RECORD, ERASE]
#67	ICM MONITOR	ON	[ON, OFF]
#70	FAX PAGER	OFF	[ON, OFF]
		DESTINATION =	
#76	CONNECTING TONE	ON	[ON, OFF]
#80	SET DEFAULT		

Code → (points to #25)

Set Value → (points to ON under #80)

**Note:**

The above values are the default values.

4-4. SERVICE FUNCTION TABLE

Code	Function	Set Value	Effective Range	Default	Remarks
501	Setting the pause time	001~600 X 100 msec	001~600	05000 msec	Selects the pause time in 100 msec steps.
502	Setting the flash recall time	01~99 X 10 msec	01~99	700 msec	Selects the line break time during flashing in 10 msec steps.
503	Setting the pulse dial speed	1:10pps 2:20pps	1, 2	10 pps	Sets the pulse dial speed.
510	VOX time	1:6 sec 2:4 sec	1, 2	6 sec	Setting of the end of call confirmation time by VOX.
520	Setting the CED frequency	1:2100Hz 2:1100Hz	1, 2	2100 Hz	When international communications cannot be performed smoothly select 1100Hz. However some exchange system should not be accepted (1100Hz on CED). (See page 43)
521	Setting the international line mode	1:ON 2:OFF	1, 2	ON	Selects the international line mode during FAX communication. (See page 43)
522	Setting the return to default mode	1:ON 2:OFF	1, 2	ON	Set the resolution and contrast conditions for FAX or copy to the default settings.
523	Receive equalizer select	1:0km 2:1.8km 3:3.6km 4:7.2km	1~4	0km	When the telephone station is far from the unit or reception cannot be performed correctly, adjust accordingly.
524	Transmission equalizer select	1:0km 2:1.8km 3:3.6km 4:7.2km	1~4	1.8km	When the telephone station is far from the unit or reception cannot be performed correctly, adjust accordingly.
533	Setting the number of time that message transfer is redialed	00~99	00~99	3 times	Selects the number of times that message transfer is redialed (not including the first dialing).
534	Setting the message transfer/paper call redial interval	001~999 sec	001~999	30 sec	Sets the interval of message transfer/pager call redial.
544	Selecting the document feed position	01~99 step	00~99	---	When the ADF function is incorrect, adjust the feed position. (8 step = 1mm)
550	Memory clear				Press "START/COPY/SET".
551	ROM version and sum check				Press "START/COPY/SET".
553	Setting the FAX monitor function	1: OFF 2:PHASE B 3:ALL	1, 2, 3	OFF	Sets whether to monitor the line signal with the unit's speaker during FAX communication or not.
554	Modem test				Press "START".
555	Scanner test				Press "START".
556	Motor test				Press "START".
557	LED test				Press "START".
558	LCD test				Press "START".
559	Setting the document jam detection	1:ON 2:OFF	1, 2	ON	Selects the jam detection of a document during FAX transmission/copying.

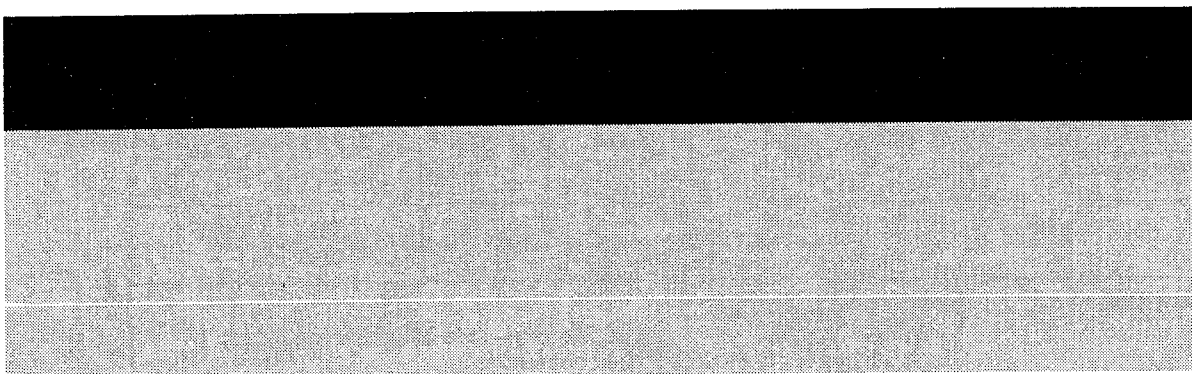
TROUBLESHOOTING GUIDE

**KX-FT46BX**

Code	Function	Set Value	Effective Range	Default	Remarks
560	Cutter selection	1:ON 2:OFF	1, 2	ON	Turns OFF the cutter function.
561	KEY test				Press any key.
562	Cutter test				Press "START" key. [Refer to Test function]
563	CCD position adjustment value set	00~30 X 1 mm	00~30	----	Lets you select the correction value for the scanner to align the image.
570	Setting the % break	1:61% 2:67%	1, 2	61%	Sets the % break of pulse dialing.
571	Setting the number of times that ITS is redialed	00~99	00~99	14 times	Selects the number of times that ITS is redialed (not including the first dial).
572	Setting the ITS redial interval	001~999 sec	001~999	30 sec	Sets the interval of ITS redialing.
573	Setting of number of rings for REMOTE TURN ON	01~99	01~99	15 times	Sets the number of rings before the unit starts to receive a document in the TEL mode.
580	TAM continuous tone detection	1:ON 2:OFF	1, 2	ON	ON: Stops TAM operation when Dial tone, etc. are detected.
590	Setting the number of FAX redial times	00~99	00~99	5 times	Selects the number of redial times during FAX communication (not including the first dial).
591	Setting the FAX redial interval	001~999 sec	001~999	045 sec	Sets the FAX redial interval during FAX communication.
592	Designation of CNG sending	1: OFF 2: ALL 3: AUTO	1, 2, 3	ALL	Lets you select the CNG output during FAX transmission. ALL: CNG is output at phase A. AUTO: CNG is output only when automatic dialing is performed. OFF: CNG is not output at phase A.
593	Setting the interval between CED and the 300 bps signal	1: 75 msec 2:500 msec 3:1000 msec	1, 2, 3	75 msec	Sets the interval between the CED signal and subsequent 300 bps signal. (See page 43)
594	Setting the overseas DIS detection	1: Detects on the 1st time. 2: Detects on the 2nd time.	1, 2	Detects on the 1st time.	Sets the recognition format of the DIS signal. 1:Detects the first DIS signal sent from the receiver during FAX transmission. 2:Ignores the first DIS signal sent from the receiver during FAX transmission. (See page 43)
595	Setting an acceptable reception error value	001~999 X number of times	001~999	100	Sets the number of acceptable error lines when the FAX reconstructs the received data.
596	Setting the transmit level	- 15~00	- 15~00	- 10 dBm	Selects the FAX transmission level.
598	Receiving Sensitivity	- 43dBm	20~48	43	See page 43.

Code	Function	Set Value	Effective Range	Default	Remarks
717	Transmit speed select	1:9600BPS 2:7200BPS 3:4800BPS 4:2400BPS	1~4	9600 BPS	Adjusts the speed to start training during FAX transmission.
718	Receive speed select	1:9600BPS 2:7200BPS 3:4800BPS 4:2400BPS	1~4	9600 BPS	Adjusts the speed to start training during FAX reception.
719	Ringer off in TEL/FAX mode	1:ON 2:OFF	1, 2	ON	Sets the ringer switch off when a call is received in the TEL/FAX mode.
721	Pause tone detect	1:ON 2:OFF	1, 2	ON	Selects the tone detection for pauses in dialing.
722	Redial tone detect	1:ON 2:OFF	1, 2	ON	Selects the tone detection mode after redialing.
731	CPC mode	1:A 2:B 3:OFF	1, 2, 3	A	Set the CPC signal detection mode from the converter.
732	AUTO disconnect	1:350 ms 2:1.8 sec 3:OFF	1, 2, 3	350 ms	Selects the start time detection of auto disconnect.
763	CNG detect time	1:10 sec 2:20 sec 3:30 sec	1, 2, 3	20 sec	Selects the CNG detection time of friendly reception.
771	T1 timer	1:35 sec 2:60 sec	1, 2	35 sec	Sets a higher value when the response from the other party needs more time during FAX transmission.
775	Monitoring of message transfer	1:ON 2:OFF	1, 2	2	If set to ON a message can be monitored from this unit's SP-PHONE when transferring a message.
784	Voice prompt test				You can hear the voice prompt from speaker after pressing "START" key.
815	Sensor check				Press "START".
844	Original setting	1:NORMAL 2:LIGHT 3:DARKER	1, 2, 3	NORMAL	Use this feature when you need to transmit and copy a document with very faint writing or very dark writing.
890	TEL/FAX ring back tone	1:ON 2:OFF	1, 2	1	Selects whether the TEL/FAX 1st ring back tone is ON or OFF in the TEL/FAX mode.

Printer test list



**KX-FT46BX**

**4-5. SERVICE MODE SETTING VALUES (Example of a printed out list)**

**SERVICE DATA LIST**

Code	Set Value	
501 PAUSE TIME	= 050*100ms	[001...600]*100ms
502 FLASH TIME	= 70*10ms	[01...99]*10ms
503 DIAL SPEED	= 10pps	[1=10 2=20]pps
510 VOX TIME	= 6sec	[1=6 2=4]sec
520 CED FREQ.	= 2100Hz	[1=2100 2=1100]Hz
521 INTL. MODE	= ON	[1=ON 2=OFF]
522 AUTO STANDBY	= ON	[1=ON 2=OFF]
523 RCV EQL.	= 0.0Km	[1=0.0 2=1.8 3=3.6 4=7.2]Km
524 SND EQL.	= 1.8Km	[1=0.0 2=1.8 3=3.6 4=7.2]Km

**SPECIAL SERVICE SETTING**

Code	533	534	544	553	559	560	563	570	571	572	573	580	590
	03	030	50	1	1	1	15	1	14	030	15	1	05
	Set Value												
	591	592	593	594	595	596	598	717	718	719	721	722	731
	045	2	1	1	100	10	43	1	1	1	1	1	1
	732	763	771	775	844								
	1	2	1	2	1								

**Note:**  
The above values are the default values.

**[ HISTORY ]**

1. DATE  
SEP. 29 1998 12:01AM  
TIME=00000 HOURS
2. KEY OPERATION  
1st. 50:  
04 05 3C 3A 31 04 3A 39 32 39 04 04 39 3A 3A 3A 3B 04 00 00 00 00 00 00 00  
00  
LAST 50:  
00  
00 00
3. NUMBER OF COPY  
=00000
4. NUMBER OF RX  
=00000
5. NUMBER OF TX  
=00000

YOUR LOGO  
YOUR TELEPHONE NUMBER

**4.6 OTHER**

**[HISTORY]**

No.	Display	Function
1	DATE	Date and time which are set by a user for the first time after purchase. TIME is the expiration from the first power on after purchase.
2	KEY OPERATION	Indicate 2-digit codes. 1st.50: History of the key operation from 1st to 50th after purchase. Last.50: History of the last 50 key operations.
3	NUMBER of COPY	The number of pages copied.
4	NUMBER of RX	The number of pages received.
5	NUMBER of TX	The number of pages sent.