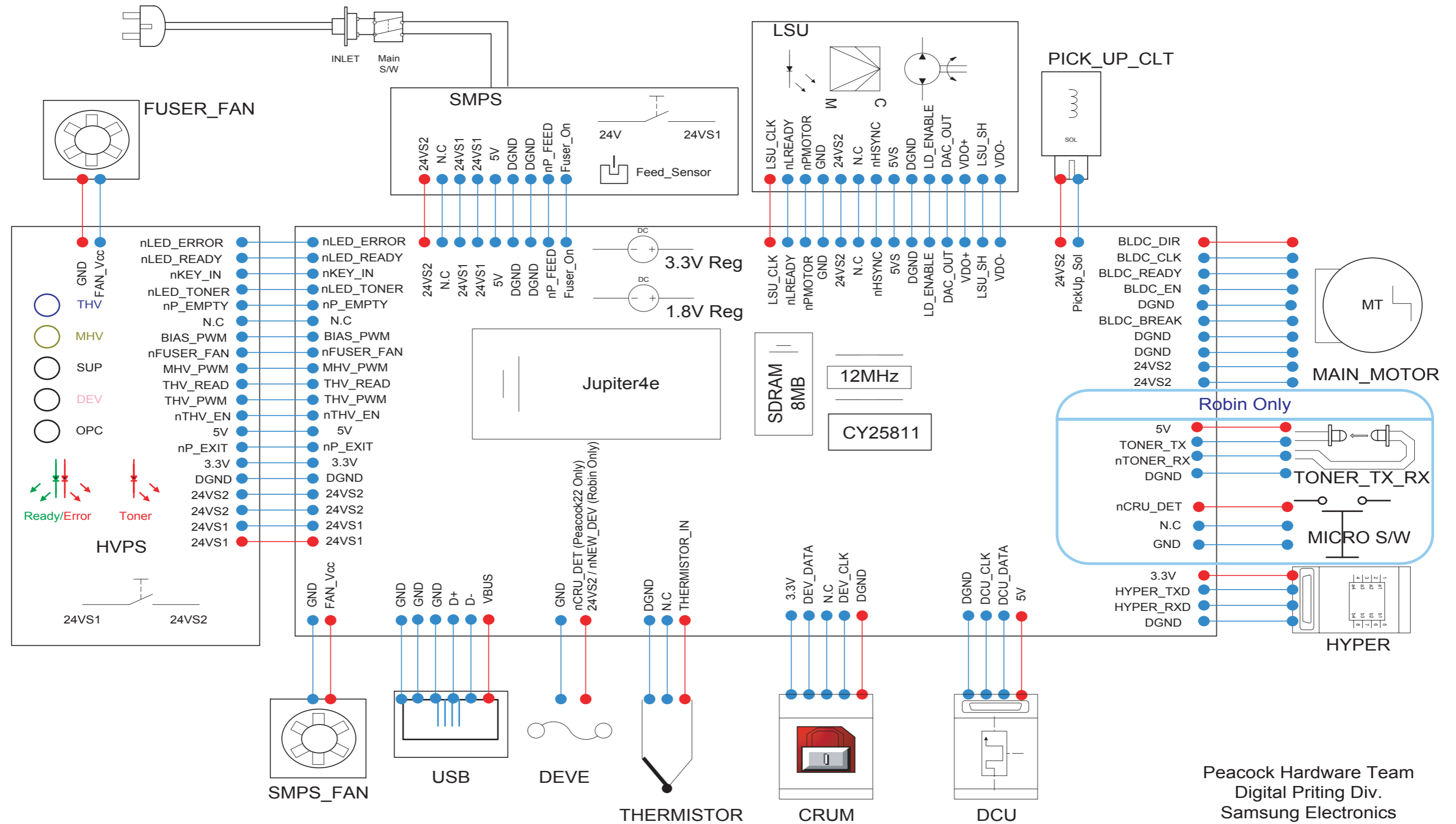


## 6. System Diagram

Block / Connection Diagram\_Peacock22 / Robin



Peacock Hardware Team  
Digital Priting Div.  
Samsung Electronics  
Jan.21.2008