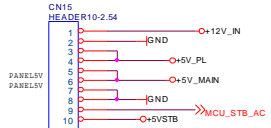
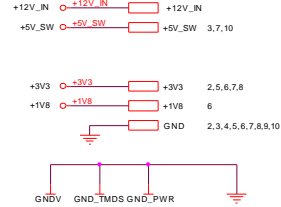
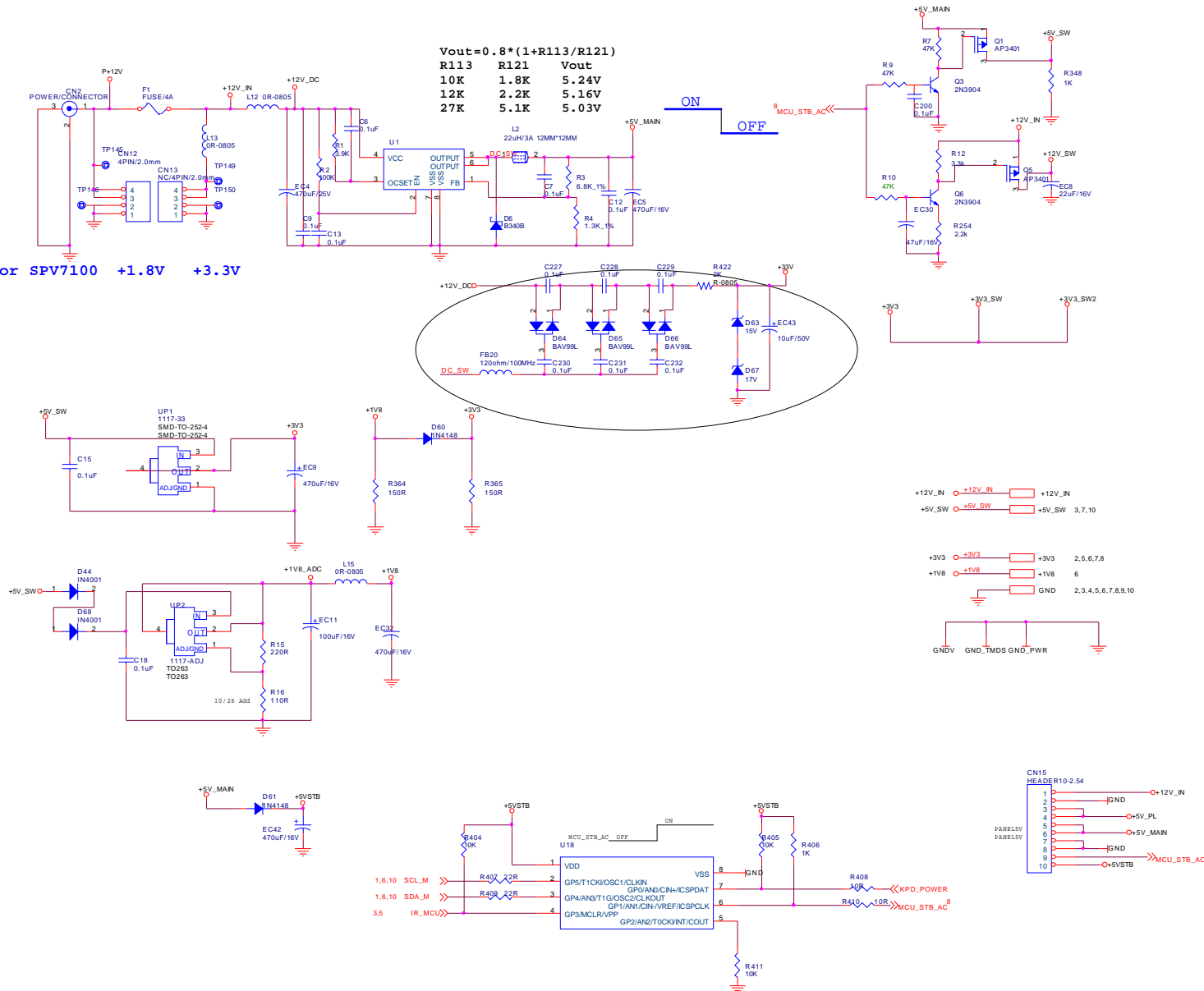


$$V_{out} = 0.8 * (1 + R_{113} / R_{121})$$

R113	R121	Vout
10K	1.8K	5.24V
12K	2.2K	5.16V
27K	5.1K	5.03V

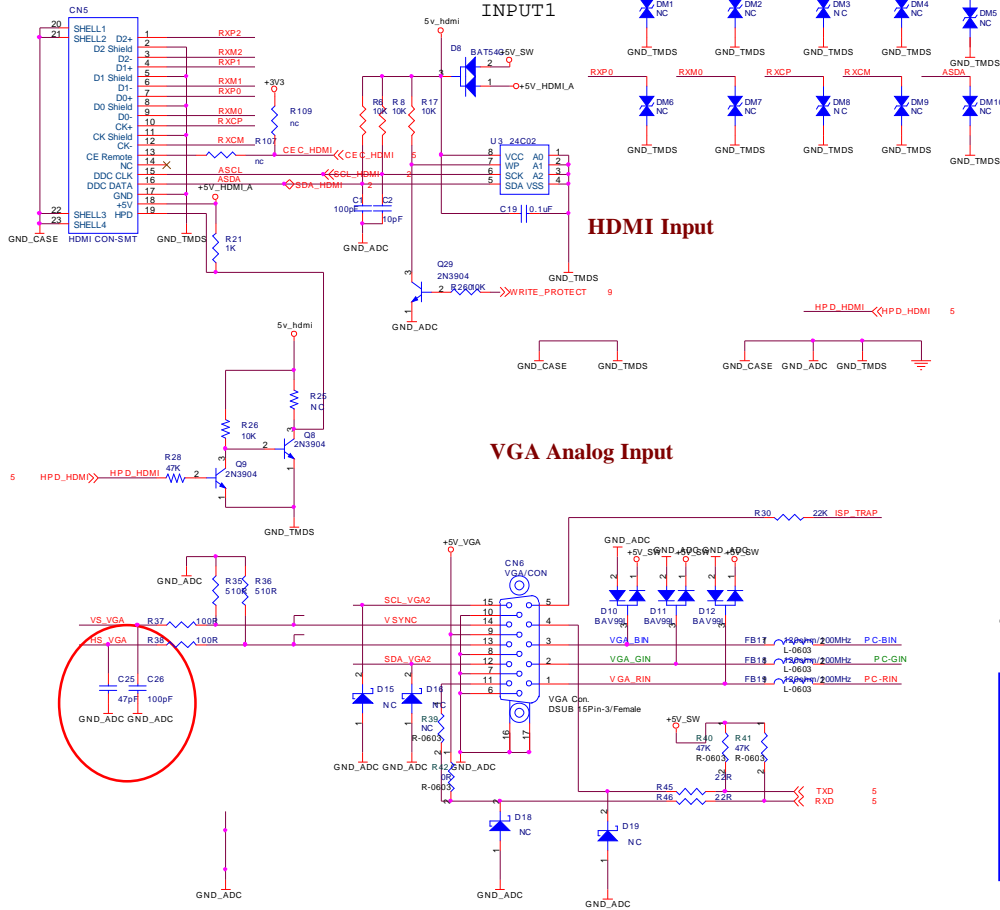
For SPV7100 +1.8V +3.3V



SUNPLUS-PROF	
Title: 01: System Power	
Size: C	Document Number: SZ21C_V2
Date: Tuesday, October 06, 2020	Rev: 1.0
Sheet: 1	of 1

EDID Default: NOT write protect

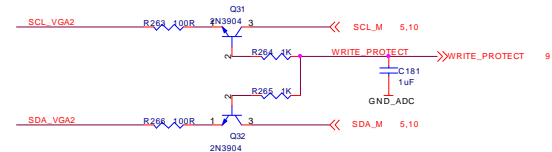
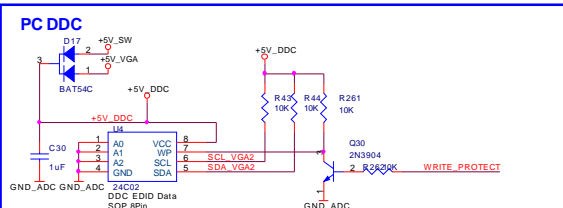
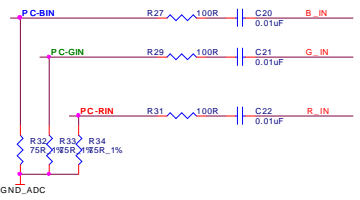
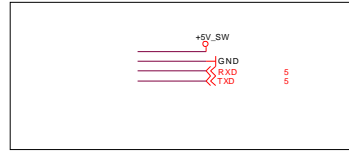
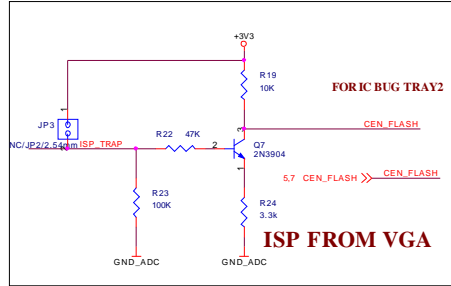
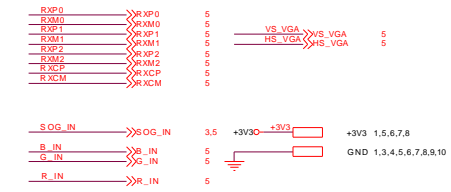
Layout Note
differential impedance 100ohm



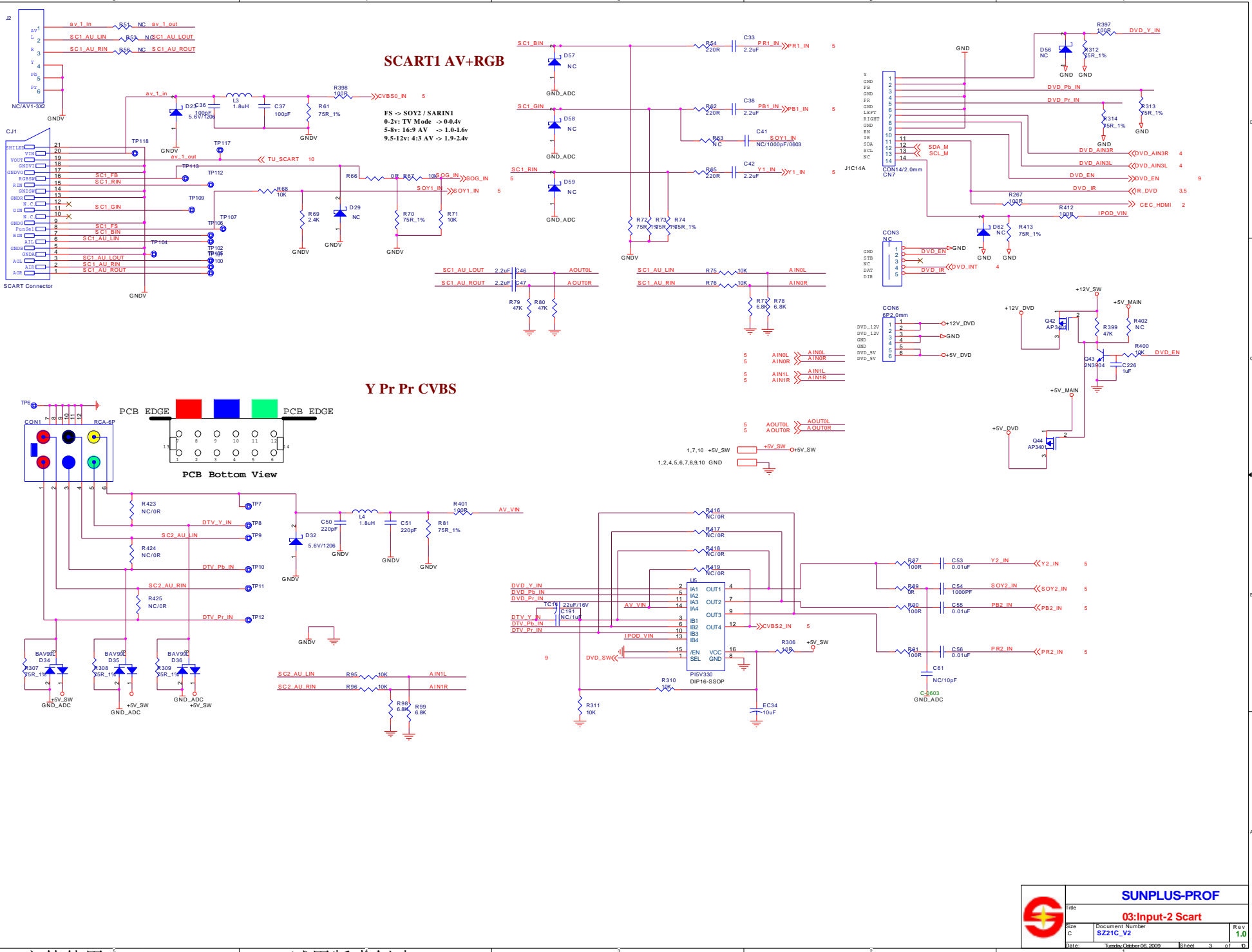
INPUT1

HDMI Input

VGA Analog Input



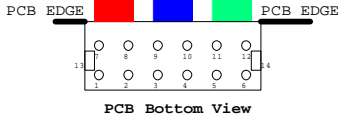
		Title	
		S221C_V2	
Size	Document Number	Rev	
C	S221C_V2	1.0	
Date:	Tuesday, September 17, 2009	Sheet	2 of 10



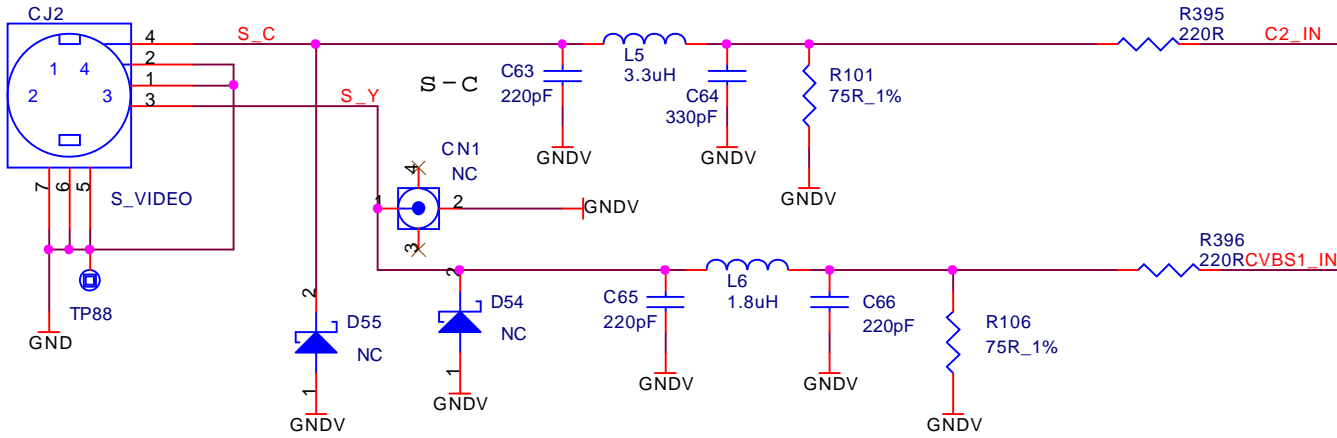
SCART1 AV+RGB

FS -> SOY2 / SARIN1
 0-2v: TV Mode -> 0-0.4v
 5-8v: 16:9 AV -> 1.0-1.6v
 9.5-12v: 4:3 AV -> 1.9-2.4v

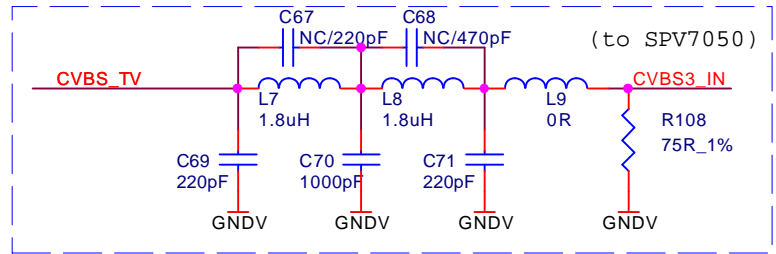
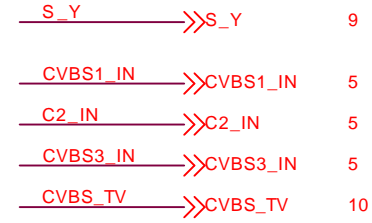
Y Pr Pr CVBS



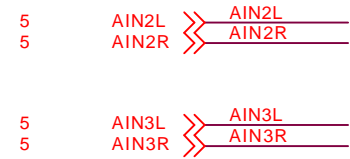
	SUNPLUS-PROF	
	03:Input-2 Scart	
	Size C Document Number SZ21C_V2	Rev 1.0
Date: Tuesday, October 06, 2009		Sheet: 3 of 10



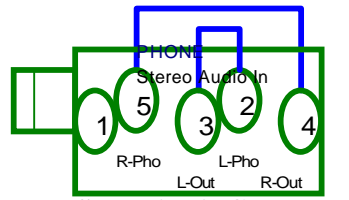
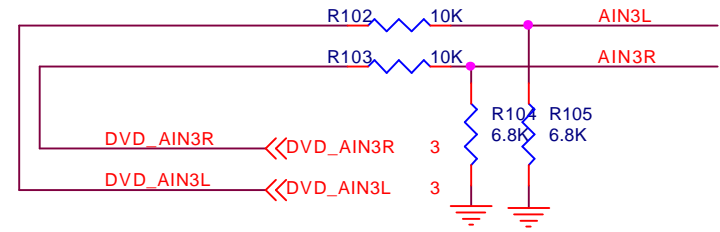
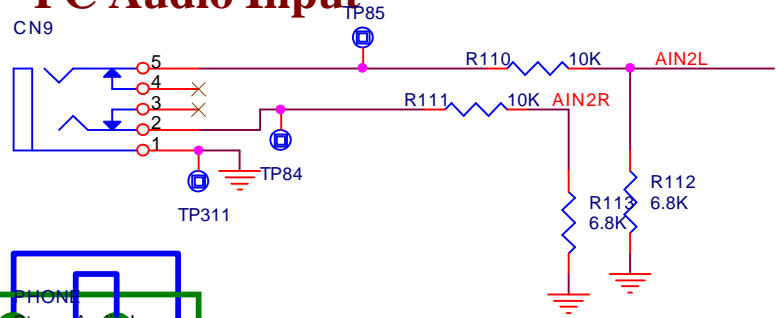
Tuner Input



These components close to SPV7100



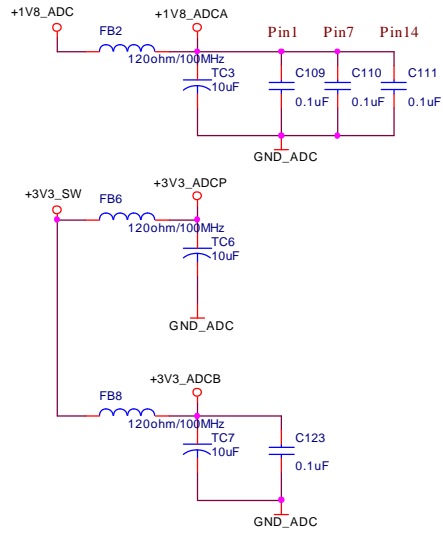
PC Audio Input



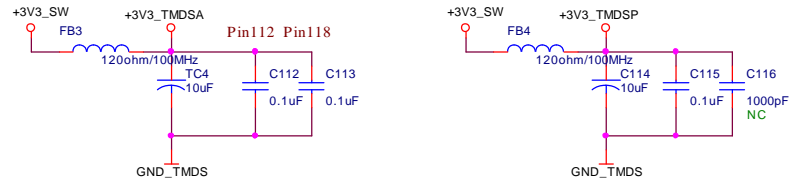
Stereo Audio Connector Top Diagram

	SUNPLUS-PROF	
	05:Input-3 SVideo&Audio in	
Size A	Document Number SZ21C_V2	Rev 1.0
Date:	Thursday, September 17, 2009	Sheet 4 of 10

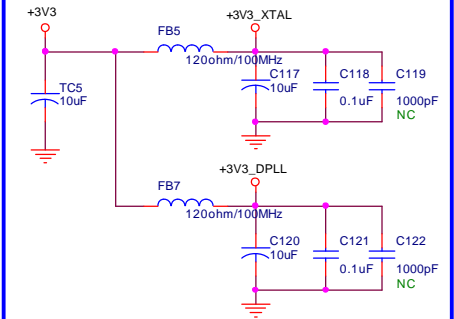
ADC POWER/GND (1.8V/3.3V)



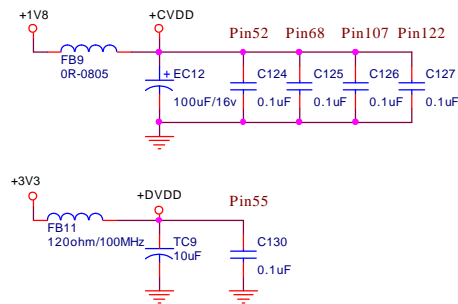
TMDS POWER/GND (1.8V/3.3V)



XTAL POWER/GND (3.3V)

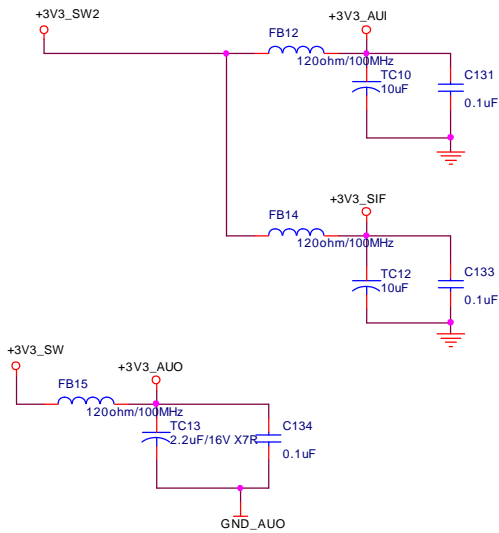


SOURCE POWER/GND (1.8V/3.3V)



FB52-53 add for current measure only

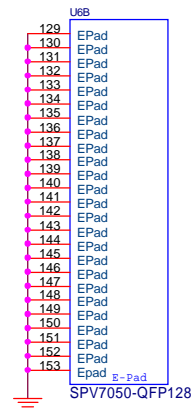
SARADC/SIF/AUDIO POWER/GND (3.3V)



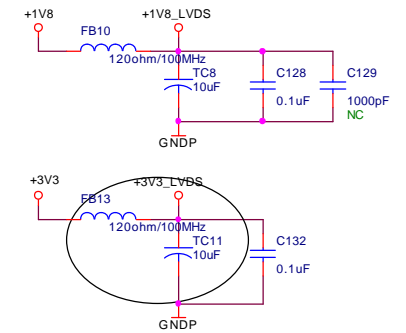
SPV7050 E-Pad



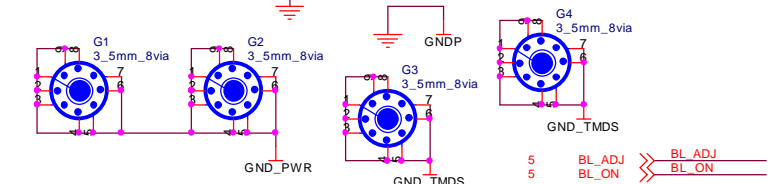
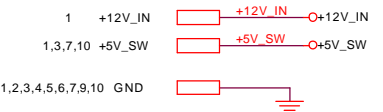
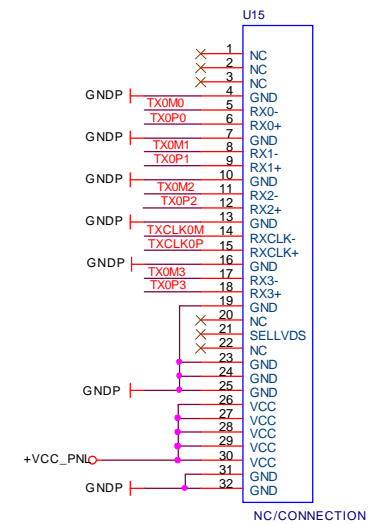
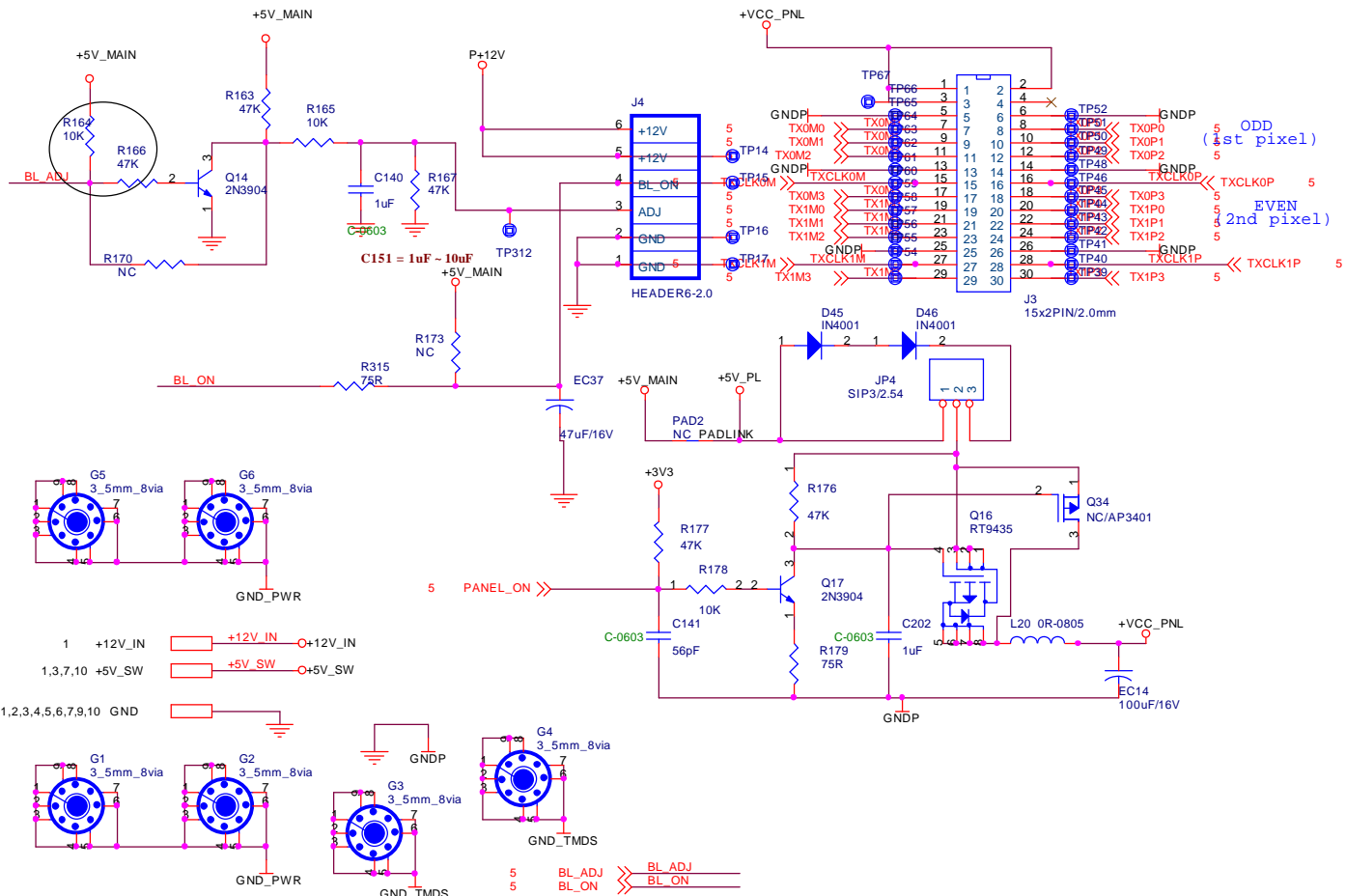
*Short these ground planes on PCB



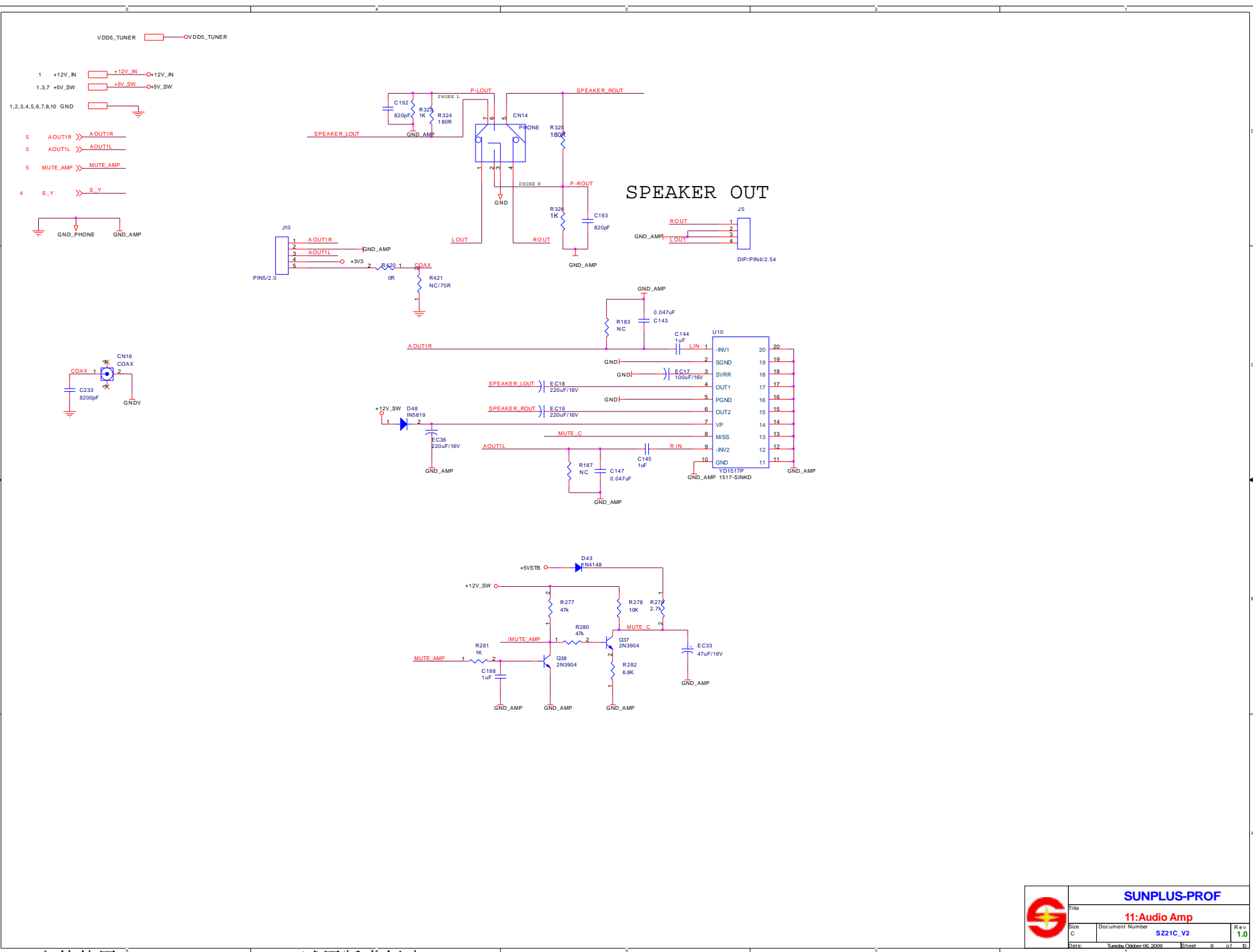
LVDS POWER/GND (3.3V)




		SUNPLUS	
		SPV7050 Part-2	
Size B	Document Number	SZ21C_V2	
Date:	Tuesday, October 06, 2009	Sheet	6 of 10
			Rev 1.0



	SUNPLUS-PROF		
	10:Panel Interface		
	Size B	Document Number SZ21C_V2	Rev 1.0
	Date: Tuesday, October 06, 2009	Sheet 8	of 10



SUNPLUS-PROF		
	Title 11:Audio Amp	
Size C	Document Number SZ21C_V2	Rev 1.0
Date: Tuesday, October 06, 2009	Sheet 9	of 10