

# SCHEMATIC DIAGRAM

**MODEL : 61VH9UE / 61VH9UM / 61CVH9UR / 61VH9UA / 61VH9UT**

**WARNING:** BEFORE SERVICING THIS CHASSIS, READ THE "X-RAY RADIATION PRECAUTION", "SAFETY PRECAUTION" AND "PRODUCT SAFETY NOTICE" ON THE MANUAL FOR THIS MODEL.

**CAUTION:** The international hazard symbols " $\triangle$ " in the schematic diagram and the parts list designate components which have special characteristics important for safety and should be replaced only with types identical to those in the original circuit or specified in the parts list. The mounting position of replacements is to be identical with originals. Before replacing any of these components, read carefully the PRODUCT SAFETY NOTICE on the MANUAL for this model. Do not degrade the safety of the receiver through improper servicing.

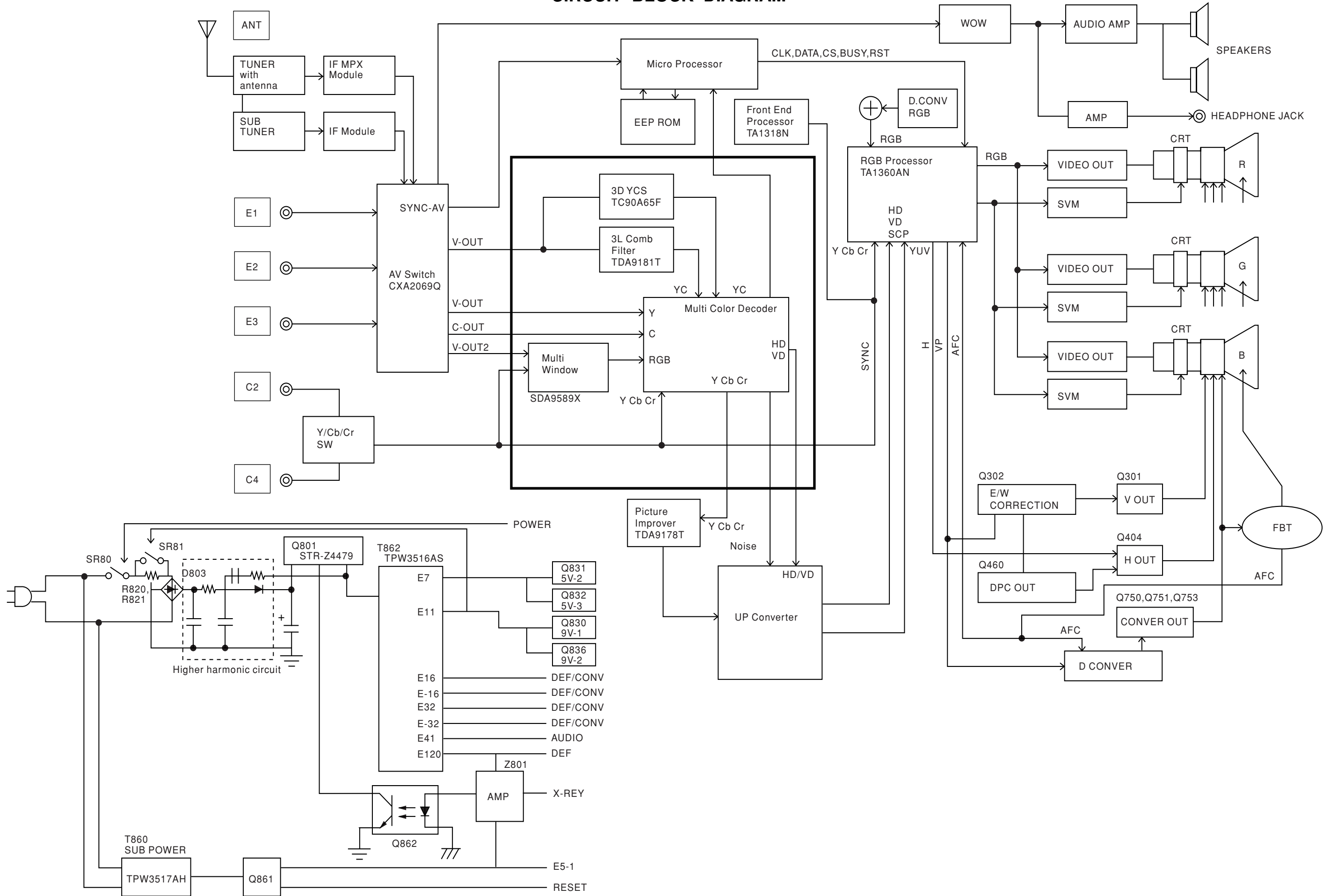
**NOTE:**

- 1. RESISTOR Resistance is shown in ohm [K = 1.000, M = 1.000.000]. All resistors are 1/6W and 5% tolerance carbon resistor, unless otherwise noted as the following marks.  
 1/2R = Metal or Metal oxide of 1/2 watt                              1/2S = Carbon composition of 1/2 watt  
 1RF = Fuse resistor of 1 watt    10W = Cement of 10 watt  
 K =  $\pm 10\%$     G =  $\pm 2\%$     F =  $\pm 1\%$
- 2. CAPACITOR Unless otherwise noted in schematic, all capacitor values less than 1 are expressed in  $\mu\text{F}$ , and the values more than 1 in pF.  
 All capacitors are ceramic 50V, unless otherwise noted as the following marks.  
      $\begin{matrix} + \\ | \\ | \\ | \end{matrix}$  Electrolytic capacitor                               $\begin{matrix} \textcircled{\oplus} \\ | \\ | \\ | \end{matrix}$  Mylar capacitor
- 3. The parts indicated with " $\triangle$ " have special characteristics, and should be replaced with identical parts only.
- 4. Voltages read with DIGITAL MULTI-METER from point indicated to chassing ground, using a color bar signal with all controls at normal, line voltage 220 volts.
- 5. Waveforms are taken receiving color bar signal with enough sensitivity.
- 6. Voltage reading shown are nominal values and may vary  $\pm 20\%$  except H.V.

**■ SCHEMATIC DIAGRAM STRUCTURE:**

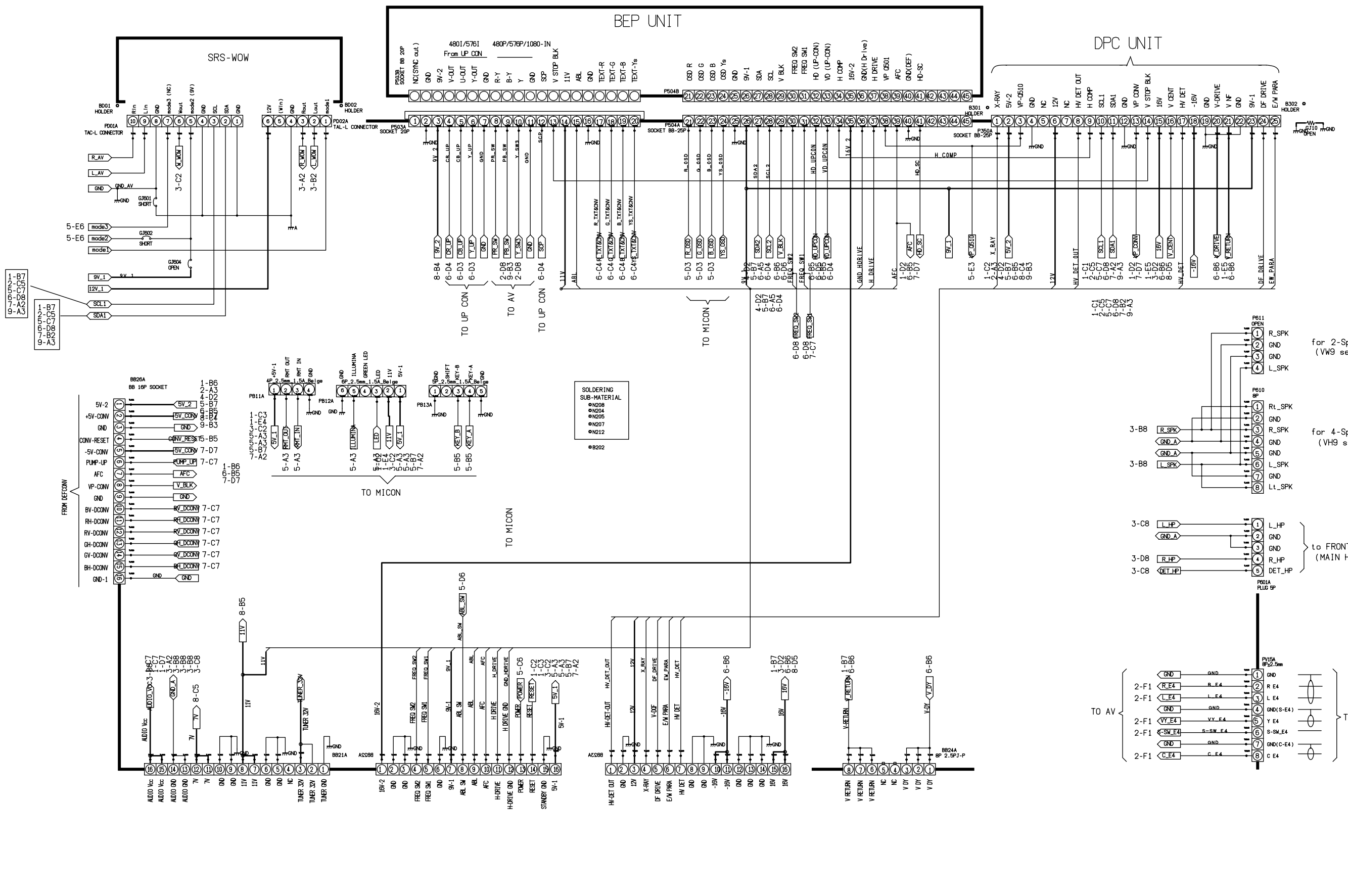
— SIGNAL Circuit —	OTHERS	[ SHEET - 1/9 ] .....	1/20
	— AV	[ SHEET - 2/9 ] .....	2/20
	— SOUND	[ SHEET - 3/9 ] .....	3/20
	— IF	[ SHEET - 4/9 ] .....	4/20
	— M-CON	[ SHEET - 5/9 ] .....	5/20
	— FEP / V-OUT OTHER	[ SHEET - 6/9 ] .....	6/20
	— D-CONV	[ SHEET - 7/9 ] .....	7/20
	— REGU-OUT	[ SHEET - 8/9 ] .....	8/20
	— 3DYCS / OTHER	[ SHEET - 9/9 ] .....	9/20
— DEF / CONV. Circuit —	(1/3)	[ SHEET - 1/3 ] .....	10/20
	(2/3)	[ SHEET - 2/3 ] .....	11/20
	(3/3)	[ SHEET - 3/3 ] .....	12/20
— BEP(for HD) Circuit .....			13/20
— DPC Circuit .....			14/20
— POWER Circuit .....			15/20
— CRT-D(for HD) / SVM Circuit —	(1/2)	[ SHEET - 1/2 ] .....	16/20
	(2/2)	[ SHEET - 2/2 ] .....	17/20
— SRS-WOW Circuit .....			18/20
— FRONT Circuit .....			19/20
— M-TEXT-P2 Circuit .....			20/20

# CIRCUIT BLOCK DIAGRAM

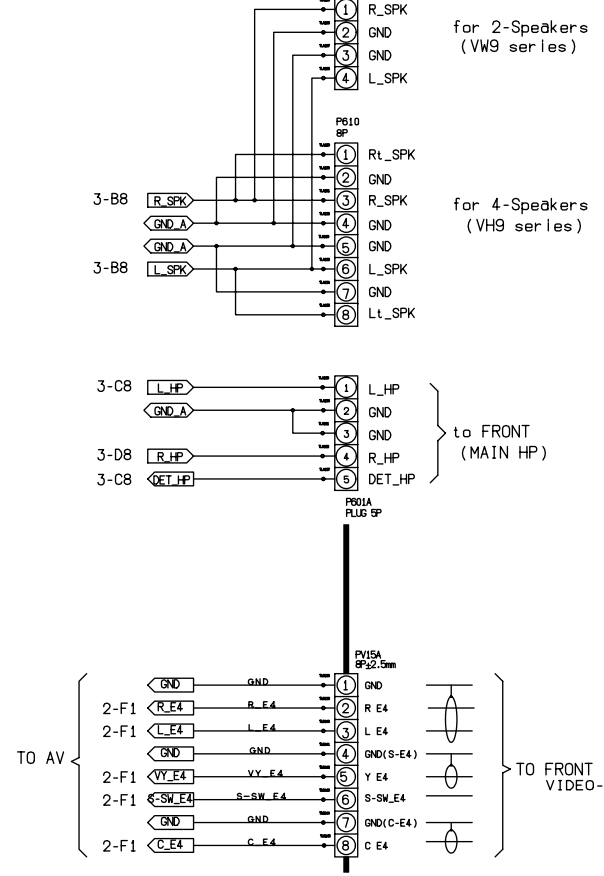


A  
B  
C  
D  
E  
F

1 2 3 4 5 6 7 8

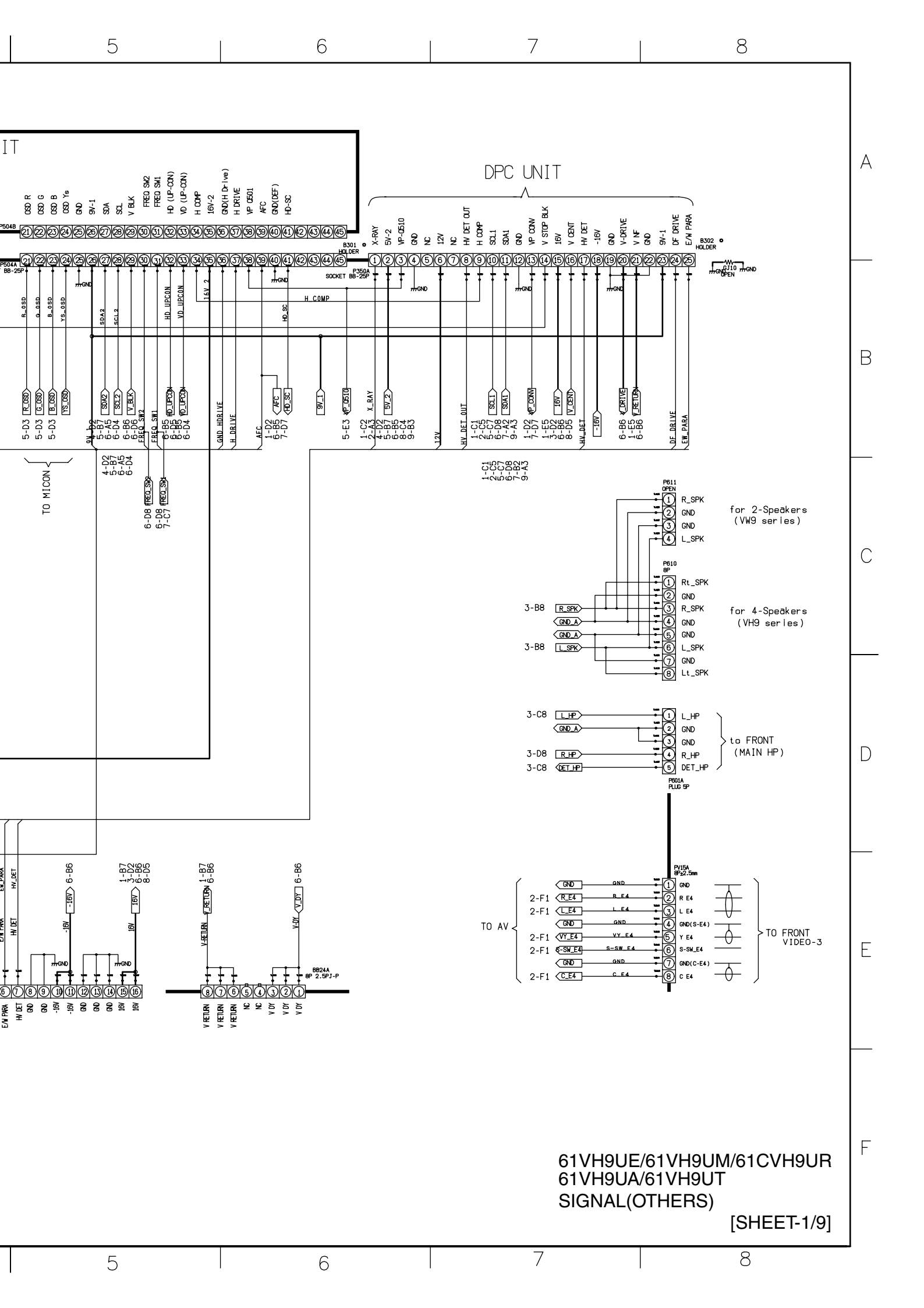


SOLDERING SUB-MATERIAL  
 #N208  
 #N204  
 #N205  
 #N207  
 #N212  
 #B202



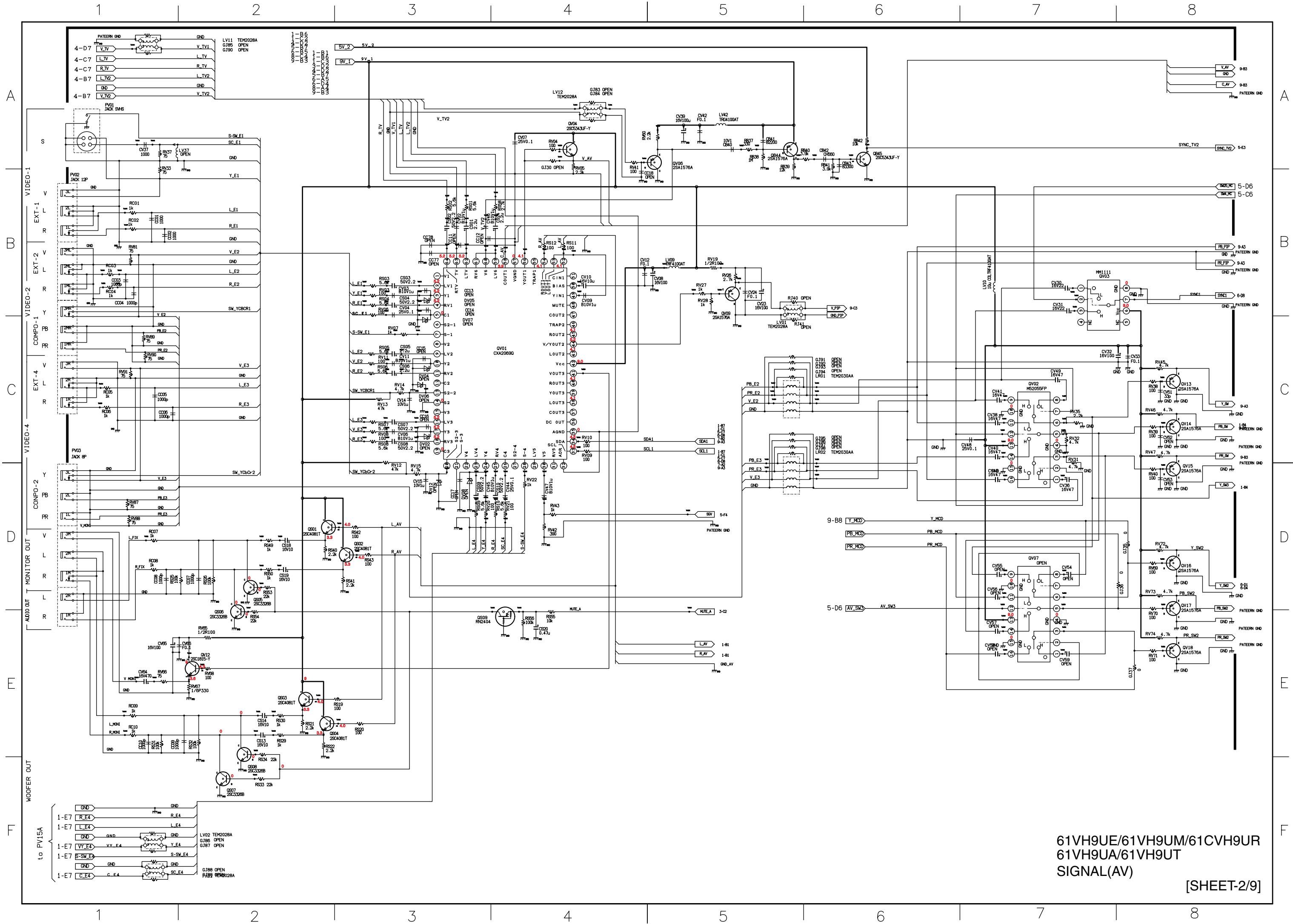
61VH9UE/61VH9UM/61CVH9UR  
 61VH9UA/61VH9UT  
 SIGNAL(OTHERS)  
 [SHEET-1/9]





61VH9UE/61VH9UM/61CVH9UR  
 61VH9UA/61VH9UT  
 SIGNAL(OTHERS)

[SHEET-1/9]



61VH9UE/61VH9UM/61CVH9UR  
 61VH9UA/61VH9UT  
 SIGNAL(AV)

A

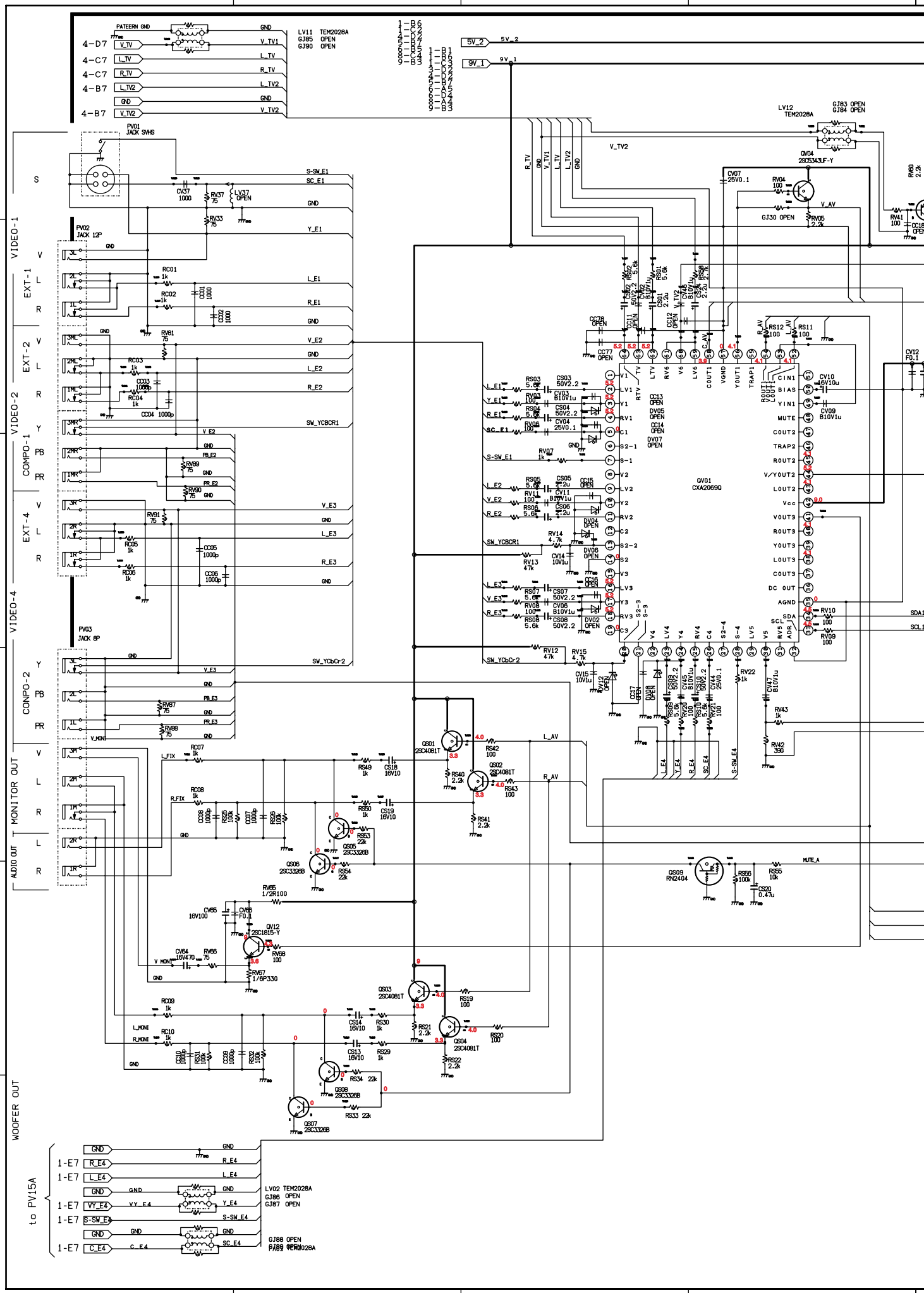
B

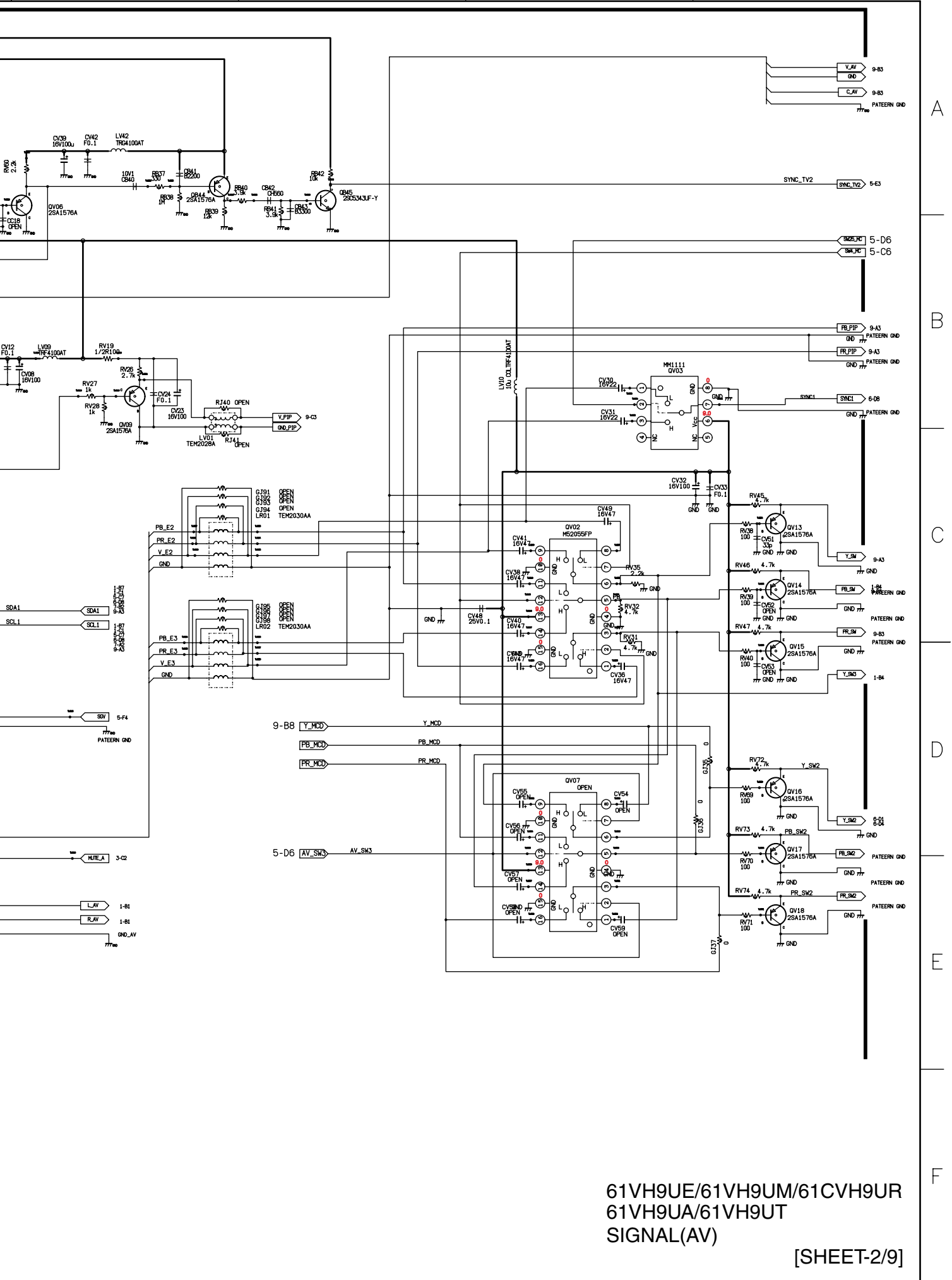
C

D

E

F





A

B

C

D

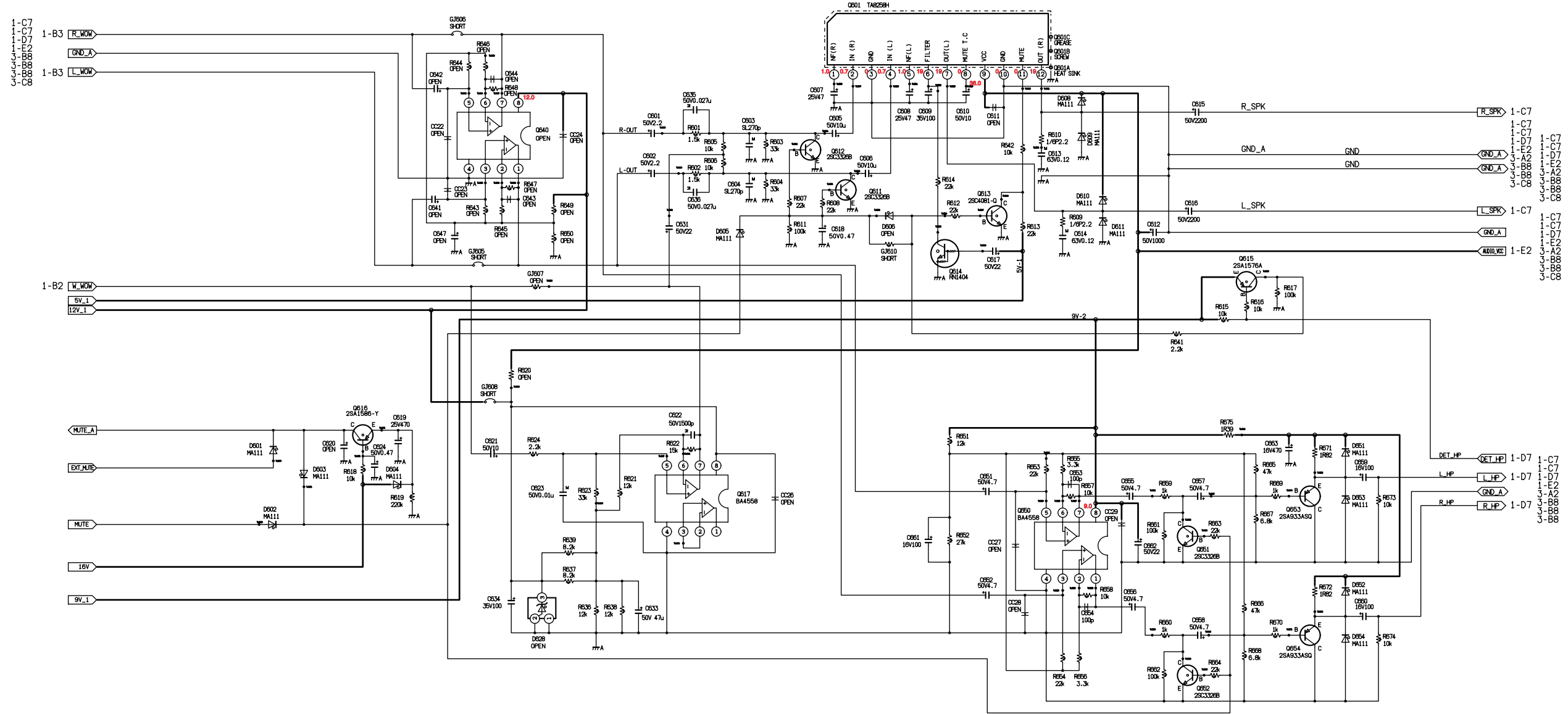
E

F

61VH9UE/61VH9UM/61CVH9UR  
 61VH9UA/61VH9UT  
 SIGNAL(AV)

[SHEET-2/9]





1-C7  
1-C7  
1-C7  
1-F2  
3-B8  
3-B8  
3-C8

1-B3 R\_WOK  
1-B3 GND\_A  
1-B3 L\_WOK

1-B2 W\_WOK  
5V\_I  
12V\_I

MUTE\_A  
EXT\_MUR  
MUTE  
18V  
9V\_I

R\_SPK 1-C7  
GND\_A 1-C7  
GND\_A 1-D7  
L\_SPK 1-C7  
GND\_A 1-C7  
R\_WOK 1-E2  
3-B8  
3-B8  
3-C8

DET\_HP 1-D7  
L\_HP 1-D7  
GND\_A 1-E2  
R\_HP 1-D7  
3-B8  
3-B8  
3-C8

61VH9UE/61VH9UM/61CVH9UR  
61VH9UA/61VH9UT  
SIGNAL(SOUND)

1 2 3 4

A

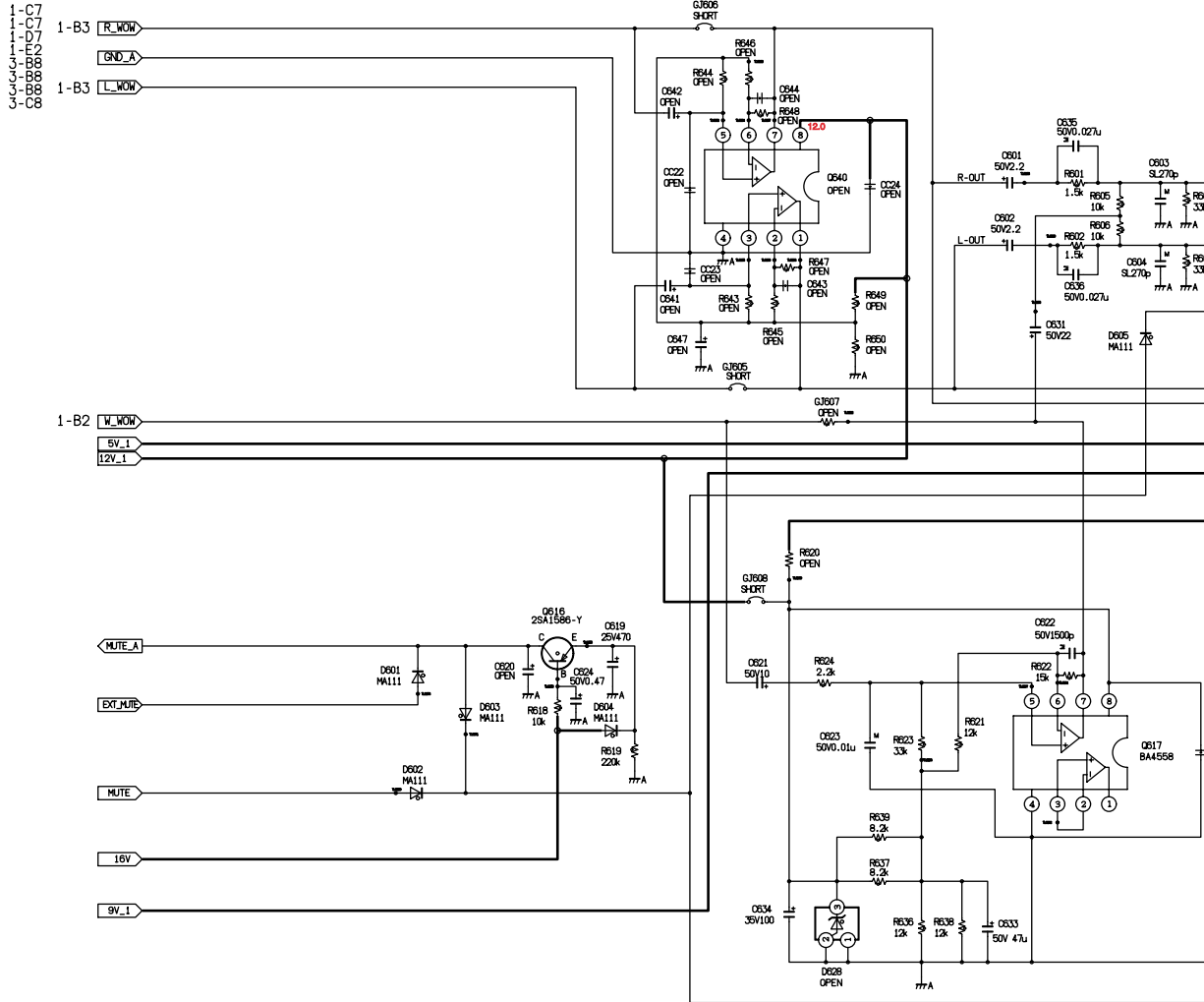
B

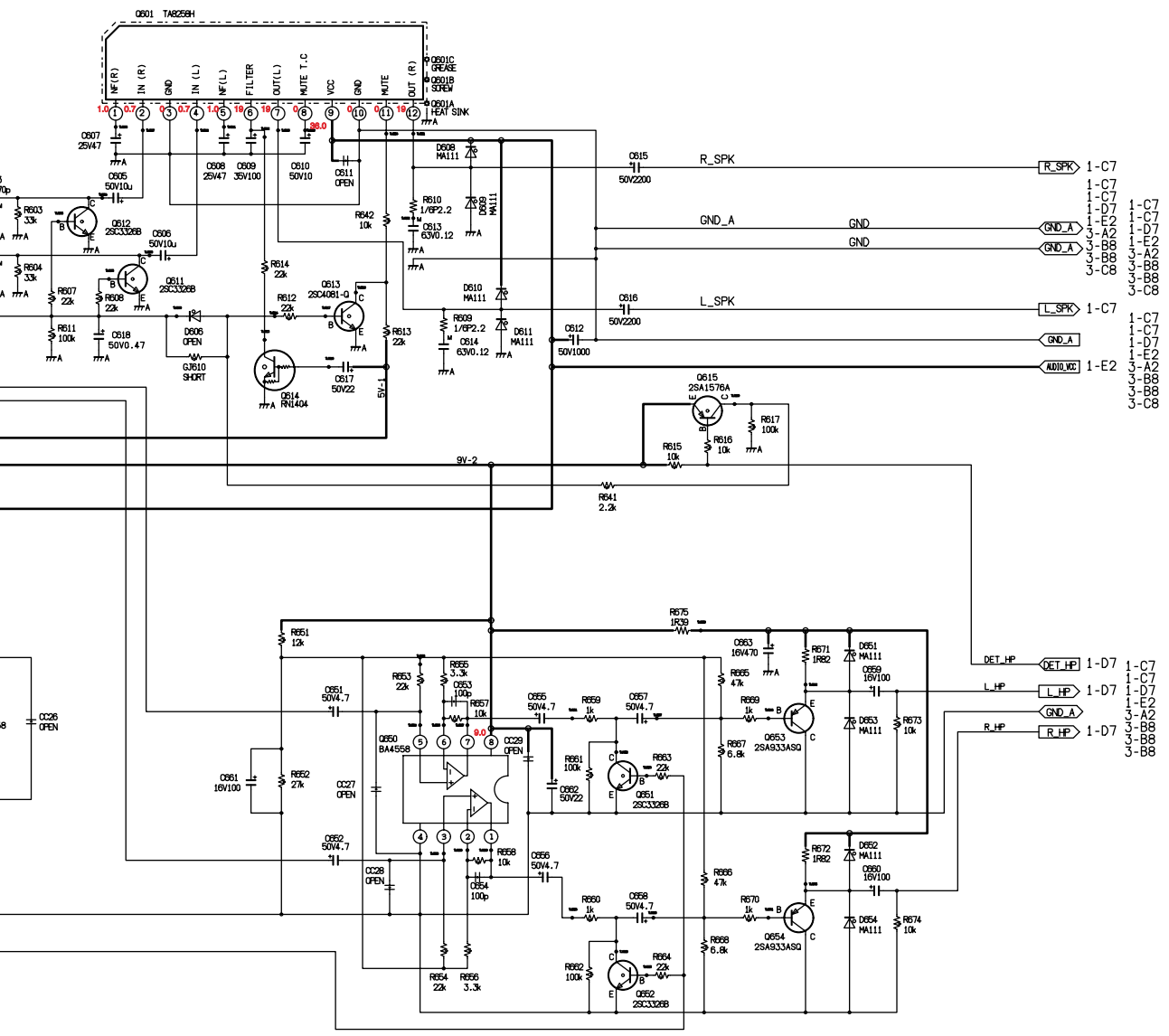
C

D

E

F





- R\_SPK 1-C7
- GND\_A 1-C7
- GND 1-C7
- GND 1-D7
- GND 1-E2
- L\_SPK 1-C7
- GND\_A 1-C7
- GND 1-D7
- GND 1-E2
- ADJ0\_VG 1-E2

- DET\_HP 1-D7
- L\_HP 1-D7
- GND\_A 1-E2
- R\_HP 1-D7

61VH9UE/61VH9UM/61CVH9UR  
 61VH9UA/61VH9UT  
 SIGNAL(SOUND)

1 2 3 4 5 6 7 8

A

B

C

D

E

F

A

B

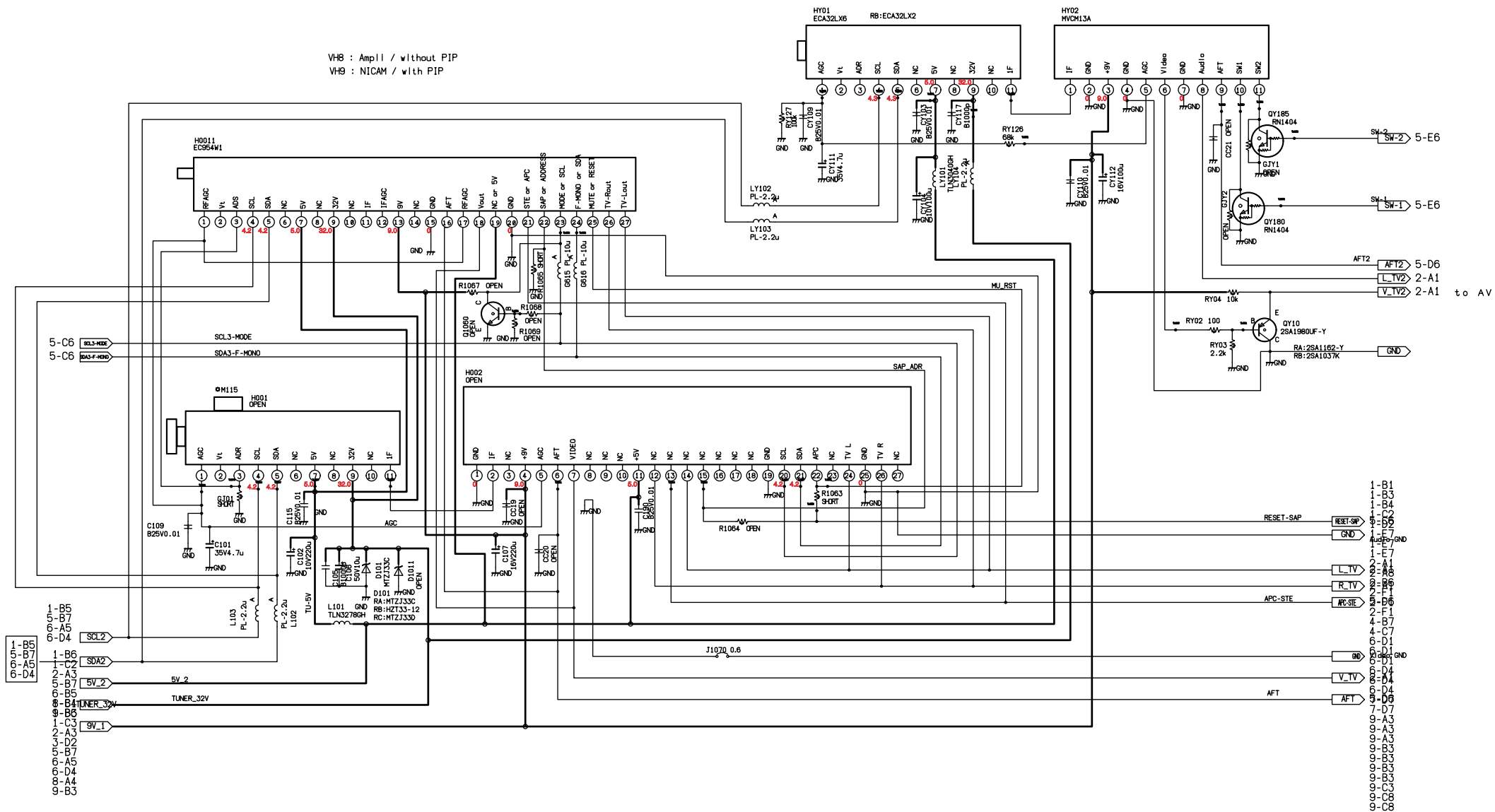
C

D

E

F

VH8 : AmpII / without PIP  
VH9 : NICAM / with PIP



- 1-B5
- 1-B7
- 1-C2
- 1-C3
- 1-C4
- 1-C5
- 1-C6
- 1-C7
- 1-C8
- 1-C9
- 1-C10
- 1-C11
- 1-C12
- 1-C13
- 1-C14
- 1-C15
- 1-C16
- 1-C17
- 1-C18
- 1-C19
- 1-C20
- 1-C21
- 1-C22
- 1-C23
- 1-C24
- 1-C25
- 1-C26
- 1-C27
- 1-C28
- 1-C29
- 1-C30
- 1-C31
- 1-C32
- 1-C33
- 1-C34
- 1-C35
- 1-C36
- 1-C37
- 1-C38
- 1-C39
- 1-C40
- 1-C41
- 1-C42
- 1-C43
- 1-C44
- 1-C45
- 1-C46
- 1-C47
- 1-C48
- 1-C49
- 1-C50
- 1-C51
- 1-C52
- 1-C53
- 1-C54
- 1-C55
- 1-C56
- 1-C57
- 1-C58
- 1-C59
- 1-C60
- 1-C61
- 1-C62
- 1-C63
- 1-C64
- 1-C65
- 1-C66
- 1-C67
- 1-C68
- 1-C69
- 1-C70
- 1-C71
- 1-C72
- 1-C73
- 1-C74
- 1-C75
- 1-C76
- 1-C77
- 1-C78
- 1-C79
- 1-C80
- 1-C81
- 1-C82
- 1-C83
- 1-C84
- 1-C85
- 1-C86
- 1-C87
- 1-C88
- 1-C89
- 1-C90
- 1-C91
- 1-C92
- 1-C93
- 1-C94
- 1-C95
- 1-C96
- 1-C97
- 1-C98
- 1-C99
- 1-C100

- 1-B1
- 1-B3
- 1-B4
- 1-C1
- 1-C2
- 1-C3
- 1-C4
- 1-C5
- 1-C6
- 1-C7
- 1-C8
- 1-C9
- 1-C10
- 1-C11
- 1-C12
- 1-C13
- 1-C14
- 1-C15
- 1-C16
- 1-C17
- 1-C18
- 1-C19
- 1-C20
- 1-C21
- 1-C22
- 1-C23
- 1-C24
- 1-C25
- 1-C26
- 1-C27
- 1-C28
- 1-C29
- 1-C30
- 1-C31
- 1-C32
- 1-C33
- 1-C34
- 1-C35
- 1-C36
- 1-C37
- 1-C38
- 1-C39
- 1-C40
- 1-C41
- 1-C42
- 1-C43
- 1-C44
- 1-C45
- 1-C46
- 1-C47
- 1-C48
- 1-C49
- 1-C50
- 1-C51
- 1-C52
- 1-C53
- 1-C54
- 1-C55
- 1-C56
- 1-C57
- 1-C58
- 1-C59
- 1-C60
- 1-C61
- 1-C62
- 1-C63
- 1-C64
- 1-C65
- 1-C66
- 1-C67
- 1-C68
- 1-C69
- 1-C70
- 1-C71
- 1-C72
- 1-C73
- 1-C74
- 1-C75
- 1-C76
- 1-C77
- 1-C78
- 1-C79
- 1-C80
- 1-C81
- 1-C82
- 1-C83
- 1-C84
- 1-C85
- 1-C86
- 1-C87
- 1-C88
- 1-C89
- 1-C90
- 1-C91
- 1-C92
- 1-C93
- 1-C94
- 1-C95
- 1-C96
- 1-C97
- 1-C98
- 1-C99
- 1-C100

61VH9UE/61VH9UM/61CVH9UR  
61VH9UM/61VH9UT  
SIGNAL(IF)  
[SHEET-4/9]

1

2

3

4

A

B

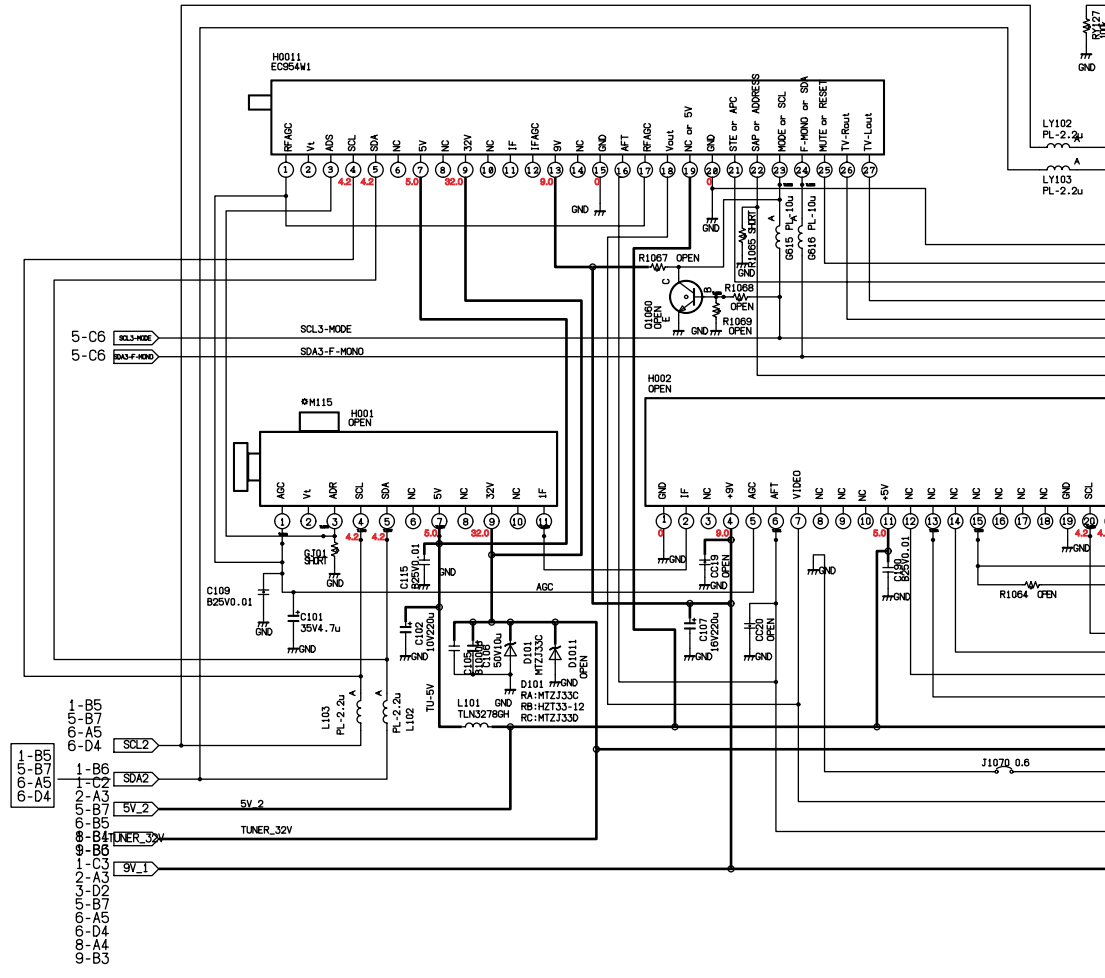
C

D

E

F

VH8 : Amp11 / without PIP  
VH8 : NICAM / with PIP



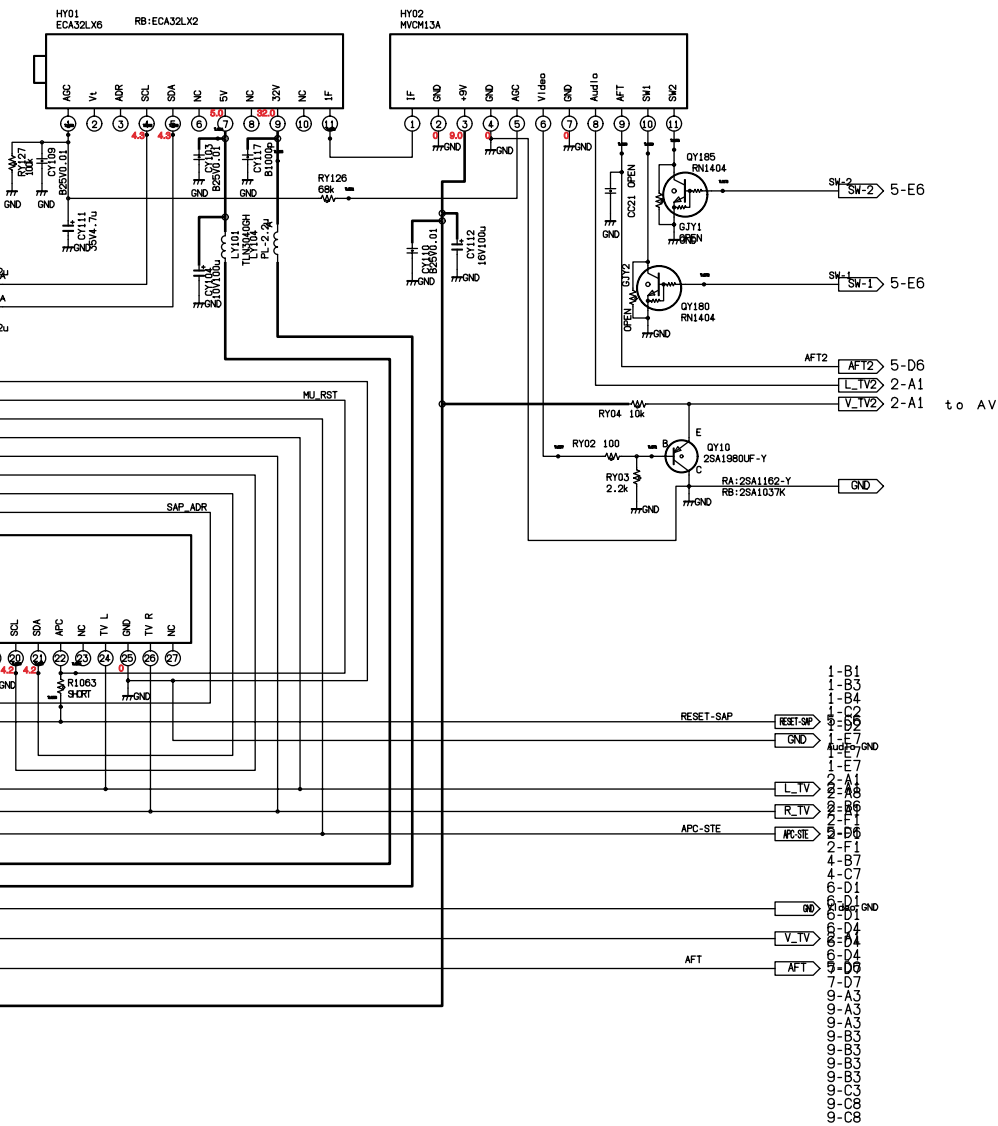
- 1-B5
- 5-B7
- 6-A5
- 6-D4
- 1-B6
- 1-C2
- 2-A3
- 5V\_2
- 5-B5
- 5-B8
- 5-B4
- 5-B8
- 5-C3
- 5-D2
- 5-B7
- 5-A5
- 5-D4
- 5-A4
- 5-B3

1

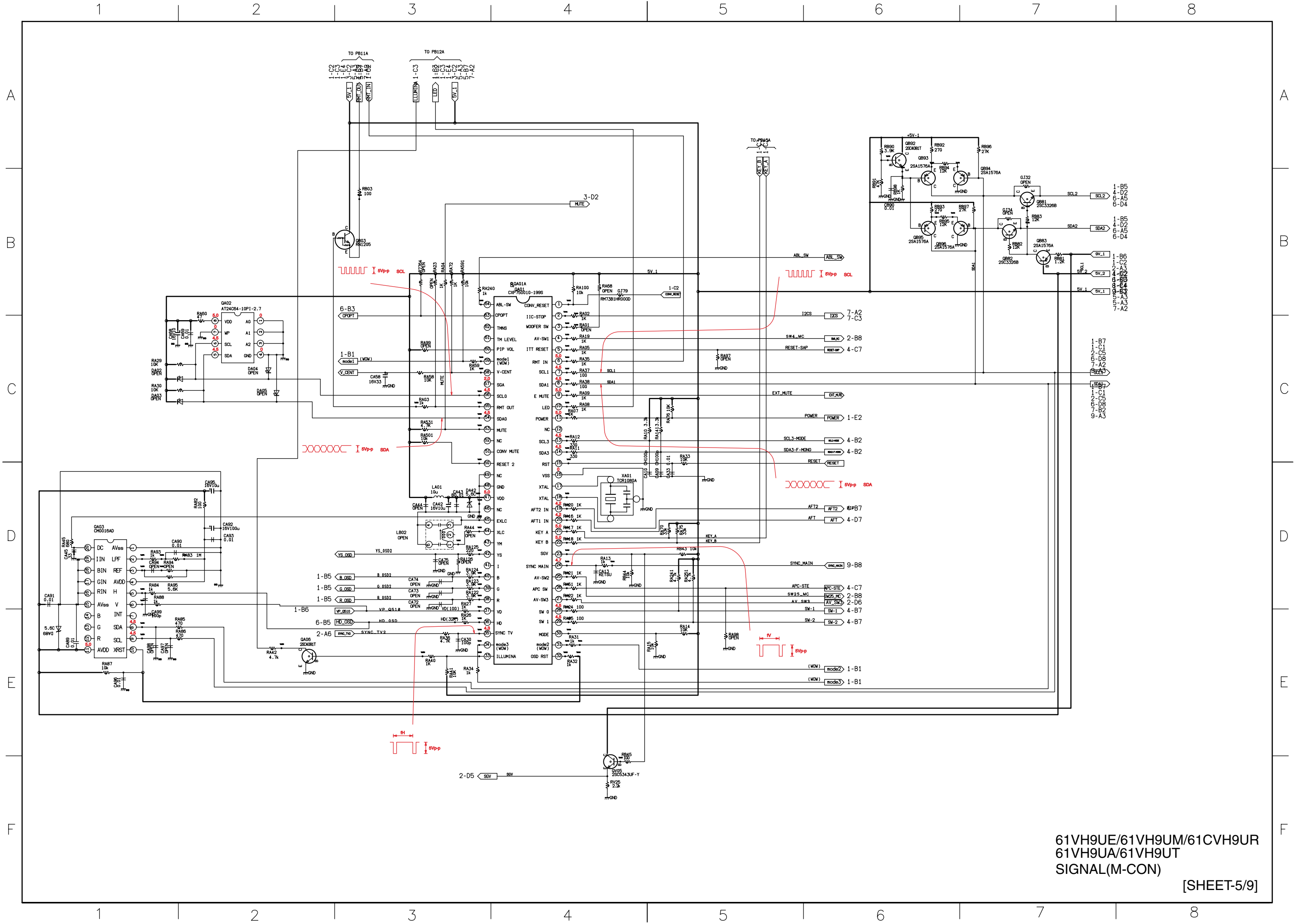
2

3

4



61VH9UE/61VH9UM/61CVH9UR  
 61VH9UM/61VH9UT  
 SIGNAL(IF)



61VH9UE/61VH9UM/61CVH9UR  
 61VH9UA/61VH9UT  
 SIGNAL(M-CON)  
 [SHEET-5/9]

1

2

3

4

A

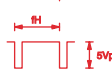
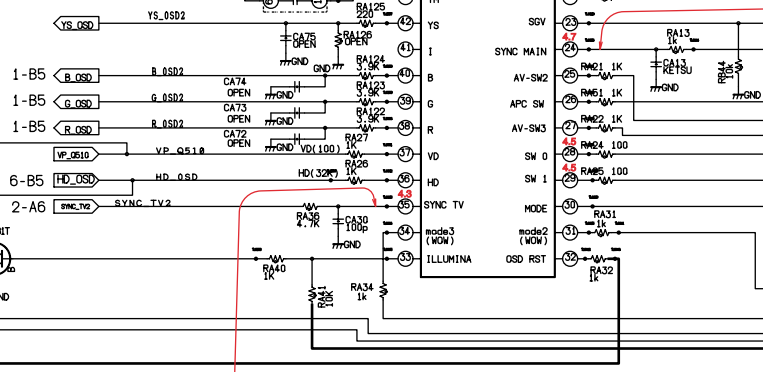
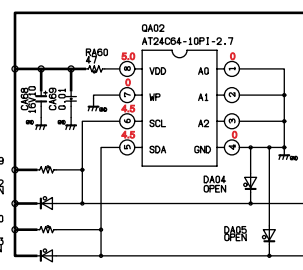
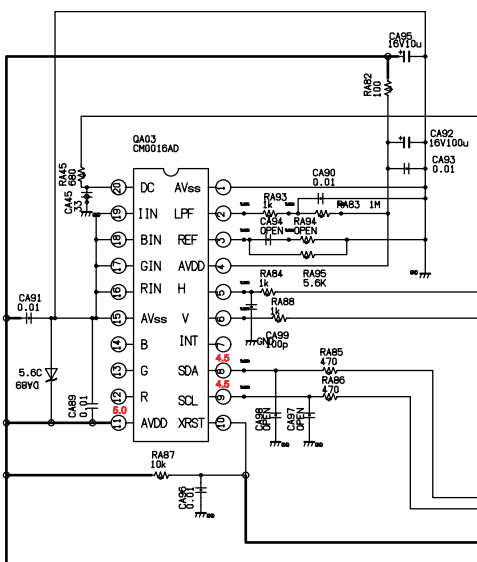
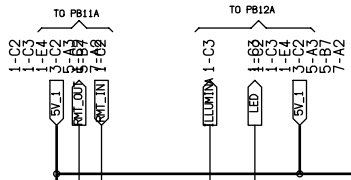
B

C

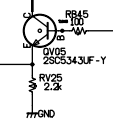
D

E

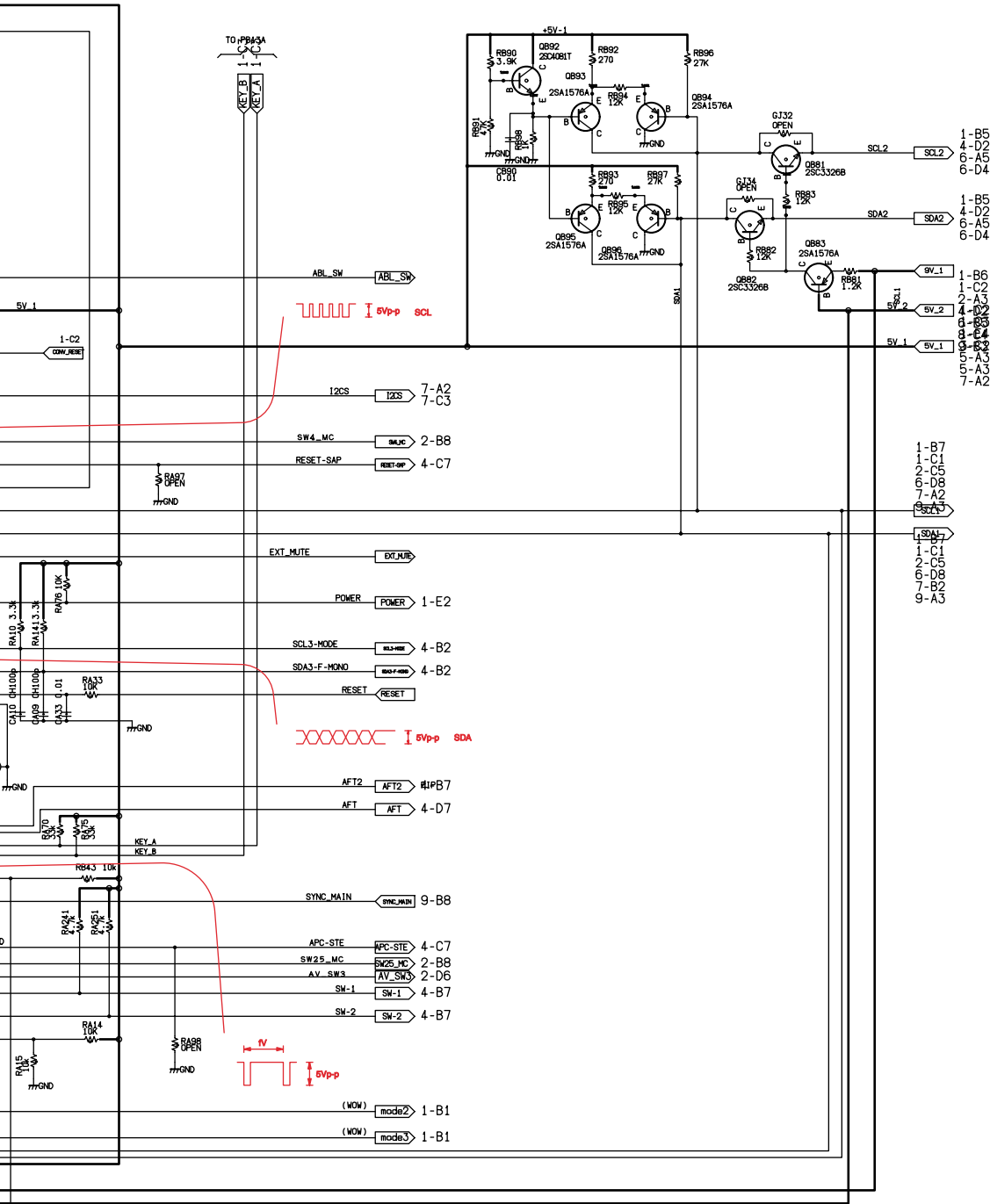
F



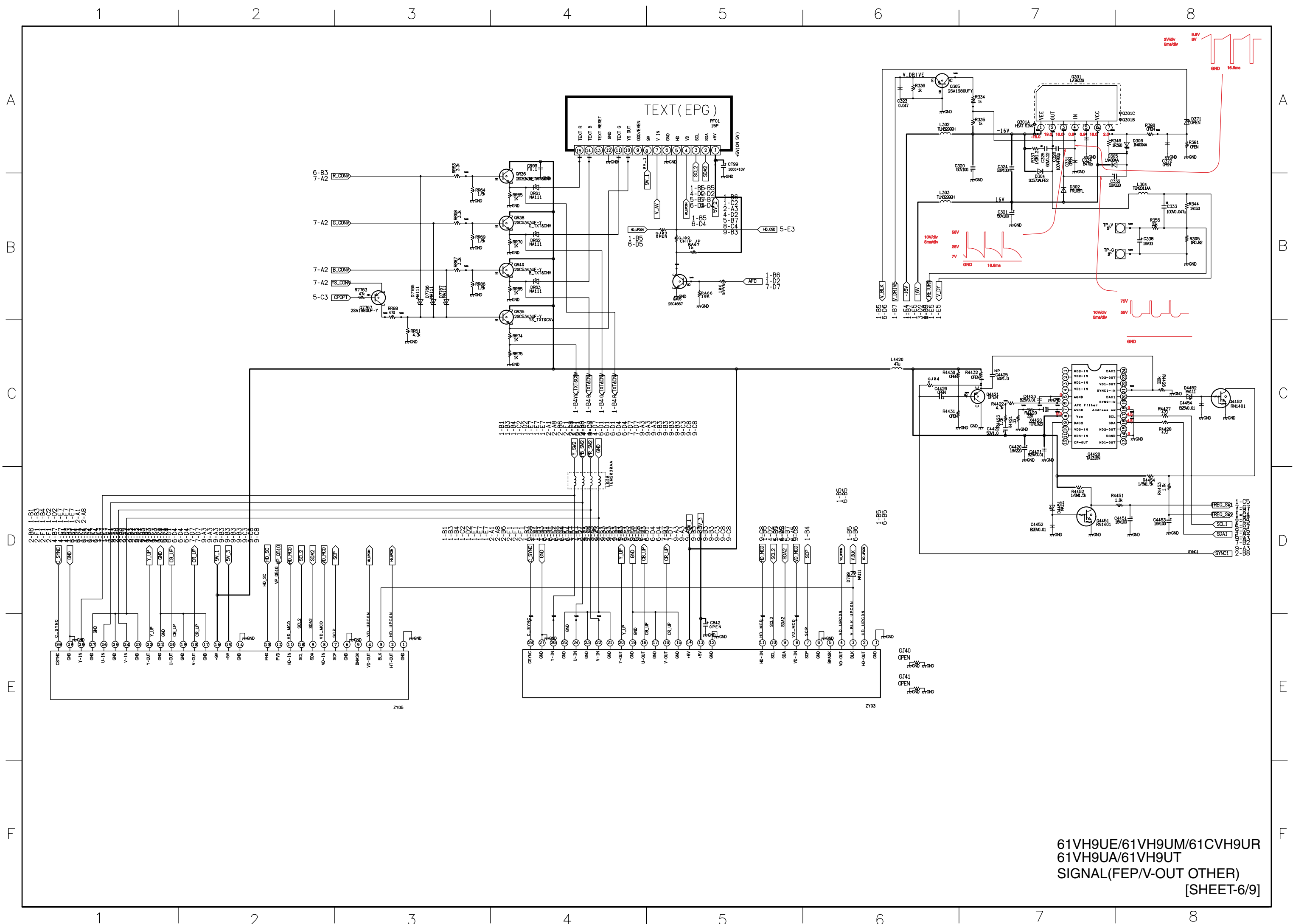
2-D5 <math>SWV</math>







61VH9UE/61VH9UM/61CVH9UR  
 61VH9UA/61VH9UT  
 SIGNAL(M-CON)  
 [SHEET-5/9]



61VH9UE/61VH9UM/61CVH9UR  
61VH9UA/61VH9UT  
SIGNAL(FEP/V-OUT OTHER)  
[SHEET-6/9]

1 2 3 4

A

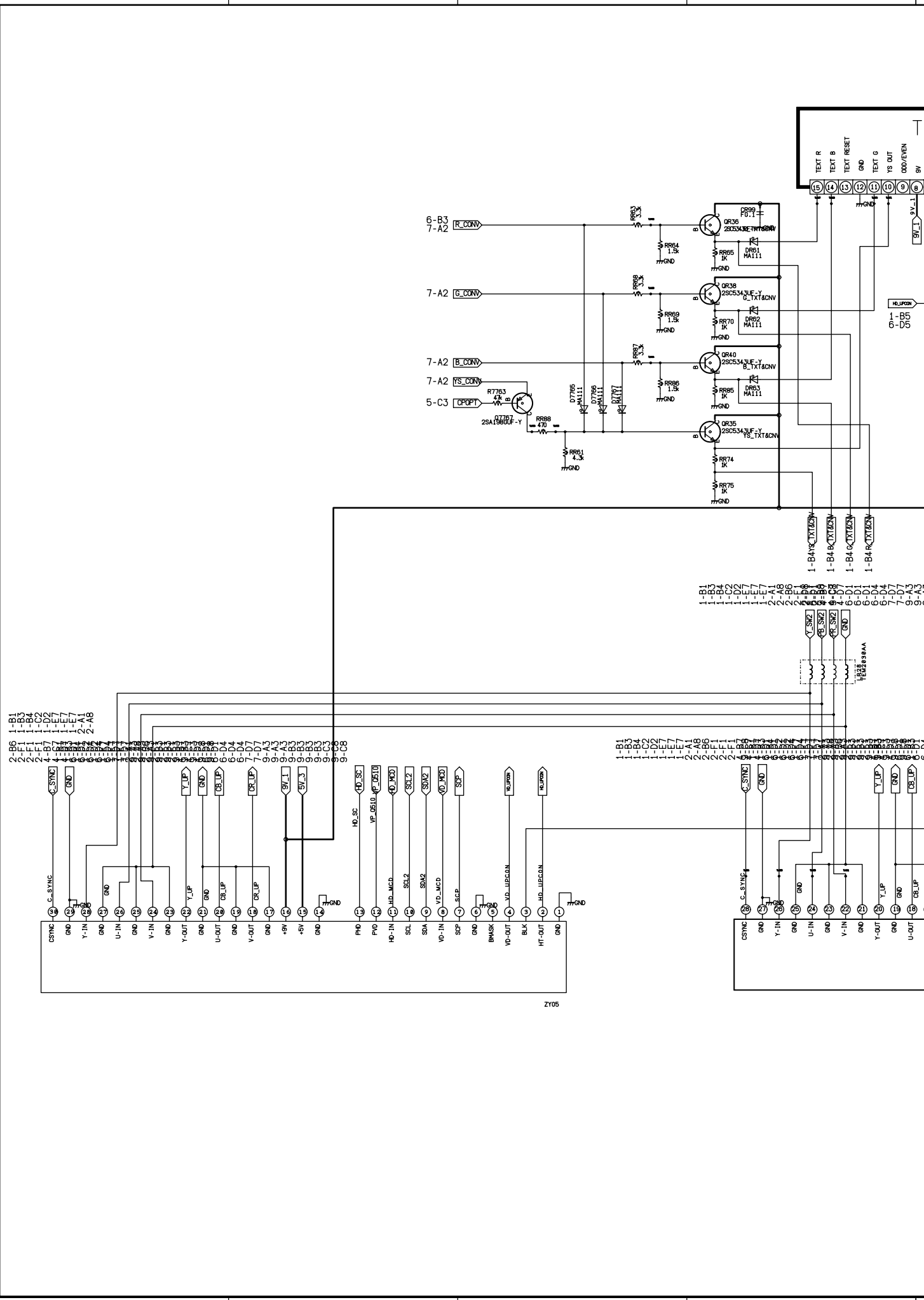
B

C

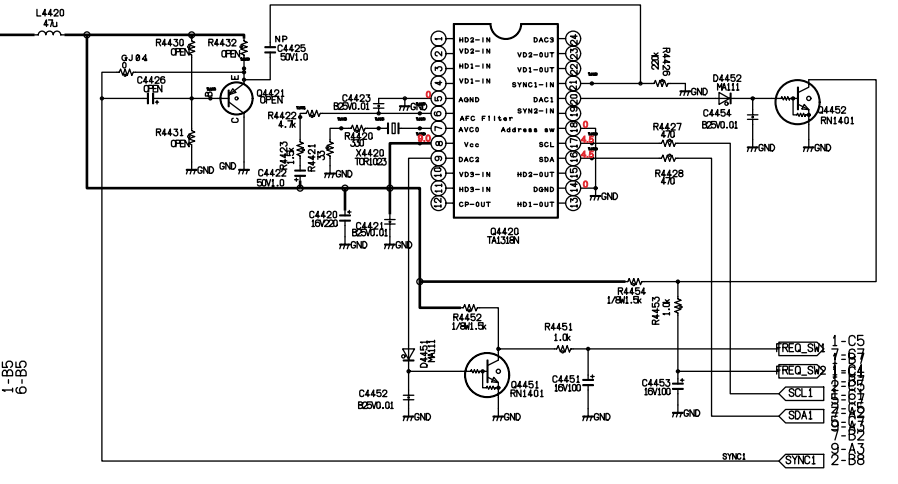
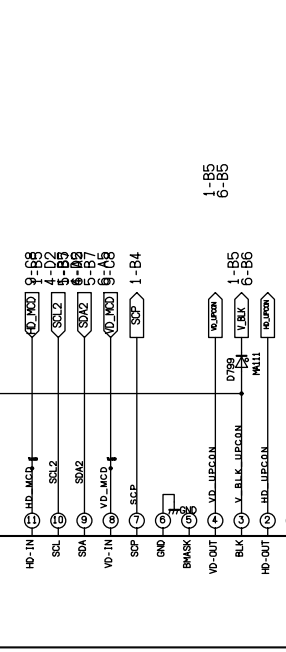
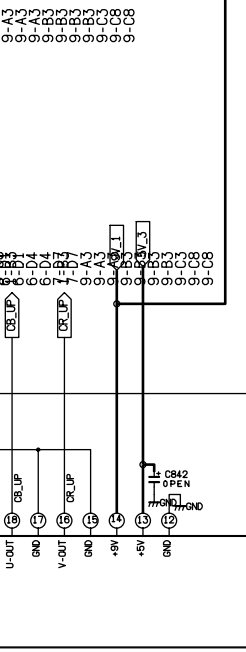
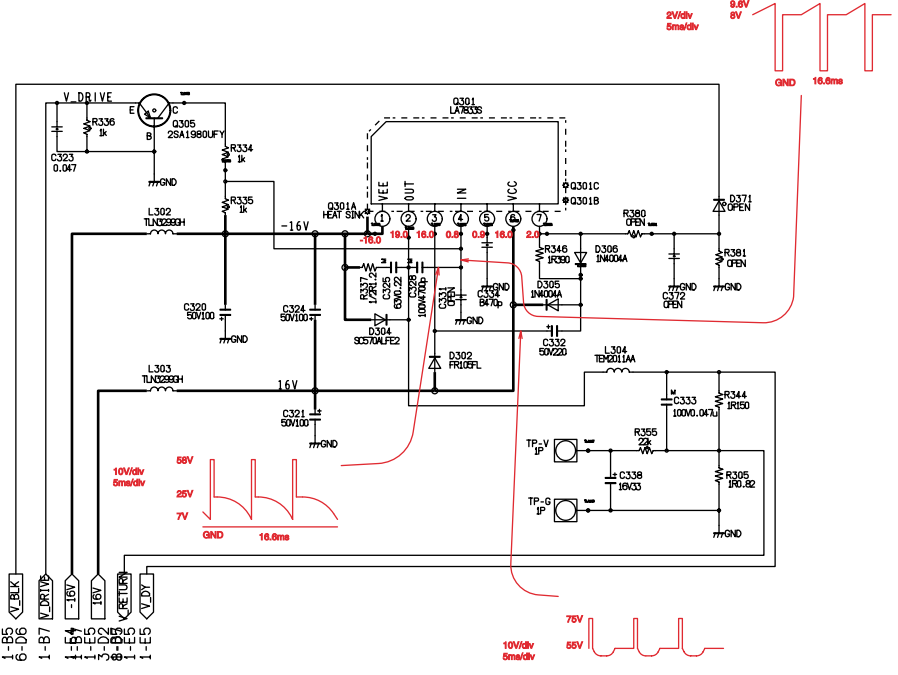
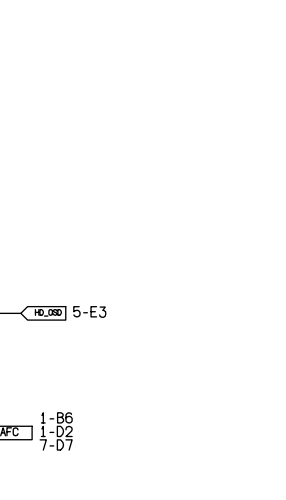
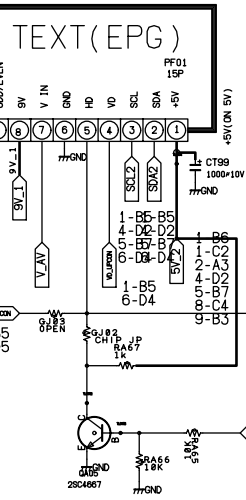
D

E

F



1 2 3 4



61VH9UE/61VH9UM/61CVH9UR  
 61VH9UA/61VH9UT  
 SIGNAL(FEP/V-OUT OTHER)  
 [SHEET-6/9]

+5V\_1  
I2CS  
YS\_CONV B3  
B\_CONV  
G\_CONV  
R\_CONV  
SCL1  
SDA1

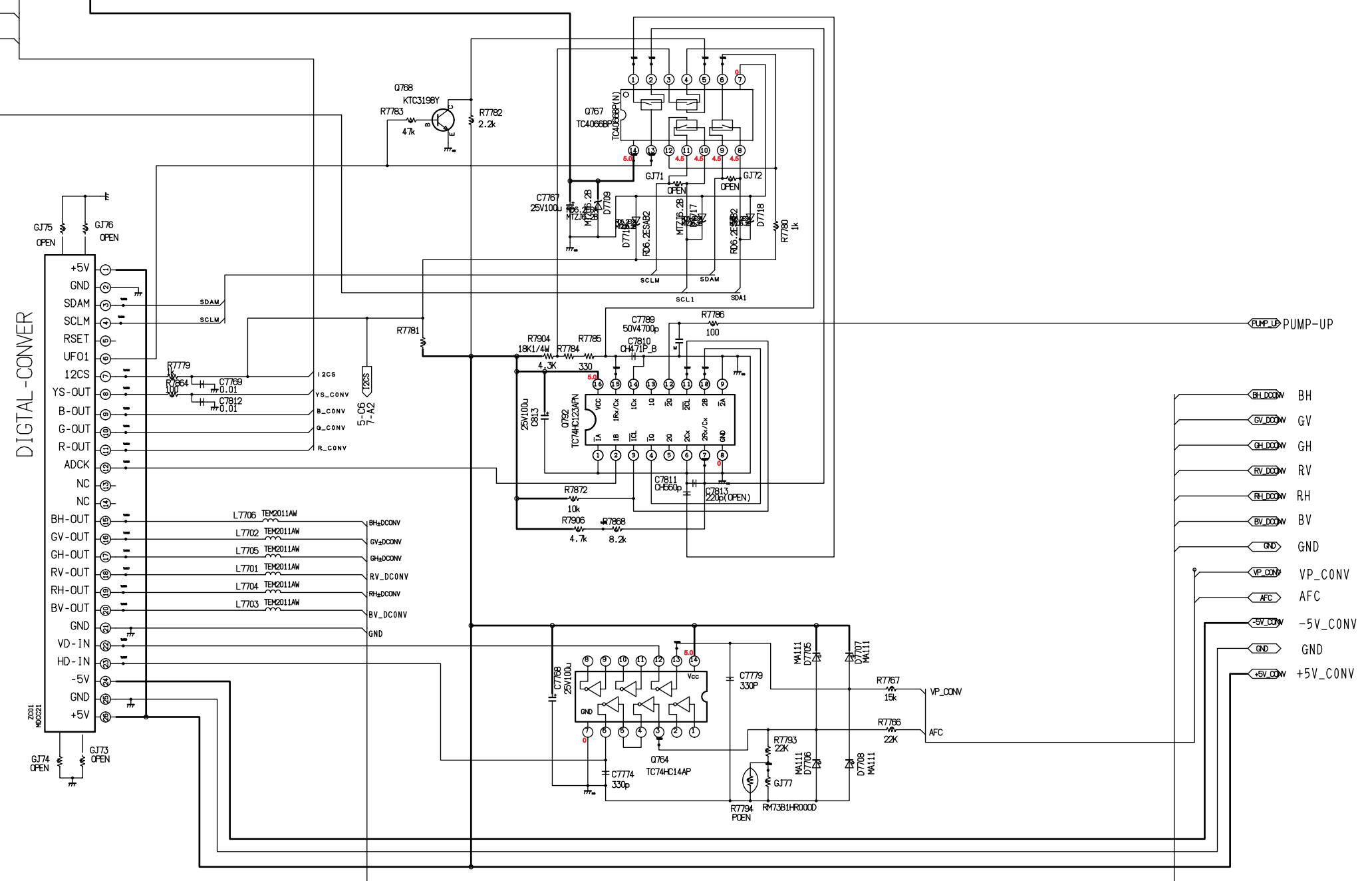
DIGITAL-CONVER

+5V  
GND  
SDAM  
SCLM  
RSET  
UF01  
I2CS  
YS-OUT  
B-OUT  
G-OUT  
R-OUT  
ADCK  
NC  
NC  
BH-OUT  
GV-OUT  
GH-OUT  
RV-OUT  
RH-OUT  
BV-OUT  
GND  
VD-IN  
HD-IN  
-5V  
GND  
+5V

L7706  
L7702  
L7705  
L7701  
L7704  
L7703

BH\_DCONV  
GV\_DCONV  
GH\_DCONV  
RV\_DCONV  
RH\_DCONV  
BV\_DCONV

BH  
GV  
GH  
RV  
RH  
BV  
GND  
VP\_CONV  
AFC  
-5V\_CONV  
GND  
+5V\_CONV



61VH9UE/61VH9UM/61CVH9UR  
61VH9UA/61VH9UT  
SIGNAL(D-CONV)

[SHEET-7/9]

A

B

C

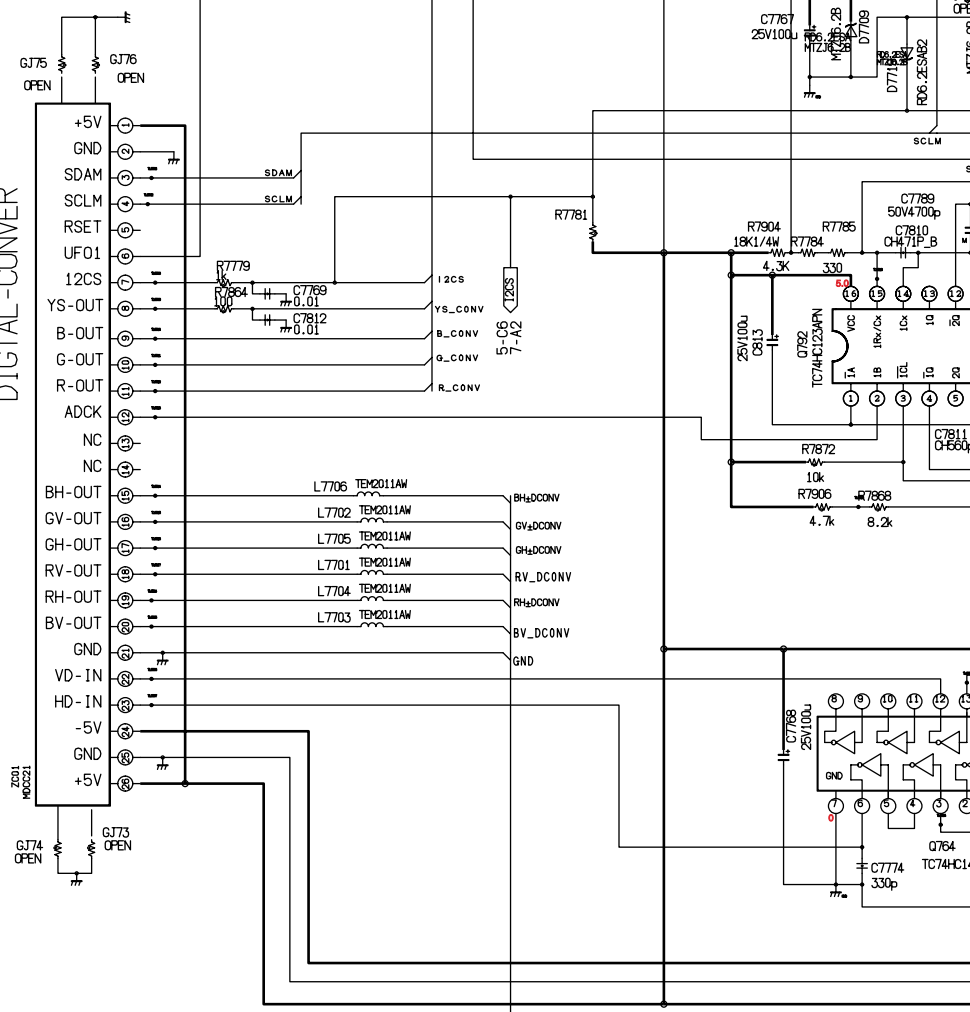
D

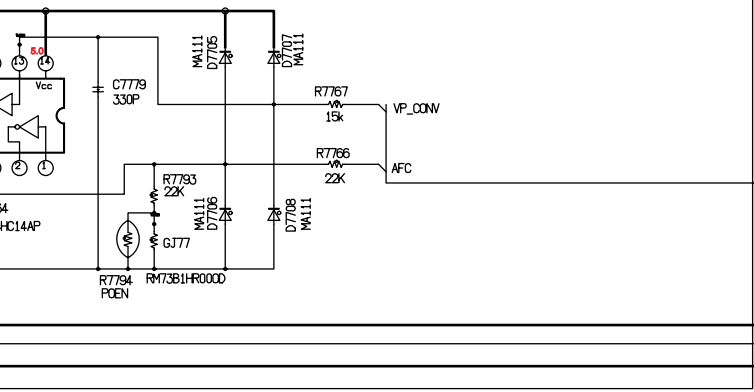
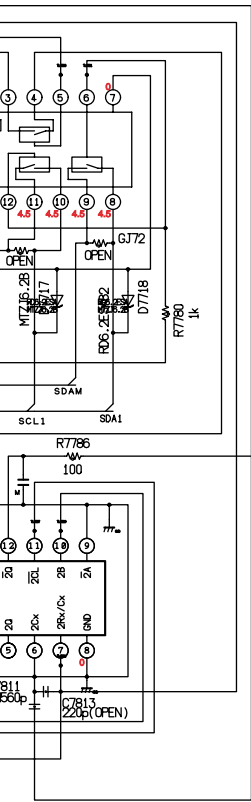
E

F

+5V\_1  5V\_1  
 I2CS  I2CS  
 YS\_CONV  YS\_CONV  
 B\_CONV  B\_CONV  
 G\_CONV  G\_CONV  
 R\_CONV  R\_CONV  
 SCL1  SCL1  
 SDA1  SDA1

DIGITAL-CONVER





PUMP UP PUMP-UP

- BH\_DCONV BH
- GV\_DCONV GV
- GH\_DCONV GH
- RV\_DCONV RV
- RH\_DCONV RH
- BV\_DCONV BV
- GND GND
- VP\_CONV VP\_CONV
- AFC AFC
- 5V\_CONV -5V\_CONV
- GND GND
- +5V\_CONV +5V\_CONV

61VH9UE/61VH9UM/61CVH9UR  
 61VH9UA/61VH9UT  
 SIGNAL(D-CONV)

1 2 3 4 5 6 7 8

A

A

B

B

C

C

D

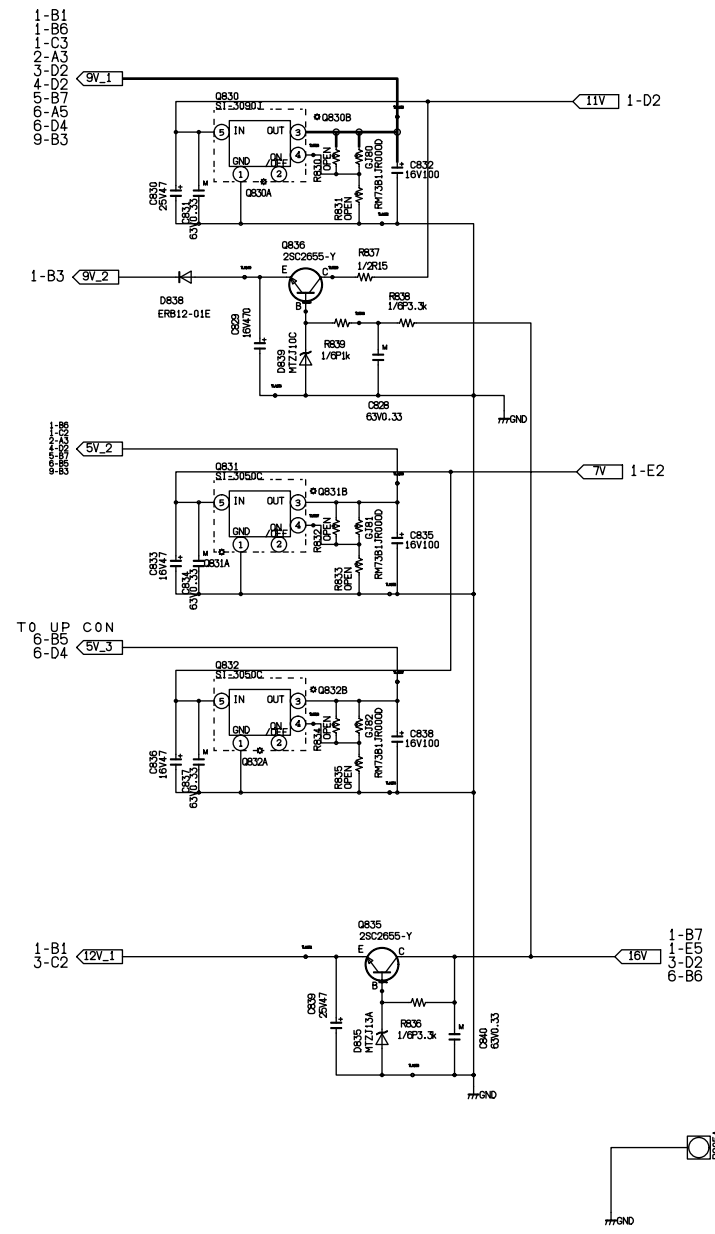
D

E

E

F

F



61VH9UE/61VH9UM/61CVH9UR  
 61VH9UA/61VH9UT  
 SIGNAL(REGU-OUT)  
 [SHEET-8/9]



1

2

3

4

A

B

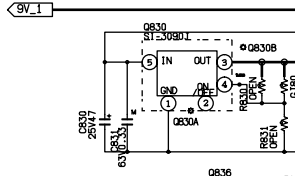
C

D

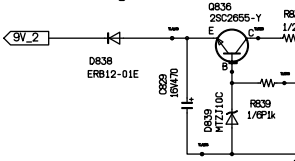
E

F

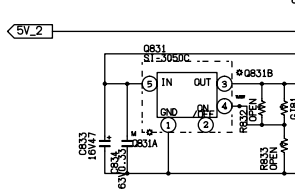
1-B1  
 1-B6  
 1-C3  
 2-A3  
 3-D3  
 4-D2  
 5-B7  
 6-A5  
 6-D4  
 9-B3



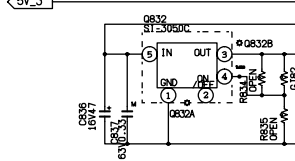
1-B3



5V\_2

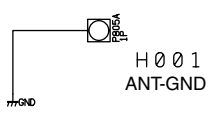
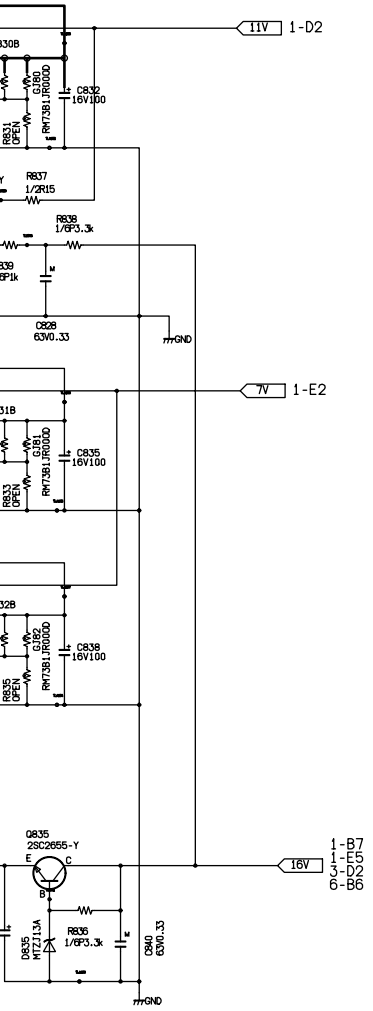


TO UP CON  
 6-B5  
 6-D4



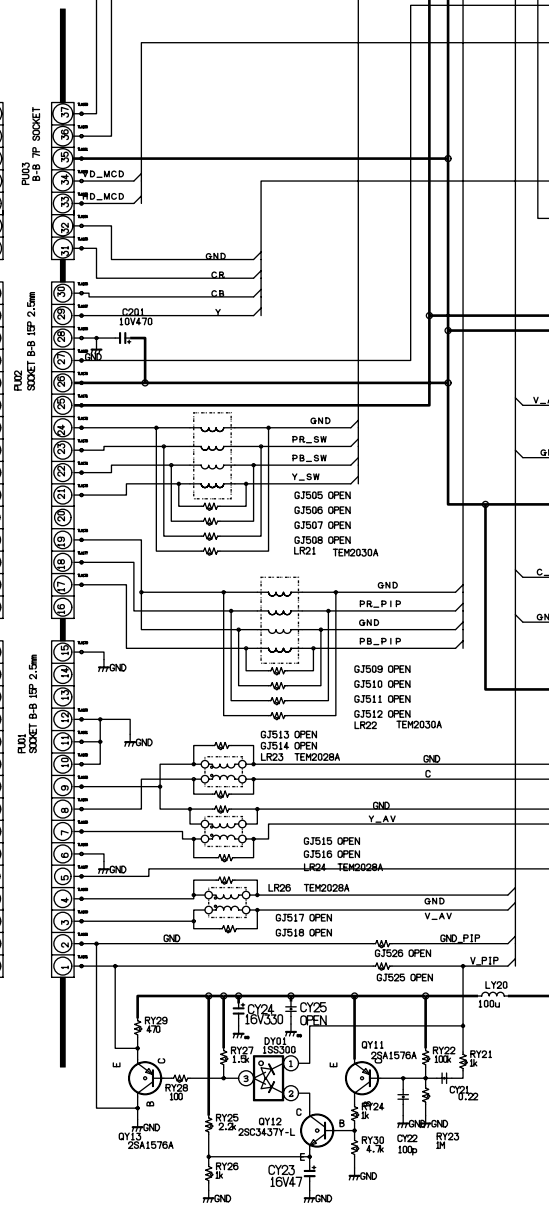
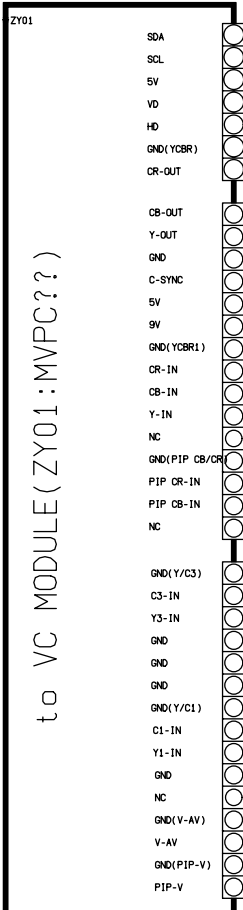
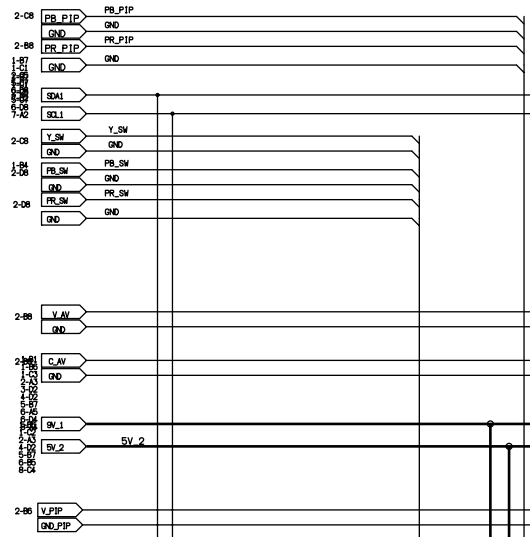
1-B1  
 3-C2

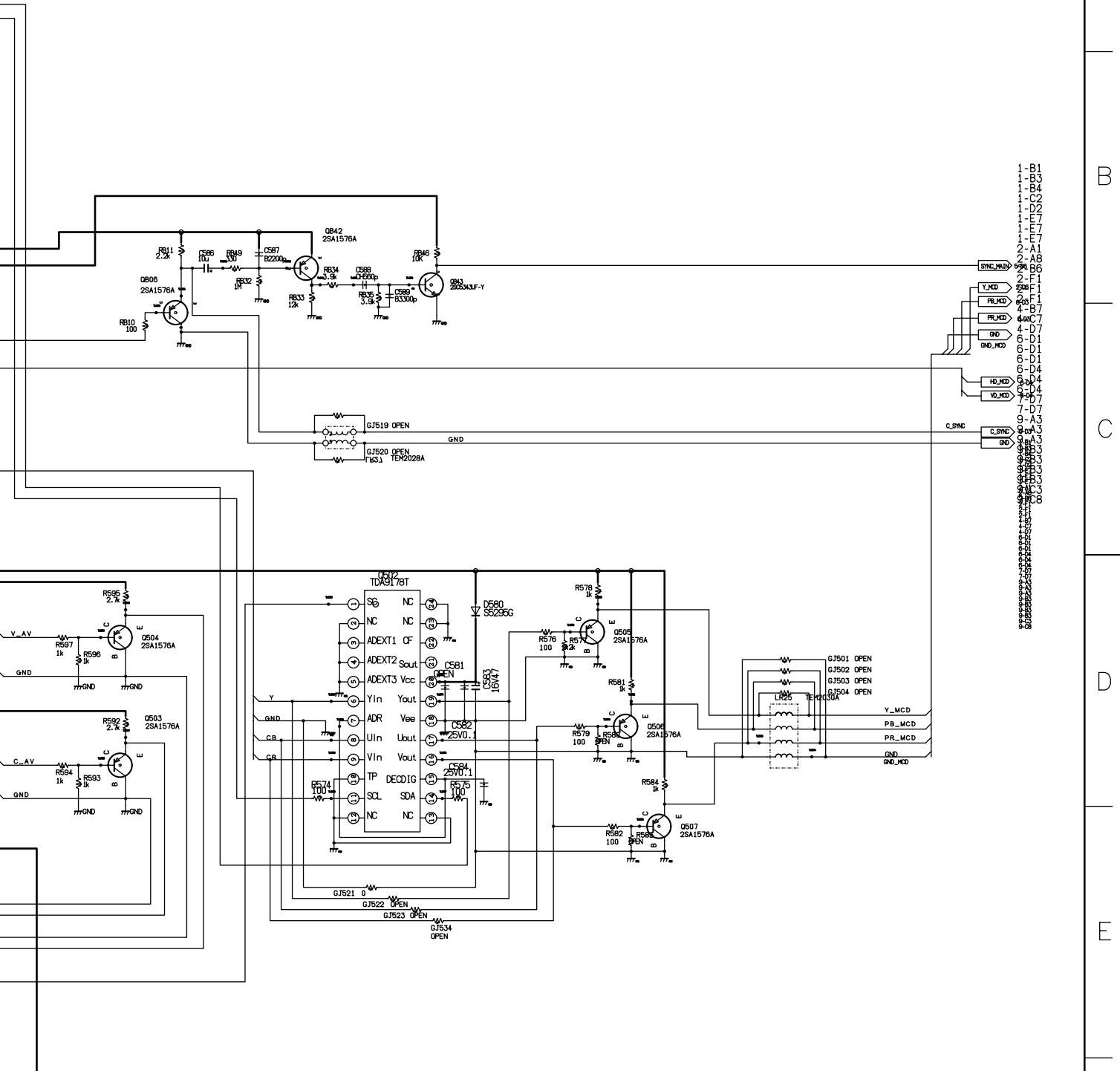




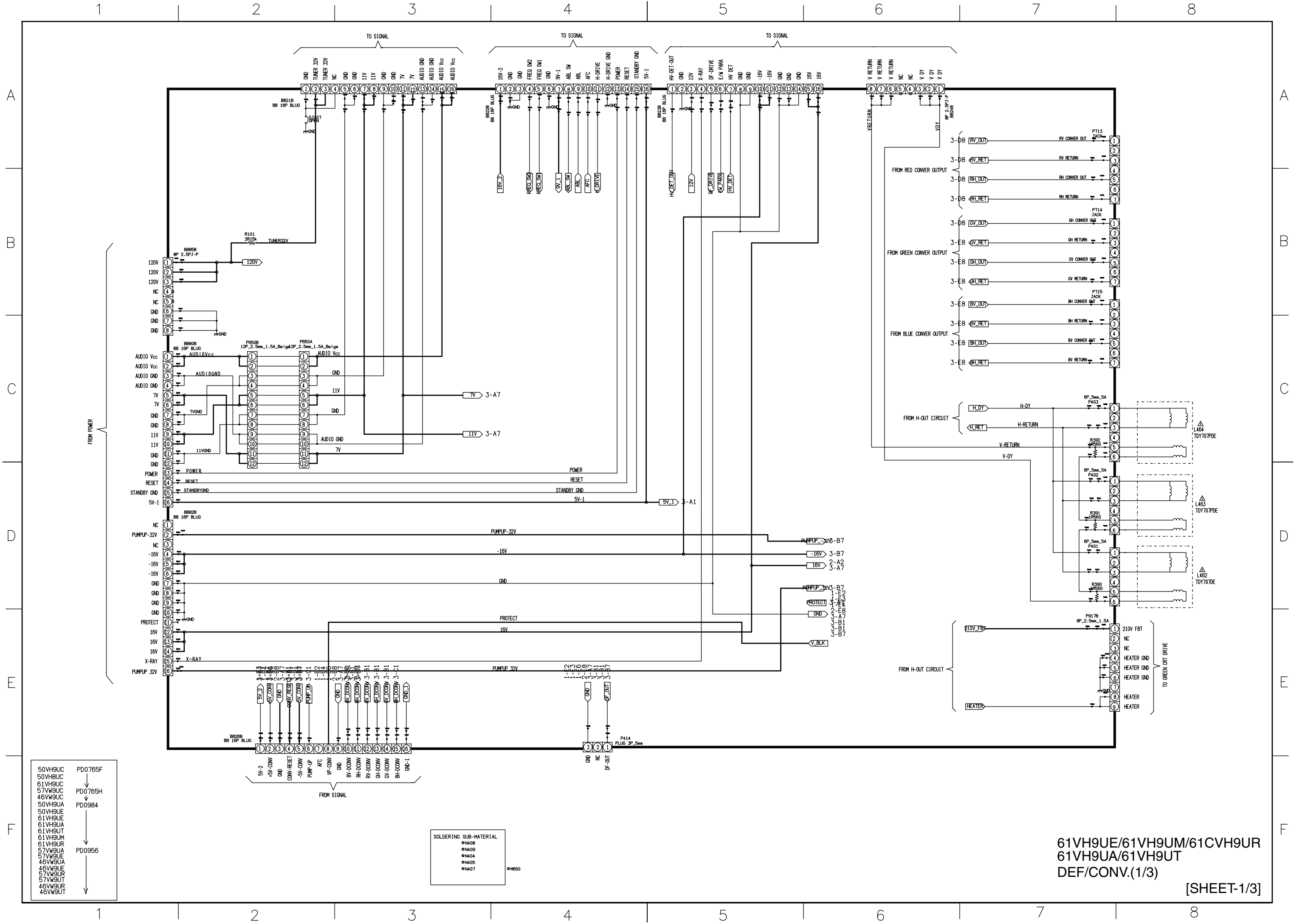
61VH9UE/61VH9UM/61CVH9UR  
 61VH9UA/61VH9UT  
 SIGNAL(REGU-OUT)  
 [SHEET-8/9]







61VH9UE/61VH9UM/61CVH9UR  
 61VH9UA/61VH9UT  
 SIGNAL(3DYCS/OTHER)  
 [SHEET-9/9]



50VH9UC	PD0765F
50VH8UC	PD0765H
61VH9UC	PD0984
57VW9UC	
46VW9UC	
50VH9UA	
50VH9UE	
61VH9UE	
61VH9UA	
61VH9UT	
61VH9UM	
61VH9UR	
57VW9UA	
57VW9UE	
46VW9UA	
46VW9UE	
57VW9UR	
57VW9UT	
46VW9UR	
46VW9UT	

SOLDERING SUB-MATERIAL	
●N408	●M550
●N409	
●N404	
●N405	
●N407	

61VH9UE/61VH9UM/61CVH9UR  
 61VH9UA/61VH9UT  
 DEF/CONV.(1/3)

1 2 3 4

A

B

C

D

E

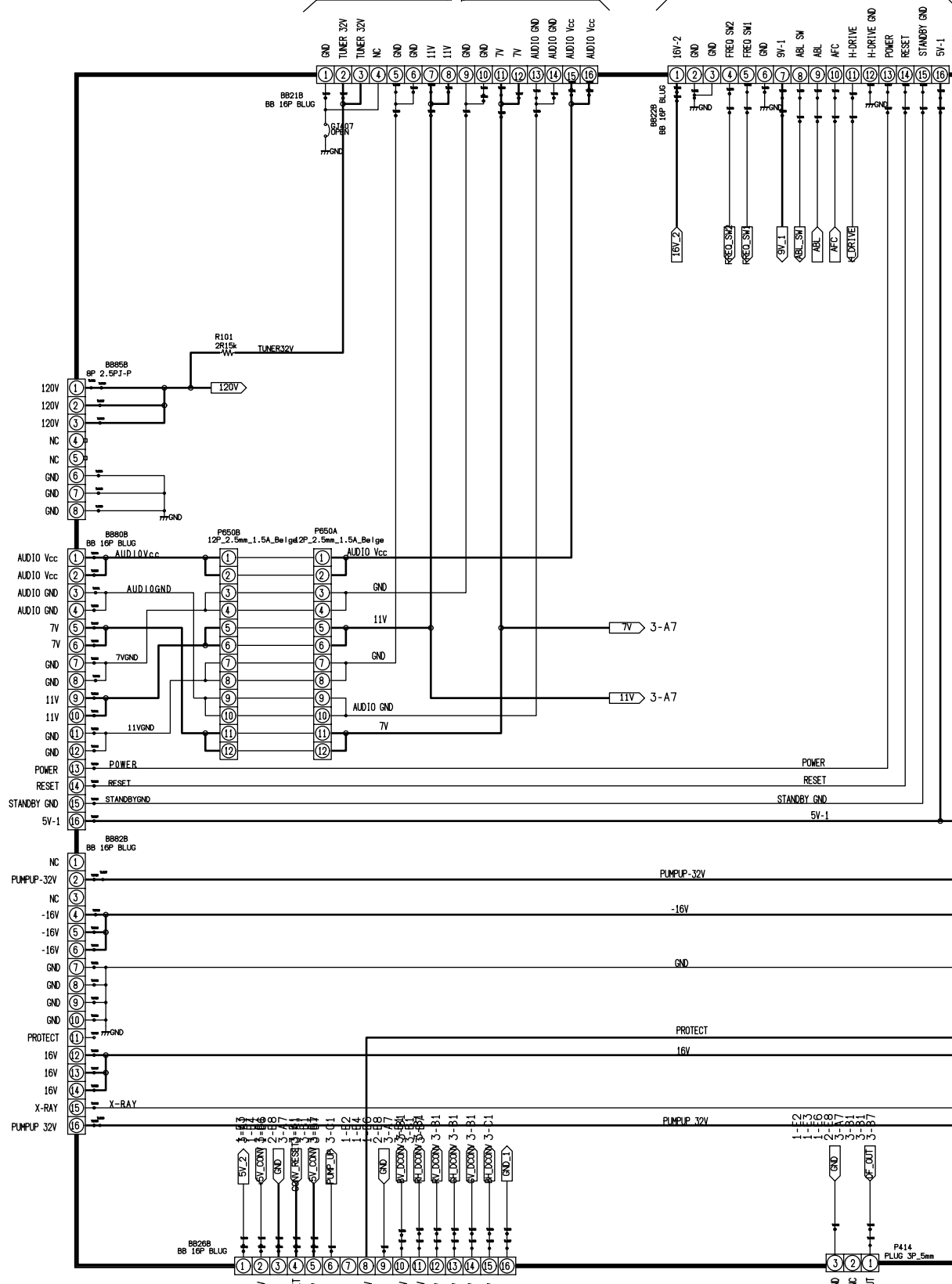
F

TO SIGNAL

TO SIGNAL

FROM POWER

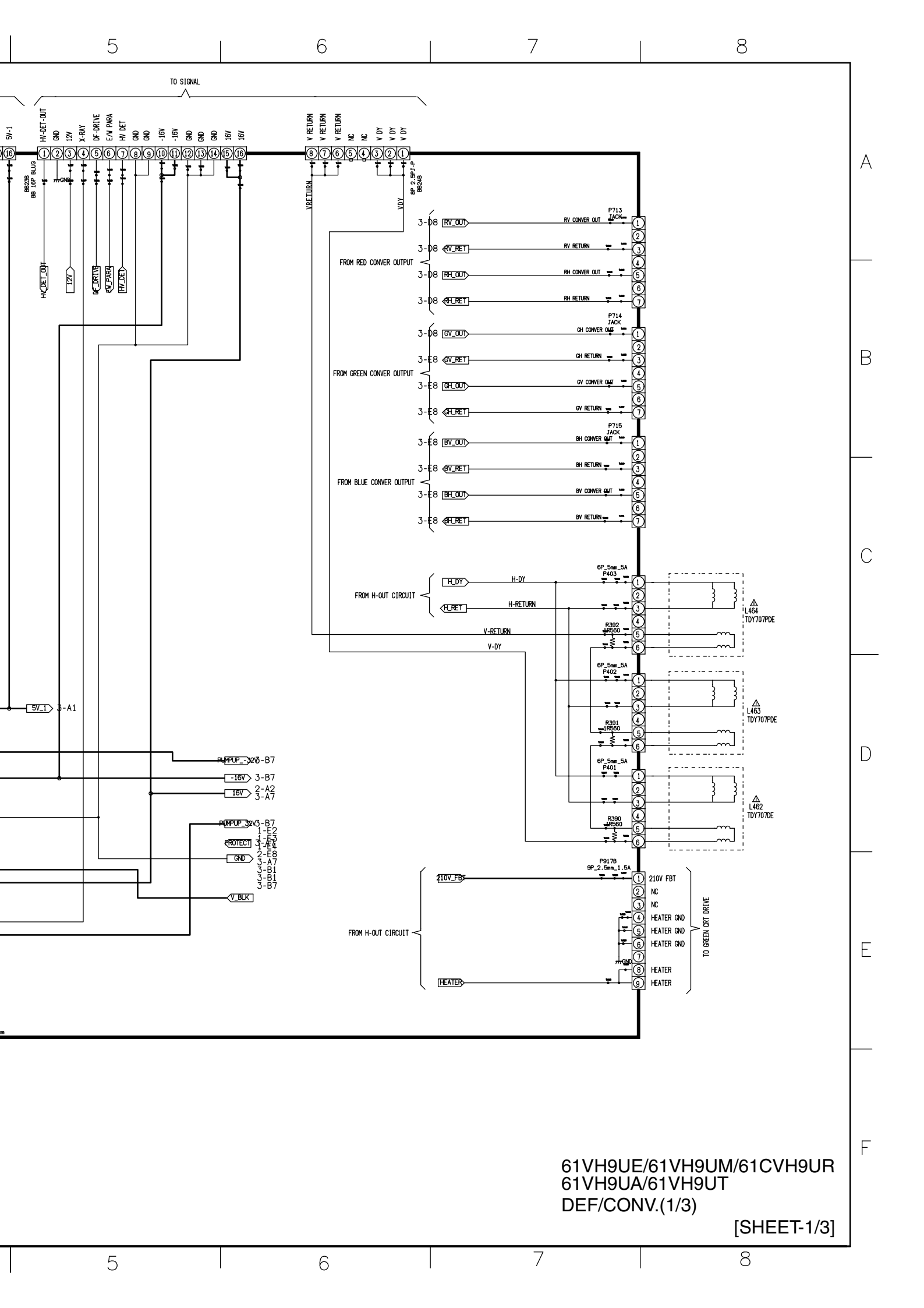
FROM SIGNAL



50VH9UC	PD0765F
50VH8UC	↓
61VH9UC	PD0765H
57VW9UC	↓
46VW9UC	PD0984
50VH9UA	↓
50VH9UE	↓
61VH9UE	↓
61VH9UA	↓
61VH9UT	↓
61VH9UM	↓
61VH9UR	↓
57VW9UA	PD0956
57VW9UE	↓
46VW9UA	↓
46VW9UE	↓
57VW9UR	↓
57VW9UT	↓
46VW9UR	↓
46VW9UT	↓

SOLDERING SUB-MATERIAL	
⌀N408	
⌀N409	
⌀N404	
⌀N405	
⌀N407	
⌀H650	

1 2 3 4



5

6

7

8

TO SIGNAL

A

B

C

D

E

F

61VH9UE/61VH9UM/61CVH9UR  
 61VH9UA/61VH9UT  
 DEF/CONV.(1/3)

[SHEET-1/3]

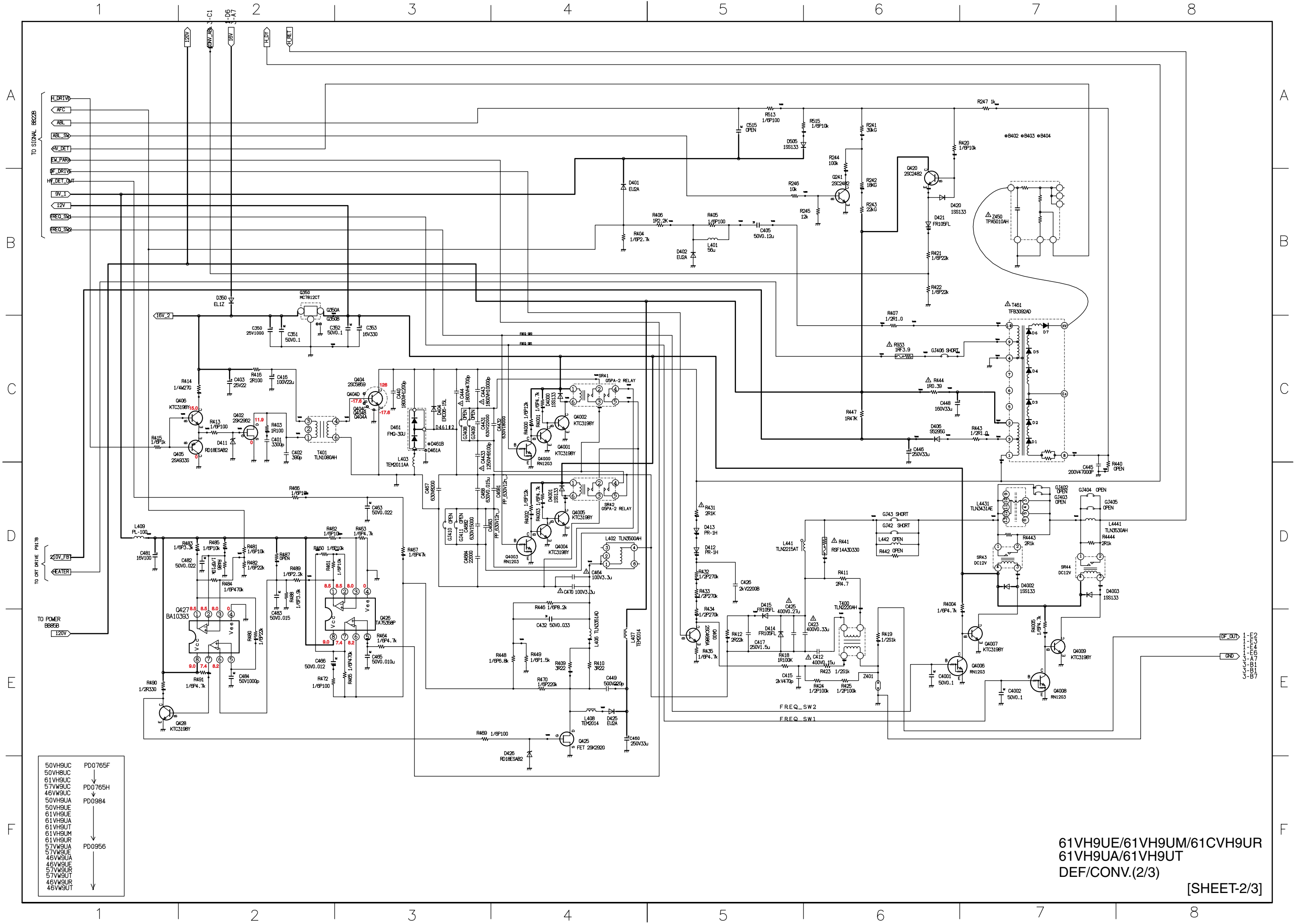
5

6

7

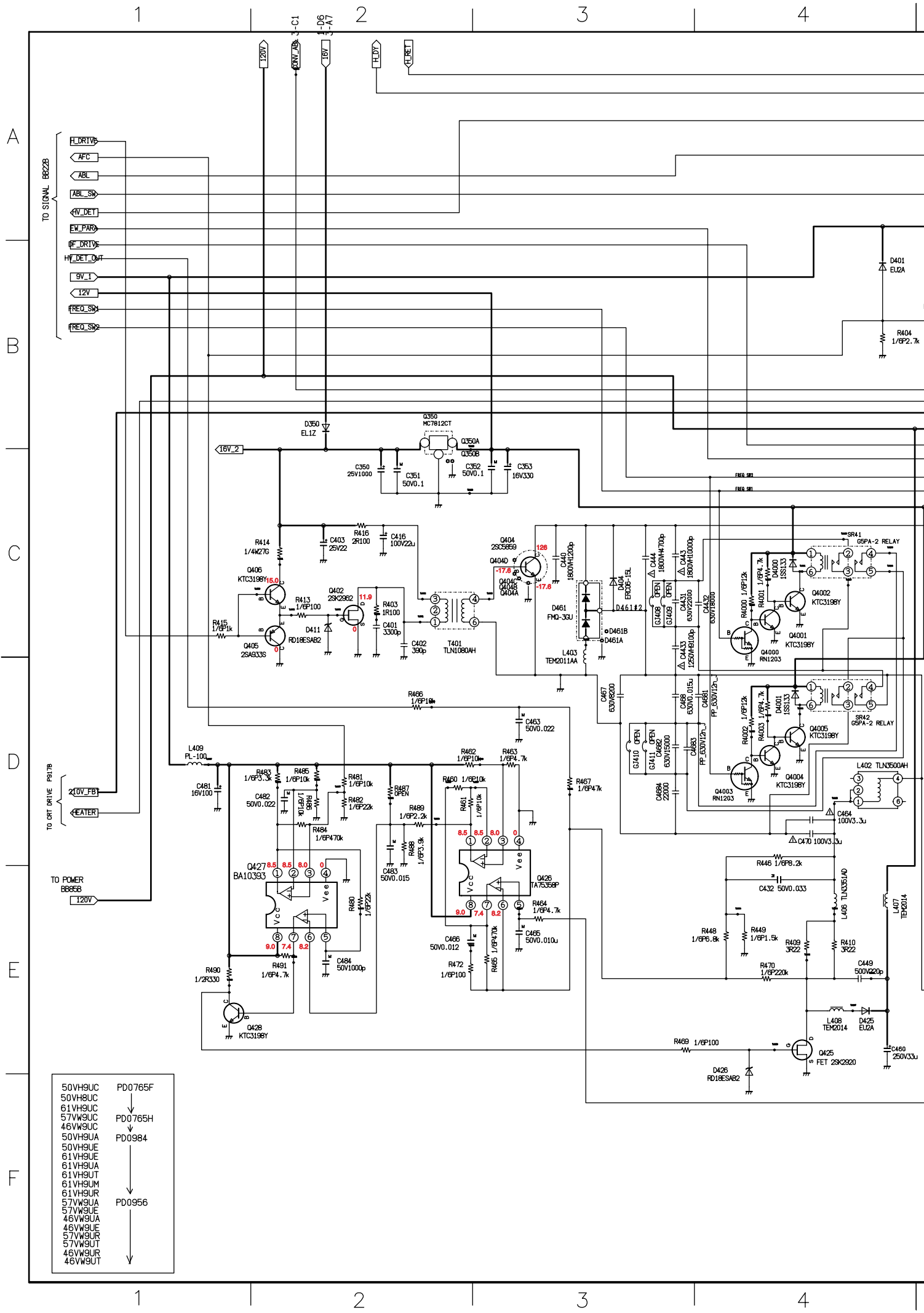
8



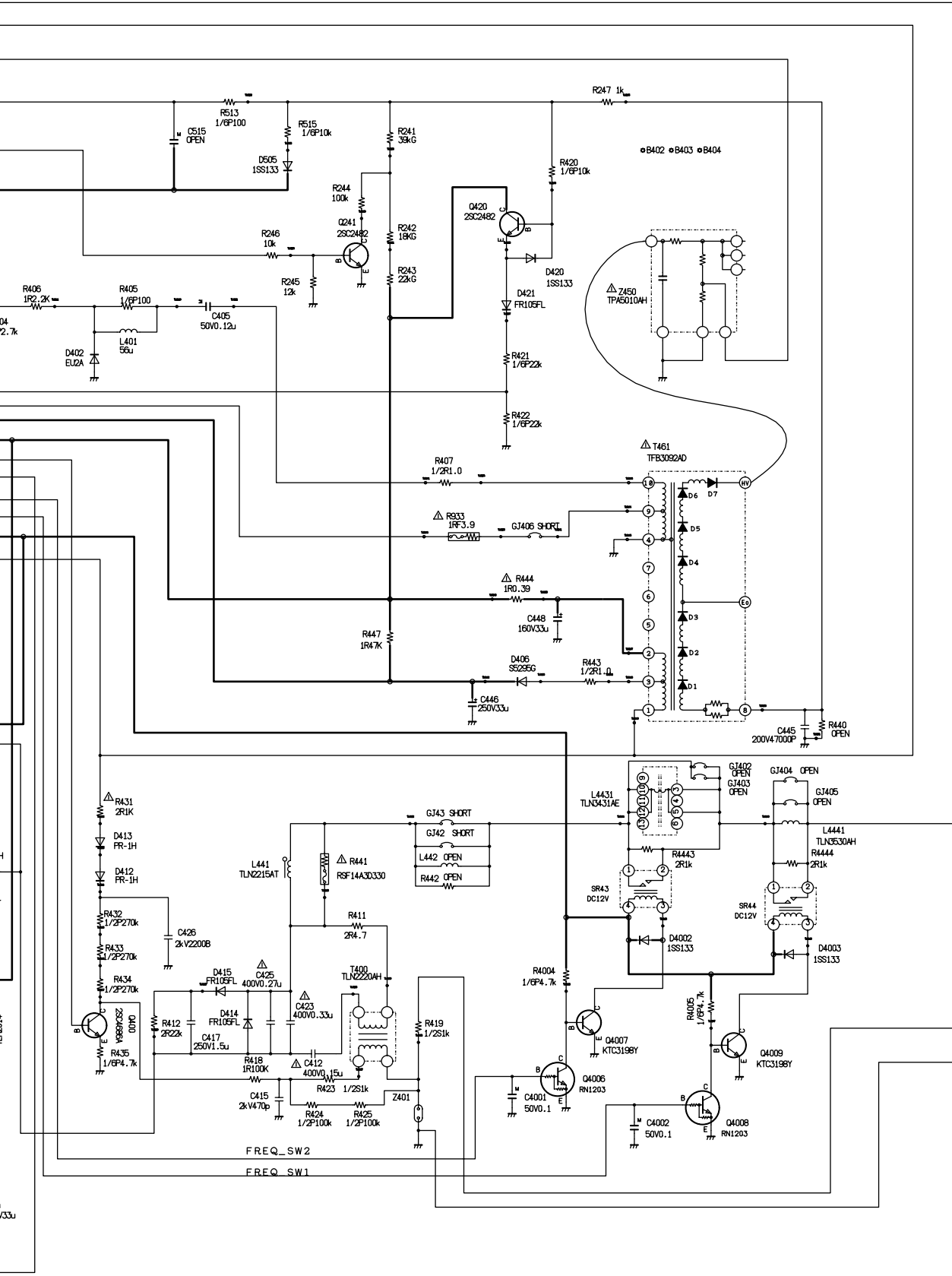


50VH9UC	PD0765F
50VH8UC	
51VH9UC	PD0765H
57VH9UC	
46VH9UC	
50VH9UA	PD0984
50VH9UE	
61VH9UE	
61VH9UA	
61VH9UT	
61VH9UM	
61VH9UR	
57VH9UA	PD0956
57VH9UE	
46VH9UA	
46VH9UE	
57VH9UR	
57VH9UT	
46VH9UR	
46VH9UT	

61VH9UE/61VH9UM/61CVH9UR  
 61VH9UA/61VH9UT  
 DEF/CONV.(2/3)

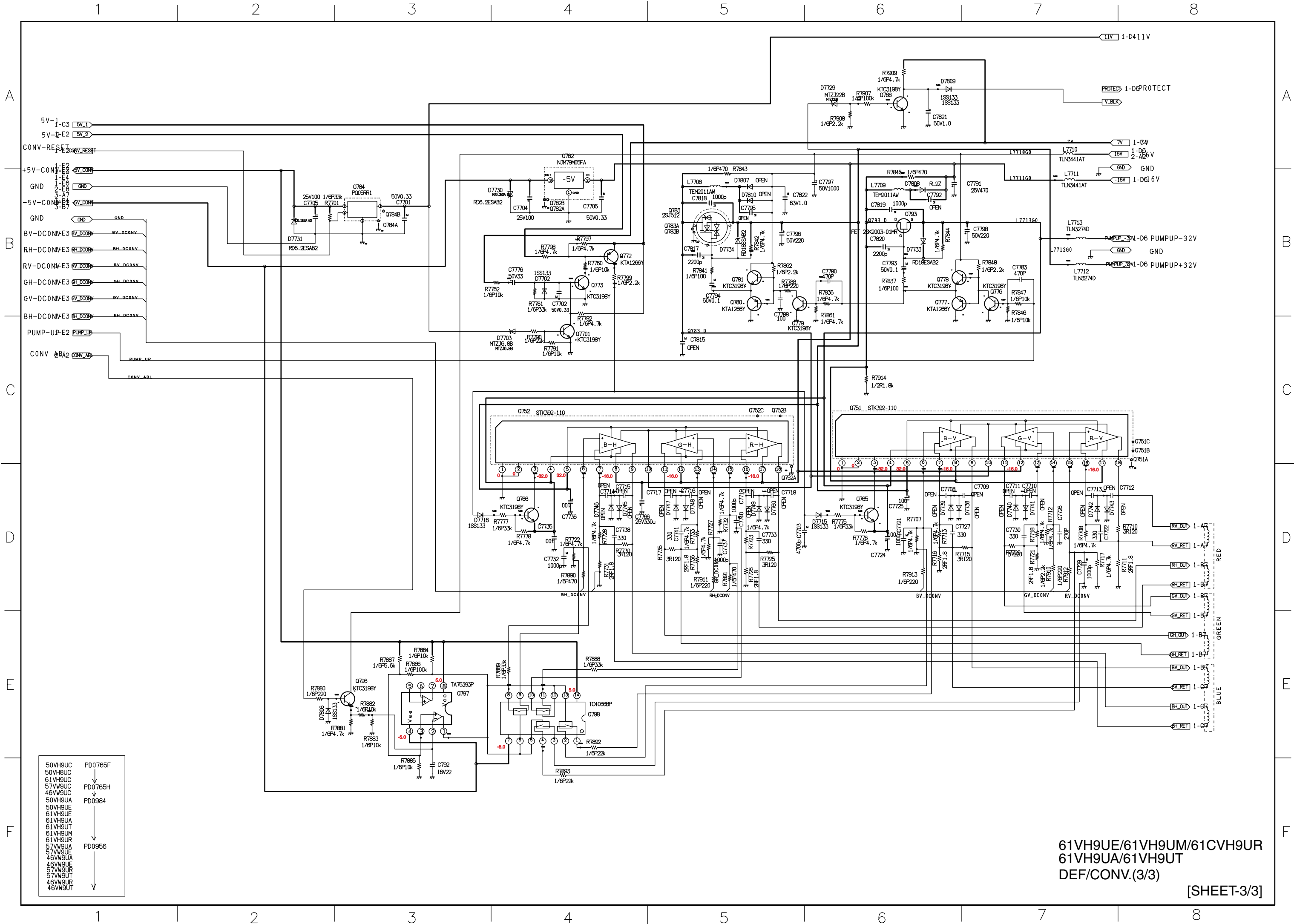


50VH9UC	PD0765F
50VH8UC	↓
61VH9UC	PD0765H
57VW9UC	↓
46VW9UC	PD0984
50VH9UA	↓
50VH9UE	↓
61VH9UA	↓
61VH9UT	↓
61VH9UT	↓
61VH9UM	↓
61VH9UR	↓
57VW9UA	PD0956
57VW9UE	↓
46VW9UA	↓
46VW9UE	↓
57VW9UR	↓
57VW9UT	↓
46VW9UR	↓
46VW9UT	↓



61VH9UE/61VH9UM/61CVH9UR  
 61VH9UA/61VH9UT  
 DEF/CONV.(2/3)

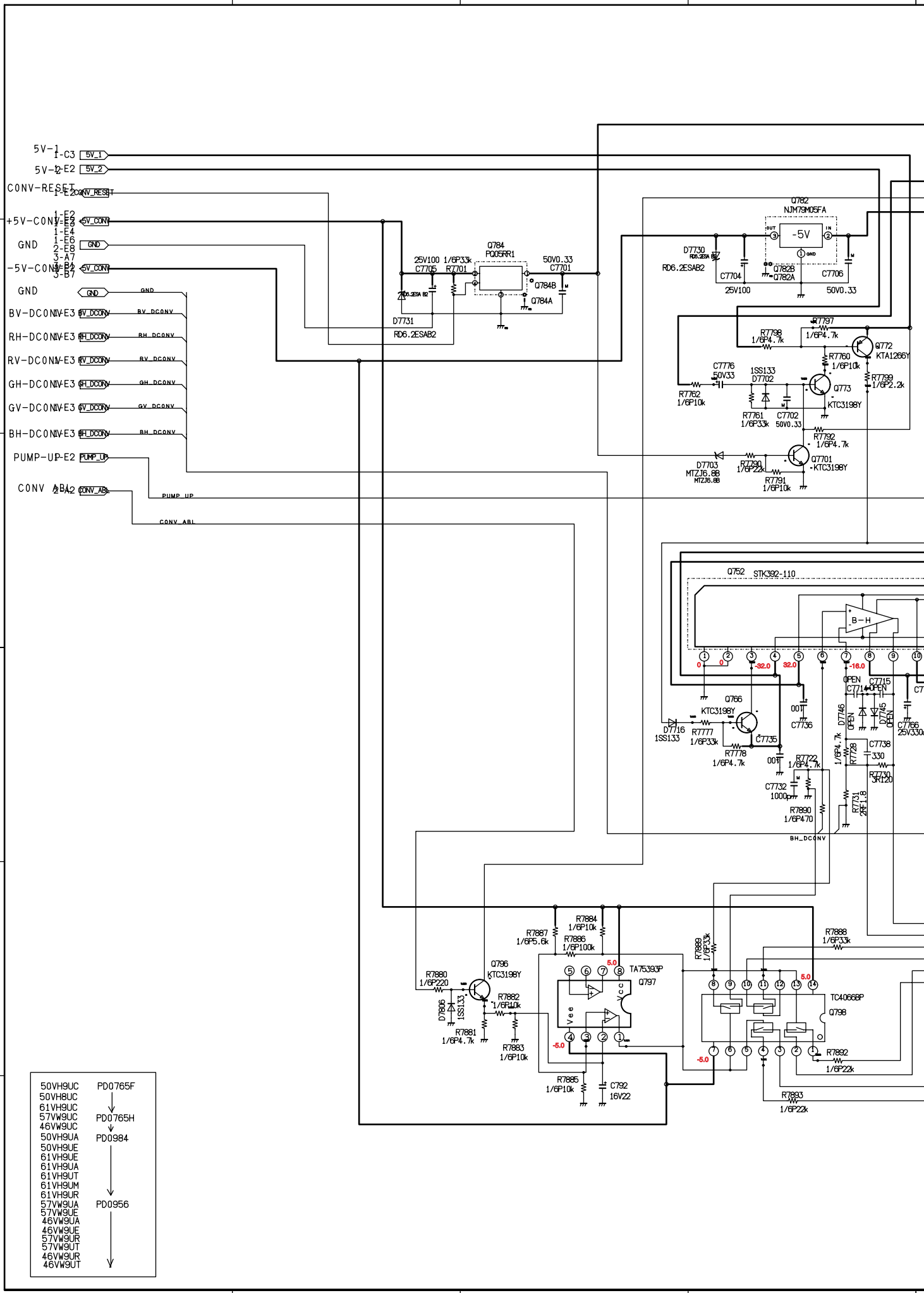
[SHEET-2/3]



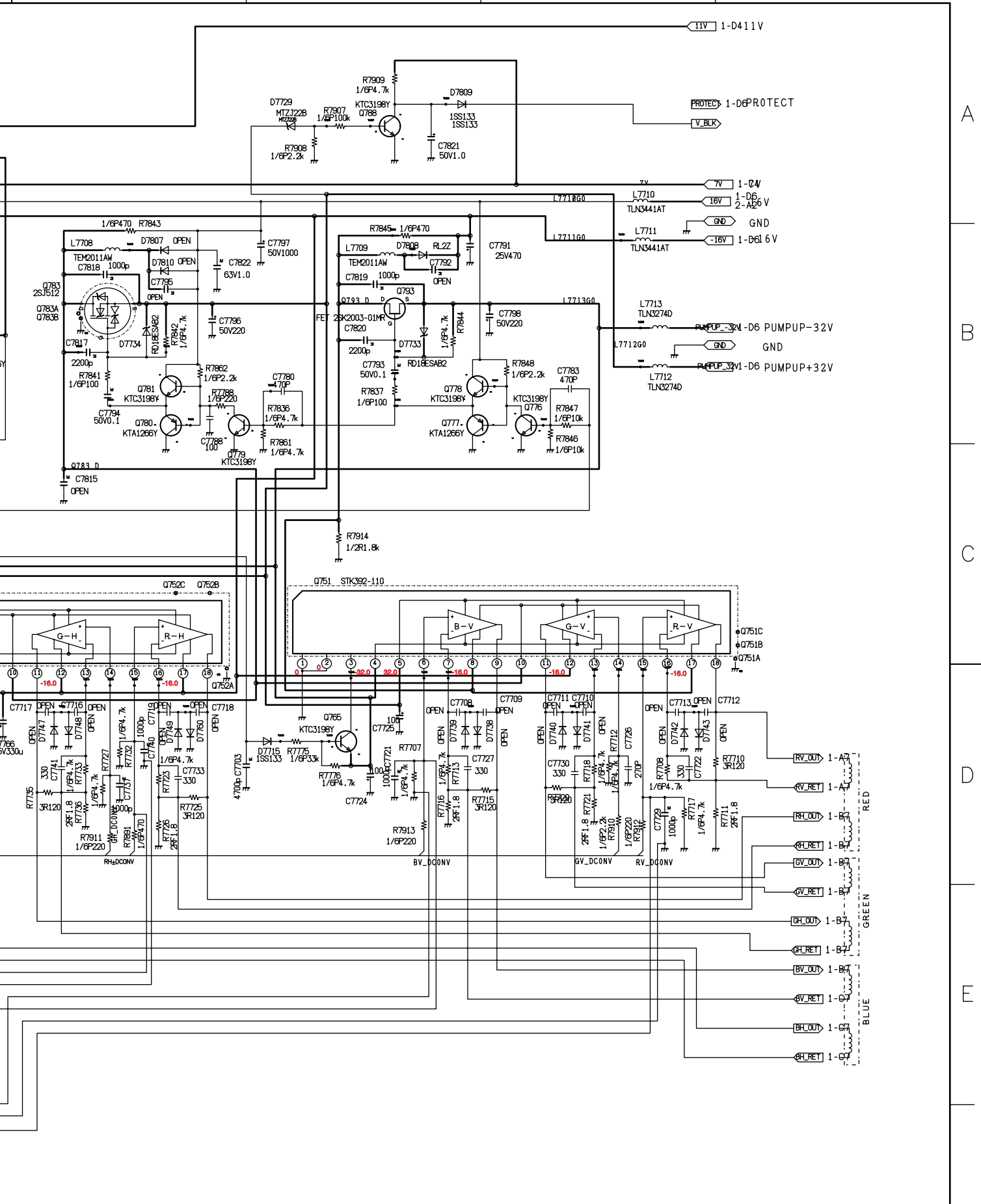
50VH9UC	PD0765F
50VH8UC	↓
61VH9UC	PD0765H
57VW9UC	↓
46VW9UC	PD0984
50VH9UA	↓
50VH9UE	↓
61VH9UE	↓
61VH9UA	↓
61VH9UT	↓
61VH9UM	↓
61VH9UR	PD0956
57VW9UA	↓
57VW9UE	↓
46VW9UA	↓
46VW9UE	↓
57VW9UR	↓
57VW9UT	↓
46VW9UR	↓
46VW9UT	↓

61VH9UE/61VH9UM/61CVH9UR  
 61VH9UA/61VH9UT  
 DEF/CONV.(3/3)

A  
B  
C  
D  
E  
F



50VH9UC	PD0765F
50VH8UC	↓
61VH9UC	PD0765H
57VW9UC	↓
46VW9UC	PD0984
50VH9UA	↓
50VH9UE	↓
61VH9UE	↓
61VH9UA	↓
61VH9UT	↓
61VH9UM	↓
61VH9UR	PD0956
57VW9UA	↓
57VW9UE	↓
46VW9UA	↓
46VW9UE	↓
57VW9UR	↓
57VW9UT	↓
46VW9UR	↓
46VW9UT	↓



A

B

C

D

E

F

61VH9UE/61VH9UM/61CVH9UR  
 61VH9UA/61VH9UT  
 DEF/CONV.(3/3)

[SHEET-3/3]

A

B

C

D

E

F

A

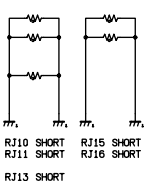
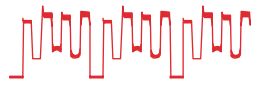
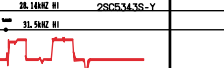
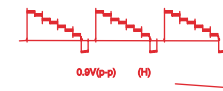
B

C

D

E

F

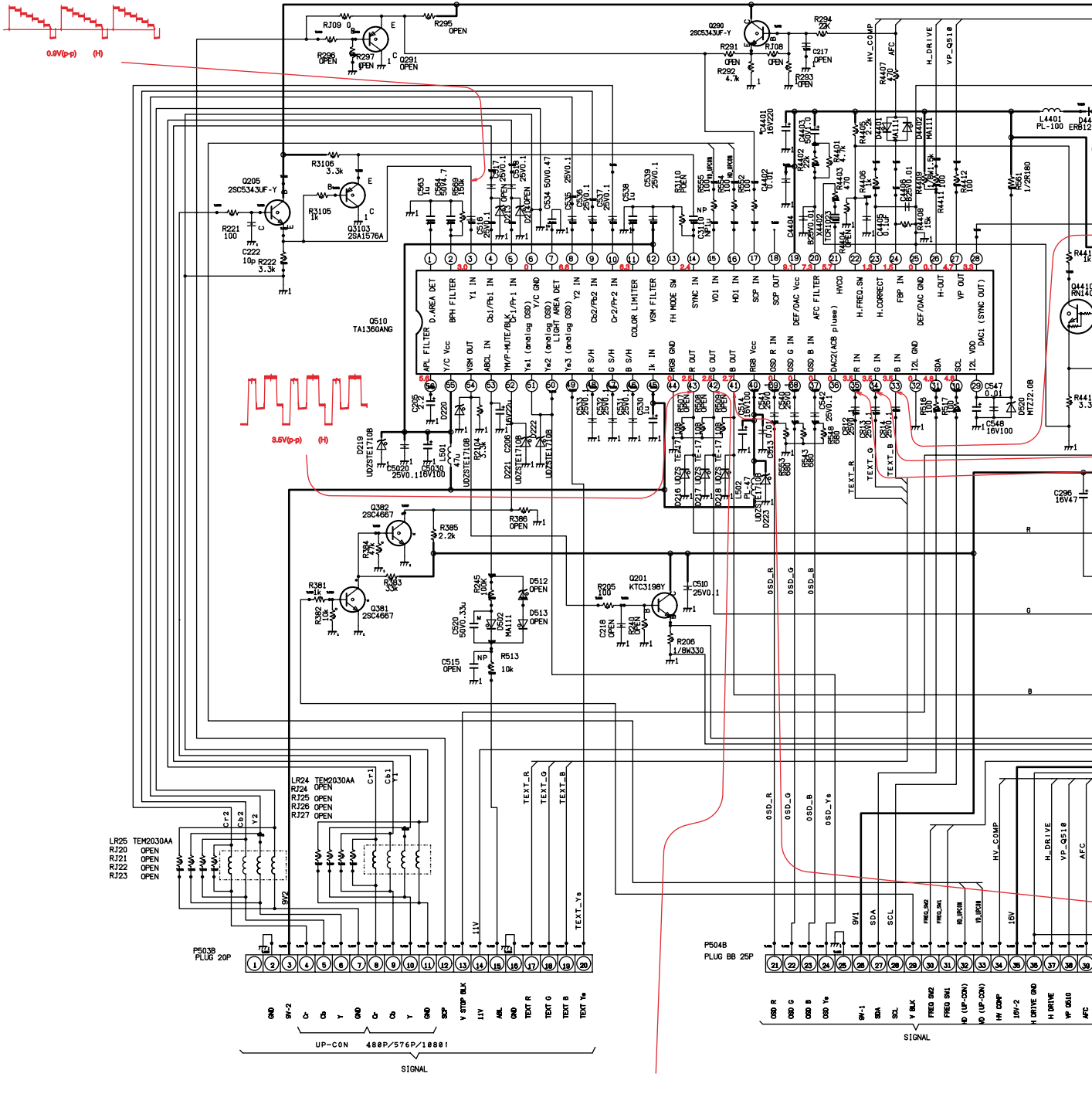
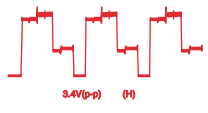
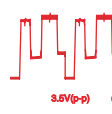
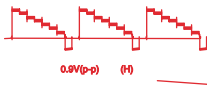


- SOLDERING SUB-MATERIAL
- N508
  - N509
  - N504
  - N505
  - N507
  - N511

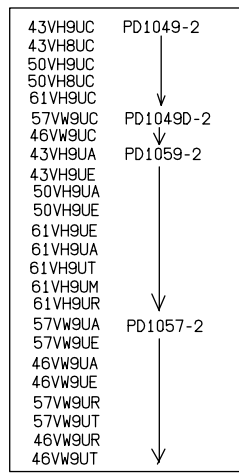
- 43VH9UC
  - 43VH8UC
  - 50VH9UC
  - 50VH8UC
  - 61VH9UC
  - 57VW9UC
  - 46VW9UC
  - 43VH9UA
  - 43VH9UE
  - 50VH9UA
  - 50VH9UE
  - 61VH9UA
  - 61VH9UE
  - 61VH9UT
  - 61VH9UM
  - 61VH9UR
  - 57VW9UA
  - 57VW9UE
  - 46VW9UA
  - 46VW9UE
  - 57VW9UR
  - 57VW9UT
  - 46VW9UR
  - 46VW9UT
- PD1049-2  
PD1049D-2  
PD1059-2  
PD1057-2

61VH9UE/61VH9UM/61CVH9UR  
61VH9UA/61VH9UT  
BEP

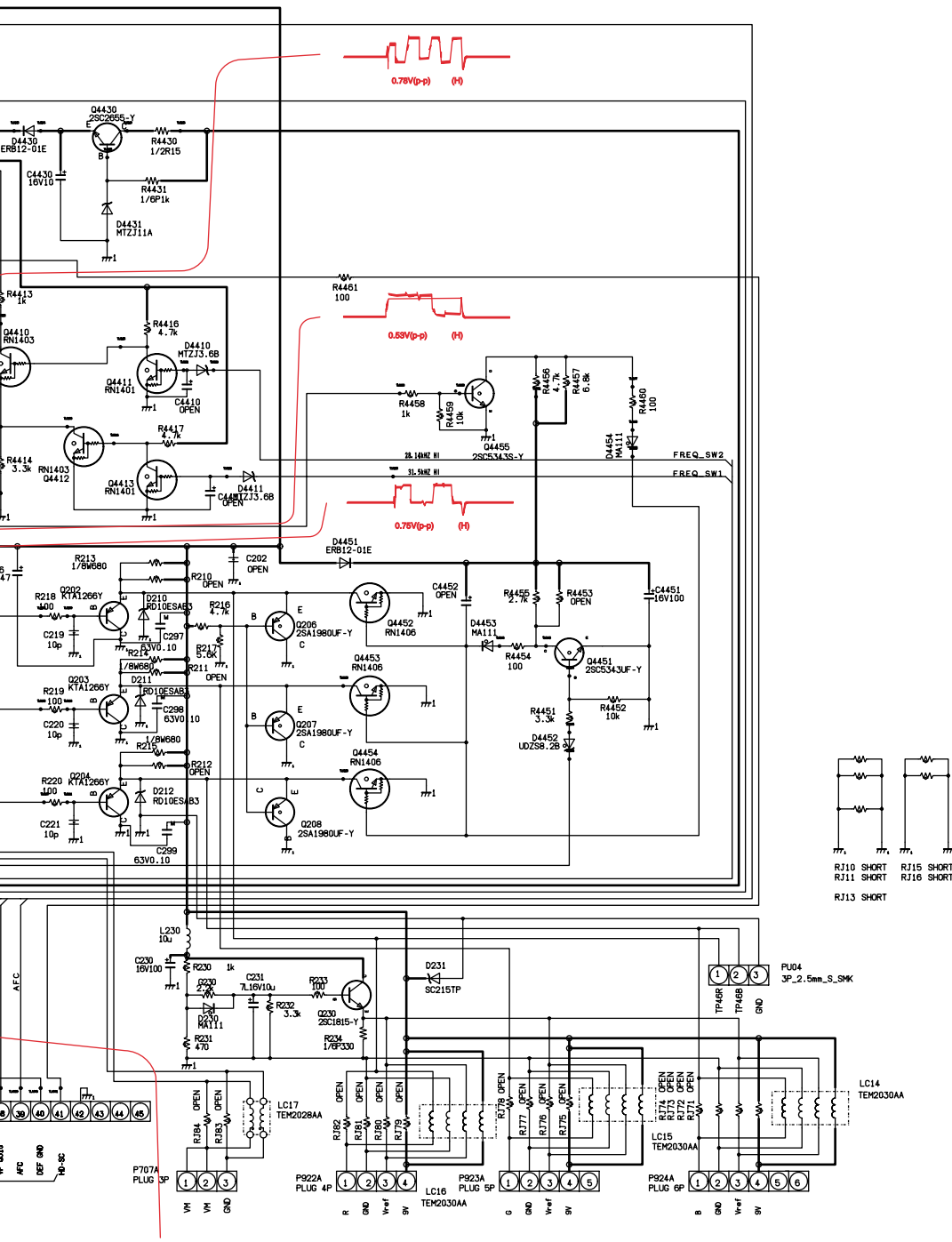




- SOLDERING SUB-MATERIAL**
- N508
  - N509
  - N504
  - N505
  - N507
  - N511

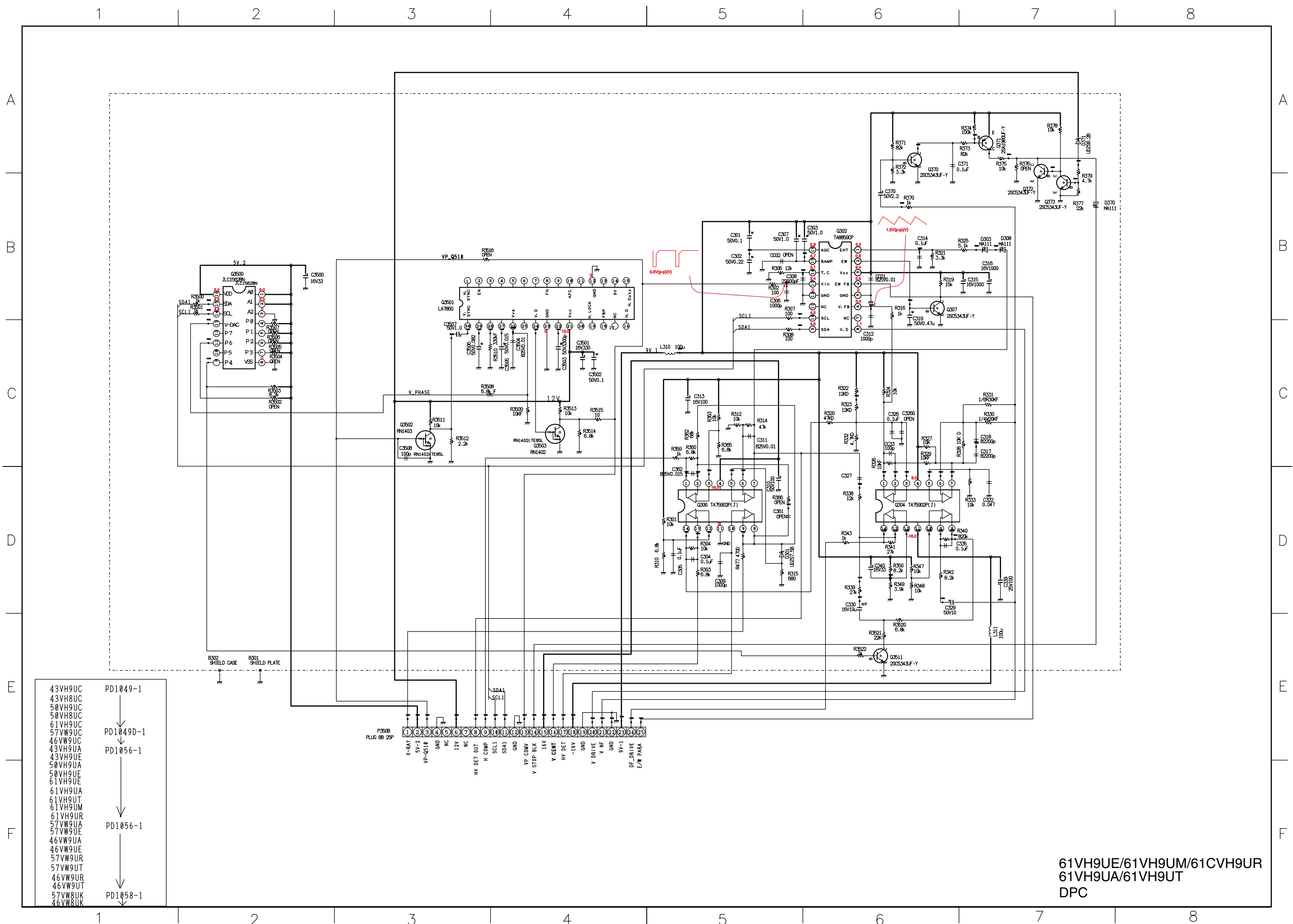






- RJ10 SHORT
- RJ11 SHORT
- RJ13 SHORT
- RJ15 SHORT
- RJ16 SHORT

61VH9UE/61VH9UM/61CVH9UR  
 61VH9UA/61VH9UT  
 BEP



- 43VH9UC
- 43VH8UC
- 50VH9UC
- 50VH8UC
- 61VH9UC
- 57VH9UC
- 46VW9UC
- 43VH9UA
- 43VH9UE
- 50VH9UA
- 61VH9UE
- 61VH9UA
- 61VH9UT
- 61VH9UR
- 57VW9UA
- 57VW9UE
- 46VW9UA
- 46VW9UE
- 57VW9UR
- 57VW9UT
- 46VW9UR
- 46VW9UT
- 57VW8UK
- 46VW8UK

- PD1049-1
- PD1049D-1
- PD1056-1
- PD1056-1
- PD1058-1

61VH9UE/61VH9UM/61CVH9UR  
 61VH9UA/61VH9UT  
 DPC

1 2 3 4

A

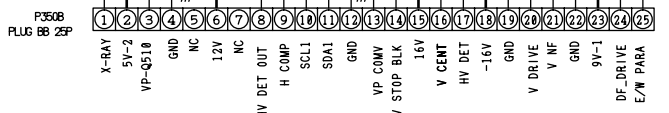
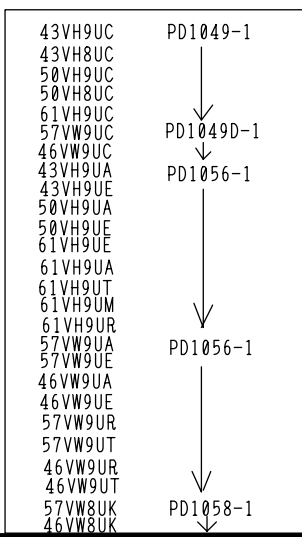
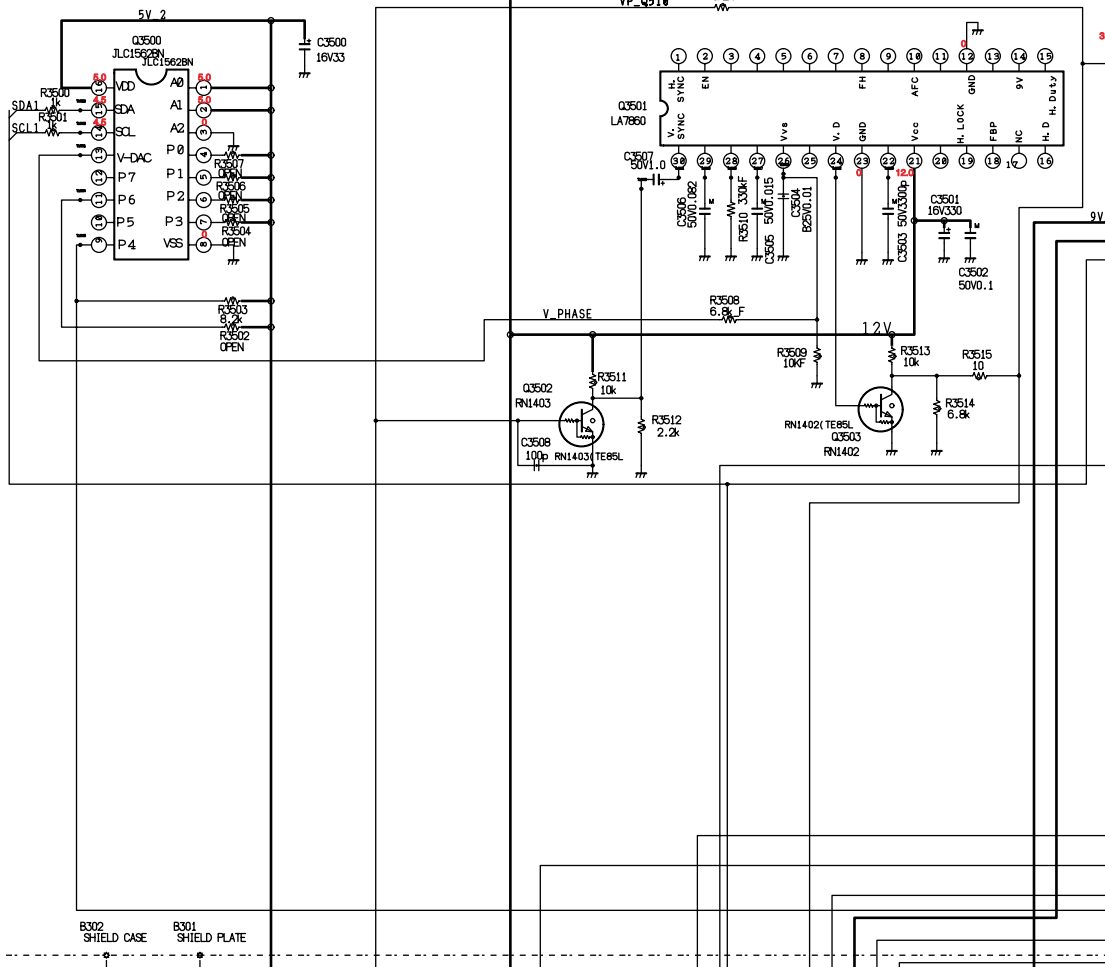
B

C

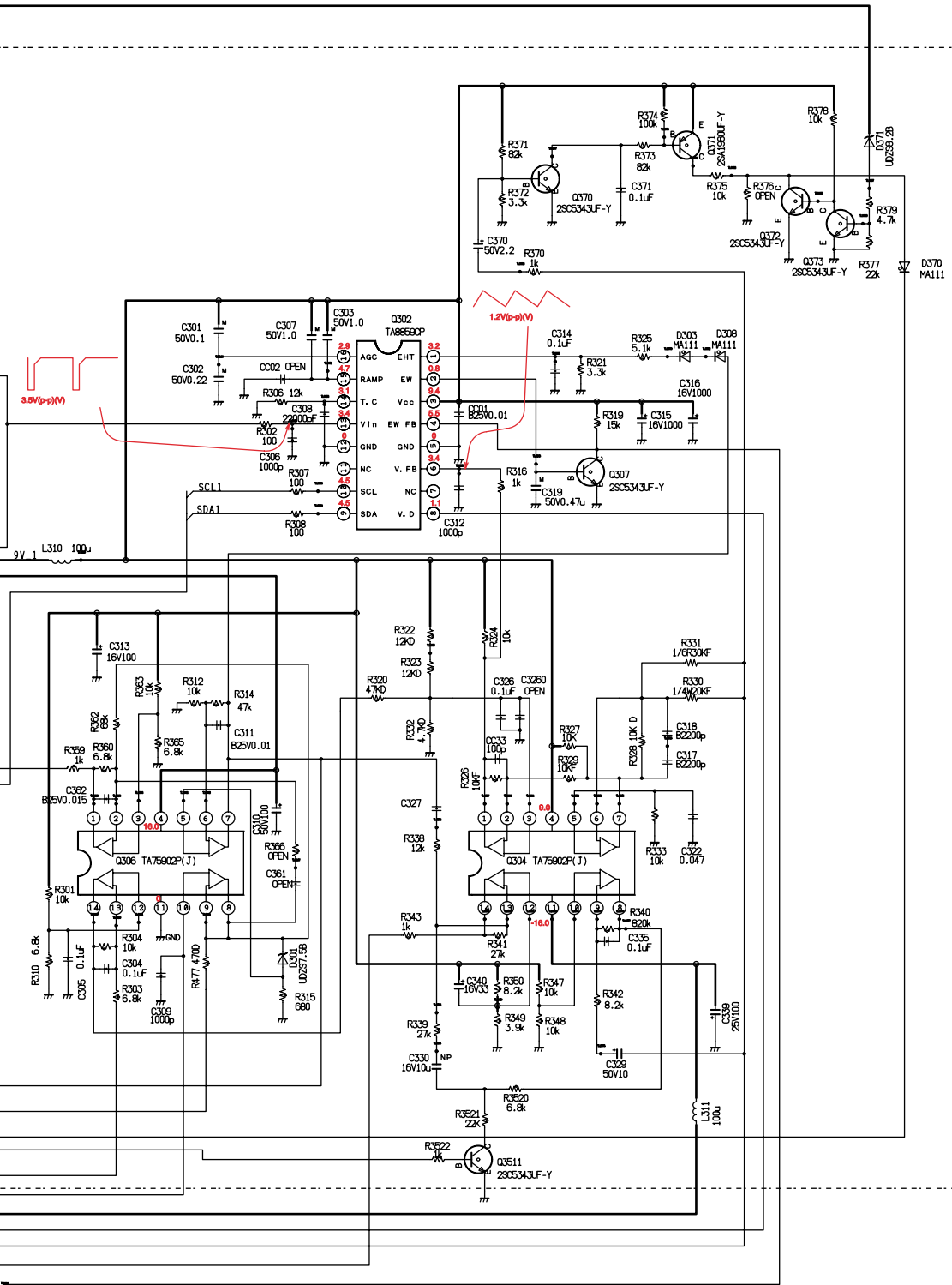
D

E

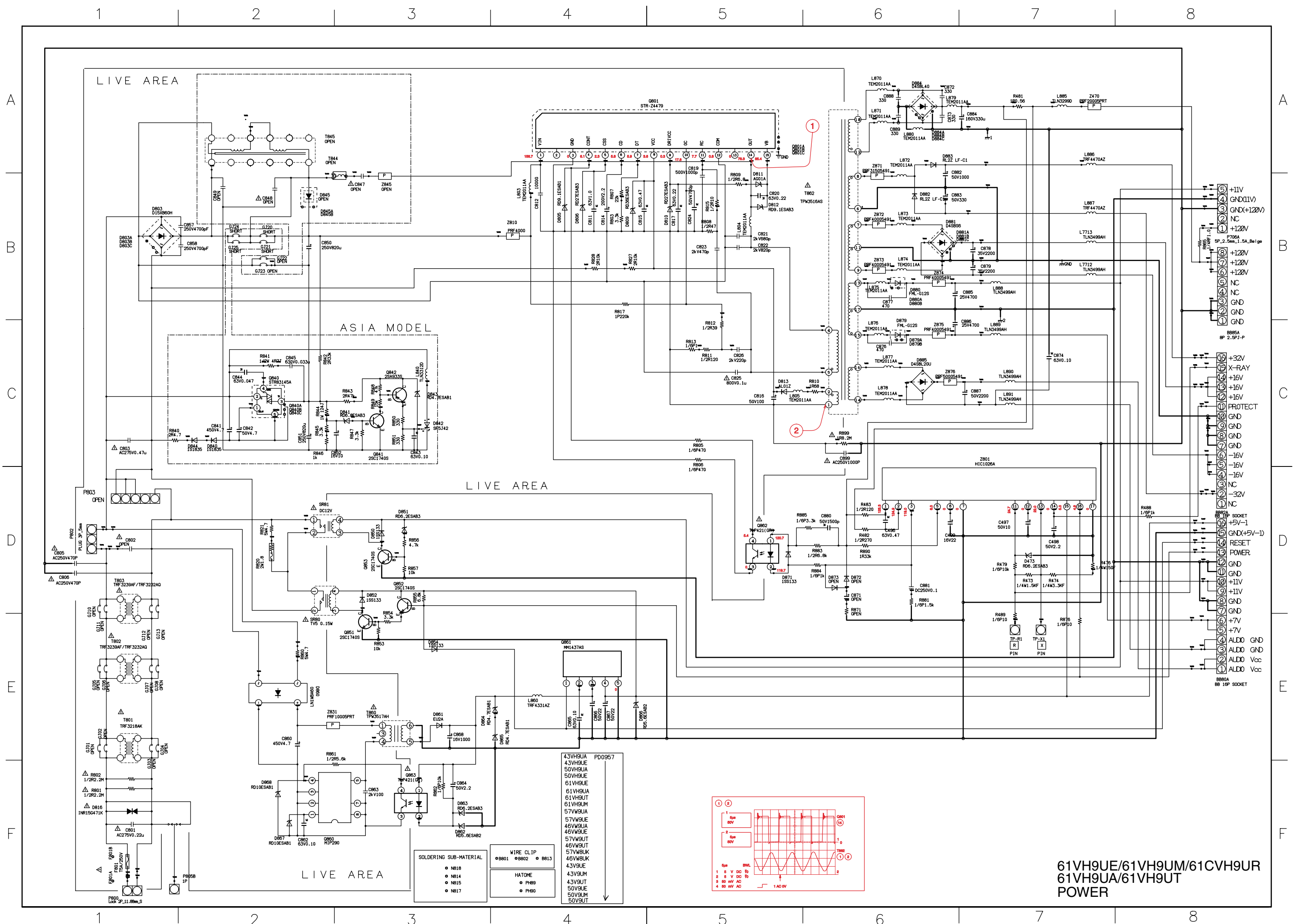
F



1 2 3 4

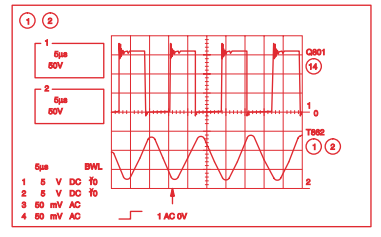


61VH9UE/61VH9UM/61CVH9UR  
61VH9UA/61VH9UT  
DPC



- 43VH9UA PD0957  
 43VH9UE  
 50VH9UA  
 50VH9UE  
 61VH9UE  
 61VH9UA  
 61VH9UT  
 61VH9UM  
 57VH9UA  
 57VH9UE  
 46VH9UA  
 46VH9UE  
 57VH9UT  
 46VH9UT  
 57VH9UK  
 46VH9UK  
 43V9UE  
 43V9UM  
 43V9UT  
 50V9UE  
 50V9UM  
 50V9UT

- SOLDERING SUB-MATERIAL
- NB18
  - NB14
  - NB15
  - NB17
- WIRE CLIP
- B801
  - B802
  - B813
- HATONE
- PH89
  - PH90



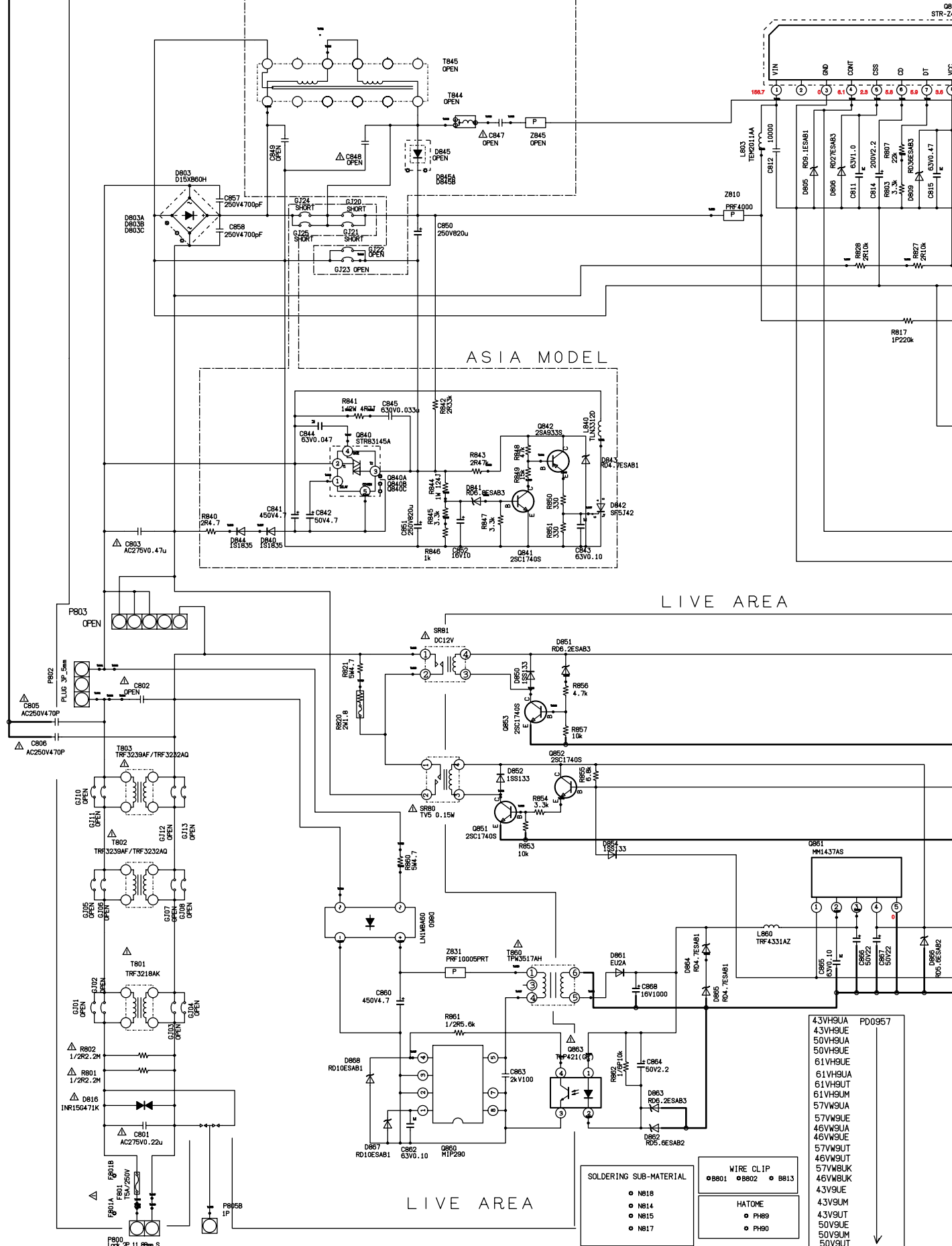
61VH9UE/61VH9UM/61CVH9UR  
 61VH9UA/61VH9UT  
 POWER

LIVE AREA

ASIA MODEL

LIVE AREA

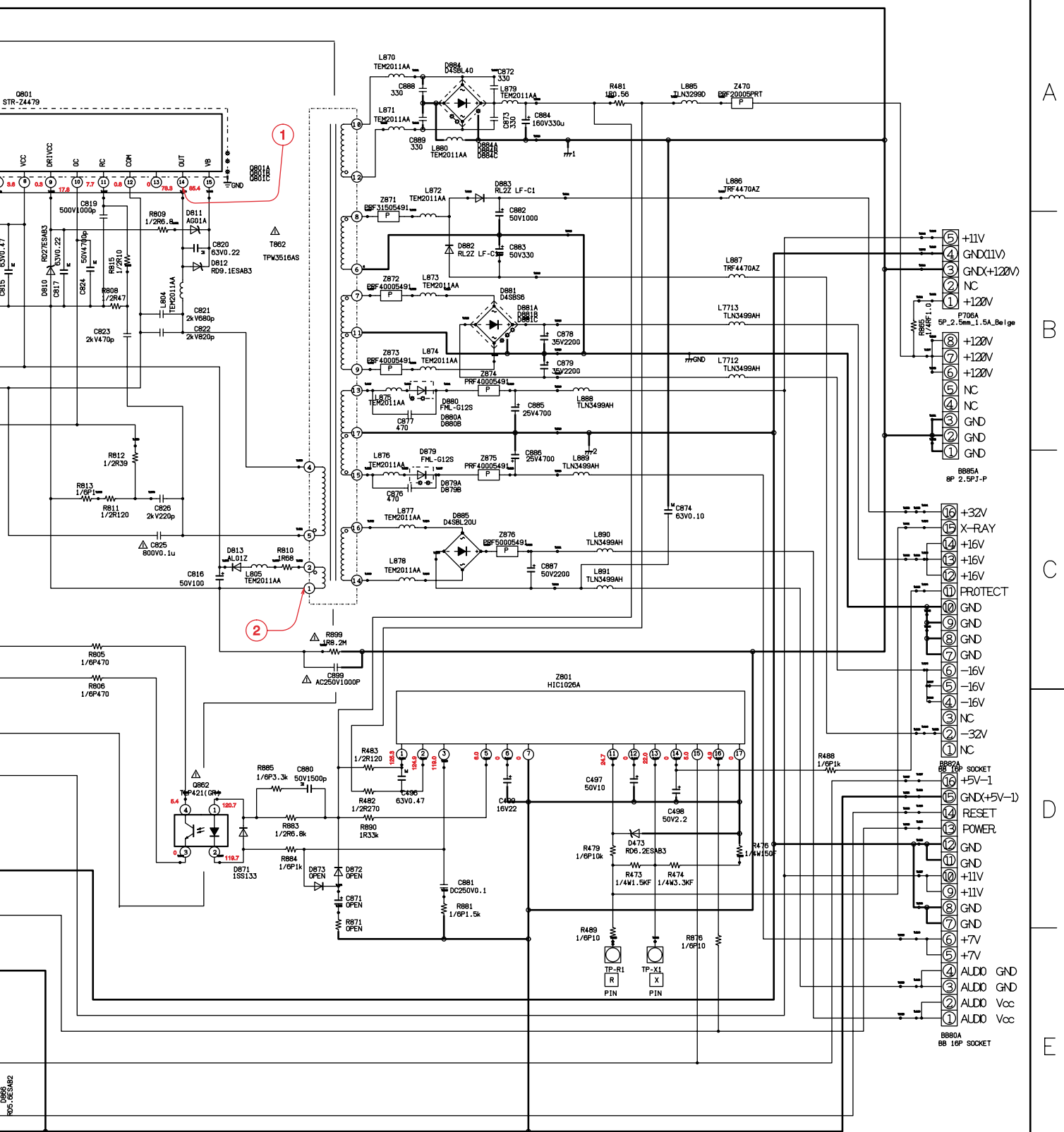
LIVE AREA



- SOLDERING SUB-MATERIAL**
- N818
  - N814
  - N815
  - N817

- WIRE CLIP**
- B801
  - B802
  - B813
- HATOME**
- PH89
  - PH90

- 43VH9UA  
43VH9UE  
50VH9A  
50VH9UE  
61VH9A  
61VH9UE  
61VH9UT  
57VH9A  
57VH9UE  
46VH9A  
46VH9UE  
57VH9UT  
46VH9UT  
57VH9UK  
46VH9UK  
43V9UE  
43V9UM  
43V9UT  
50V9UE  
50V9UM  
50V9UT



A

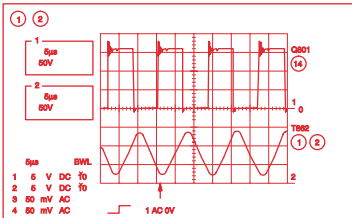
B

C

D

E

F



61VH9UE/61VH9UM/61CVH9UR  
 61VH9UA/61VH9UT  
 POWER



A

B

C

D

E

F

A

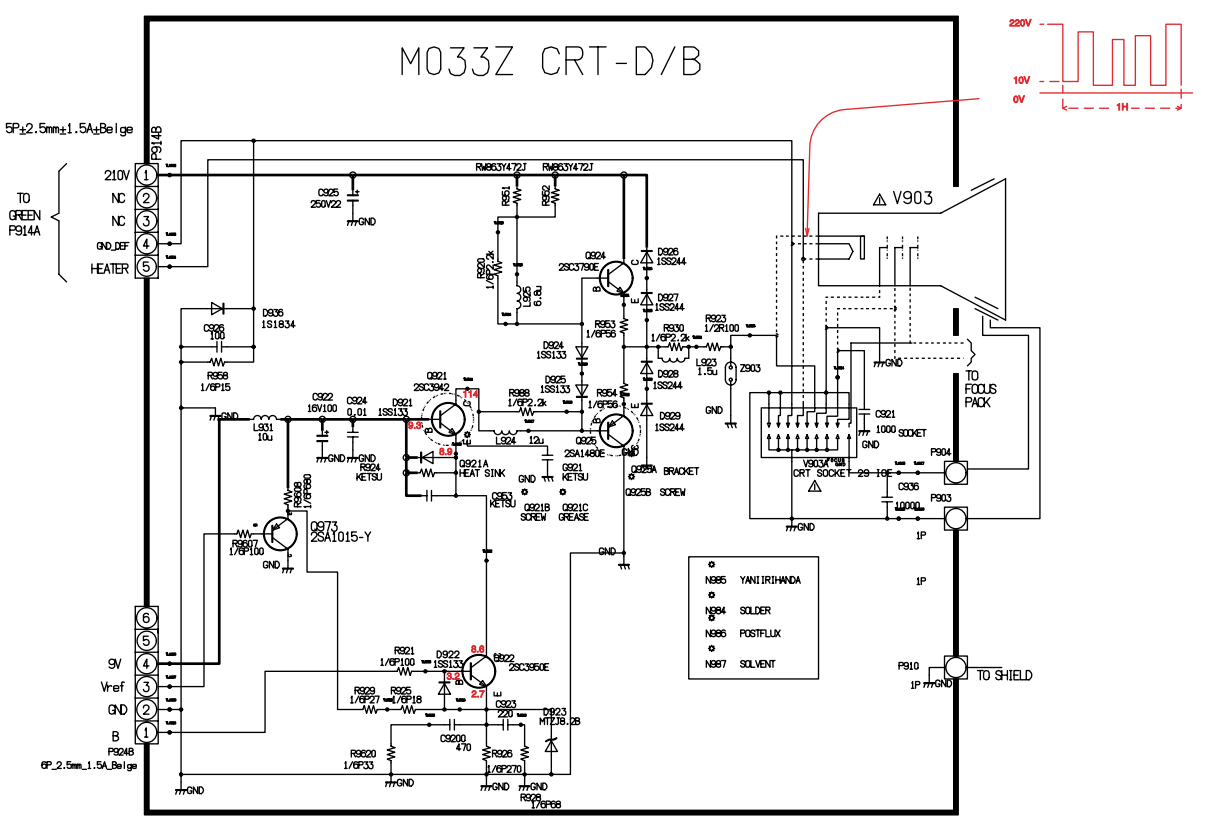
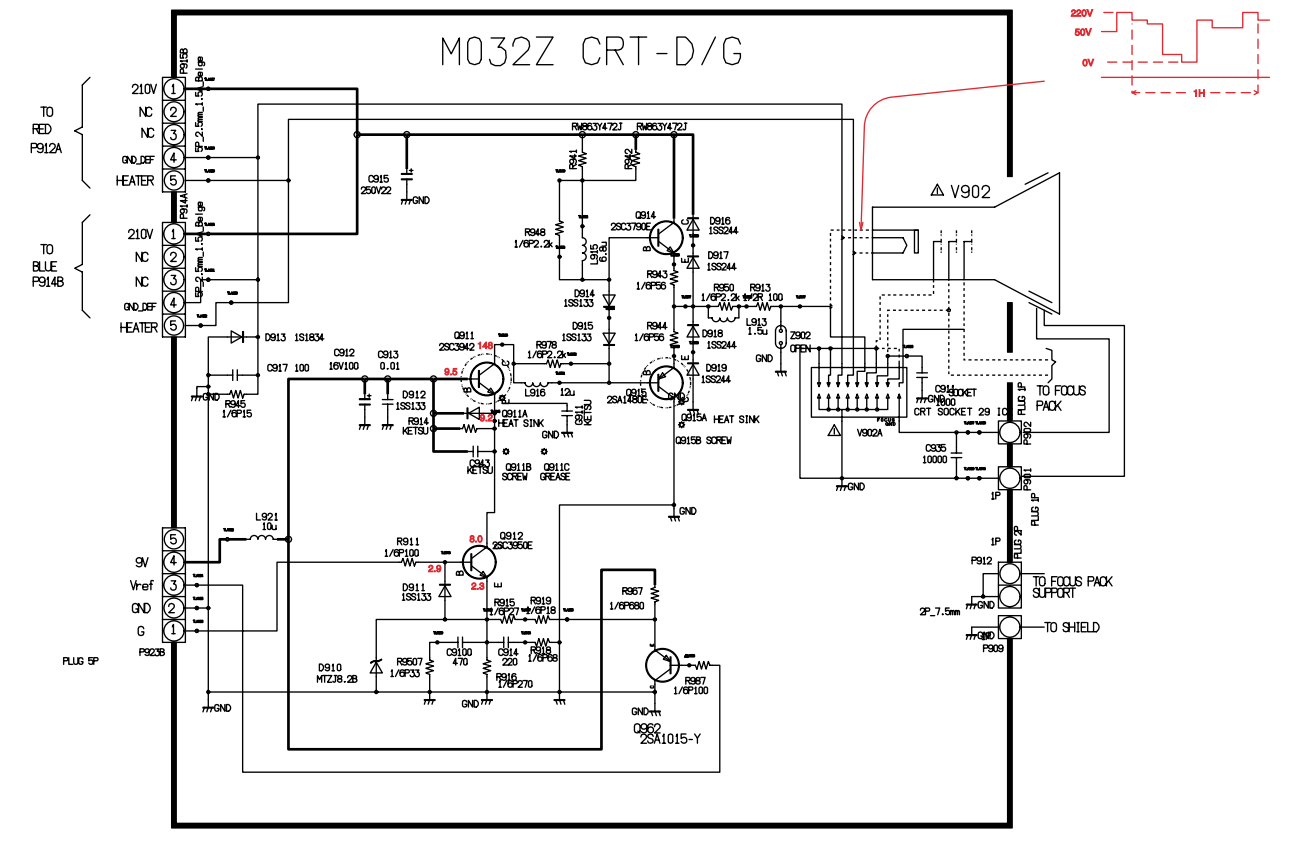
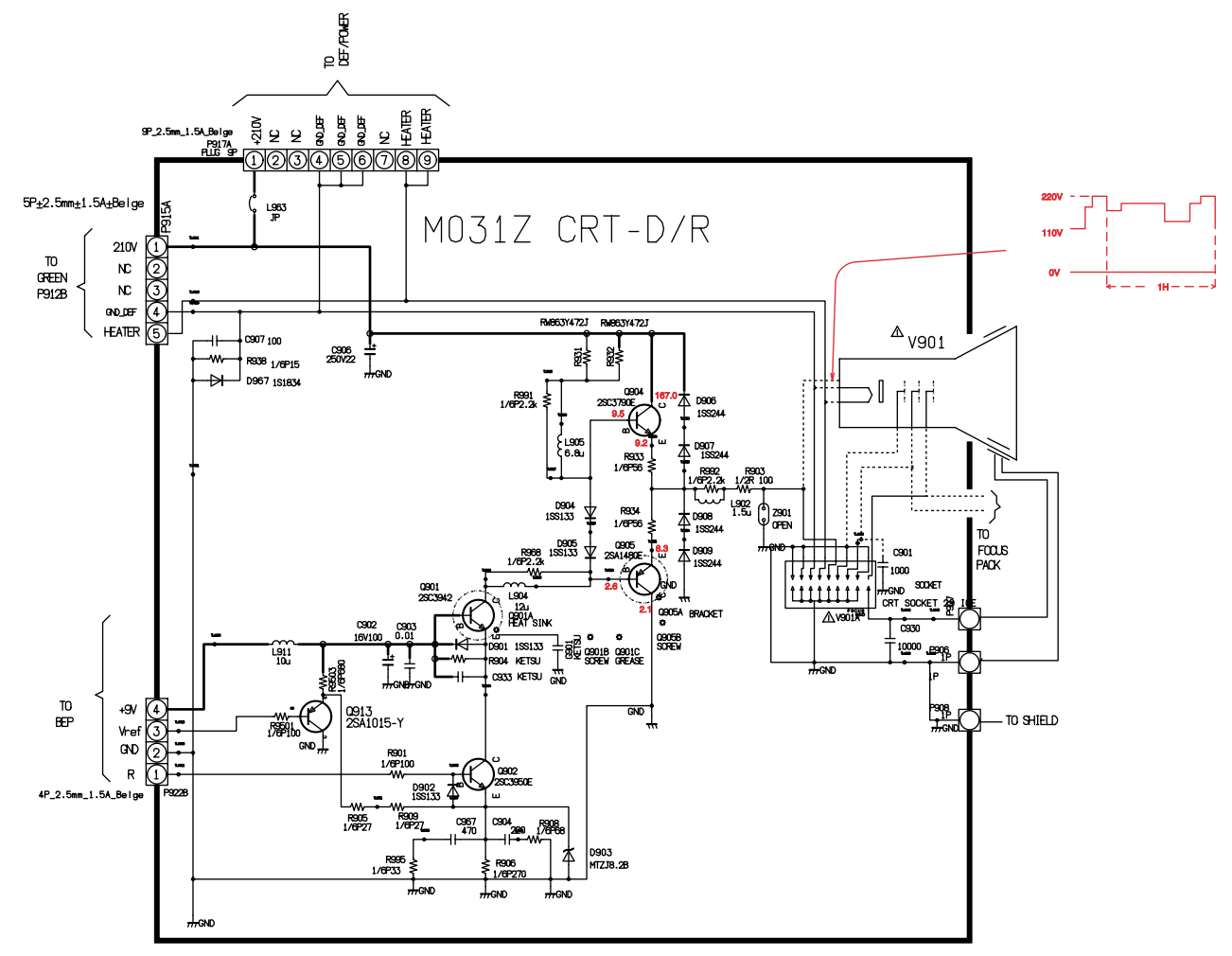
B

C

D

E

F



	CRT-D/R	CRT-D/G	CRT-D/B
43VH9UC	PD1048-1	PD1048-2	PD1048-3
43VH9C	↓	↓	↓
50VH9UC	↓	↓	↓
50VH9C	PD1048H-1	PD1048H-2	PD1048H-3
57W9UC	↓	↓	↓
46W9UC	↓	↓	↓
43VH9UA	PD1059-1	PD1059-2	PD1059-3
43VH9UE	↓	↓	↓
50VH9UA	↓	↓	↓
50VH9UE	↓	↓	↓
61VH9UE	↓	↓	↓
61VH9UA	↓	↓	↓
61VH9UT	↓	↓	↓
61VH9UM	↓	↓	↓
61VH9UR	↓	↓	↓
57W9UA	↓	↓	↓
57W9UE	↓	↓	↓

	CRT-D/R	CRT-D/G	CRT-D/B
46W9UA	PD1059-1	PD1059-2	PD1059-3
46W9UE	↓	↓	↓
57W9UR	↓	↓	↓
57W9UT	↓	↓	↓
46W9UR	↓	↓	↓
46W9UT	↓	↓	↓
57W8UK	↓	↓	↓
46W8UK	↓	↓	↓
43V9UE	↓	↓	↓
43V9UM	↓	↓	↓
43V9UR	↓	↓	↓
43V9UT	↓	↓	↓
50V9UE	↓	↓	↓
50V9UM	↓	↓	↓
50V9UR	↓	↓	↓
50V9UT	↓	↓	↓

61VH9UE/61VH9UM/61CVH9UR  
 61VH9UA/61VH9UT  
 CRT-D(for HD)/SVM(1/2)  
 [SHEET-1/2]



A

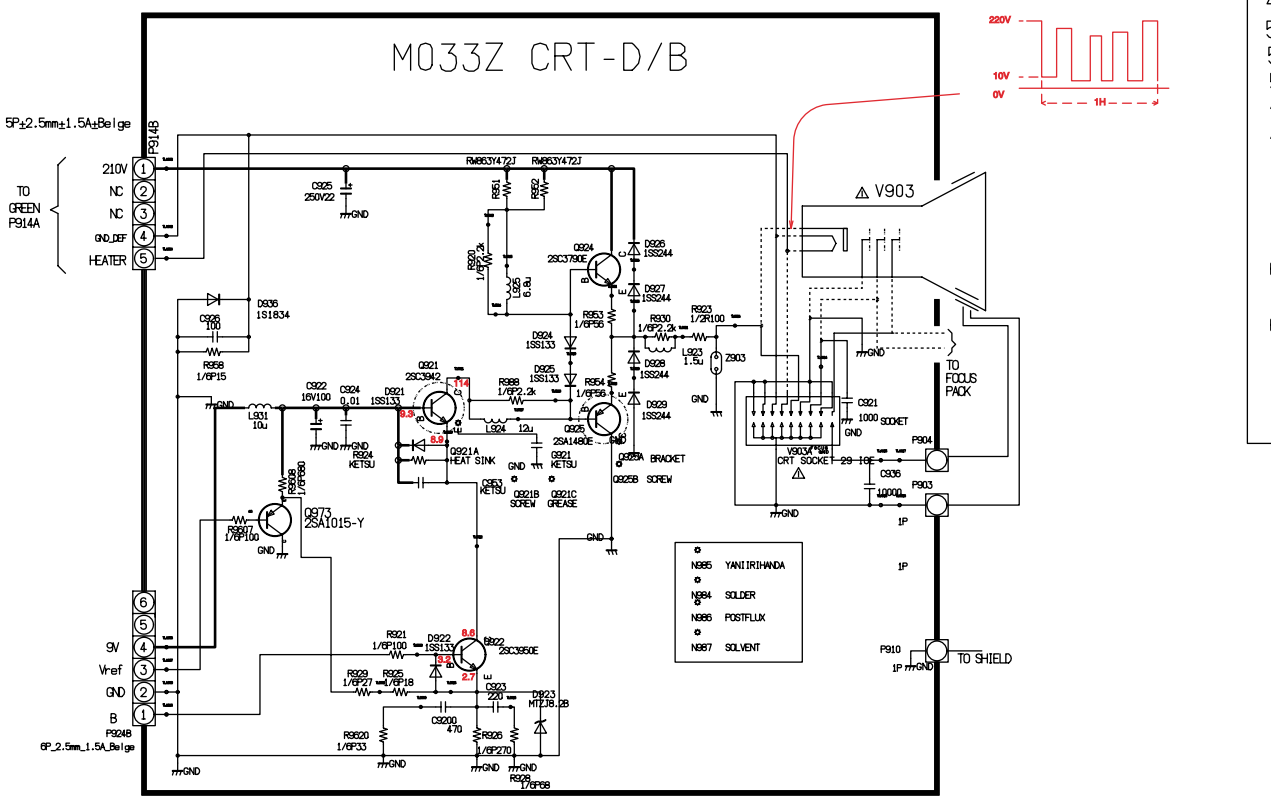
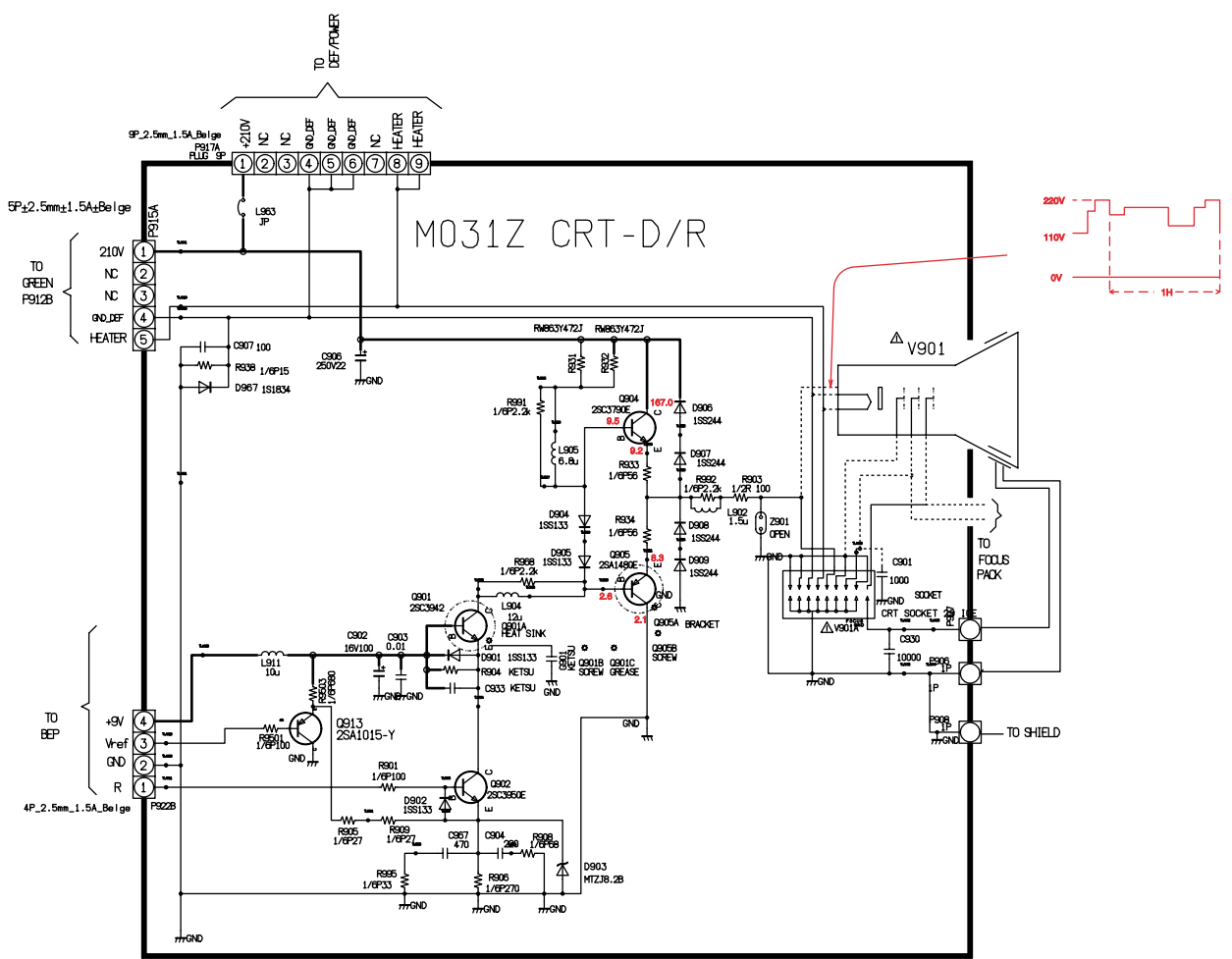
B

C

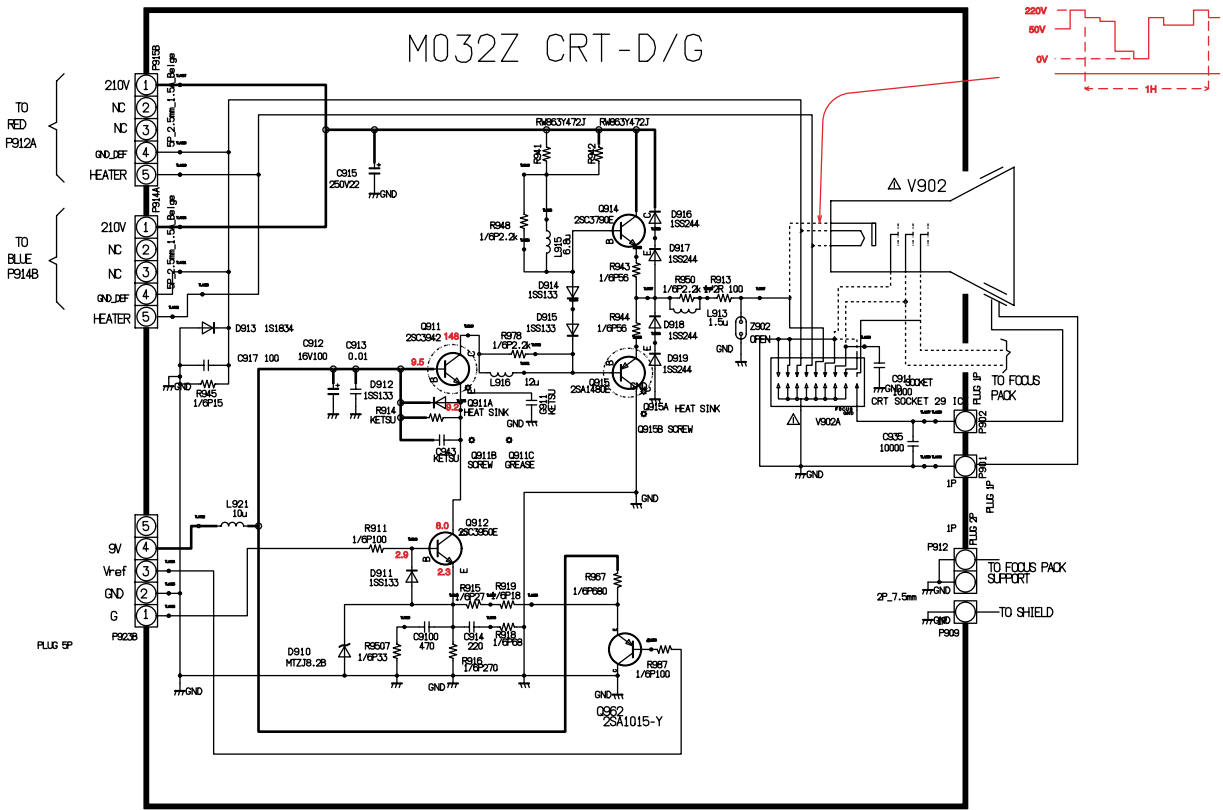
D

E

F



- 43VH9UC
- 43VH8UC
- 50VH9UC
- 50VH8UC
- 57W9UC
- 46VH9UC
- 43VH9UA
- 43VH9UE
- 50VH9UA
- 50VH9UE
- 61VH9UE
- 61VH9UA
- 61VH9UT
- 61VH9UM
- 61VH9UR
- 57W9UA
- 57W9UE



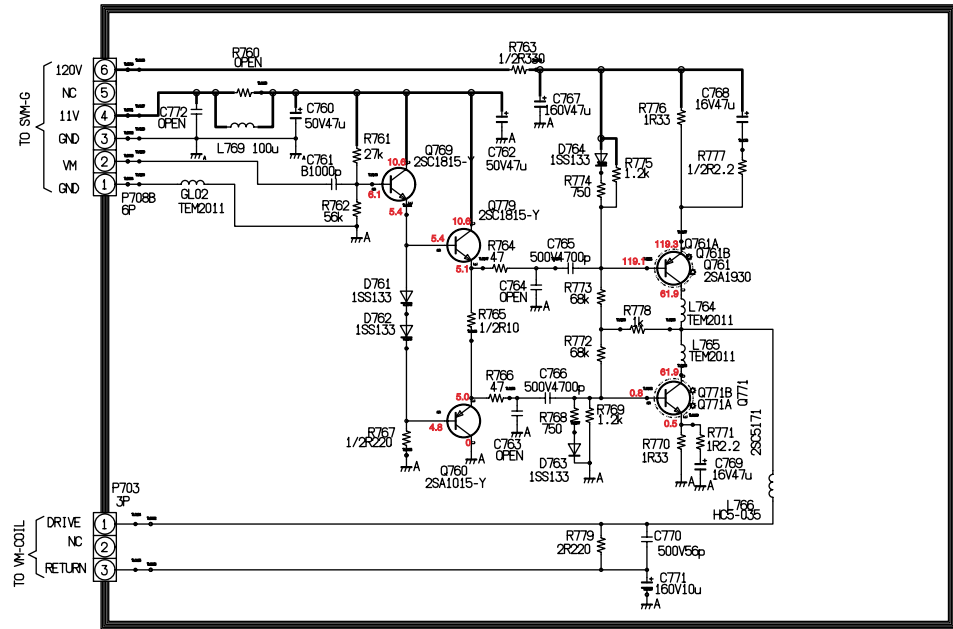
CRT-D/R	CRT-D/G	CRT-D/B
PD1048-1	PD1048-2	PD1048-3
↓	↓	↓
PD1048H-1	PD1048H-2	PD1048H-3
↓	↓	↓
PD1059-1	PD1059-2	PD1059-3
↓	↓	↓

CRT-D/R	CRT-D/G	CRT-D/B
46W9UA	PD1059-1	PD1059-2
46W9UE	↓	↓
57W9UR	↓	↓
57W9UT	↓	↓
46W9UR	↓	↓
46W9UT	↓	↓
57W8UK	↓	↓
46W8UK	↓	↓
43V9UE	↓	↓
43V9UM	↓	↓
43V9UR	↓	↓
43V9UT	↓	↓
50V9UE	↓	↓
50V9UM	↓	↓
50V9UR	↓	↓
50V9UT	↓	↓

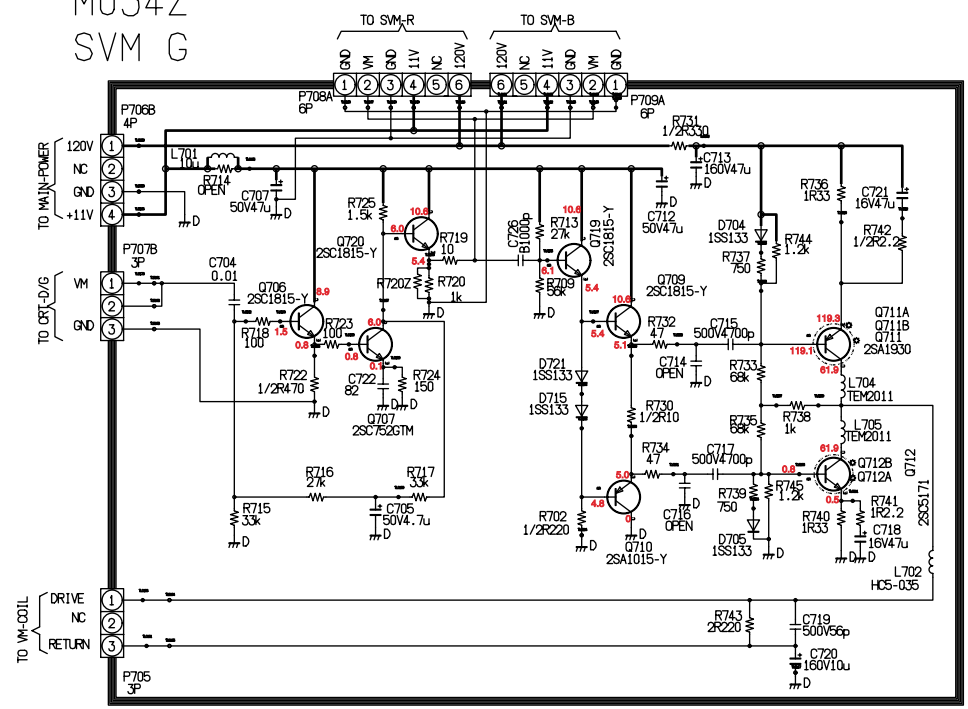
61VH9UE/61VH9UM/61CVH9UR  
 61VH9UA/61VH9UT  
 CRT-D(for HD)/SVM(1/2)  
 [SHEET-1/2]

A

M035Z  
SVM R



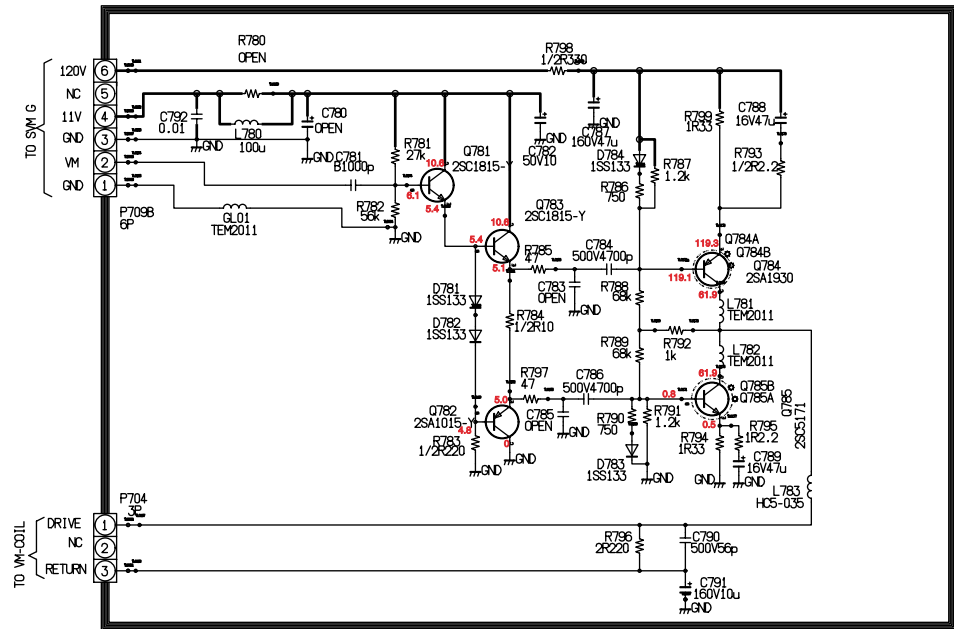
M034Z  
SVM G



B

C

M036Z  
SVM B



D

E

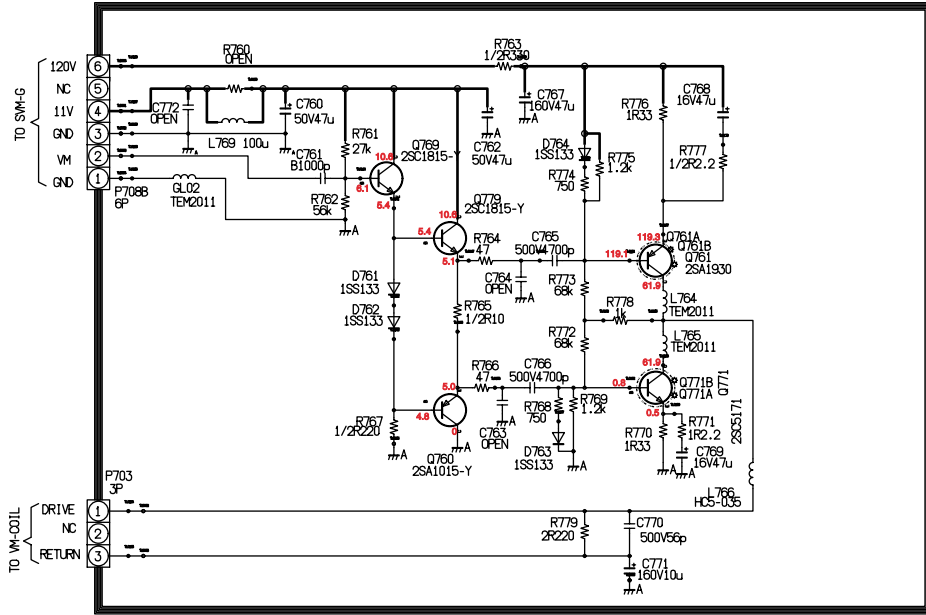
F

	SM-G	SM-R	SM-B
43VH9C	PD1048-4	PD1048-5	PD1048-6
43VH8C	↓	↓	↓
50VH9C	↓	↓	↓
50VH8C	↓	↓	↓
57W9UC	PD1048H-4	PD1048H-5	PD1048H-6
46W9UC	↓	↓	↓
43VH9A	PD1059-4	PD1059-5	PD1059-5
43VH9E	↓	↓	↓
50VH9A	↓	↓	↓
50VH9E	↓	↓	↓
61VH9E	↓	↓	↓
61VH9A	↓	↓	↓
61VH9UT	↓	↓	↓
61VH9UM	↓	↓	↓
61VH9UR	↓	↓	↓
57W9UA	↓	↓	↓
57W9UE	↓	↓	↓

	SM-G	SM-R	SM-B
46W9UA	PD1059-4	PD1059-5	PD1059-6
46W9UE	↓	↓	↓
57W9UR	↓	↓	↓
57W9UT	↓	↓	↓
46W9UR	↓	↓	↓
46W9UT	↓	↓	↓
57W8UK	↓	↓	↓
46W8UK	↓	↓	↓
43V9UE	↓	↓	↓
43V9UM	↓	↓	↓
43V9UR	↓	↓	↓
43V9UT	↓	↓	↓
50V9UE	↓	↓	↓
50V9UM	↓	↓	↓
50V9UR	↓	↓	↓
50V9UT	↓	↓	↓

A

M035Z  
SVM R

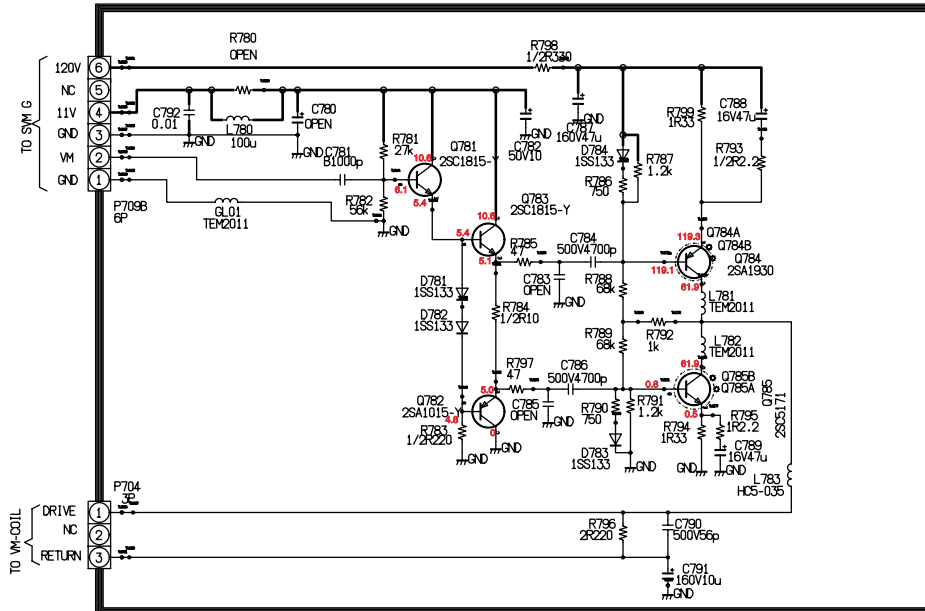


B

C

D

M036Z  
SVM B

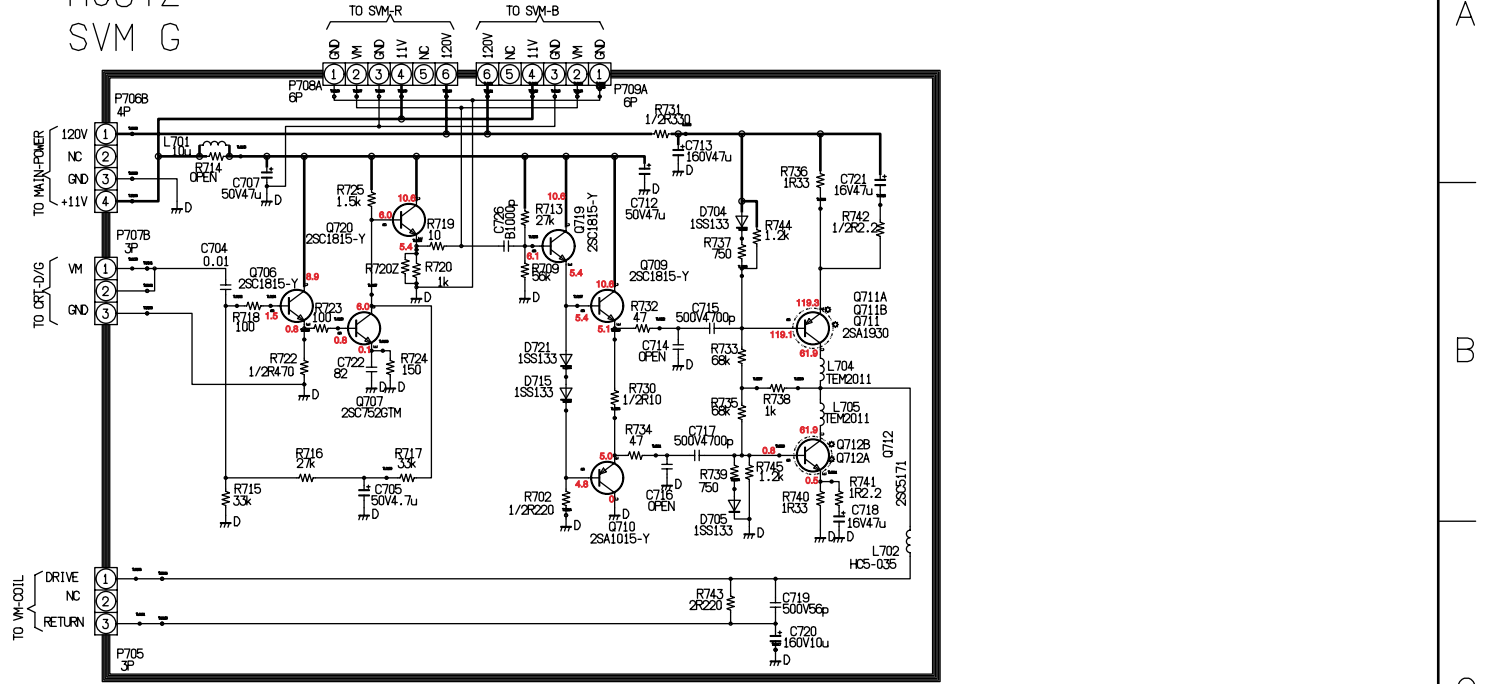


E

F

- 43V-H9C
- 43V-H8C
- 50V-H9C
- 50V-H8C
- 57W-H9C
- 46V-H9C
- 43V-H9A
- 43V-H9E
- 50V-H9A
- 50V-H9E
- 61V-H9E
- 61V-H9A
- 61V-H9T
- 61V-H9M
- 61V-H9R
- 57W-H9A
- 57W-H9E

M034Z  
SVM G



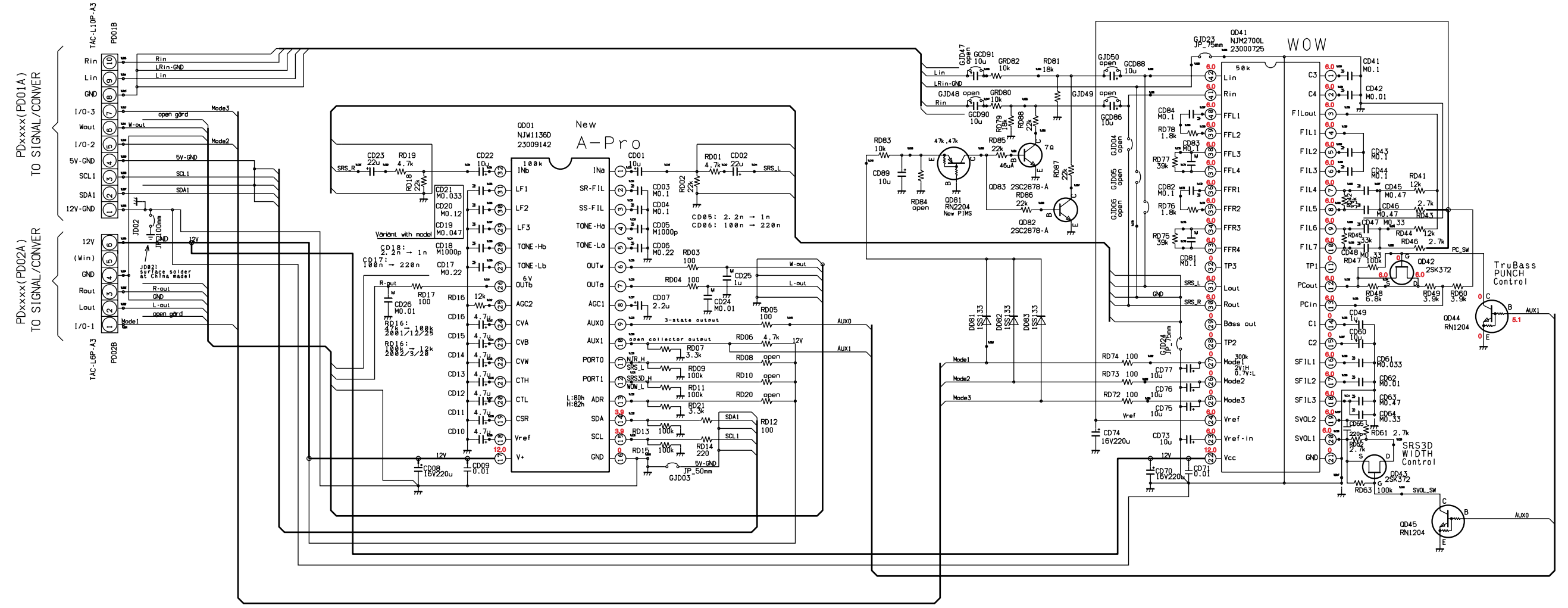
	SVM-G	SVM-R	SVM-B
C	PD1048-4	PD1048-5	PD1048-6
C	↓	↓	↓
C	PD1048H-4	PD1048H-5	PD1048H-6
C	↓	↓	↓
JA	PD1059-4	PD1059-5	PD1059-5
E	↓	↓	↓
JA			
E			
JA			
UT			
M			
UR			
UA			
UE			

	SVM-G	SVM-R	SVM-B
C	46W9UA	PD1059-4	PD1059-5
C	46W9UE		
C	57W9UR		
C	57W9UT		
C	46W9UR		
C	46W9UT		
JA	57W8UK		
E	46W8UK		
JA	43V9UE		
E	43V9UM		
JA	43V9UR		
UT	43V9UT		
M	50V9UE		
UR	50V9UM		
UA	50V9UR		
UE	50V9UT		

61VH9UE/61VH9UM/61CVH9UR  
 61VH9UA/61VH9UT  
 CRT-D(for HD)/SVM(2/2)  
 [SHEET-2/2]

WOW	H	H	H
FOCUS	H	L	L
3D-STEREO	L	L	H
TruBass	L	H	L
BYPASS	L	L	L
	Mode1	Mode2	Mode3

Asia_PJ_TSP_WOW_4x3	PD1041	23788313	43VH9UA
US_LCoS_TVE_57HLX82_WOW	PD0859A	23788034	57HLX82
Asia_PJ_DLTW_WOW_16x9	PD0797E	23788430	57VW9UC
US_PJ_TNP_WOW_16x9_SBS_12Φ	PD0645D	23787989	42HDX82
US_PJ_TNP_WOW_16x9_SBS_16Φ	PD0645B	23787523	50HDX82
US_DView_TNP_WOW_16x9_CYC	PD0645C	23787895	34HDX82
US_DView_TNP_WOW_4x3_CYC	PD0645A	23787466	36HFx72
Asia_PJ_TSP_WOW_16x9	PD0961	23788112	57VW9UA
Asia_PJ_DLTW_WOW_43	PD0797D	23787768	43VH9UC
Asia_DView_DLTW_WOW	PD0797A	23787830	29VH9UC
Asia_DView_TVE_WOW	PD0785A	23787818	29VH9UH
Asia_DView_DLTW_A-Pro	PD0797B	23787937	29VH8UC
	unit	SN	model



JP001 23183004 75mm CE_J0075_03	JP002 23183004 150mm CE_J0150_03	JP003 23183004 75mm CE_J0075_03	JP004 23183004 150mm CE_J0150_03	JP005 23183004 75mm CE_J0075_03
JP006 23183004 150mm CE_J0150_03	JP008 23183004 75mm CE_J0075_03	JP009 23183004 50mm CE_J0050_03	JP011 23183004 75mm CE_J0075_03	JP012 23183004 50mm CE_J0050_03
JP013 23183004 75mm CE_J0075_03	JP014 23183004 100mm CE_J0100_03	JP046 23183004 200mm CE_J0200_03		
ND02 23964030 SOLVENTIPA		ND03 23961113 UNT10X10E		
ND05 23961098 YANIIRIHADA				

TSP	
23788112	
PD0961	
ND01 23961024 YANINSHIHADA	ND11 23547190 NEW BOARD PWB PD0951
ND04 23961832 23961833 POSTLUX	

61VH9UE/61VH9UM/61CVH9UR  
61VH9UA/61VH9UT  
SRS-WOW

WOW	H	H	H
FOCUS	H	L	L
3D-STEREO	L	L	H
TruBass	L	H	L
BYPASS	L	L	L
	Mode1	Mode2	Mode3

A

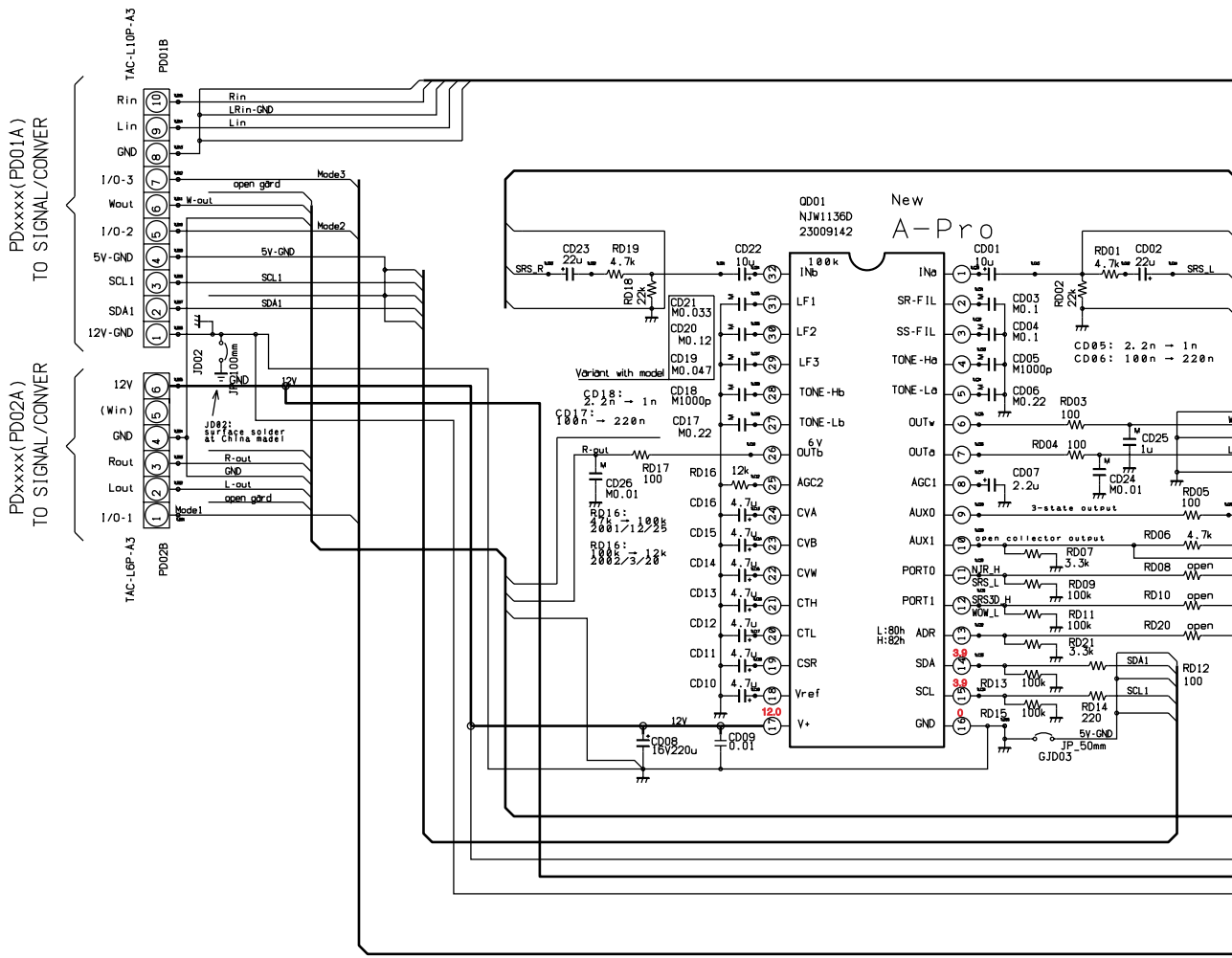
B

C

D

E

F



JP001 23183004 75mm CE_J0075_03	JP002 23183004 150mm CE_J0150_03	JP003 23183004 75mm CE_J0075_03	JP004 23183004 150mm CE_J0150_03	JP005 23183004 75mm CE_J0075_03
JP006 23183004 150mm CE_J0150_03	JP008 23183004 75mm CE_J0075_03	JP009 23183004 50mm CE_J0050_03	JP011 23183004 75mm CE_J0075_03	JP012 23183004 50mm CE_J0050_03
JP013 23183004 75mm CE_J0075_03	JP014 23183004 100mm CE_J0100_03	JP046 23183004 200mm CE_J0200_03	*ND02      *ND03 23964030    23961113 SOLVENTIPA   UNT10XIDE  *ND05 23961098 YANI IRIHANDA	

TSP

23788112  
PD0961

*ND01 23961024 YANINASHIHANDA	*UD11 23547190 NEW BOARD PWB PD0951
*ND04 23961832 23961833 POSTFLUX	

Asia_PJ_TSP_WOW_4x3	PD1041	23788313	43VH9UA
US_LCoS_TVE_57HLX82_WOW	PD0859A	23788034	57HLX82
Asia_PJ_DLTV_WOW_16x9	PD0797E	23788430	57VW9UC
US_PJ_TNP_WOW_16x9_SBS_12φ	PD0645D	23787989	42HDX82
US_PJ_TNP_WOW_16x9_SBS_16φ	PD0645B	23787523	50HDX82
US_DView_TNP_WOW_16x9_CYC	PD0645C	23787895	34HDX82
US_DView_TNP_WOW_4x3_CYC	PD0645A	23787466	36HFXT2
Asia_PJ_TSP_WOW_16x9	PD0961	23788112	57VW9UA
Asia_PJ_DLTV_WOW_43	PD0797D	23787768	43VH9UC
Asia_DView_DLTV_WOW	PD0797A	23787830	29VH9UC
Asia_DView_TVE_WOW	PD0785A	23787818	29VH9UH
Asia_DView_DLTV_A-Pro	PD0797B	23787937	29VH8UC
	unit	SN	model

A

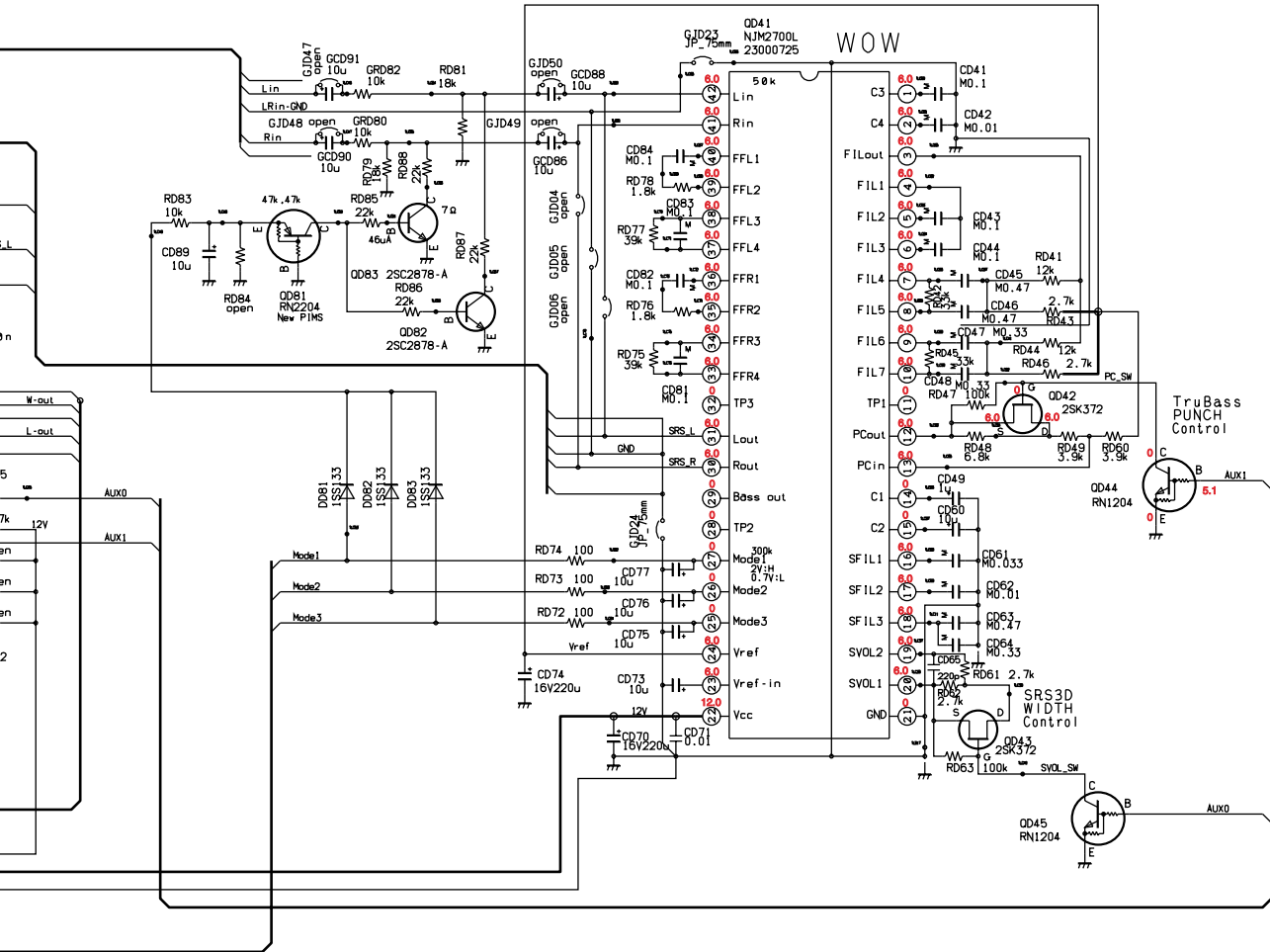
B

C

D

E

F



61VH9UE/61VH9UM/61CVH9UR  
 61VH9UA/61VH9UT  
 SRS-WOW



A

B

C

D

E

F

A

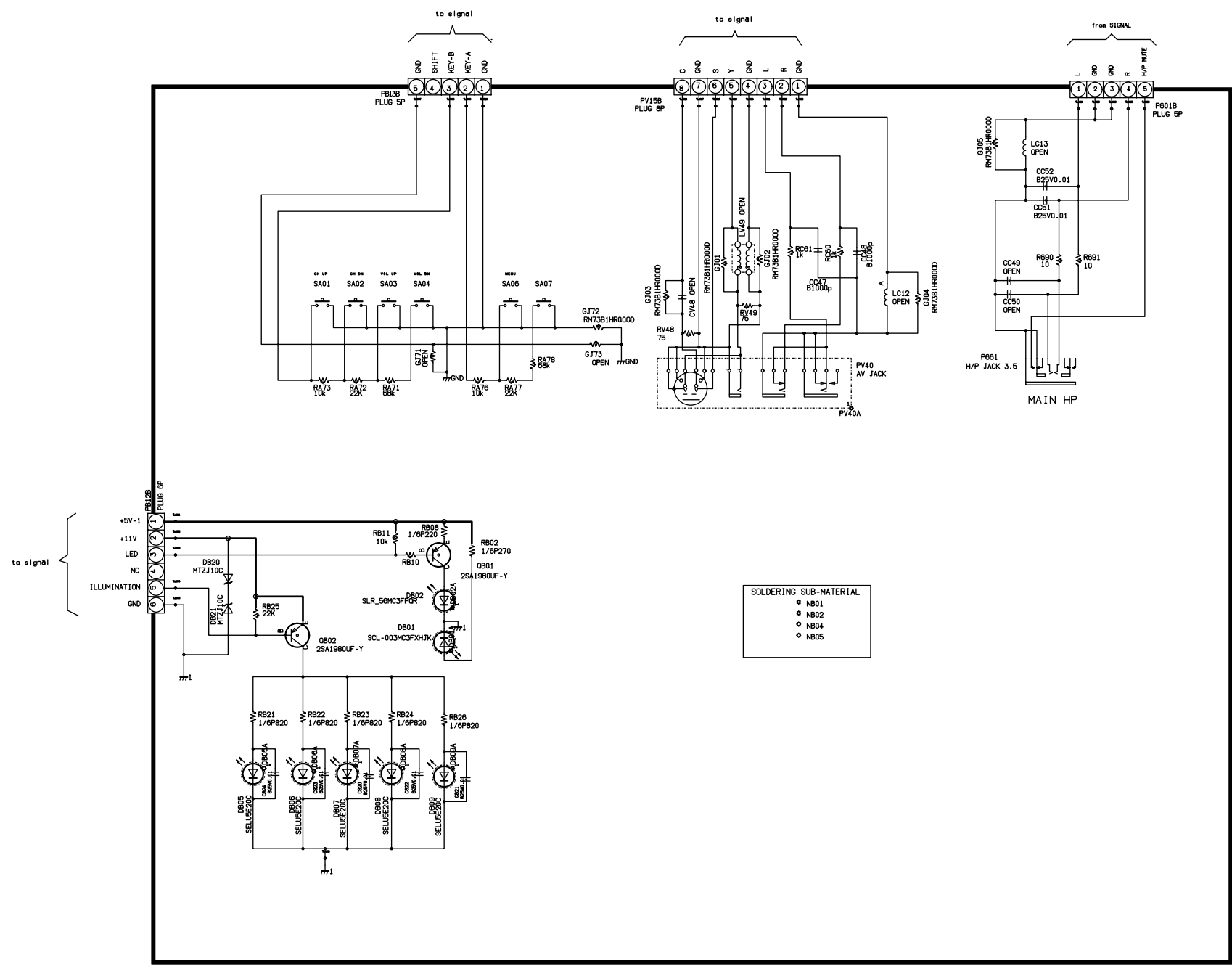
B

C

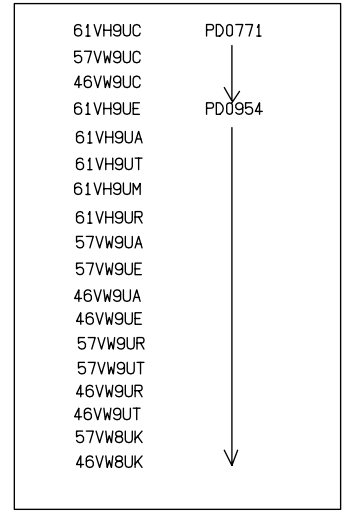
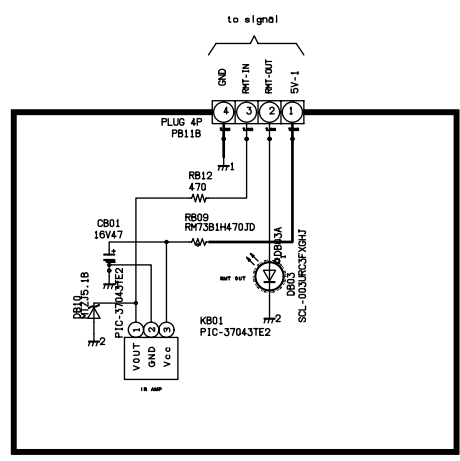
D

E

F



SOLDERING SUB-MATERIAL  
 • NB01  
 • NB02  
 • NB04  
 • NB05



61VH9UE/61VH9UM/61CVH9UR  
 61VH9UA/61VH9UT  
 FRONT-IN RMT-IN

A

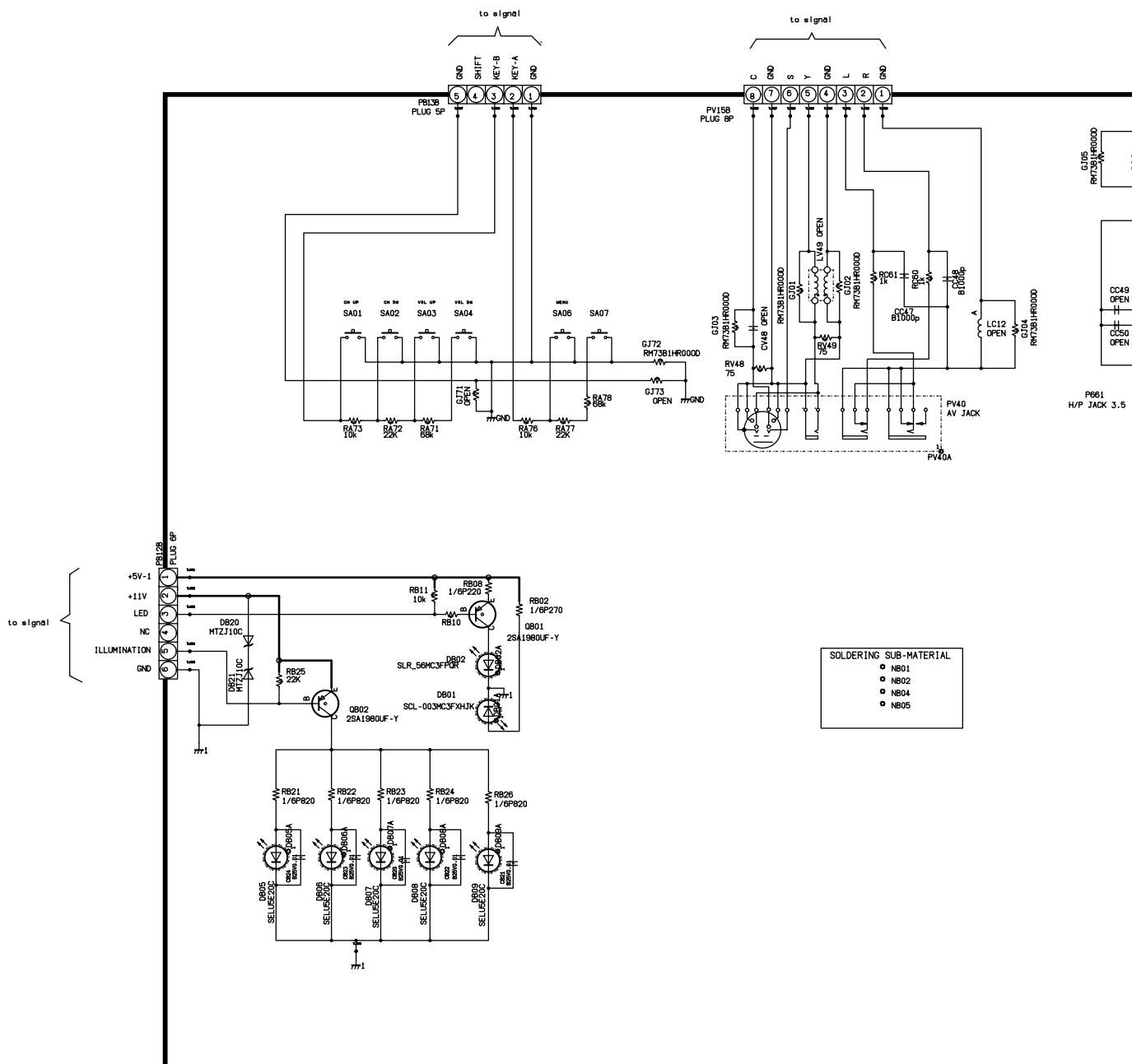
B

C

D

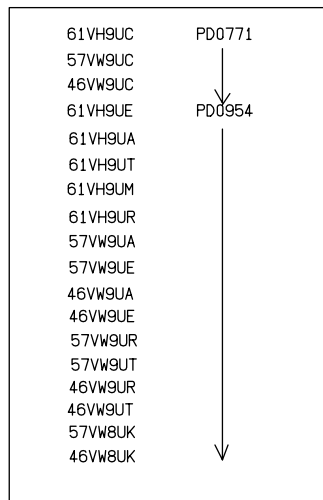
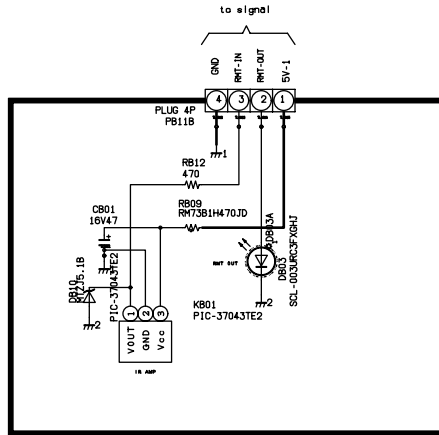
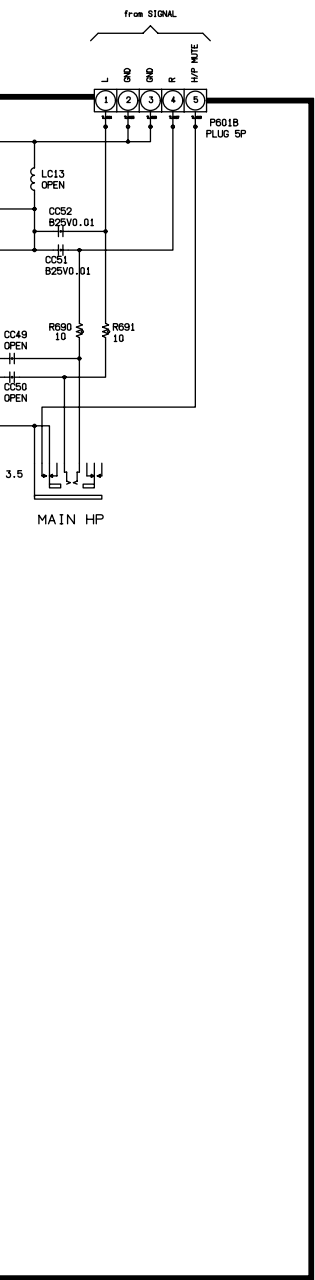
E

F



**SOLDERING SUB-MATERIAL**

- NB01
- NB02
- NB04
- NB05



61VH9UE/61VH9UM/61CVH9UR  
 61VH9UA/61VH9UT  
 FRONT-IN RMT-IN

A

B

C

D

E

F

A

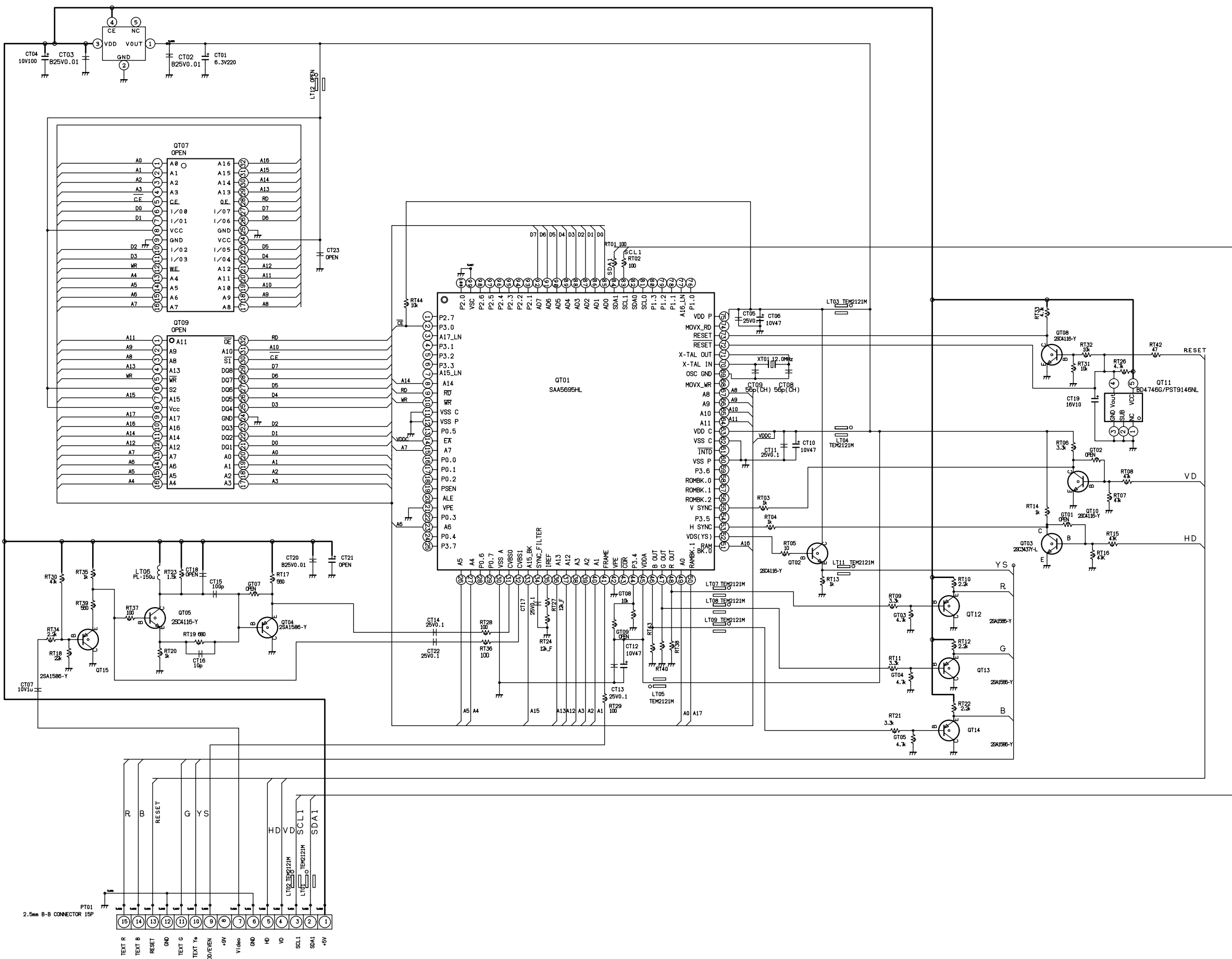
B

C

D

E

F



61VH9UE/61VH9UM/61CVH9UR  
 61VH9UA/61VH9UT  
 M-TEXT-P2

A

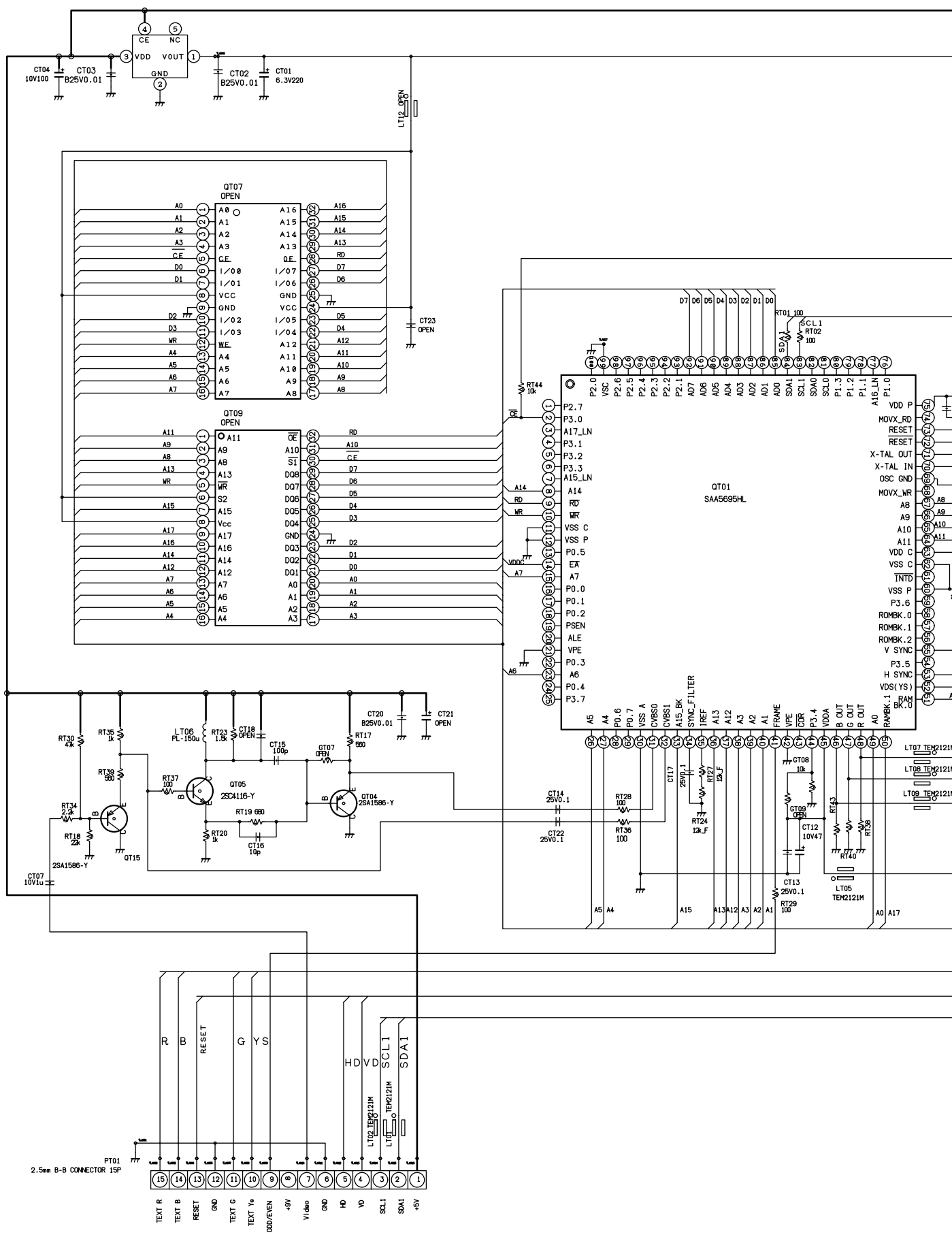
B

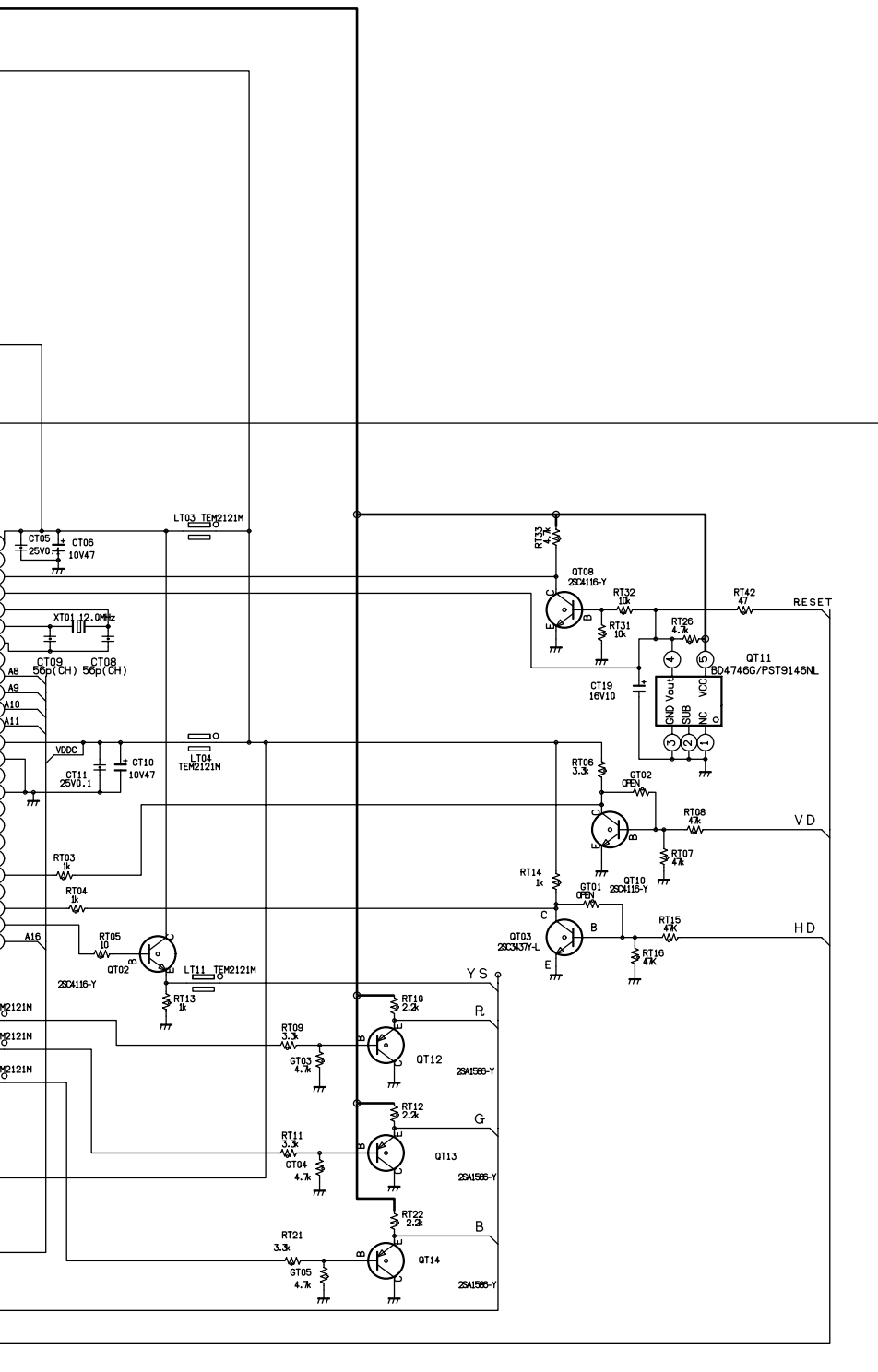
C

D

E

F





61VH9UE/61VH9UM/61CVH9UR  
 61VH9UA/61VH9UT  
 M-TEXT-P2