

OPTIONAL SECAM DECODER TYPE NO. SD-215

**COLOUR TELEVISION**

**SANYO**

**85P** CHASSIS SERIES

SERVICE REF. NO. **CEP2105V-00**

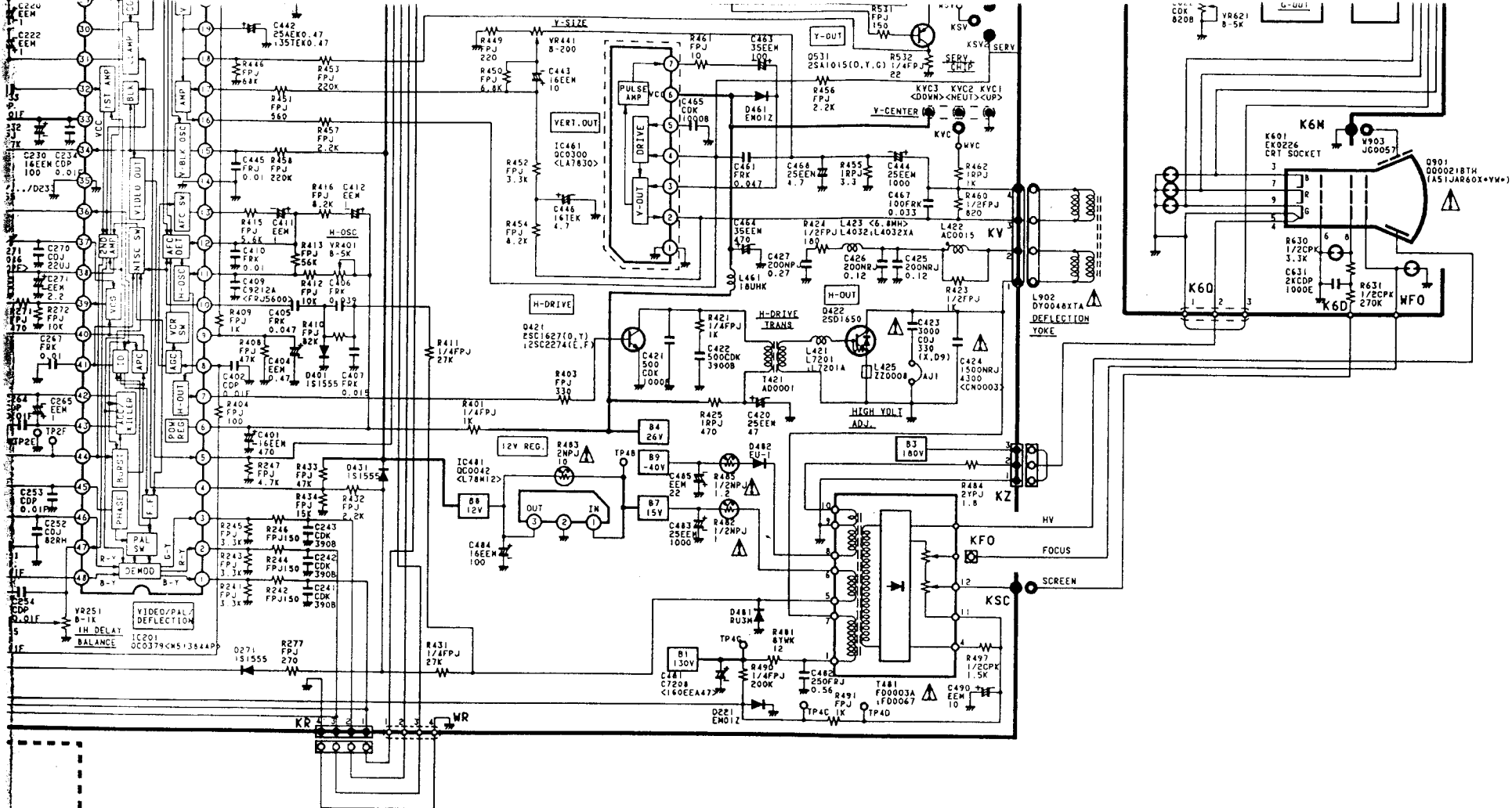
**PRODUCT SAFETY NOTICE**

PRODUCT SAFETY SHOULD BE CONSIDERED WHEN A COMPONENT REPLACEMENT IS MADE IN ANY AREA OF A RECEIVER. COMPONENTS INDICATED BY A MARK  $\Delta$  IN THIS CIRCUIT DIAGRAM SHOW COMPONENTS WHOSE VALUE HAVE SPECIAL SIGNIFICANCE TO PRODUCT SAFETY. IT IS PARTICULARLY RECOMMENDED THAT ONLY PARTS SPECIFIED ON THE PARTS LIST OF SERVICE MANUAL BE USED FOR COMPONENTS REPLACEMENT POINTED OUT BY THE MARK  $\Delta$

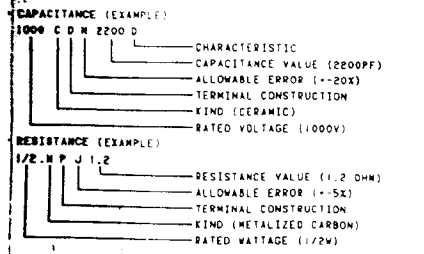
- CIRCUIT DIAGRAM NOTES;**
1. ALL RESISTANCE VALUES ARE IN OHMS, K=1,000, M=1,000,000.
  2. ALL RESISTANCE RATED WATTAGES ARE 1/4W UNLESS OTHERWISE NOTED.
  3. EXCEPTING ELECTROLYTIC CAPACITORS, ALL CAPACITANCE VALUES OF LESS THAN 1 ARE EXPRESSED IN UF, AND MORE THAN 1 ARE IN PF. ELECTROLYTIC CAPACITANCE VALUES ARE IN MF.
  4. ALL CAPACITANCE RATED VOLTAGES ARE 50V UNLESS OTHERWISE NOTED.
  5. ALL INDUCTANCE VALUES ARE IN MH.
  6. VOLTAGE READINGS TAKEN WITH A "TESTER" ARE FROM POINT INDICATED TO CHASSIS GROUND. VOLTAGE READINGS TAKEN BY USING A COLOUR BAR SIGNAL ARE WITH ALL CONTROLS AT NORMAL AND AFC SWITCH IN "OFF" POSITION. SOME VOLTAGES MAY VARY WITH SIGNAL STRENGTH.
  7. WAVEFORMS WERE TAKEN WITH COLOUR BAR SIGNAL AND CONTROLS ADJUSTED FOR NORMAL PICTURE. WAVEFORMS WERE TAKEN BY USING A WIDE BAND OSCILLOSCOPE AND A LOW CAPACITY PROBE.
  8. THIS CIRCUIT DIAGRAM COVERS A BASIC OR REPRESENTATIVE CHASSIS ONLY. THERE MAY BE SOME COMPONENTS OR PARTIAL CIRCUIT DIFFERENCES BETWEEN THE ACTUAL CHASSIS AND THE CIRCUIT DIAGRAM.

9. EXPRESSION OF CAPACITANCE (E) 1000 C D M 220

RESISTANCE (E) 1/2 M P J 1.2



CONVENTION OF CAPACITANCE AND RESISTANCE IN CIRCUIT DIAGRAM.

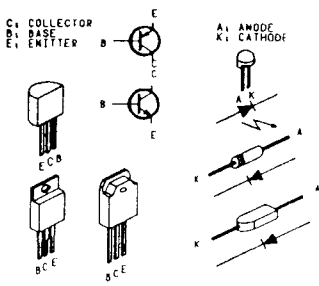


*KIND --- C ... CERAMIC	*ALLOWABLE ERROR --- G ... +/-2%
E ... ELECTROLYTIC	J ... +/-5%
F ... NYLAR FILM	K ... +/-10%
M ... POLYPROPYLENE	M ... +/-20%
	Z ... +80% -20%
	P ... +/-100% -0%

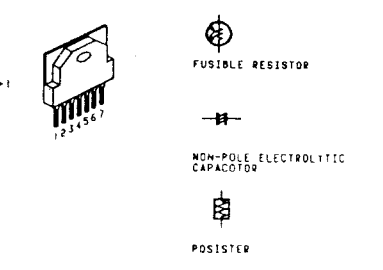
  

*KIND --- F ... CARBON
M ... METALIZED CARBON
R ... OXIDE METALIZED
Y ... WIRE WOUND
C ... SOLID

TRANSISTOR, DIODE & INTEGRATED CIRCUIT TERMINAL GUIDE



PARTICULAR PARTS SYMBOL





**RTV servis Horvat**  
 Kešinci, 31402 Semeljci  
 Tel : 031-856-637  
 Tel / fax : 031-856-139  
 Mob : 098-788-319  
 rtv-servis-horvat@os.tel.hr

