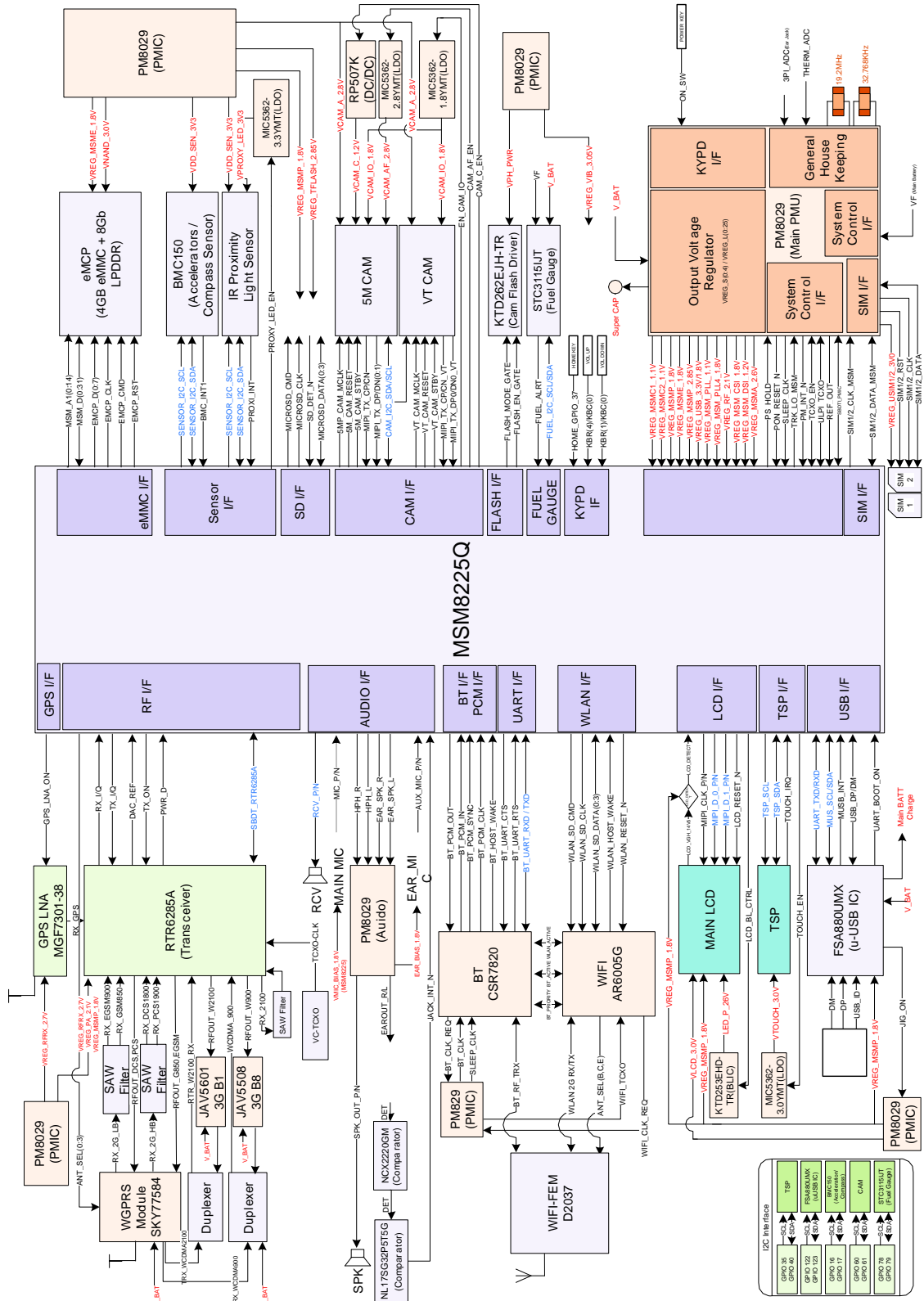


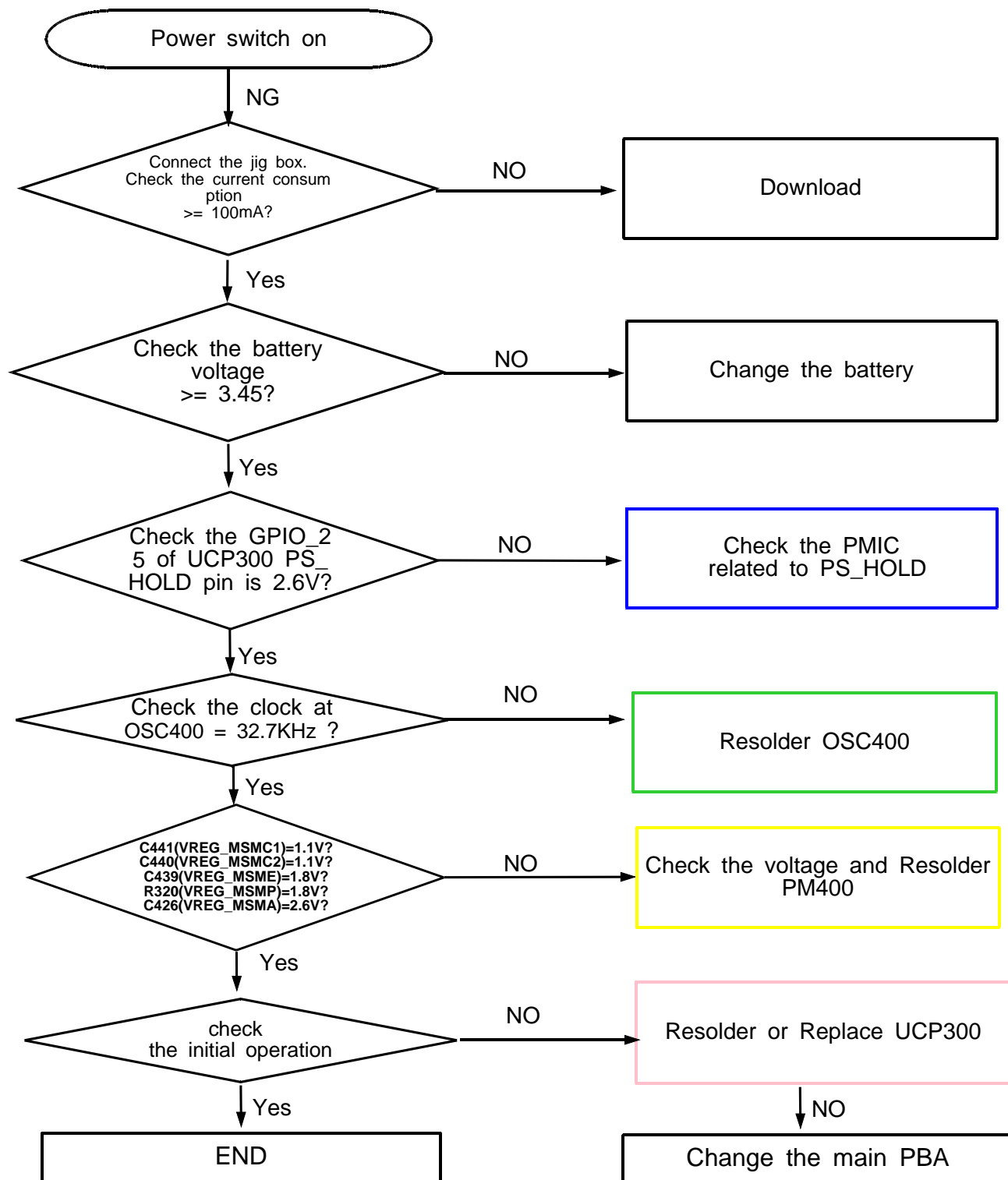
8. Level 3 Repair

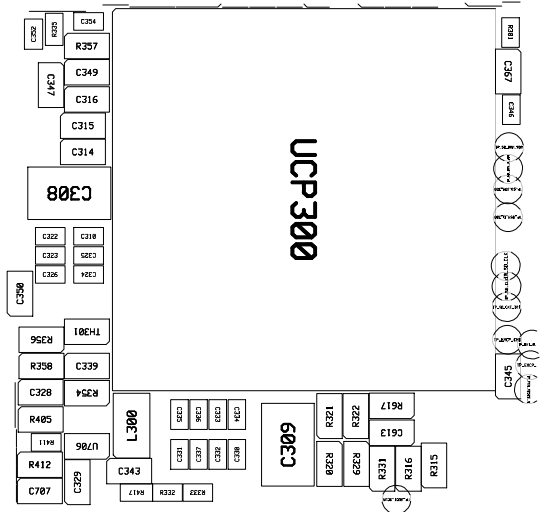
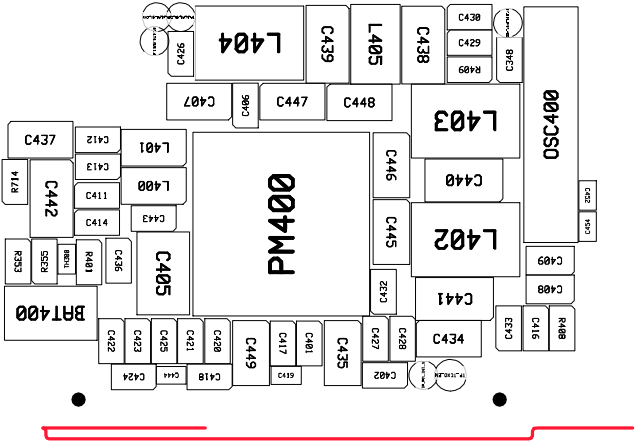
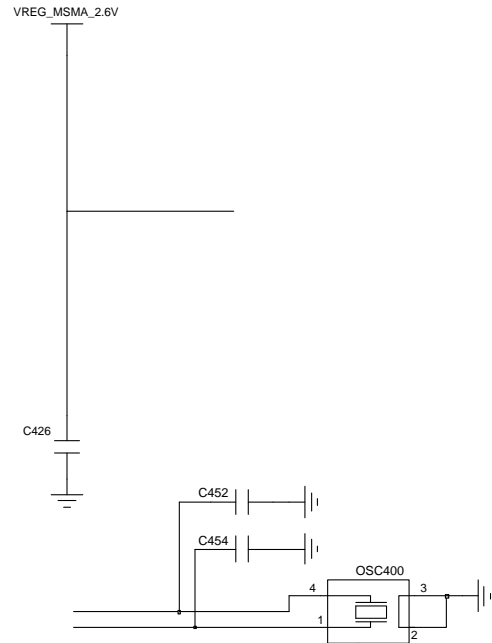
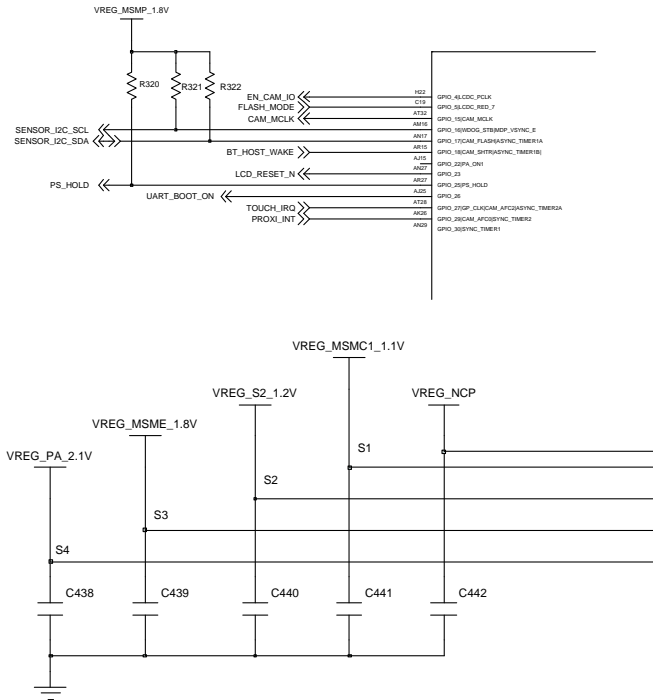
8-1. Block Diagram



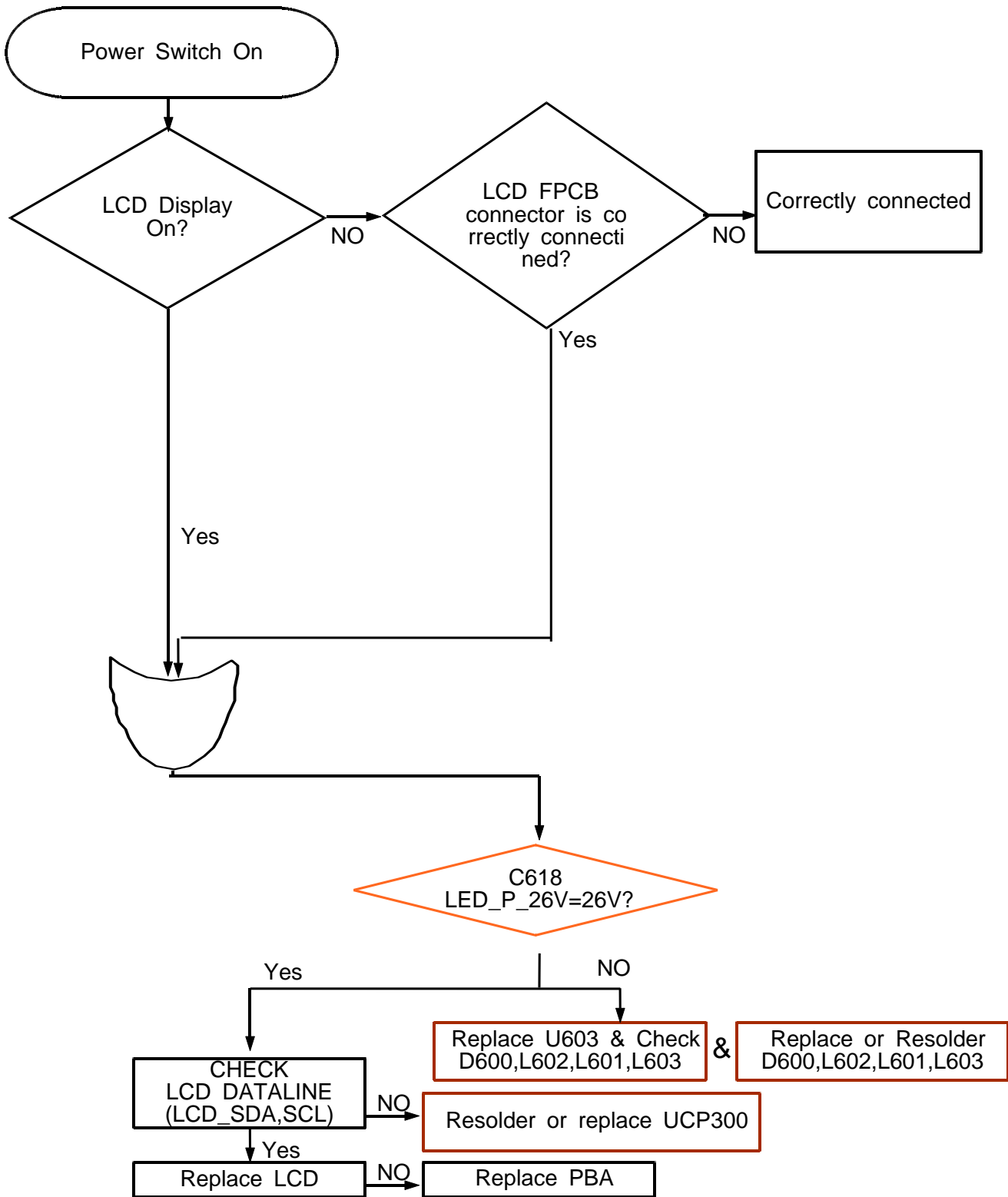
8-3. LOGIC

8-3-1. Power On

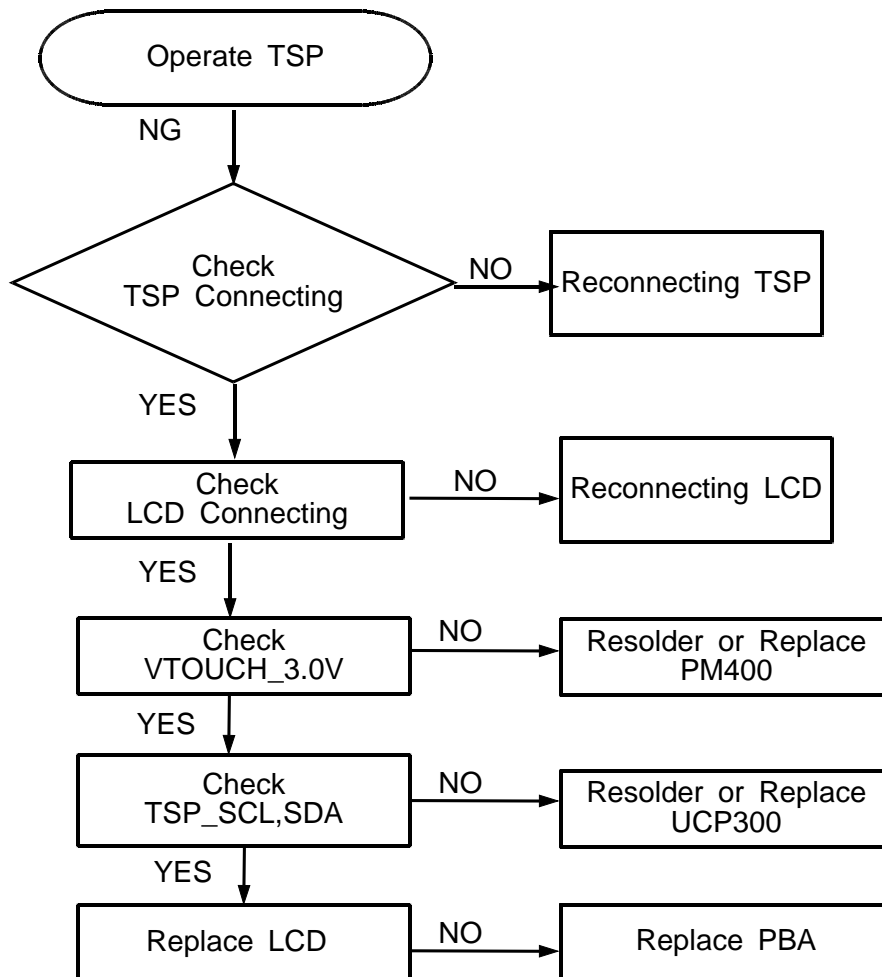




8-3-2. LCD Working

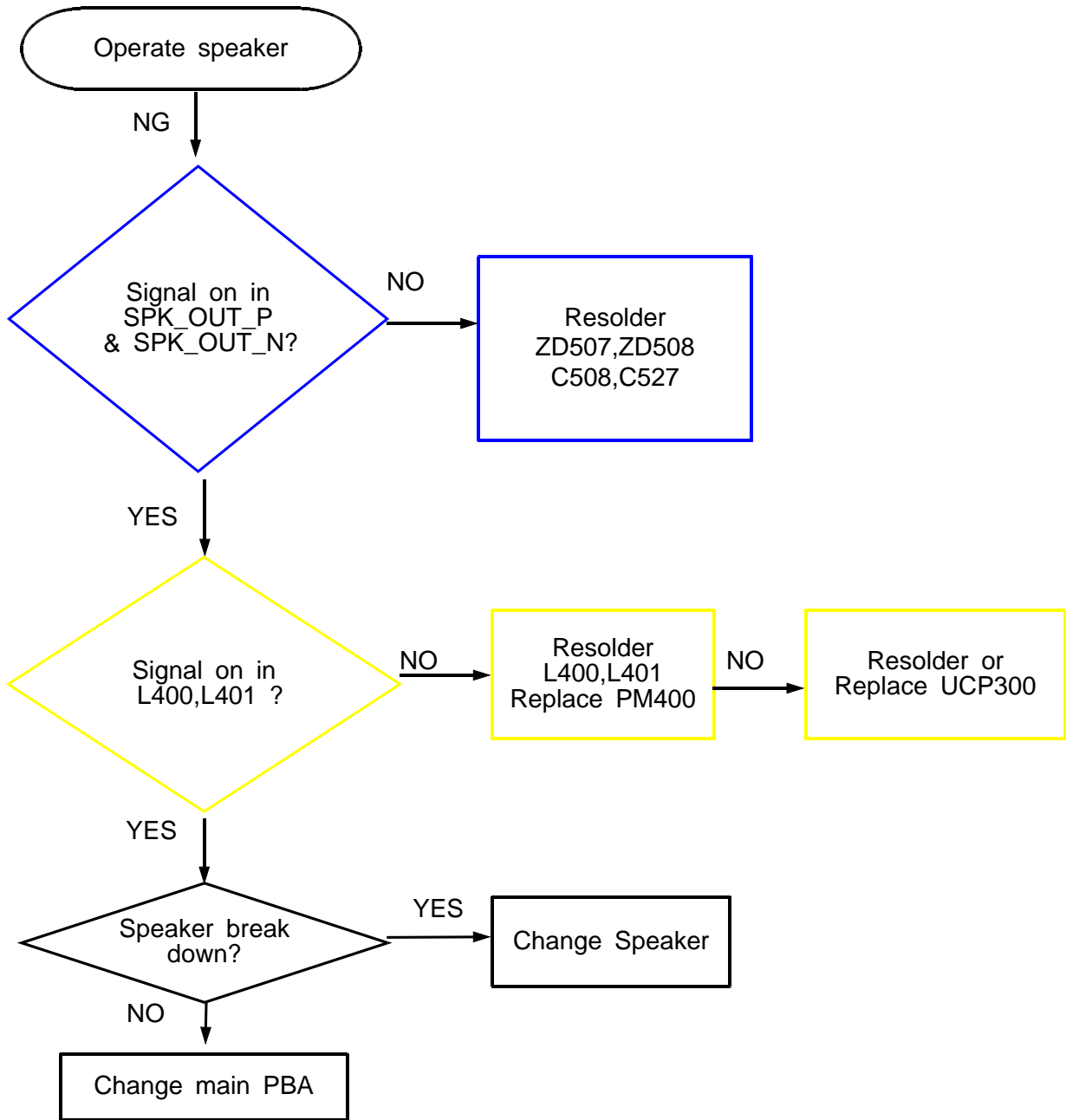


8-3-3. TSP

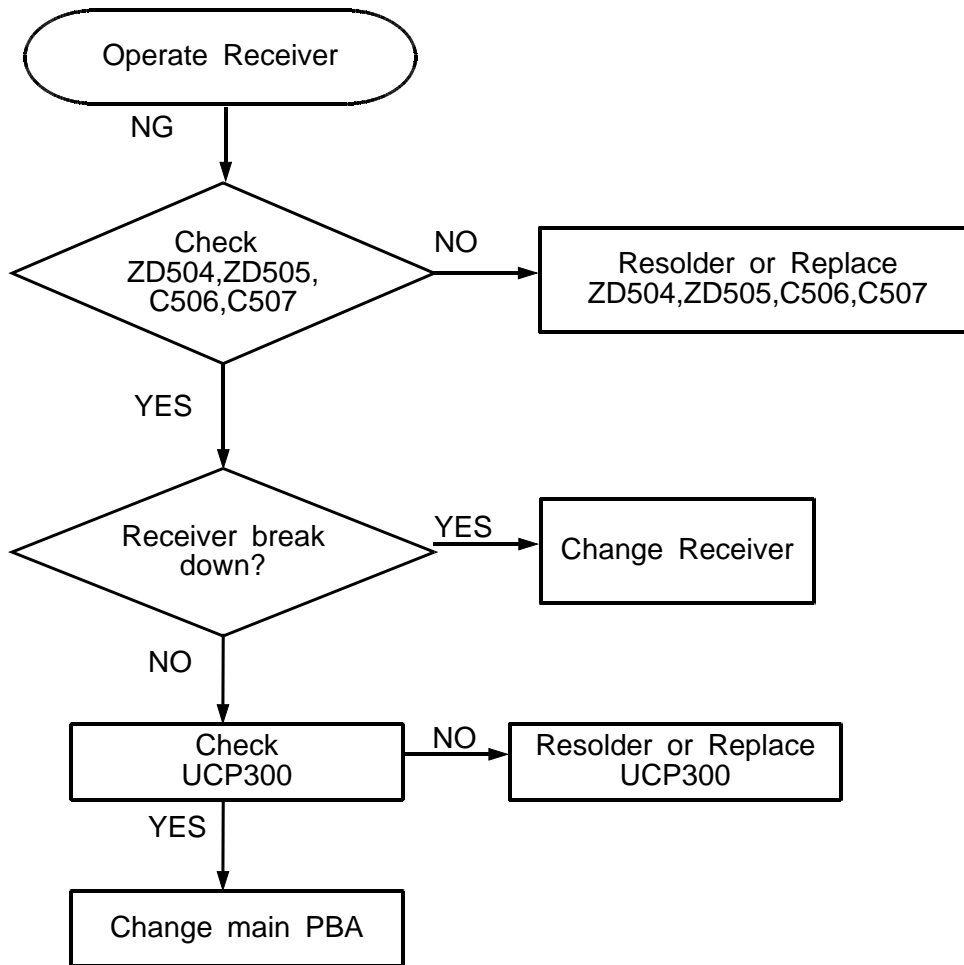


8-3-4. Audio Working

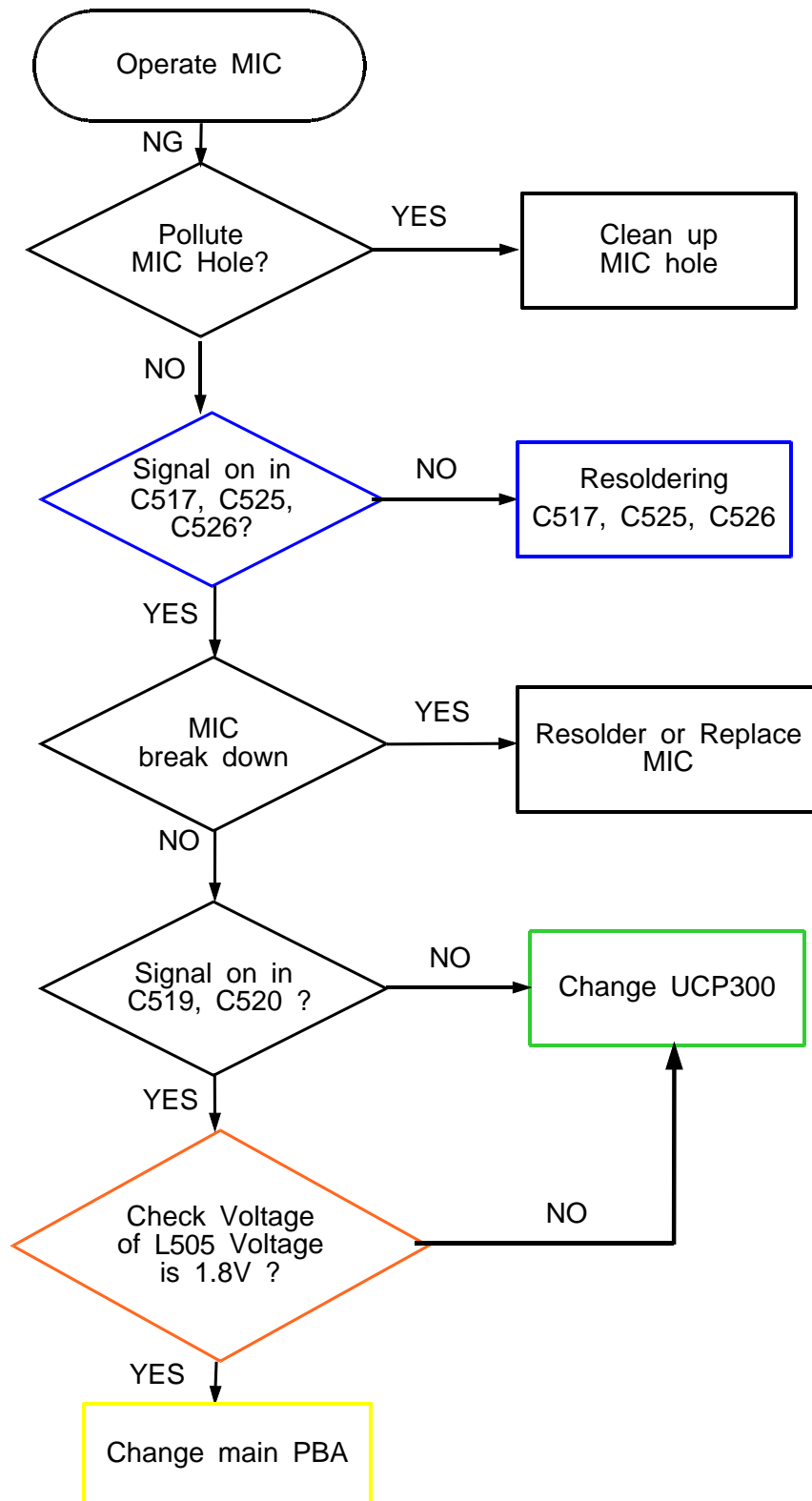
● Speaker Working

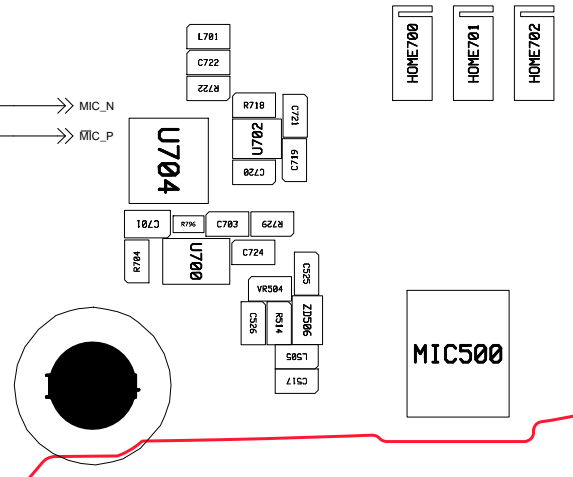
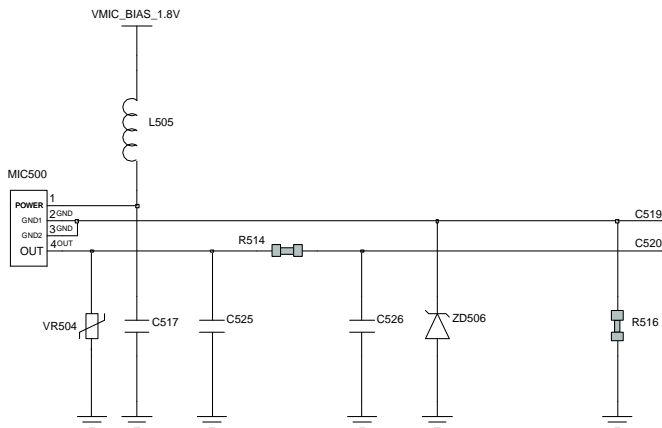
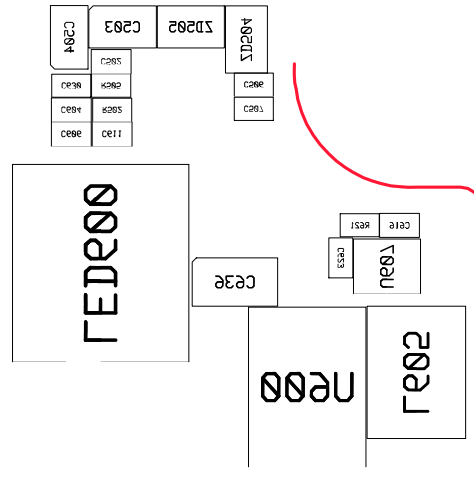
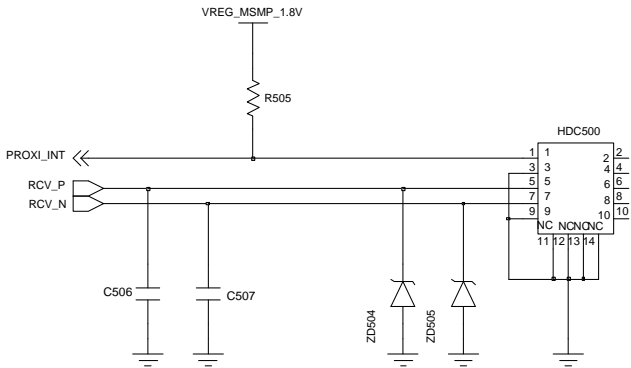


● Receiver Working

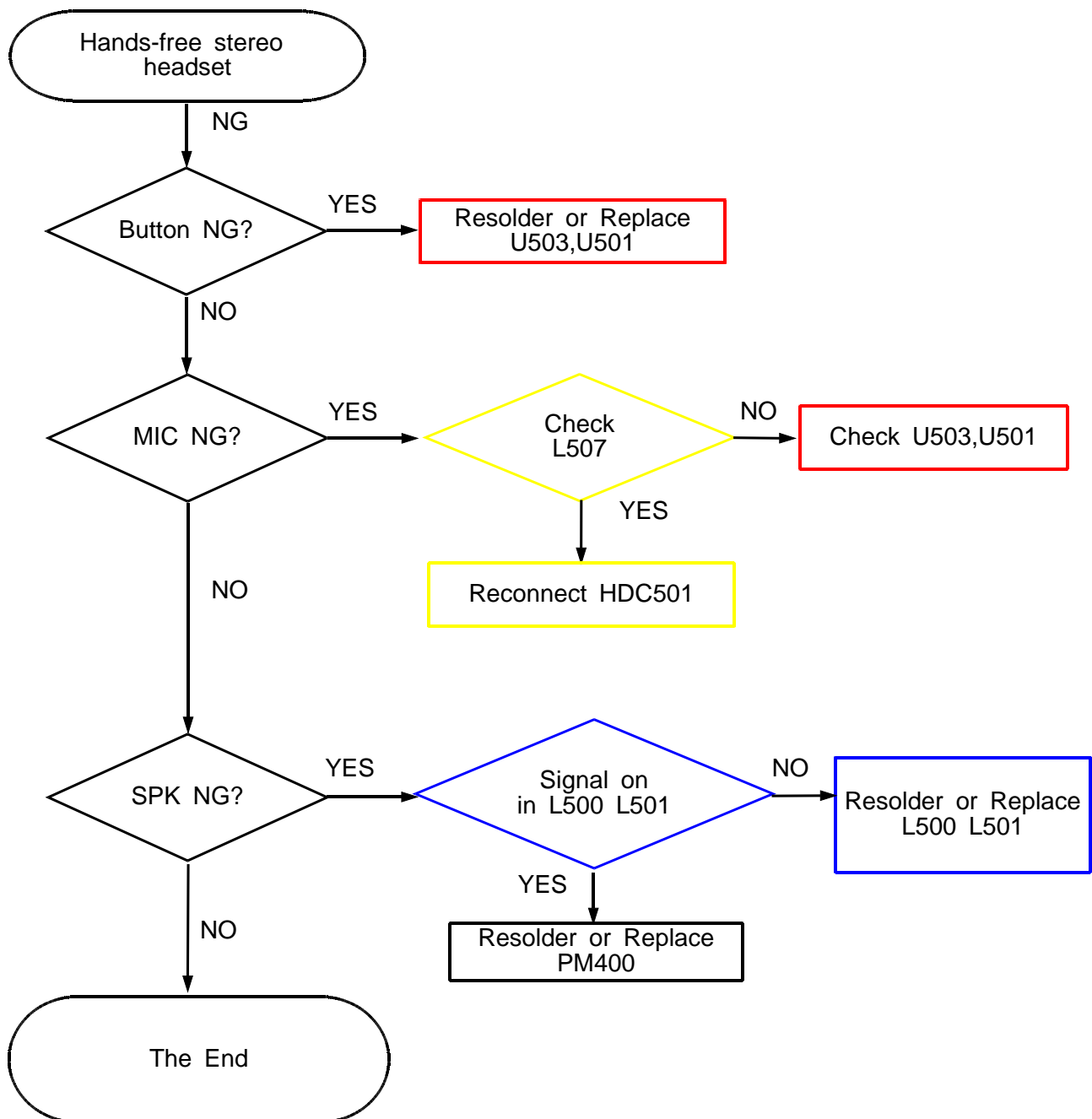


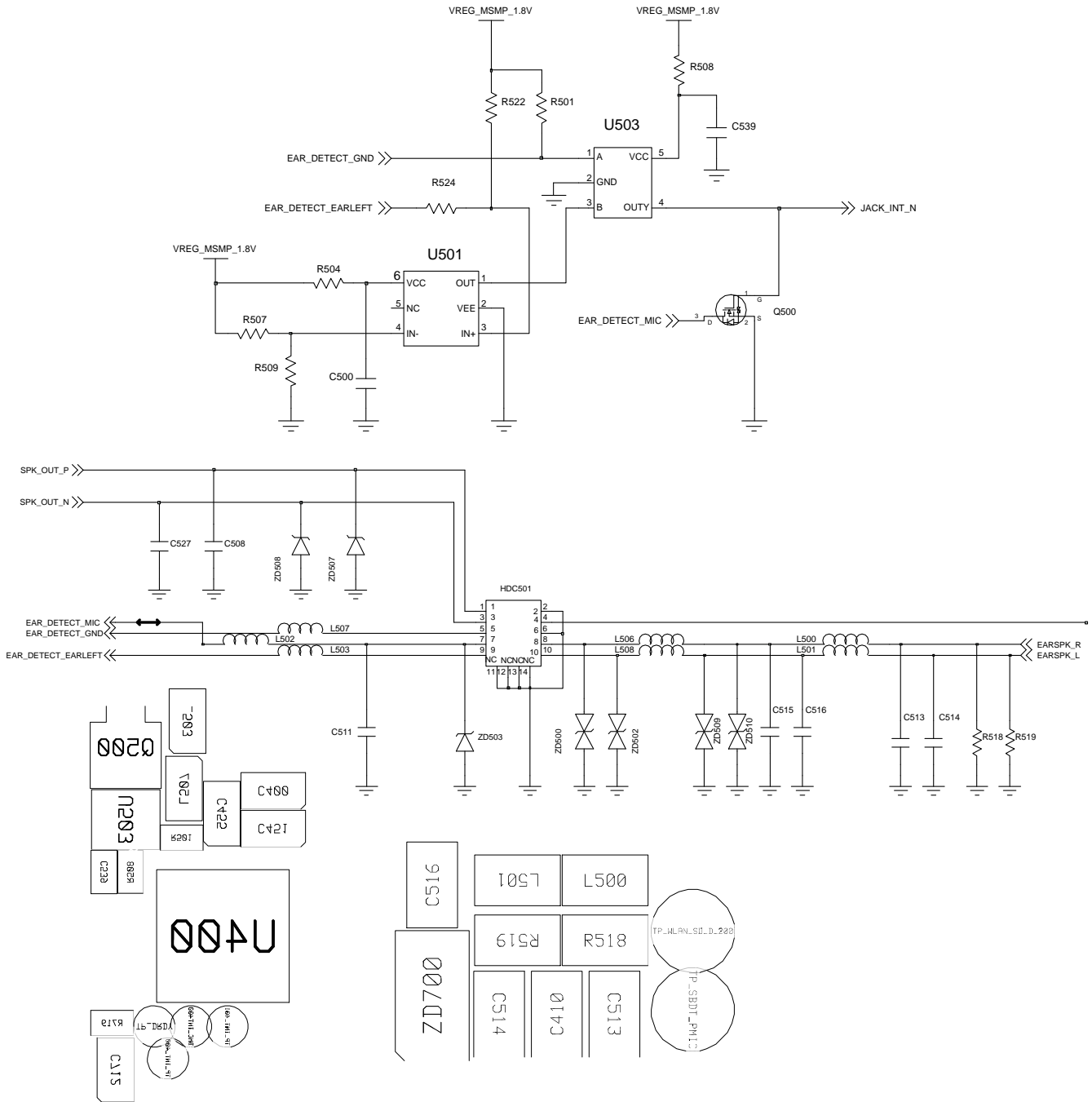
● MIC Working



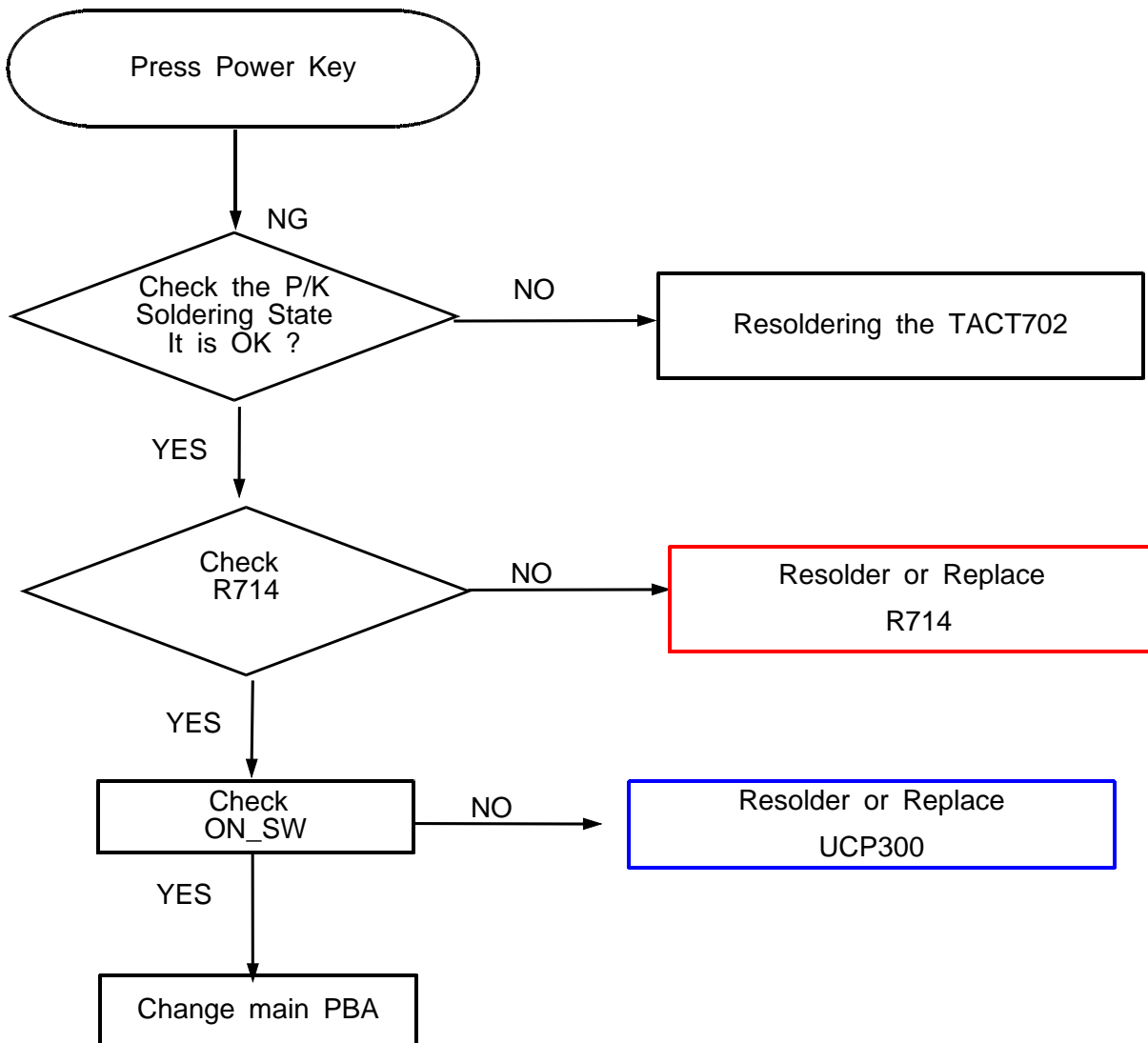


■ Stereo Headset Working

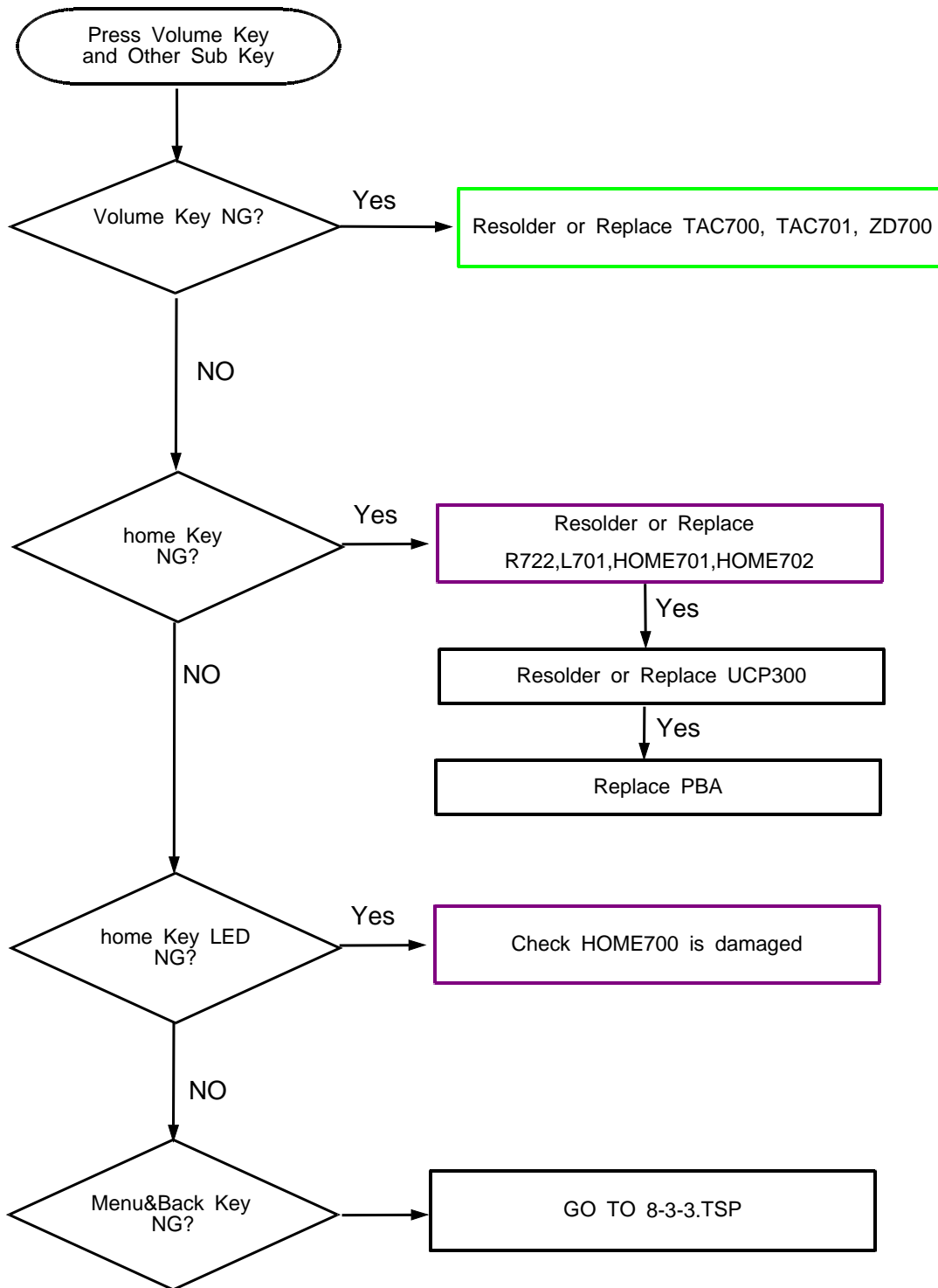


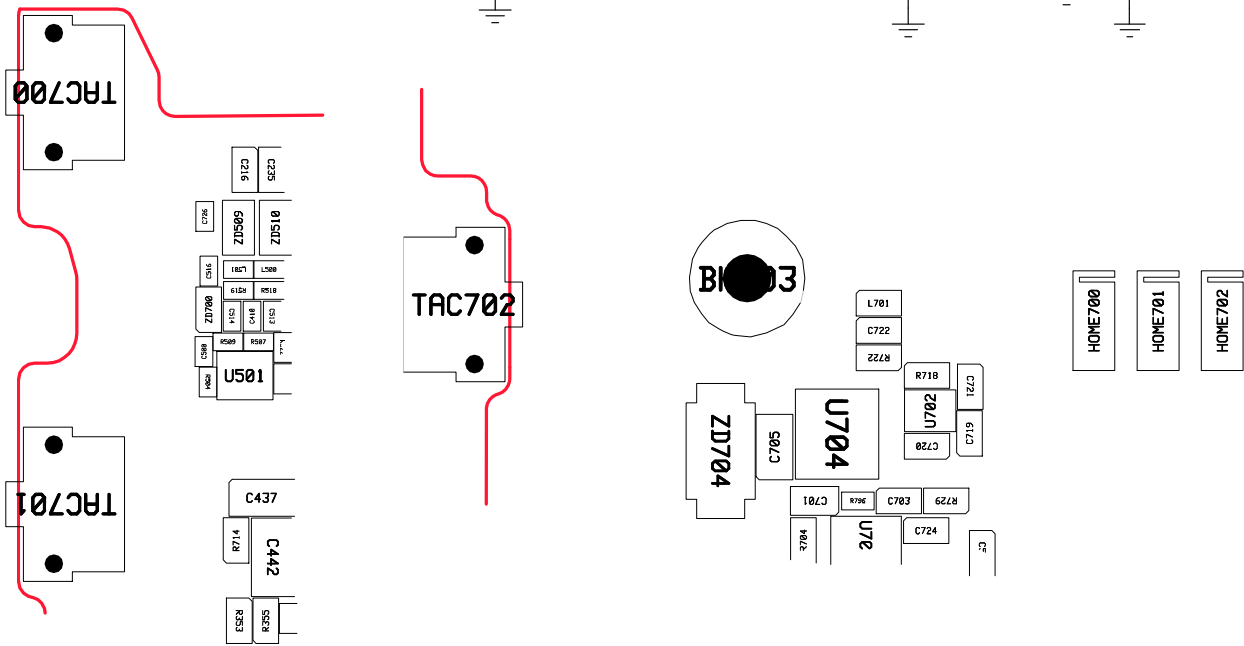
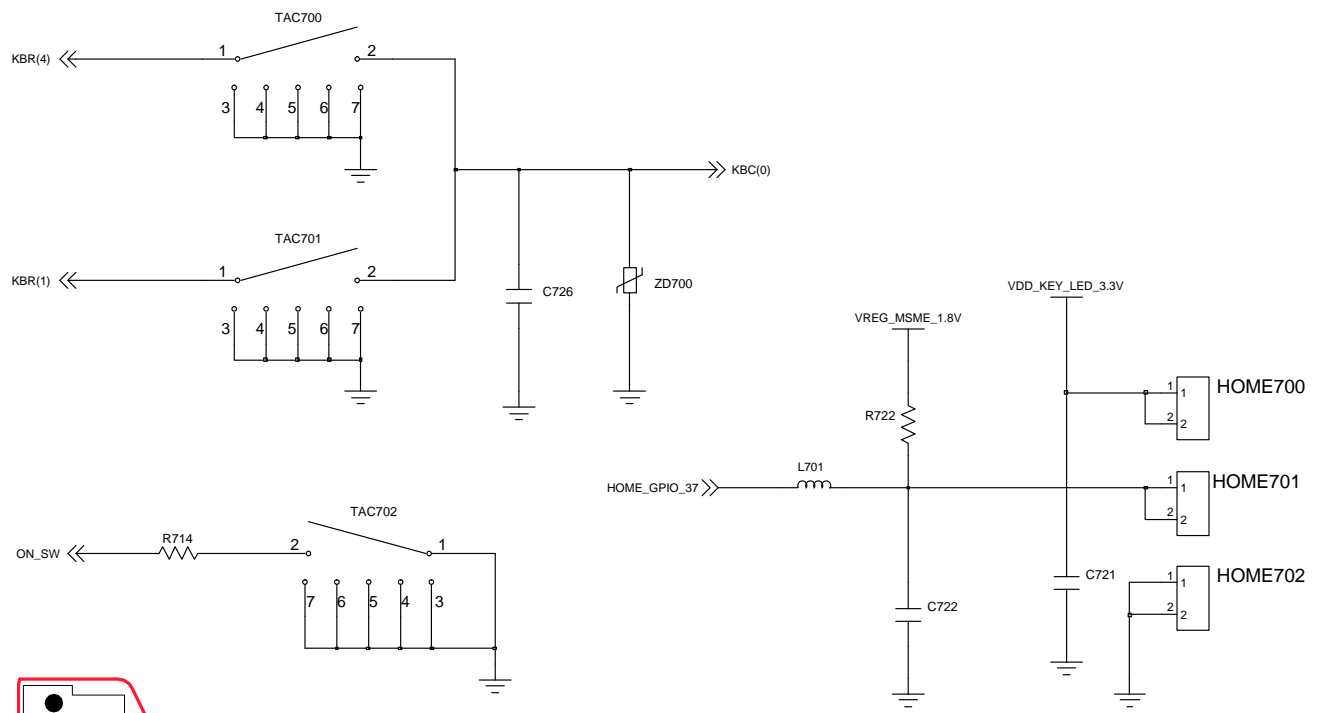


8-3-5. KEY Working

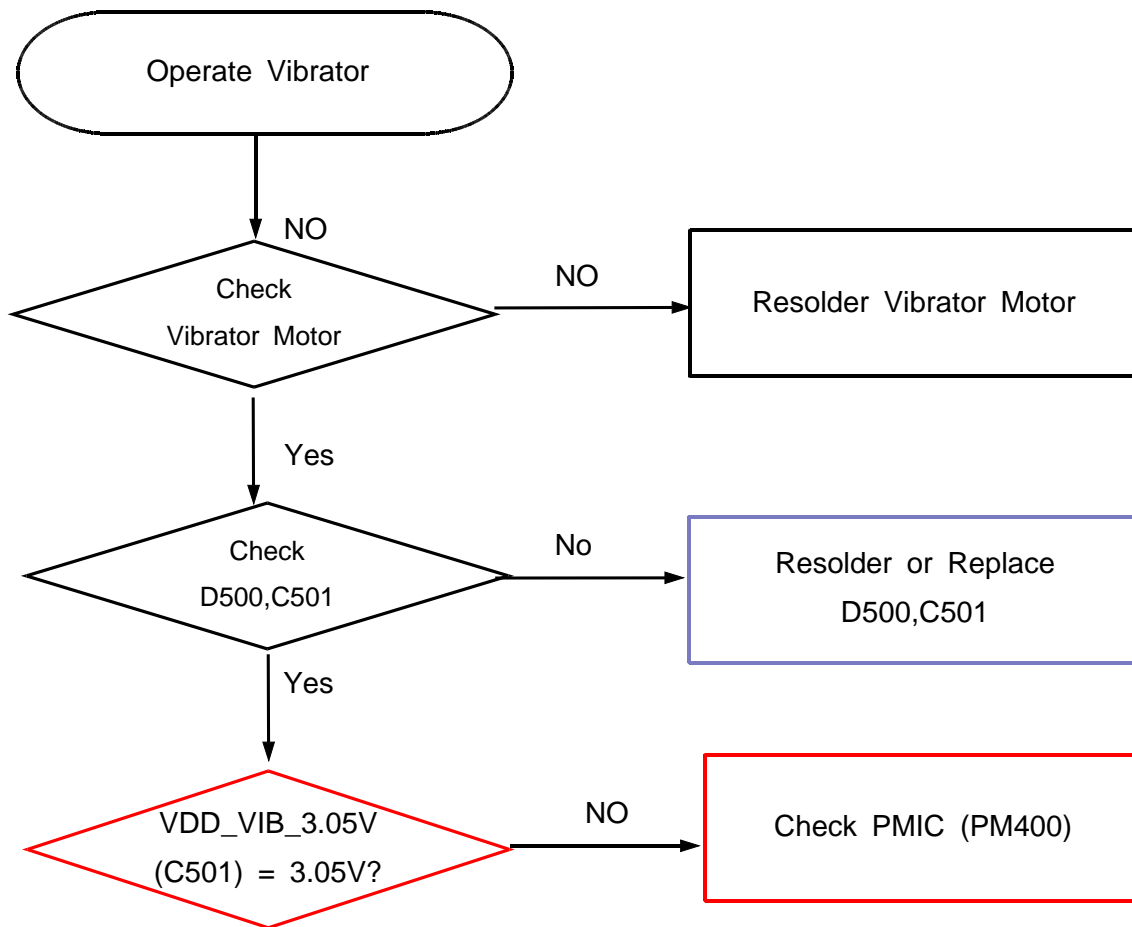
● Power KEY

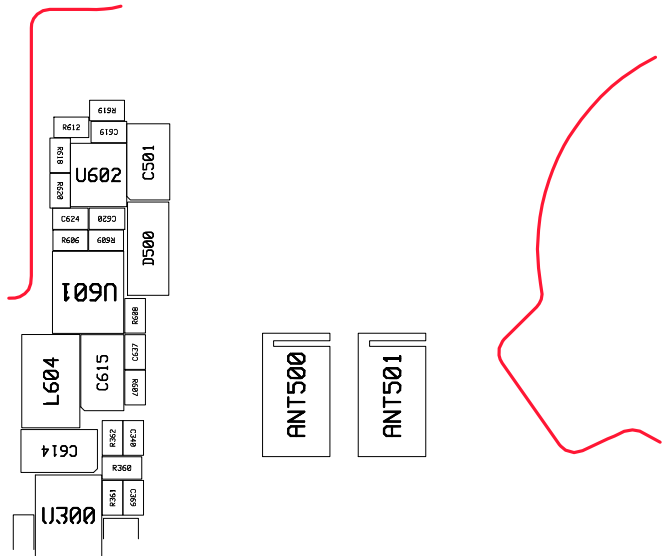
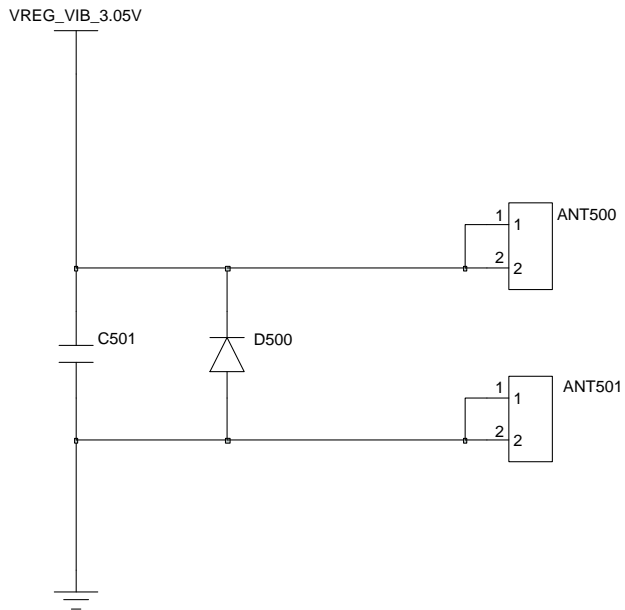
- Volume Key and Oter Sub key



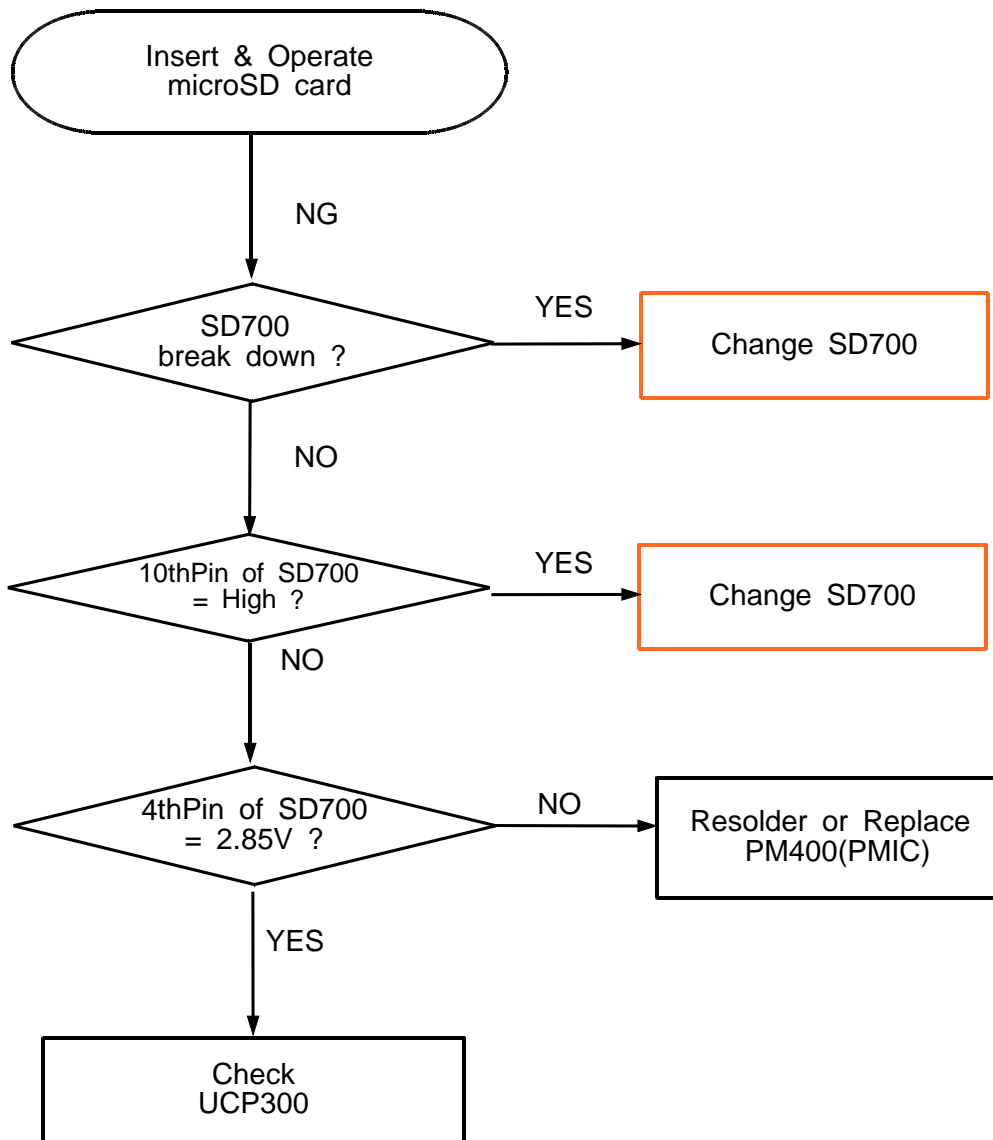


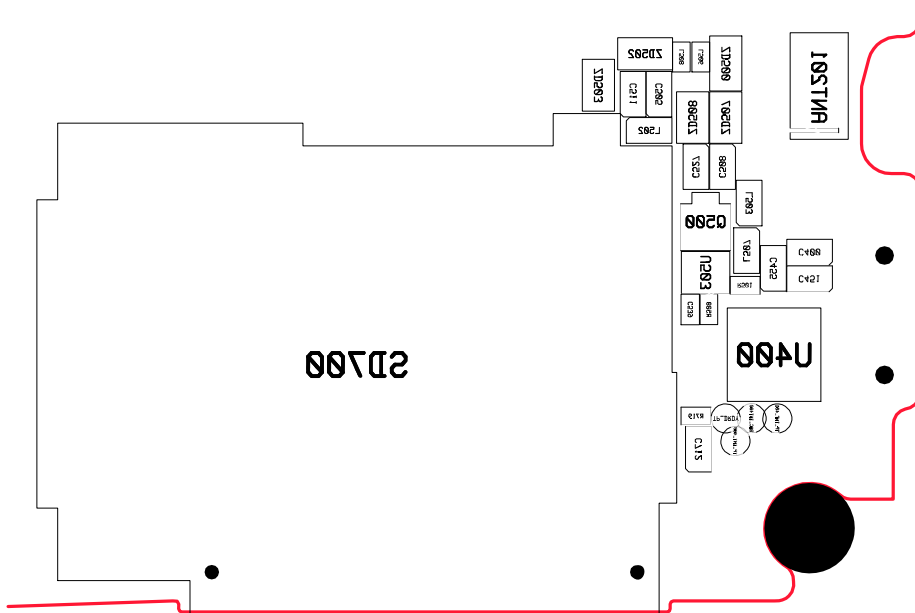
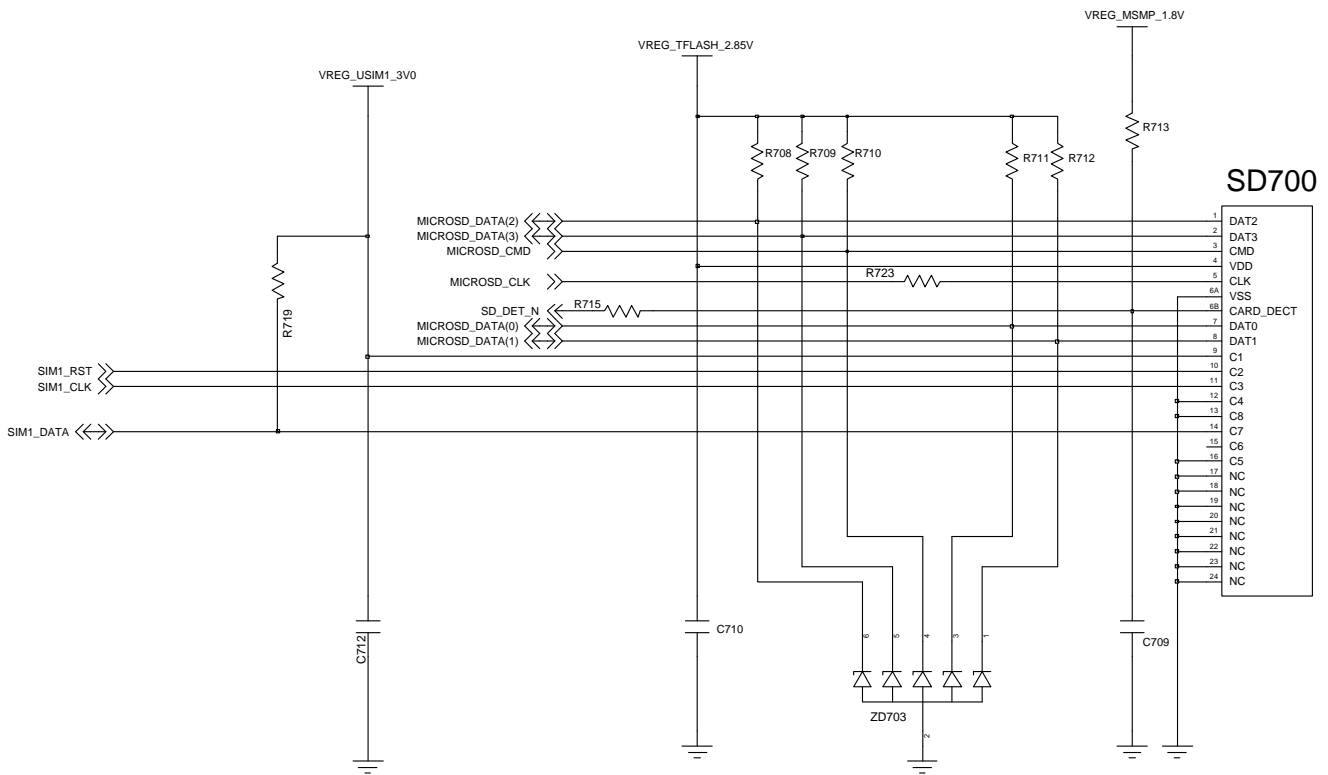
8-3-6. Vibrator Working



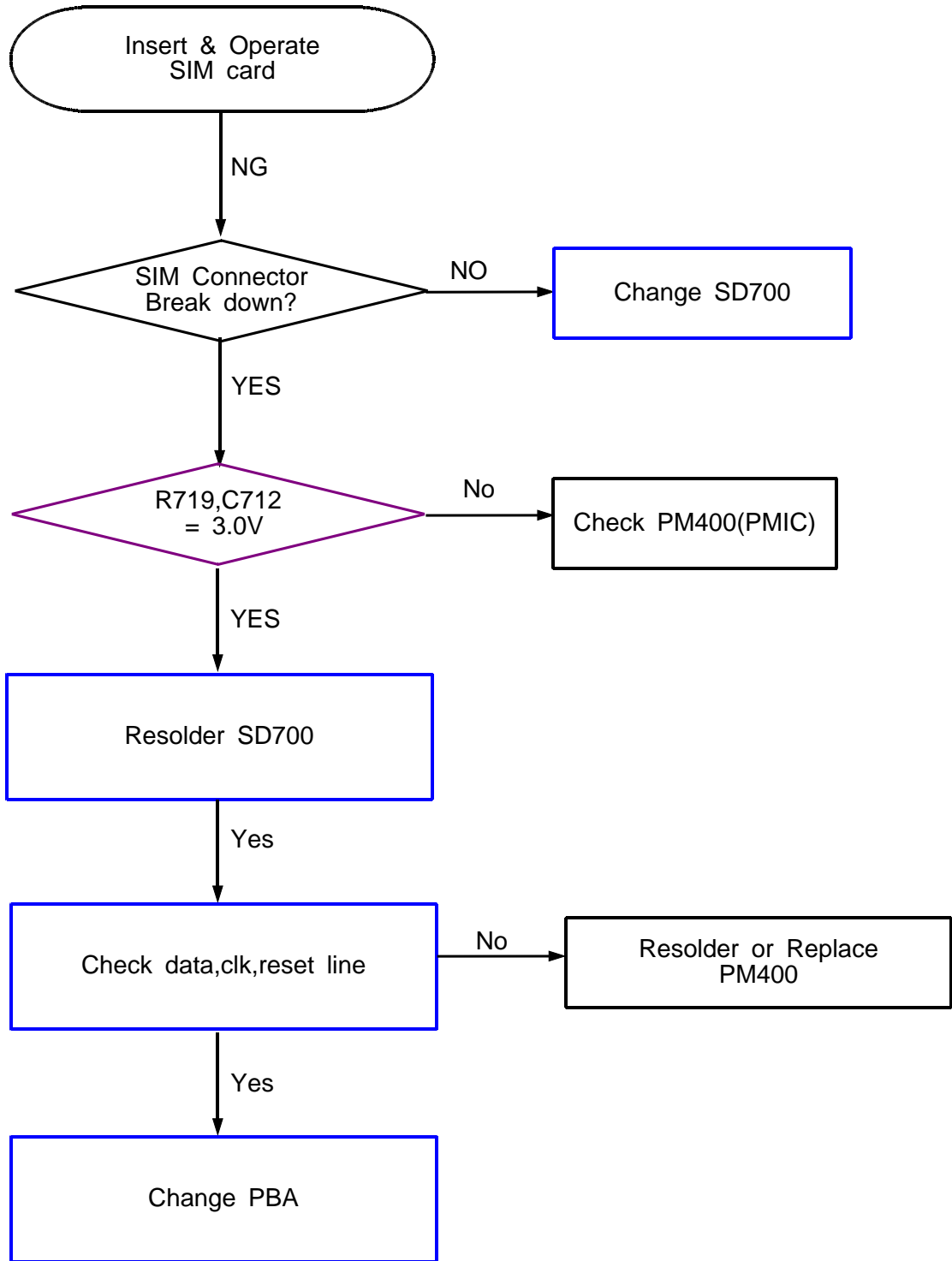


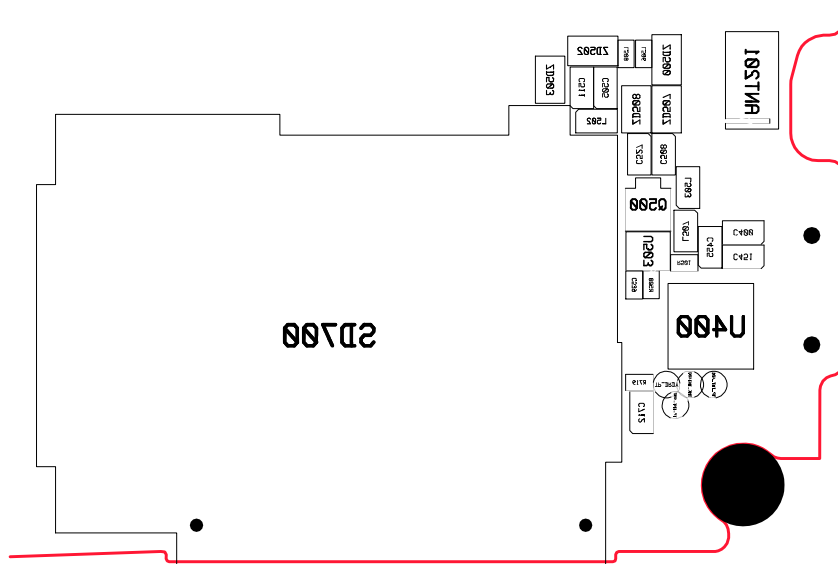
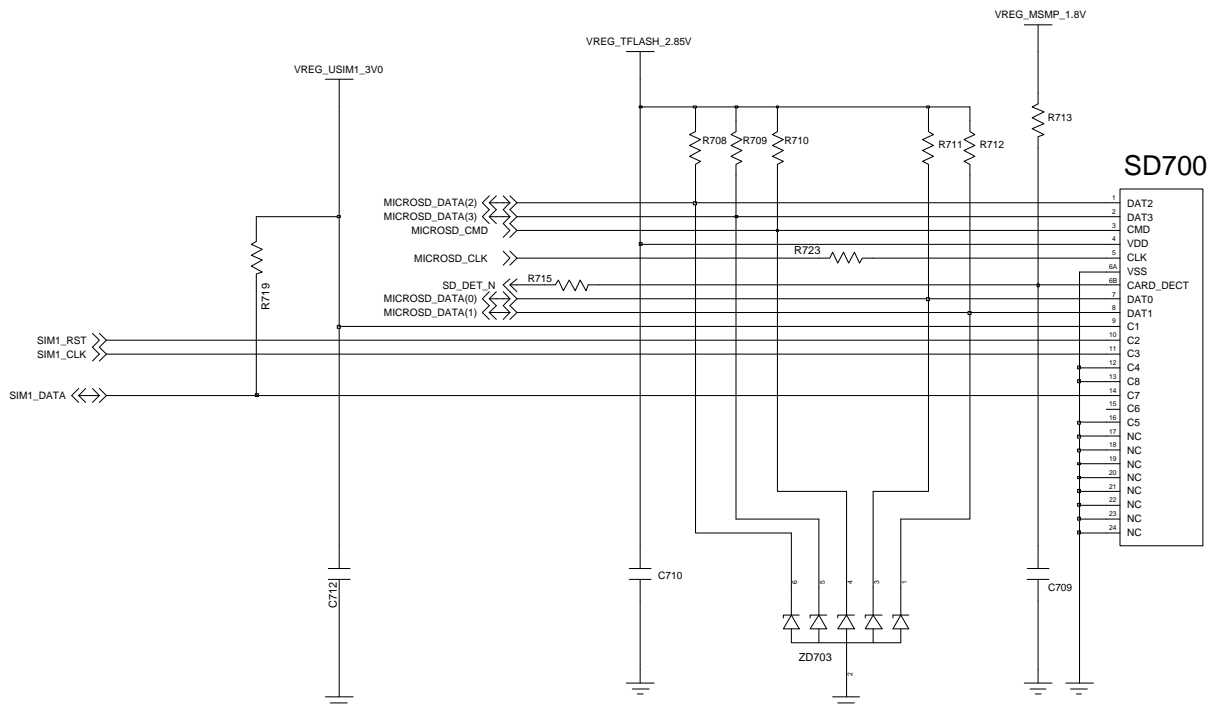
8-3-7. T-Flash Card Working





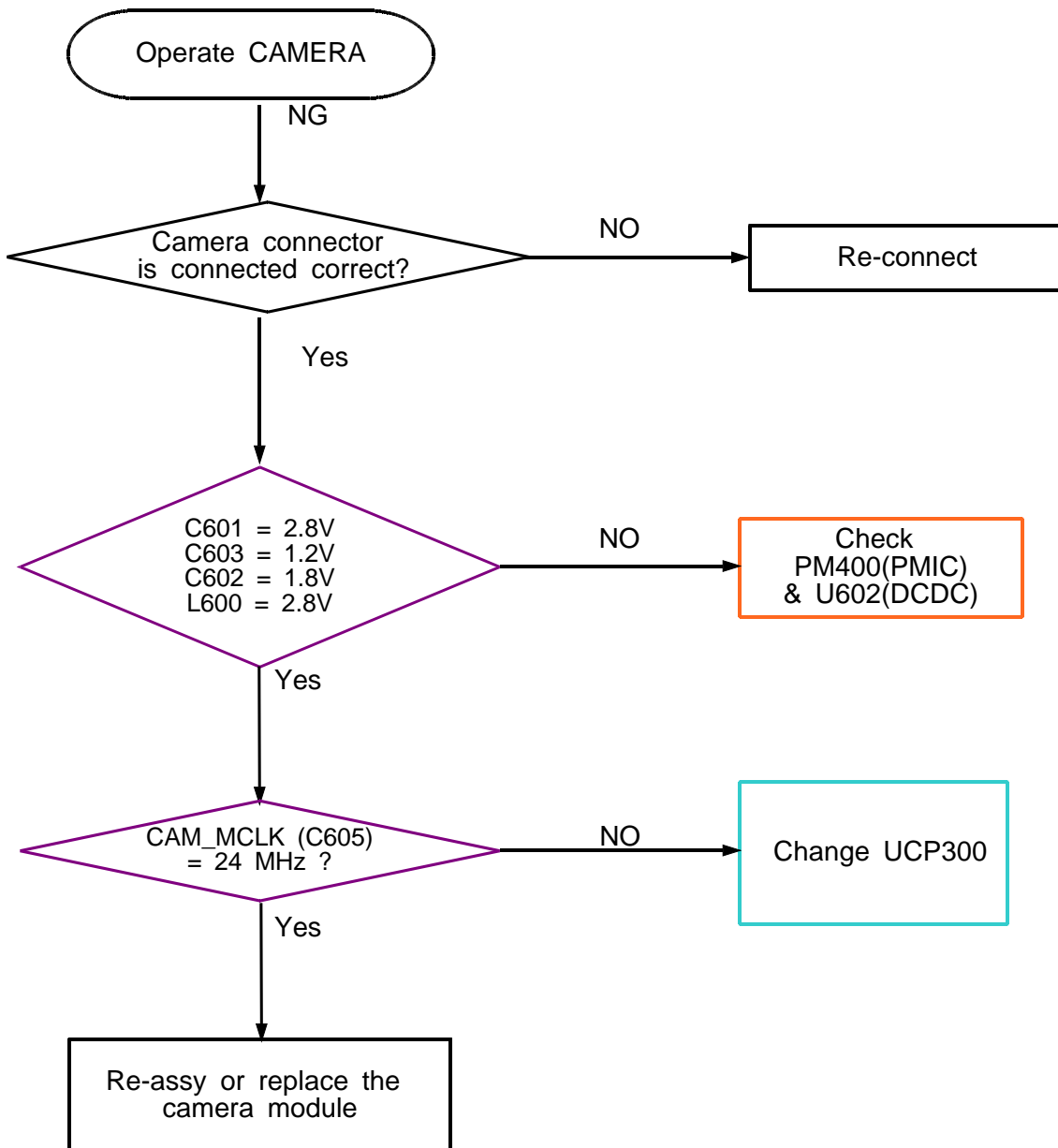
8-3-8. SIM Card Working

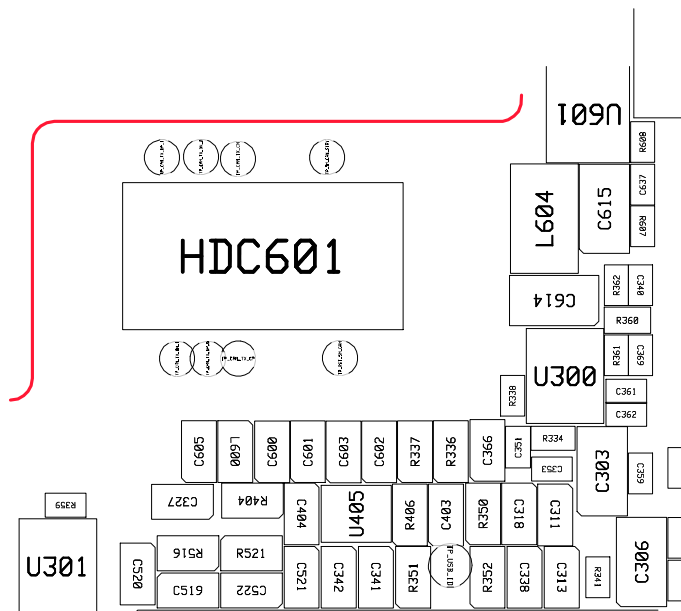
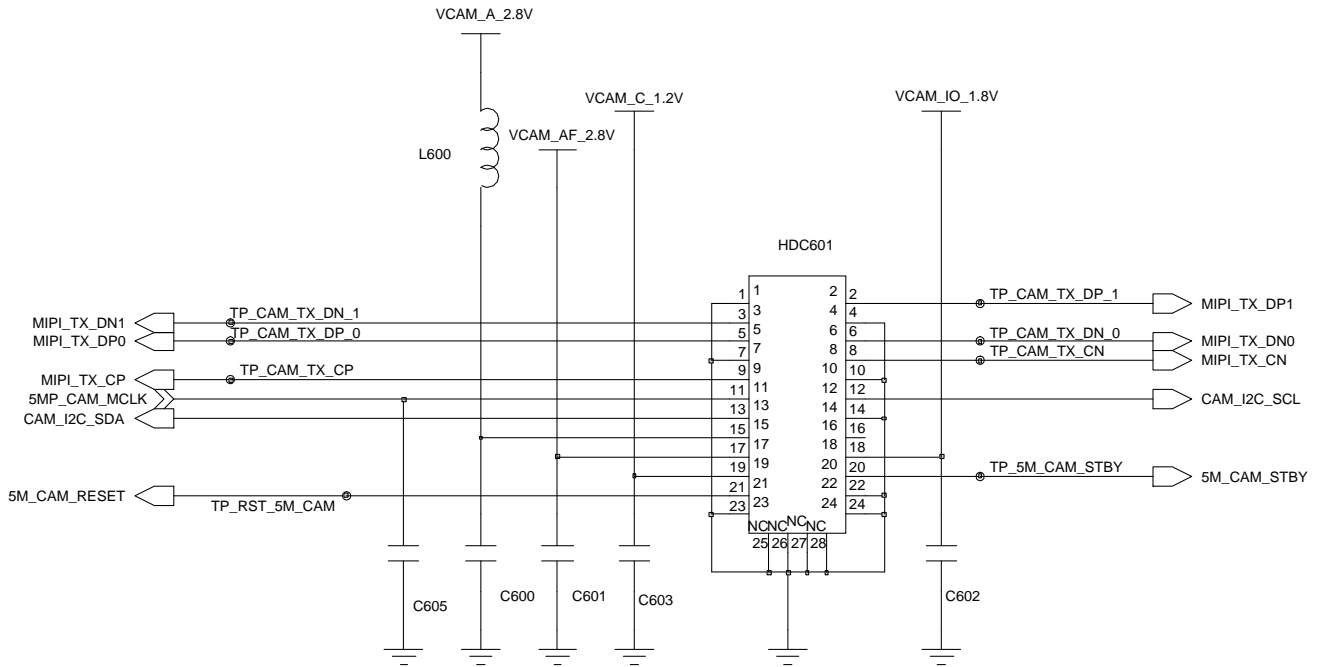




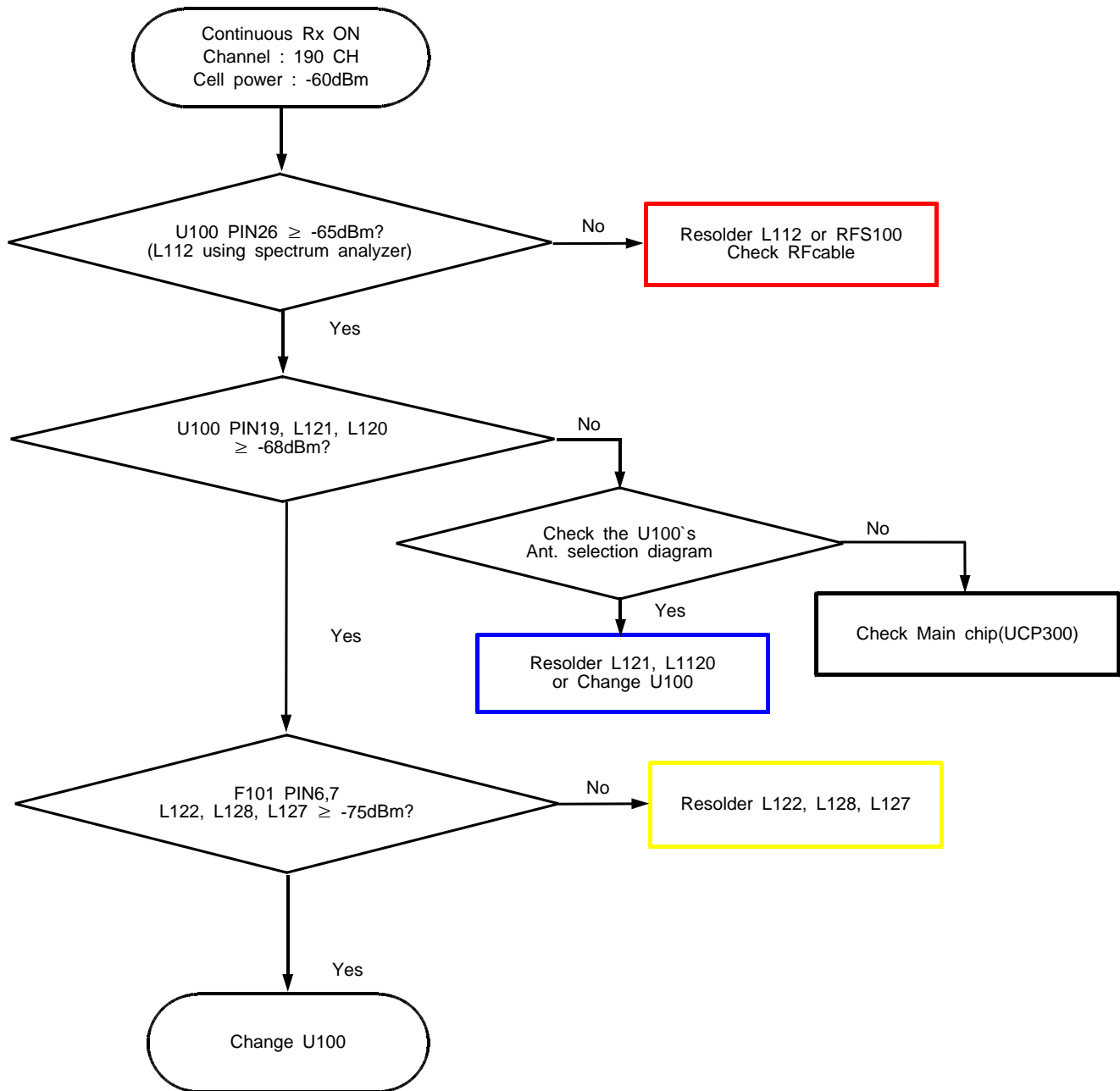
8-3-9 CAMERA Working

■ 5M CAM

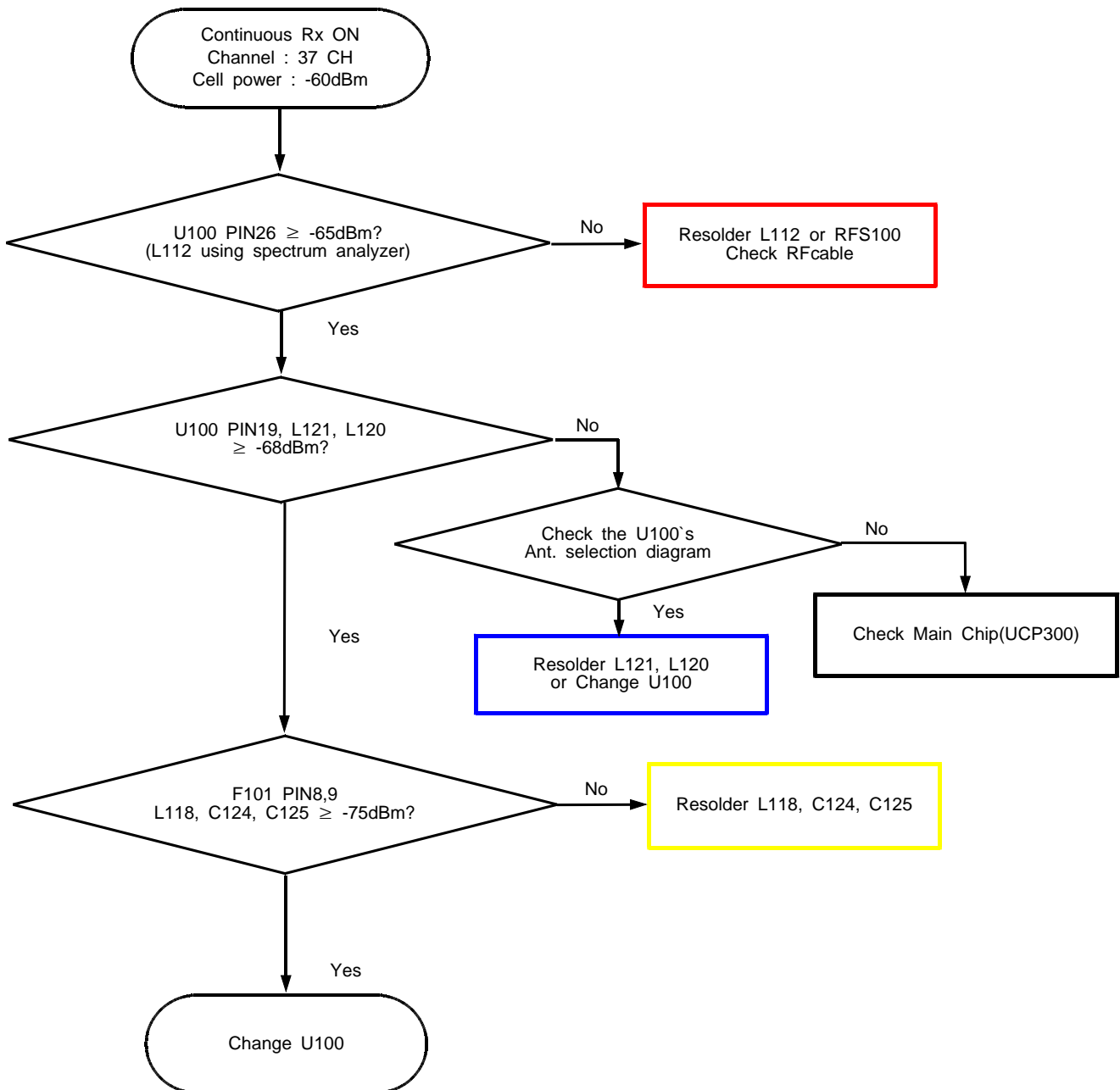




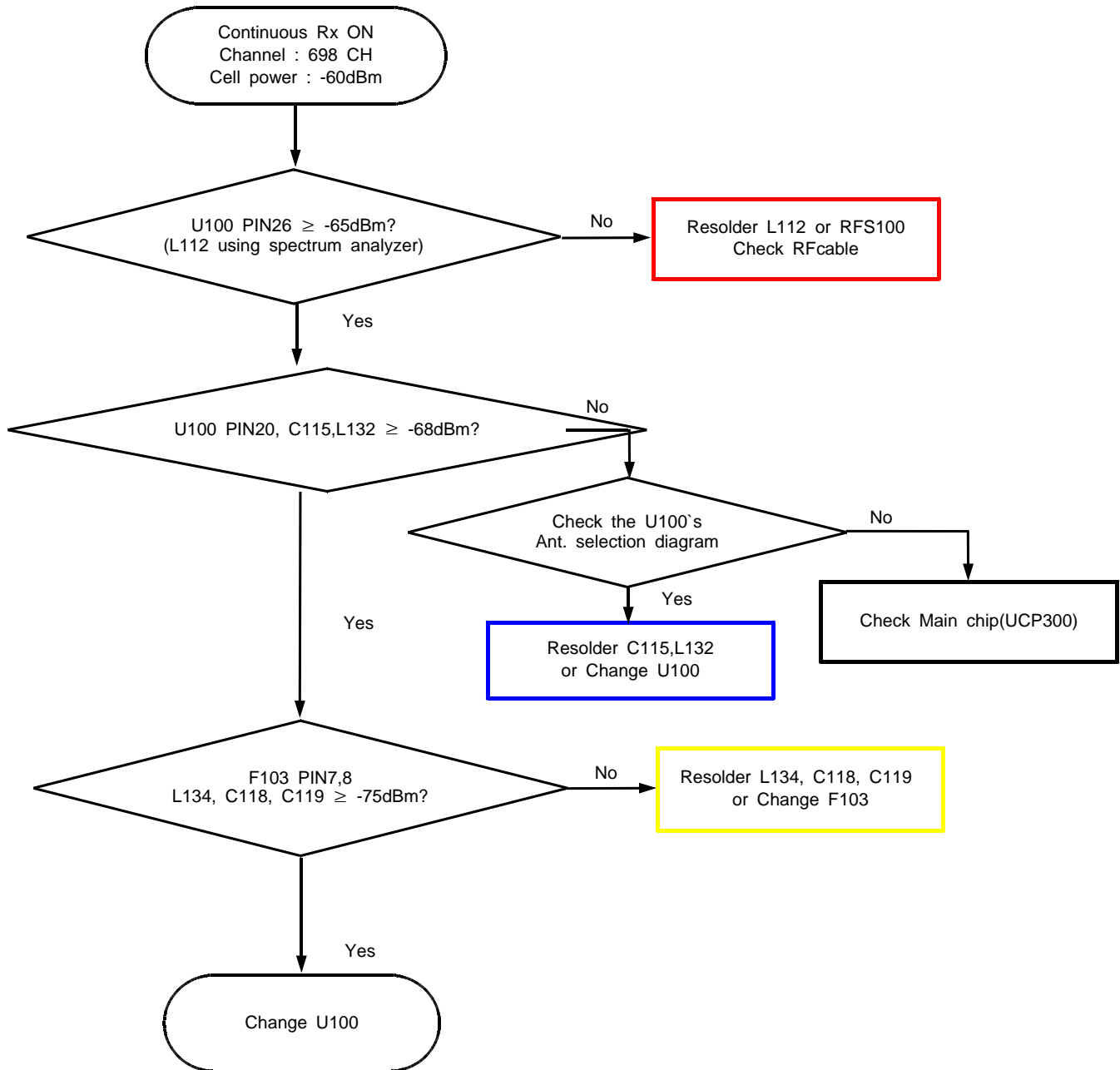
8-4-1. GSM850 Rx



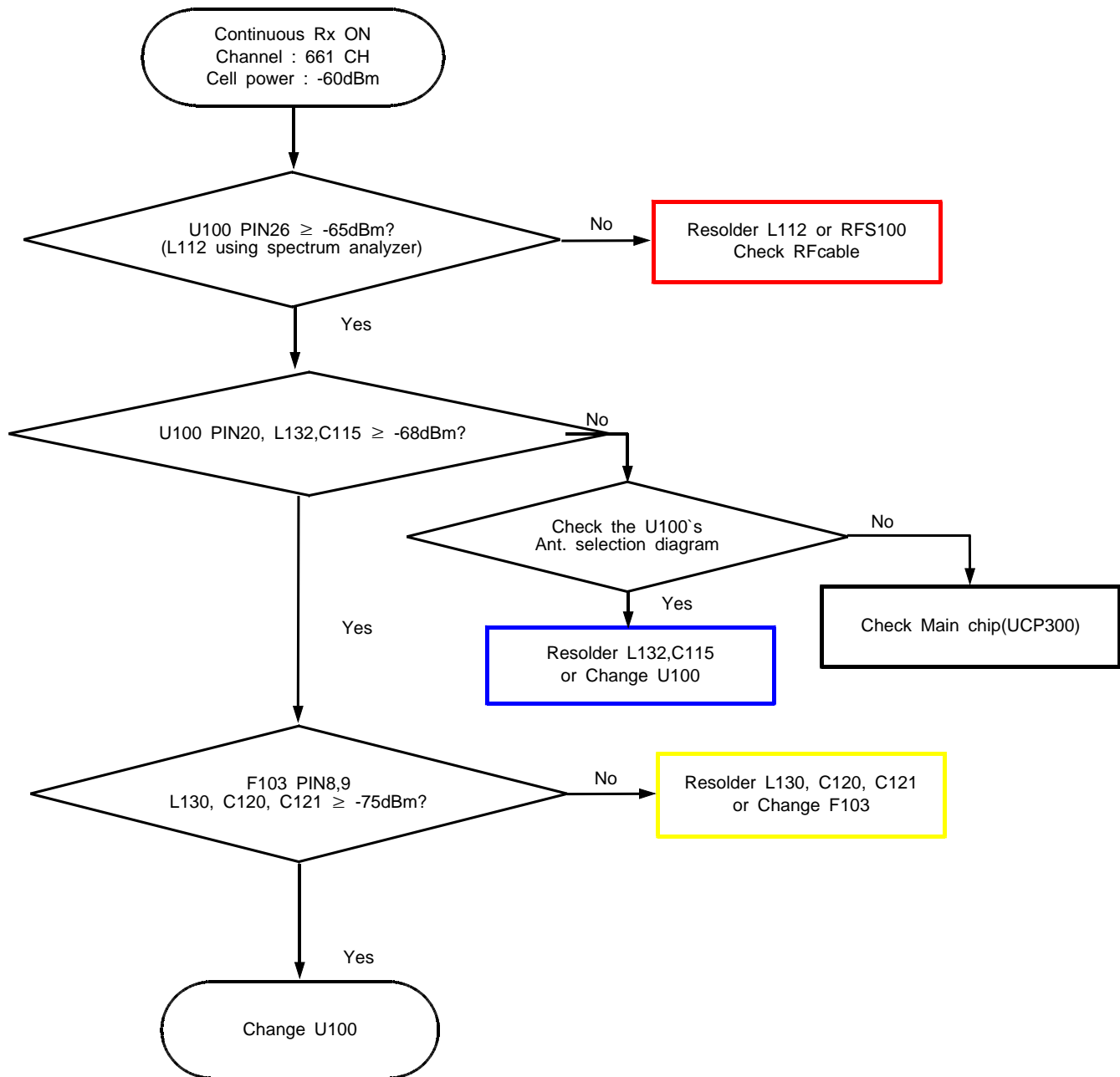
8-4-2. GSM900 Rx

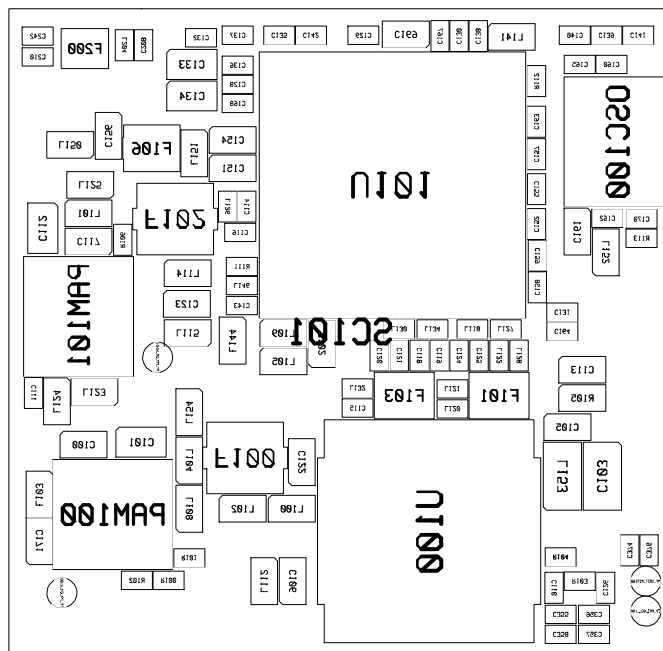
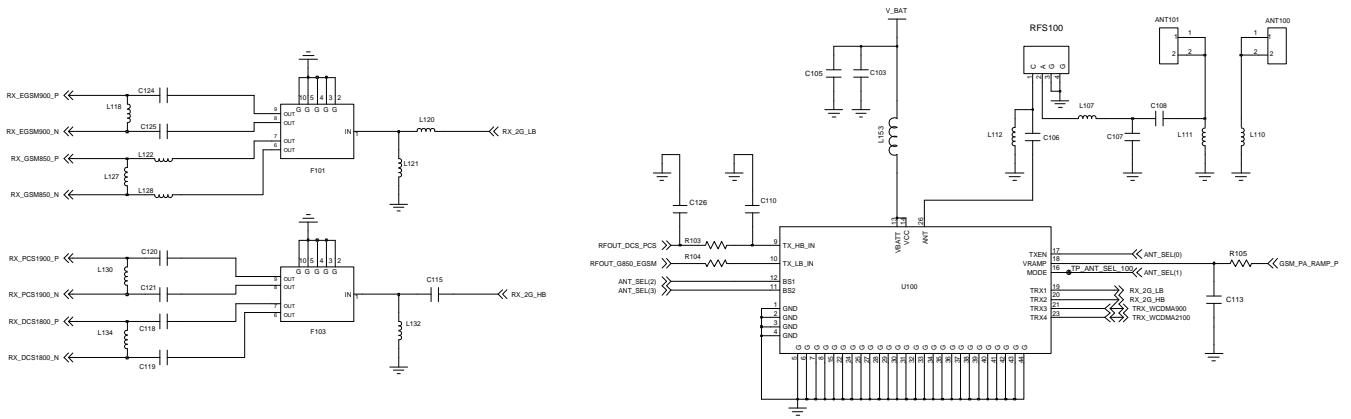


8-4-3. DCS Rx

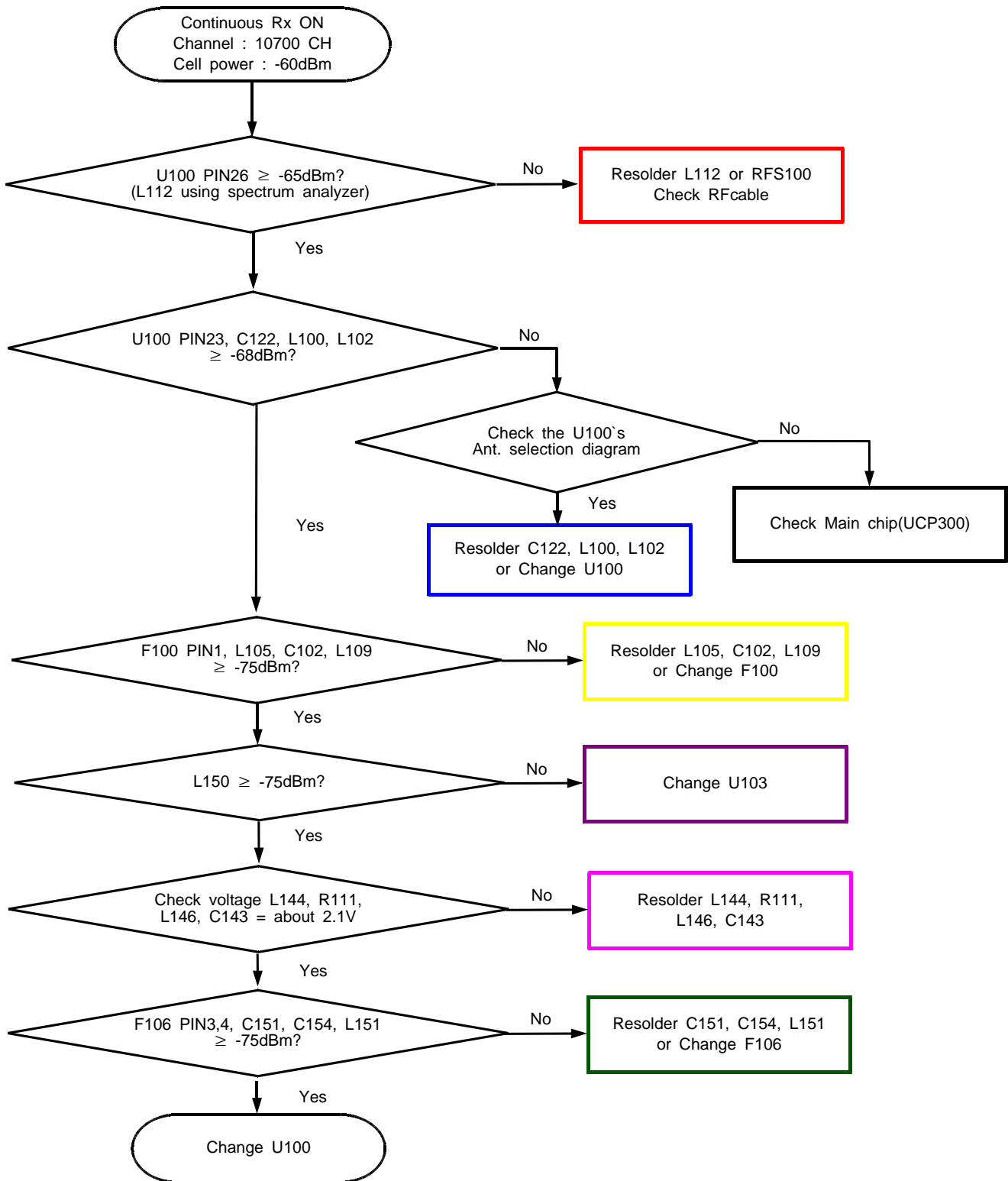


8-4-4. PCS Rx

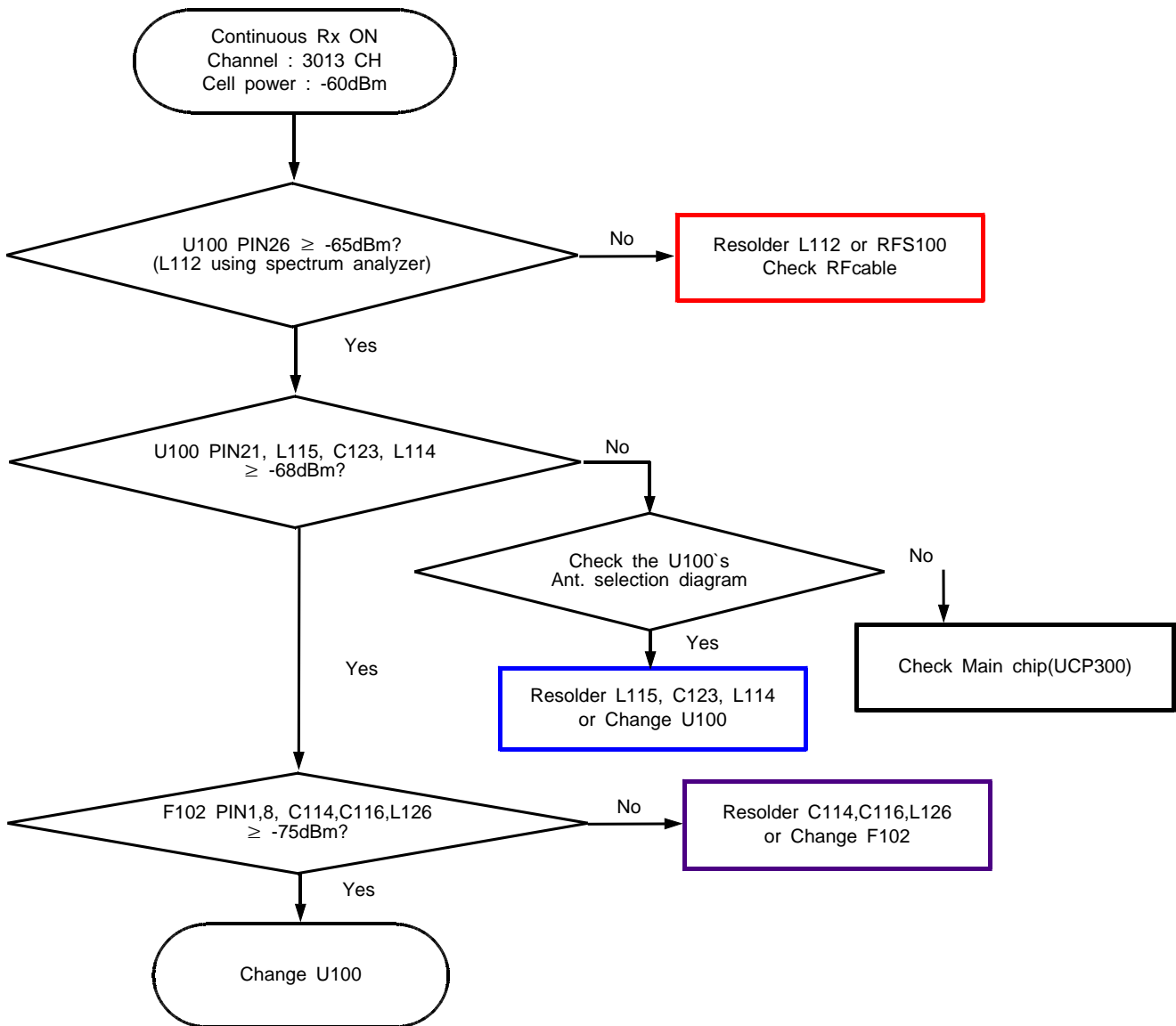


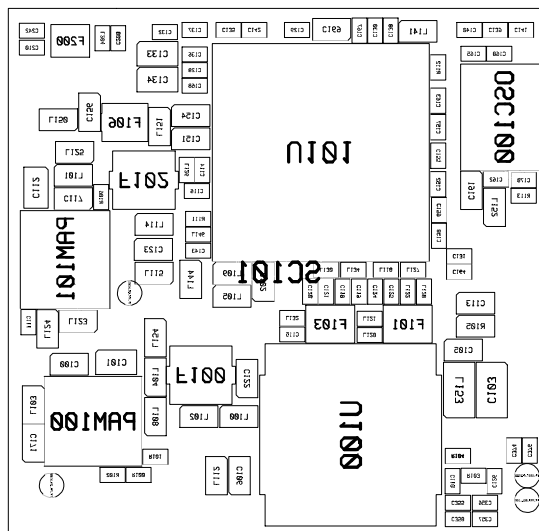
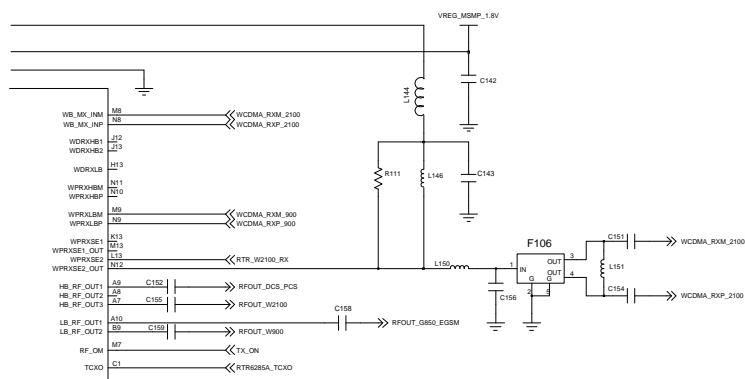
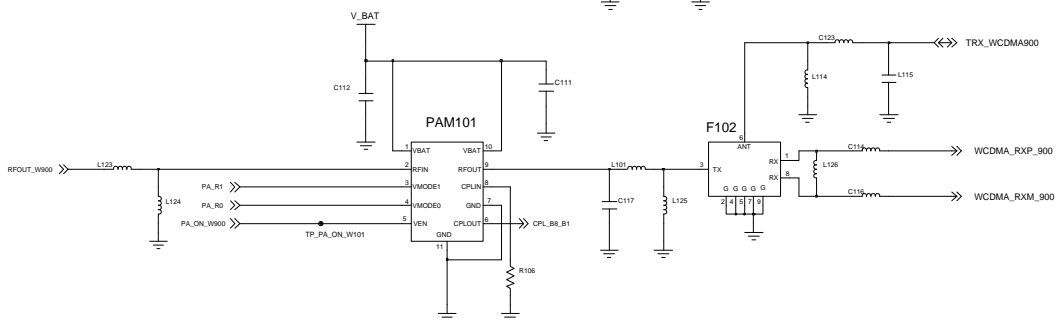
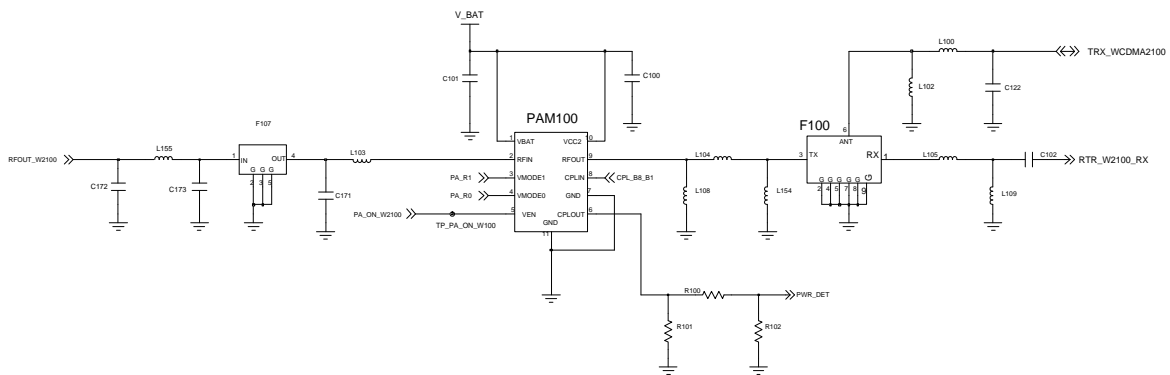


8-4-5. WCDMA Band1 (2100) Rx

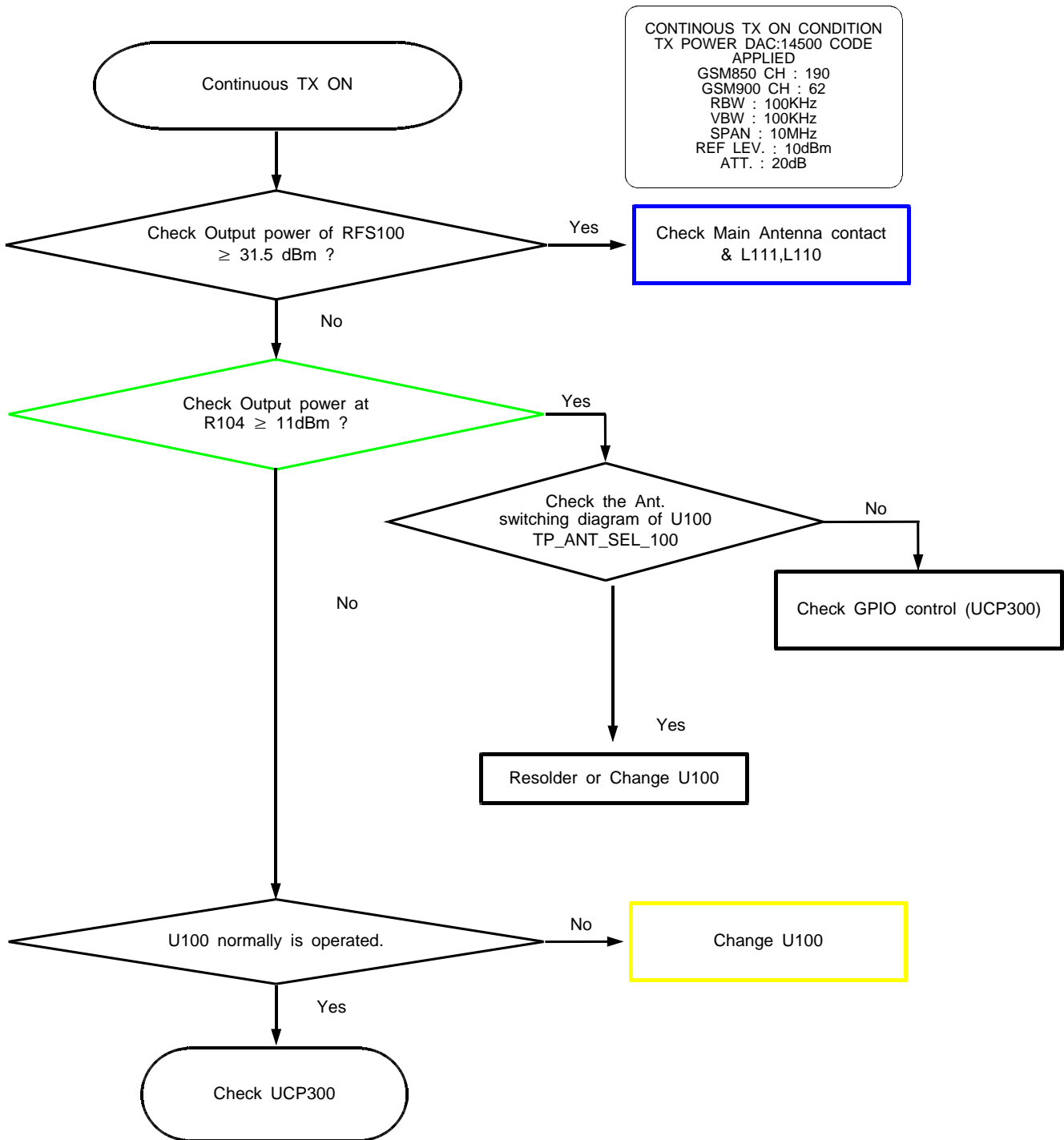


8-4-6. WCDMA Band8 (900) Rx

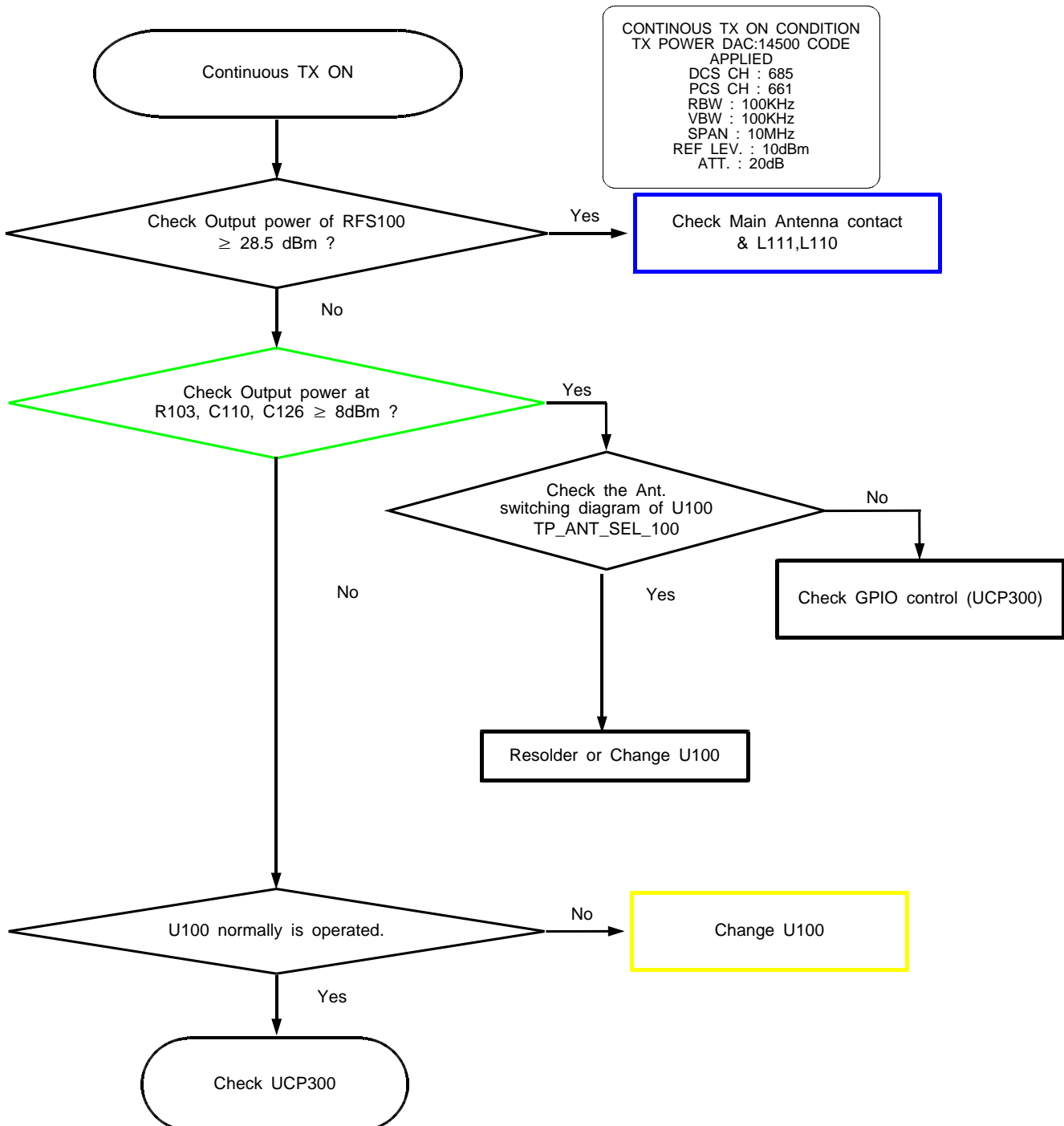


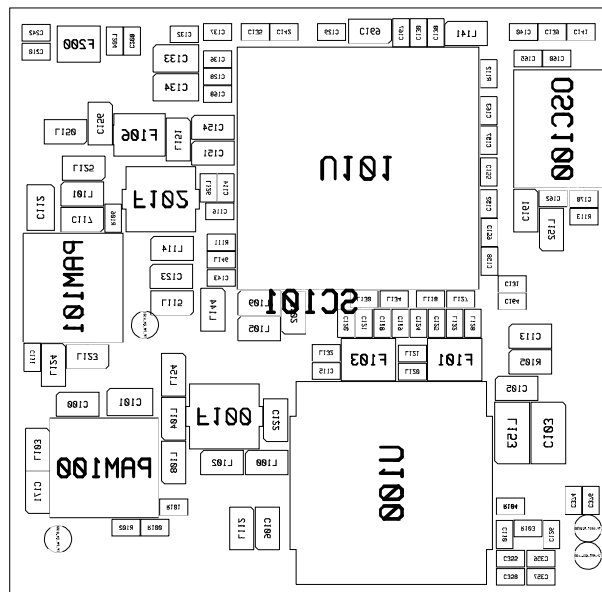
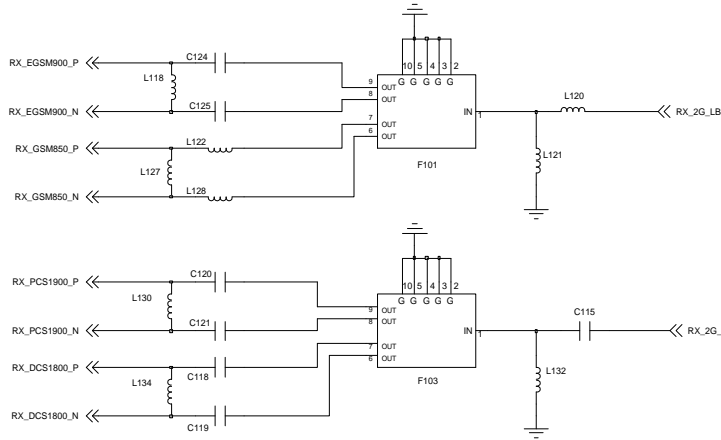
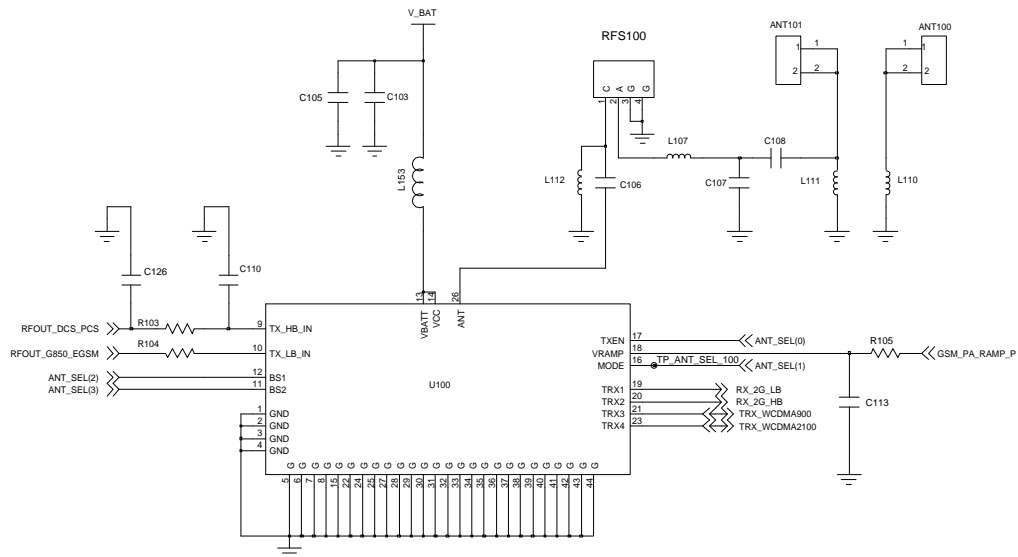


8-4-7. GSM850/900 Tx

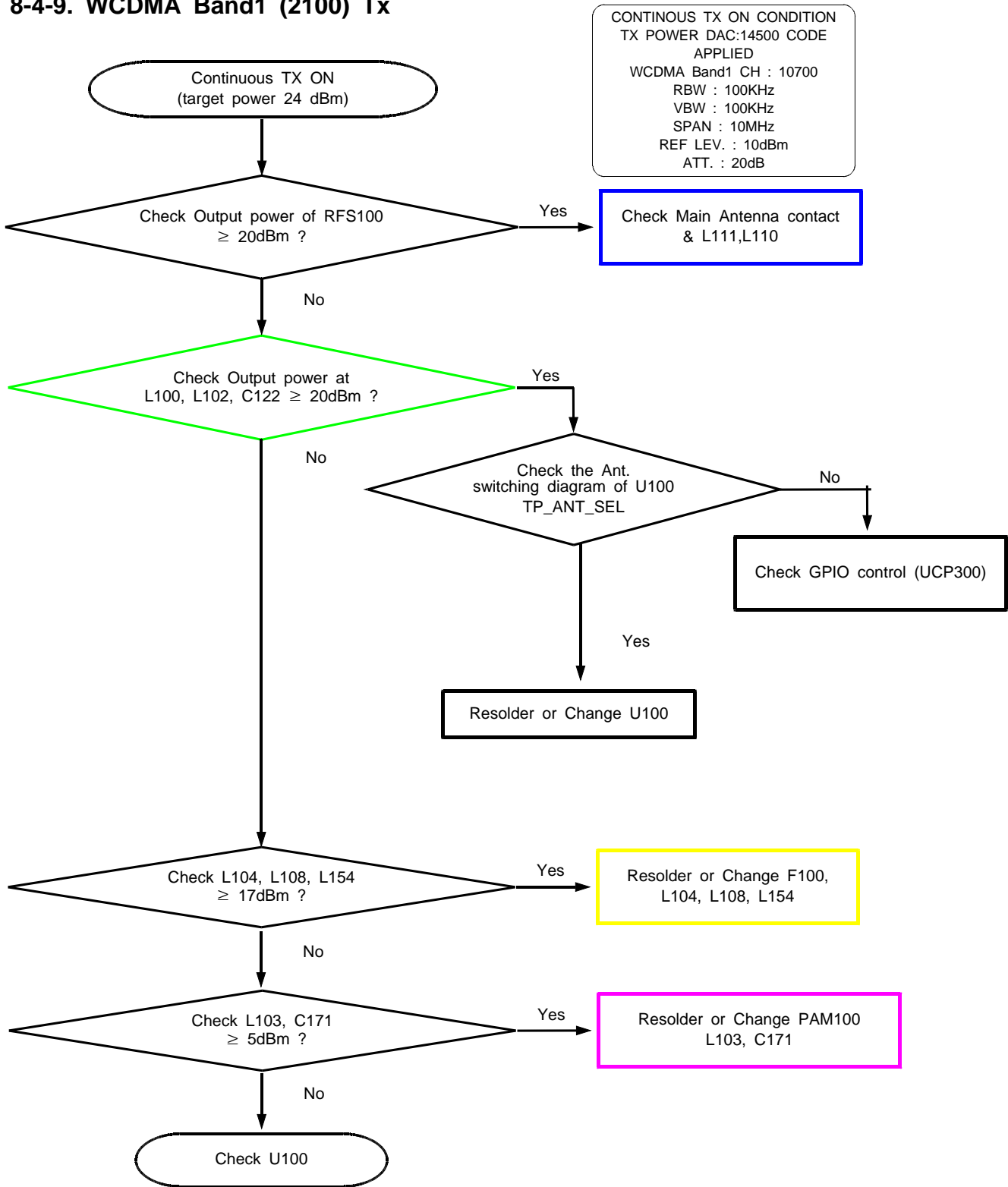


8-4-8. DCS/PCS Tx

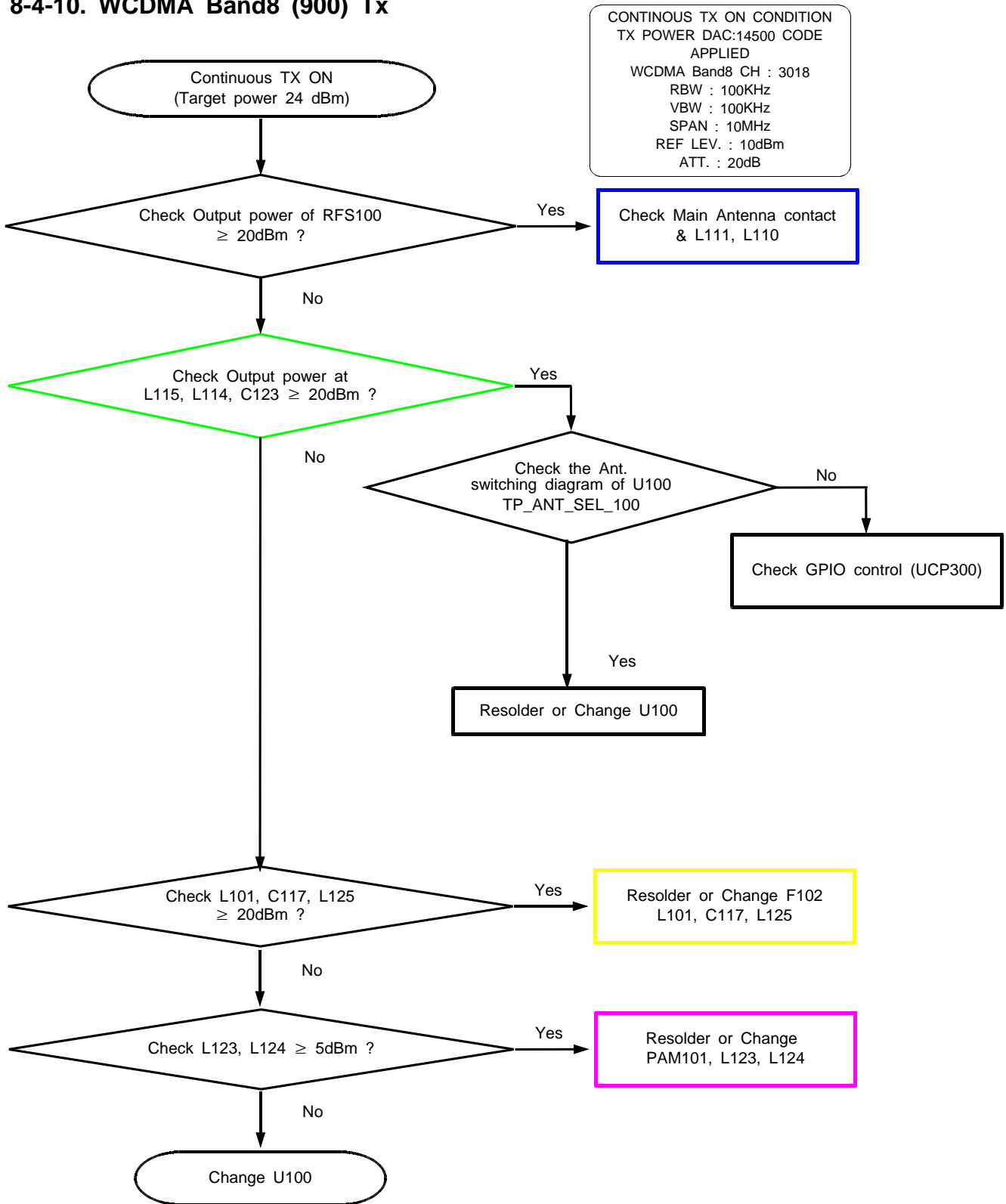


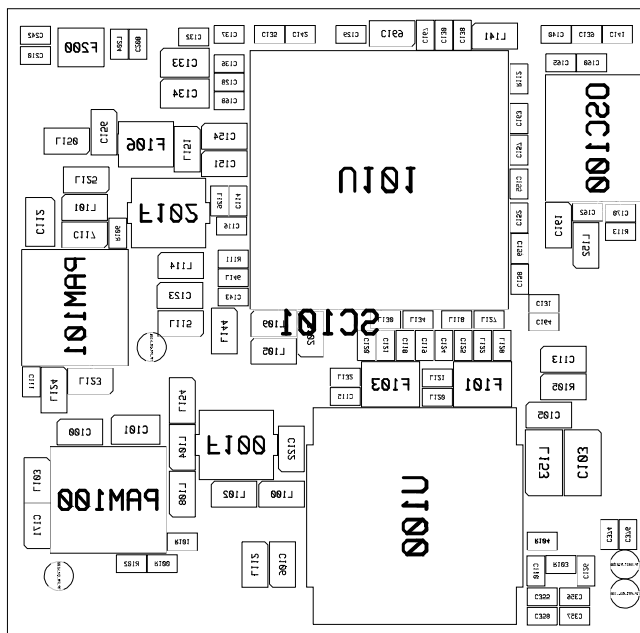
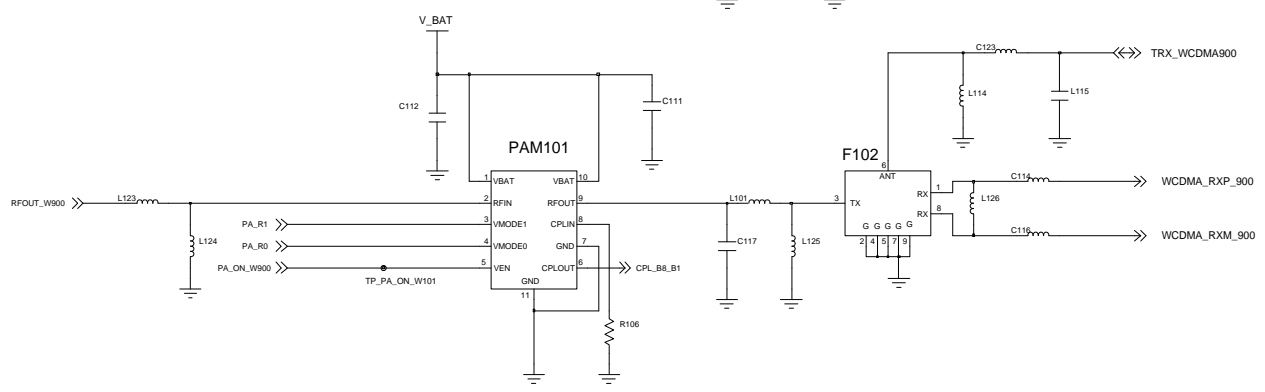
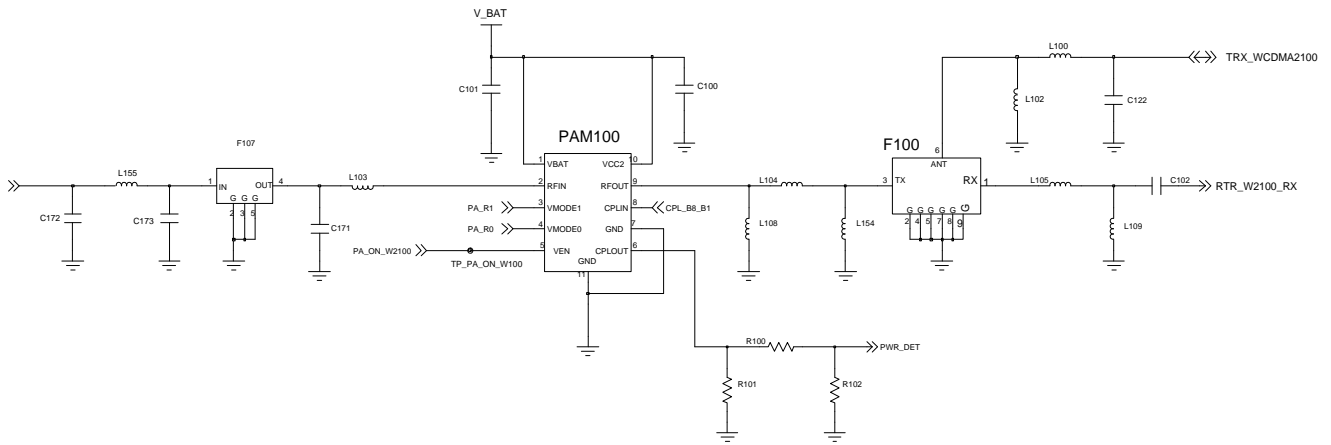


8-4-9. WCDMA Band1 (2100) Tx

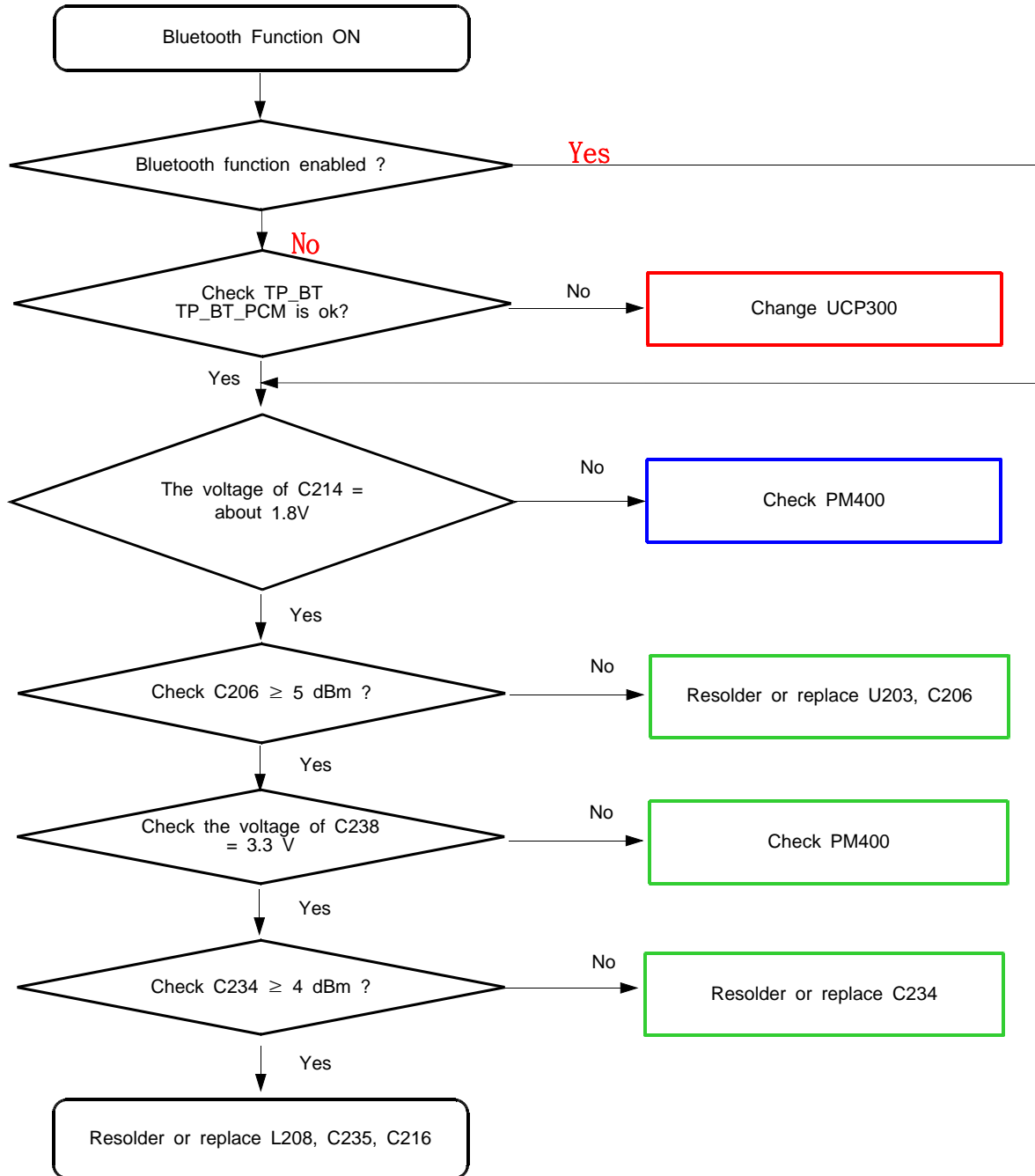


8-4-10. WCDMA Band8 (900) Tx

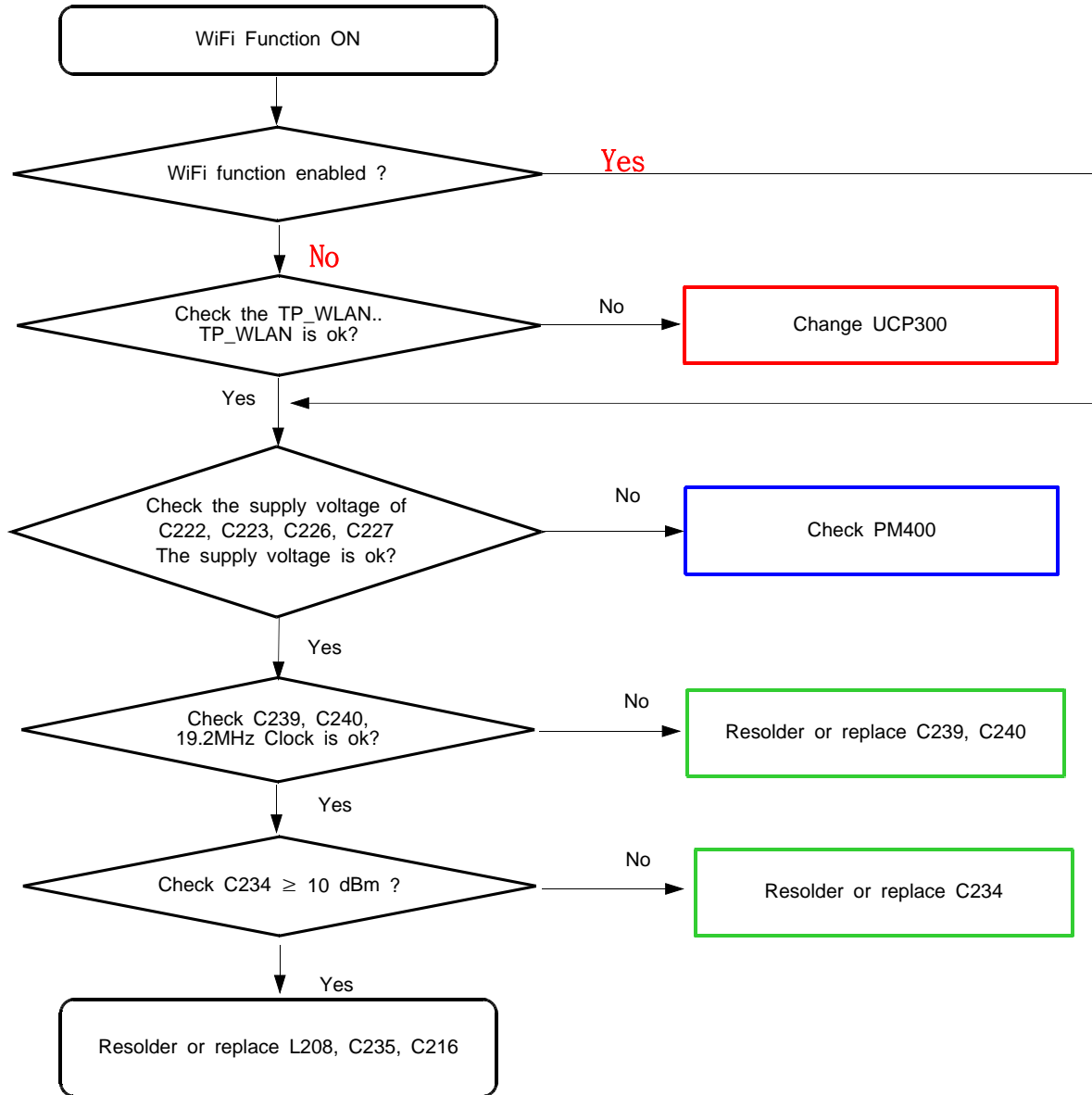




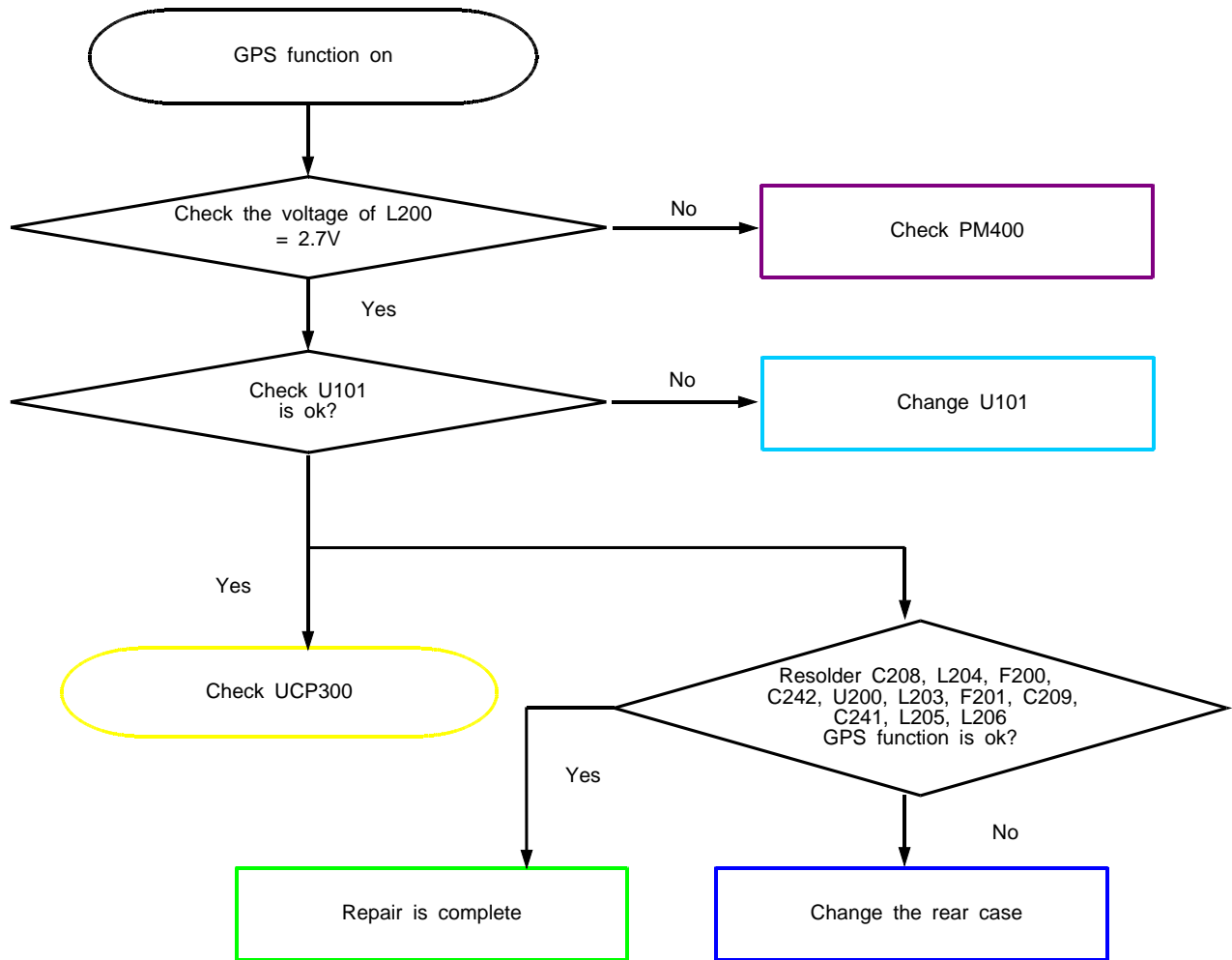
8-4-11. Bluetooth

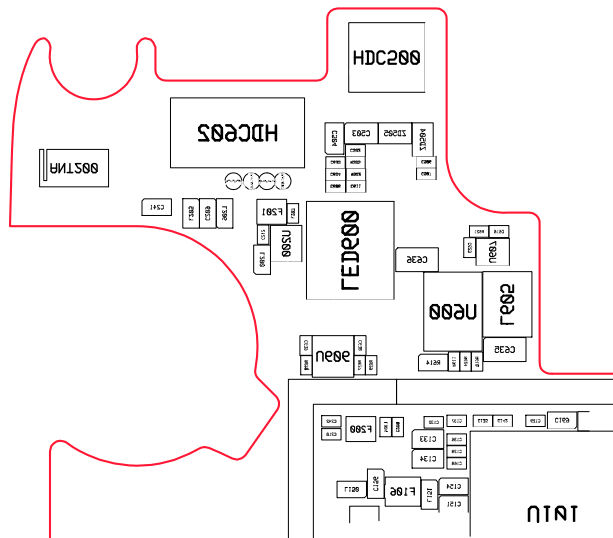
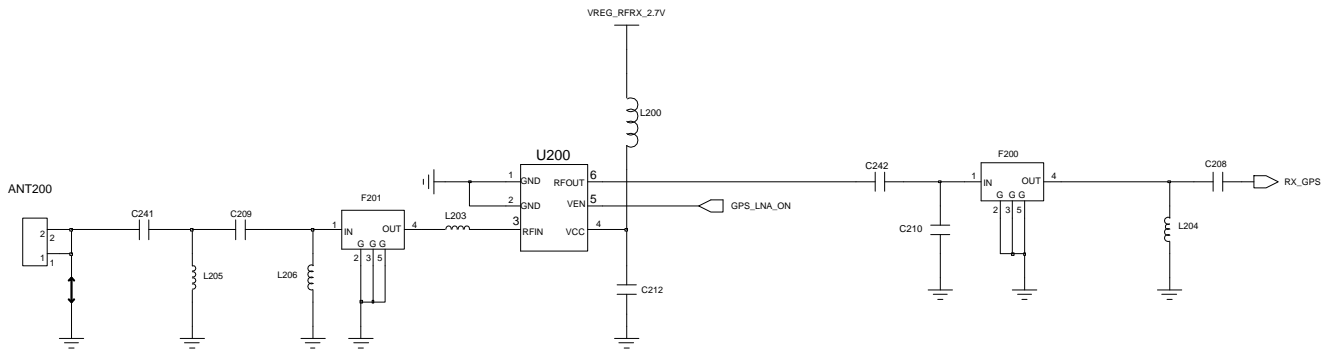


8-4-12. WiFi



8-4-13. GPS

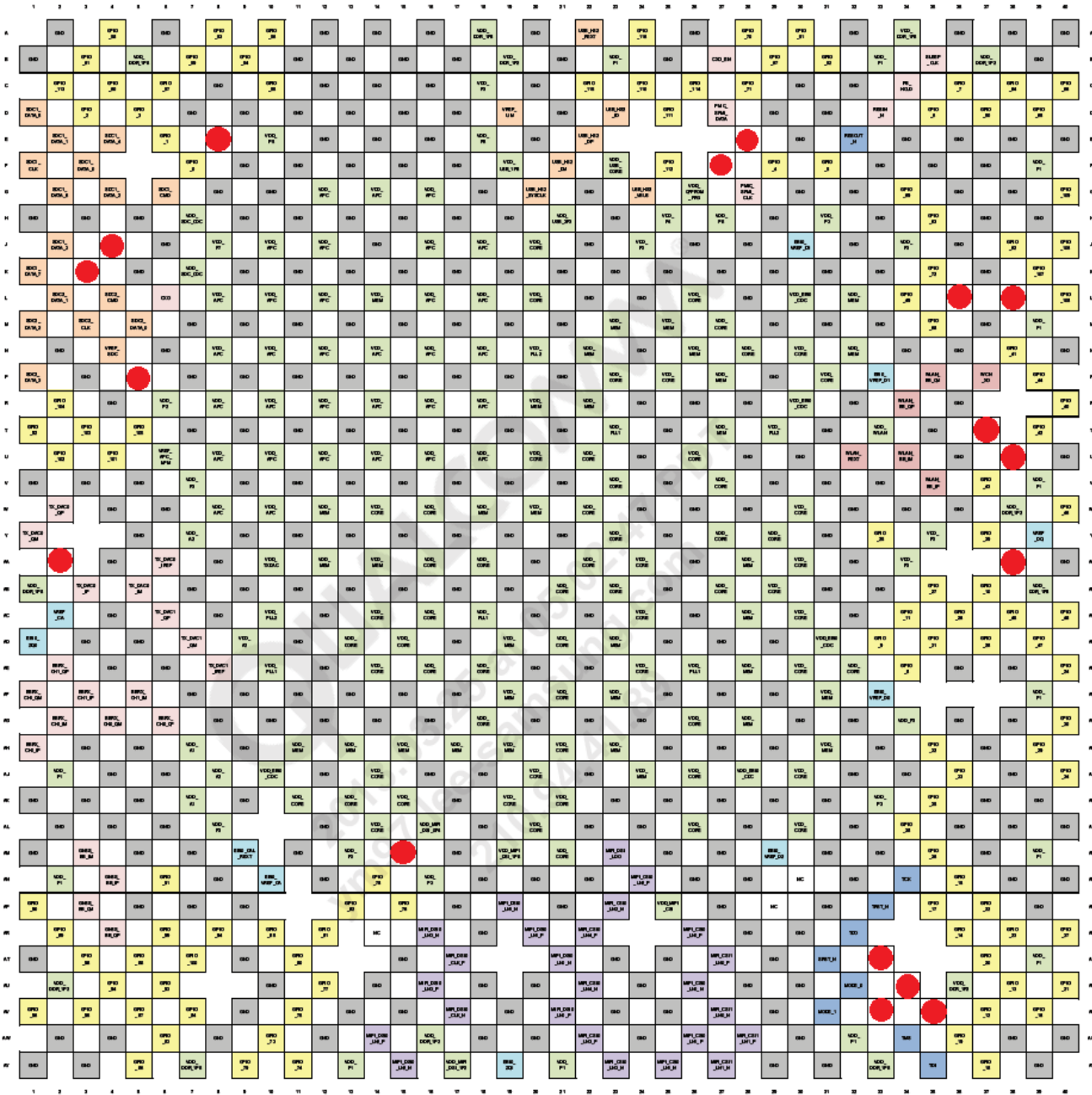




8-5. Service Schematics

- NC Point(Top View)

- UCP300 (● : NC)



- PM400 (● : NC)

1 VDD_ GR2	2 VREG_ L3	3 VREG_ L2	4 VDD_ GR1		5 XTAL_ 19M_IN	6 XTAL_ 19M_OUT		7 VDD_ GR6	8 VSW_ S1	9 VDD_ S1	10 VDD_ S1
11 VDD_ GR2	12 VREG_ L24	13 RF_CLK1	14 VREG_ L13	15 VREG_ L1	16 VREG_ L11	17 GND_ XO	18 VREG_ L17	19 VREG_ L16	20 VREG_ S1	21 VSW_ S1	22 GND_ S1
23 GND_ S3	24 VREG_ L26	25 VREG_ L5	●	27 VDD_ GR4	●	29 VREG_ L19	30 VREG_ L17	31 BB_CLK1	32 VREG_ L18	33 GND_ S1	34 VDD_ S2
35 VSW_ S3	36 VREG_ S3	37 VREG_ L4	38 VREG_ L10	39 RF_CLK2	●	41 VDD_ GR7	42 BB_CLK2	43 VREG_ L15	44 BB_CLK1 EN	45 VSW_ S2	46 VSW_ S2
47 VDD_ S3	48 VDD_ L25	49 VREG_ L14	50 VREG_ L28	51 VREG_ L23	52 VREG_ L22	53 VREG_ L21	●	55 VREG_ L20	56 VREG_ S2	57 GND_ S2	58 VSW_ S2
	59 VDD_ GR5	60 VDD_ GR5	61 VREF_ LPDDR	62 GND_ XO_BUFF	63 GND_ XOADC	64 GND	65 GND_ DRV	66 VIB_ DRV_N	67 GND_ S2	68 GND_ S2	
69 GND_ S4	70 VREG_ L25	71 VREG_ L12	72 AMUX_1	73 AMUX_2	74 GND	75 GND	76 VCOIN	77 PON_ RESET_N	78 GND	79 VDD_ GP	●
81 VSW_ S4	●	●	●	85 CBL_ PWR_N	86 GND	87 GND	88 SLEEP_ CLK1	●	●	●	92 GND
93 VDD_ S4	94 VOUT_ LVS1	95 VREG_ S4	96 BMS_ CSN	97 USB_ ID_IN	98 GND	99 GND	100 PS_HOLD	101 RESIN_ IN	102 KPD_ PWR_N	103 VLED_ FLASH	104 VDD_ FLASH
	105 VREG_ L6	106 VREG_ L6	107 BMS_ CSP	108 OPT_2	109 GND	110 GND_ OVP	111 GND	112 SPMI_ CLK	113 GND_ WLEDI	114 GND_ WLEDI	
115 VDD_ GR3	116 VREG_ L7	117 GND_ REF	118 VREG_ L8	119 OPT_1	120 XO_ THERM	121 AVDD_ BYP	122 GPIO_8	123 SPMI_ DATA	124 GPIO_1	125 WLED_1	126 VDD_ WLED
127 VREG_ L27	128 VREG_ L9	129 REF_ BYP	130 MPP_7	131 BMS_ BYP	132 MPP_5	●	134 GPIO_7	135 GPIO_4	136 GPIO_2	137 OVP_ WLED	138 VSW_ WLED
139 VBAT	140 BATFET_ CP_DRV	141 MPP_8	142 GND_ CHG	143 VCHG	144 MPP_6	●	146 MPP_2	●	148 GPIO_5	149 GPIO_3	150 GND_ WLED
151 VBAT	152 VPH_ PWR	153 GND_ CHG_HP	154 VSW_ CHG	155 VCHG	156 VBAT_ SNS	157 MPP_4	158 MPP_3	159 MPP_1	160 GPIO_6	161 USB_IN	162 OVP_ OUT
163 VBAT	164 VPH_ PWR	165 GND_ CHG_HP	166 VSW_ CHG		167 VDRV_P	168 LED_ CHG		169 VREF_ BAT_THM	170 VPRE_ BYP	171 OVP_CP_ DRV	172 USB_IN