

# M61533FP

## 4ch Electronic Volume with AGC

REJ03F0059-0100Z

Rev.1.0

Sep.19.2003

### Features

Function	Feature
Electric Volume	<ul style="list-style-type: none"> <li>0 to -87dB, <math>-\infty/1\text{dBstep}</math></li> <li>4ch SL/SR/C/SW independent Electric Volume</li> <li>Controlled by trim volume data + master volume data.</li> </ul>
AGC	$V_c=1.8V_{\text{rms}}\langle\text{SWch}\rangle$
LPF	Can be set externally $\langle\text{SWch}\rangle$
Output Gain Control	0, +6, +9, +12dB 4step $\langle\text{SWch}\rangle$
MUC I/F	Controlled by serial data from microcomputer

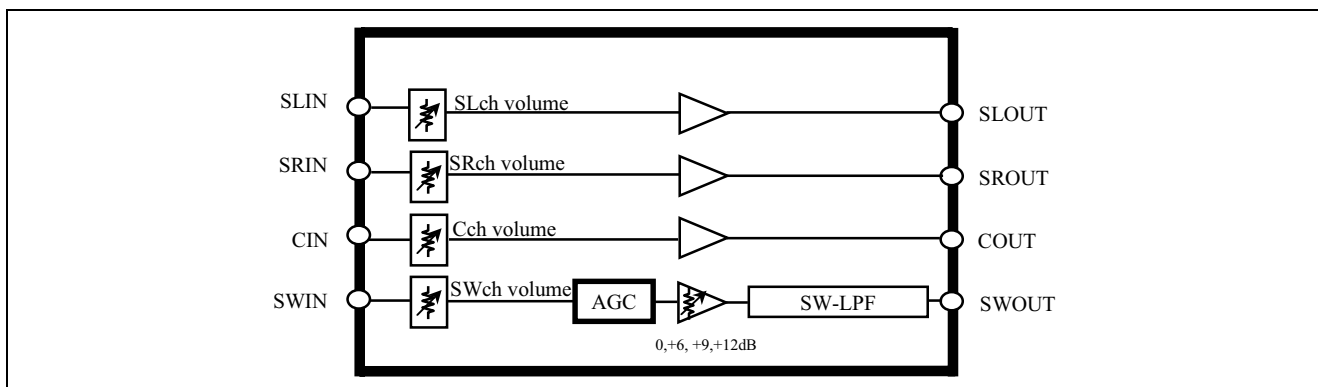
### Application

Mini Stereo etc.

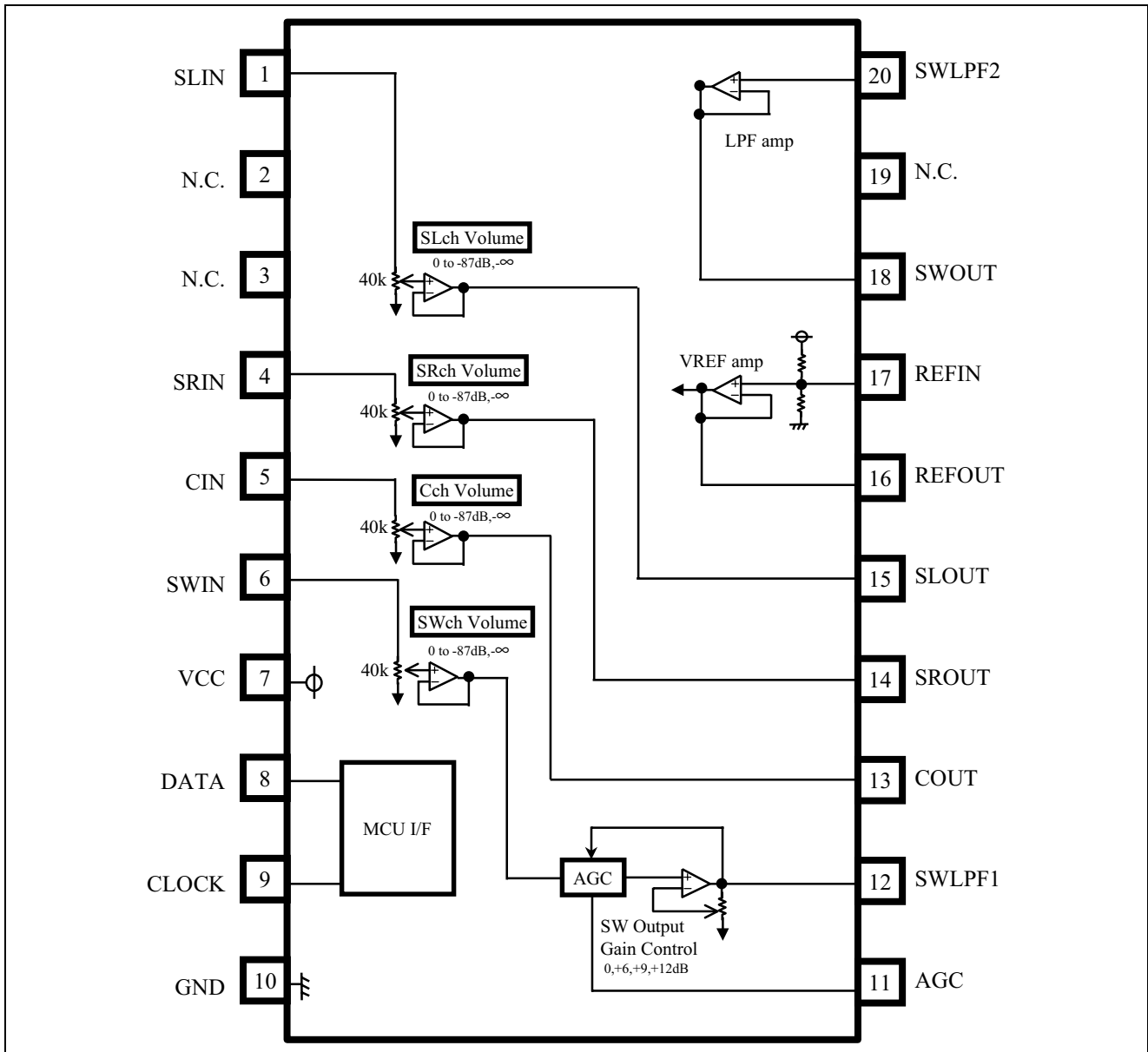
### Recommended Operating Condition

Supply Voltage Range VCC= 8 to 10V Typ:VCC=9V

### System Block Diagram



Block Diagram and Pin Configuration (Top view)



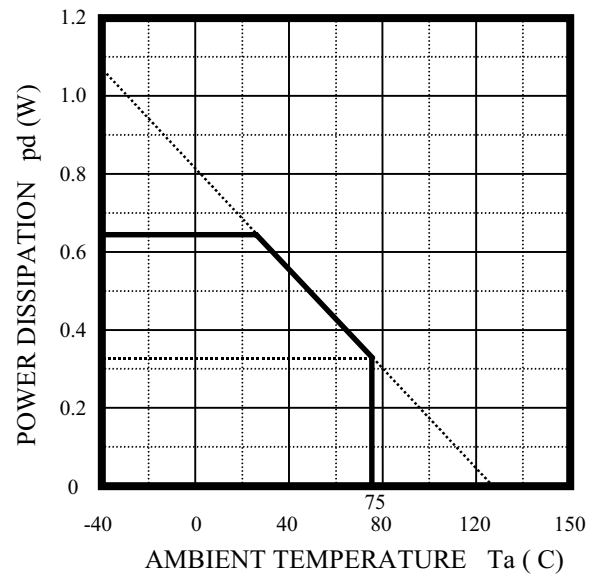
**Pin Description**

<b>Pin No.</b>	<b>Name</b>	<b>Function</b>
1	SLIN	SLch volume input pin
2	N.C.	N.C.
3	N.C.	N.C.
4	SRIN	SRch volume input pin
5	CIN	Cch volume input pin
6	SWIN	SWch volume input pin
7	VCC	Power supply (Typ:9V)
8	DATA	Input pin of Control data
9	CLOCK	Input pin of Control clock
10	GND	Ground
11	AGC	Attack/Recovery time control pin (by capacitor)
12	SWLPF1	SWch LPF (connected with resistance and capacitor)
13	COUT	Cch output pin
14	SROUT	SRch output pin
15	SLOUT	SLch output pin
16	REFOUT	Vref output pin
17	REFIN	Vref input pin
18	SWOUT	SWch output pin
19	N.C.	N.C.
20	SWLPF2	SWch LPF (connected with resistance and capacitor)

**Absolute Maximum Ratings**

<b>Parameter</b>	<b>Symbol</b>	<b>Ratings</b>	<b>Unit</b>	<b>Condition</b>
Power Supply	Vcc	10.5	V	
Power dissipation	Pd	648	mW	Ta ≤ 25°C
Thermal derating	Kθ	6.48	mW/°C	Ta > 25°C
Operating temperature	Topr	-20 to 75	°C	
Storage temperature	Tstg	-40 to 125	°C	

THERMAL DERATINGS  
(MAXIMUM RATING)

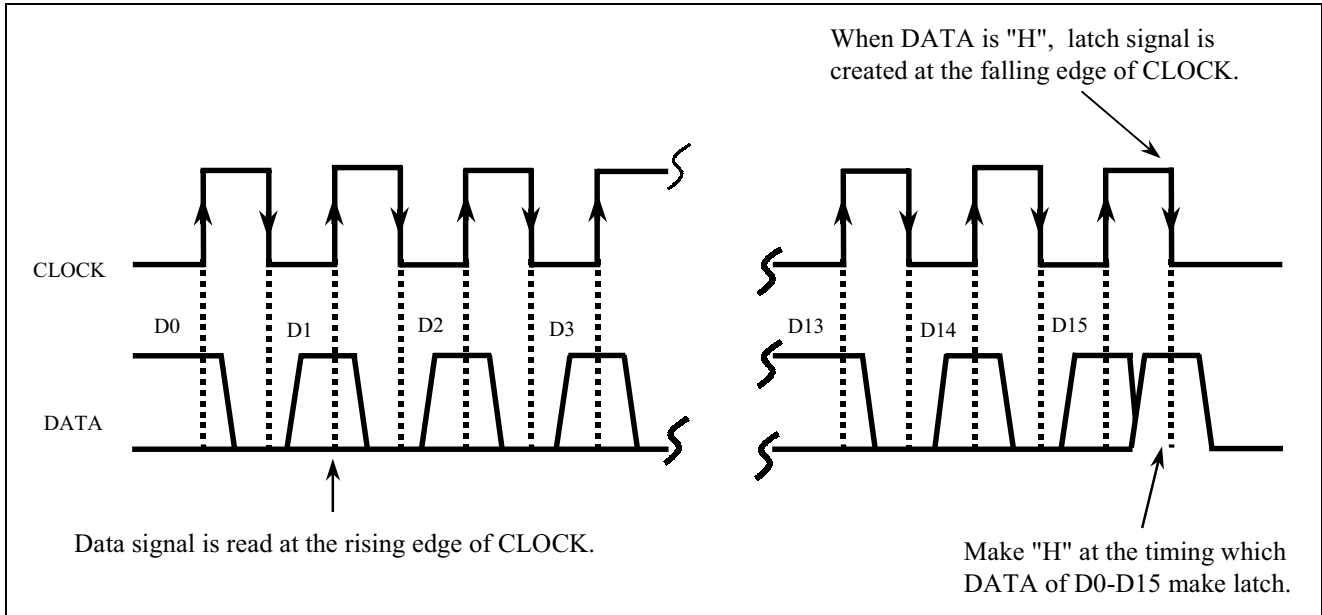


### Recommended Conditions

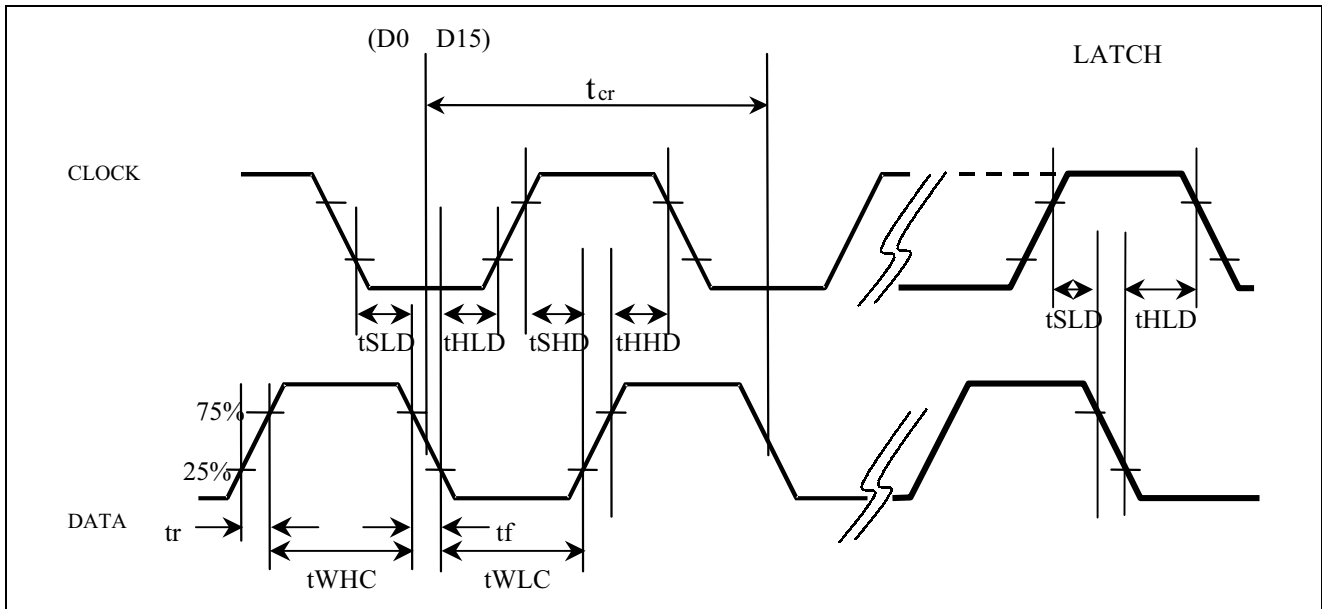
( $T_a=25^\circ\text{C}$ , Unless otherwise noted)

Parameter	Symbol	Limits			Unit	Conditions
		Min.	Typ.	Max.		
Power supply	V <sub>CC</sub>	8	9	10	V	
Logic "H" level input voltage	V <sub>IH</sub>	2.2	—	5.5	V	V <sub>CC</sub> =9V GND reference
Logic "L" level input voltage	V <sub>IL</sub>	0	—	0.6	V	V <sub>CC</sub> =9V GND reference

Relationship Between Data and Clock



Clock and Data Timings



## Timing Definition of Digital Block

Parameter	Symbol	Limits			Unit
		Min.	Typ.	Max.	
CLOCK cycle time	tcr	4	—	—	μs
CLOCK pulse width("H" level)	tWHC	1.6	—	—	
CLOCK pulse width ("L" level)	tWLC	1.6	—	—	
Rising time of clock and data	tr	—	—	0.4	
Falling time of clock and data	tf	—	—	0.4	
DATA setup time (Rising time of clock)	tSHD	0.8	—	—	
DATA setup time (Falling time of clock)	tSLD	0.8	—	—	
DATA hold time("H" level)	tHHD	0.8	—	—	
DATA hold time("L" level)	tHLD	0.8	—	—	

## Data Control Specification

Four types of input format can be selected by changing the D14/D15 slot setting status.

(Initialize all data of the 4 formats when power supply(VCC) turn on.)

Note : No guarantee except for these code.

- (1)
- | D0a                   | D1a | D2a | D3a | D4a                   | D5a | D6a | D7a | D8a | D9a | D10a | D11a | D12a | D13a | D14 | D15 |
|-----------------------|-----|-----|-----|-----------------------|-----|-----|-----|-----|-----|------|------|------|------|-----|-----|
| ②<br>SLch Trim volume |     |     |     | ②<br>SRch Trim volume |     |     |     | 0   | 0   | 0    | 0    | 0    | 1    | 0   | 0   |
- (2)
- | D0b                  | D1b | D2b | D3b | D4b                   | D5b | D6b | D7b | D8b | D9b                                 | D10b | D11b | D12b | D13b | D14 | D15 |
|----------------------|-----|-----|-----|-----------------------|-----|-----|-----|-----|-------------------------------------|------|------|------|------|-----|-----|
| ②<br>Cch Trim volume |     |     |     | ②<br>SWch Trim volume |     |     |     | 1   | ①<br>SWch<br>Output gain<br>control | 0    | 0    | 0    | 0    | 0   | 1   |
- (3)
- | D0c                     | D1c | D2c | D3c | D4c                     | D5c | D6c | D7c | D8c | D9c | D10c | D11c | D12c | D13c | D14 | D15 |
|-------------------------|-----|-----|-----|-------------------------|-----|-----|-----|-----|-----|------|------|------|------|-----|-----|
| ③<br>SLch Master volume |     |     |     | ③<br>SRch Master volume |     |     |     | 0   | 0   | 0    | 0    | 0    | 1    | 0   |     |
- (4)
- | D0d                    | D1d | D2d | D3d | D4d                     | D5d | D6d | D7d | D8d | D9d | D10d | D11d | D12d | D13d | D14 | D15 |
|------------------------|-----|-----|-----|-------------------------|-----|-----|-----|-----|-----|------|------|------|------|-----|-----|
| ③<br>Cch Master volume |     |     |     | ③<br>SWch Master volume |     |     |     | 0   | 0   | 0    | 0    | 0    | 1    | 1   |     |

## Setting Code

It's initial setting when VCC turn on.

## ① SWch Output gain control

	D9b	D10b
0dB	0	0
+6dB	0	1
+9dB	1	0
+12dB	1	1

## ② SL/SR/C/SWch Trim volume

ATT	SLch	D0a	D1a	D2a	D3a
	SRch	D4a	D5a	D6a	D7a
	Cch	D0b	D1b	D2b	D3b
	SWch	D4b	D5b	D6b	D7b
0dB	0	0	0	0	
-1dB	0	0	0	1	
-2dB	0	0	1	0	
-3dB	0	0	1	1	
-4dB	0	1	0	0	
-5dB	0	1	0	1	
-6dB	0	1	1	0	
-7dB	0	1	1	1	
-8dB	1	0	0	0	
-9dB	1	0	0	1	
-10dB	1	0	1	0	
-11dB	1	0	1	1	
-12dB	1	1	0	0	
-13dB	1	1	0	1	
-14dB	1	1	1	0	
-15dB	1	1	1	1	

## ③ SL/SR/C/SWch Master volume

ATT	SLch	D0c	D1c	D2c	D3c	D4c
	SRch	D5c	D6c	D7c	D8c	D9c
	Cch	D0d	D1d	D2d	D3d	D4d
	SWch	D5d	D6d	D7d	D8d	D9d
0dB	0	0	0	0	0	
-2dB	0	0	0	0	1	
-4dB	0	0	0	1	0	
-6dB	0	0	0	1	1	
-8dB	0	0	1	0	0	
-10dB	0	0	1	0	1	
-12dB	0	0	1	1	0	
-14dB	0	0	1	1	1	
-16dB	0	1	0	0	0	
-18dB	0	1	0	0	1	
-20dB	0	1	0	1	0	
-22dB	0	1	0	1	1	
-24dB	0	1	1	0	0	
-26dB	0	1	1	0	1	
-28dB	0	1	1	1	0	
-30dB	0	1	1	1	1	
-32dB	1	0	0	0	0	
-34dB	1	0	0	0	1	
-36dB	1	0	0	1	0	
-38dB	1	0	0	1	1	
-40dB	1	0	1	0	0	
-42dB	1	0	1	0	1	
-44dB	1	0	1	1	0	
-48dB	1	0	1	1	1	
-52dB	1	1	0	0	0	
-56dB	1	1	0	0	1	
-60dB	1	1	0	1	0	
-64dB	1	1	0	1	1	
-68dB	1	1	1	0	0	
-72dB	1	1	1	0	1	
-76dB	1	1	1	1	0	
-∞ dB	1	1	1	1	1	

Note1: Volume ATT controlled by trim volume data + master volume data.

Note2: When trim volume data + master volume data is under -87dB setting, volume ATT keep -87dB.

ex) When trim volume data:-15dB / master volume data -76dB setting, volume ATT keep -87dB.

## Electrical characteristics

Unless otherwise noted, Ta=25°C, Vcc=9V, f=1kHz, Trim/Master Volume=0dB, Output Gain Control=0dB, SWch LPF fc=300Hz

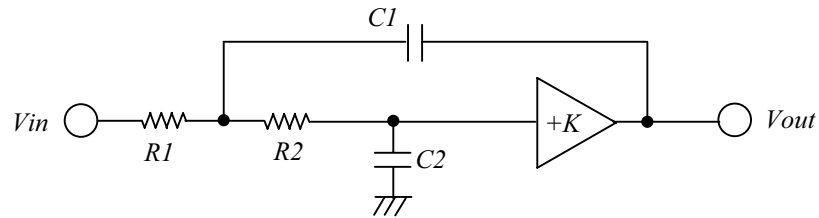
Parameter	Symbol	Limits			Unit	Test conditions	
		Min.	Typ.	Max.			
Power circuit current	IACC	—	15	30	mA	when no signal is provided	
Input/output							
Maximum input voltage	VIM	—	—	2.0*	Vrms	(1,4,5,6)PIN input, (13,14,15,18)PIN output, RL=10kΩ, THD=1%	
Maximum output voltage	VOM1	1.4	1.8	—	Vrms	6PIN input, 18PIN output, RL=10kΩ, THD=5%, f=100Hz	
	VOM2	1.6	2.0	—	Vrms	(1,4,5)PIN input, (13,14,15)output, RL=10kΩ, THD=5%	
Pass gain	GV	-2	0	+2	dB	(1,4,5,6)PIN input, (13,14,15,18) output, Vi=0.5Vrms, FLAT	
Output noise voltage	Vno1	—	1.3	4.0	μVrms	JIS-A, when no signal is provided, (1,4,5)PIN Rg=0 Ω, (13,14,15)PIN output	SL/SR/Cch volume =0dB
		—	1.3	4.0	μVrms		SL/SR/Cch volume =-∞dB
	Vno2	—	8.0	16	μVrms	JIS-A, when no signal is provided, 6PIN Rg=0 Ω, 18PIN output,	SWch volume =0dB
		—	8.0	16	μVrms		SWch volume =-∞dB
Distortion	THD1	—	0.005	0.1	%	(1,4,5)PIN input, (13,14,15)output, BW:400 30kHz, Vo=0.5Vrms, RL=10kΩ	
	THD2	—	0.05	0.2	%	6PIN input, 12PIN output, 30kHz L.P.F, f=100Hz, Output Gain Control =0dB, Vi=0.5Vrms(AGC:off), RL=10kΩ	
	THD3	—	5	—	%	6PIN input, 12PIN output, 30kHz L.P.F, f=100Hz, Output Gain Control =+12dB, Vi=0.7Vrms(AGC:on), RL=10kΩ	
Maximum attenuation	ATT	—	-92	-87	dB	Vo=1Vrms, (12,13,14,15) PIN output, JIS-A, VOL=-∞	
Maximum gain	GVM	+10	+12	+14	dB	6PIN input, 12PIN output, f=100Hz, Vi=0.1Vrms, FLAT, Output Gain Control =+12dB	
Cross talk between channels	CT	—	-70	-55	dB	(1,4,5,6)PIN input, (12,13,14,15)PIN output, Vi=0.5Vrms, JIS-A, RL=47kΩ, Rg=0kΩ	
AGC							
Attack time	TAGCAT	—	40	—	ms	6PIN input, 12PIN output, RL=10kΩ, Output Gain Control =+12dB	
Recovery time	TAGCRE	—	850	—	ms	6PIN input, 12PIN output, RL=10kΩ, Output Gain Control =+12dB	

\* Note : The signal can not be inputted to more than 2Vrms. Keep this limit.



## LPF

## Equivalent circuit of LPF



$$F(s) = \frac{V_{out}}{V_{in}} = \frac{\frac{1}{R_1 R_2 C_1 C_2} K}{s^2 + \left[ \frac{1}{R_1 C_1} + \frac{1}{R_2 C_1} + (1-K) \frac{1}{R_2 C_2} \right] s + \frac{1}{R_1 R_2 C_1 C_2}}$$

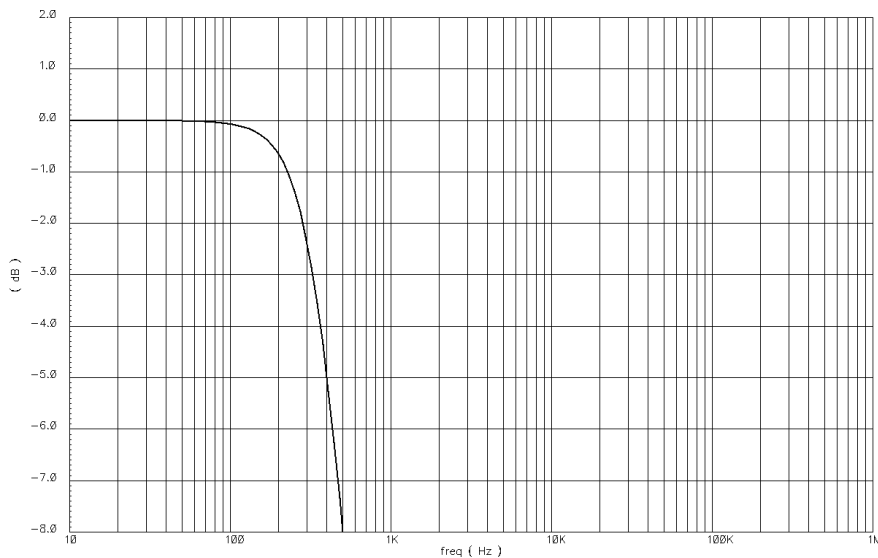
$$\omega_0 = \sqrt{\frac{1}{R_1 R_2 C_1 C_2}} \quad Q = \frac{1}{\sqrt{\frac{R_2 C_2}{R_1 C_1}} + \sqrt{\frac{R_1 C_2}{R_2 C_1}} + (1-K) \sqrt{\frac{R_1 C_1}{R_2 C_2}}}$$

## Frequency characteristics (SWch LPF)

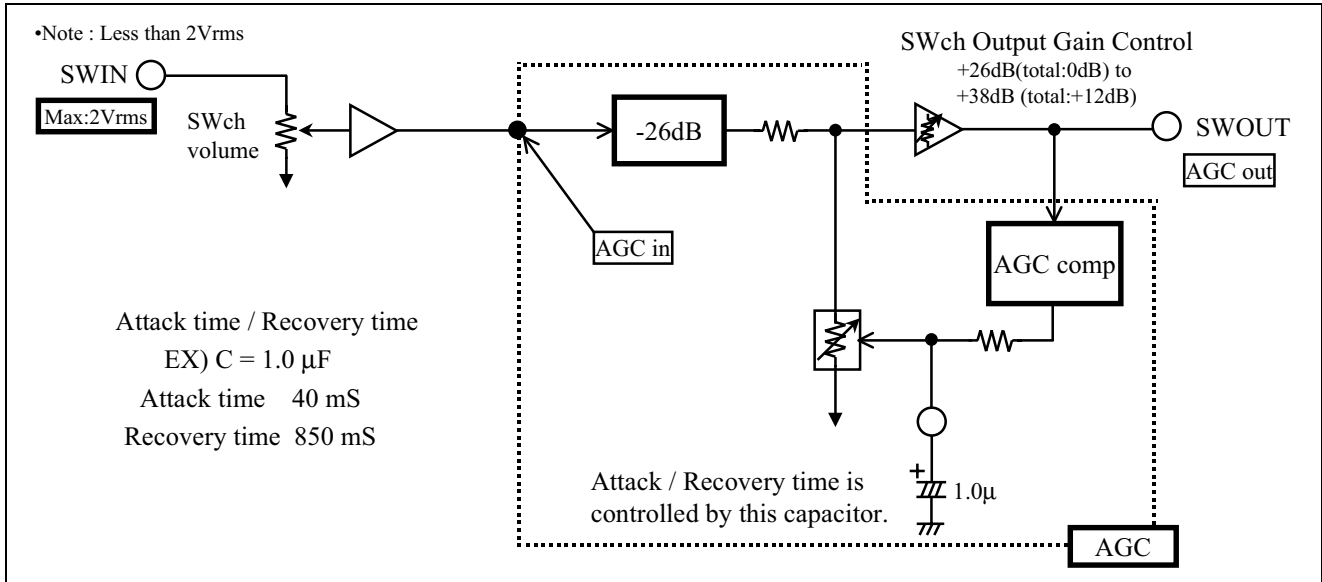
$R_1=2.2\text{k}\Omega$ ,  $R_2=4.7\text{k}\Omega$ ,  $C_1=0.22\mu\text{F}$ ,  $C_2=0.1\mu\text{F}$ ,  $K=1$

$Q \approx 0.68$ ,  $f_c \approx 300\text{Hz}$

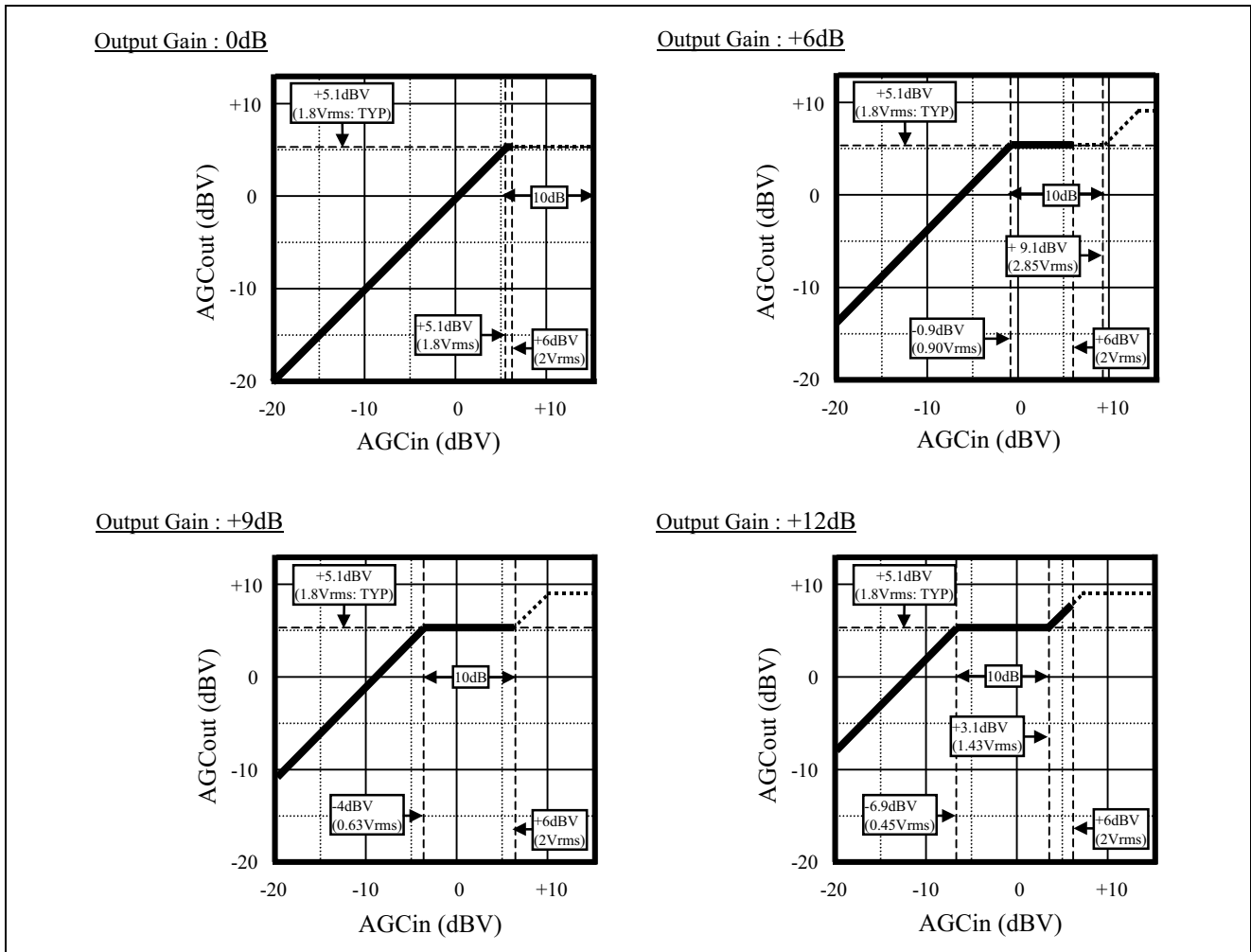
\*This frequency response is a simulation result.



AGC

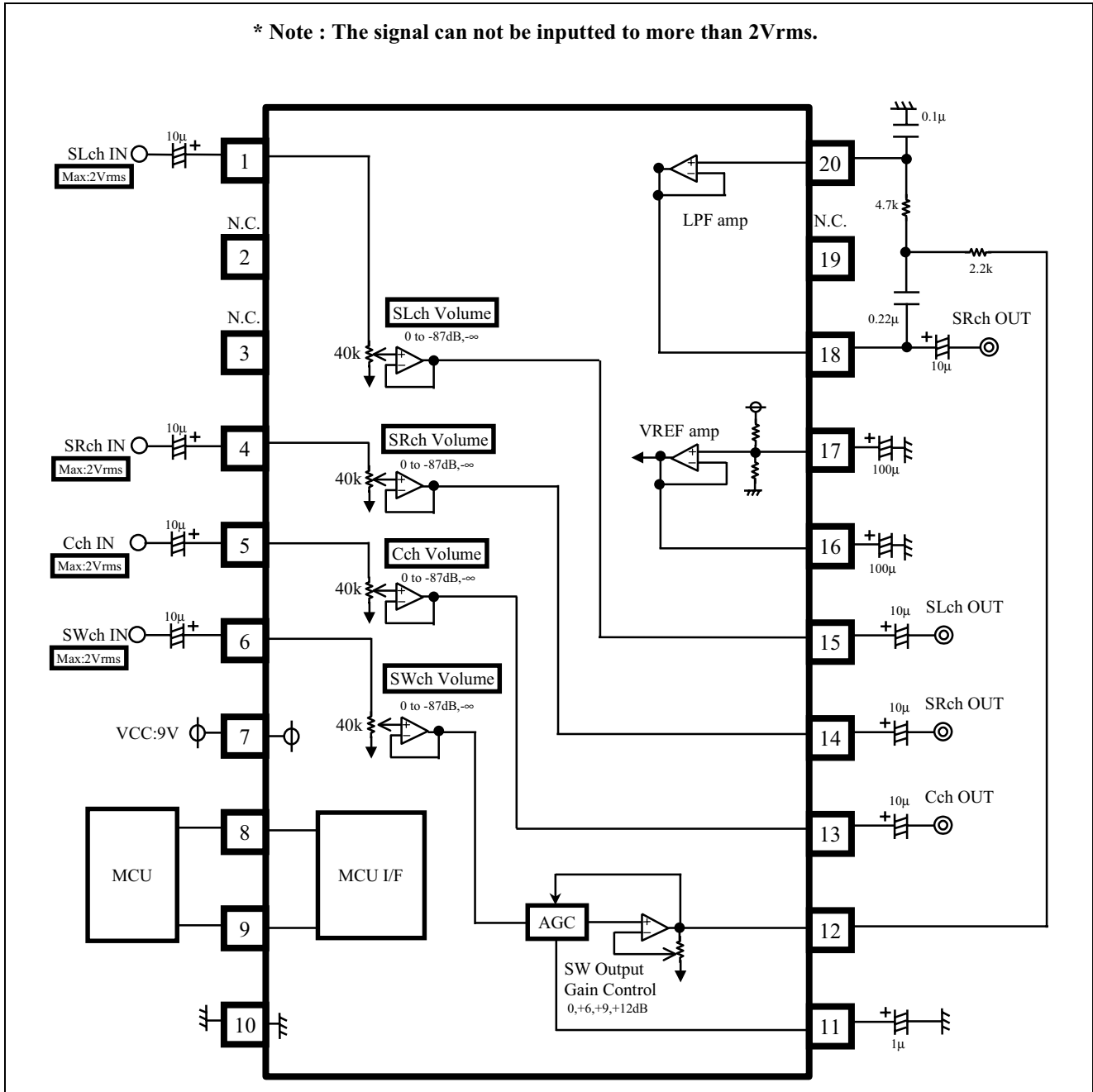


AGC characteristics



Application Example

\* Note : The signal can not be inputted to more than 2Vrms.

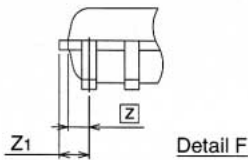
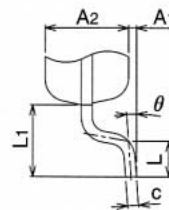
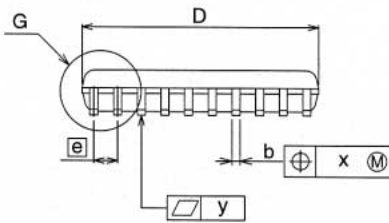
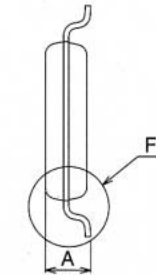
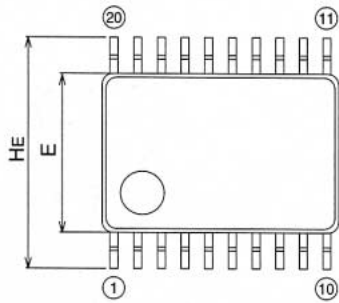


Package Dimensions

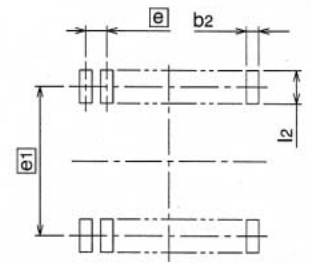
**20P2F-A** (MMP)

Plastic 20pin 255mil SSOP

EIAJ Package Code	JEDEC Code	Weight(g)	Lead Material
SSOP20-P-255-0.65	-	-	Cu Alloy



Detail F



Recommended Mount Pad

Symbol	Dimension in Millimeters		
	Min	Nom	Max
A	-	-	1.45
A1	0	0.1	0.2
A2	-	1.15	-
b	0.17	0.22	0.32
c	0.13	0.15	0.2
D	6.4	6.5	6.6
E	4.3	4.4	4.5
e	-	0.65	-
HE	6.2	6.4	6.6
L	0.3	0.5	0.7
L1	-	1.0	-
z	-	0.325	-
Z1	-	-	0.475
x	-	-	0.13
y	-	-	0.1
theta	0°	-	10°
b2	-	0.35	-
e1	-	5.8	-
l2	1.0	-	-

## RENESAS Technology Corp. Sales Strategic Planning Div. Nippon Bldg., 2-6-2, Ohte-machi, Chiyoda-ku, Tokyo 100-0004, Japan

---

Keep safety first in your circuit designs!

1. Renesas Technology Corp. puts the maximum effort into making semiconductor products better and more reliable, but there is always the possibility that trouble may occur with them. Trouble with semiconductors may lead to personal injury, fire or property damage.  
Remember to give due consideration to safety when making your circuit designs, with appropriate measures such as (i) placement of substitutive, auxiliary circuits, (ii) use of nonflammable material or (iii) prevention against any malfunction or mishap.

Notes regarding these materials

1. These materials are intended as a reference to assist our customers in the selection of the Renesas Technology Corp. product best suited to the customer's application; they do not convey any license under any intellectual property rights, or any other rights, belonging to Renesas Technology Corp. or a third party.
  2. Renesas Technology Corp. assumes no responsibility for any damage, or infringement of any third-party's rights, originating in the use of any product data, diagrams, charts, programs, algorithms, or circuit application examples contained in these materials.
  3. All information contained in these materials, including product data, diagrams, charts, programs and algorithms represents information on products at the time of publication of these materials, and are subject to change by Renesas Technology Corp. without notice due to product improvements or other reasons. It is therefore recommended that customers contact Renesas Technology Corp. or an authorized Renesas Technology Corp. product distributor for the latest product information before purchasing a product listed herein.  
The information described here may contain technical inaccuracies or typographical errors.  
Renesas Technology Corp. assumes no responsibility for any damage, liability, or other loss rising from these inaccuracies or errors.  
Please also pay attention to information published by Renesas Technology Corp. by various means, including the Renesas Technology Corp. Semiconductor home page (<http://www.renesas.com>).
  4. When using any or all of the information contained in these materials, including product data, diagrams, charts, programs, and algorithms, please be sure to evaluate all information as a total system before making a final decision on the applicability of the information and products. Renesas Technology Corp. assumes no responsibility for any damage, liability or other loss resulting from the information contained herein.
  5. Renesas Technology Corp. semiconductors are not designed or manufactured for use in a device or system that is used under circumstances in which human life is potentially at stake. Please contact Renesas Technology Corp. or an authorized Renesas Technology Corp. product distributor when considering the use of a product contained herein for any specific purposes, such as apparatus or systems for transportation, vehicular, medical, aerospace, nuclear, or undersea repeater use.
  6. The prior written approval of Renesas Technology Corp. is necessary to reprint or reproduce in whole or in part these materials.
  7. If these products or technologies are subject to the Japanese export control restrictions, they must be exported under a license from the Japanese government and cannot be imported into a country other than the approved destination.  
Any diversion or reexport contrary to the export control laws and regulations of Japan and/or the country of destination is prohibited.
  8. Please contact Renesas Technology Corp. for further details on these materials or the products contained therein.
- 



### RENESAS SALES OFFICES

<http://www.renesas.com>

**Renesas Technology America, Inc.**  
450 Holger Way, San Jose, CA 95134-1368, U.S.A  
Tel: <1> (408) 382-7500 Fax: <1> (408) 382-7501

**Renesas Technology Europe Limited.**  
Dukes Meadow, Millboard Road, Bourne End, Buckinghamshire, SL8 5FH, United Kingdom  
Tel: <44> (1628) 585 100, Fax: <44> (1628) 585 900

**Renesas Technology Europe GmbH**  
Dornacher Str. 3, D-85622 Feldkirchen, Germany  
Tel: <49> (89) 380 70 0, Fax: <49> (89) 929 30 11

**Renesas Technology Hong Kong Ltd.**  
7/F., North Tower, World Finance Centre, Harbour City, Canton Road, Hong Kong  
Tel: <852> 2265-6688, Fax: <852> 2375-6836

**Renesas Technology Taiwan Co., Ltd.**  
FL 10, #99, Fu-Hsing N. Rd., Taipei, Taiwan  
Tel: <886> (2) 2715-2888, Fax: <886> (2) 2713-2999

**Renesas Technology (Shanghai) Co., Ltd.**  
26/F., Ruijin Building, No.205 Maoming Road (S), Shanghai 200020, China  
Tel: <86> (21) 6472-1001, Fax: <86> (21) 6415-2952

**Renesas Technology Singapore Pte. Ltd.**  
1, Harbour Front Avenue, #06-10, Keppel Bay Tower, Singapore 098632  
Tel: <65> 6213-0200, Fax: <65> 6278-8001