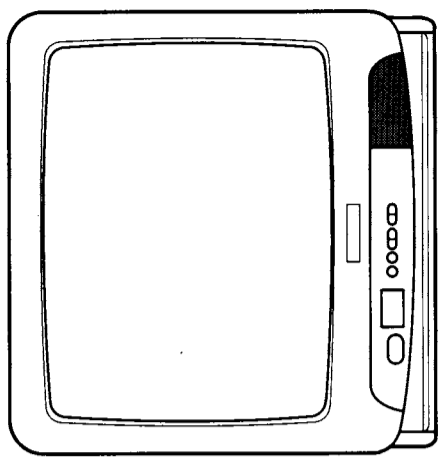


Goldstar COLOUR TV SERVICE MANUAL

CAUTION
BEFORE SERVICING THE CHASSIS, READ THE "SAFETY
PRECAUTIONS" IN THIS MANUAL.

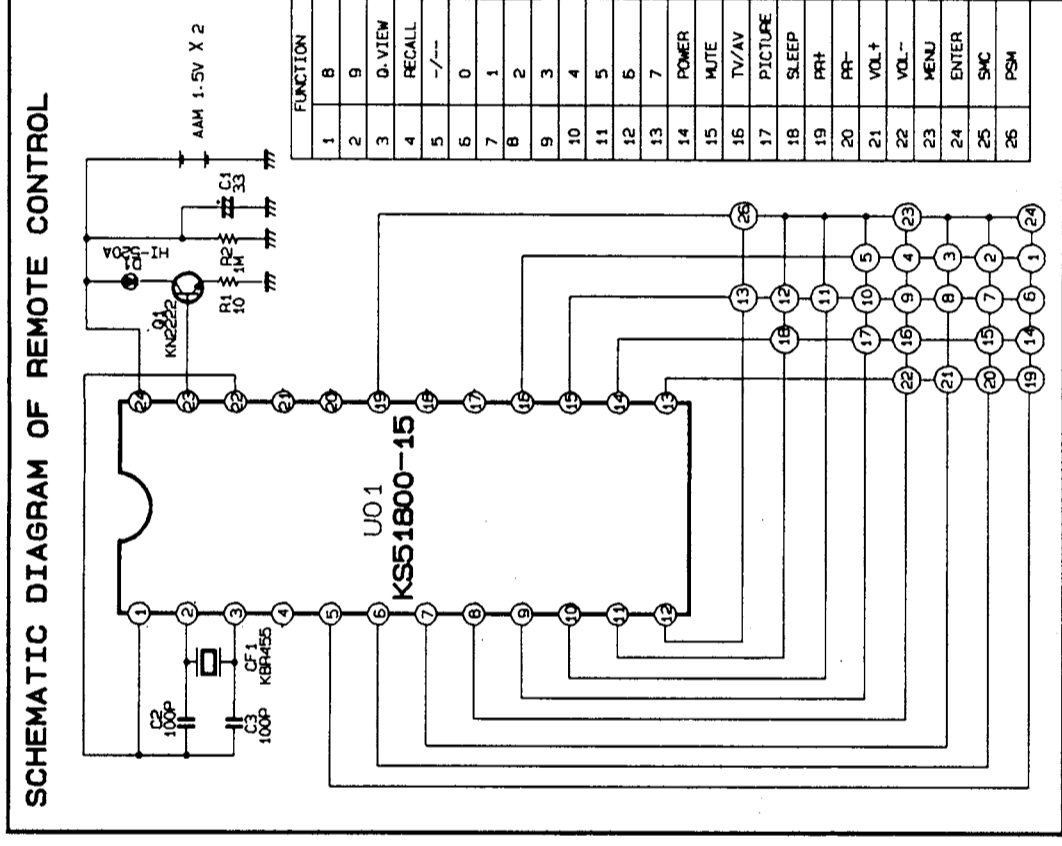
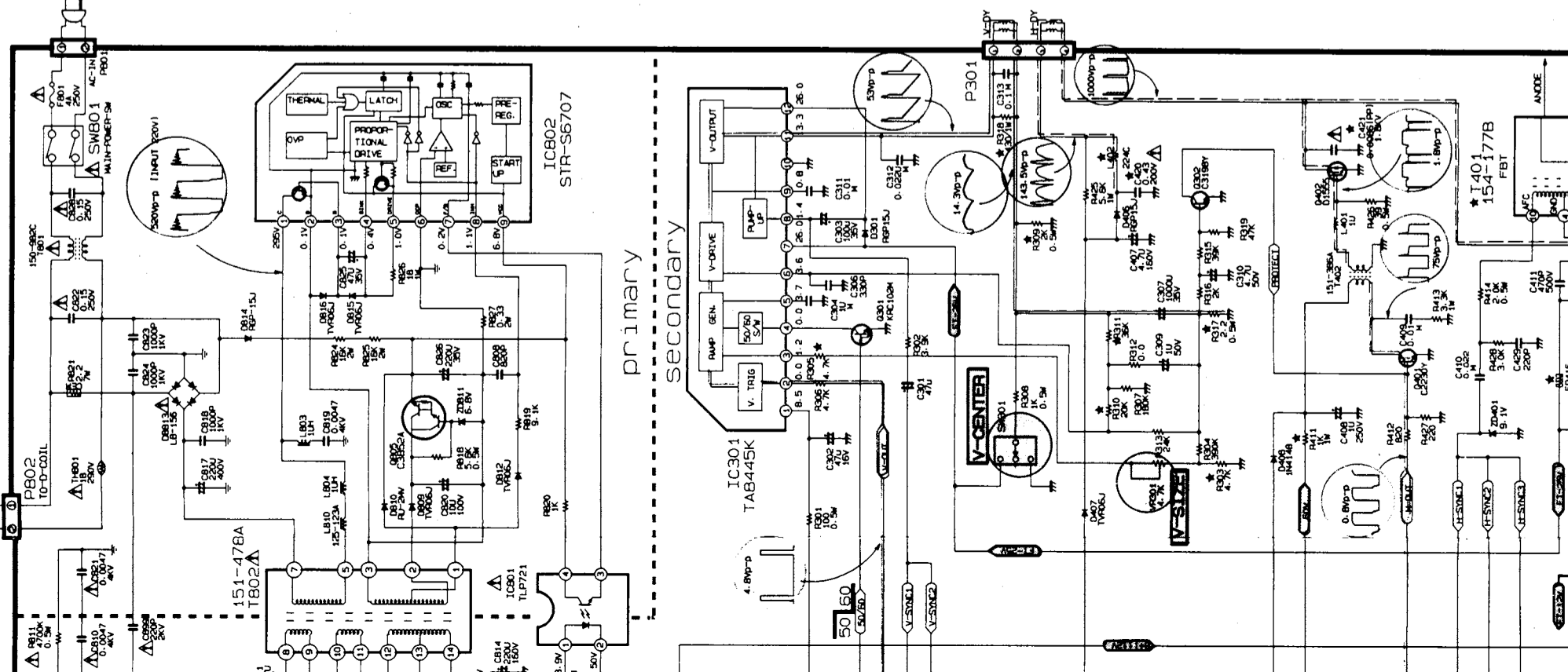


CHASSIS : MC-41A

**MODEL : CF-14A80Y
CF-20A80Y
CF-21A80Y**



Goldstar



★ TABLE OF INCH CONVERSION

CIRCUIT NO	INCH		REMARK
	14: SNN	20'	
C420	0.47	0.43	MPP CAPACITOR 200V
C421	622	862	MPP CAPACITOR 1.6KV
C609	0.47U	2.2U	CE CAPACITOR 50V
FR415	1.2	1.2	FUSI. RESISTOR 1W
FR420	3	1.8	FUSI. RESISTOR 2W
L402	150-2240	150-224C	LINEARITY COIL
P901	381-100C	381-226D	CPT SOCKET
PCB	111-M01B	111-M01A	MAIN PCB
R14	4.7K	5.6K	RD RESISTOR 1/6W
R303	4.7K	4.7K	RD RESISTOR 1/6W
R305	4.7K	4.7K	RD RESISTOR 1/6W
R309	-	2K	RD RESISTOR 0.5W
R310	20K	20K	RD RESISTOR 1/6W
R318	430	430	RS RESISTOR 1.0W
R411	1.0K	1.0K	RS RESISTOR 1W
R422	100K	91K	RD RESISTOR 0.5W
R423	100K	75K	RD RESISTOR 0.5W
R562	1.2K	2.4K	RD RESISTOR 1/6W
R814	12K	12K	RD RESISTOR 1/6W
R816	690	910	RD RESISTOR 1/6W
R901	10K	12K	RS RESISTOR 2W
R908	10K	12K	RS RESISTOR 2W
R909	10K	12K	RS RESISTOR 2W
T401	154-064P	154-177B 154-194D	FBT

★★ TABLE OF TUNER CONVERSION

CIRCUIT NO	TUNER (T181)			REMARK
	113-1188	113-207D	113-105K	
C216	10000P	10000P	0.1U	CN CAPACITOR 16V
C617	0.0027	0.0027	0.0047	CO CAPACITOR 100V
/L103	-	-	15P	CC CAPACITOR 50V
L104	150-167R	-	-	COIL PEAKING
R115	15	68	15	RD RESISTOR 1/6W
R118	27	27	18	RD RESISTOR 1/6W
R216	4.3K	4.3K	3.0K	RD RESISTOR 1/6W
R230	150	330	150	RD RESISTOR 1/6W
R560	1.8K	1.8K	680	RD RESISTOR 1/6W

NOTICE

Since this is a basic schematic diagram, the value of components and some partial connection are subject to change for improvement without notice.

The components marked Δ conform VDE or IEC guidelines and essential for safe operation of the TV receiver. While those marked Δ are required for correct operation. Use specified parts only when replacing.

VALUE OF RESISTER, CAPACITOR AND INDUCTOR

1. Resistance is shown in ohm, K=1,000 M=1,000,000.
2. Unless otherwise noted in schematic, all capacitor values less than 1 are expressed in mfd and the values more than 1 in pF.
3. Unless otherwise noted in schematic, all inductor values less than 1 are expressed in uH, and the values more than 1 in H.

Ref) 'M' in capacitor value means Mylar capacitor.

Service Sheet of MC-41A cha

LOCAL KEY FUNCTION

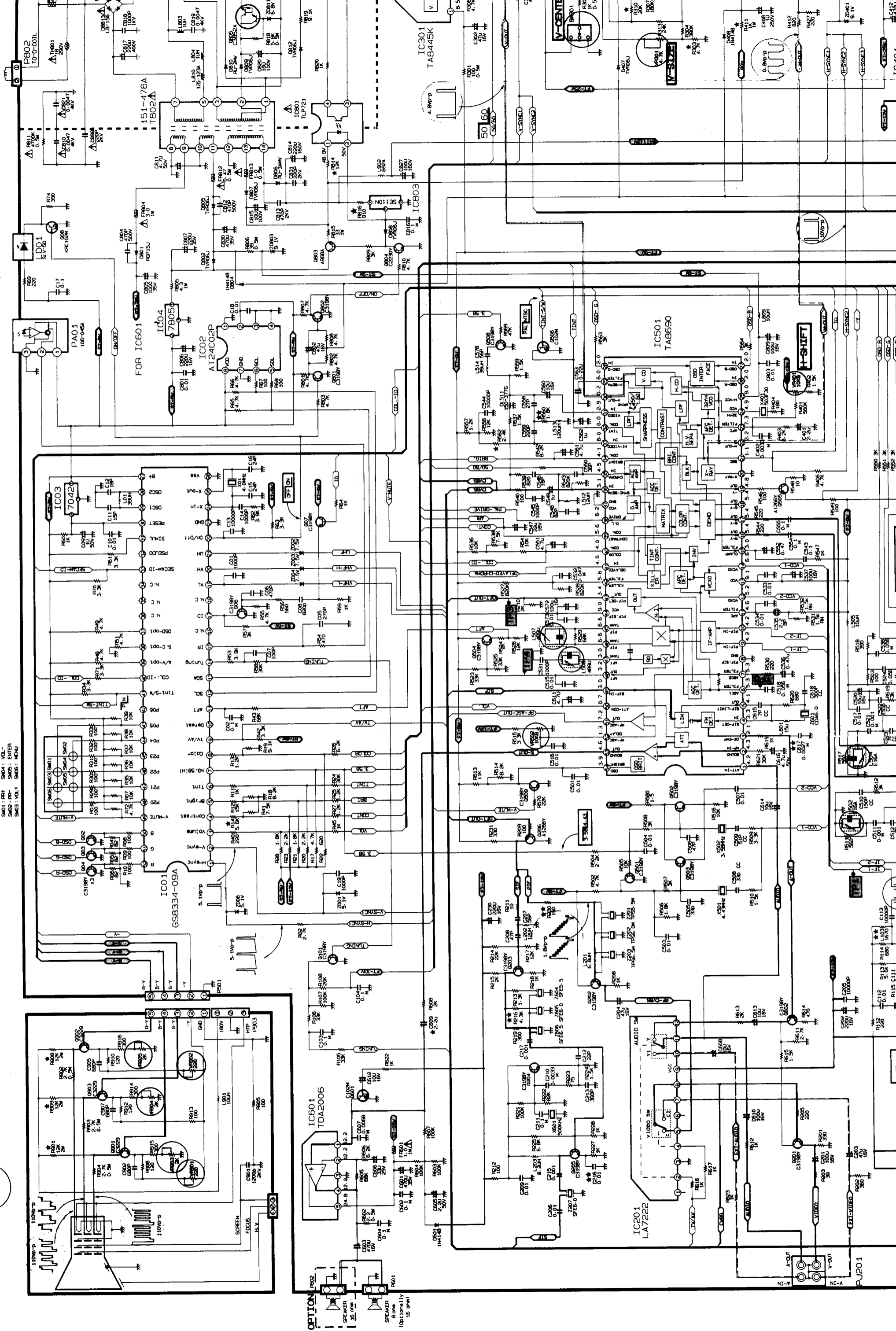
SM01: RHY
SM02: RHY
SM03: VOL.
SM04: VOL.
SM05: ENTER
SM06: VOL.
SM07: RHY

WAVEFORM

POWER

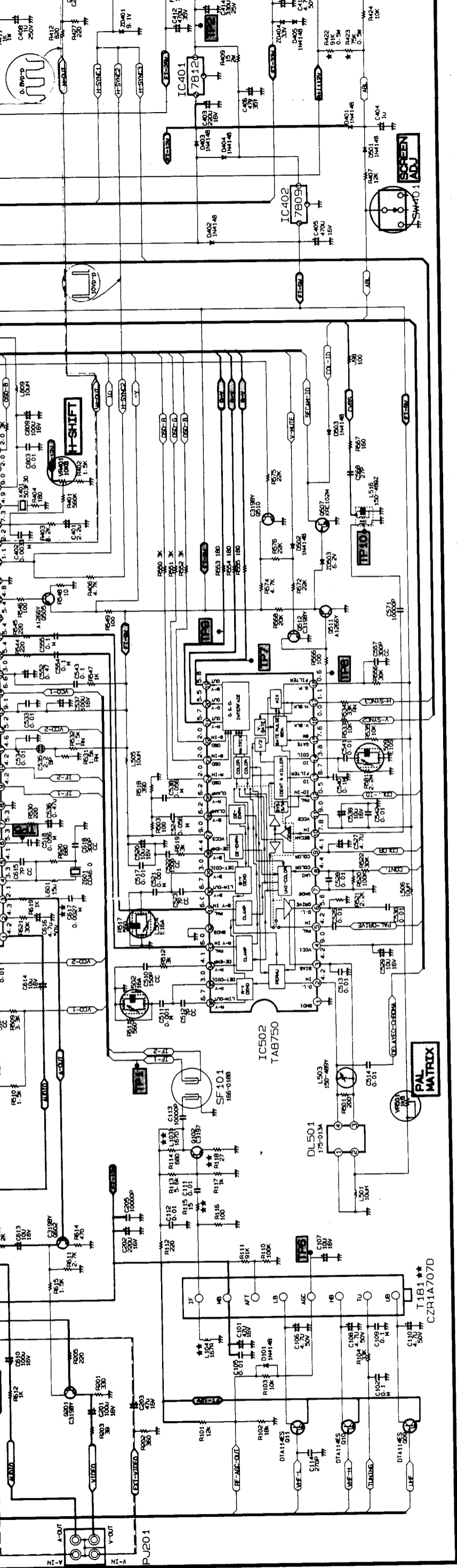
ADJUSTMENT

TEST POINT

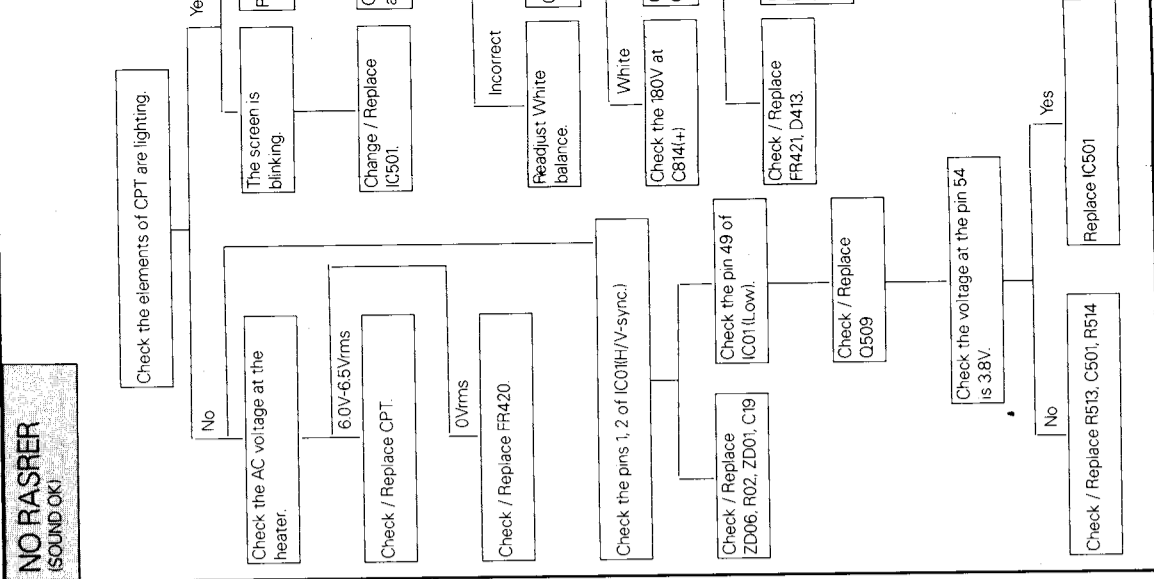
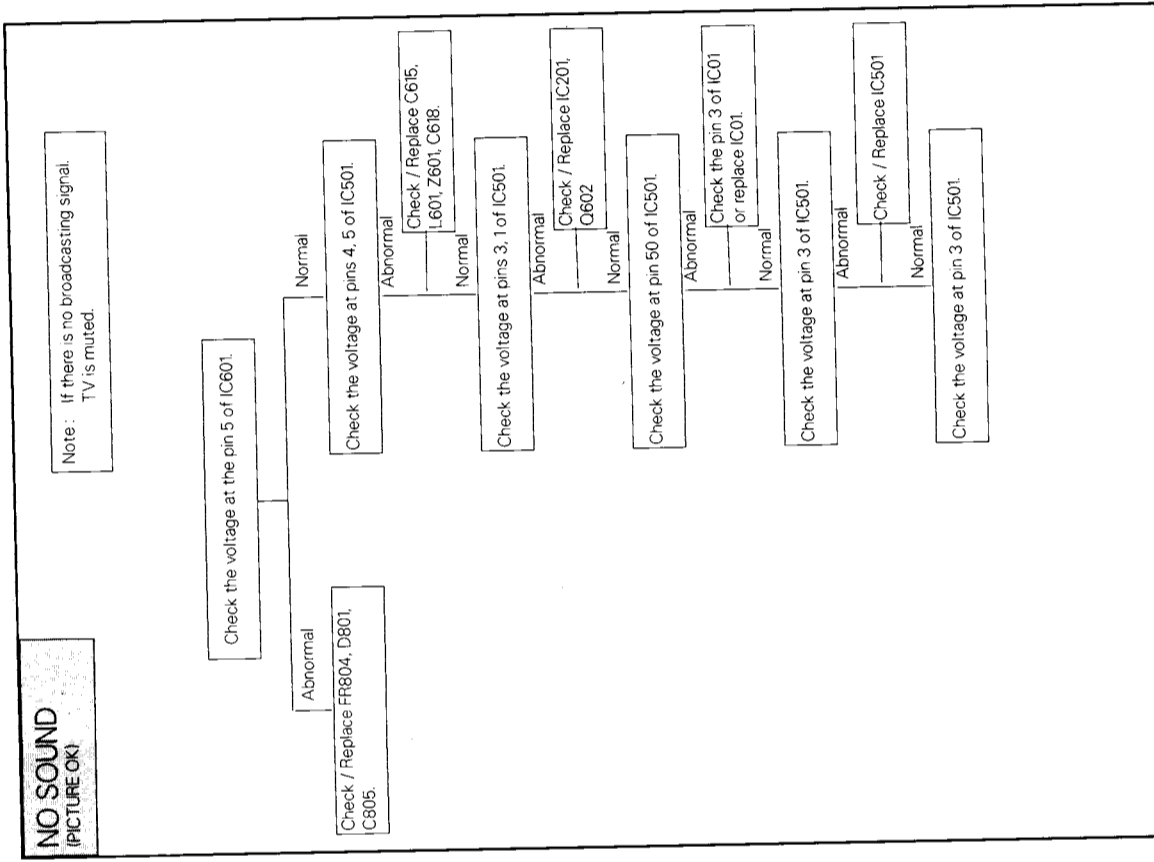
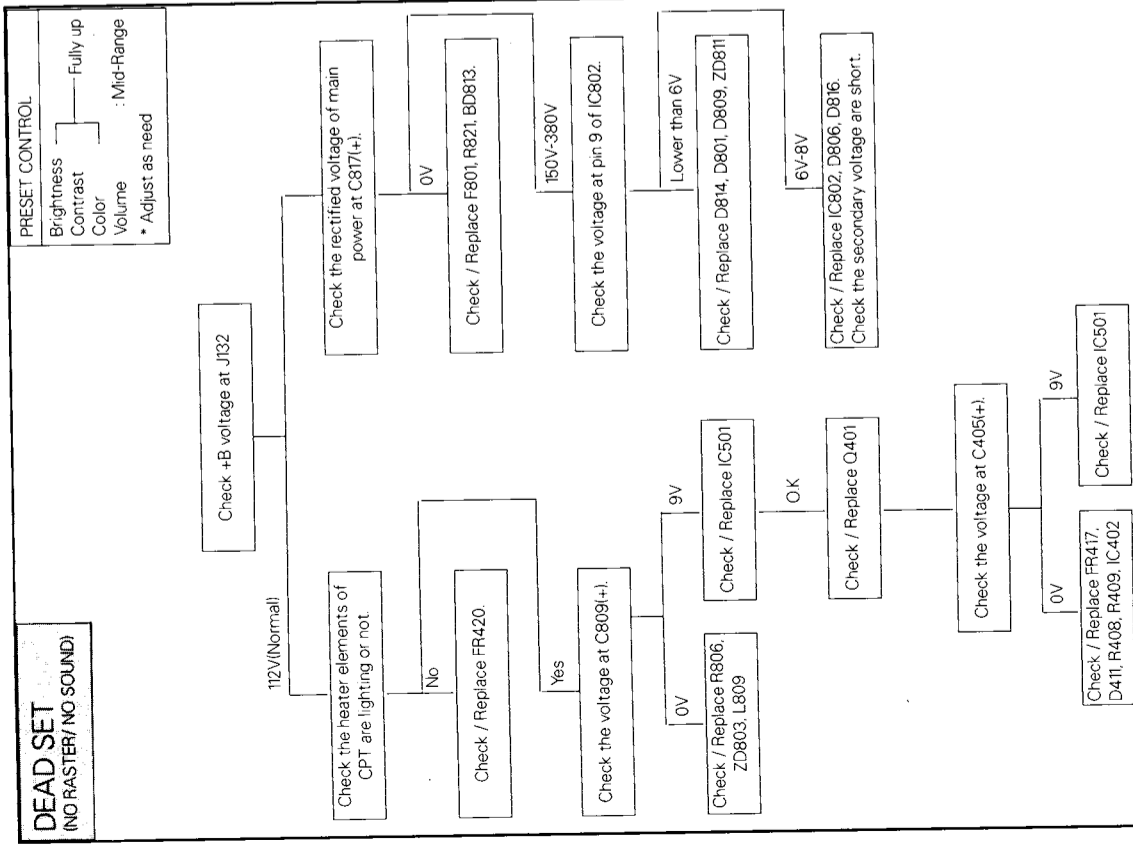


OPTION
SPEAKER
15 ohm
SPEAKER
8 ohm
(Optionally 15 ohm)

PJ201



TROUBLESHOOTING GUIDE



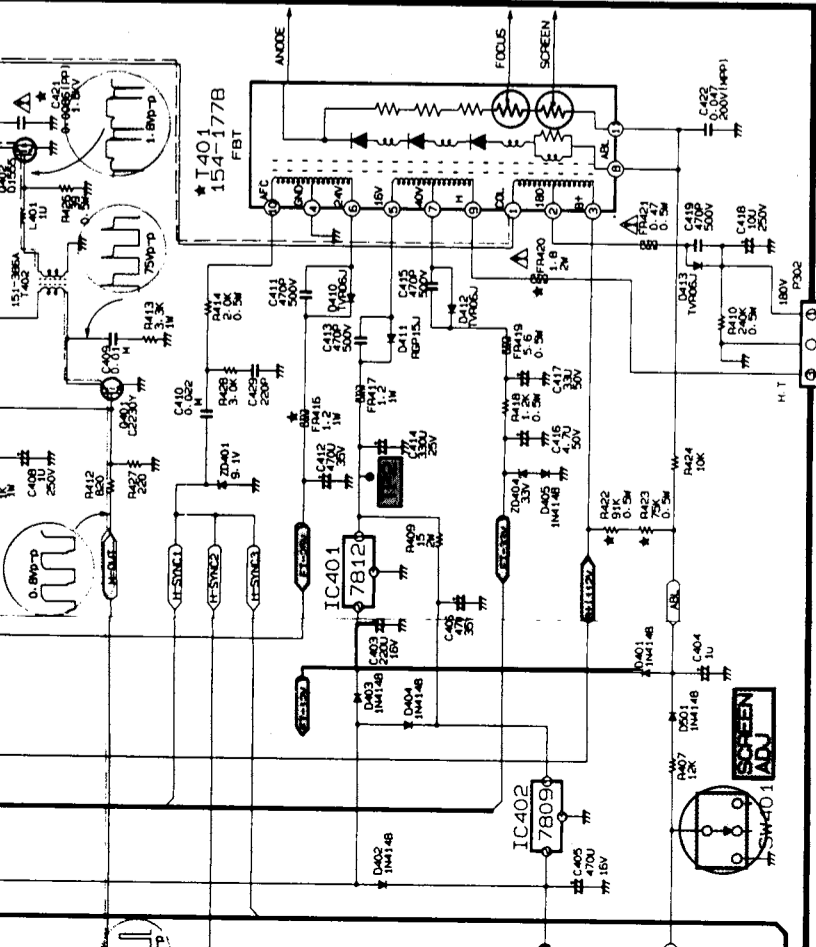
VALUE OF RESISTER, CAPACITOR AND INDUCTOR

1. Resistance is shown in ohm, K=1,000 M=1,000,000.
2. Unless otherwise noted in schematic, all capacitor values less than 1 are expressed in mfd and the values more than 1 in pF.
3. Unless otherwise noted in schematic, all inductor values less than 1 are expressed in uH, and the values more than 1 in H.

Ref 'M' in capacitor value means Mylar capacitor.

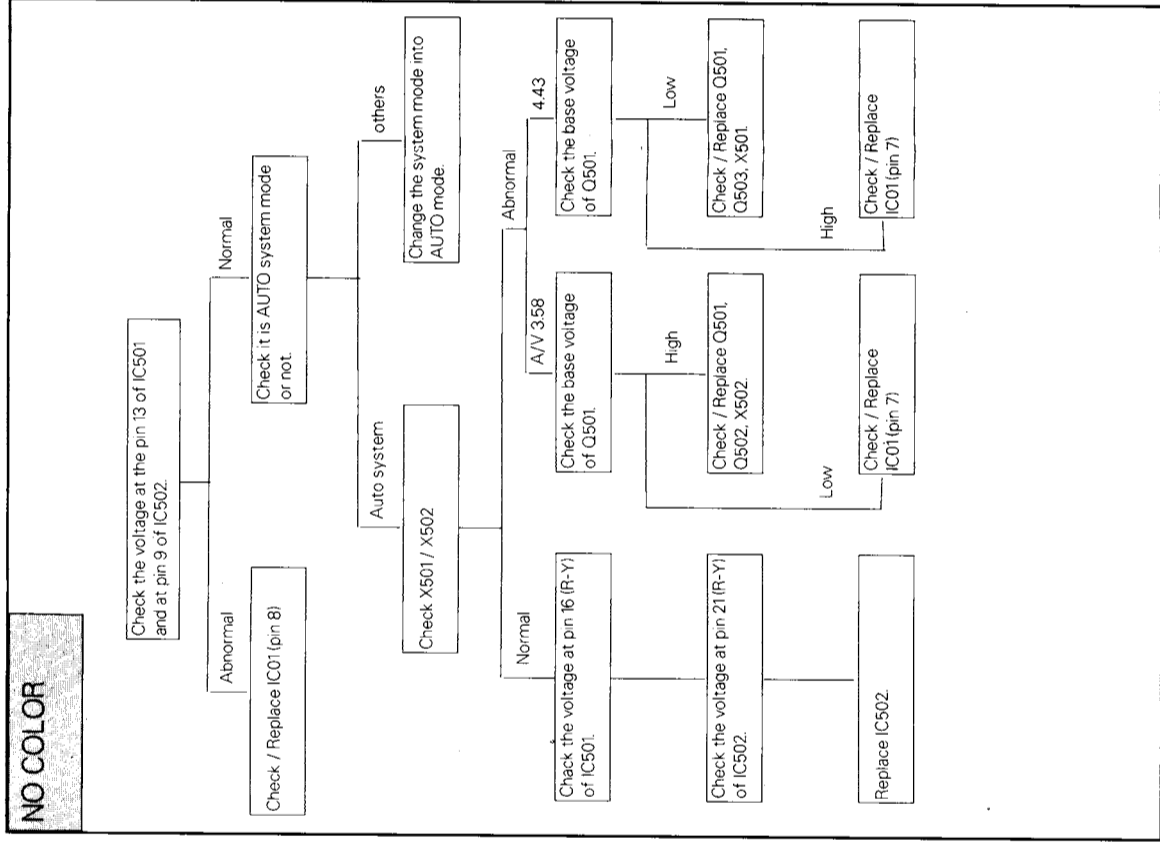
OBSERVATION OF VOLTAGE AND WAVEFORMS

1. Voltages read with VTVM from point to ground line voltages 100-270 volts, color bar signal.
2. The schematic shown is representative only.
3. All waveforms are taken using a wide band oscilloscope and a low capacity probe.
4. Check FINE TUNING, AGC, BRIGHTNESS, CONTRAST and COLOR controls for best picture. Make sure that BRIGHTNESS and COLOR controls are in mid-position and CONTRAST controls is almost in maximum position.
5. Waveforms are taken using a standard color bar signal.

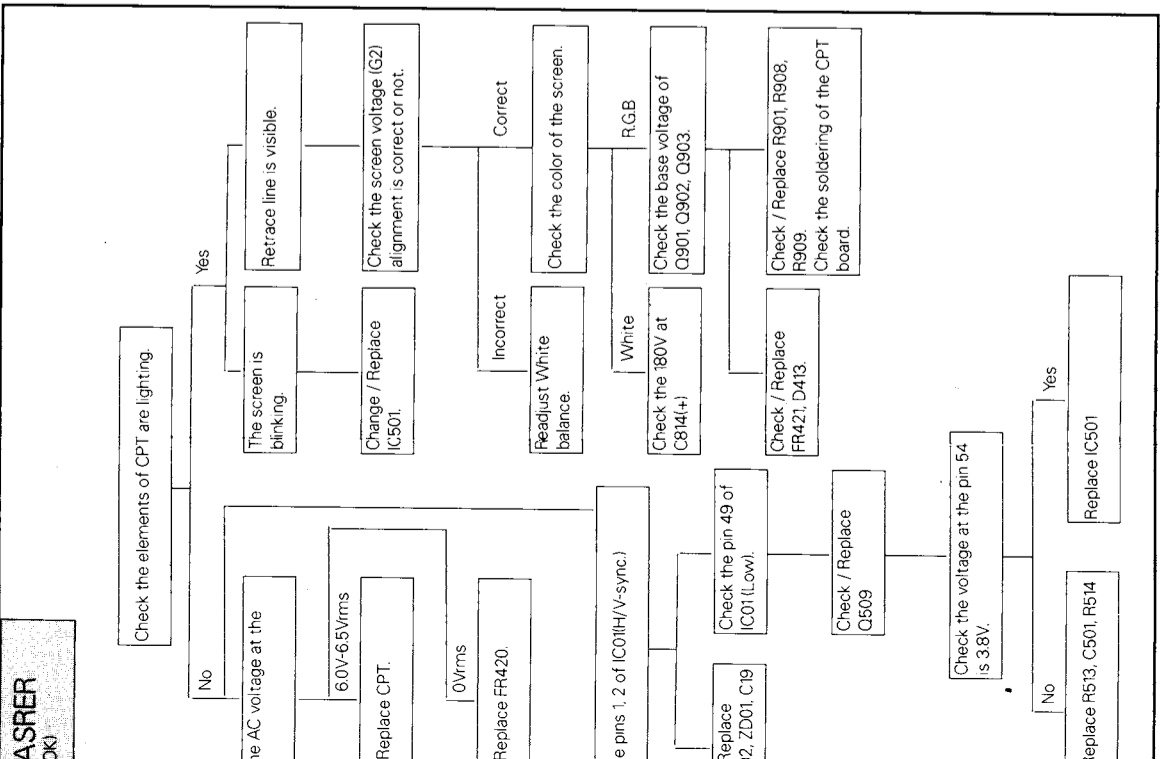


TO P903 OF THE OPT BOARD

NO COLOR/NO SOUND (LASTER OK)



NO COLOR



NO COLOR/NO SOUND (LASTER OK)

