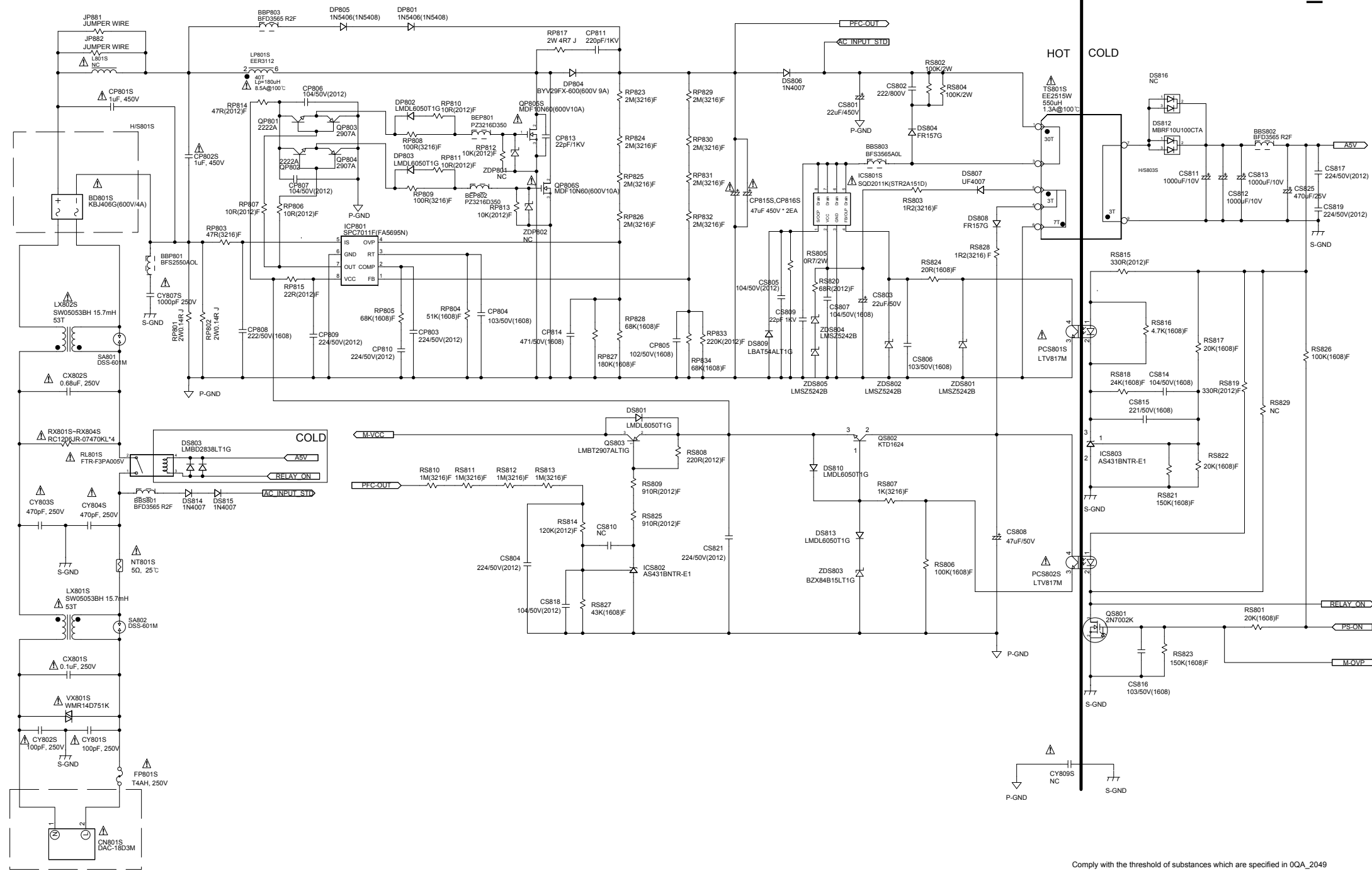


Stand-By & PFC Block

PD46B1QE_CDY

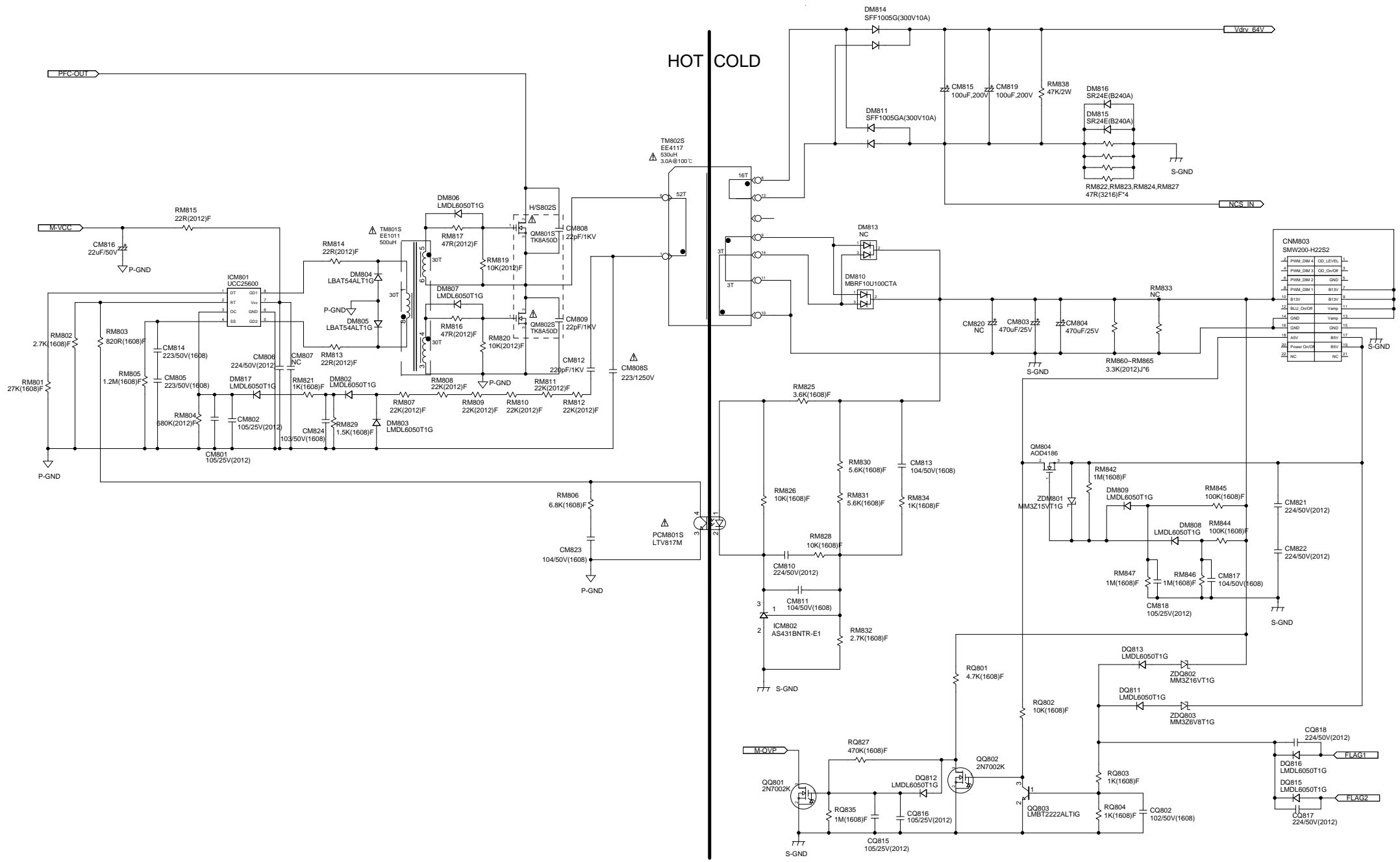


NOTE
 PL & 회로도 & 실물 & BOM 4점 정합확을 보증함
 NC : No Connection

Comply with the threshold of substances which are specified in OQA-2049

<p>energy & power solution</p>	USER STB&PFC MODEL NAME PD46B1QE_CDY PDM NUMBER 0N44-0052DC	DATE 2012-06-08 SCALE A3 REVISION R.D CHECKED APPROVED
------------------------------------	---	--

MULTI Block



NOTE
 PL & 회로도 & 실물 & BOM 4점 정합확을 보증함
 NC : No Connection

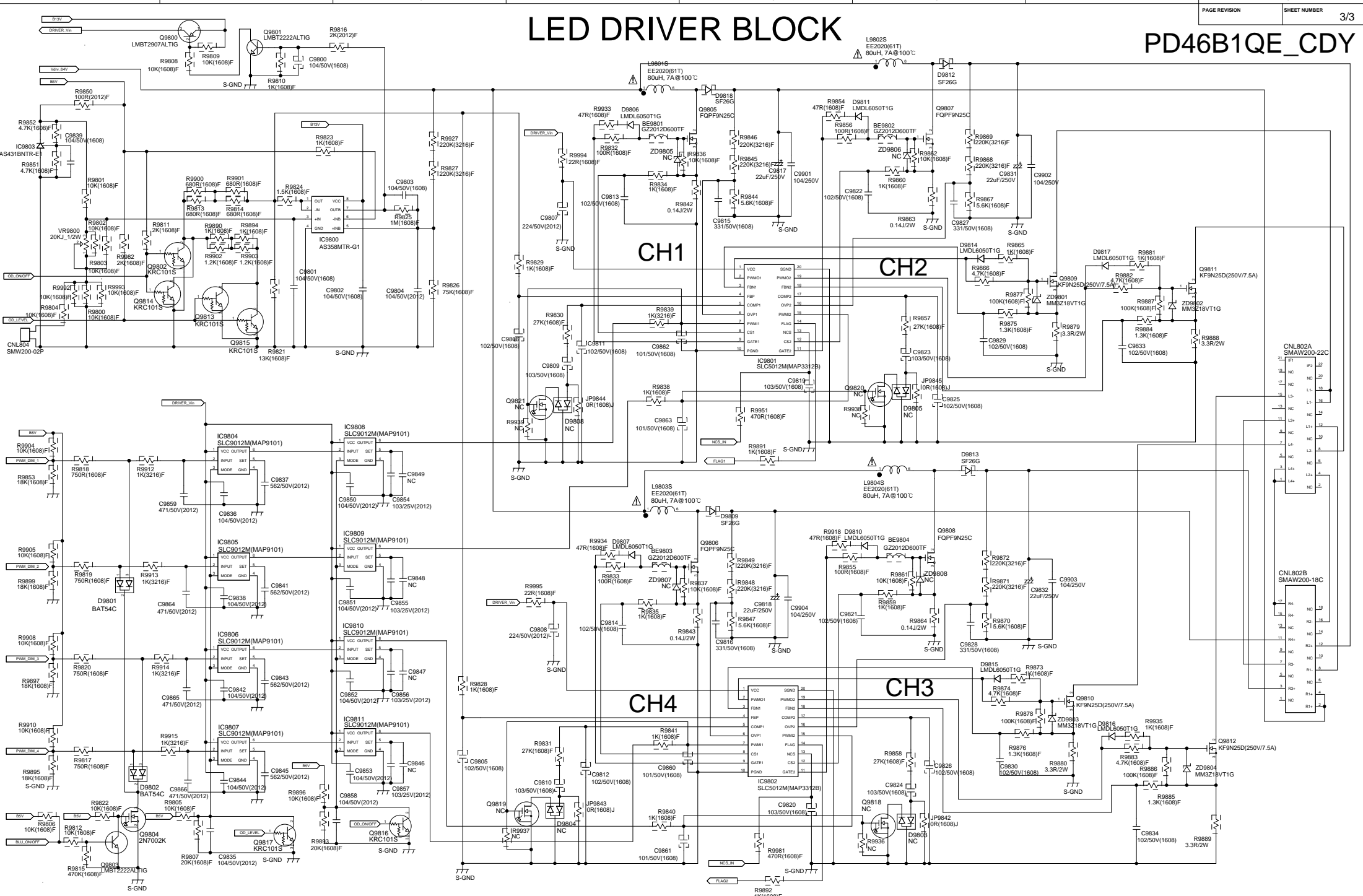
Comply with the threshold of substances which are specified in OQA_2049

USER	MULTI	DATE	2012-06-08
MODEL NAME	PD46B1QE_CDY	SCALE	A3
PDM NUMBER	0N44-00520C	REVISION	R.D
		CHECKED	
		APPROVED	



LED DRIVER BLOCK

PD46B1QE_CDY



NOTE
 PL & 회로도 & 실물 & BOM 4점 정합확을 보증함
 NC : No Connection

Comply with the threshold of substances which are specified in OQA_2049

USER LED_DRIVER		DATE
MODEL NAME	PD46B1QE_CDY	SCALE A3
PDM NUMBER	0N44-0032C	REVISION R.D
		CHECKED
		APPROVED

