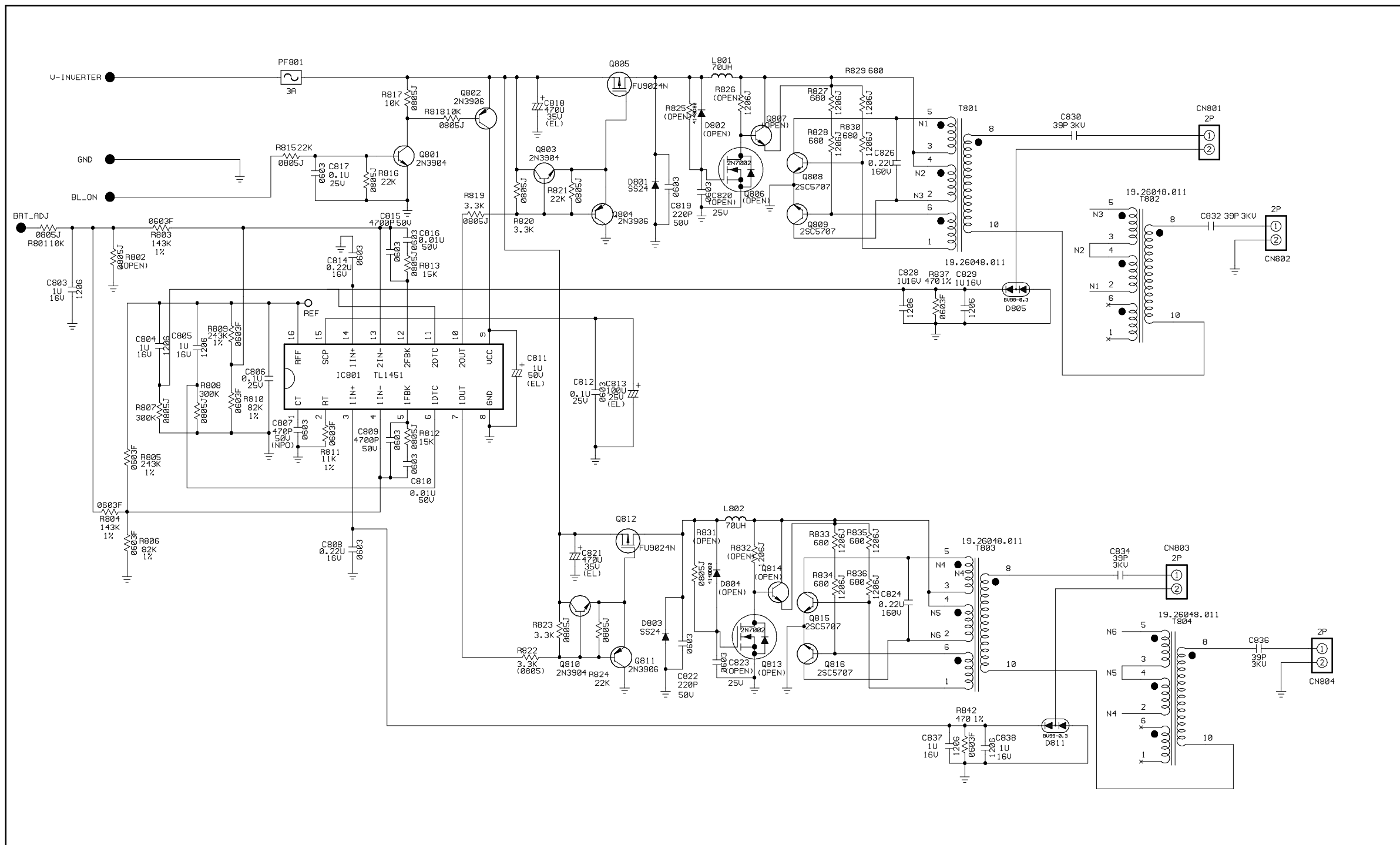


- NOTES
1. Resistor values are in ohm, K=1,000 ohm, M=1,000,000 ohm
 2. All resistors are 1/8 watt, 5% except where otherwise indicated
 3. ∇ ∇ ∇ Represents PCB common ground.

BenQ			
Q9T4 SPS BOARD		SCHEMATICS	
SIZE A4	L1J02S03.SCH	Project Code. 99.L1J72.001	REV. 0
DATE :	2/2/2005	Sheet	1 OF 2
Doc.No. 99.L1J72.000-C3-304-002			
Prepared By ANGEL HU 2/2/2005	Reviewed By GEORGE SHEU 2/2/2005	Approved By H. J. WONG 2/2/2005	



NOTES: 1. Resistor values are in ohm, K=1,000 ohm, M=1,000,000 ohm
 2. All resistors are 1/8 watt, 5% except where otherwise indicated
 3. ∇ ∇ ∇ Represents PCB common ground.

BenQ			
Q9T4 SPS BOARD SCHEMATICS			
SIZE A4	L1J02S03.SCH	Project Code. 99.L1J72.001	REV. 0
DATE : 2/2/2005	Sheet 2 OF 2		
Doc.No. 99.L1J72.000-C3-304-002			
Prepared By ANGEL HU 2/2/2005	Reviewed By GEORGE SHEU 2/2/2005	Approved By H.J. WONG 2/2/2005	