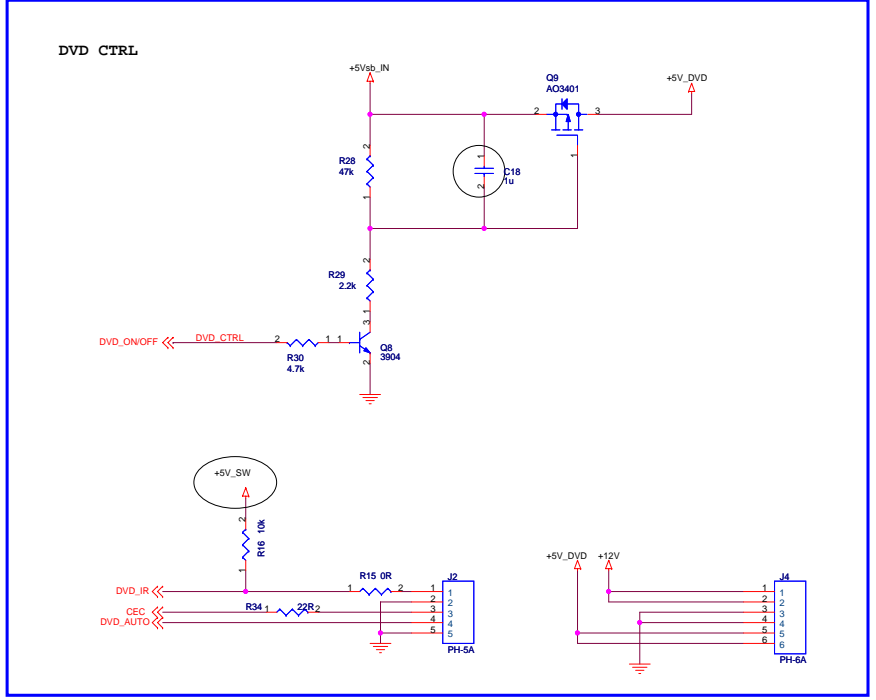
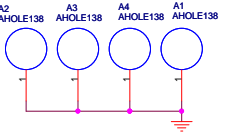
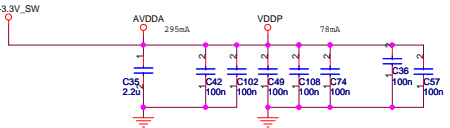
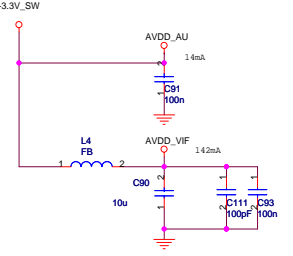
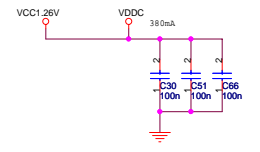
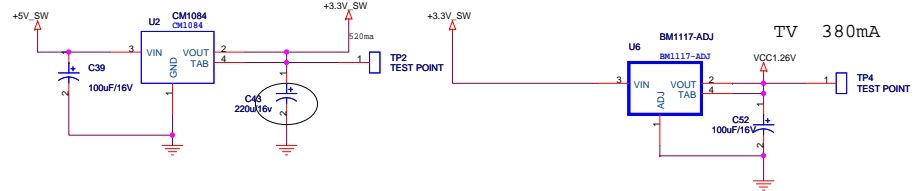
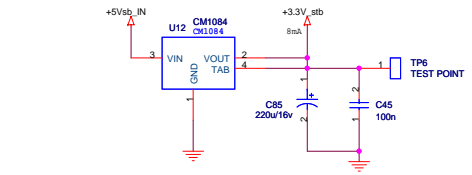
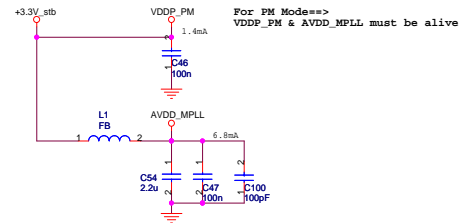
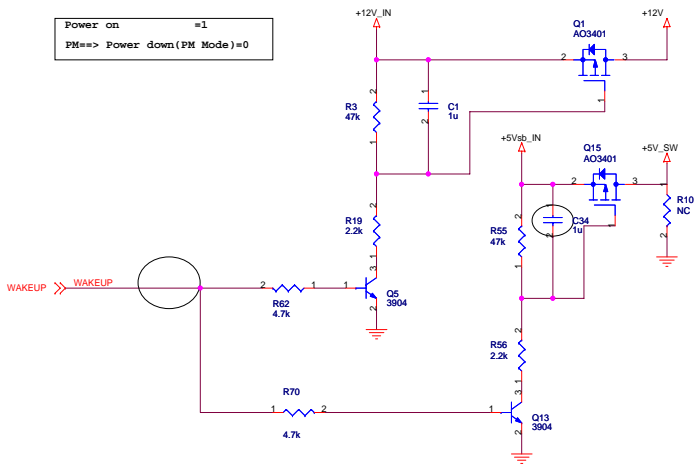


Power on =1
 FM=> Power down (PM Mode)=0



1: 由于EEPROM 供电为5V, EEPROM 的wp脚, 需要更改为5V上拉, 由于AD[1]不能支持5V-tolerance, 所以改为ALE脚

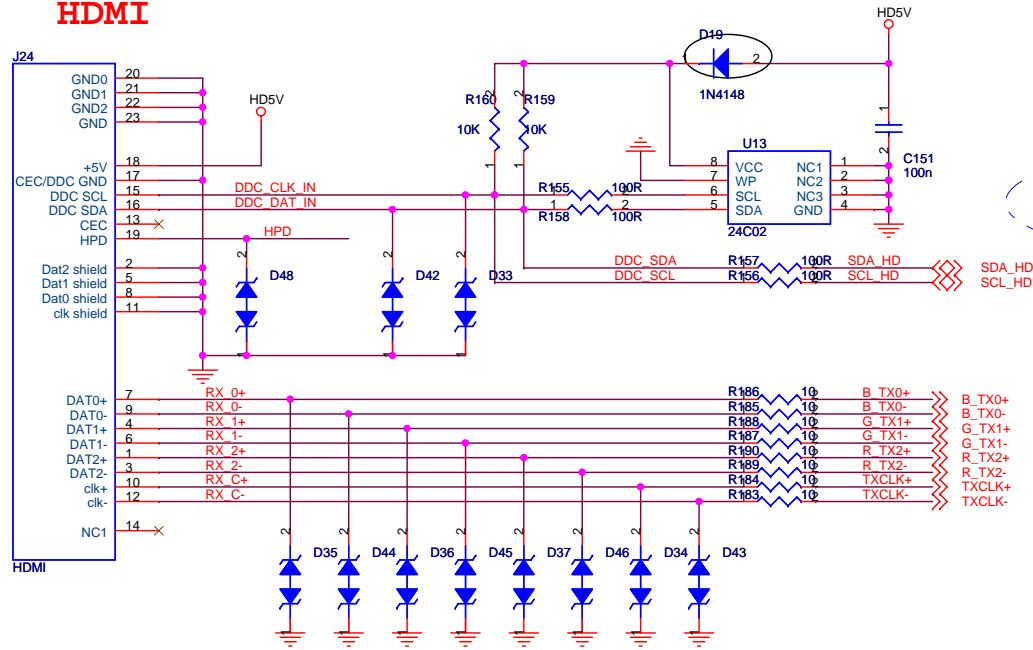
2: 考虑到invert的控制, ADJ脚有时候需要PWM脉冲, 而且嵌位电压为3.3V, 所以ADJ处预留分压电阻

3: PWM0 PWM1作为config验证, 要保证开机的高电平2.7V以上, 考虑PWM0作为adj调整, 后端连接了三极管
考虑所串电阻分压, 调整上拉电阻为1K

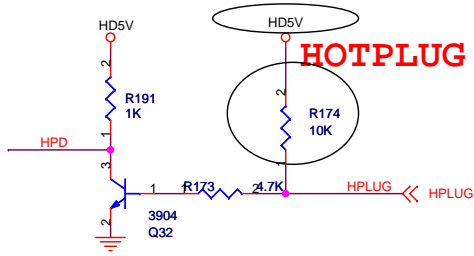
4: HDMI Hotplug预留得上拉电阻, 电源接到HDMI CONNECTOR输入的+5V上

Title		
<Title>		
Size	Document Number	Rev
B	<Doc>	<Rev Code>
Date:	Tuesday, November 10, 2009	Sheet of
		1

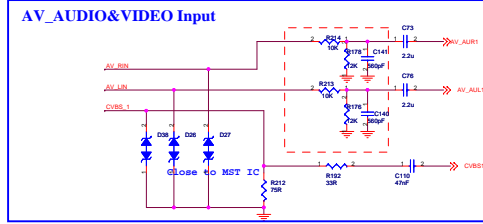
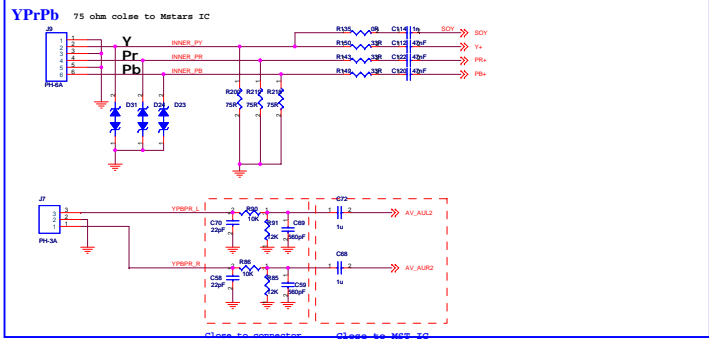
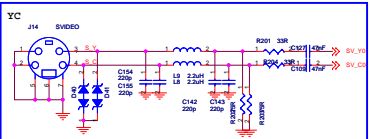
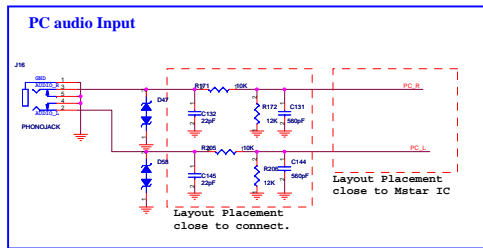
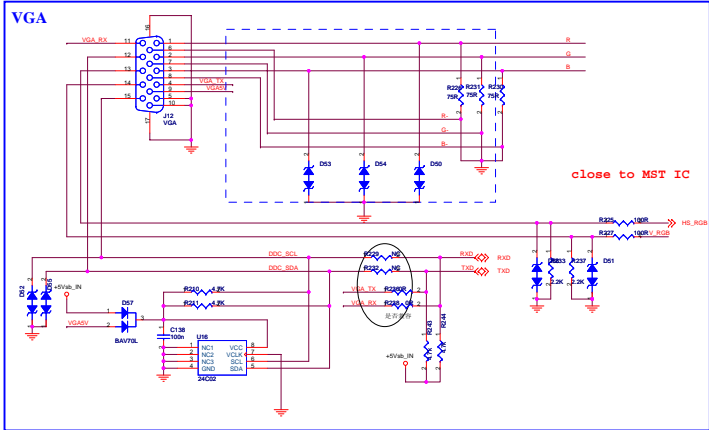
HDMI

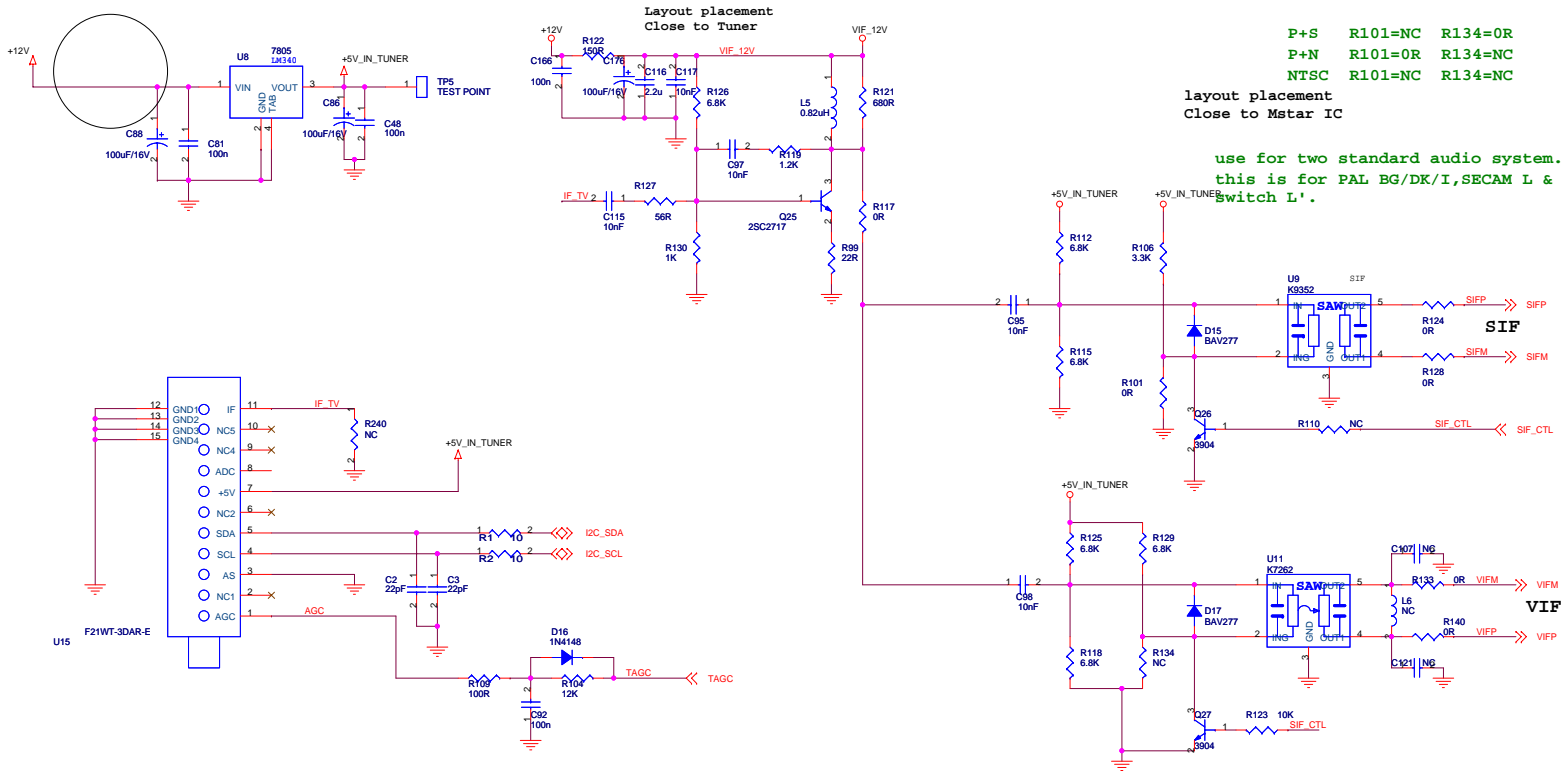


24C02=>EDID code must be upto 256byte space, for HDMI interface.



Cultraview , Inc.		CONFIDENTIAL	3000 LongDong Road Shanghai,China (86) 021-68791101
02.HDMI Interface			
Size	Document Number		Rev
B	CVTSUMV26L_V1.0		V1.0
Date:	Tuesday, November 10, 2009	Sheet 2	of 7



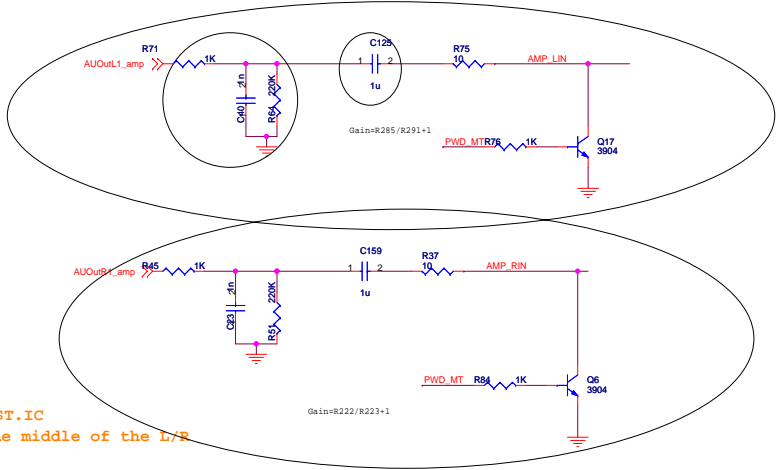


P+S R101=NC R134=0R
 P+N R101=0R R134=NC
 NTSC R101=NC R134=NC

layout placement
 Close to Mstar IC

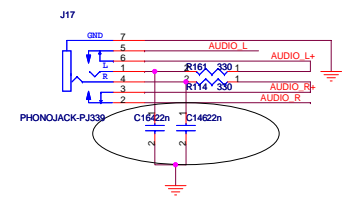
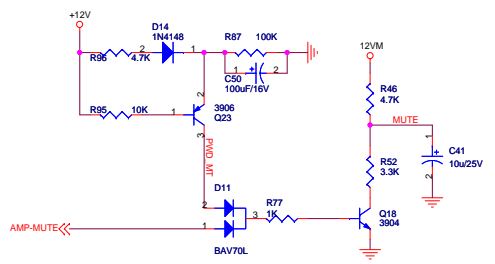
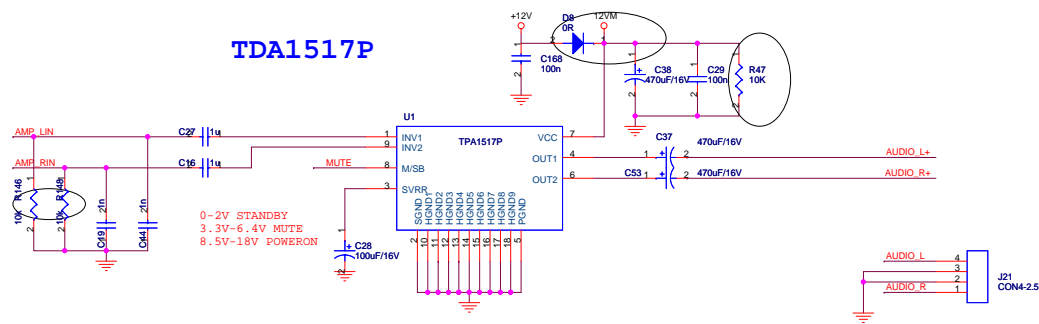
use for two standard audio system.
 this is for PAL BG/DK/I, SECAM L &
 Switch L'.

AUDIO Pre AMP

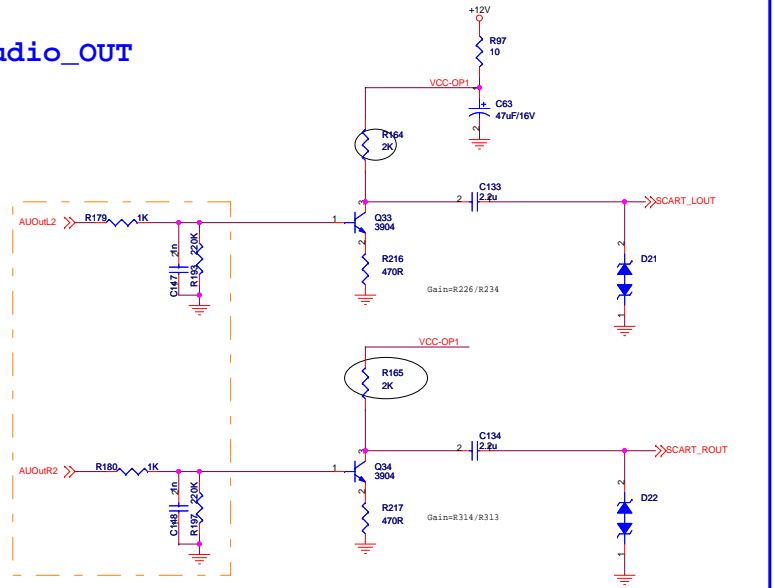


Near MST.IC
Ground in the middle of the L/R

TDA1517P

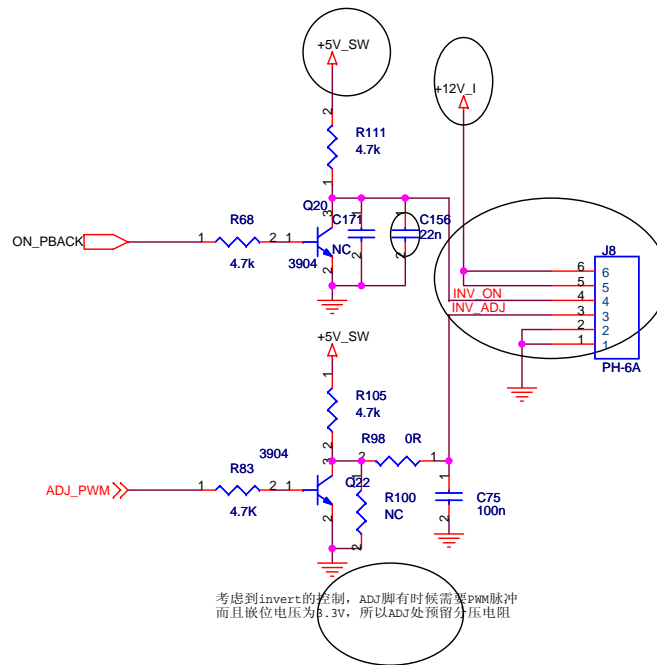
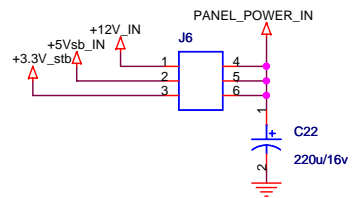
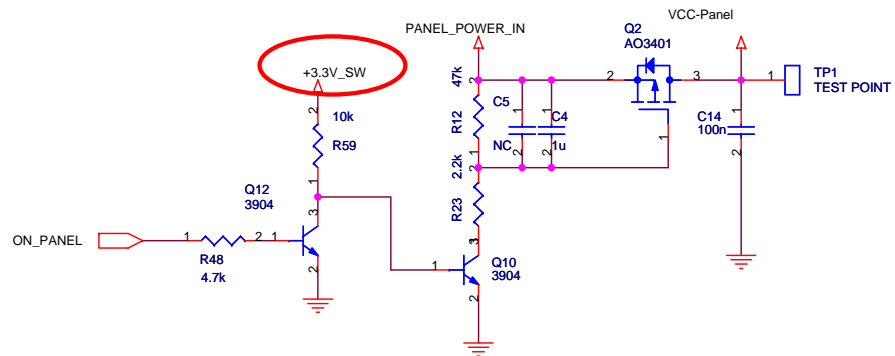


audio_OUT

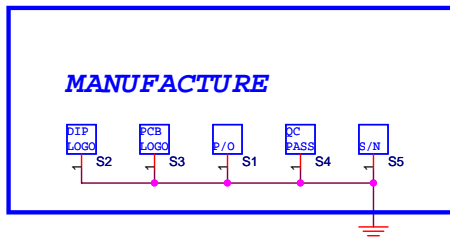


Near MST.IC
Ground in the middle of the L/R

Cultraview, Inc. CONFIDENTIAL		3000 LongDong Road Shanghai, China (86) 021-68791101
File: 06.Audio Amp. Interface		
Size: C	Document Number: CVT8UMV2SL_V1.0	Rev: V1.0
Date: Friday, November 27, 2009	Sheet: 6	of 7



考虑到invert的控制, ADJ脚有时候需要PWM脉冲而且嵌位电压为3.3v, 所以adj处预留分压电阻



Cultraview, Inc. CONFIDENTIAL		3000 LongDong Road Shanghai, China (86) 021-68791101
07.Panel Interface		
Size	Document Number	Rev
B	CVTSMV26L_V1.0	V1.0
Date:	Tuesday, November 10, 2009	Sheet 7 of 7