

AKIRA
makes life better

DVD Player
Service Manual

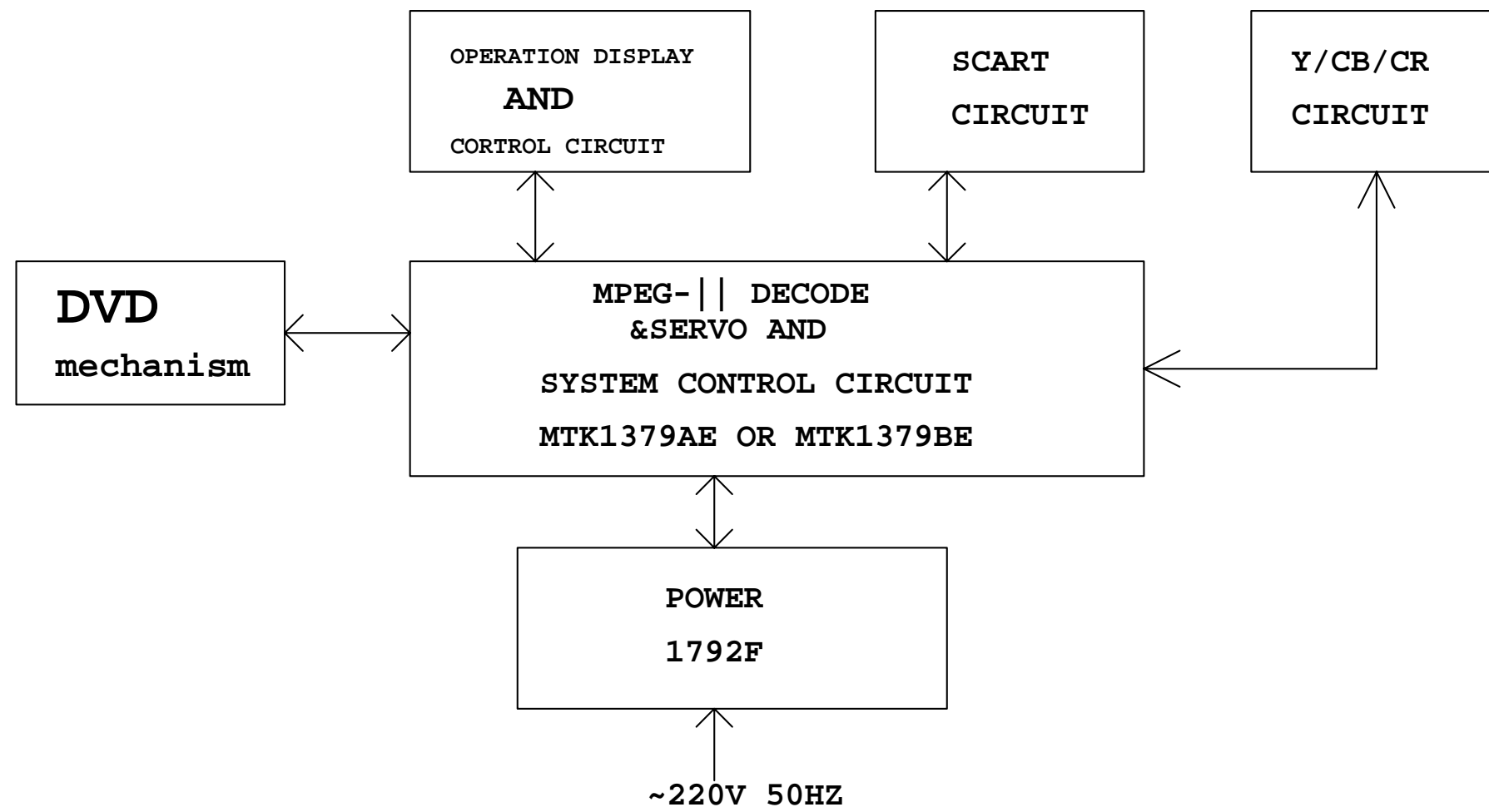
Model Group: DVD-2102

**Model:
DVD-2102SE A1**

CONTENTS

UNIT CIRCUIT BLOCK DIAGRAM.....	4
INDEX & POWER.....	5
RF.....	6
SERVO.....	7
FALSH, SDRAM & EEPROM.....	8
AUDIO DAC & ADC.....	9
AV OUTPUT.....	10
PCB.....	11
EXPLODED VIEW.....	20
PART LIST.....	21

UNIT CIRCUIT BLOCK DIAGRAM

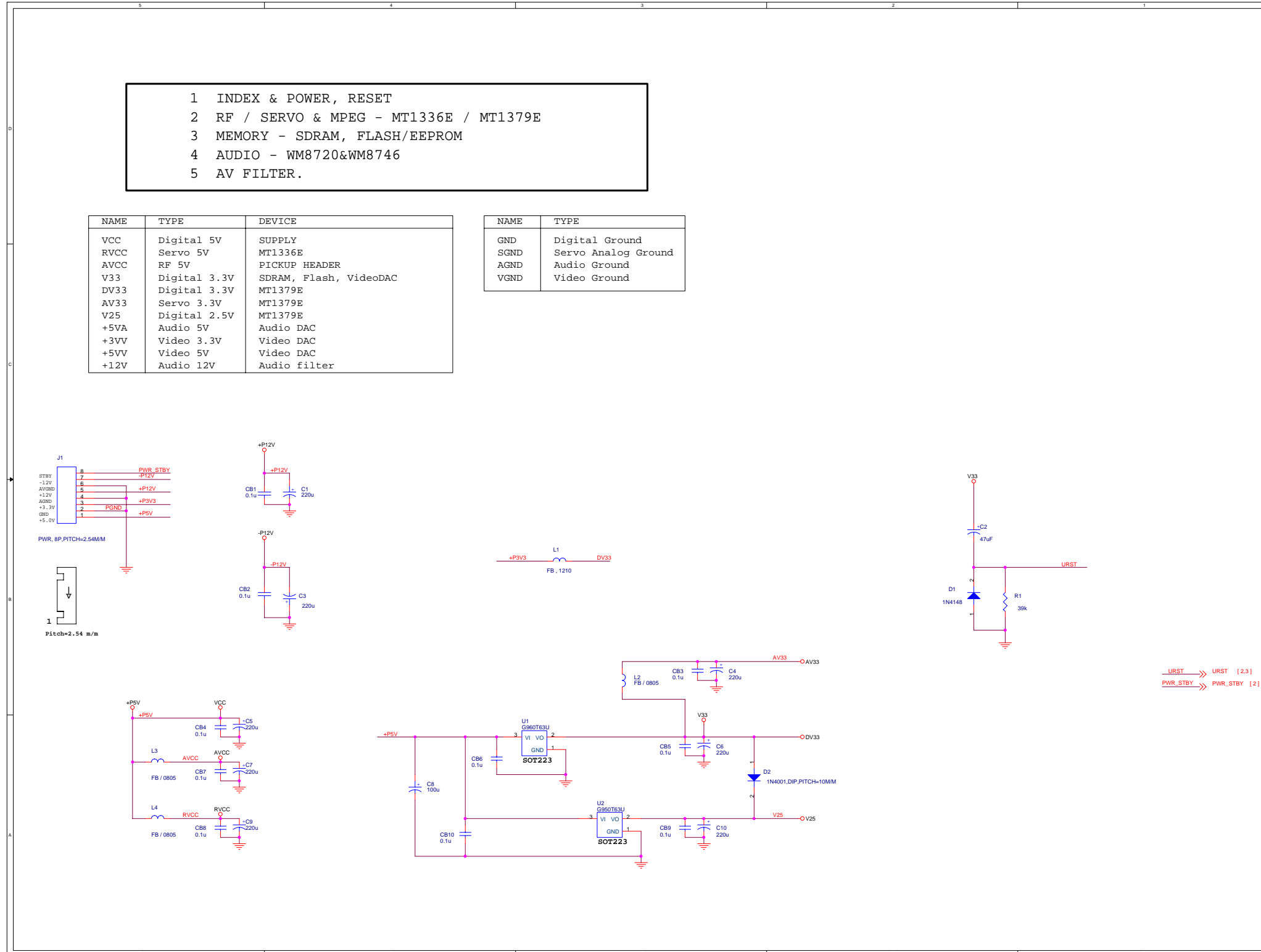


INDEX AND POWER

- 1 INDEX & POWER, RESET
- 2 RF / SERVO & MPEG - MT1336E / MT1379E
- 3 MEMORY - SDRAM, FLASH/EEPROM
- 4 AUDIO - WM8720&WM8746
- 5 AV FILTER.

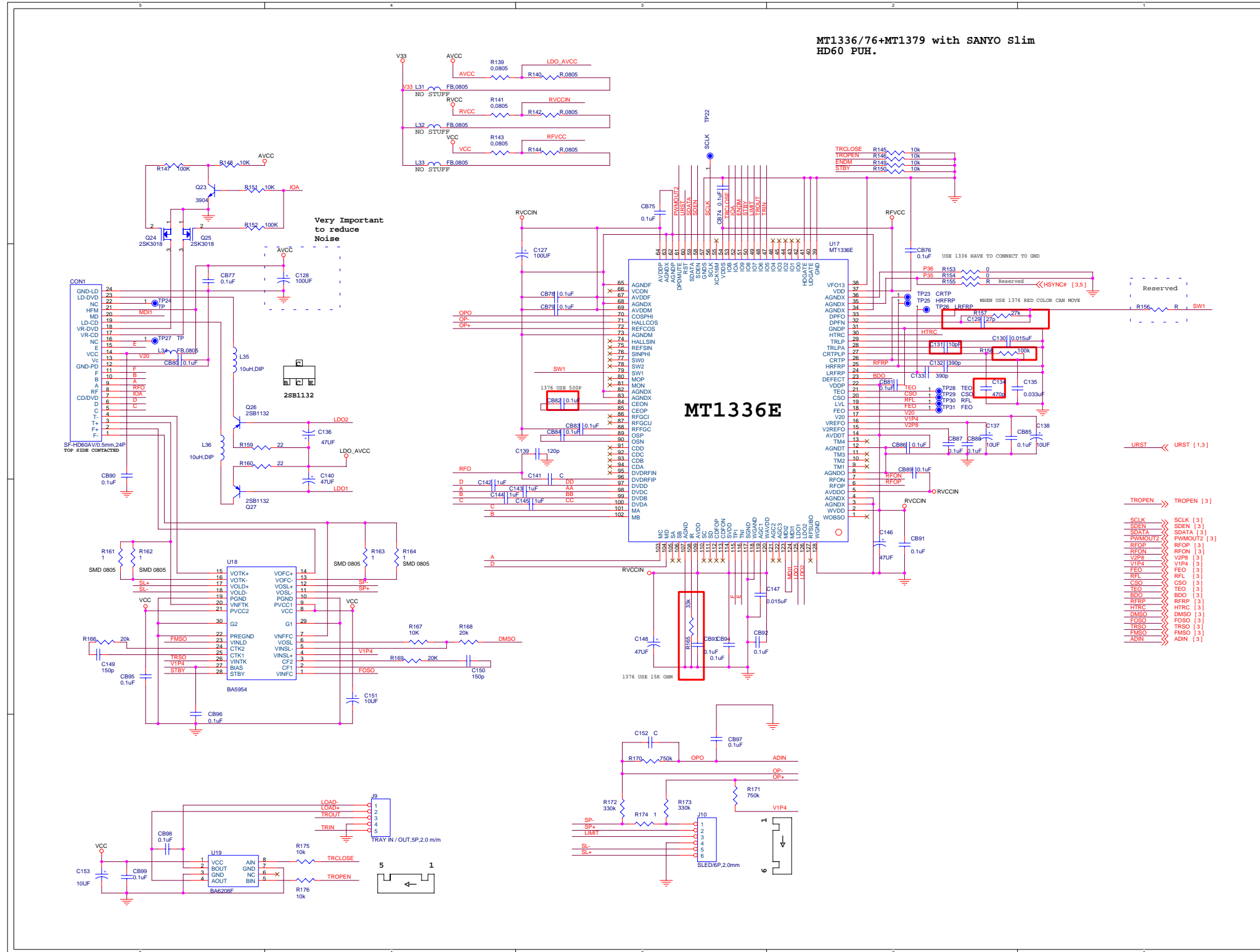
NAME	TYPE	DEVICE
VCC	Digital 5V	SUPPLY
RVCC	Servo 5V	MT1336E
AVCC	RF 5V	PICKUP HEADER
V33	Digital 3.3V	SDRAM, Flash, VideoDAC
DV33	Digital 3.3V	MT1379E
AV33	Servo 3.3V	MT1379E
V25	Digital 2.5V	MT1379E
+5VA	Audio 5V	Audio DAC
+3VV	Video 3.3V	Video DAC
+5VV	Video 5V	Video DAC
+12V	Audio 12V	Audio filter

NAME	TYPE
GND	Digital Ground
SGND	Servo Analog Ground
AGND	Audio Ground
VGND	Video Ground

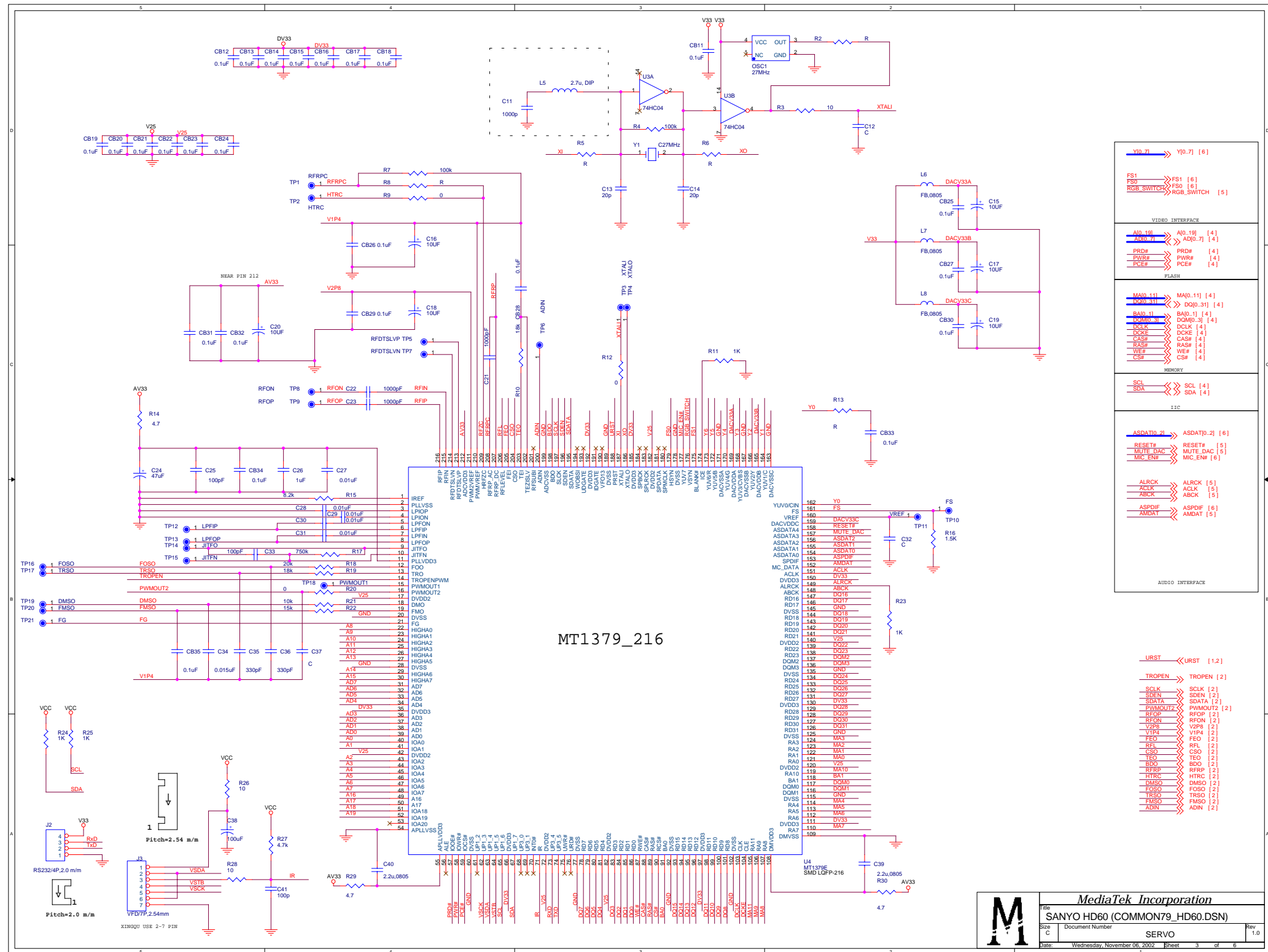


URST >>> URST [2,3]
PWR_STBY >>> PWR_STBY [2]

RF



SERVO



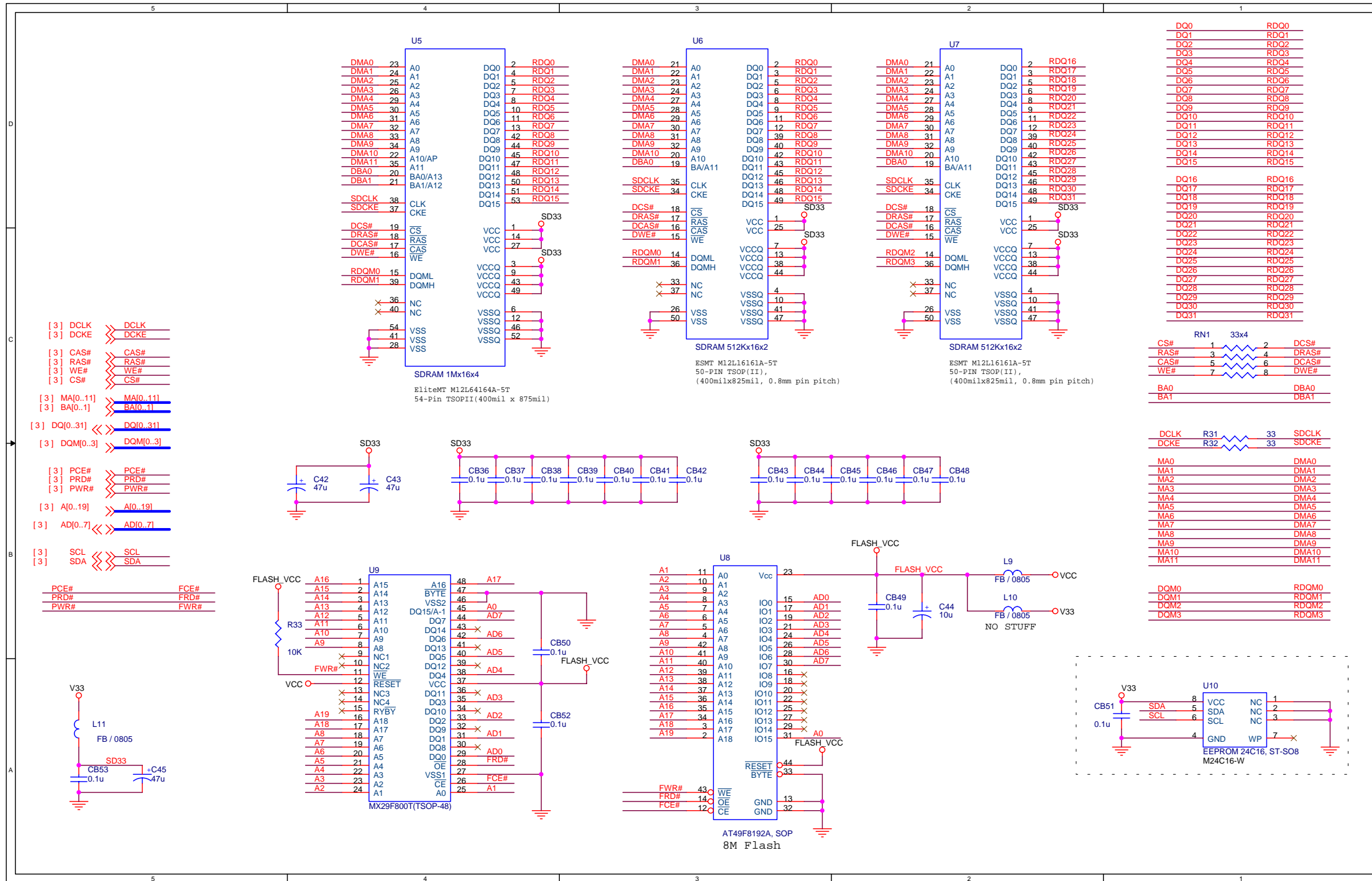
MediaTek Incorporation

SANYO HD60 (COMMON79_HD60.DSN)

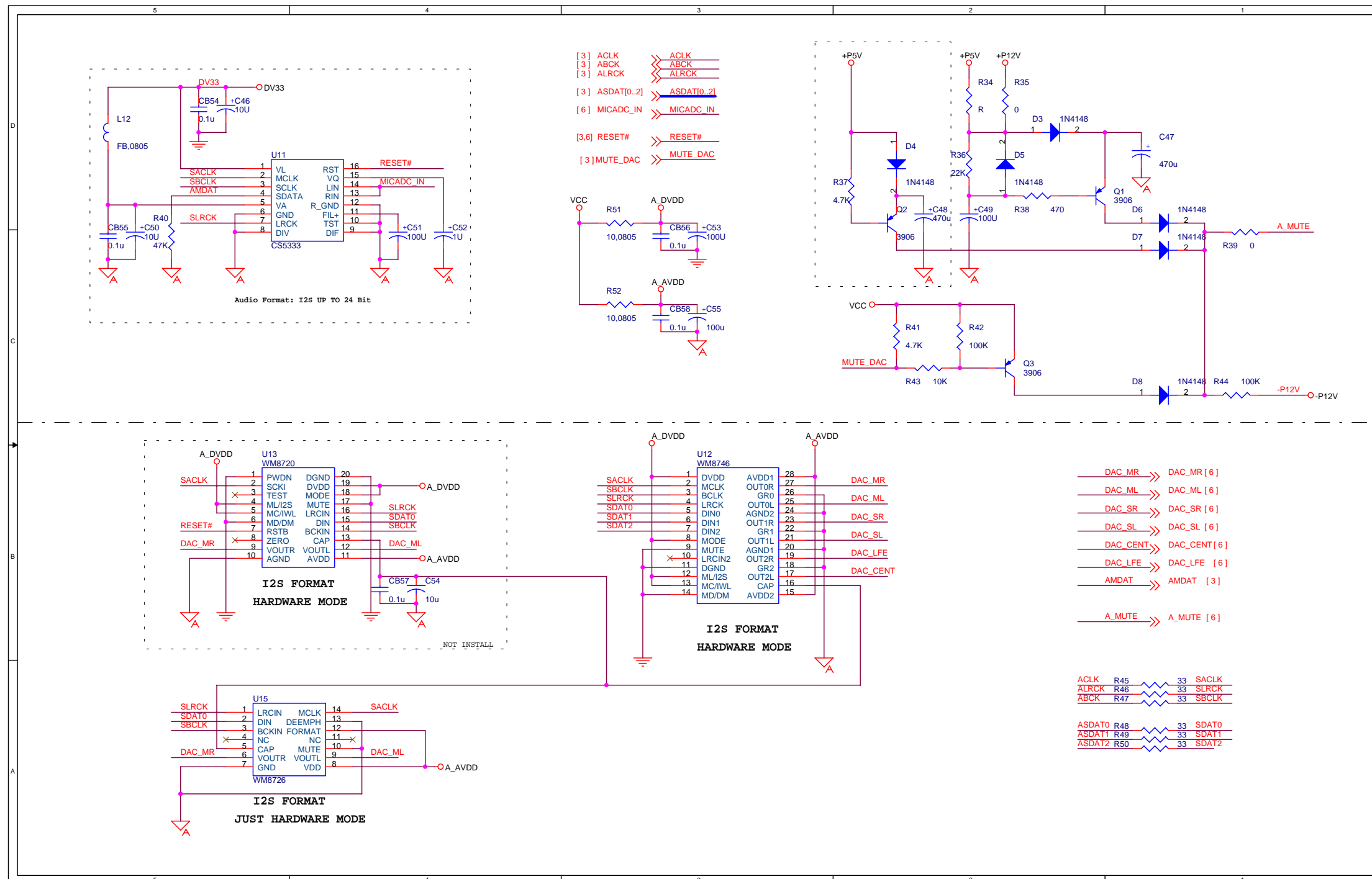
SERVO

Date: Wednesday, November 06, 2002 Sheet 3 of 6

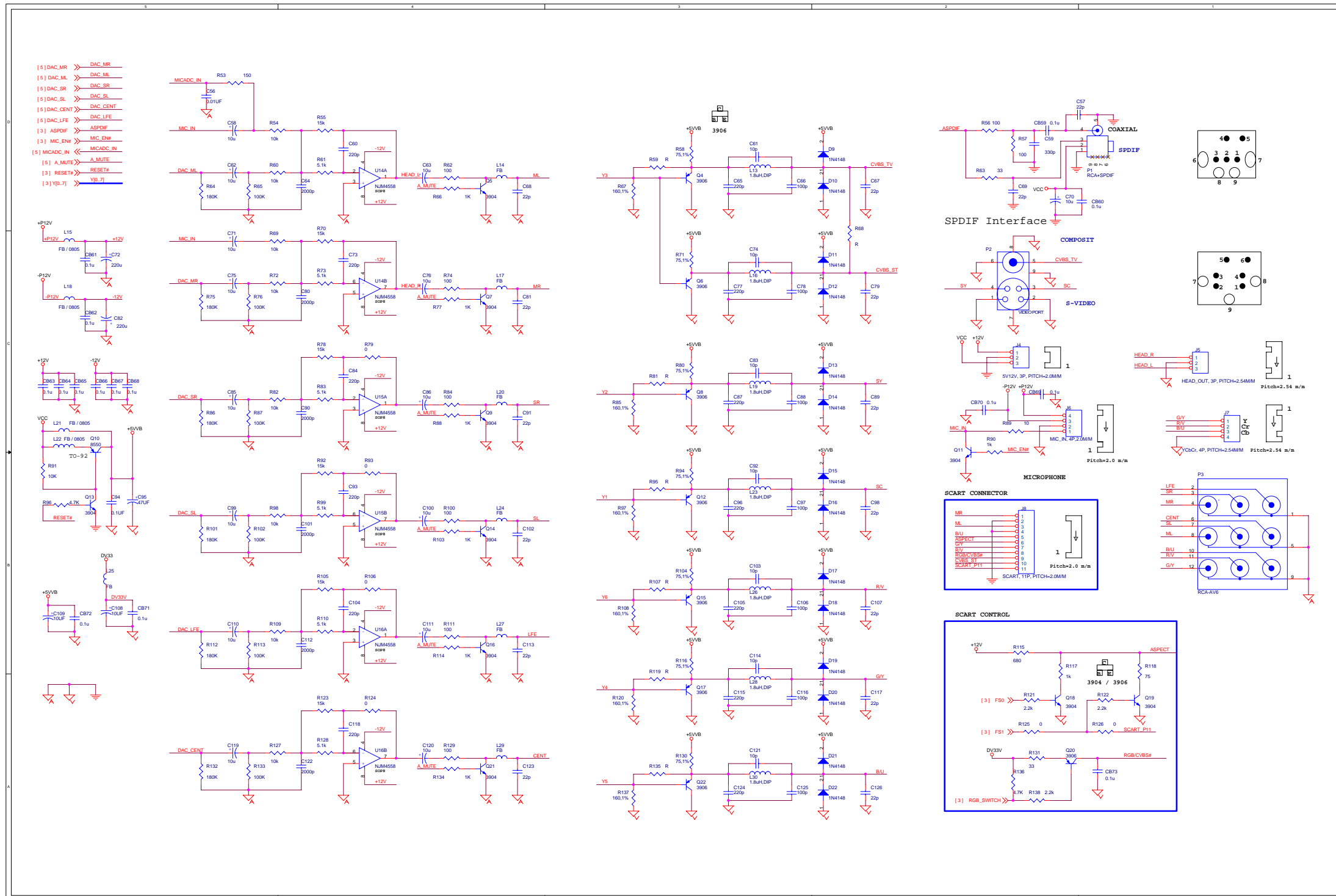
FALSH, SDRAM & EEPROM



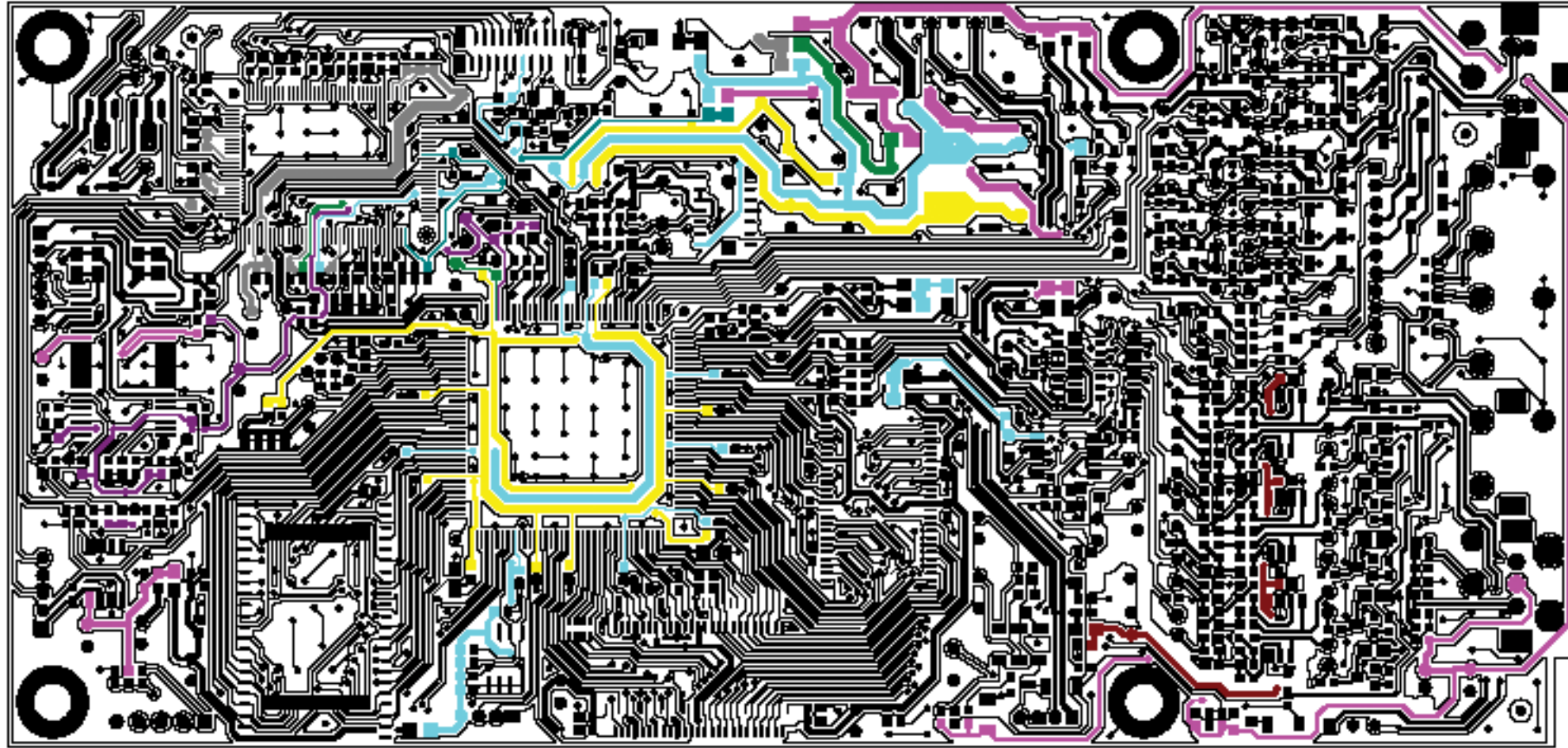
AUDIO DAC & ADC



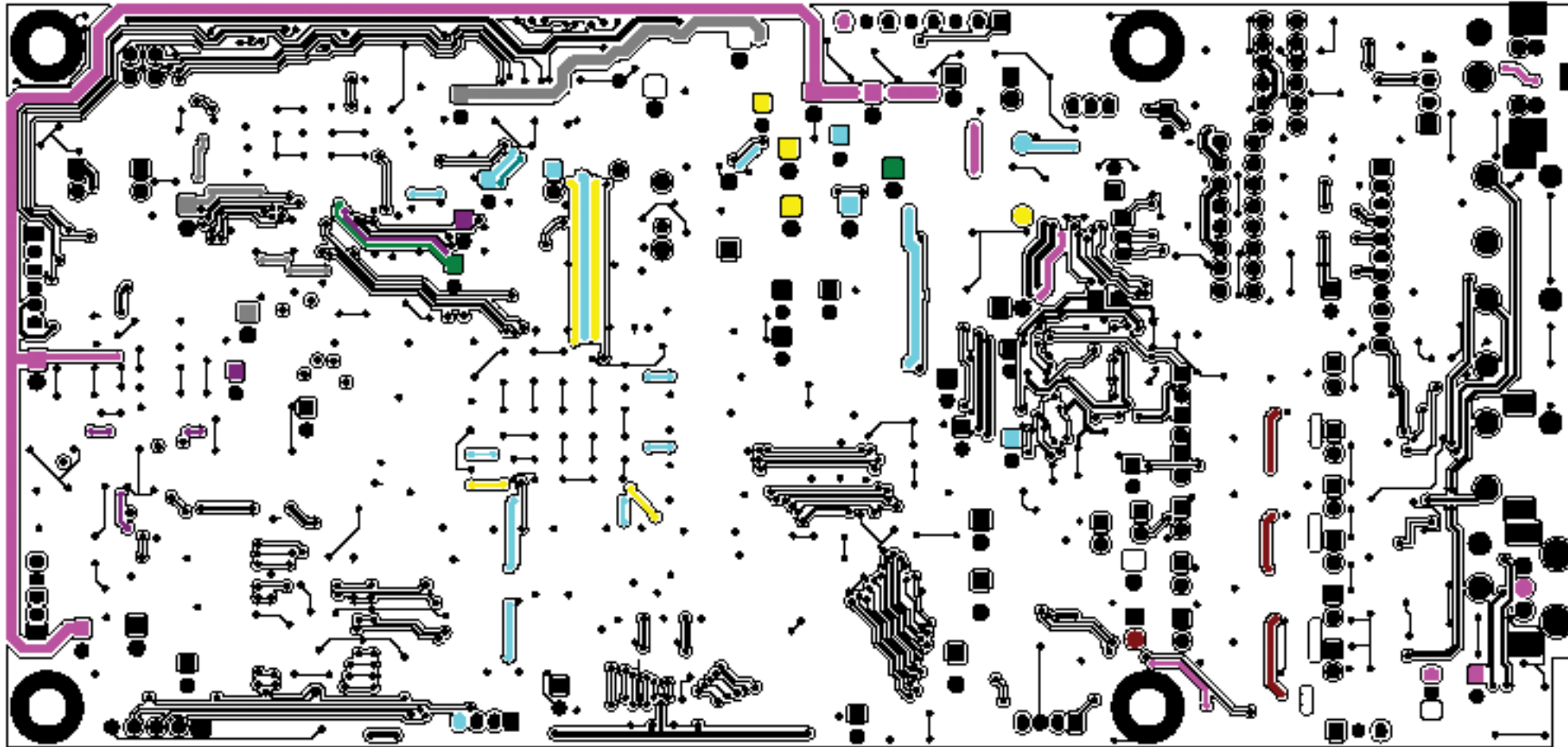
AV OUTPUT



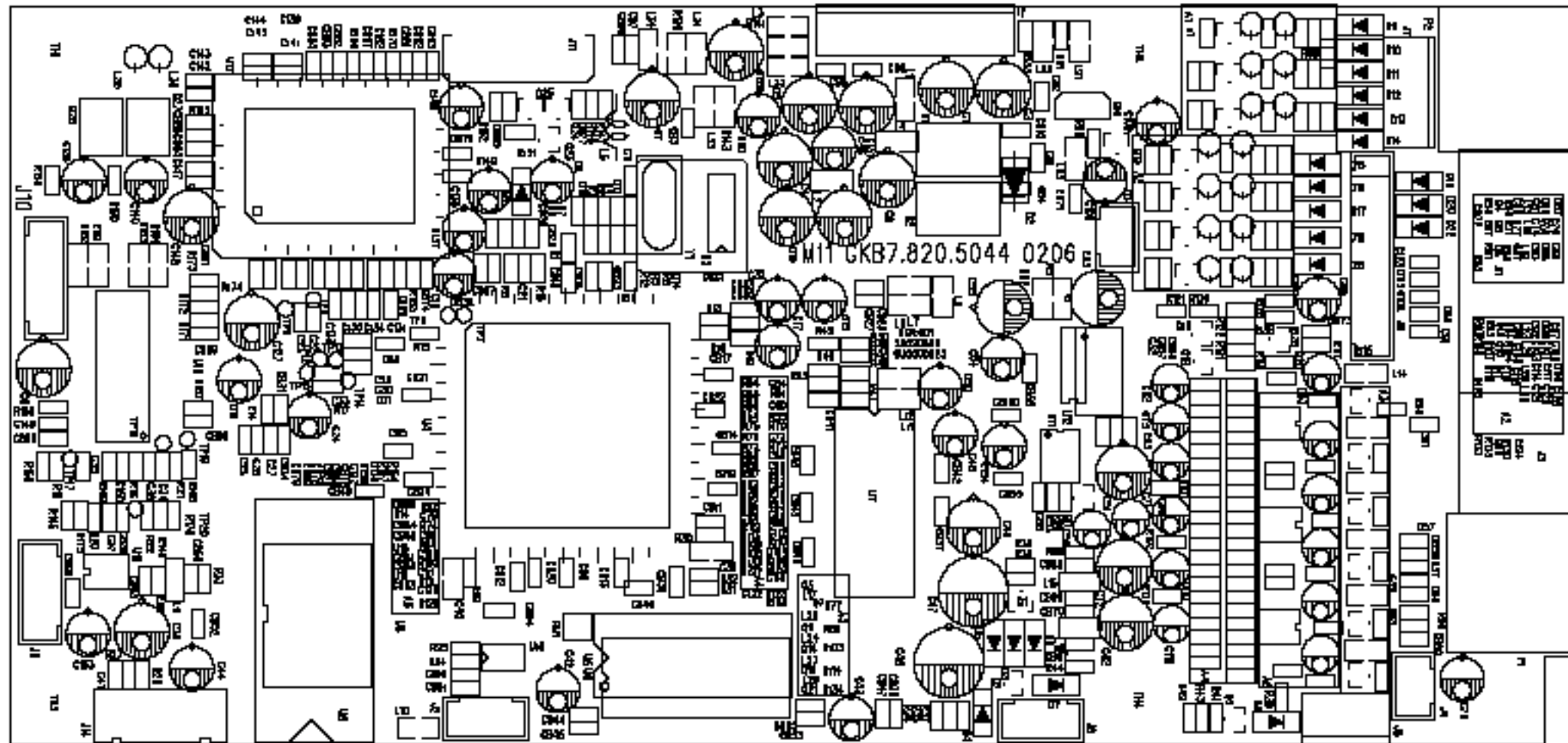
PCB

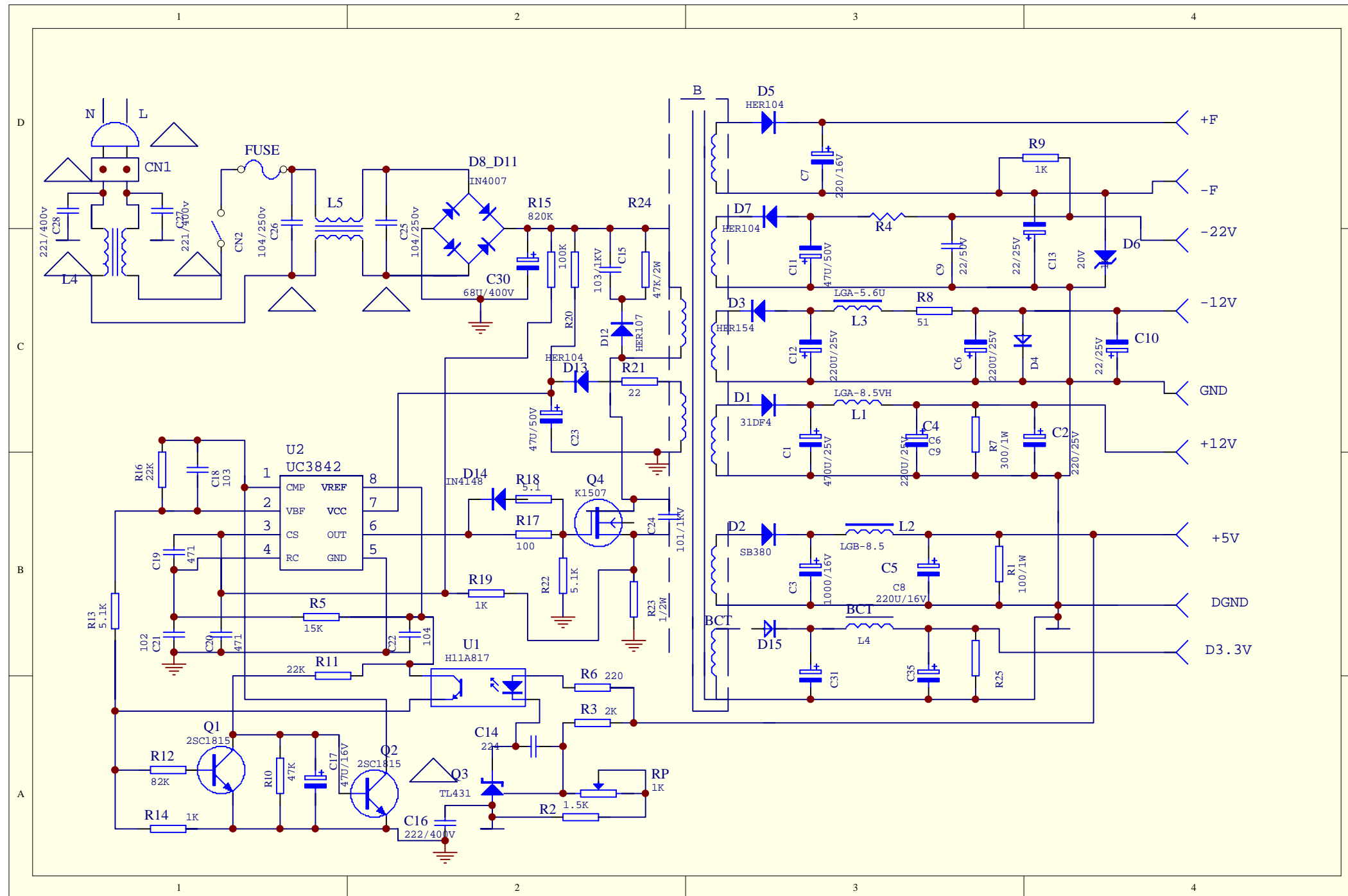


PCB

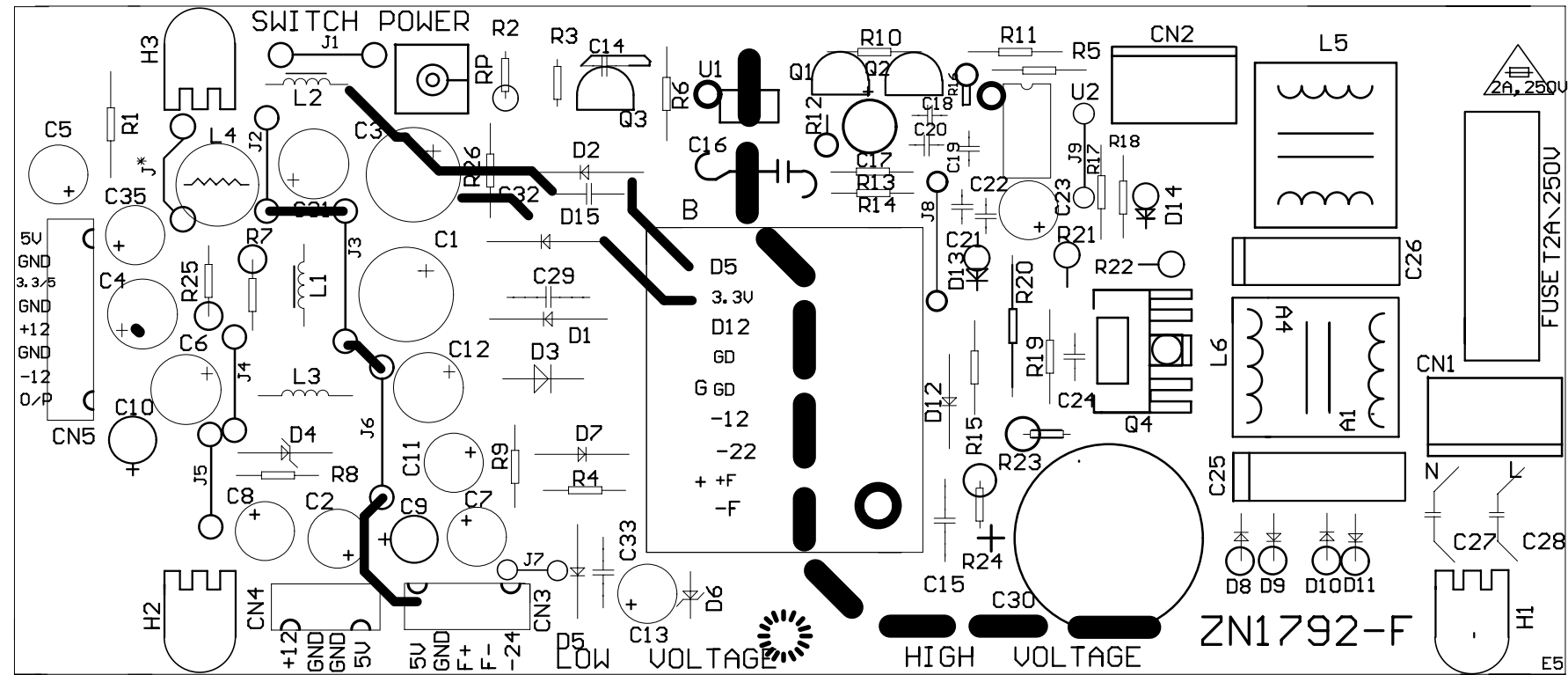


PCB

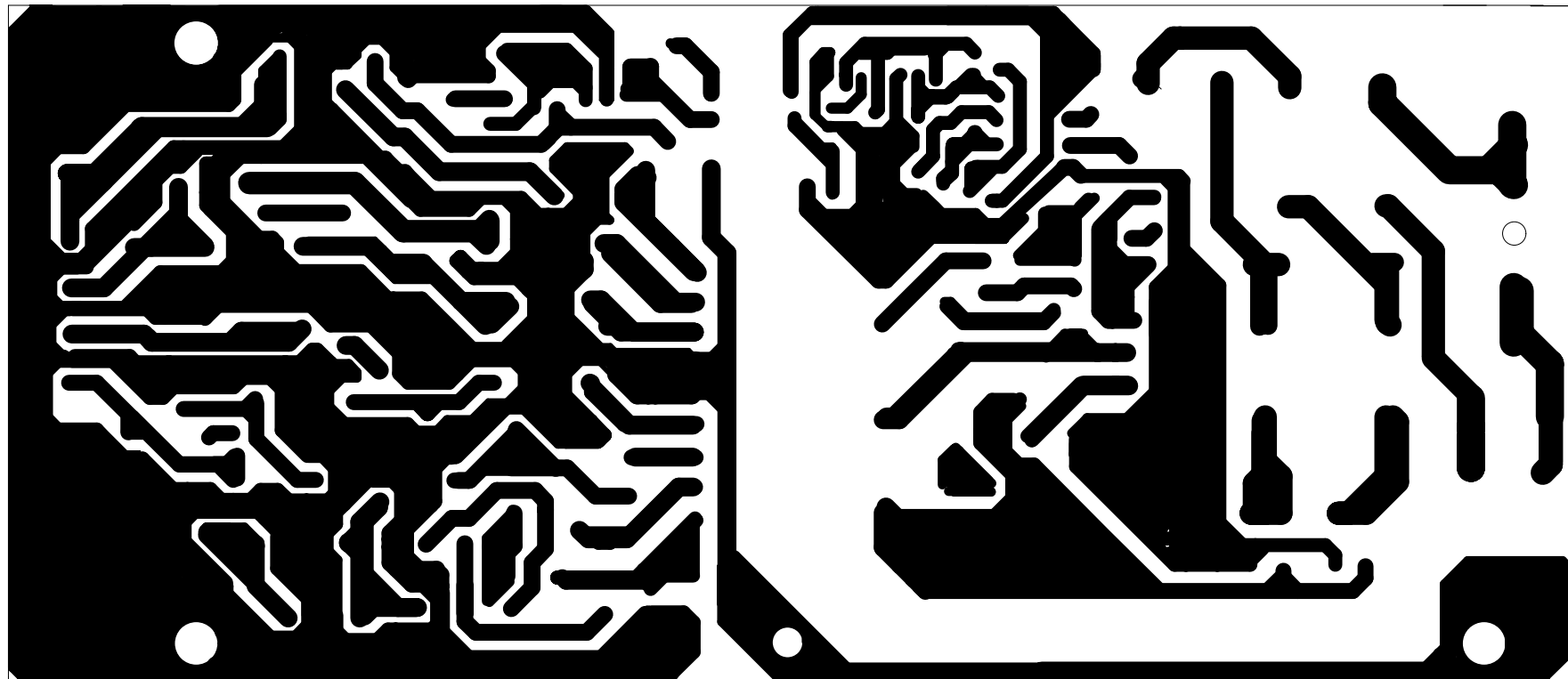


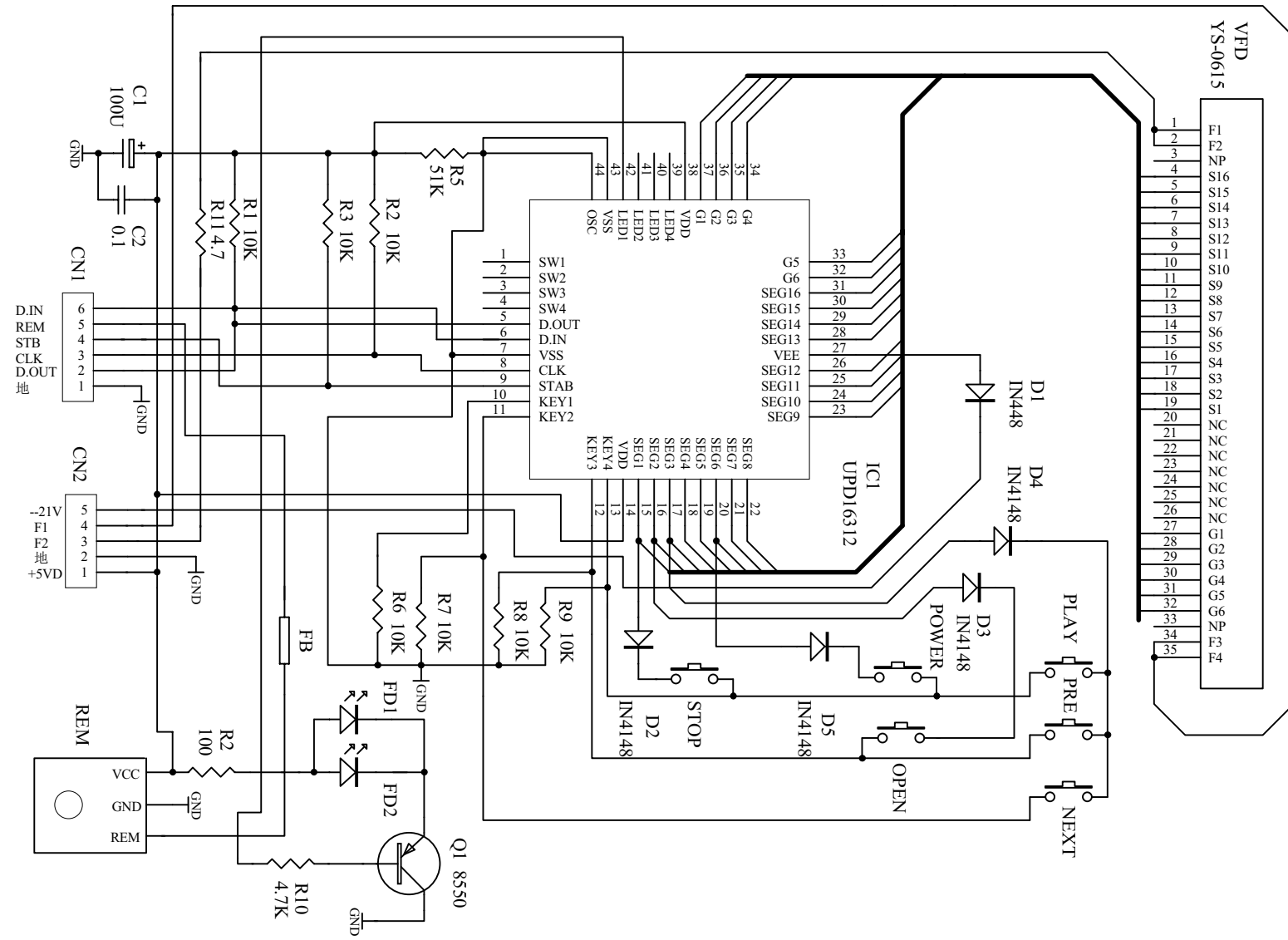


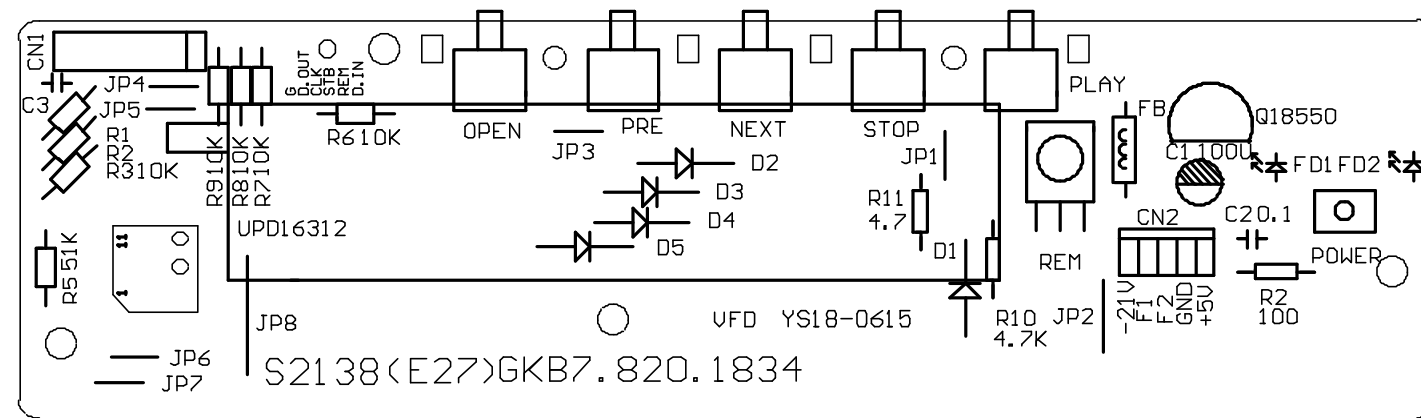
POWER TOP LAYER

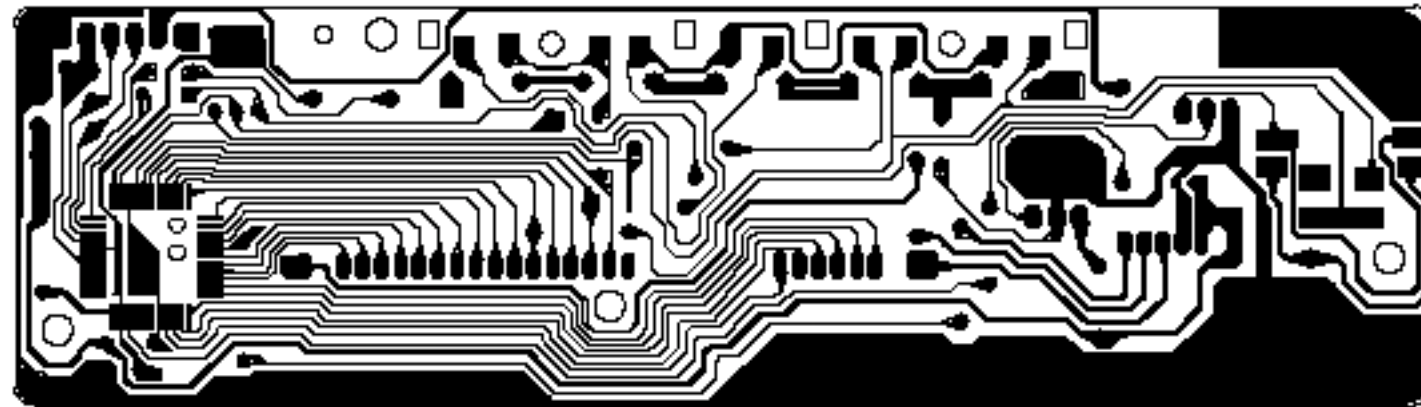


POWER BOTTOM LAYER

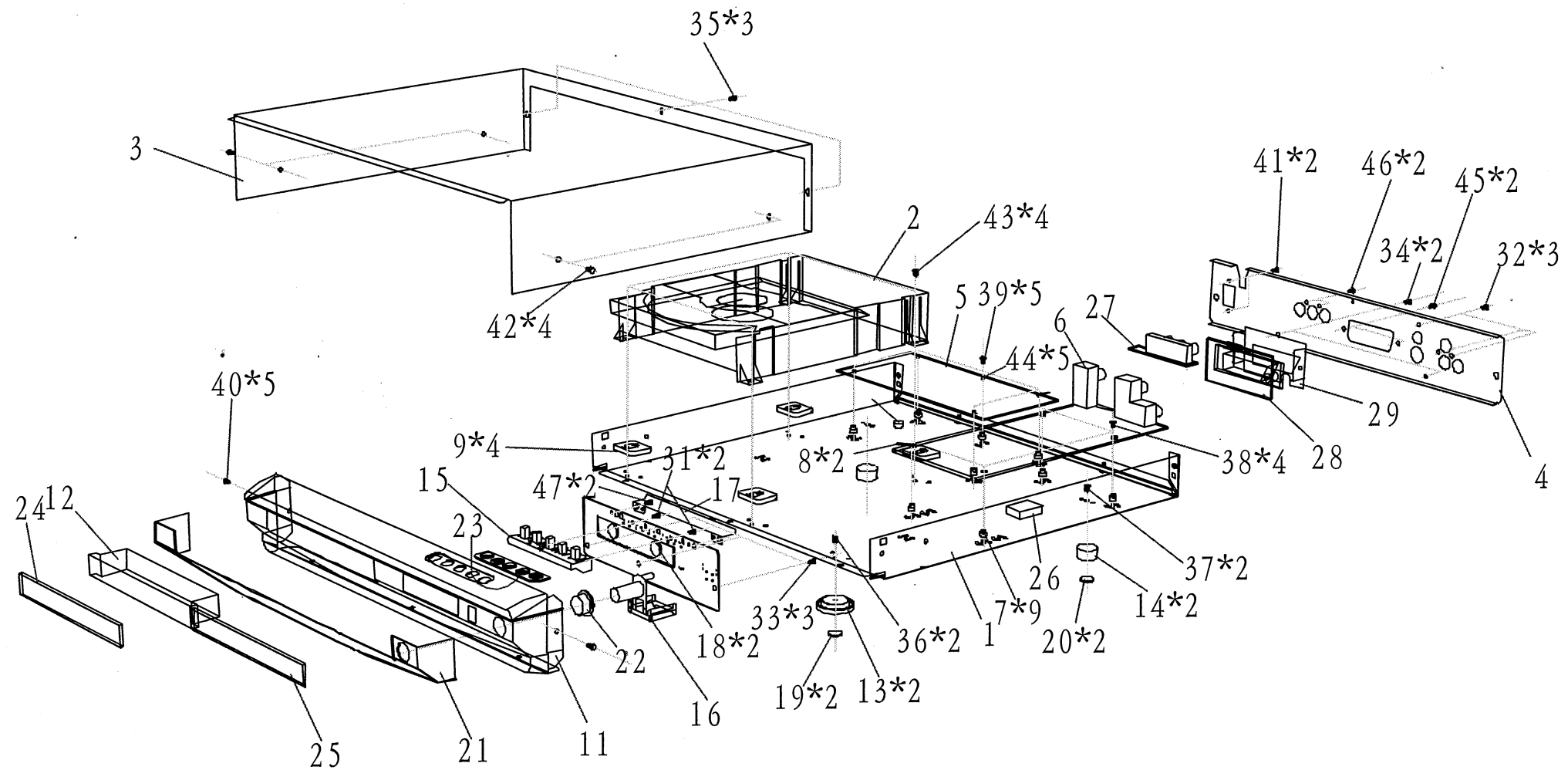








EXPLODED VIEW



PART LIST

No	Code Name	Part name	Qty
1	GKB8.031.236	Bottom cabinet	1
2		Loader	1
3	GKB8.040.252	Top cabinet	1
4	GKB8.040.270	Back cabinet	1
5		Power board	1
6		PCB	1
7	GKB8.078.418	Support pillar	9
8	GKB8.078.420	Fixture cramp	2
9	GKB8.078.460	Loader holder	4
11	GKB8.081.522	Front cabinet	1
12	GKB8.082.194	DVD door	1
13	GKB8.085.149	Unit feet (b)	2
14	GKB8.085.151	Unit feet (s)	2
15	GKB8.335.696	Function key	1
16	GKB8.335.697	Power key	1
17	GKB8.604.178	Metal support	1
18	GKB8.639.189	Screen pad	2
19	GKB8.639.187	Pad (front)	2
20	GKB8.639.188	Pad (back)	2
21	GKB8.640.722	Decorative detail of the front cabinet	1
22	GKB8.640.723	Decorative detail of the power key	1
23	GKB8.640.724	Decorative loop	1
24	GKB8.640.726	Decorative door	1
25	GKB8.640.727	Clarity window	1
26	GKB8.683.223	Rubber pad	1
31	GB845-85	Control board, key Self-tapping screw ST2x6-C-H	2
32	GB845-85	PCB back cabinet (5.1ch) Self-tapping screw ST2.9x9.5-C-H	5
33	GB845-85	Control board, front cabinet, Self-tapping screw ST3x8-F-H	3
34	GB6560-86	Bottom cabinet, back cabinet, Metal self-tapping screw 3x6	2

35		Bottom cabinet, back cabinet, top cabinet	3
36	GB6560-86	Unit feet (B), bottom cabinet Metal self-tapping screw 3x6	2
37	GB6560-86	Unit feet (S), bottom cabinet Metal self-tapping screw 3x8	2
38	GB6560-86	PCB, support pillar, bottom cabinet Metal self-tapping screw 3x16	4
39	GB6560-86	Bottom board, support pillar, power board, Metal self-tapping screw 3x17	5
40	GB6561-86	Bottom cabinet, front cabinet Sinking metal self-tapping screw M3x6	5
41	GB6561-86	Back cabinet, power Sinking metal self-tapping screw M3x6	2
42		Top cabinet, bottom cabinet Metal self-tapping screw M3x6	4
43		Bottom cabinet, loader holder, loader Metal self-tapping screw M3x14	4
44	GB96-85	Power board Pad loop 3	5
45		Back cabinet, SCART board	2
46		Back cabinet, Y.Cb.Cr board	2
47		Control board, front cabinet, support pillar	2