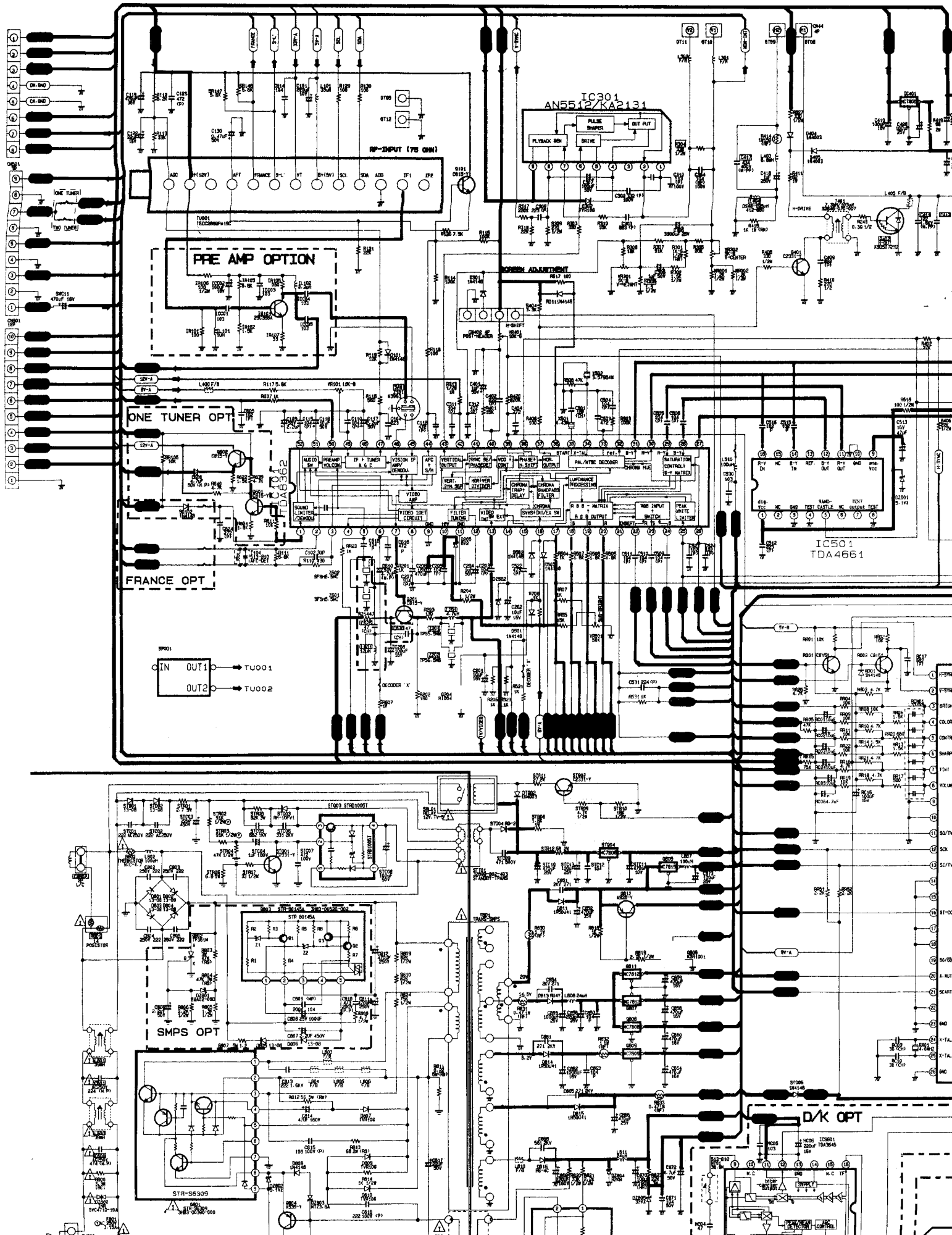
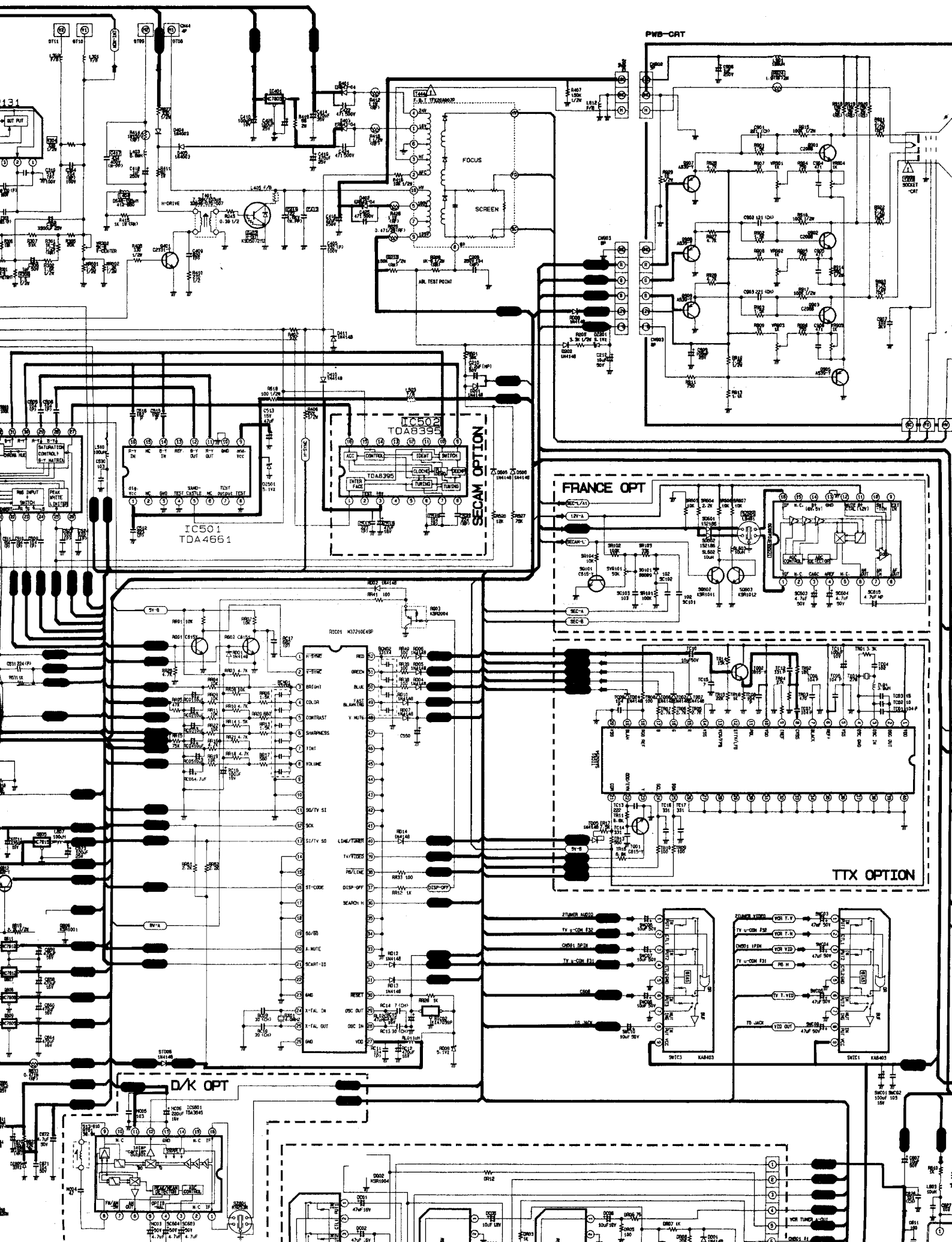
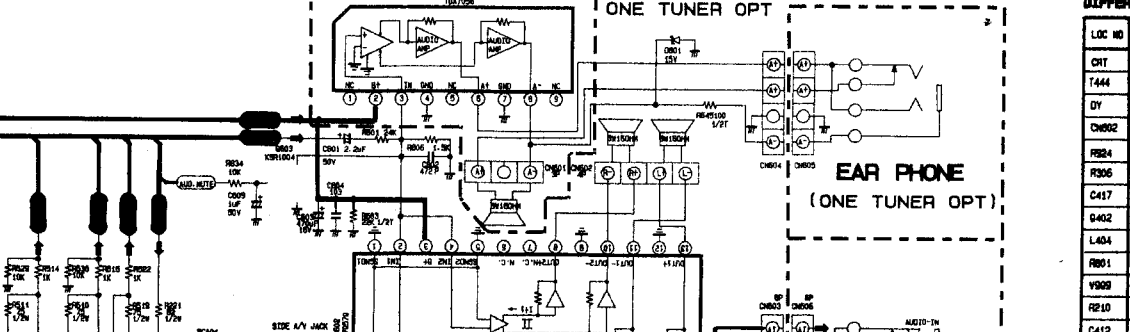
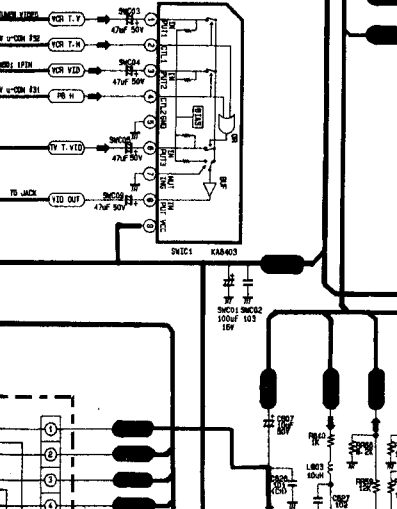
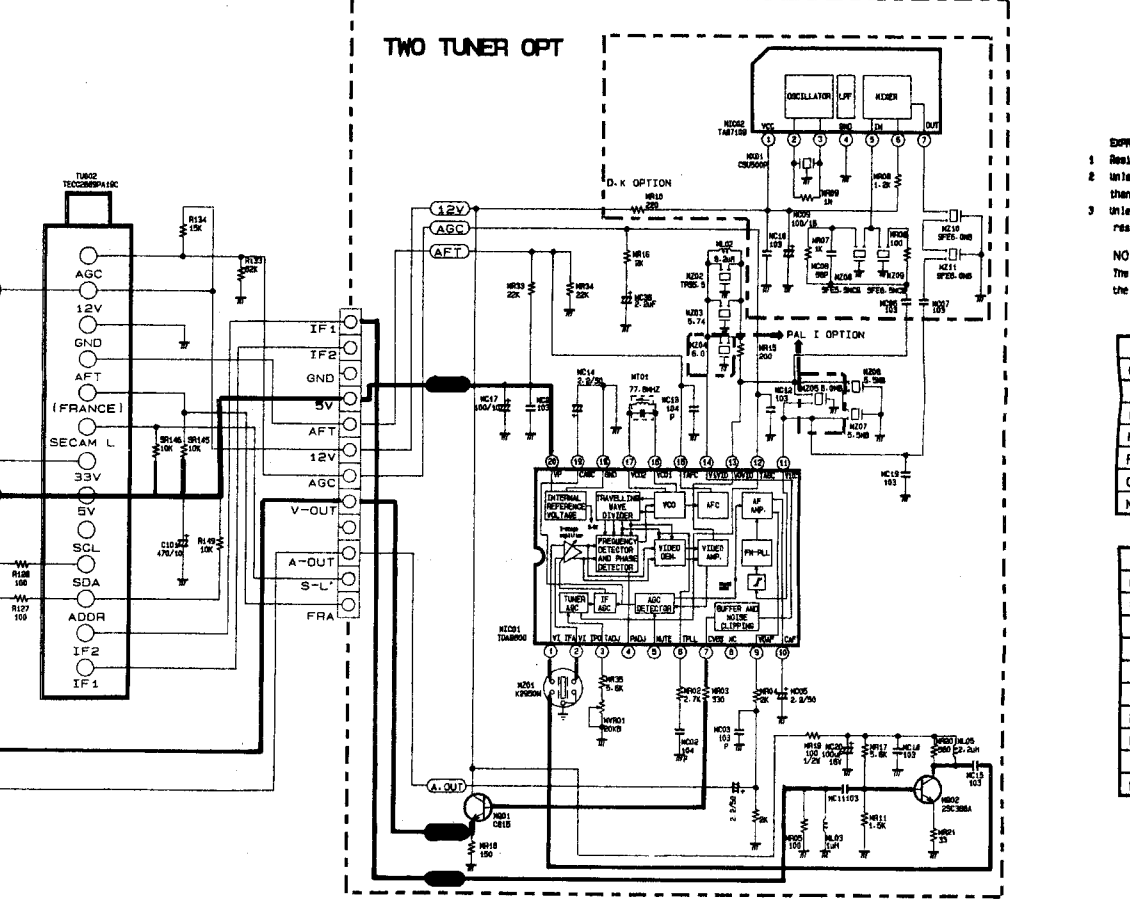
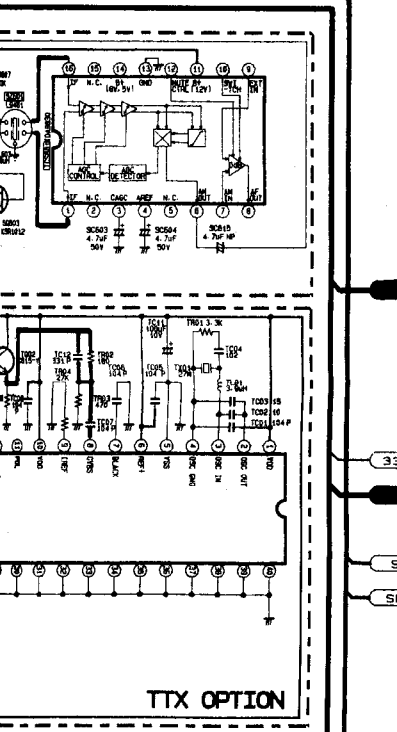
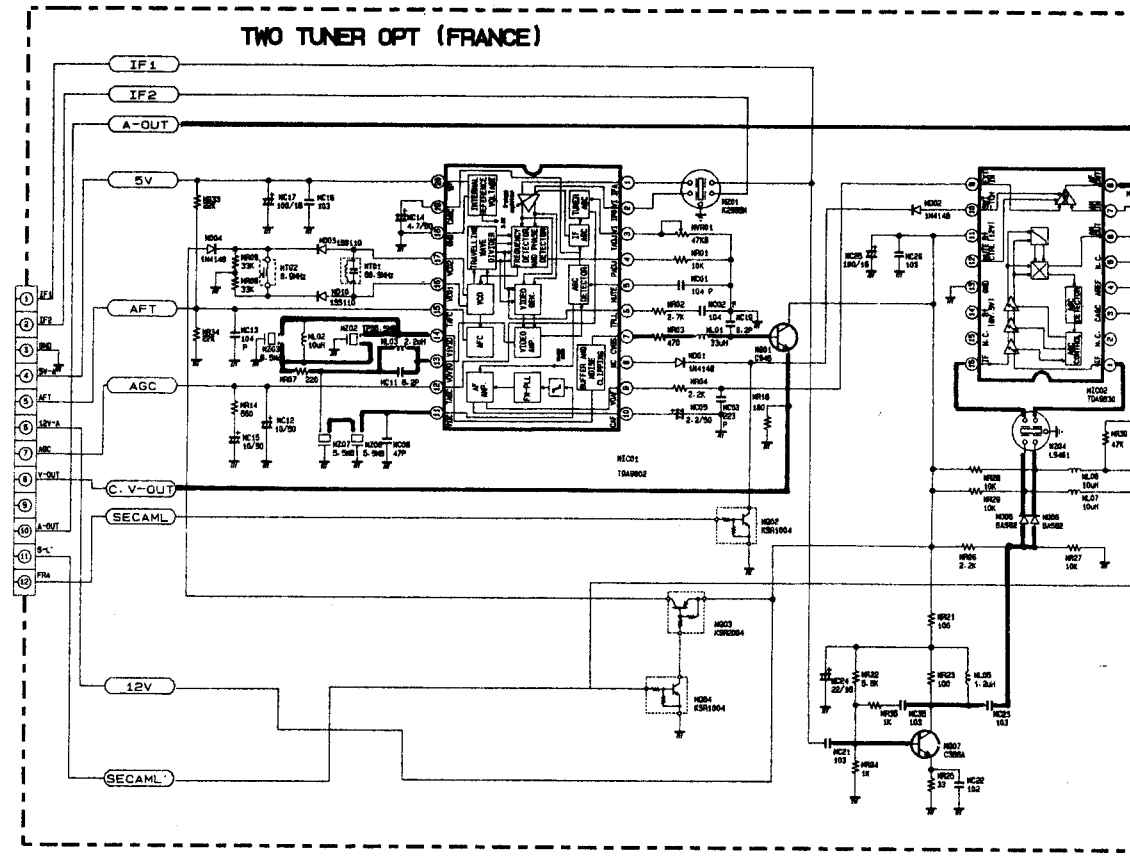
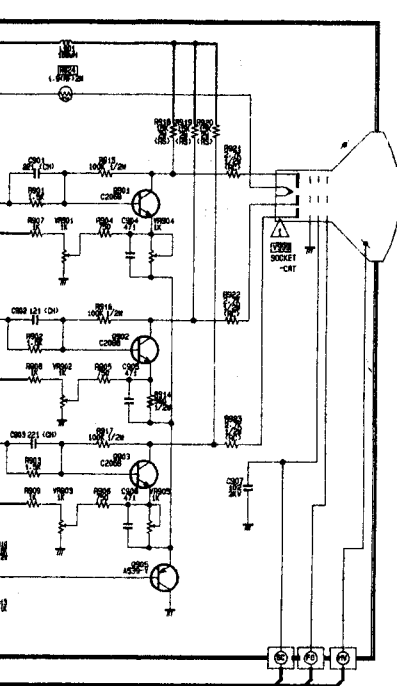


SCHEMATIC DIAGRAM

CHASSIS: PS-14
MODEL: TVP-5370, TVP-5070, TVP-3370
BOARD NAME: MAIN
SYSTEM: PAL, SECAM, NTSC4, 43, NTSC3, 58 (MVP)







- 1 Resist
 - 2 unless
 - 3 unless
- reases
- NOTE
- The ci
- the pl

Ca

Co

Me

Me

Fu

Ne

Ca

Co

Me

Me

Po

Po

Me

M.

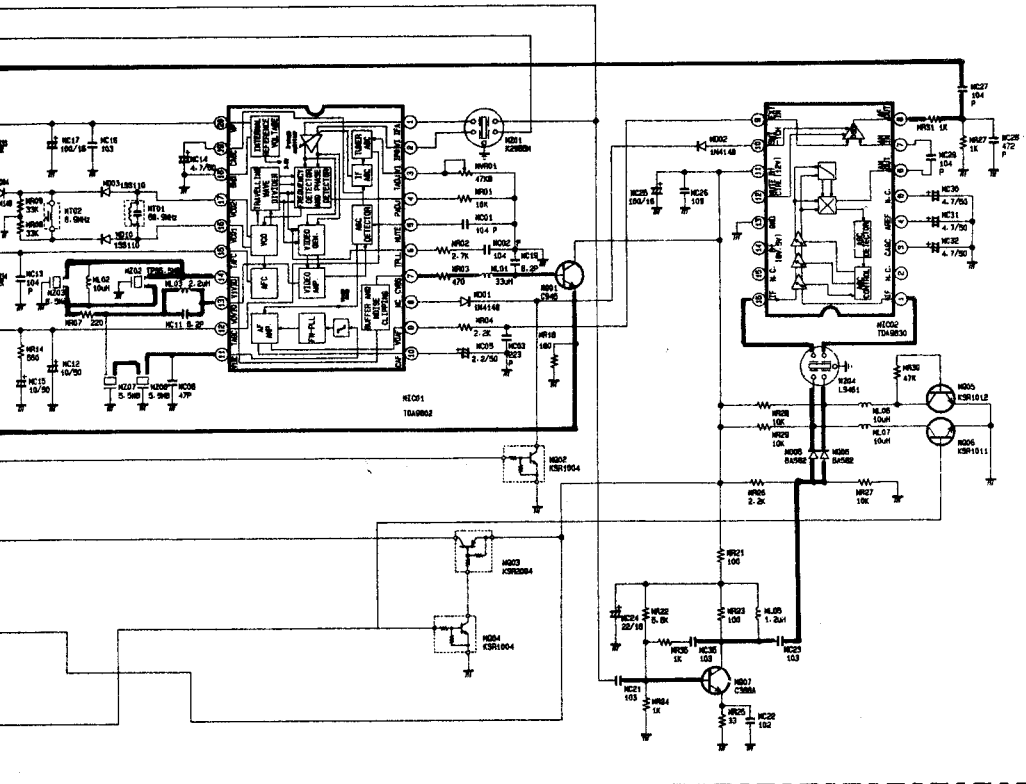
Ta

NO

DIFFEREN

LOC NO	1
CR1	AS
T444	F
DY	D2
CR2	3
R24	14
R26	L
C417	4
Q402	2
L404	2
R201	2
V200	M
RE10	M
C412	2
C414	2

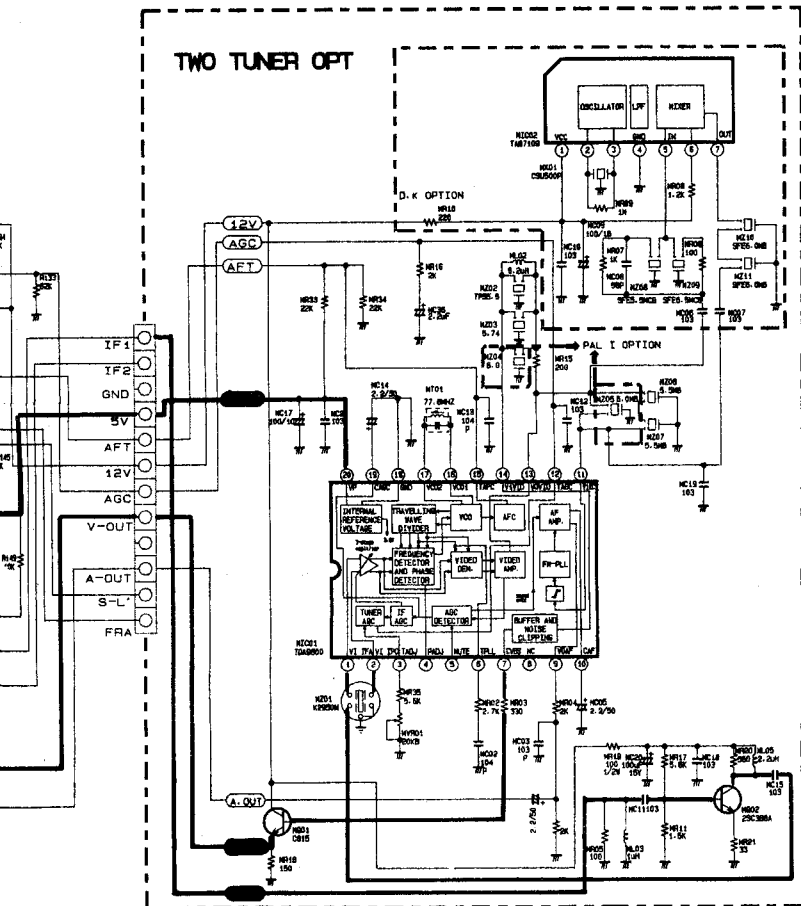
TWO TUNER OPT (FRANCE)



DIFFERENT PARTS FOR SYSTEM

LOC NO	PAL/SECAM -D-D-K	PAL/SECAM -S-S	PAL-B/G	PAL-I	SECAM-L
L102					
Z101					
C025					
C030					
L001					
Z001					
Z002					
L201					
Z201					
IC002					
C517					
C518					
C519					
C520					
L601					
L601					

TWO TUNER OPT



EXPRESSION

- 1 Resistance is shown on K=1,000 M=1,000,000
- 2 Unless otherwise noted in schematic all capacitor values less than 1 are expressed in uF, the values more than 1 in pF.
- 3 Unless otherwise noted in schematic all inductor values are expressed in uH and the values less than 1 in mH.

NOTE

The circuits are subject to change without notice to improve the picture quality.

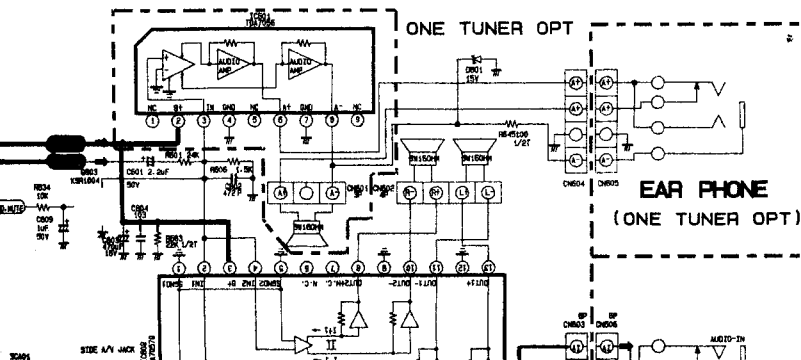
RESISTOR

Carbon	No Mark
Composition	(C)
Metal Oxide	(R)
Metal Film	(F)
Fusible	(FF)
Cement Wire	(RW)
Network	(RN)

CAPACITOR

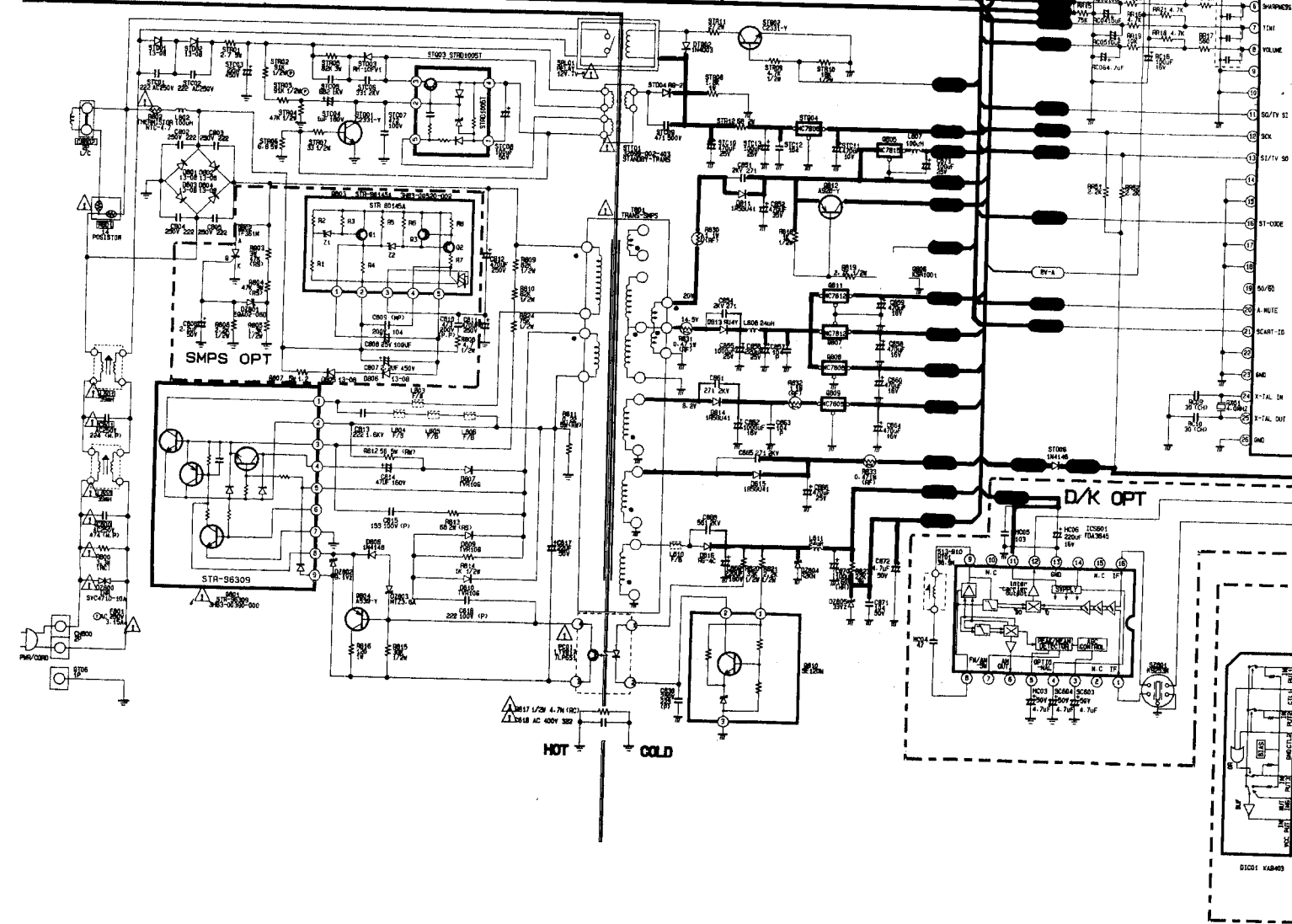
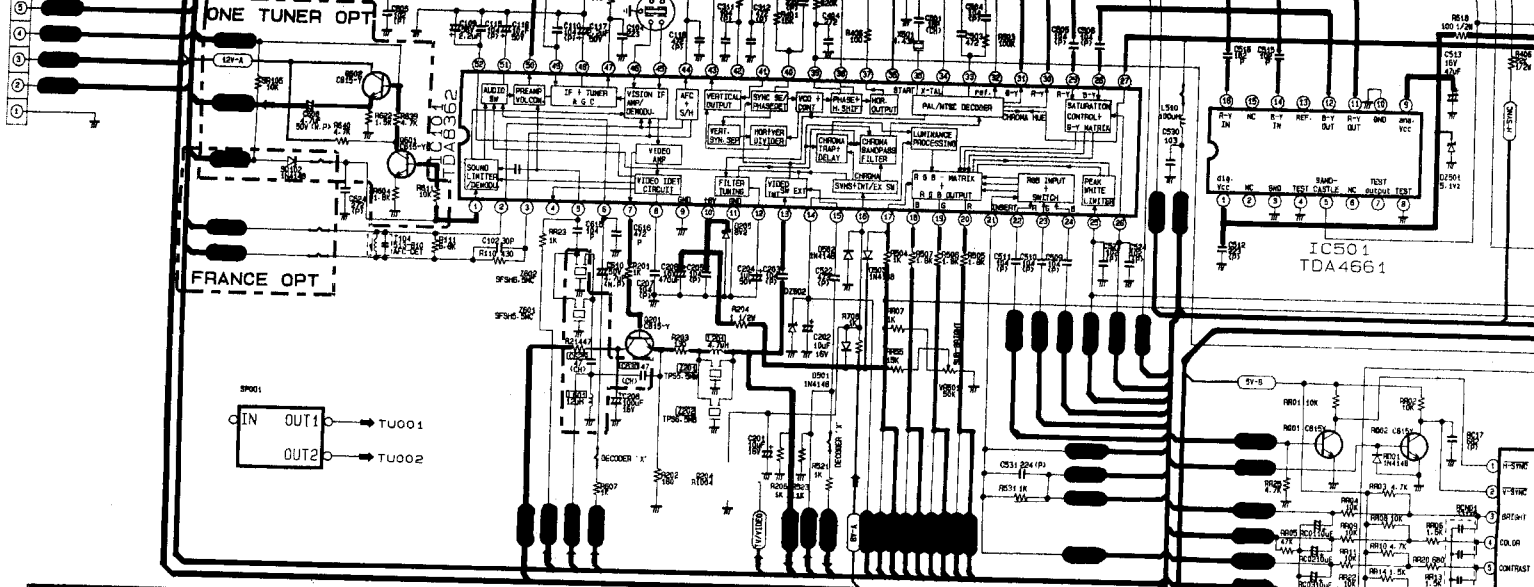
Ceramic - SL	No Mark
Ceramic - RH	(RH)
Ceramic - CH	(CH)
Polyester (Induct)	(P)
Polyester (Noninduct)	(NP)
Polypropylene	(PP)
Metal Polyester	(MP)
M. P. Polypropylene	(MPP)
Tantalum	(T)
Non Polar	(NP)

ONE TUNER OPT

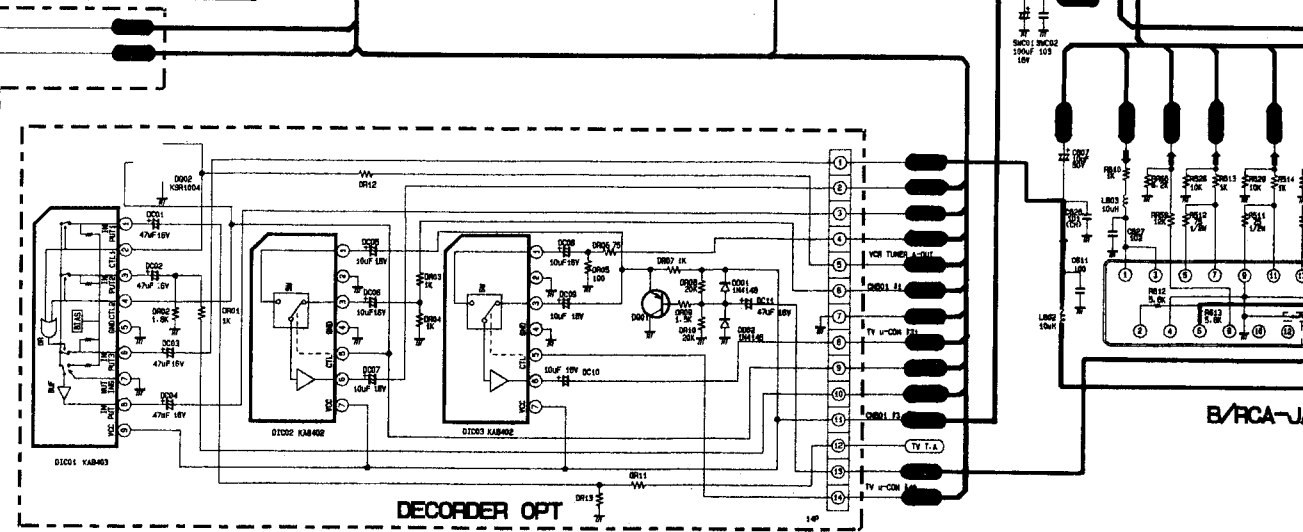
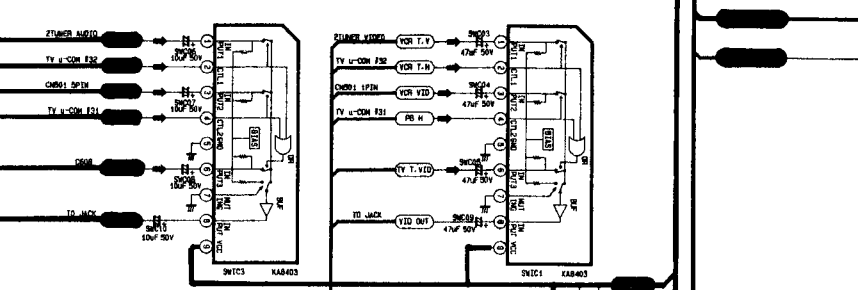
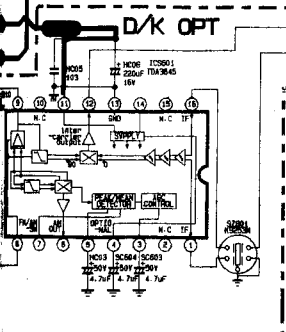
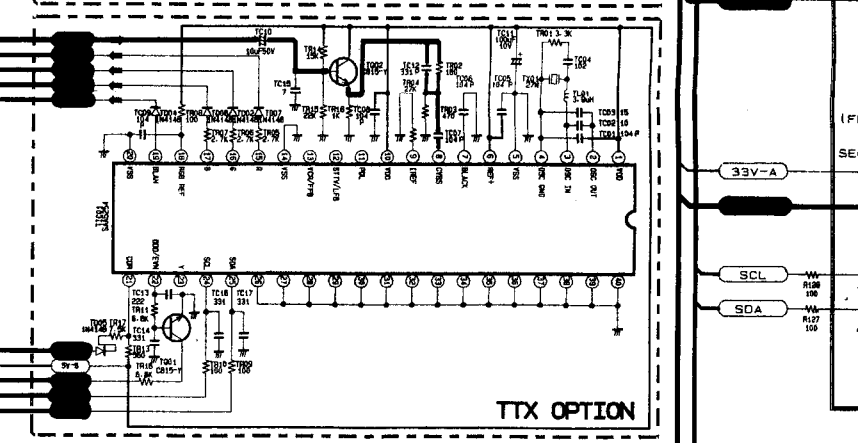
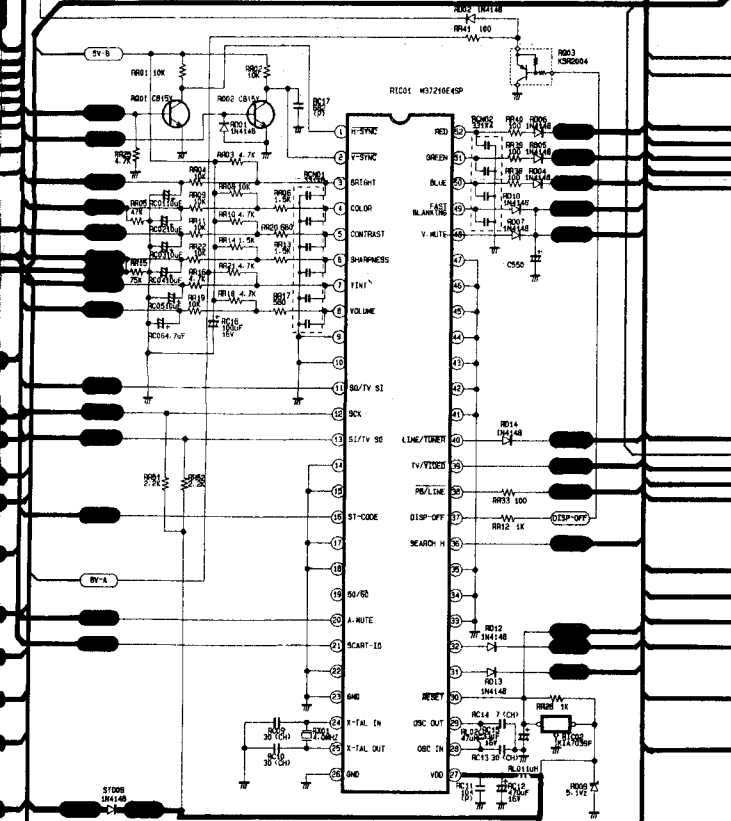
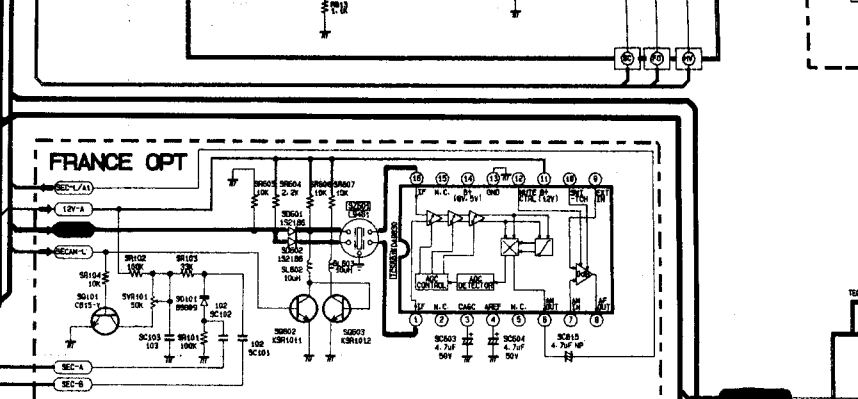
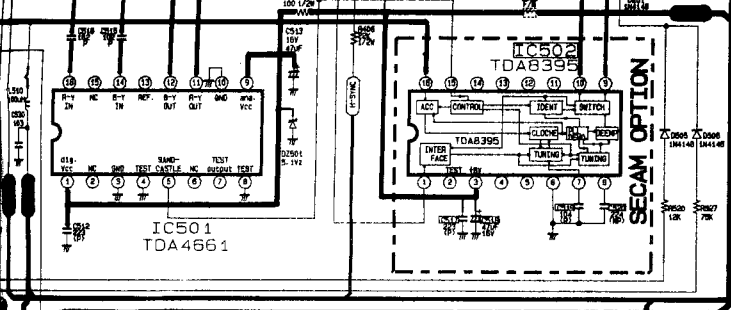


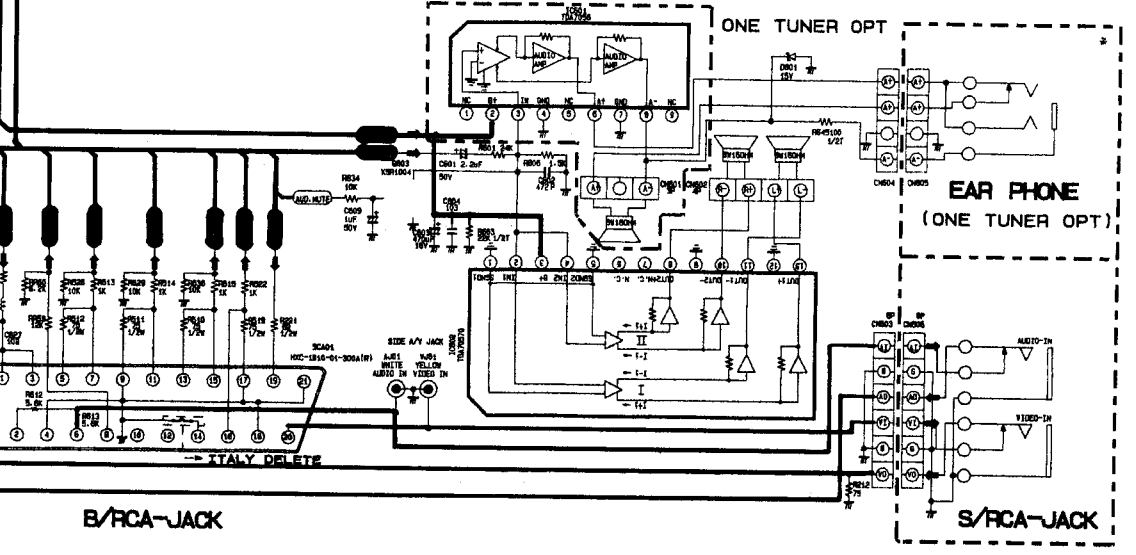
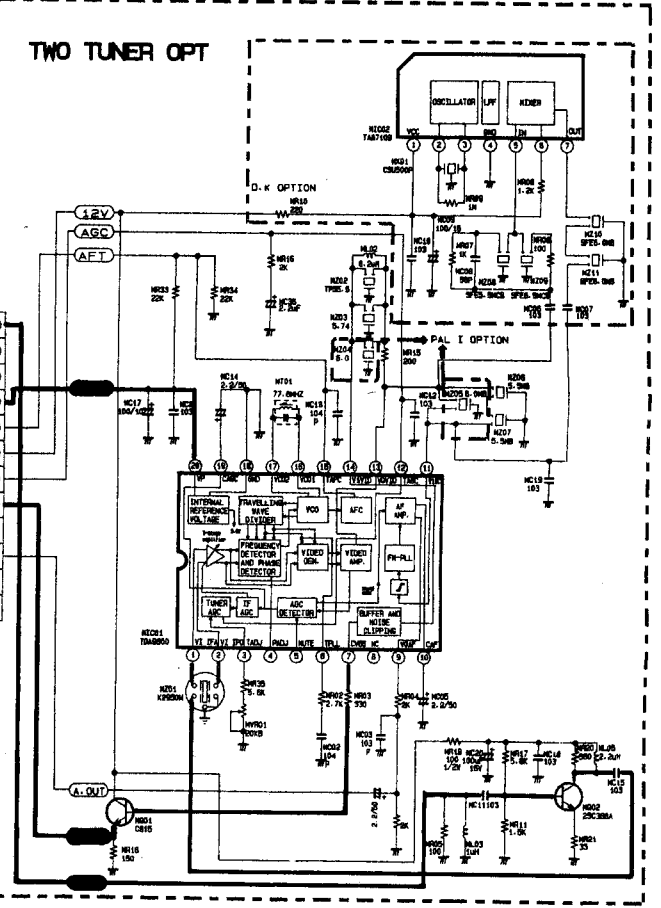
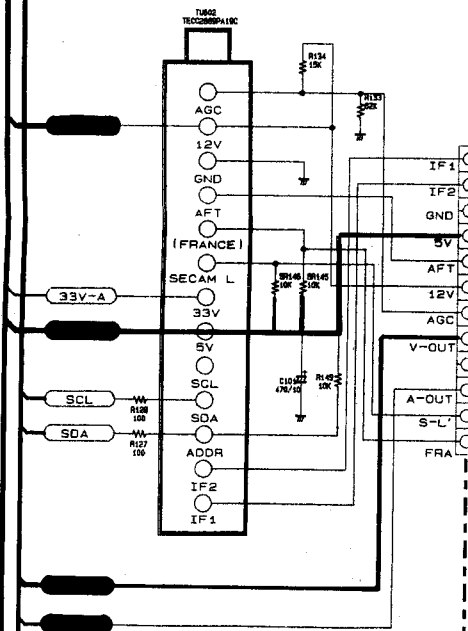
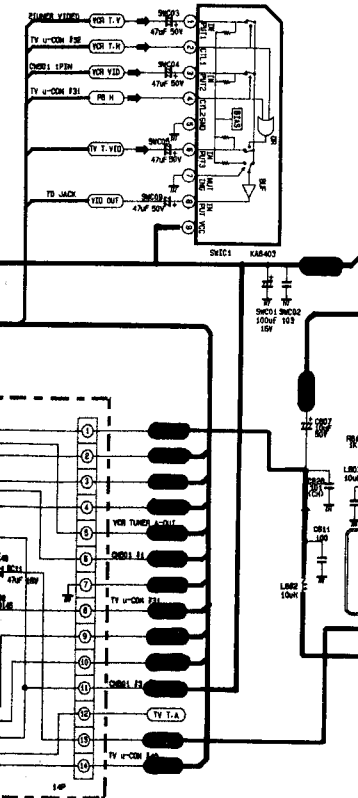
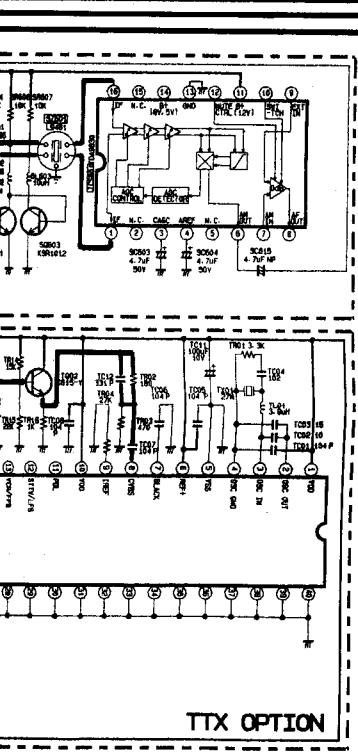
DIFFERENT PARTS FOR INCH

LOC NO	14 INCH NINI-MEOK	20 INCH	21 INCH
CRT	A34K0V42X	A4K0R02X	A51K0R2X
T444	FTK14A004P	FTK20A007P	FTK20A007P
DY	DSE-1422FL	DSE-1992LL	DSE-2192LL
CH002	32479-029-300	32479-029-330	32479-029-340
R024	1W 1	2W 1.9	2W 1.9
R006	1/2W 2.2	1/2W 1.5	1/2W 1.5
C417	400V 384	400V 434(NP)	400V 434(NP)
G402	ZSD1050	KSD5072TD	KSD5072TD
L404		195H	195H
R001	2C1BR	14HS	14HS
Y009	HE-22.5A	HF 25.15	HF 25.15
R210	1/2W 150K-F	1/2W 150K-F	1/2W 150K-F
C412		2KV 001	



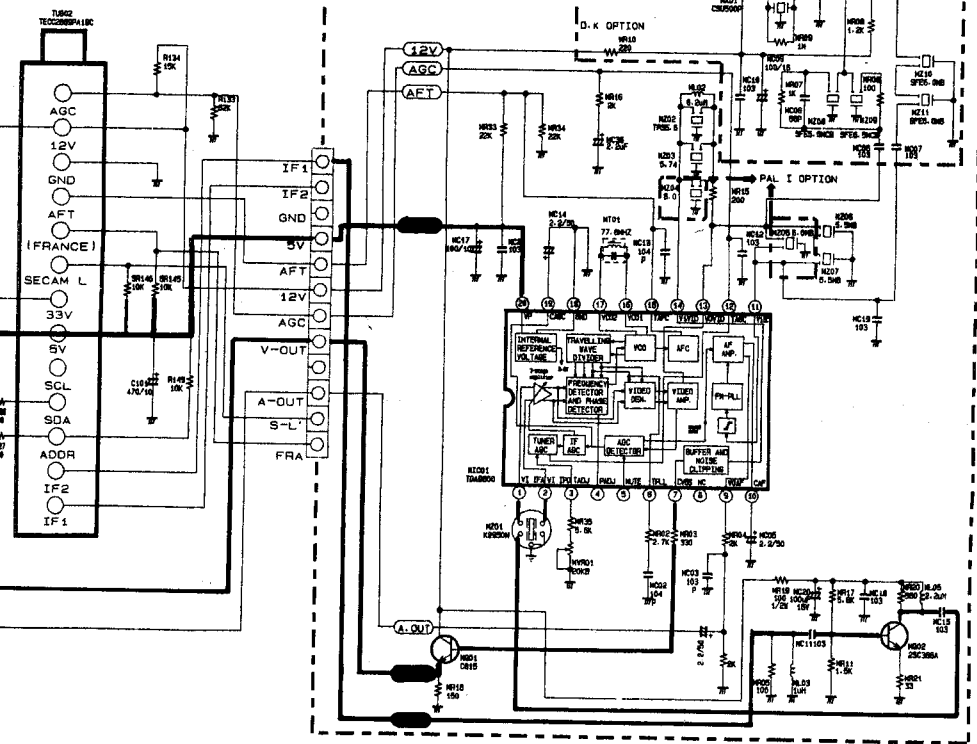
81001 K4803





100
101
102
103
104
105
106
107
108
109
110
111
112
113
114
115
116
117
118
119
120
121
122
123
124
125
126
127
128
129
130
131
132
133
134
135
136
137
138
139
140
141
142
143
144
145
146
147
148
149
150
151
152
153
154
155
156
157
158
159
160
161
162
163
164
165
166
167
168
169
170
171
172
173
174
175
176
177
178
179
180
181
182
183
184
185
186
187
188
189
190
191
192
193
194
195
196
197
198
199
200

TWO TUNER OPT



EXPRESSION

- 1 Resistance is shown ohm $\times 10^3$ or 10^6 unless otherwise noted in schematic all capacitor values less than 1 are expressed in μ f; the values more than 1 in μ f.
- 2 Unless otherwise noted in schematic all inductor values are expressed in μ H and the values less than 1 in mH.

NOTE

The circuits are subject to change without notice to improve the picture quality.

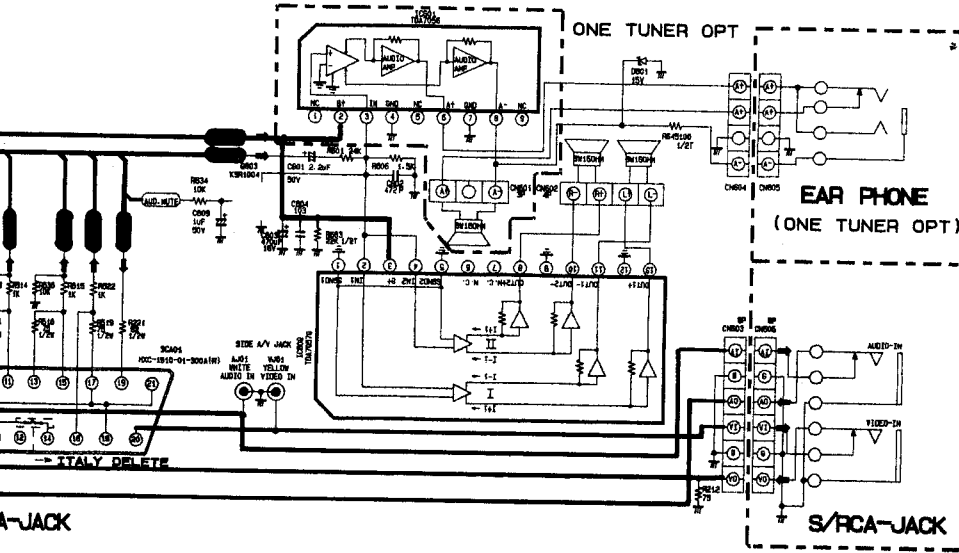
RESISTOR

Carbon	NO MARK
Composition	(CR)
Metal Oxide	(RS)
Metal Film	(RM)
Fusible	(RF)
Cement Wire	(RW)
Network	(RN)

CAPACITOR

Ceramic - SL	NO MARK
Ceramic - RH	(RH)
Ceramic - CH	(CH)
Polyester (Induct)	(P)
Polyester (Noninduct)	(PN)
Polypropylene	(PP)
Metal Polyester	(MP)
M.P. Polypropylene	(MPP)
Tantalum	(T)
Non Polar	(NP)

ONE TUNER OPT



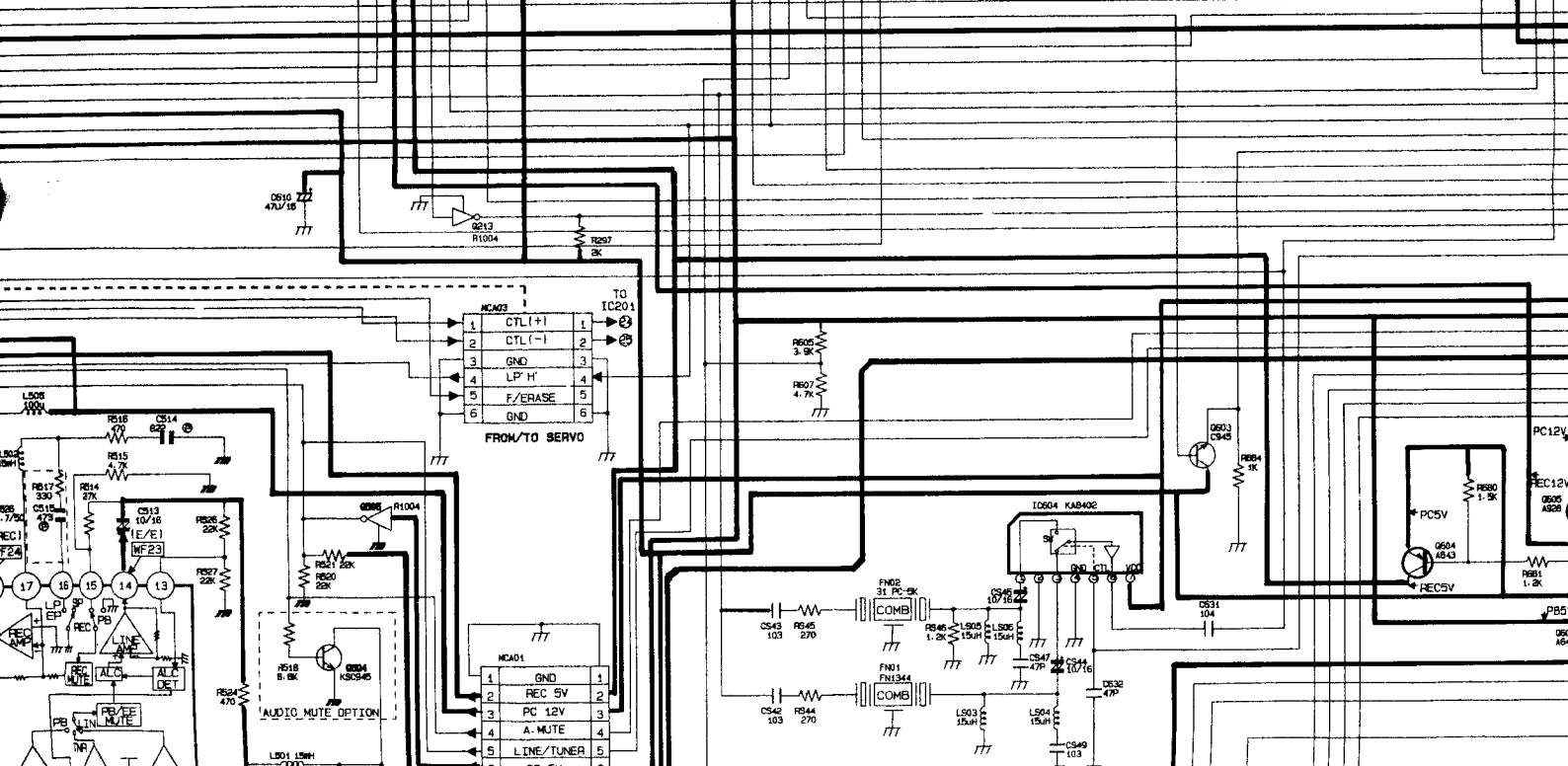
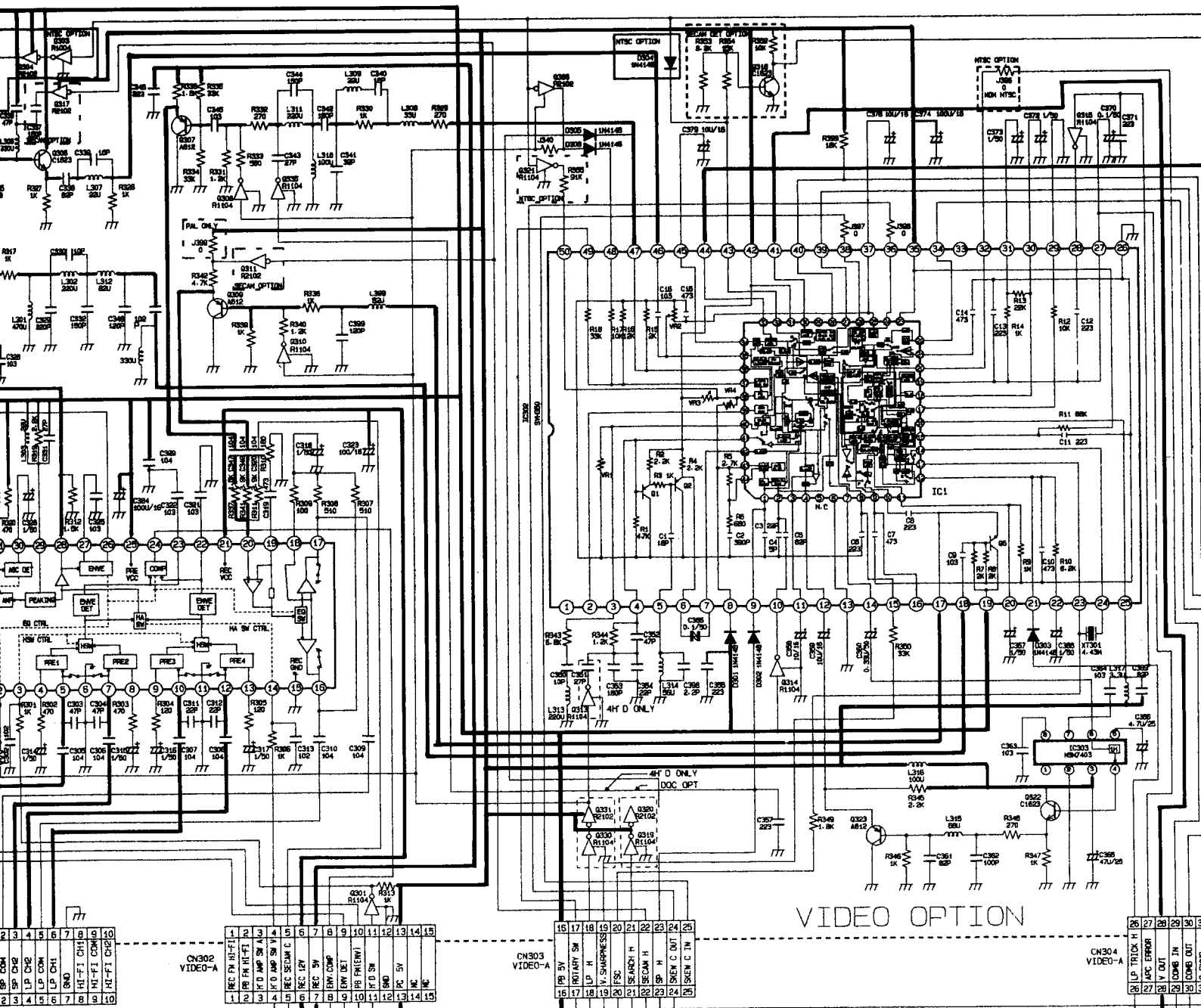
DIFFERENT PARTS FOR INCH

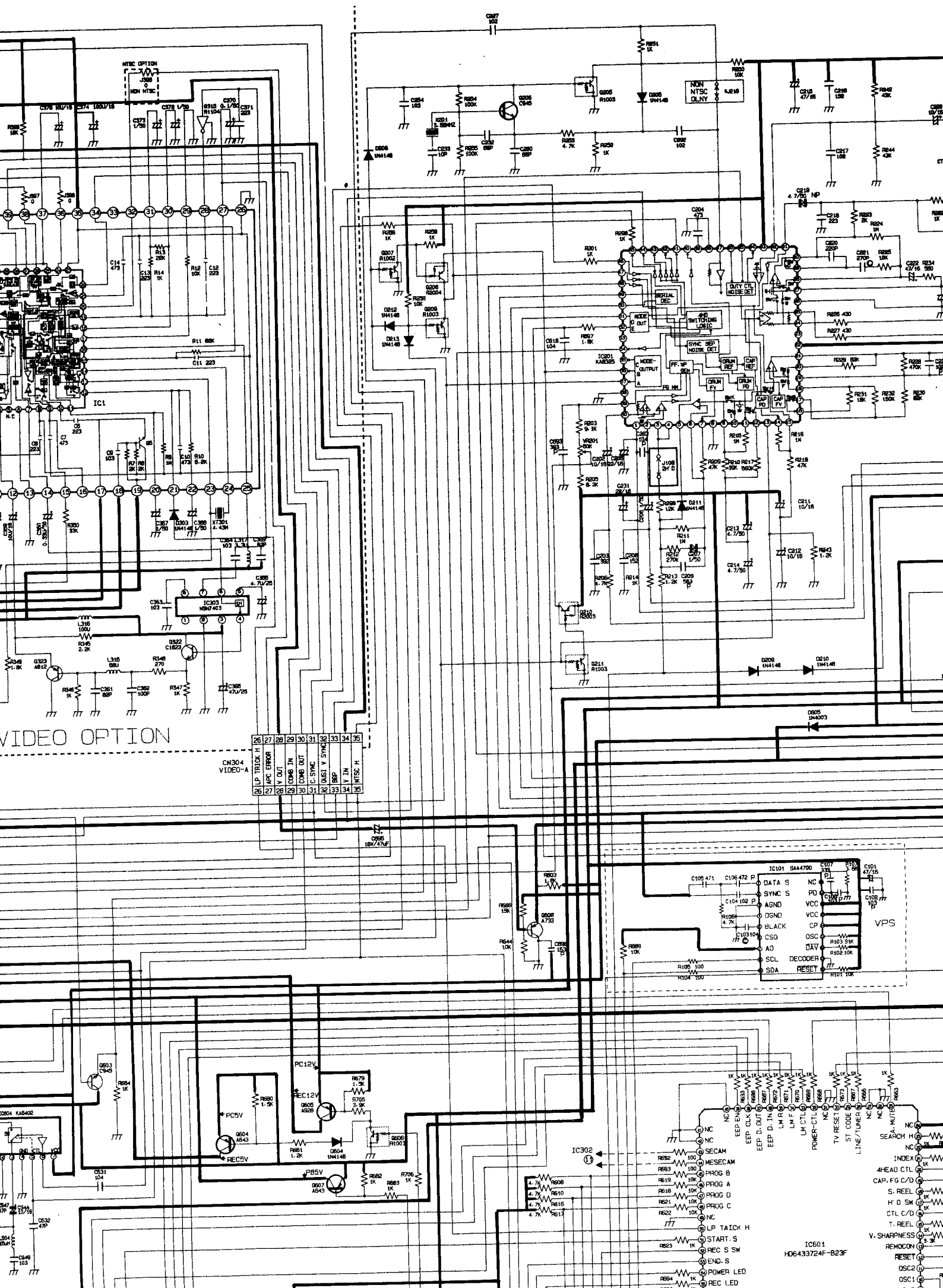
LOC NO	14 INCH RIMT-MEXX	20 INCH	21 INCH
CRT	A34M042X	A48R022X	A51KR023X
T444	FTK14A007P	FTK20A007P	FTK21A007P
DY	DSE-1482FL	DSE-1982LL	DSE-2182SL
CH002	32479-029-300	32479-029-330	32479-029-340
R024	1W 1	2W 1.9	2W 1.9
R306	1/2W 2.2	1/2W 1.5	1/2W 1.5
C417	400V 30A	400V 434(MP)	400V 434(MP)
Q402	2SD1050	K805072TD	K805072TD
L404	1.95H	1.95H	1.95H
R001	2C10R	14H3	14H3
Y009	HF-22.5A	HF 29.13	HF 29.18
R210	1/2W 150K-F	1/2W 150K-F	1/2W 150K-F
C412		2KV 651	
C411	1.6KV 722		1.6KV 722 (MPP)
PC8		30029-0118-000	30029-0118-000
R304	1/2W 680	1/2W 680	1/2W 330
R006	1/8W 1.3K	1/8W 1.5K	1/8W 1.5K

A-JACK

EAR PHONE
(ONE TUNER OPT)

S/RCA-JACK





NTSC OPTION

NON NTSC DELAY

VIDEO OPTION

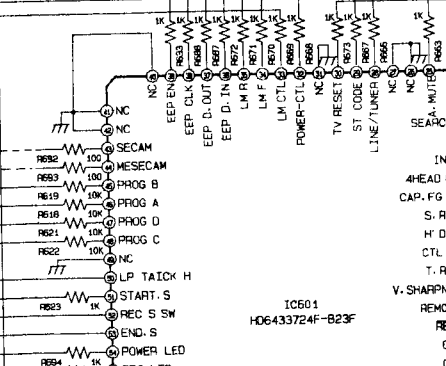
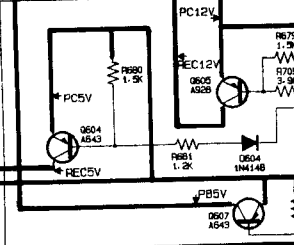
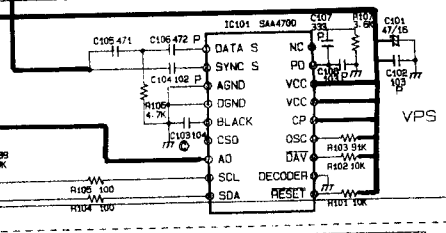
26	27	28	29	30	31	32	33	34	35
LP TRICK H	V OUT	COMB IN	COMB OUT	C SYNC	QUEST V SYNC	BBP	V IN	MTSC H	
CN304 VIDEO-A									

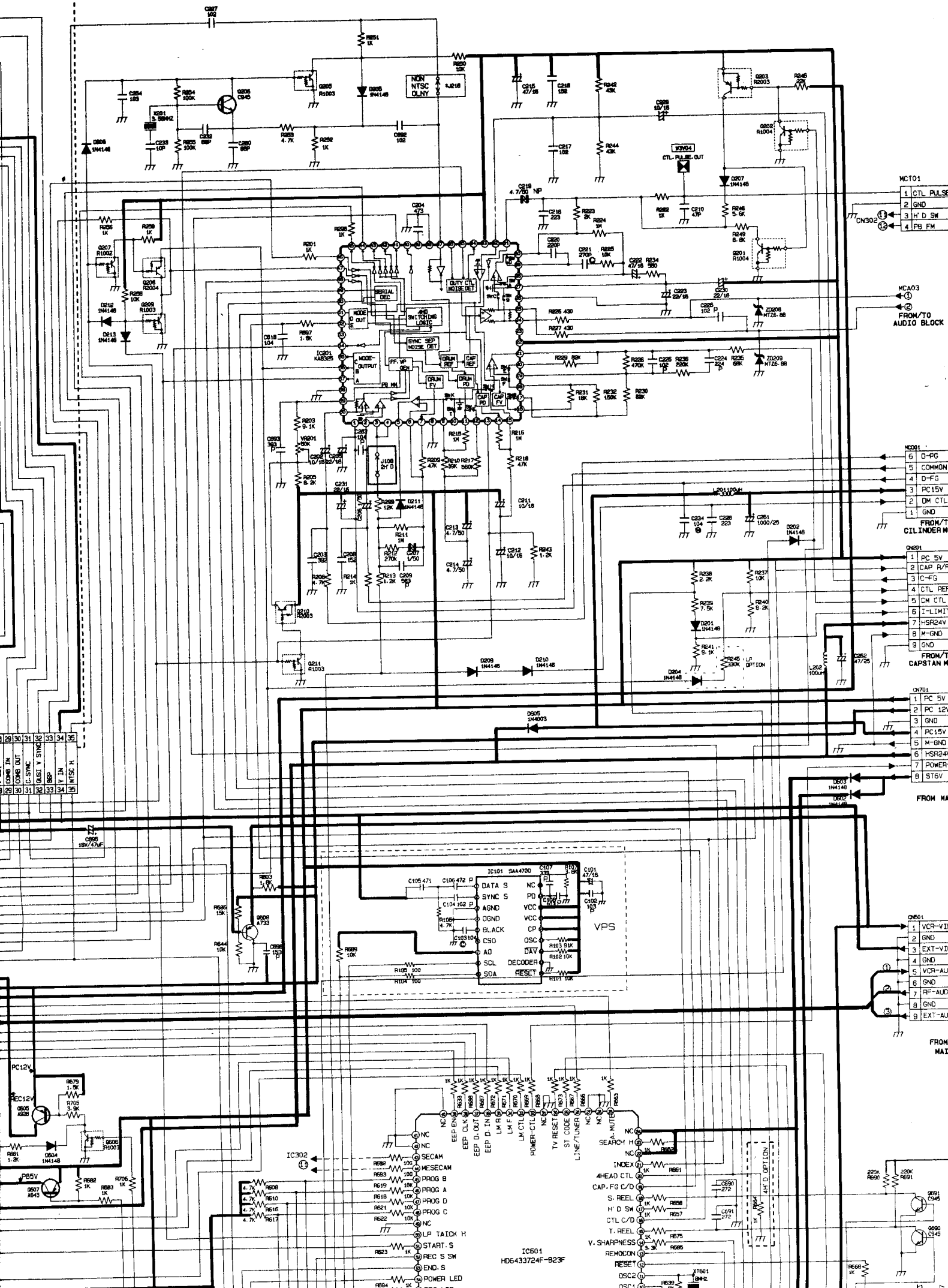
VPS

IC601
H06433724F-B23F

IC504 KA8402

IC302





- MCT01
- 1 CTL PULSE
- 2 GND
- 3 H'D SW
- 4 PB FM

- MCA03
- FROM/T/O AUDIO BLOCK

- MCO01
- 6 D-PG
- 5 COMMON
- 4 D-FG
- 3 PC15V
- 2 DM CTL
- 1 GND

- FROM/T/O CILINDER MO...
- D001
- 1 PC 5V
- 2 CAP R/F
- 3 C-FG
- 4 CTL REF
- 5 CM CTL
- 6 I-LIMIT
- 7 HSR24V
- 8 M-GND
- 9 GND

- FROM T/O CAPSTAN MO...
- D002
- 1 PC 5V
- 2 PC 12V
- 3 GND
- 4 PC15V
- 5 M-GND
- 6 HSR24V
- 7 POWER-GND
- 8 ST6V

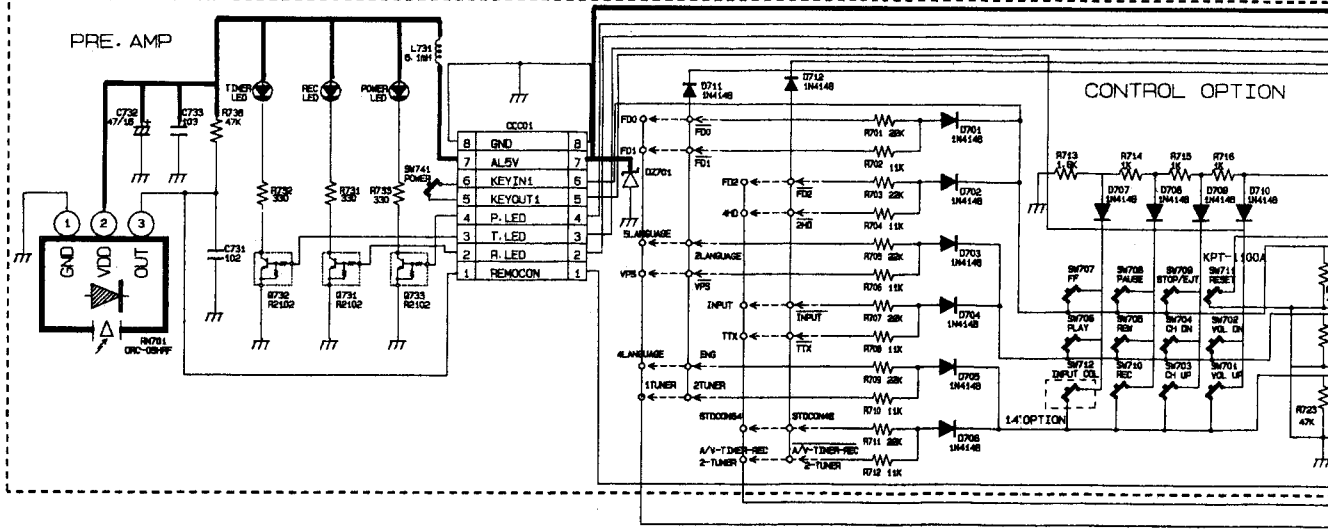
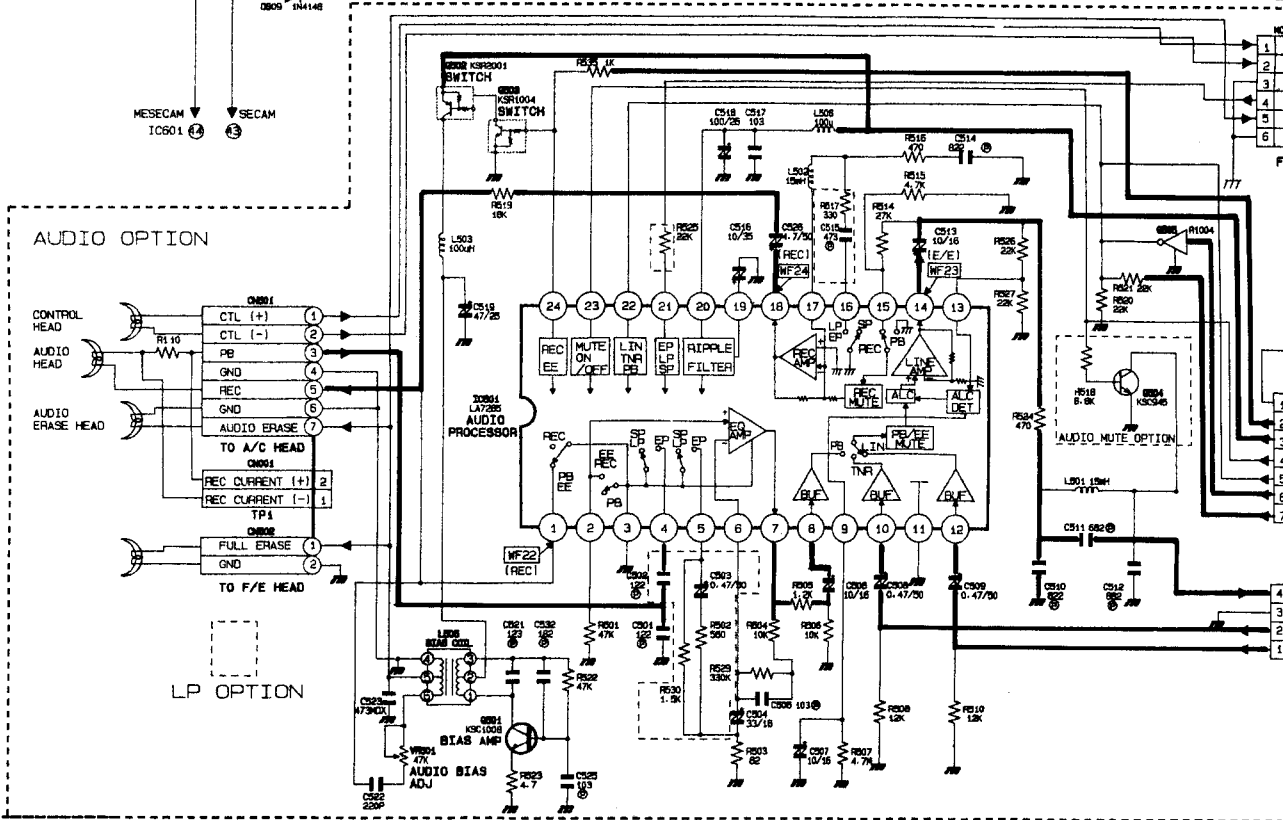
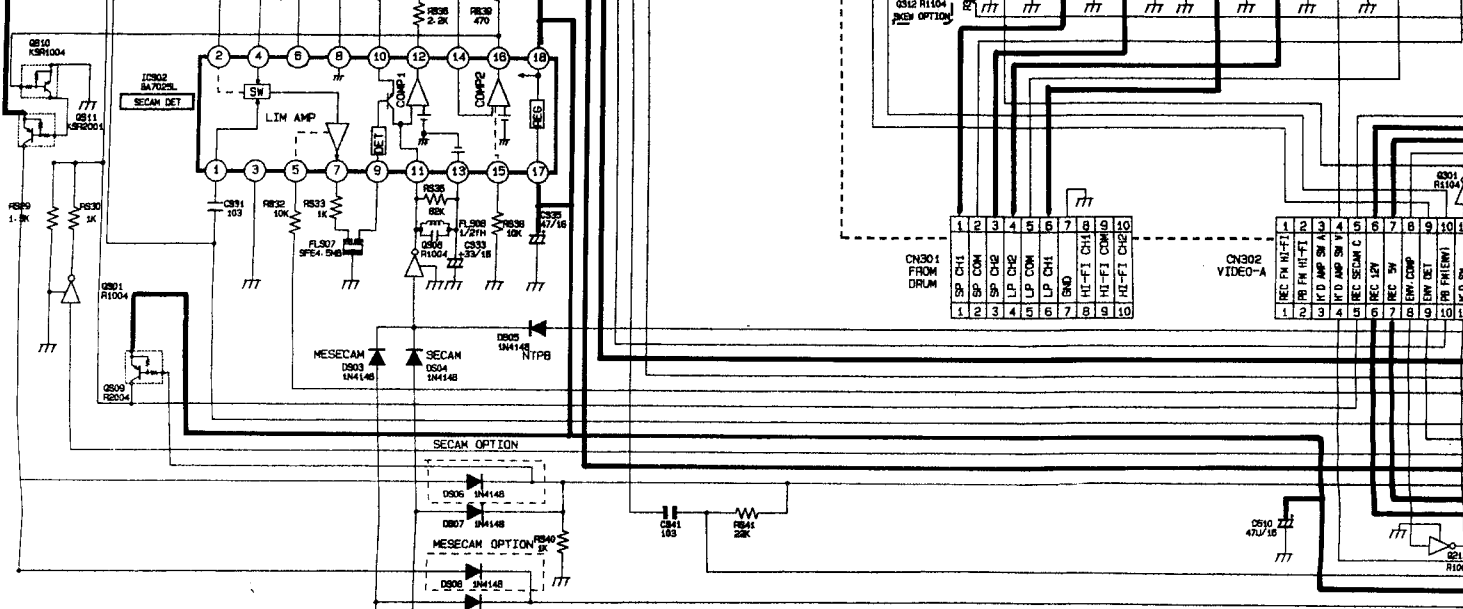
FROM NA...

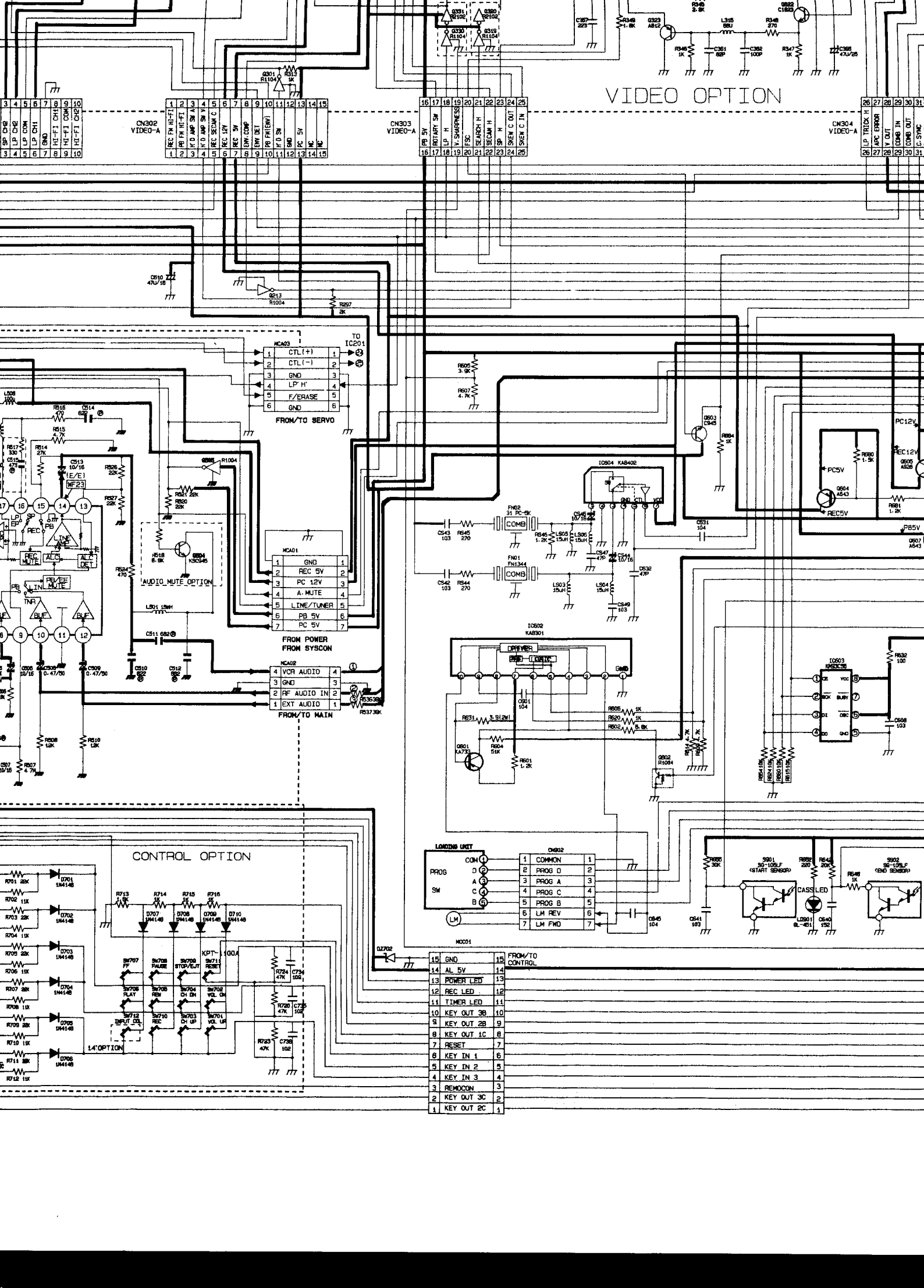
- D001
- 1 VCR-VID
- 2 GND
- 3 EXT-VID
- 4 GND
- 5 VCR-AUD
- 6 GND
- 7 RF-AUD
- 8 GND
- 9 EXT-AUD

FROM MAIN...

- REC12V
- PC12V
- REC12V
- PC12V

IC601 HD6433724F-823F





VIDEO OPTION

CN302 VIDEO-A

1	REC PA HI-FI
2	REC PA HI-FI
3	REC PA HI-FI
4	REC PA HI-FI
5	REC PA HI-FI
6	REC PA HI-FI
7	REC PA HI-FI
8	REC PA HI-FI
9	REC PA HI-FI
10	REC PA HI-FI

CN303 VIDEO-A

16	RE 5V
17	RE 5V
18	RE 5V
19	RE 5V
20	RE 5V
21	RE 5V
22	RE 5V
23	RE 5V
24	RE 5V
25	RE 5V

CN304 VIDEO-A

26	LP TRLOCK
27	LP TRLOCK
28	LP TRLOCK
29	LP TRLOCK
30	LP TRLOCK
31	LP TRLOCK
32	LP TRLOCK
33	LP TRLOCK
34	LP TRLOCK
35	LP TRLOCK

IC201

1	CTL(+)
2	CTL(-)
3	GND
4	LP H
5	F/ERASE
6	GND

IC202

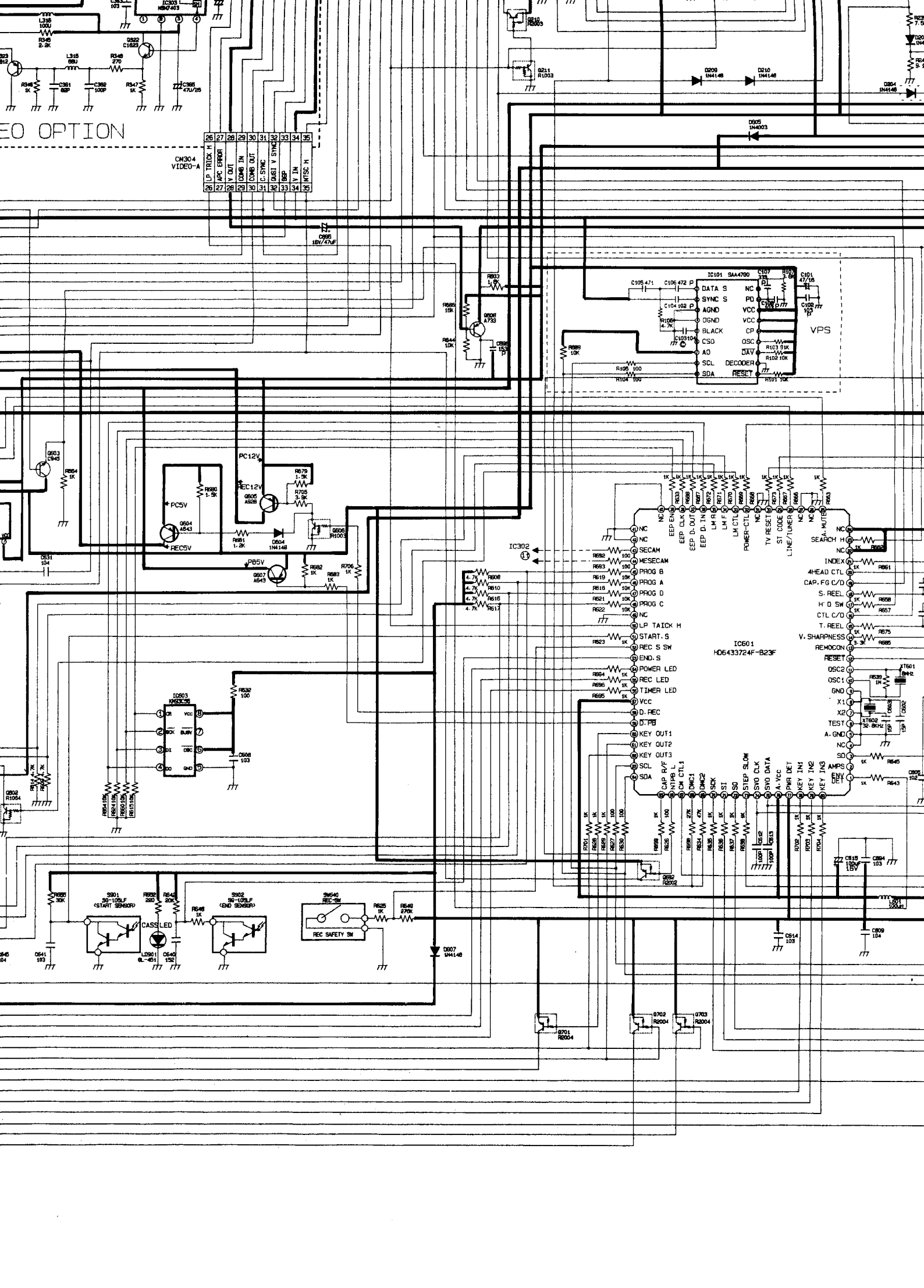
4	VCR AUDIO
3	GND
2	RF AUDIO IN
1	EXT AUDIO

LOADING UNIT

1	COMMON
2	PROG D
3	PROG A
4	PROG C
5	PROG B
6	LH REV
7	LH FWD

FROM/TO CONTROL

15	GND
14	AL 5V
13	POWER LED
12	REC LED
11	TIMER LED
10	KEY OUT 3B
9	KEY OUT 2B
8	KEY OUT 1C
7	RESET
6	KEY IN 1
5	KEY IN 2
4	KEY IN 3
3	REMOCON
2	KEY OUT 3C
1	KEY OUT 2C

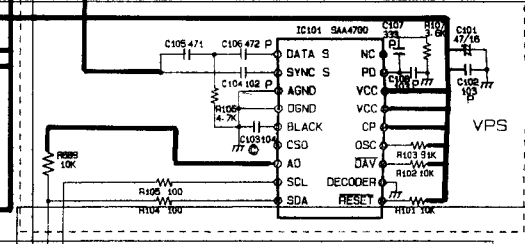


VIDEO OPTION

26	UP TRICK H
27	APC ERROR
28	V OUT
29	CODE IN
30	CODE OUT
31	C SYNC
32	QUST V SYNC
33	V IN
34	NTSC H
35	

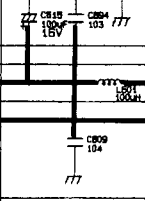
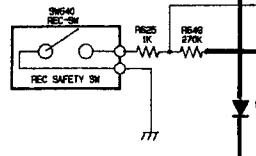
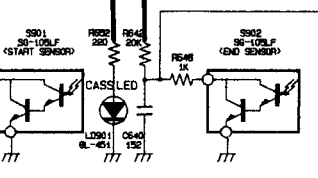
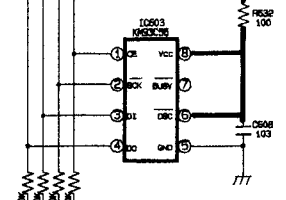
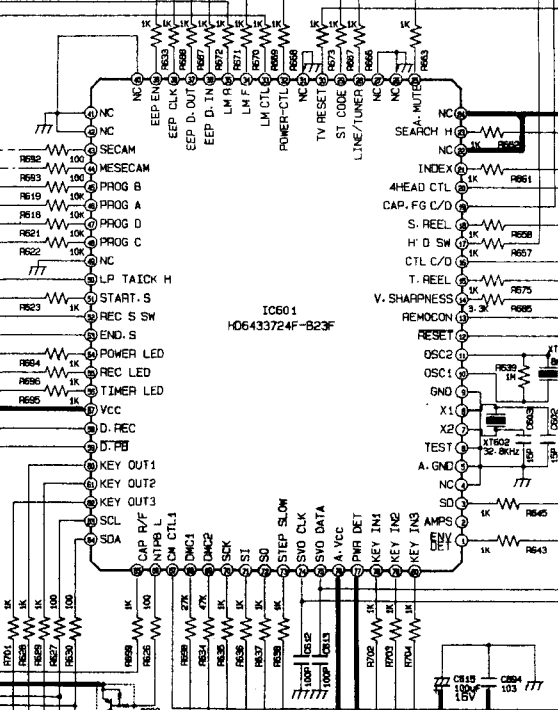
IC303
HA91453

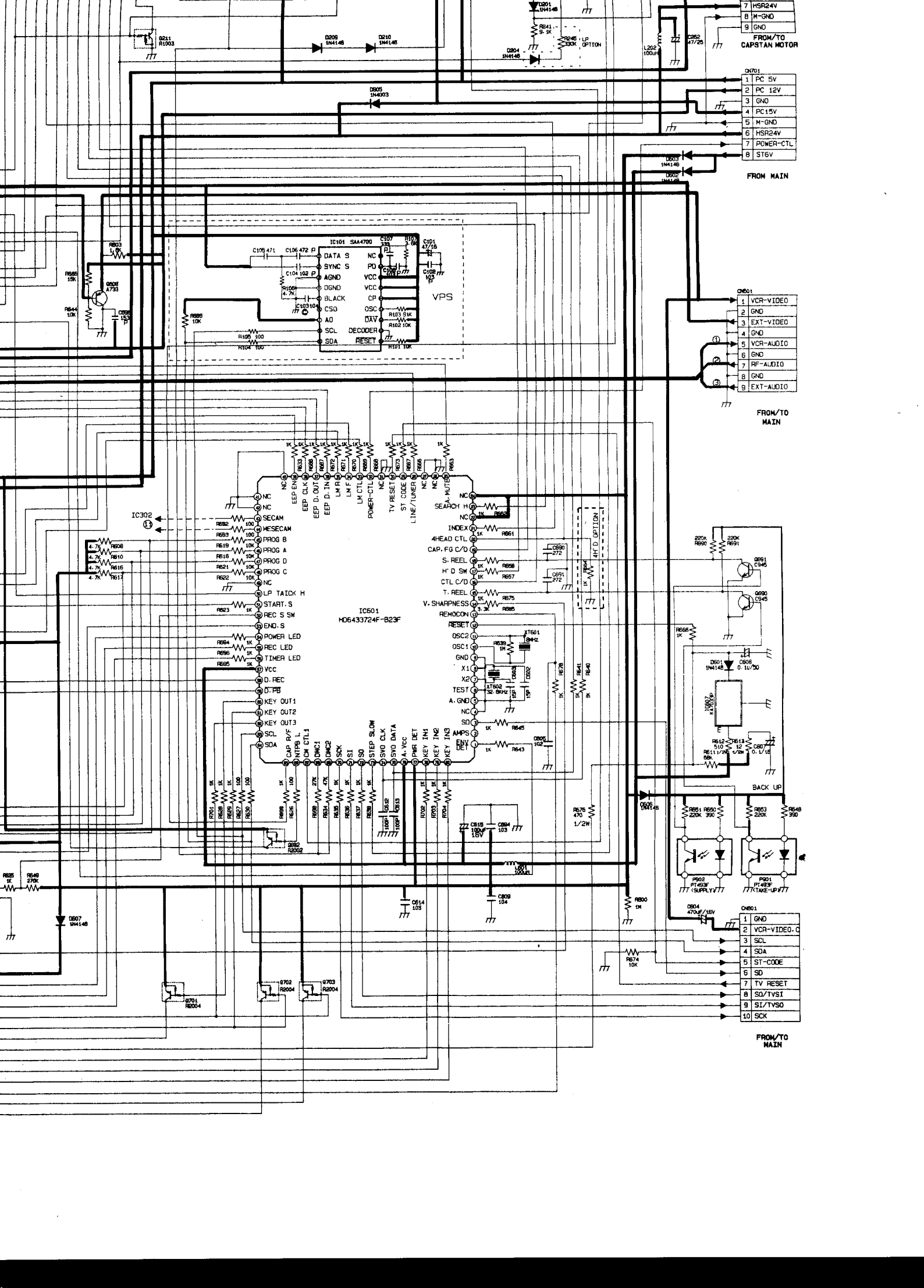
PC12V
PC5V
RECSV
PDSV



IC302

IC601
H06433724F-B23F





- 7 HSR24V
- 8 M-GND
- 9 GND

FROM/TO
CAPSTAN MOTOR

- O4701
- 1 PC 5V
- 2 PC 12V
- 3 GND
- 4 PC 15V
- 5 M-GND
- 6 HSR24V
- 7 POWER-CTL
- 8 ST6V

FROM MAIN

- O4601
- 1 VCR-VIDEO
- 2 GND
- 3 EXT-VIDEO
- 4 GND
- 5 VCR-AUDIO
- 6 GND
- 7 RF-AUDIO
- 8 GND
- 9 EXT-AUDIO

FROM/TO
MAIN

BACK UP

- O4501
- 1 GND
- 2 VCR-VIDEO. C
- 3 SCL
- 4 SDA
- 5 ST-CODE
- 6 SD
- 7 TV RESET
- 8 SO/TVSI
- 9 SI/TVSO
- 10 SCK

FROM/TO
MAIN

