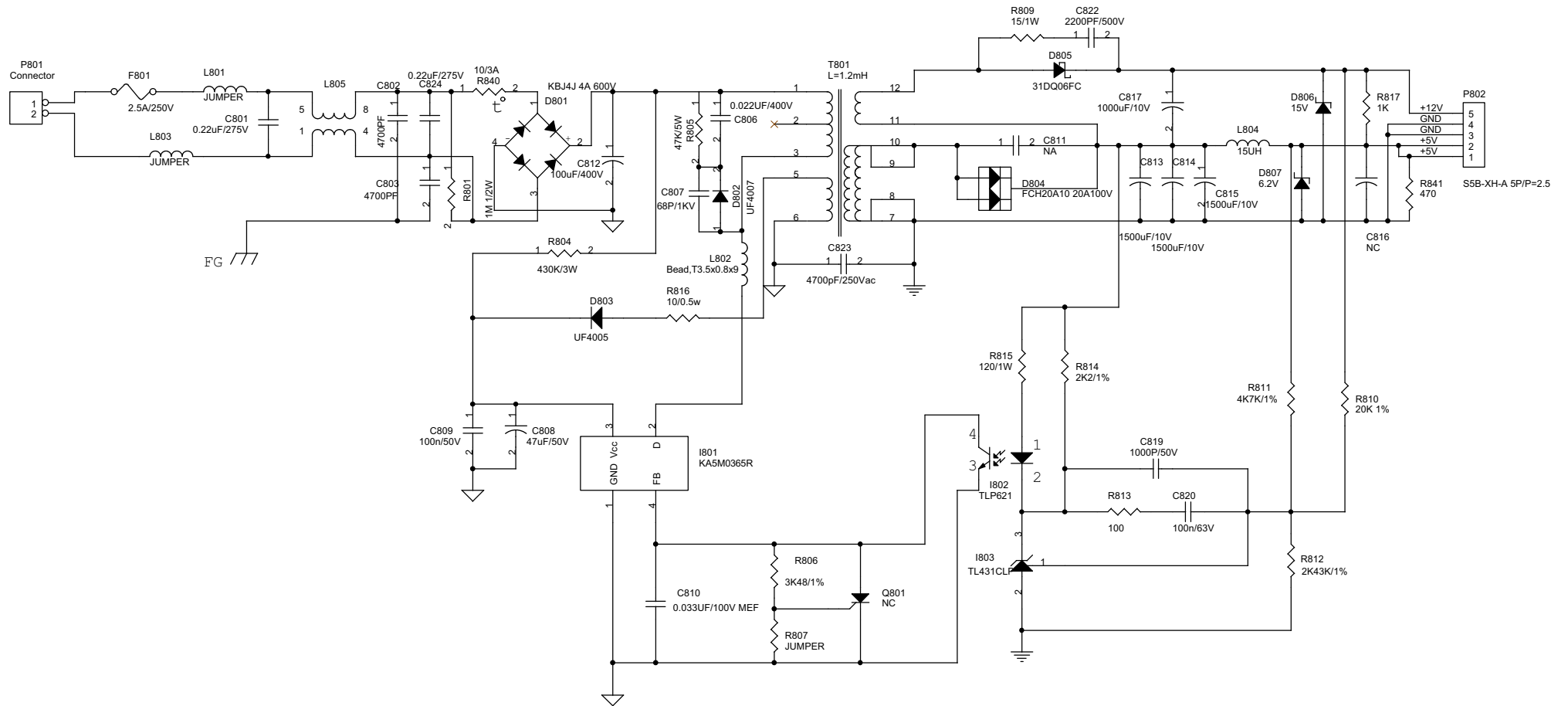


6.6 POWER



- (1) Resistor - power rating is 1/8W , if not indicated.
- (2) AL-EL capacitor - temperature is 105°C , if not indicated.