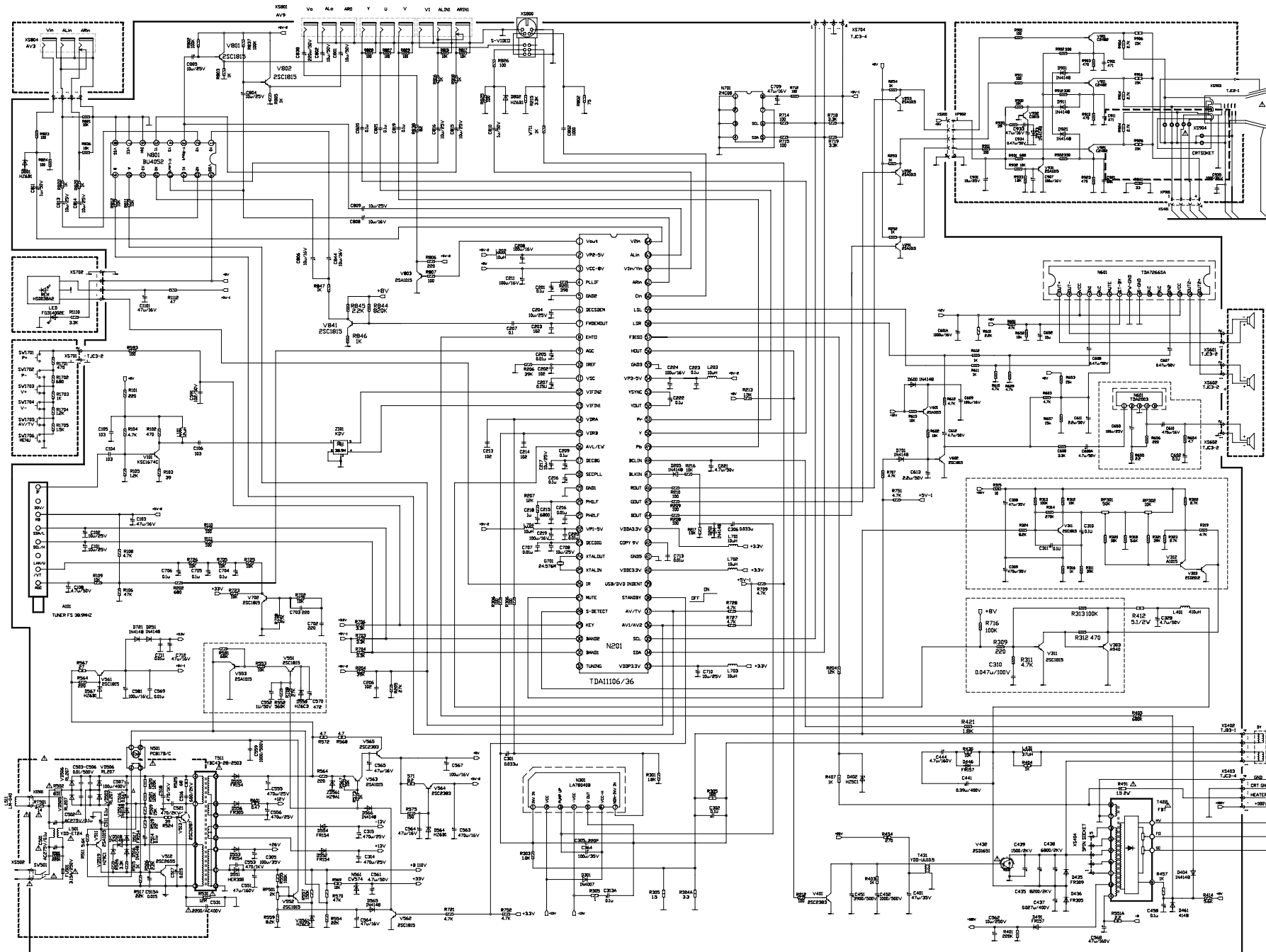


# COLOR TV BASIC CIRCUIT DIAGRAM

No: KLX-2129TOP VER1.0



- NOTICE:**
- (1) Resistance value in 1/8W unless otherwise specify.
  - (2) Capacitance value in uF50V if less than 1 and in pF50V if more than 1 unless otherwise specified.
  - (3) All parts with symbol  $\Delta$  are important safety parts, please do not use substitutes to replace them.
  - (4) Circuitry are subject to change without pronoice 1