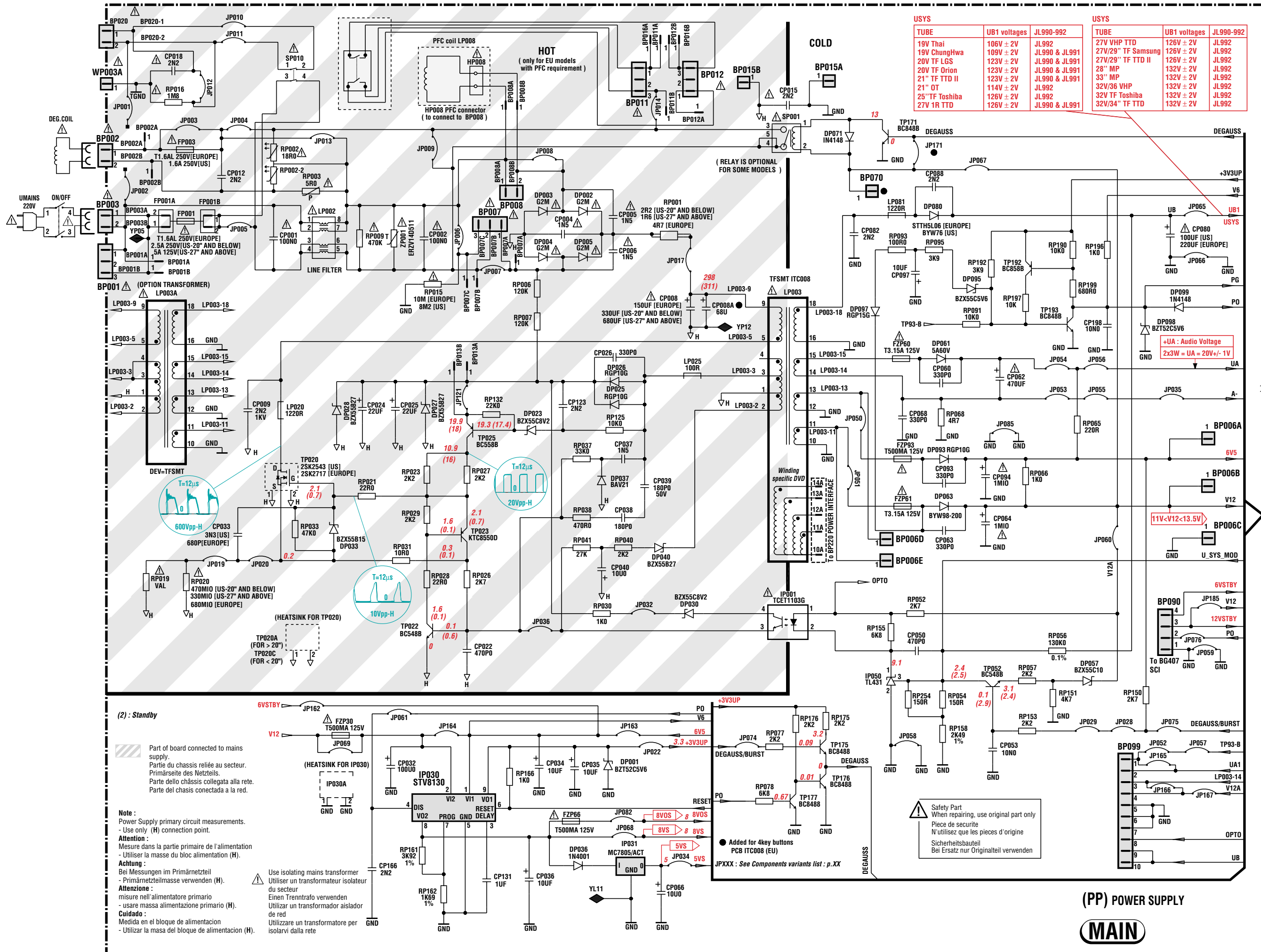


COMPLETE PCB DIAGRAM - SCHEMA PLATINE PRINCIPALE EQUIPEE - SCHALTUNG LEITERPLATTE KPL - SCHEMA PIASTRA COMPLETA - ESQUEMA PLATINA EQUIPADA



(2) : Standby

Part of board connected to mains supply.
Partie du chassis reliée au secteur.
Primärseite des Netzteils.
Parte dello chassis collegata alla rete.
Parte del chasis conectada a la red.

Note :
Power Supply primary circuit measurements.
- Use only (H) connection point.

Attention :
Mesure dans la partie primaire de l'alimentation
- Utiliser la masse du bloc alimentation (H).

Achtung :
Bei Messungen im Primärnetzteil
- Primärnetzteilmasse verwenden (H).

Attenzione :
misure nell'alimentatore primario
- usare massa alimentazione primario (H).

Cuidado :
Medida en el bloque de alimentación
- Utilizar la masa del bloque de alimentación (H).

Use isolating mains transformer
Utiliser un transformateur isolateur du secteur
Einen Trenntrafo verwenden
Utilizar un transformador aislador de red
Utilizzare un transformatore per isolarli dalla rete

Safety Part
When repairing, use original part only
Pièce de sécurité
N'utilisez que les pièces d'origine
Sicherheitsbauteil
Bei Ersatz nur Originalteil verwenden

Added for 4key buttons
PCB ITC008 (EU)

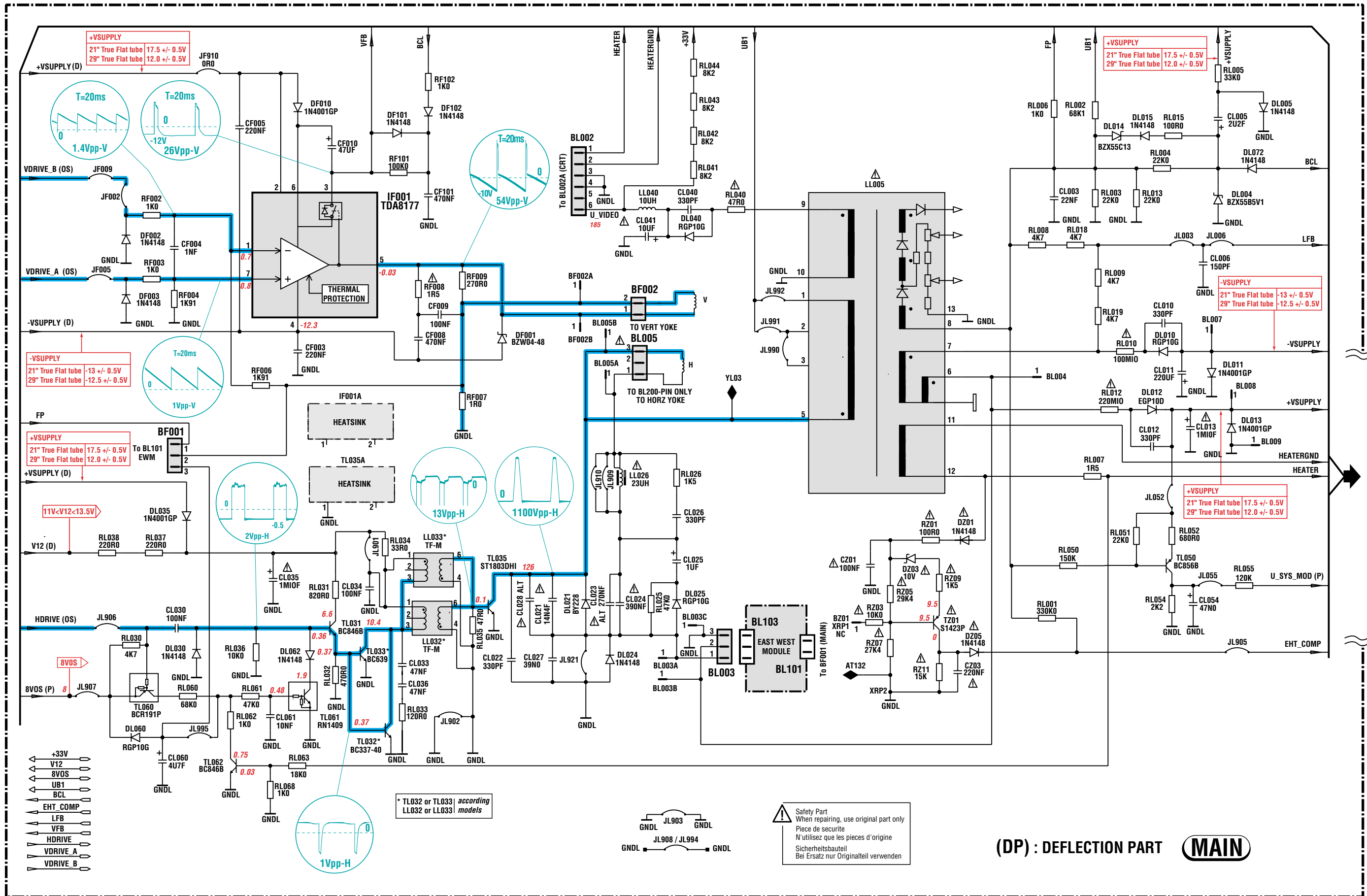
JPXXX : See Components variants list : p.XX

(PP) POWER SUPPLY
MAIN

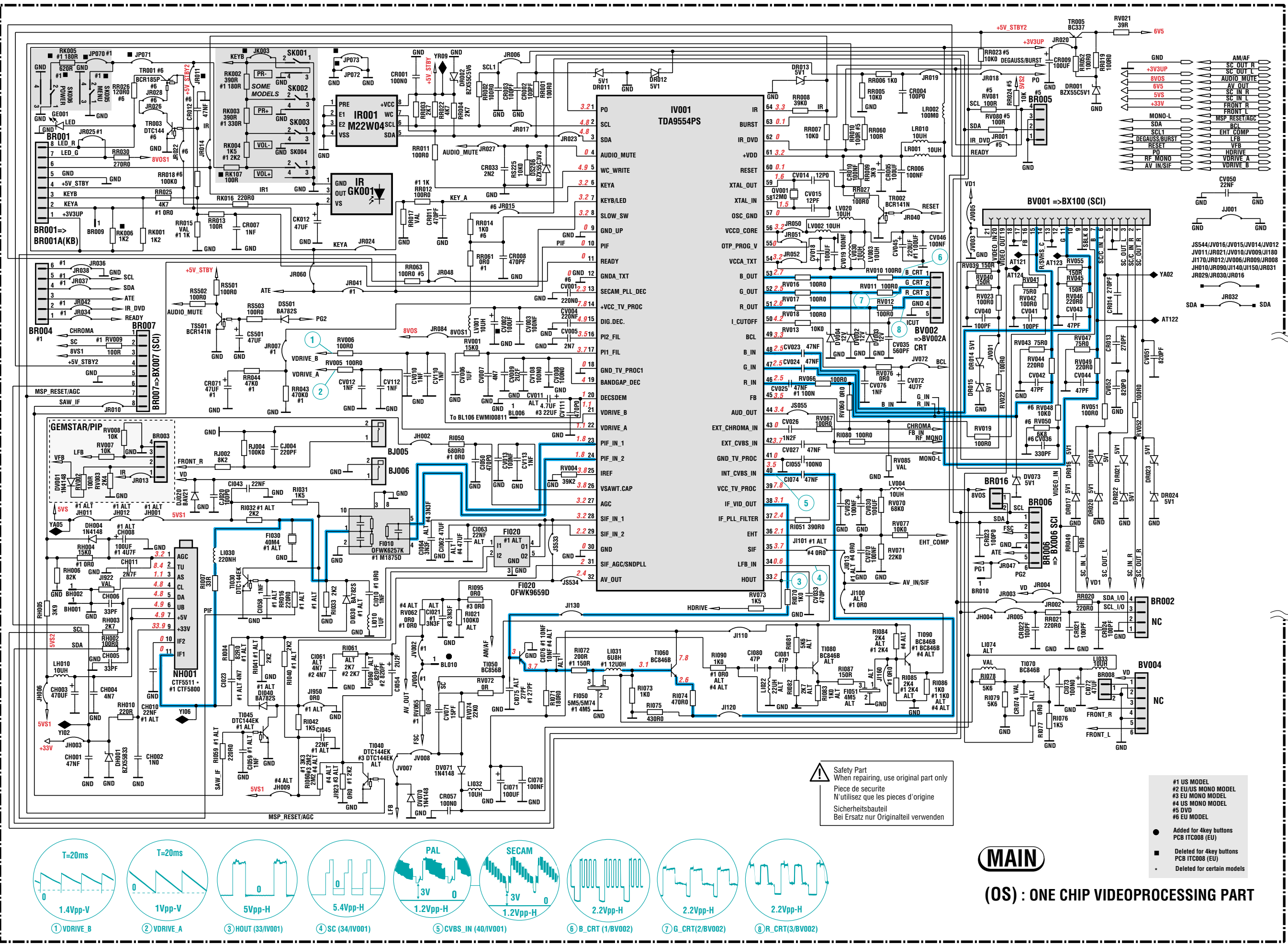
Power supply key component variants for ITC008 (US/EU models)

Screen sizes	20"CV, 21"OT BASIC	21"XF TV-DVD COMBO, BASIC	34"XF, 28"SF(16X9), 28"XF(16X9), 32"SF(16X9), 32"XF(16X9) BASIC+PFC+Tropical	28"MP, 29"XF BASIC+PFC+Tropical	14" AC/DC BASIC (mains switch on board) AC/DC models	14" BASIC (mains switch on board) AC models.	20"CV, 21"OT BASIC (mains switch on board)	25"XF, 25"MP BASIC + tropical climate	14"XF TV-DVD COMBO, BASIC	21"XF BASIC	21"(Slim Tube) LG Philips tube + EW correction
BP001	PIN-SOLDER 1.31MM	PIN-SOLDER 1.31MM	PIN-SOLDER 1.31MM	PIN-SOLDER 1.31MM	PIN-SOLDER 1.31MM	PIN-SOLDER 1.31MM	PIN-SOLDER 1.31MM	PIN-SOLDER 1.31MM	PIN-SOLDER 1.31MM	PIN-SOLDER 1.31MM	PIN-SOLDER 1.31MM
BP002	PIN-SOLDER 1.31MM	PIN-SOLDER 1.31MM	PIN-SOLDER 1.31MM	PIN-SOLDER 1.31MM	VAL	PIN-SOLDER 1.31MM	PIN-SOLDER 1.31MM	PIN-SOLDER 1.31MM	PIN-SOLDER 1.31MM	PIN-SOLDER 1.31MM	PIN-SOLDER 1.31MM
BP003	VAL	VAL	VAL	VAL	VAL	VAL	VAL	VAL	VAL	VAL	VAL
BP007	VAL	VAL	VAL	VAL	VAL	VAL	VAL	VAL	VAL	VAL	VAL
BP008	VAL	VAL	PIN-SOLDER 1.31MM	PIN-SOLDER 1.31MM	VAL	VAL	VAL	VAL	VAL	VAL	VAL
BP011	VAL	VAL	PIN-SOLDER 1.31MM	PIN-SOLDER 1.31MM	VAL	VAL	VAL	VAL	VAL	VAL	VAL
BP012	VAL	VAL	PIN-SOLDER 1.31MM	PIN-SOLDER 1.31MM	VAL	VAL	VAL	VAL	VAL	VAL	VAL
BP020	VAL	VAL	VAL	VAL	CONNECTOR 2-W (11038995)	VAL	VAL	VAL	VAL	VAL	VAL
BP099	VAL	VAL	VAL	VAL	CONNECTOR 10-W (80448080)	VAL	VAL	VAL	VAL	VAL	VAL
CP001	CPPMX 100N0F +20% -20%	CPPMX 100N0F +20% -20%	CPPMX 100N0F +20% -20%	CPPMX 100N0F +20% -20%	CPPMX 100N0F +20% -20%	CPPMX 100N0F +20% -20%	CPPMX 100N0F +20% -20%	CPPMX 100N0F +20% -20%	CPPMX 100N0F +20% -20%	CPPMX 100N0F +20% -20%	CPPMX 100N0F +20% -20%
CP002	VAL	CPPMX 100N0F +20% -20%	CPPMX 100N0F +20% -20%	CPPMX 100N0F +20% -20%	VAL	VAL	VAL/CPMPX 100N0F +20% -20%	CPPMX 100N0F +20% -20%	VAL	VAL/CPMPX 100N0F +20% -20%	CPPMX 100N0F +20% -20%
CP008	CE 100U0F +20% 400.0V 85C	CE 150U0F +20% 400.0V 85C	CE 220U0F +20% 400.0V 85C	CE 150U0F +20% 400.0V 85C	CE 68U0F +20% 400.0V 85C	CE 68U0F +20% 400.0V 85C	CE 100U0F +20% 400.0V 85C	CE 150U0F +20% 400.0V 85C	CE 68U0F +20% 400.0V 85C	CE 150U0F +20% 400.0V 85C	CE 150U0F +20% 400.0V 85C
CP018	VAL	VAL	VAL	VAL	VAL	VAL	VAL	VAL	VAL	VAL	VAL
CP033	CC 680P	CC 3N3	CC 3N3	CC 680P	CC 680P	CC 680P	CC 680P	CC 3N3	CC 680P	CC 680P	CC 680P
CP037	CC 1N5F	CC 1N5F	CC3N3	CC 1N5F	CC 1N5F	CC 1N5F	CC 1N5F	CC 1N5F	CC 1N5F	CC 1N5F	CC 1N5F
CP050	CC 470P	CC 470P	CC 470P	CC 470P	CC 470P	CC 470P	CC 470P	CC 470P	CC 470P	CC 470P	CC 470P
CP080	CE 100U0F +20% 200.0V 105C	CE 220U0F +20% 200.0V 105C	CE 220U0F +20% 200.0V 105C	CE 220U0F +20% 200.0V 105C	CE 100U0F +20% 200.0V 105C	CE 100U0F +20% 200.0V 105C	CE 100U0F +20% 200.0V 105C	CE 220U0F +20% 200.0V 105C	CE 100U0F +20% 200.0V 105C	CE 220U0F +20% 200.0V 105C	CE 220U0F +20% 200.0V 105C
CP093	VAL	VAL	VAL	VAL	VAL	VAL	VAL	VAL	VAL	VAL	VAL
CP094	CE 47UF	CE 47UF	CE 47UF	CE 47UF	CE 47UF	CE 47UF	CE 47UF	CE 47UF	CE 47UF	CE 47UF	CE 47UF
CP097	CE 4U7F	CE 4U7F	CE 4U7F	CE 4U7F	CE 4U7F	CE 4U7F	CE 4U7F	CE 4U7F	CE 4U7F	CE 4U7F	CE 4U7F
DP002/5	BYW27-1000	BYW27-1000	BYW27-1000	BYW27-1000	BYW27-1000	BYW27-1000	BYW27-1000	BYW27-1000	BYW27-1000	BYW27-1000	BYW27-1000
DP028	VAL	VAL	D-ZENER BZX55C33V 33.0V	D-ZENER BZX55C33V 33.0V	VAL	VAL	VAL	VAL	VAL	VAL	VAL
DP057	D-ZENER BZX55C9V1 9.1V	D-ZENER BZX55C9V1 9.1V	D-ZENER BZX55C9V1 9.1V	D-ZENER BZX55C9V1 9.1V	D-ZENER BZX55C9V1 9.1V	D-ZENER BZX55C9V1 9.1V	D-ZENER BZX55C9V1 9.1V	D-ZENER BZX55C9V1 9.1V	D-ZENER BZX55C9V1 9.1V	D-ZENER BZX55C9V1 9.1V	D-ZENER BZX55C9V1 9.1V
DP080	D-SR BYW76/RGP30J	D-SR STTH5L06 600.0V	D-SR STTH5L06 600.0V	D-SR STTH5L06 600.0V	D-SR BYW76/RGP30J 600.0V	D-SR BYW76/RGP30J	D-SR BYW76/RGP30J	D-SR STTH5L06 600.0V	D-SR BYW76/RGP30J	D-SR STTH5L06 600.0V	D-SR STTH5L06 600.0V
DP093	D-SR RGP10G	D-SR RGP10G	D-SR RGP10G	D-SR RGP10G	VAL	VAL	VAL	D-SR RGP10G	D-SR RGP10G	D-SR RGP10G	D-SR RGP10G
DP095	D-ZENER BZX55B10V	D-ZENER BZX55B10V	D-ZENER BZX55B6V2	D-ZENER BZX55B6V2	D-ZENER BZX55B10V	D-ZENER BZX55B10V	D-ZENER BZX55B10V	D-ZENER BZX55B10V	D-ZENER BZX55B10V	D-ZENER BZX55B10V	D-ZENER BZX55B10V
DP099	VAL	VAL	VAL	VAL	VAL	VAL	VAL	VAL	VAL	VAL	VAL
FP001	FUSTIM 1.6 A 250.0 V 1303 A1	FUSTIM 1.6 A 250.0 V 1303 A1	FUSTIM 1.6 A 250.0 V 1303 A1	FUSTIM 1.6 A 250.0 V 1303 A1	FUSTIM 1.6 A 250.0 V 1303 A1	FUSTIM 1.6 A 250.0 V 1303 A1	FUSTIM 1.6 A 250.0 V 1303 A1	FUSTIM 1.6 A 250.0 V 1303 A1	FUSTIM 1.6 A 250.0 V 1303 A1	FUSTIM 1.6 A 250.0 V 1303 A1	FUSTIM 1.6 A 250.0 V 1303 A1
FZP30	VAL	VAL	VAL	VAL	VAL	VAL	VAL	VAL	VAL	VAL	VAL
FZP93	TE5-T FUSE 500mA	TE5-T FUSE 500mA	TE5-T FUSE 500mA	TE5-T FUSE 500mA	VAL	VAL	TE5-T FUSE 500mA	TE5-T FUSE 500mA	VAL	TE5-T FUSE 500mA	TE5-T FUSE 500mA
LP002	MAINS FILTER 33MH	MAINS FILTER 60MH	MAINS FILTER 25MH	MAINS FILTER 25MH	MAINS FILTER 33MH	MAINS FILTER 33MH	MAINS FILTER 33MH/60MH	MAINS FILTER 60MH	MAINS FILTER 60MH	MAINS FILTER 33MH	MAINS FILTER 60MH
LP003	TF-SMT (21295190)	TF-SMT (21273900)	TF-SMT (21273900)	TF-SMT (21295200)	TF-SMT (2133990A)	TF-SMT (2133990A)	TF-SMT (21295190) / (21414310)	TF-SMT (21295200)	TF-SMT (21384580)	TF-SMT (21260710) / (21414300)	TF-SMT (21260710)
LP008	VAL	VAL	PFC coil	PFC coil	VAL	VAL	VAL	VAL	VAL	VAL	VAL
RP001	RW 4R7 OHM +5% 10.0W	RW 4R7 OHM +5% 10.0W	RW 4R7 OHM +5% 10.0W	RW 4R7 OHM +5% 10.0W	RW 4R7 OHM +5% 10.0W	RW 4R7 OHM +5% 10.0W	RW 4R7 OHM +5% 10.0W	RW 4R7 OHM +5% 10.0W	RW 4R7 OHM +5% 10.0W	RW 4R7 OHM +5% 10.0W	RW 4R7 OHM +5% 10.0W
RP002	POS 18R	POS 18R	POS 18R	POS 18R	POS 18R	POS 18R	POS 18R	POS 18R	POS 18R	POS 18R	POS 18R
RP003	VAL	VAL	VAL	VAL	VAL	VAL	VAL	VAL	VAL	VAL	VAL
RP006	RCF 180KO OHM	RCF 180KO OHM	RCF 270KO OHM	RCF 180KO OHM	RCF 180KO OHM	RCF 180KO OHM	RCF 180KO OHM	RCF 180KO OHM	RCF 180KO OHM	RCF 180KO OHM	RCF 180KO OHM
RP007	RCF 180KO OHM	RCF 180KO OHM	RCF 270KO OHM	RCF 180KO OHM	RCF 180KO OHM	RCF 180KO OHM	RCF 180KO OHM	RCF 180KO OHM	RCF 180KO OHM	RCF 180KO OHM	RCF 180KO OHM
RP009	VAL	RS 470K0 OHM +5% 1.0W	RS 470K0 OHM +5% 1.0W	RS 470K0 OHM +5% 1.0W	VAL	VAL	VAL / RS 470K0 OHM +5% 1.0W	RS 470K0 OHM +5% 1.0W	VAL	VAL	RS 470K0 OHM +5% 1.0W
RP015	RS 10M0 OHM	RS 10M0 OHM	RS 10M0 OHM	RS 10M0 OHM	RS 10M0 OHM	RS 10M0 OHM	RS 10M0 OHM	RS 10M0 OHM	RS 10M0 OHM	RS 10M0 OHM	RS 10M0 OHM
RP016	VAL	VAL	VAL	VAL	VAL	VAL	VAL	VAL	VAL	VAL	VAL
RP020	RW 680MIO OHM +5% 2.5W	RW 680MIO OHM +5% 2.5W	RW 470MIO OHM +5% 2.5W	RW 680MIO OHM +5% 2.5W	RW 680MIO OHM +5% 2.5W	RW 680MIO OHM +5% 2.5W	RW 680MIO OHM +5% 2.5W	RW 680MIO OHM +5% 2.5W	RW 680MIO OHM +5% 2.5W	RW 680MIO OHM +5% 2.5W	RW 680MIO OHM +5% 2.5W
RP023	RCF 2K2 OHM +5% 250MIOW	RCF 2K2 OHM +5% 250MIOW	RCF 820 OHM +5% 250MIOW	RCF 2K2 OHM +5% 250MIOW	RCF 2K2 OHM +5% 250MIOW	RCF 2K2 OHM +5% 250MIOW	RCF 2K2 OHM +5% 250MIOW	RCF 2K2 OHM +5% 250MIOW	RCF 2K2 OHM +5% 250MIOW	RCF 2K2 OHM +5% 250MIOW	RCF 2K2 OHM +5% 250MIOW
RP027	RCF 2K2 OHM +5% 250MIOW	RCF 2K2 OHM +5% 250MIOW	RCF 820 OHM +5% 250MIOW	RCF 2K2 OHM +5% 250MIOW	RCF 2K2 OHM +5% 250MIOW	RCF 2K2 OHM +5% 250MIOW	RCF 2K2 OHM +5% 250MIOW	RCF 2K2 OHM +5% 250MIOW	RCF 2K2 OHM +5% 250MIOW	RCF 2K2 OHM +5% 250MIOW	RCF 2K2 OHM +5% 250MIOW
RP041	RCF 18K0 OHM +5% 250MIOW	RCF 18K0 OHM +5% 250MIOW	RCF 18K0 OHM +5% 250MIOW	RCF 18K0 OHM +5% 250MIOW	RCF 33K0 OHM +5% 250MIOW	RCF 33K0 OHM +5% 250MIOW	RCF 18K0 OHM +5% 250MIOW	RCF 18K0 OHM +5% 250MIOW	RCF 33K0 OHM +5% 250MIOW	RCF 18K0 OHM +5% 250MIOW	RCF 18K0 OHM +5% 250MIOW
RP057	RCF 2K2 OHM +5% 250MIOW	RCF 2K2 OHM +5% 250MIOW	RCF 2K2 OHM +5% 250MIOW	RCF 2K2 OHM +5% 250MIOW	RCF 2K2 OHM +5% 250MIOW	RCF 2K2 OHM +5% 250MIOW	RCF 2K2 OHM +5% 250MIOW	RCF 2K2 OHM +5% 250MIOW	RCF 2K2 OHM +5% 250MIOW	RCF 2K2 OHM +5% 250MIOW	RCF 2K2 OHM +5% 250MIOW
RP093	WIREBARE 22	WIREBARE 22	WIREBARE 22	WIREBARE 22	WIREBARE 22	WIREBARE 22	WIREBARE 22	WIREBARE 22	WIREBARE 22	WIREBARE 22	WIREBARE 22
RP095	RCF 3K9 OHM +5% 250MIOW	RCF 3K9 OHM +5% 250MIOW	RCF 12K0 OHM +5% 250MIOW	RCF 12K0 OHM +5% 250MIOW	RCF 6K8 OHM +5% 250MIOW	RCF 9K1 OHM +5% 250MIOW	RCF 3K9 OHM +5% 250MIOW	RCF 3K9 OHM +5% 250MIOW	RCF 3K9 OHM +5% 250MIOW	RCF 3K9 OHM +5% 250MIOW	RCF 3K9 OHM +5% 250MIOW
RP150	RMGCFMIC 18K0 OHM	RMGCFMIC 18K0 OHM	RMGCFMIC 18K0 OHM	RMGCFMIC 18K0 OHM	RMGCFMIC 18K0 OHM	RMGCFMIC 18K0 OHM	RMGCFMIC 18K0 OHM	RMGCFMIC 18K0 OHM	RMGCFMIC 18K0 OHM	RMGCFMIC 18K0 OHM	RMGCFMIC 18K0 OHM
RP151	RMGCFMIC 4K7 OHM	RMGCFMIC 4K7 OHM	RMGCFMIC 4K7 OHM	RMGCFMIC 4K7 OHM	RMGCFMIC 4K7 OHM	RMGCFMIC 4K7 OHM	RMGCFMIC 4K7 OHM	RMGCFMIC 4K7 OHM	RMGCFMIC 4K7 OHM	RMGCFMIC 4K7 OHM	RMGCFMIC 4K7 OHM
RP153	RMGCFMIC 2K2 OHM	RMGCFMIC 2K2 OHM	RMGCFMIC 2K2 OHM	RMGCFMIC 2K2 OHM	RMGCFMIC 2K2 OHM	RMGCFMIC 2K2 OHM	RMGCFMIC 2K2 OHM	RMGCFMIC 2K2 OHM	RMGCFMIC 2K2 OHM	RMGCFMIC 2K2 OHM	RMGCFMIC 2K2 OHM
RP192	RMGCFMIC 8K2 OHM	RMGCFMIC 8K2 OHM	RMGCFMIC 8K2 OHM	RMGCFMIC 8K2 OHM	RMGCFMIC 5K1 OHM	RMGCFMIC 8K2 OHM	RMGCFMIC 8K2 OHM	RMGCFMIC 8K2 OHM	RMGCFMIC 8K2 OHM	RMGCFMIC 8K2 OHM	RMGCFMIC 8K2 OHM
SP001	VAL	RELAY	RELAY	RELAY	VAL	VAL	VAL	RELAY	VAL	VAL	VAL
SP010	VAL	VAL	VAL	VAL	MAINS SWITCH	MAINS SWITCH	MAINS SWITCH	VAL	MAINS SWITCH	MAINS SWITCH	MAINS SWITCH
TP020	TR-M STP6NB90FP/FQPF6N90/2SK2717	TR-M STP6NB90FP/FQPF6N90/2SK2717	TR-M STP6NB90FP/FQPF6N90/2SK2717	TR-M STP6NB90FP/FQPF6N90	TR-M STP6NB90FP/FQPF6N90	TR-M STP6NB90FP/FQPF6N90	TR-M STP6NB90FP/FQPF6N90	TR-M STP6NB90FP/FQPF6N90	TR-M STP6NB90FP/FQPF6N90	TR-M STP6NB90FP/FQPF6N90	TR-M STP6NB90FP/FQPF6N90
TP020A	Heatsink TX807C 25421950	Heatsink TX807C 25421950	Heatsink TX807C 25421950	Heatsink TX807C 25421950	Heatsink 21333490	Heatsink 21333490	Heatsink 21333490	Heatsink TX807C 25421950	Heatsink 21333490	Heatsink TX807C 25421950	Heatsink TX807C 25421950
WP003A	VAL	VAL	VAL	VAL	VAL	VAL	VAL	VAL	VAL	VAL	VAL
ZP001	VAL	VAL	VAL	VAL	VAL	VAL	VAL	VAL	VAL	VAL	VAL
RELAY CIRCUIT											
DP071	VAL	DIODE 1N4148	DIODE 1N4148	DIODE 1N4148	VAL	VAL	VAL	DIODE 1N4148	VAL	VAL	VAL
TP171	VAL	TR-SLPLF BC848B	TR-SLPLF BC848B	TR-SLPLF BC848B	VAL	VAL	VAL	TR-SLPLF BC848B	VAL	VAL	VAL
TP175	VAL	TR-SLPLF BC848B	TR-SLPLF BC848B	TR-SLPLF BC848B	VAL	VAL	VAL	TR-SLPLF BC848B	VAL	VAL	VAL
TP176	VAL	TR-SLPLF BC848B	TR-SLPLF BC848B	TR-SLPLF BC848B	VAL	VAL	VAL	TR-SLPLF BC848B	VAL	VAL	VAL
TP177	VAL	TR-SLPLF BC848B	TR-SLPLF BC848B	TR-SLPLF BC848B	VAL	VAL	VAL	TR-SLPLF BC848B	VAL	VAL	VAL
RP077	VAL	RCF 2K2 OHM	RCF 2K2 OHM	RCF 2K2 OHM	VAL	VAL	VAL	RCF 2K2 OHM	VAL	VAL	VAL
RP078	VAL	RCF 6K8 OHM	RCF 6K8 OHM	RCF 6K8 OHM	VAL	VAL	VAL	RCF 6K8 OHM	VAL	VAL	VAL
RP175	VAL	RMGCFMIC 2K2 OHM	RMGCFMIC 2K2 OHM	RMGCFMIC 2K2 OHM	VAL	VAL	VAL	RMGCFMIC 2K2 OHM	VAL	VAL	VAL
RP176	VAL	RMGCFMIC 2K2 OHM	RMGCFMIC 2K2 OHM	RMGCFMIC 2K2 OHM	VAL	VAL	VAL	RMGCFMIC 2K2 OHM	VAL	VAL	VAL
JUMPERS											
JP001	VAL	VAL	VAL	VAL	VAL	VAL	VAL	VAL	VAL	VAL	VAL
JP002	VAL	VAL	VAL	VAL	VAL	VAL	VAL	VAL	VAL	VAL	VAL
JP005	WIREBARE 22	WIREBARE 22	WIREBARE 22	WIREBARE 22	VAL	VAL	VAL	WIREBARE 22	VAL	WIREBARE 22	WIREBARE 22
JP008	WIREBARE 22	WIREBARE 22	WIREBARE 22								

COMPLETE PCB DIAGRAM - SCHEMA PLATINE PRINCIPALE EQUIPEE - SCHALTUNG LEITERPLATTE KPL - SCHEMA PIASTRA COMPLETA - ESQUEMA PLATINA EQUIPADA

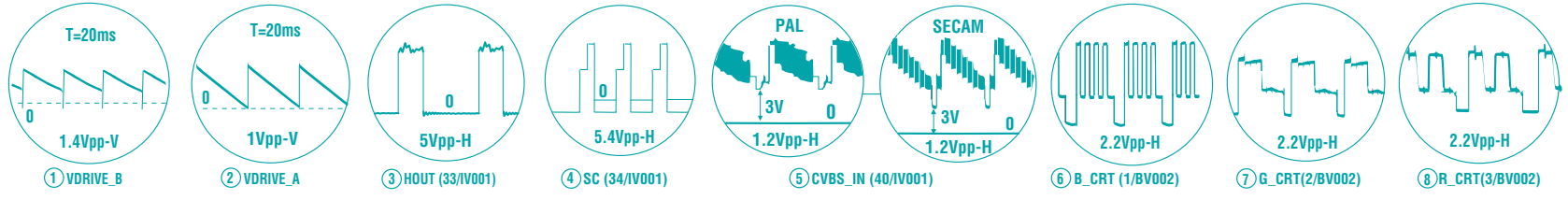


COMPLETE PCB DIAGRAM - SCHEMA PLATINE PRINCIPALE EQUIPEE - SCHALTUNG LEITERPLATTE KPL - SCHEMA PIASTRA COMPLETA - ESQUEMA PLATINA EQUIPADADA



Safety Part
 When repairing, use original part only
 Piece de securite
 N'utilisez que les pieces d'origine
 Sicherheitsbauteil
 Bei Ersatz nur Originalteil verwenden

- #1 US MODEL
 - #2 EU/US MONO MODEL
 - #3 EU MONO MODEL
 - #4 US MONO MODEL
 - #5 DVD
 - #6 EU MODEL
- Added for 4key buttons PCB ITC008 (EU)
 - Deleted for 4key buttons PCB ITC008 (EU)
 - Deleted for certain models



MAIN
 (OS) : ONE CHIP VIDEOPROCESSING PART

COMPLETE PCB DIAGRAM - SCHEMA PLATINE PRINCIPALE EQUIPEE - SCHALTUNG LEITERPLATTE KPL - SCHEMA PIASTRA COMPLETA - ESQUEMA PLATINA EQUIPADA

