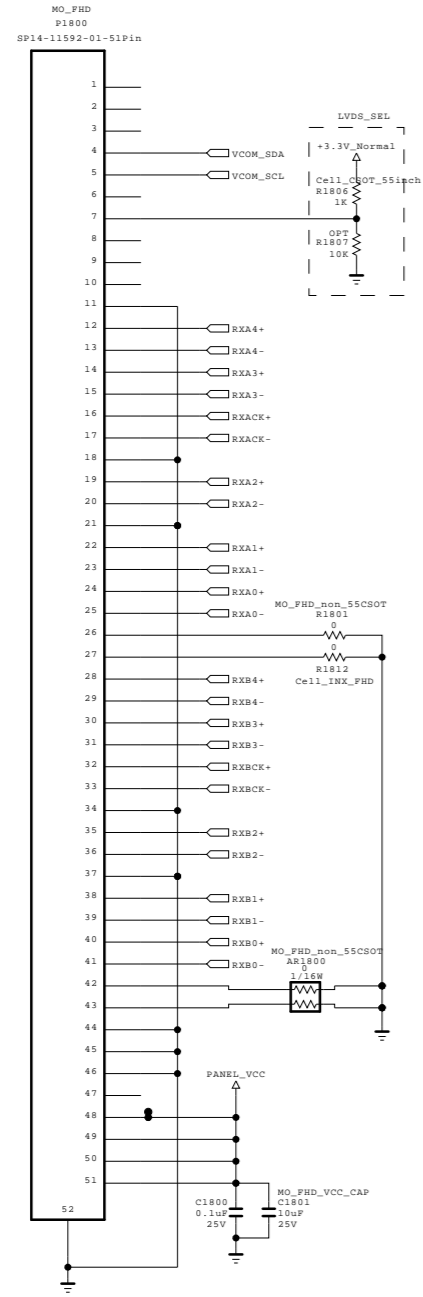
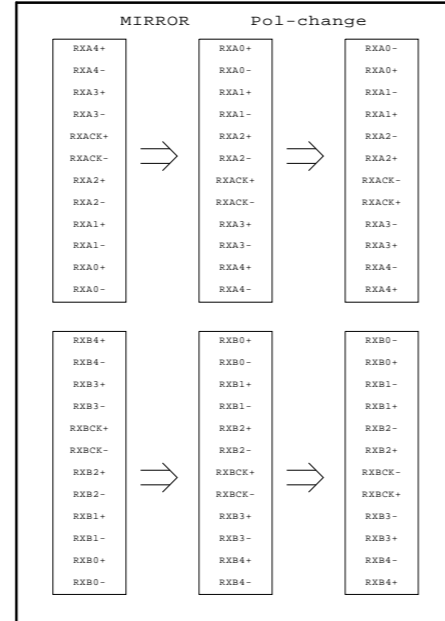


# LVDS

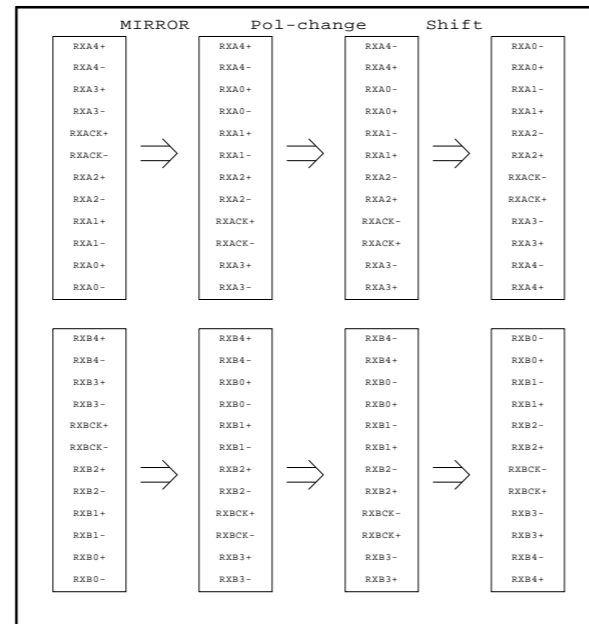
[51Pin LVDS Connector]  
(For FHD 60Hz)



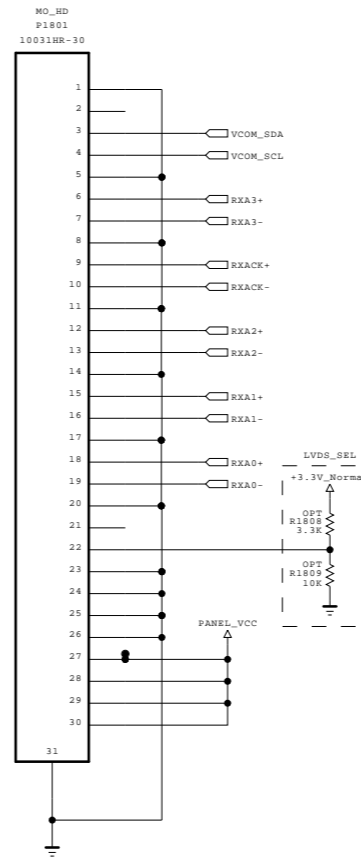
FOR FHD REVERSE (10bit)  
Change in S7LR



FOR FHD REVERSE (8bit)  
Change in S7LR

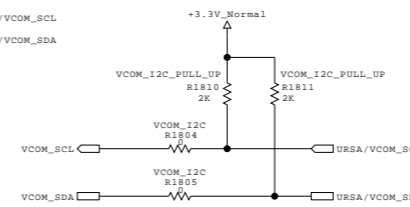


[30Pin LVDS Connector]  
(For HD 60Hz\_Normal)



EU pin assign is different from NON EU.  
Because of position of HD wafer.

V-COM I2C



THE  $\Delta$  SYMBOL MARK OF THIS SCHEMATIC DIAGRAM INCORPORATES SPECIAL FEATURES IMPORTANT FOR PROTECTION FROM X-RADIATION, FIRE AND ELECTRICAL SHOCK HAZARDS, WHEN SERVICING IF IS ESSENTIAL THAT ONLY MANUFACTURERS SPECIFIED PARTS BE USED FOR THE CRITICAL COMPONENTS IN THE  $\Delta$  SYMBOL MARK OF THE SCHEMATIC.

SECRET  
LGElectronics



MODEL	L14_CA_M1A	DATE	140613
BLOCK	LVDS	SHEET	18