

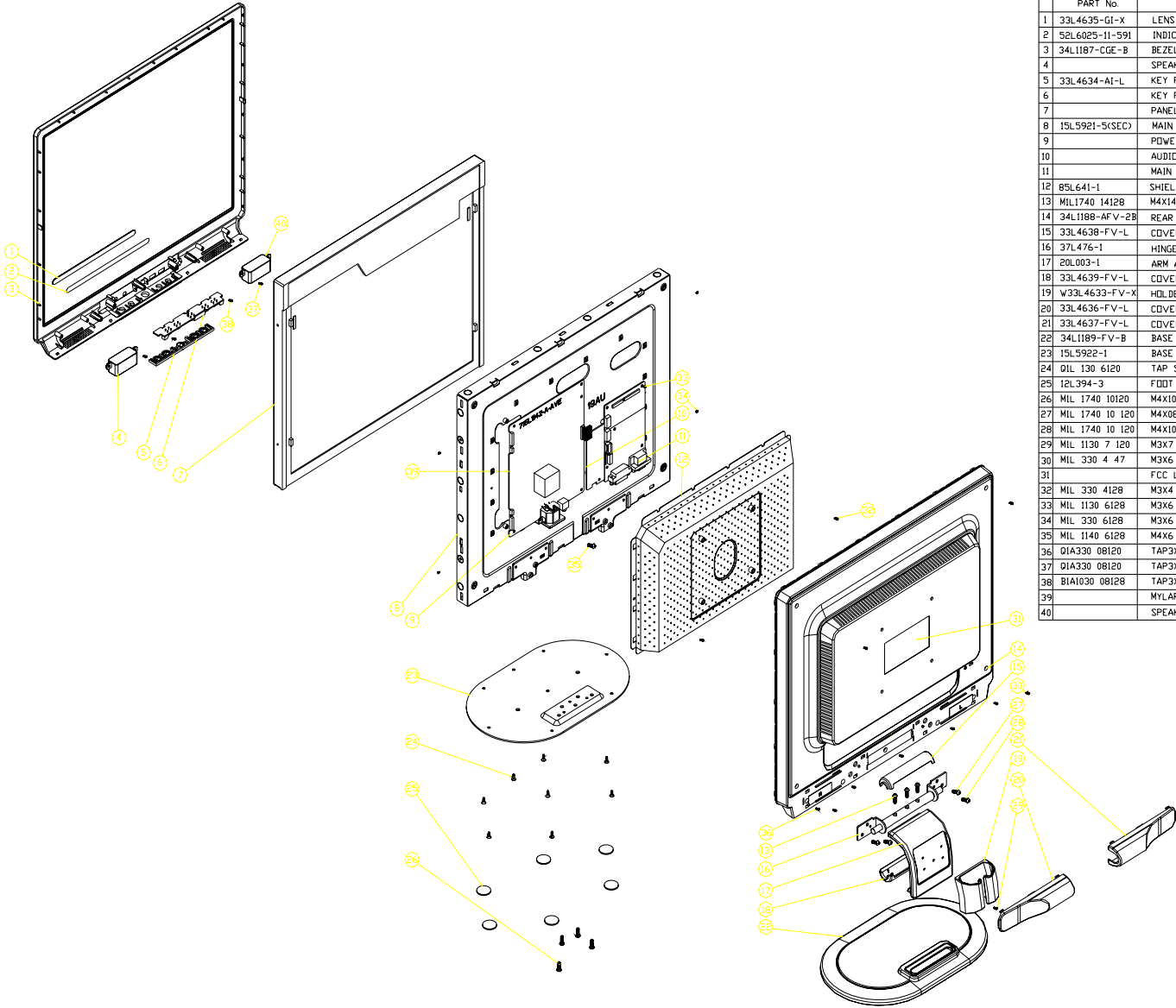
FRU (Field Replaceable Unit) List

This chapter gives you the FRU (Field Replaceable Unit) listing in global configurations of AL1722. Refer to this chapter whenever ordering for parts to repair or for RMA (Return Merchandise Authorization).

NOTE: Please note WHEN ORDERING FRU PARTS, that you should check the most up-to-date information available on your regional web or channel (<http://aicsl.acer.com.tw/spl/>). For whatever reasons a part number change is made, it will not be noted in the printed Service Guide. For ACER AUTHORIZED SERVICE PROVIDERS, your Acer office may have a DIFFERENT part number code from those given in the FRU list of this printed Service Guide. You MUST use the local FRU list provided by your regional Acer office to order FRU parts for repair and service of customer machines.



NOTE: To scrap or to return the defective parts, you should follow the local government ordinance or regulations on how to dispose it properly, or follow the rules set by your regional Acer office on how to return it.

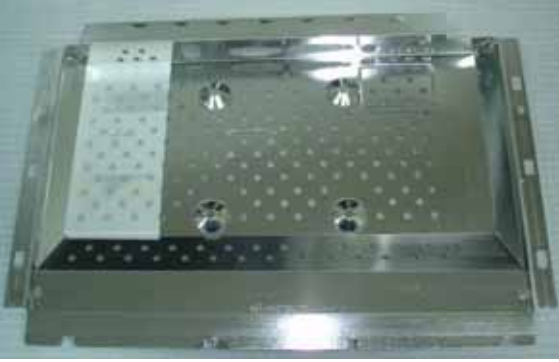


Exploded Diagram (Model: AL1722)






PART No.	DEC.	PCS	REMARK
1	33L4635-G1-X	LENS-FUNCTION	1
2	52L6025-11-591	INDICATOR SHEET	1
3	34L1187-CGE-B	BEZEL	1
4		SPEAKER < R >	1
5	33L4634-A1-L	KEY PAD	1
6		KEY FUNCTION BOARD ASS'Y	1
7		PANEL ASS'Y	1
8	15L5921-5<SEC>	MAIN FRAME	1
9		POWER BOARD ASS'Y	1
10		AUDIO BOARD ASS'Y	1
11		MAIN BOARD ASS'Y	1
12	85L641-1	SHIELD MAIN	1
13	MIL1740 14128	M4X14 SCREW	3
14	34L1188-AFV-2B	REAR COVER	1
15	33L4638-FV-L	COVER TOP ARM	1
16	37L476-1	HINGE ASS'Y	1
17	20L003-1	ARM ACER	1
18	33L4639-FV-L	COVER BTM ARM	1
19	W33L4633-FV-X	HOLDER CABLE	1
20	33L4636-FV-L	COVER HINGE < R >	1
21	33L4637-FV-L	COVER HINGE < L >	1
22	34L1189-FV-B	BASE	1
23	15L5922-1	BASE BRACKET	1
24	Q1L 130 6120	TAP SCREW 3X6 FOR STAND	7
25	12L394-3	FOOT PDORN	5
26	MIL 1740 10120	M4X10 SCREW FOR ARM+BASEBKT	4
27	MIL 1740 10 120	M4X08 SCREW FOR HINGE+BKT	1
28	MIL 1740 10 120	M4X10 SCREW FOR HINGE+BKT	1
29	MIL 1130 7 120	M3X7 SCREW FOR HOLDER+ARM	1
30	MIL 330 4 47	M3X6 SCREW FOR REAR COVER	4
31		FCC LABEL	1
32	MIL 330 4128	M3X4 SCREW FOR REAR COVER	2
33	MIL 1130 6128	M3X6 SCREW FOR ALL PCB (3+2+4)	9
34	MIL 330 6128	M3X6 SCREW FOR BKT+PANEL	4
35	MIL 1140 6128	M4X6 SCREW FOR GROUND	1
36	Q1A330 08120	TAP3X8 SCREW FOR BEZEL+REARCOVER	5
37	Q1A330 08120	TAP3X8 SCREW FOR BEZEL+SPEAKER	2
38	B1A1030 08128	TAP3X8 SCREW FOR KEY BOARD	2
39		MYLAR	1
40		SPEAKER < R >	1

Part List

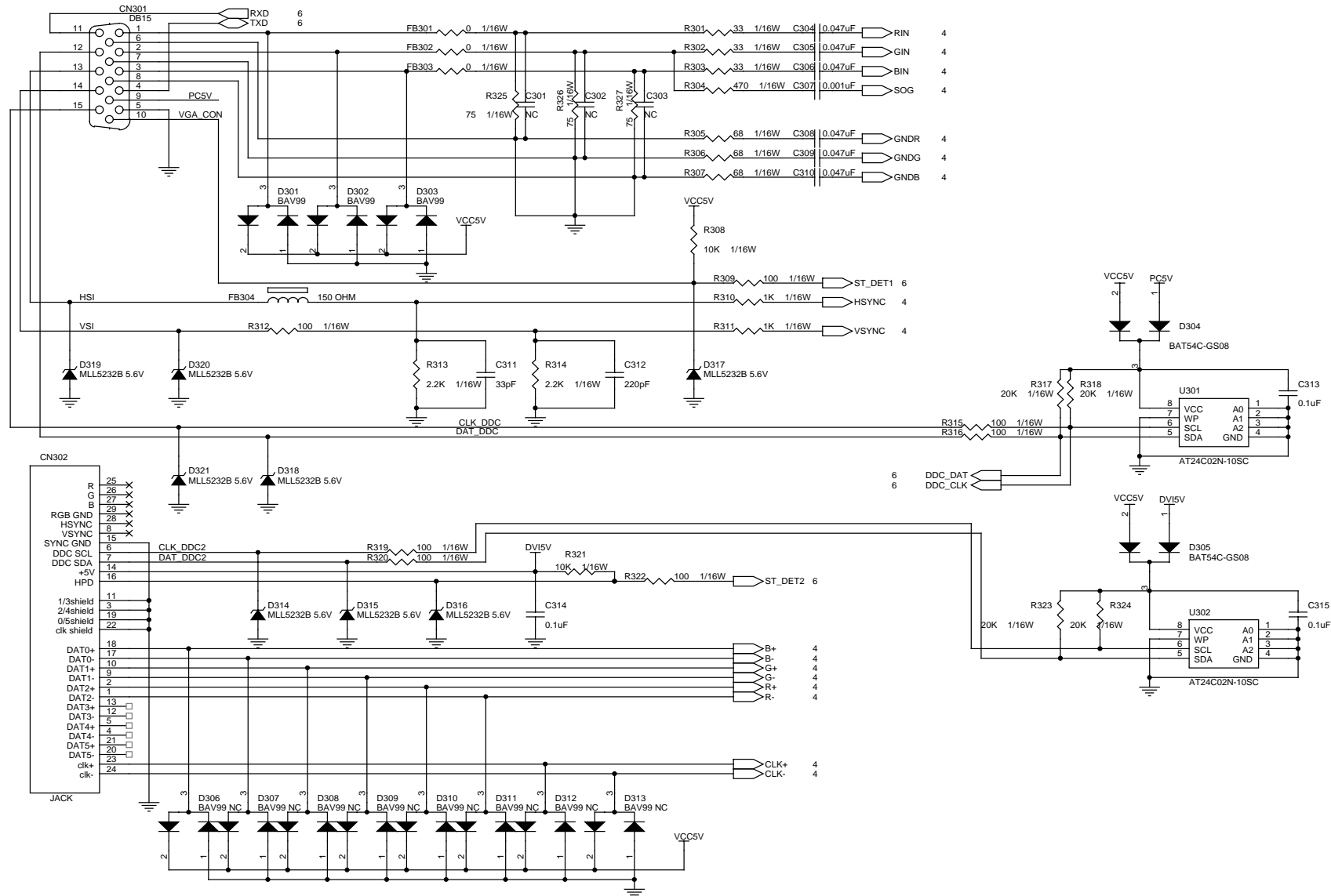
Item	Picture	Description	Part No.
1		Hinge cover	33L4636 FV L/33L4637 FV L
2		Stand base	34L1189 FV B
3		Front cover	34L1187CGE B
4		Rear cover	34L1188AFV 2B

5		Shield	85L 641 1
6		Metal frame	15L5921 5
7		Panel	750LLS70U21
9		Power board	IDPC 7425C3

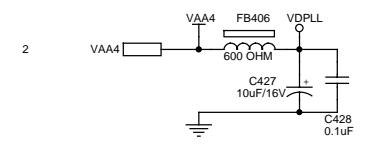
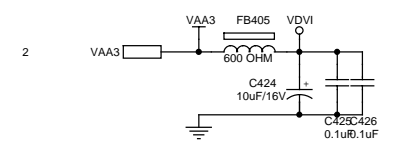
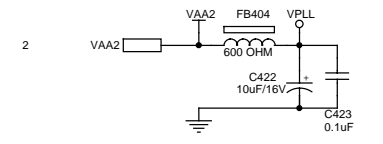
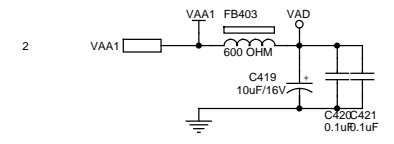
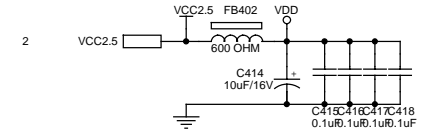
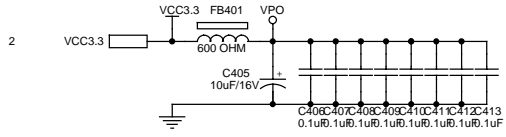
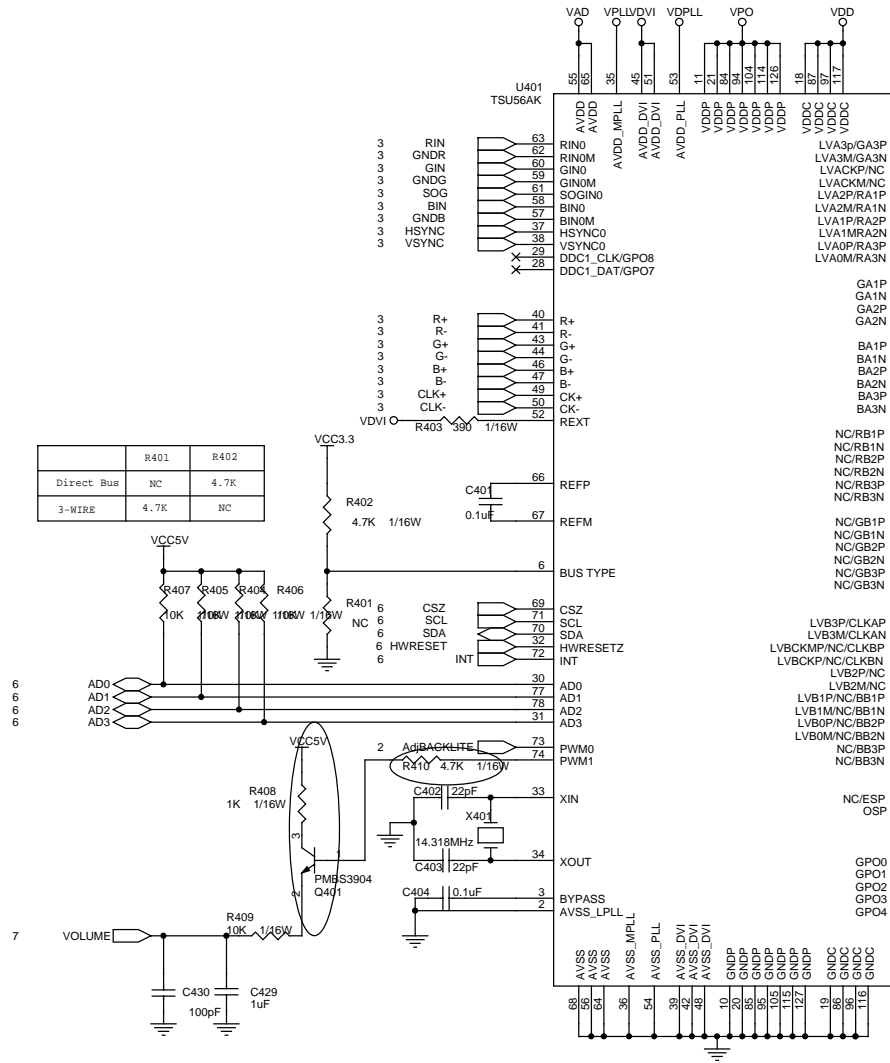
10		Main board	AIC780KS2AE
11		Key board	AIK780KB4
12		Speakers	78L 332 1 L/78L 332 1 R

Schematic Diagram

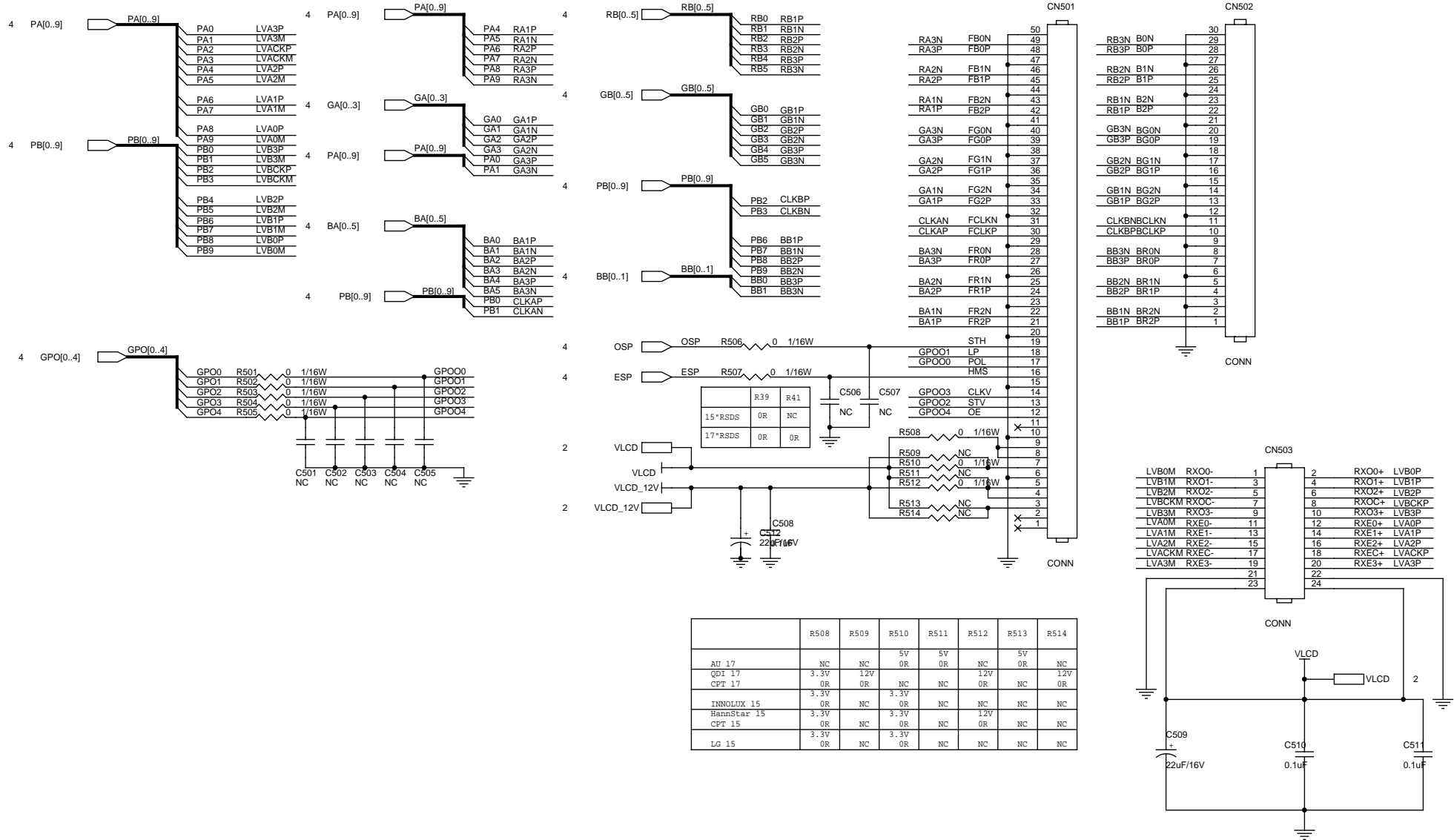
Analog and Digital Input



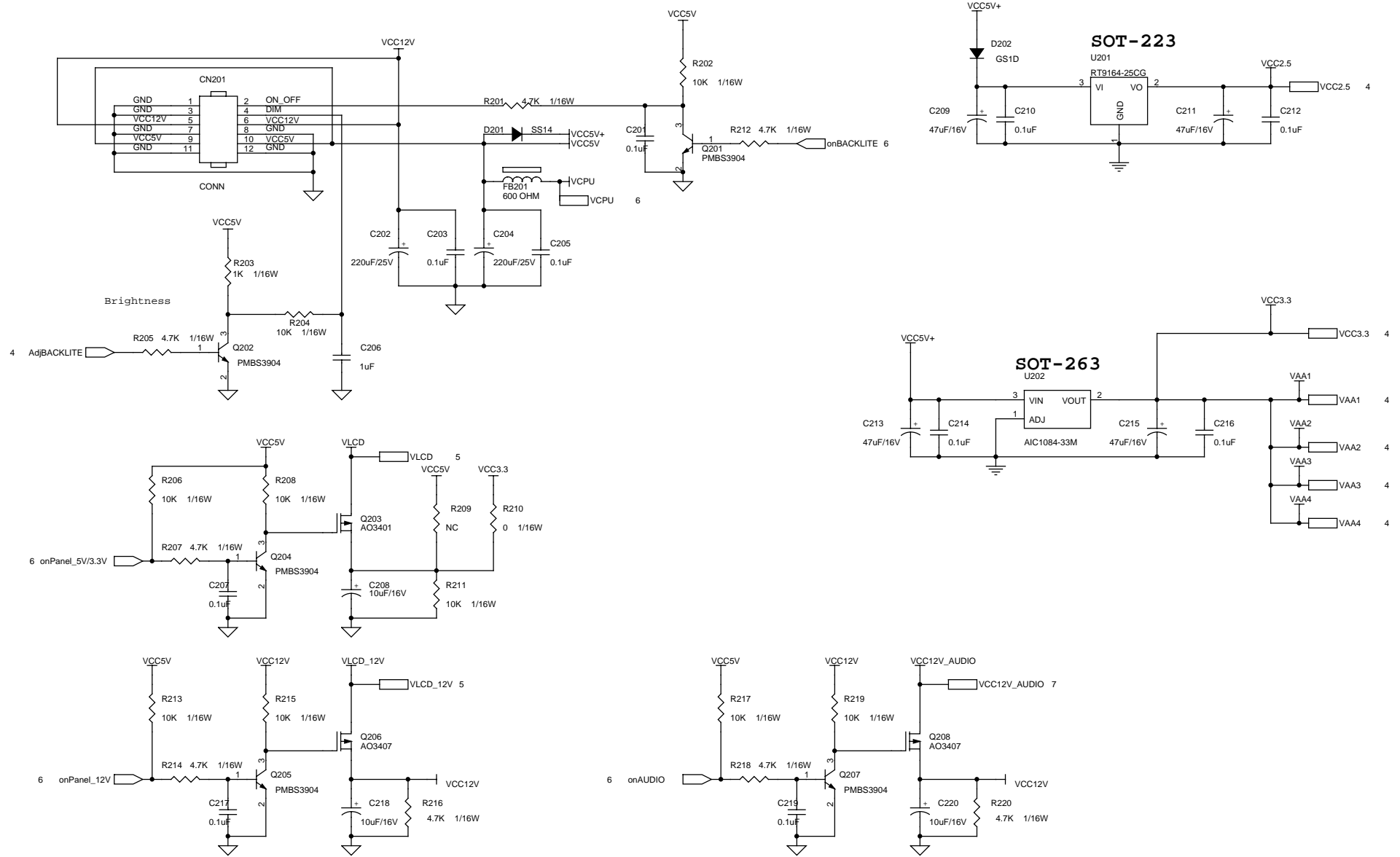
TSU56AK



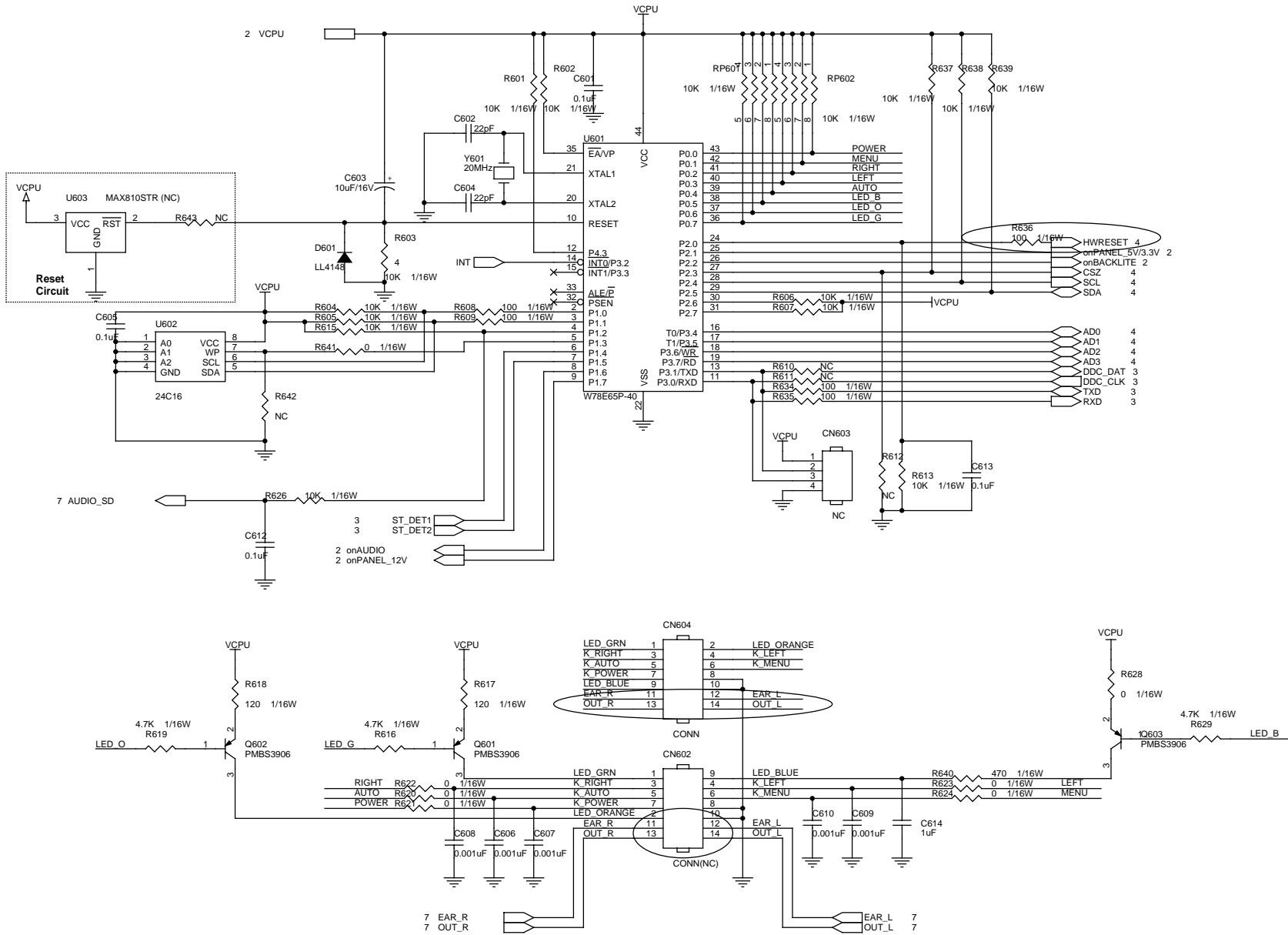
LVDS



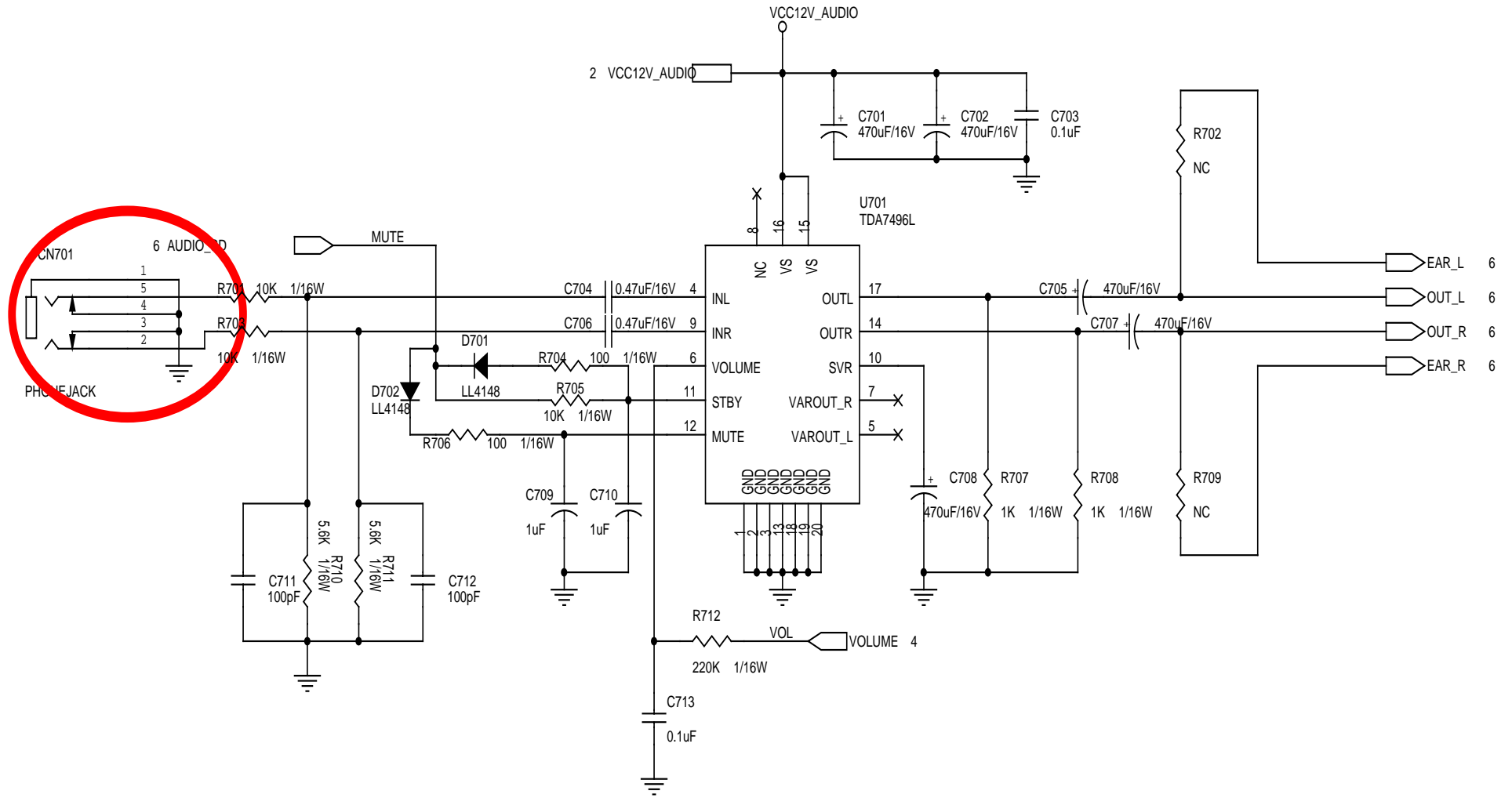
DC Power



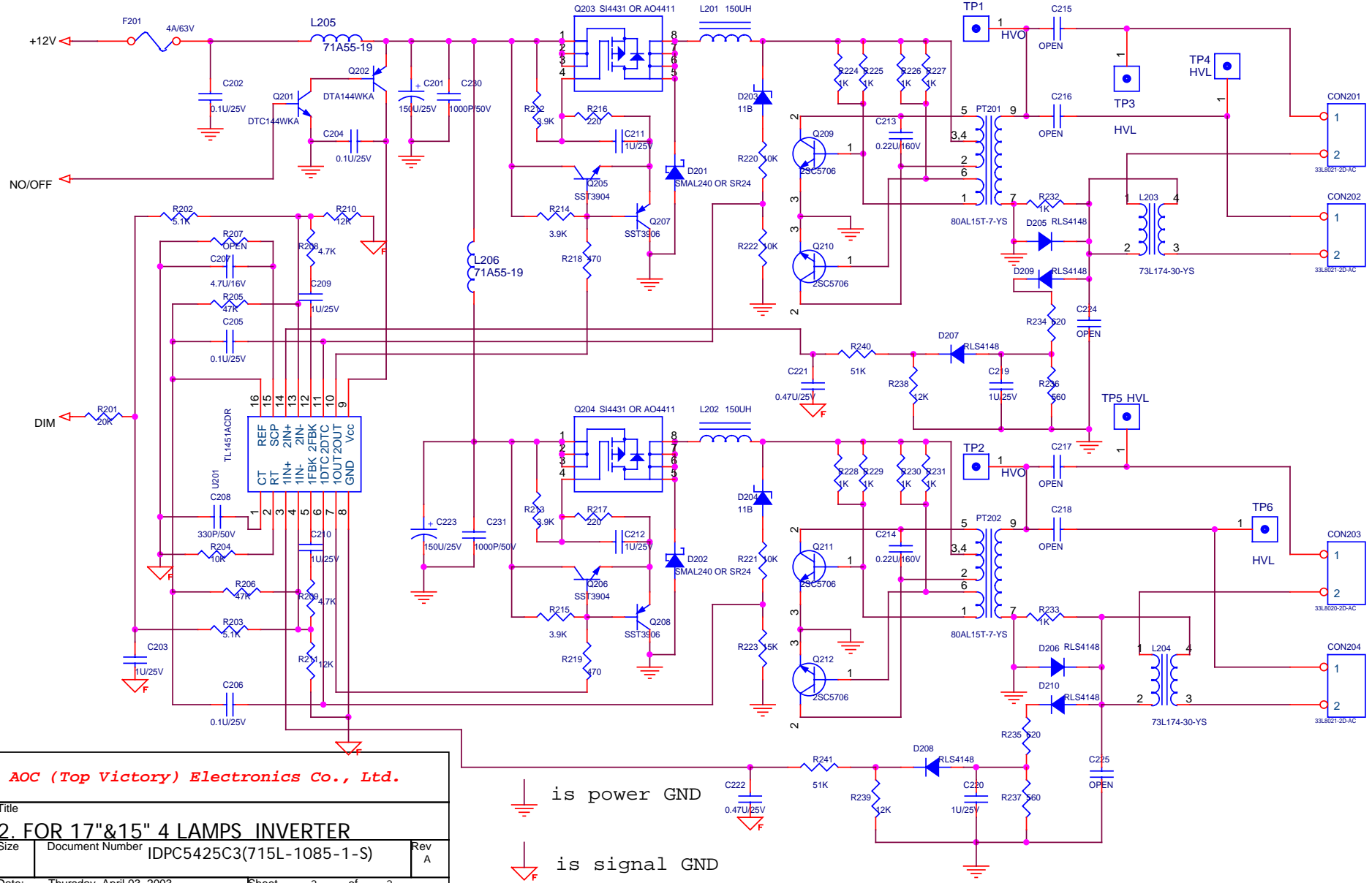
MCU/ Key Board Connector





Audio

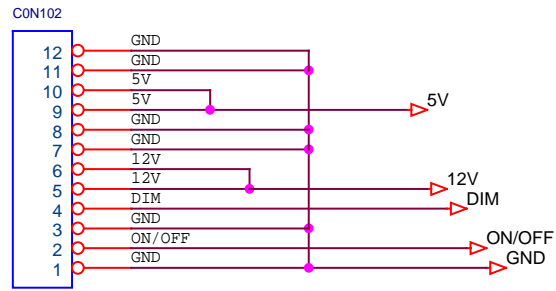
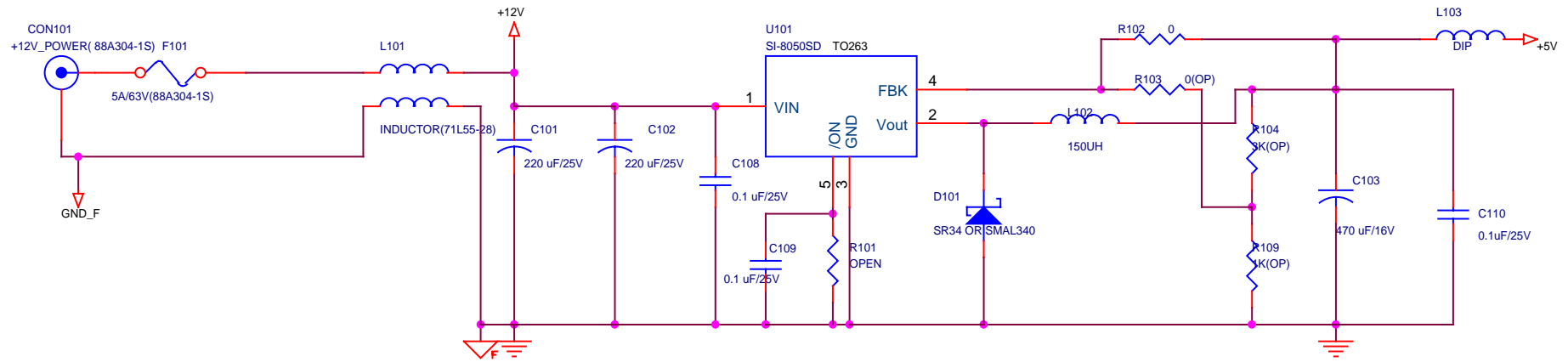


Inverter Board





AOC (Top Victory) Electronics Co., Ltd.		
Title		
2. FOR 17" & 15" 4 LAMPS INVERTER		
Size	Document Number	Rev
	IDPC5425C3(715L-1085-1-S)	A
Date: Thursday, April 03, 2003	Sheet 2 of 2	

 is power GND
 is signal GND



33A8009-12L-H

 is power GND
 is signal GND

AOC (Top Victory) Electronics Co., Ltd.		
Title		
1.POWER		
Size A	Document Number IDPC7425C3(715L1085-1-S)	Rev A
Date:	Thursday, April 03, 2003	Sheet 2 of 1