

Chapter 5

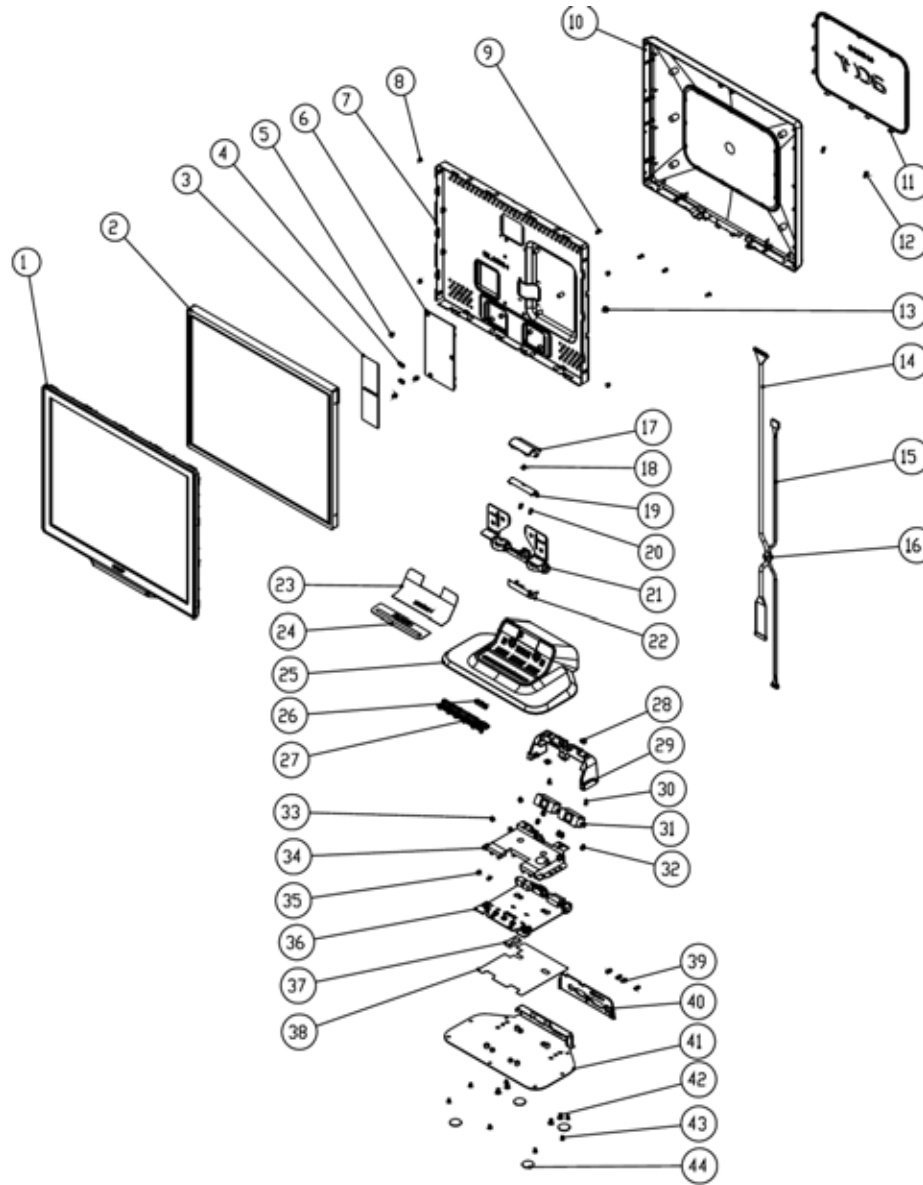
FRU (Field Replaceable Unit) List

This chapter gives you the FRU (Field Replaceable Unit) listing in global configurations of AL1951. Refer to this chapter whenever ordering for parts to repair or for RMA (Return Merchandise Authorization).

NOTE: Please note WHEN ORDERING FRU PARTS, that you should check the most up-to-date information available on your regional web or channel (<http://aicsl.acer.com.tw/spl/>). For whatever reasons a part number change is made, it will not be noted in the printed Service Guide. For ACER AUTHORIZED SERVICE PROVIDERS, your Acer office may have a DIFFERENT part number code from those given in the FRU list of this printed Service Guide. You MUST use the local FRU list provided by your regional Acer office to order FRU parts for repair and service of customer machines.

NOTE: To scrap or to return the defective parts, you should follow the local government ordinance or regulations on how to dispose it properly, or follow the rules set by your regional Acer office on how to return it.





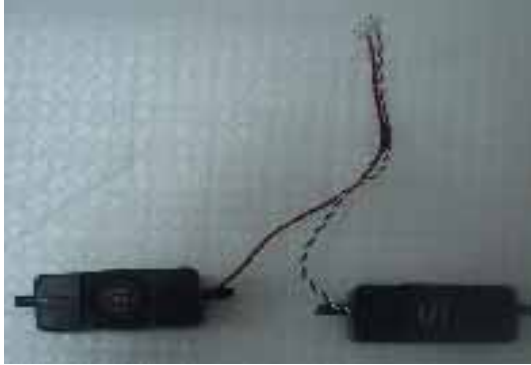
Exploded Diagram (Model: AL1951)



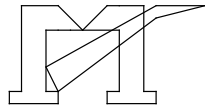
NO	P/N	PART NAME	DESCRIPTION	Q'TY
1	34G1541-1	BEZEL	ABS 94HB	1
2		PANEL		1
3	52L602511818	MYLAR INVERTER	MYLAR	1
4	12G6078-1	PDRON INVERTER	PDRON	2
5	MIL17306128	SCREW	Ø3X6 (INV-MAINFRAME)	3
6		INVERTER PCB	PCB	1
7	15L6191-1	MAINFRAME	SECC t=0.8	1
8	MIL1305120	SCREW	Ø3X5 (MAINFRAME-PANEL)	4
9	01L330847	SCREW	Ø3X8 (MAINFRAME-BEZEL)	4
10	34G1542-1	REAR COVER	ABS 94HB	1
11	34G1540-1	BACK COVER	ABS 94HB	1
12	01L330847	SCREW	Ø3X8 (BACK-BEZEL)	2
13	MIL17408120	SCREW	Ø4X8 (HINGE-MAINFRAME)	4
14		LVDS CABLE		1
15		INVERTER CABLE		1
16	50L500-510	CABLE TIES	< LVDS & INVERTER CABLE	1
17	33G4841-1	HINGE COVER UPPER	ABS 94HB	1
18	MIL17306128	SCREW	Ø3X6 (HINGE CAP-HINGE)	1
19	33G4843-1	HINGE CAP	ABS 94HB	1
20	01L1306120	SCREW	Ø3X6 (HINGE-HINGE COVER UPPER)	2
21	37L6030-2	HINGE		1
22	33G4842-1	HINGE COVER LOWER	ABS 94HB	1
23	36G802-1	SPEAKER NET	PC	1
24	33L6280-1	KEY DECORATION	PC	1
25	34G1537-1	BASE	ABS 94HB	1
26	33G4840-1	POWER BUTTON CAP	ABS TRANSPARENT	1
27	33G4839-1	KEY BUTTON	ABS 94HB	1
28	MIL174010128	SCREW	Ø4X10 (HINGE-HINGE HOLDER)	3
29	20L6005-1	HINGE HOLDER	ZINC ALLOY	1
30	01L330847	SCREW	Ø3X8 (HINGE HOLDER-BASE)	2
31		SPEAKER		1
32	MIL10306128	SCREW	Ø3X6 (SPEAKER-HINGE HOLDER)	4
33	MIL17306128	SCREW	Ø3X6 (SCALAR-PLATE)	4
34	85L6117-1	SHIELDING	SPTe t=0.3	1
35	MIL17306128	SCREW	Ø3X6 (SHIELDING-PLATE)	2
36		SCALAR PCB	PCB	1
37	12L6051-6	SR600A	26 X 12 t=5.5mm	1
38	52L602511817	MYLAR SCALAR	MYLAR	1
39	2L6001-1	NUT SCREW	(PLATE-BV1/DSUB)	4
40	33G4844-1	BASE BACK COVER	ABS 94HB	1
41	15L6192-2	BASE PLATE	SECC t=2	1
42	MIL1408120	SCREW	Ø4X8 (PLATE-HINGE HOLDER)	4
43	01L1306120	SCREW	Ø3X6 (PLATE-BASE)	7
44	12L394-3	FOOT PDRON	D.D. 20mm, t=1.5mm	4

Part List

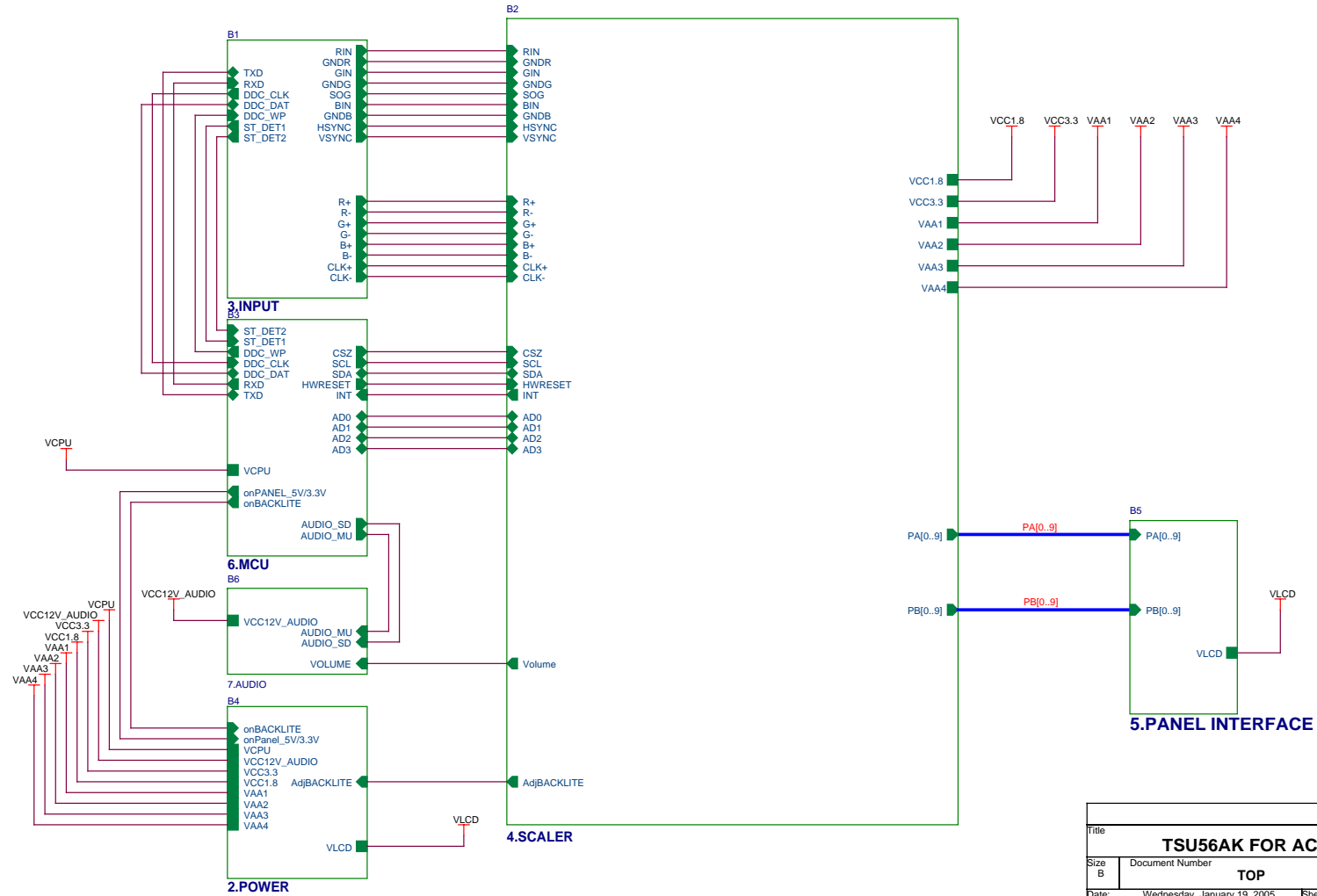
Item	Picture	Description	Part No.
1		Hinge cover	33G4841 QT L 33G4843 QT L
2		Bezel	34G1541AQW B
3		Back cover	34G1542 QT B
4		SHIELDING	85L6117 1

5		MAIN FRAME	15L6191 1
6		Panel	750LLS90EX1
7		Power board	INPC1942SEA1
8		Main board	CBPC980KS2AY
9		Speakers	78G 322 3 L& 78G 322 3 R

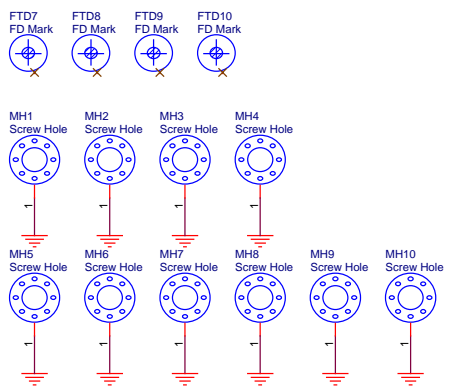
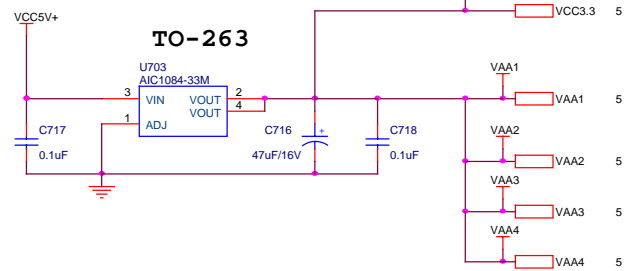
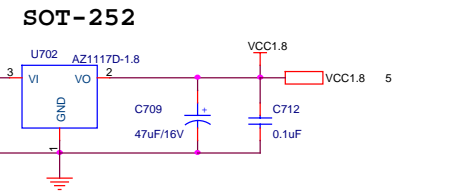
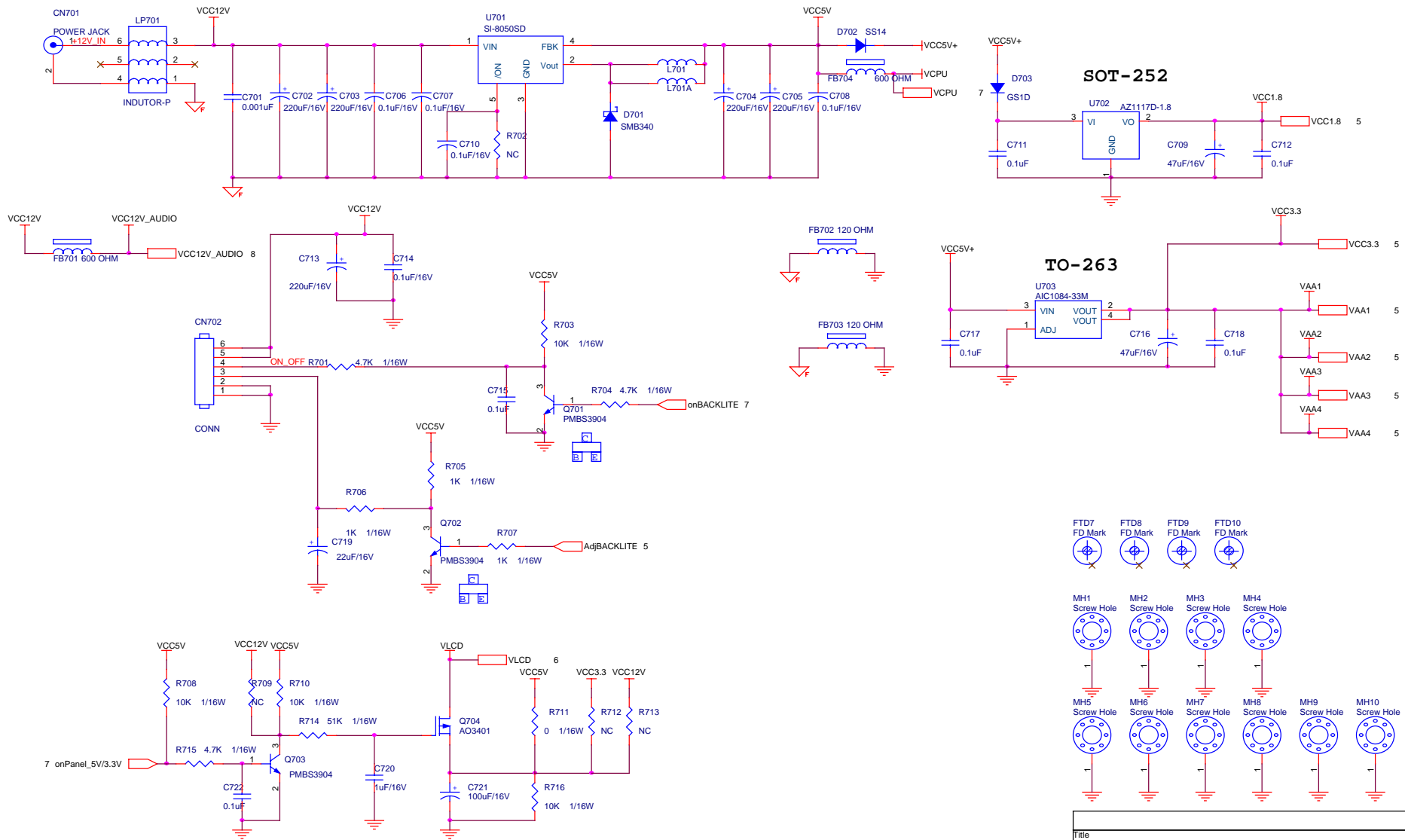
Schematic Diagram



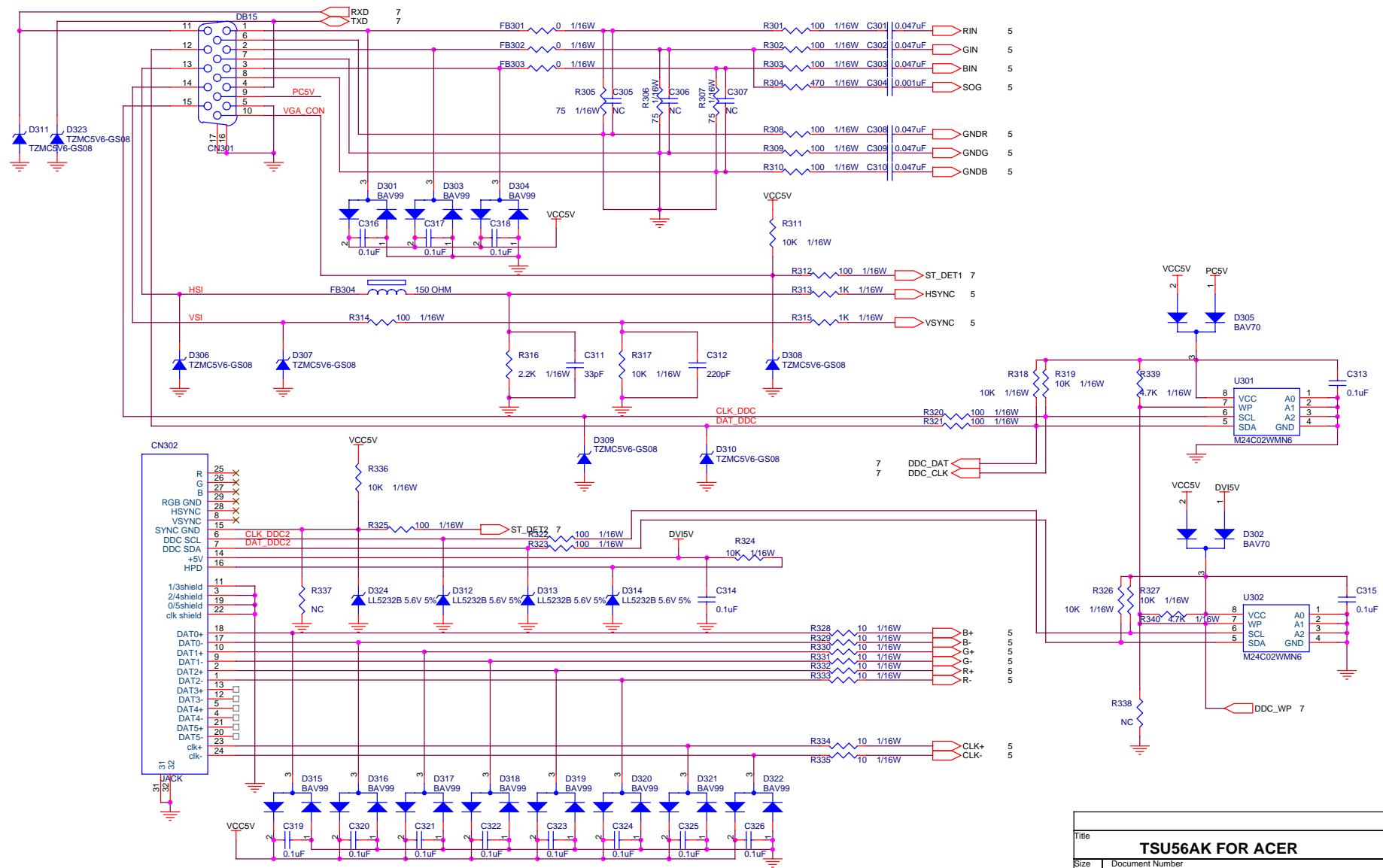
TSU56AK SCHEMATIC



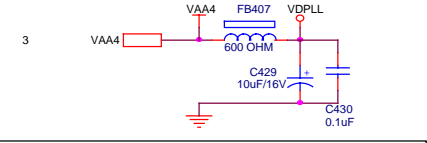
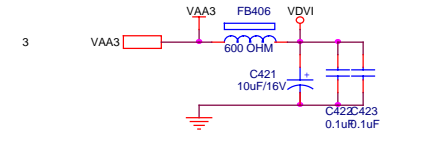
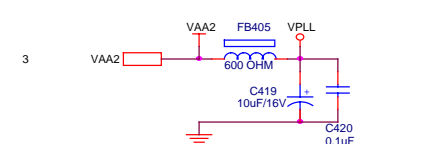
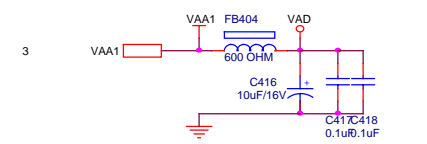
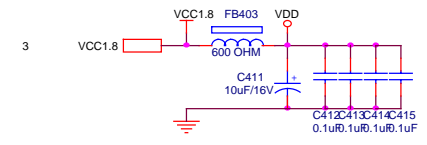
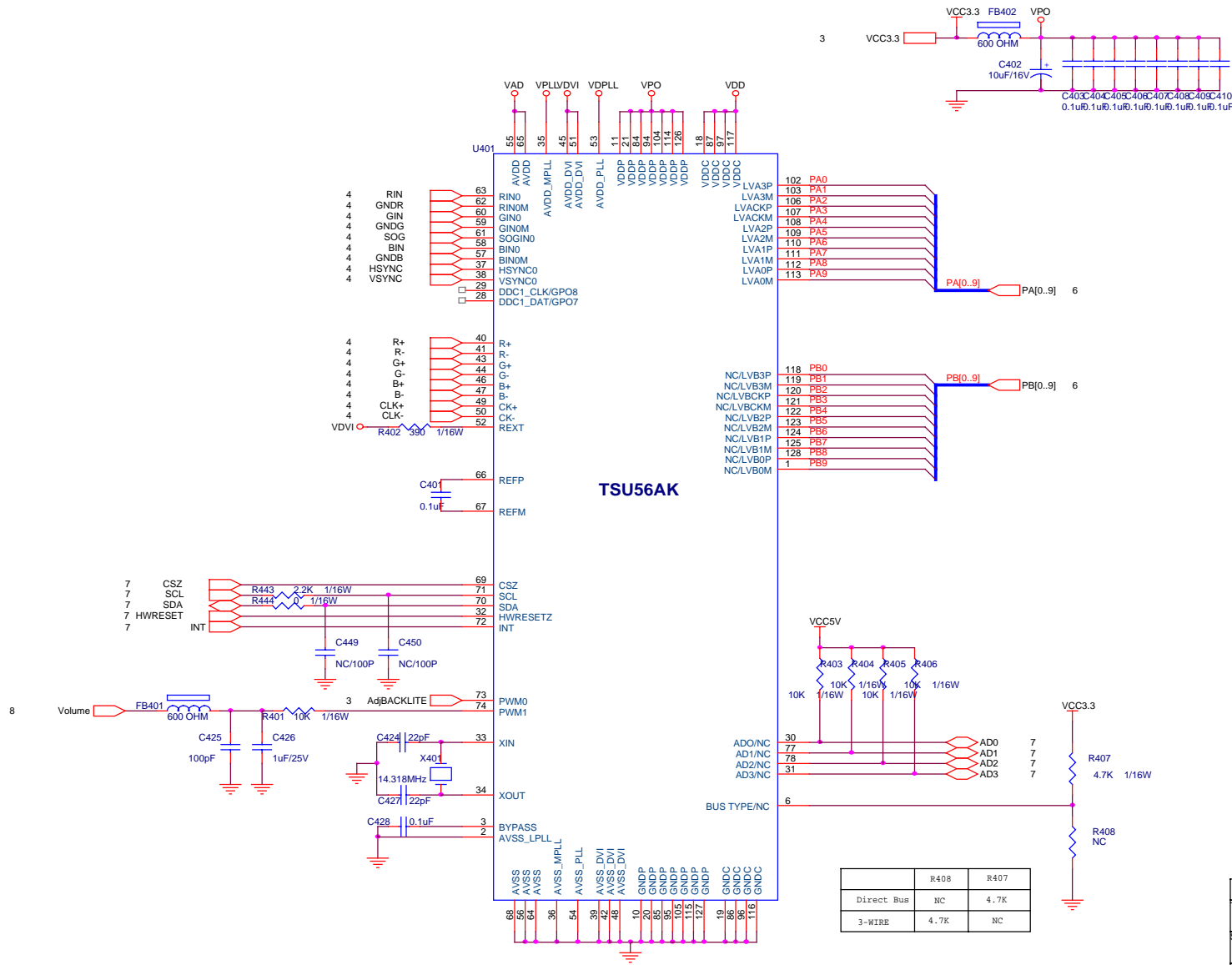
Title		
TSU56AK FOR ACER		
Size	Document Number	Rev
B	TOP	D
Date:	Wednesday, January 19, 2005	Sheet 2 of 8



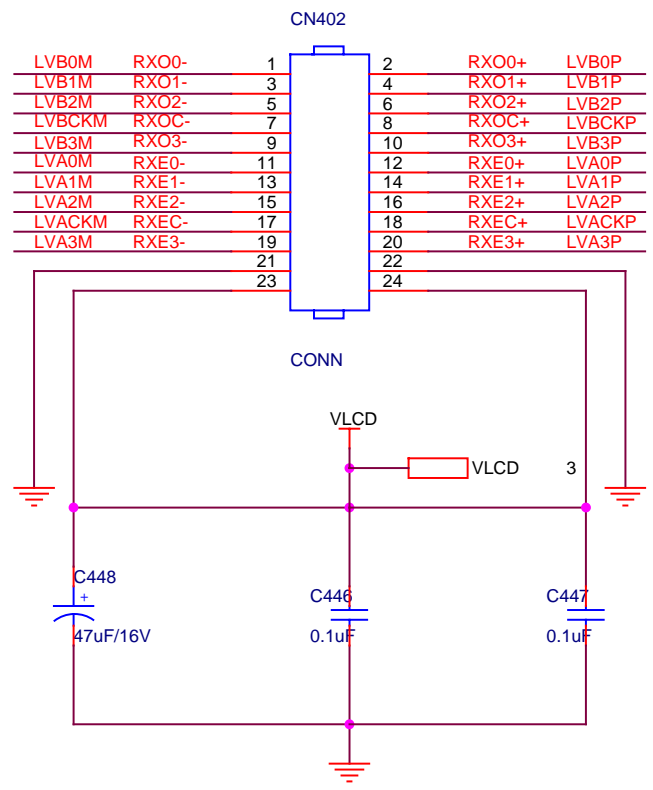
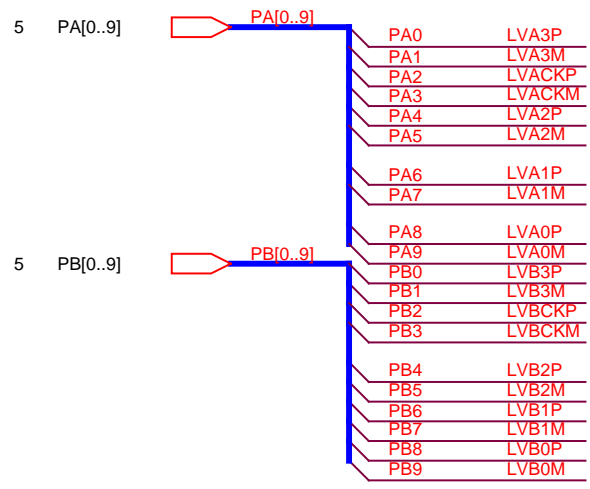
Title			
TSU56AK FOR ACER			
Size	Document Number	Rev	
B	POWER	D	
Date:	Wednesday, January 19, 2005	Sheet	3 of 8



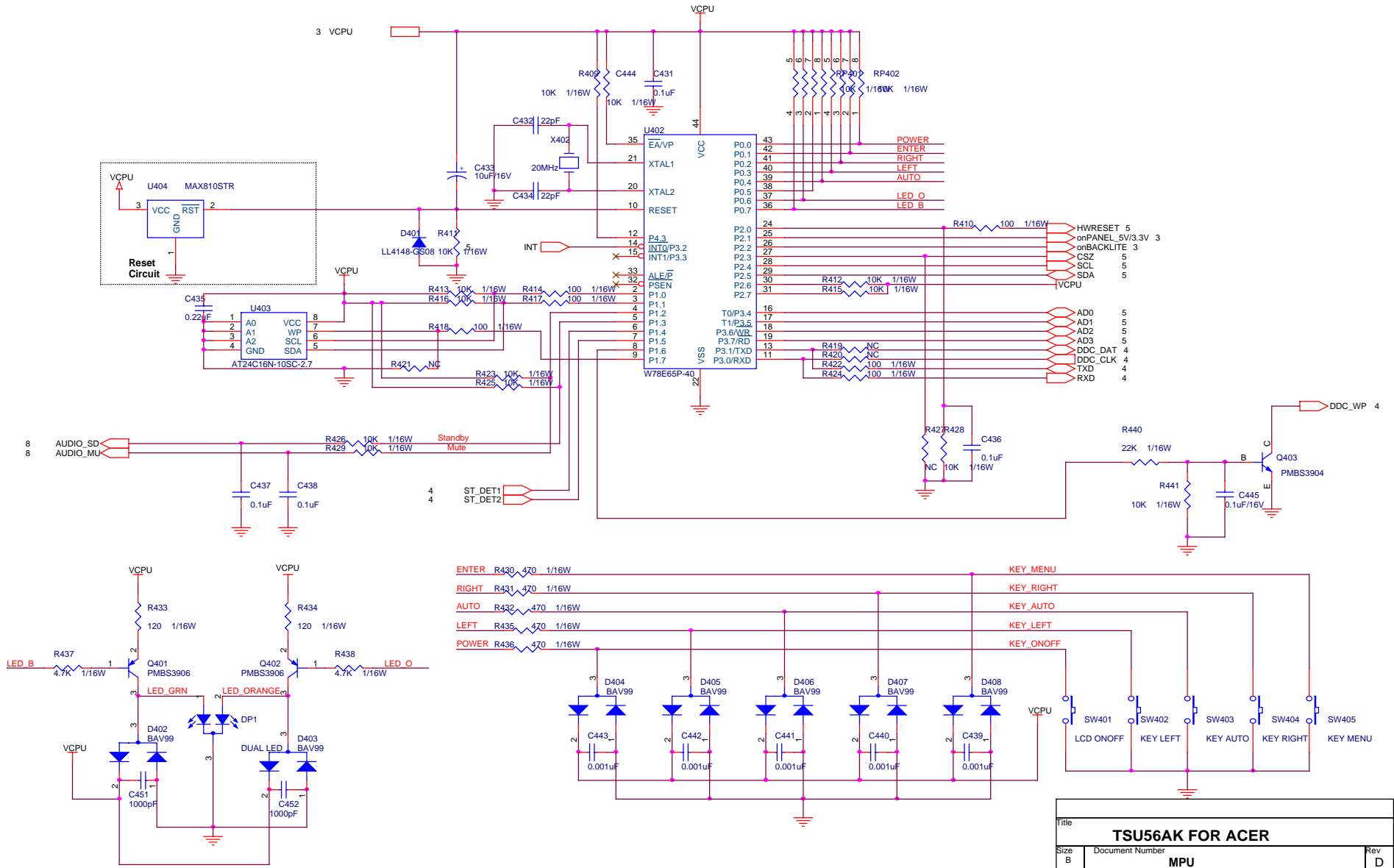
Title			TSU56AK FOR ACER		
Size	Document Number				
B	INPUT		D		
Date:	Wednesday, January 19, 2005	Sheet	4 of 8		



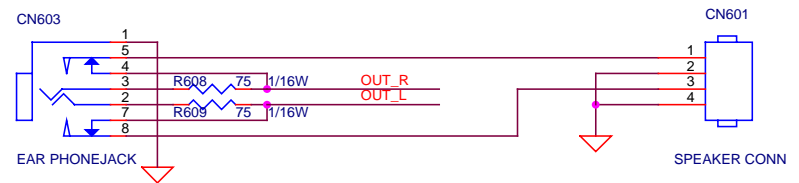
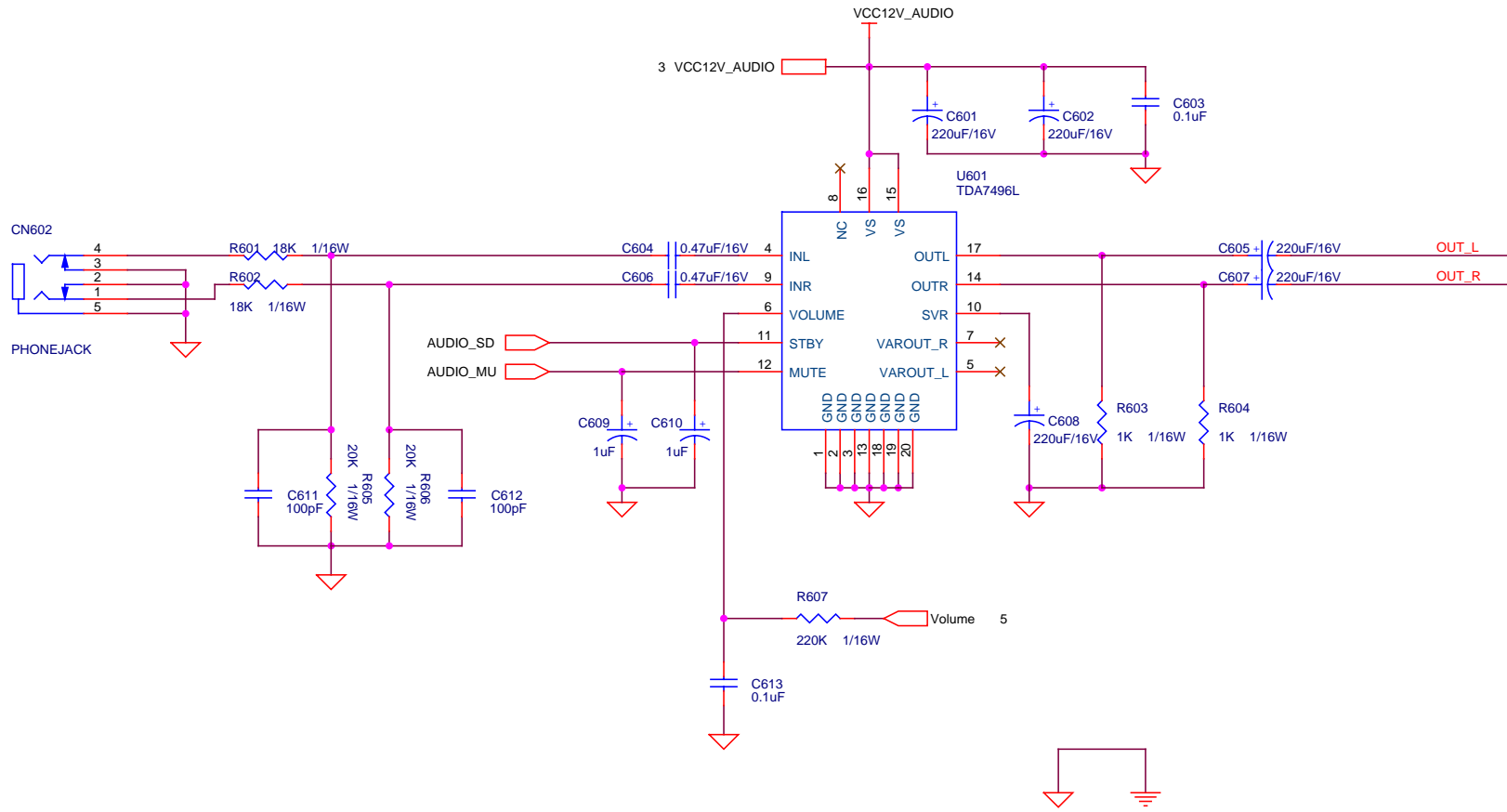
Title		
TSU56AK FOR ACER		
Size	Document Number	Rev
B	SCALER	D
Date:	Wednesday, January 19, 2005	Sheet 5 of 8



Title			
TSU56AK FOR ACER			
Size	Document Number	Rev	
A	PANEL INTERFACE	D	
Date:	Wednesday, January 19, 2005	Sheet	6 of 8

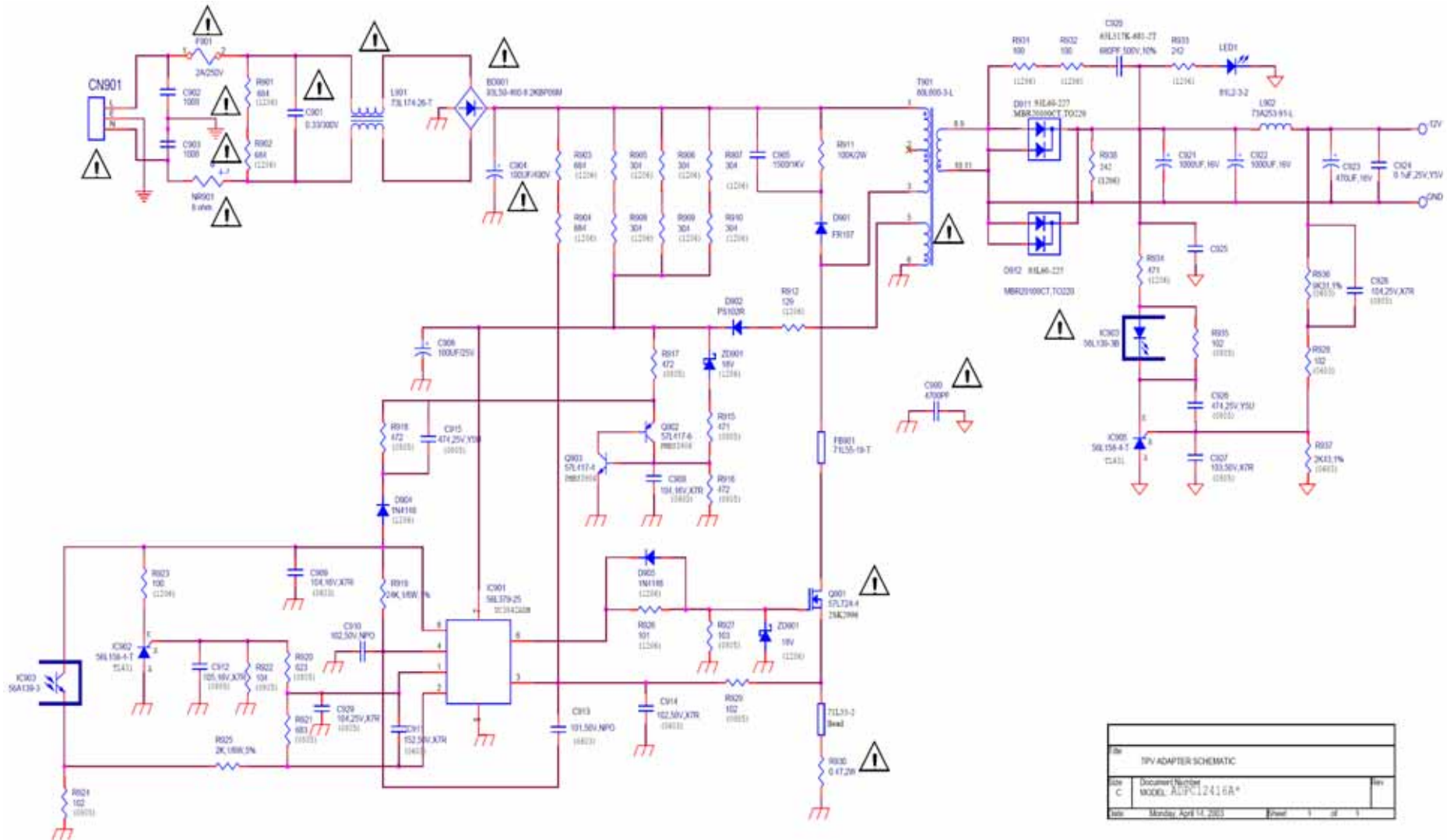


Title		
TSU56AK FOR ACER		
Size	Document Number	Rev
B	MPU	D
Date:	Wednesday, January 19, 2005	Sheet 7 of 8

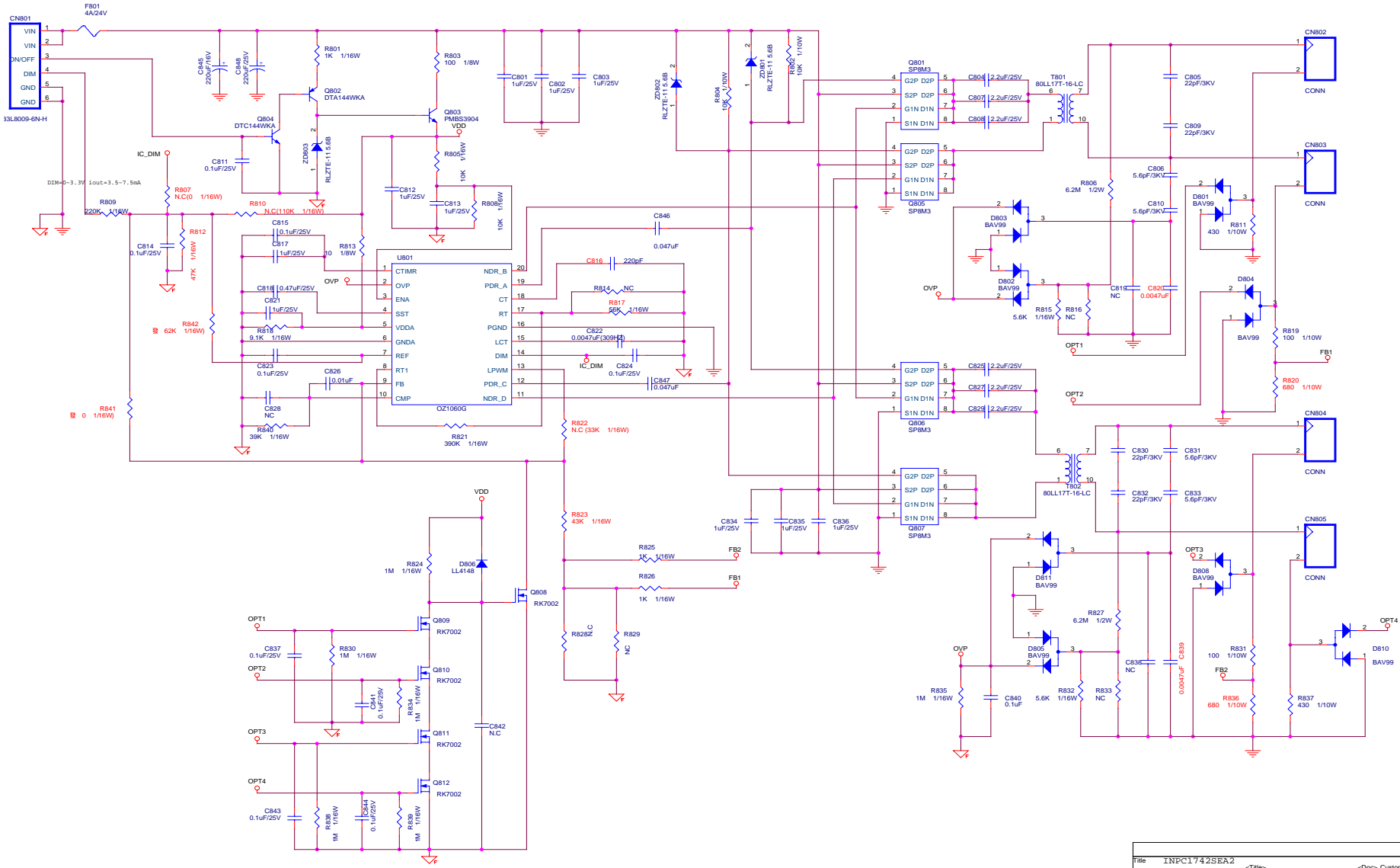


Title		
TSU56AK FOR ACER		
Size	Document Number	Rev
A4	<Doc>	<RevCode>
Date:	Wednesday, January 19, 2005	Sheet 8 of 8

Adapter Board



Inverter Board



Title		INPC1742SEA2		<Title>		<Doc> Custom	
Size	Document Number			<RevCode>		Rev	
Date:	Wednesday, February 02, 2005			Sheet		1 of 1	