



P/N : AFN30086058

APRIL, 2006

LG Electronics Inc.

SERVICE MANUAL MODELS: LX-D2560, LX-D2960, LX-D3960, KR-2500DV, LX-D6960, KR-5550DV, LX-K4960, LX-K7960, LF-K3560Q, LF-K3565Q, LF-K3960Q



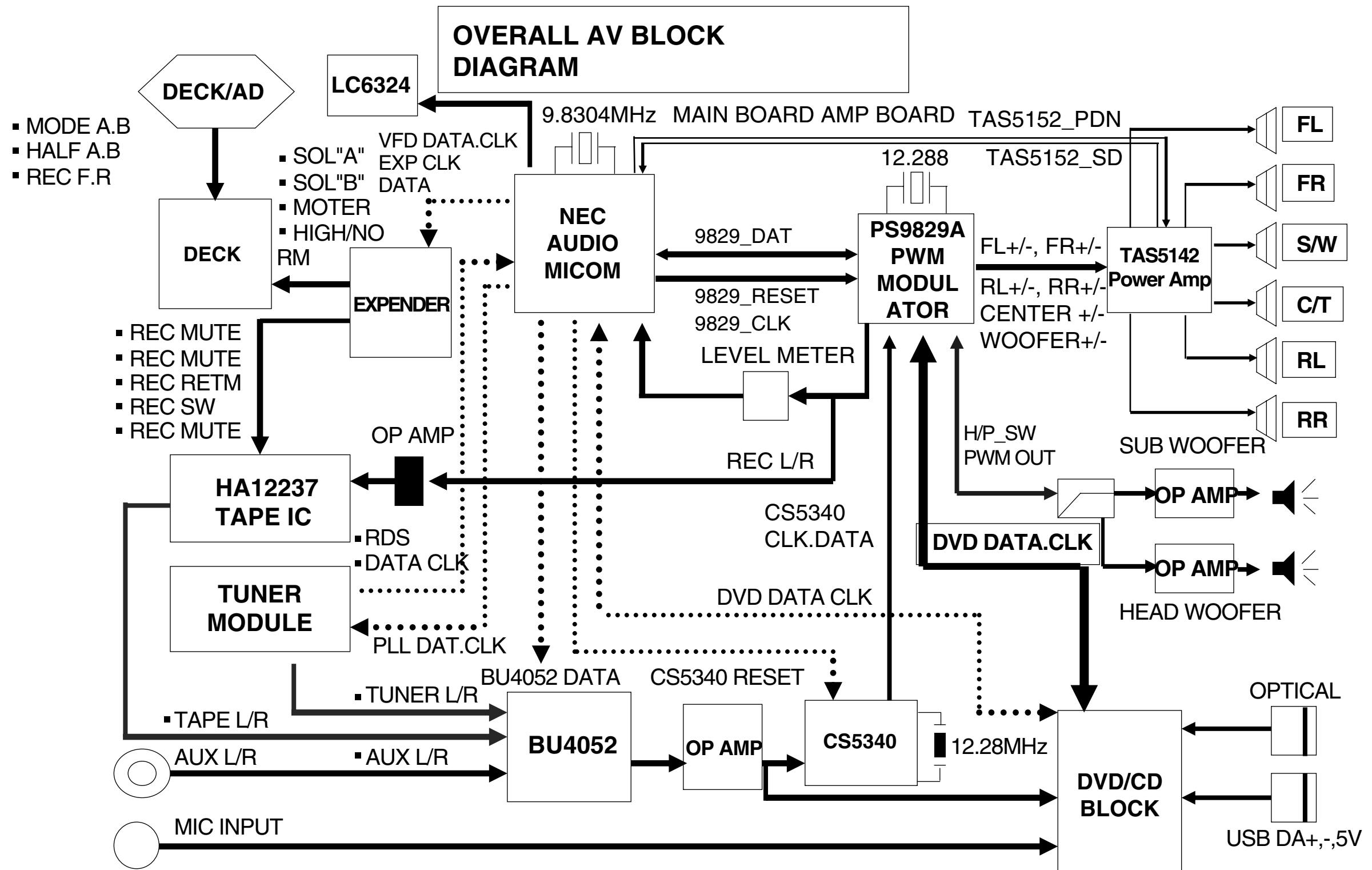
# MINI HOME THEATER SERVICE MANUAL

## CAUTION

BEFORE SERVICING THE UNIT, READ THE "SAFETY PRECAUTIONS" IN THIS MANUAL.

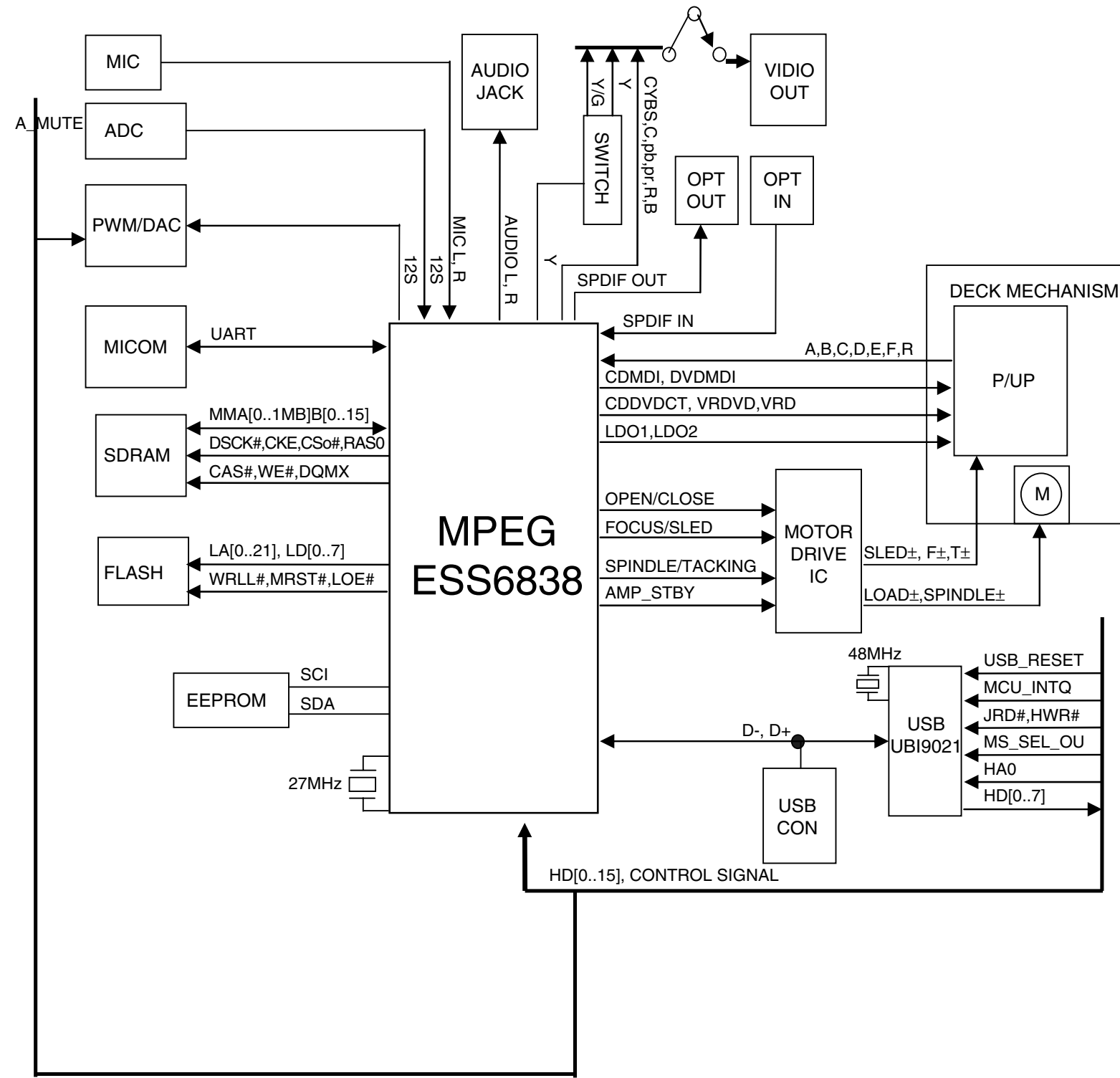
**MODELS:** LX-D2560 (LXS-D2560V)  
LX-D2960 (LXS-D2960V)  
LX-D3960 (LXS-D3960W, D3960V)  
KR-2500DV (LXS-D3960W, D3960V)  
LX-D6960 (LXS-D6960W, D6960V, D6960C, D6960T)  
KR-5550DV (LXS-D6960W, D6960V, D6960C, D6960T)  
LX-K4960 (LXS-K4960W, K4960V)  
LX-K7960 (LXS-K7960W, K7960V, K7960C, K7960T)  
LF-K3560Q (LF-K3560, K3560V)  
LF-K3565Q (LF-K3565, K3565V)  
LF-K3960Q (LF-K3960, K3960V)

# □ BLOCK DIAGRAM

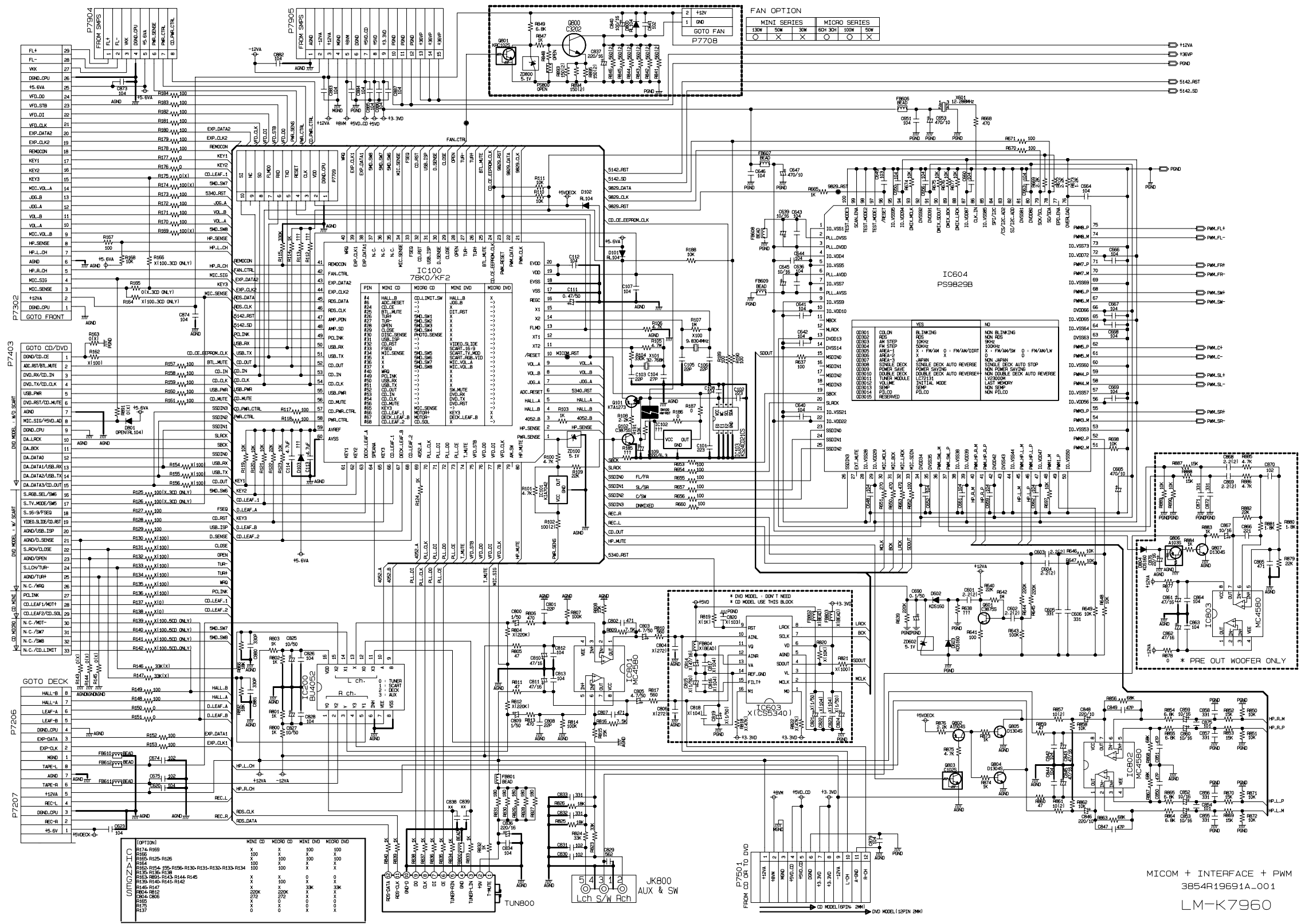


# SCHEMATIC DIAGRAMS

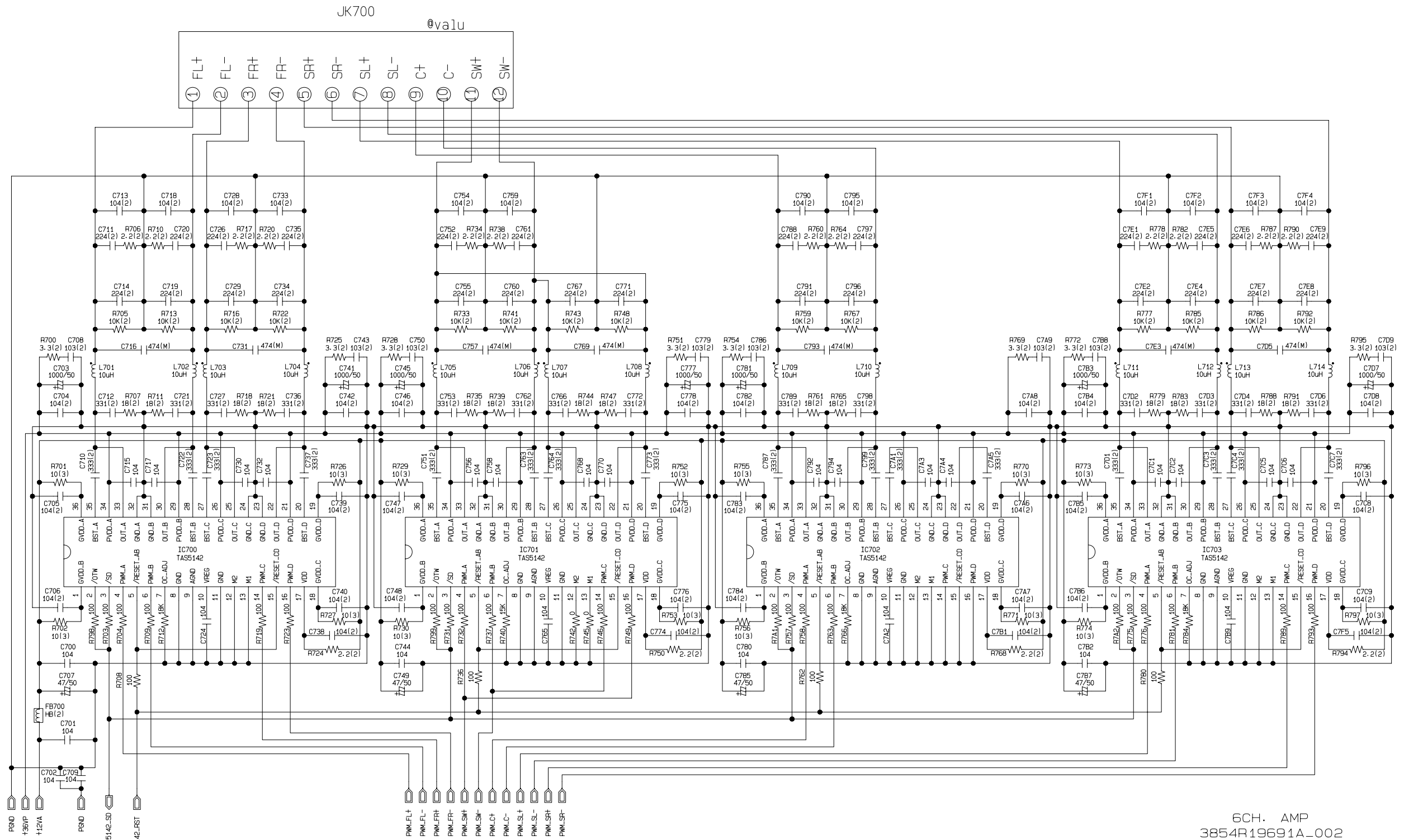
## MAIN SCHEMATIC DIAGRAM



# • μ-COM/INTERFACE/PWM SCHEMATIC DIAGRAM



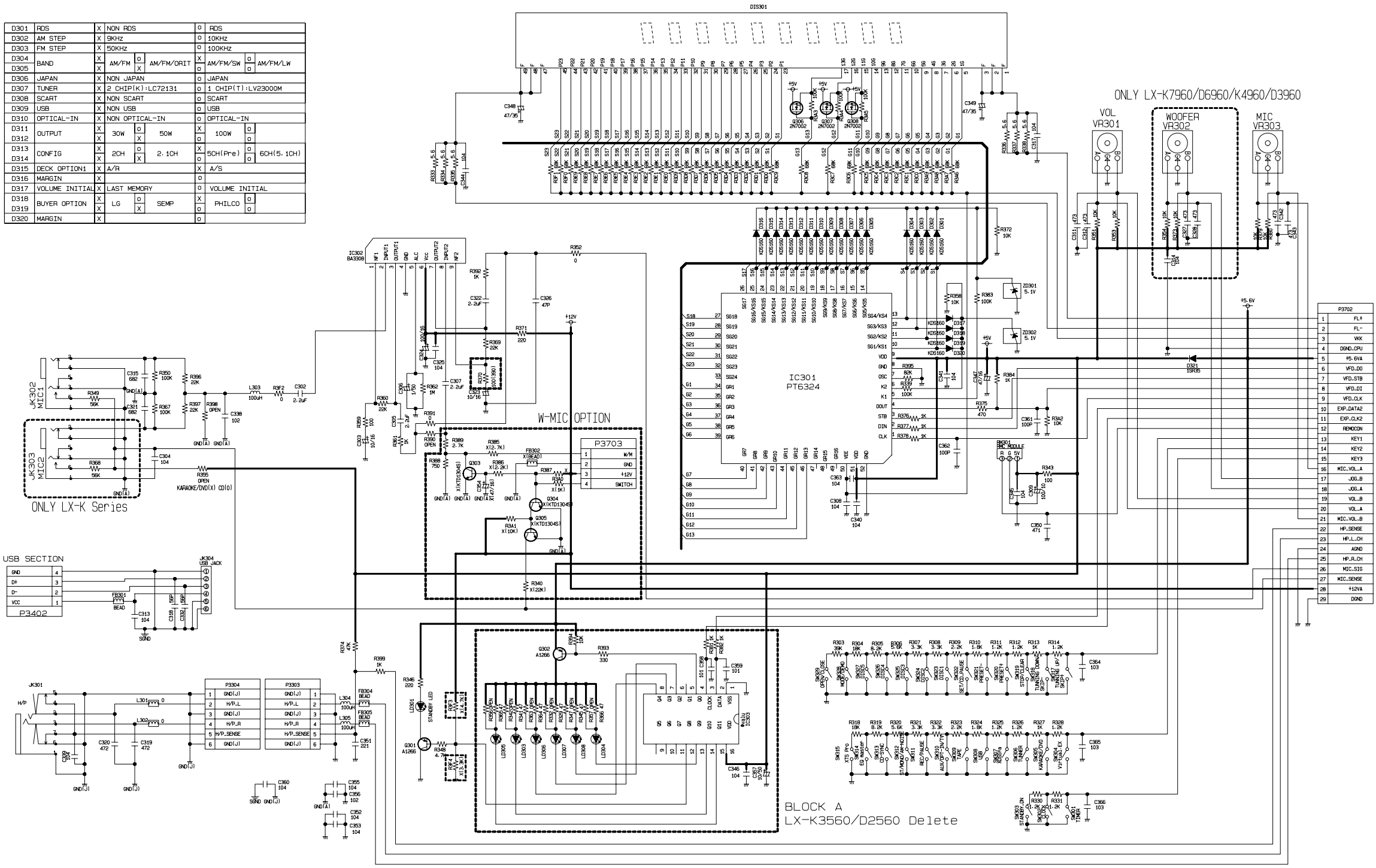
# • 6CH\_AMP SCHEMATIC DIAGRAM



6CH. AMP  
3854R19691A\_002  
LM-K7960

# • FRONT SCHEMATIC DIAGRAM

D301	RDS	X	NON RDS	O	RDS
D302	AM STEP	X	9KHZ	O	10KHZ
D303	FM STEP	X	50KHZ	O	100KHZ
D304	BAND	X	AM/FM	O	AM/FM/DRIT
D305		X		X	AM/FM/SW
D306		X		O	AM/FM/LW
D306	JAPAN	X	NON JAPAN	O	JAPAN
D307	TUNER	X	2 CHIP(K):LC72131	O	1 CHIP(T):LV23000M
D308	SCART	X	NON SCART	O	SCART
D309	USB	X	NON USB	O	USB
D310	OPTICAL-IN	X	NON OPTICAL-IN	O	OPTICAL-IN
D311	OUTPUT	X	30W	X	50W
D312		X		O	100W
D313	CONFIG	X	2CH	X	2.1CH
D314		X		O	5CH(Pre)
D314		X		O	6CH(5.1CH)
D315	DECK OPTION1	X	A/R	X	A/S
D316	MARGIN	X		O	
D317	VOLUME INITIAL	X	LAST MEMORY	O	VOLUME INITIAL
D318	BUYER OPTION	X	LG	O	SEMP
D319		X		X	PHILCO
D320	MARGIN	X		O	

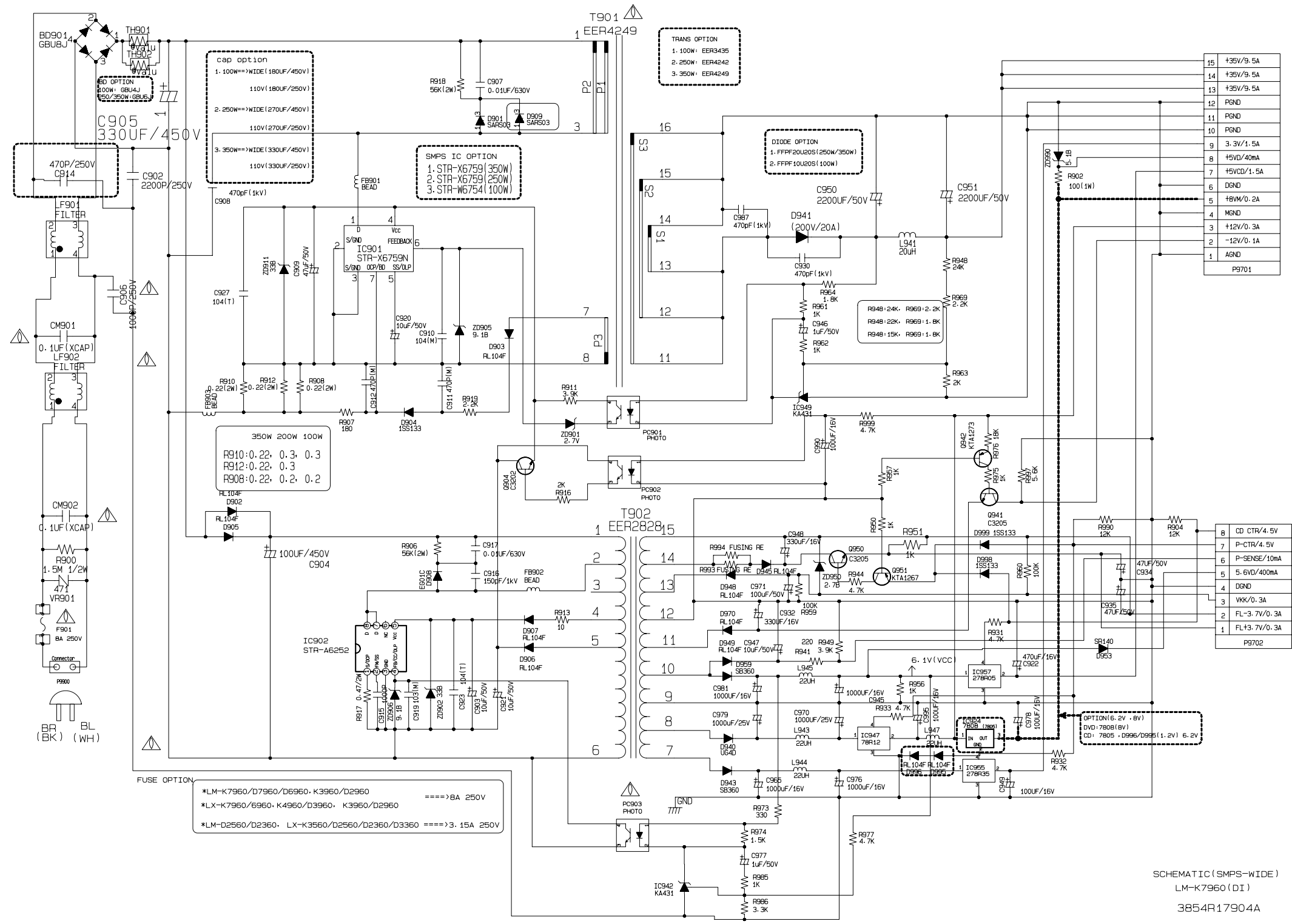


	LX-K7960/D6960	LX-K3565	LX-K3560/D2560
BLOCK A	<input type="checkbox"/>	<input type="checkbox"/>	<input checked="" type="checkbox"/>
R0F3	<input checked="" type="checkbox"/>	<input checked="" type="checkbox"/>	4.7K
R044	<input checked="" type="checkbox"/>	<input checked="" type="checkbox"/>	3.3K
LD004	<input type="checkbox"/>	<input checked="" type="checkbox"/>	<input checked="" type="checkbox"/>
LD006	<input type="checkbox"/>	<input checked="" type="checkbox"/>	<input checked="" type="checkbox"/>

3854R17870A  
LX-K7960 Series\_ Front



# • SMPS SCHEMATIC DIAGRAM



15	+35V/9.5A
14	+35V/9.5A
13	+35V/9.5A
12	PGND
11	PGND
10	PGND
9	3.3V/1.5A
8	+5VD/40mA
7	+5VCD/1.5A
6	DGND
5	+8VM/0.2A
4	MGND
3	+12V/0.3A
2	-12V/0.1A
1	AGND

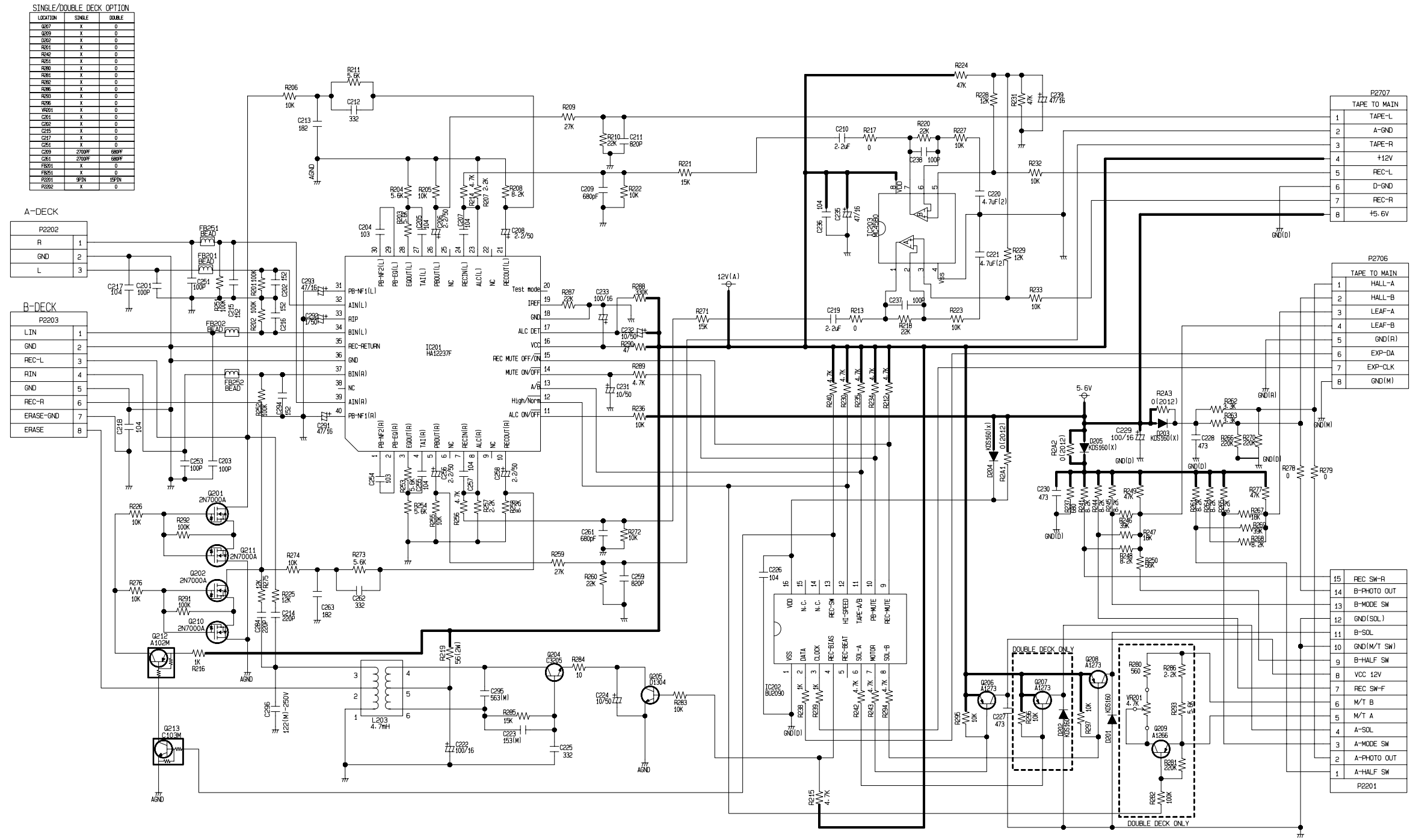
P9701

8	CD CTR/4.5V
7	P-CTR/4.5V
6	P-SENSE/10mA
5	5.6VD/400mA
4	DGND
3	VKK/0.3A
2	FL-3.7V/0.3A
1	FL+3.7V/0.3A

P9702

SCHEMATIC (SMPS-WIDE)  
LM-K7960 (DI)  
3854R17904A

# • DECK SCHEMATIC DIAGRAM



SINGLE/DOUBLE DECK OPTION		
LOCATION	SINGLE	DOUBLE
Q207	X	0
Q209	X	0
D202	X	0
R201	X	0
R202	X	0
R203	X	0
R204	X	0
R205	X	0
R206	X	0
R207	X	0
R208	X	0
R209	X	0
R210	X	0
R211	X	0
R212	X	0
R213	X	0
R214	X	0
R215	X	0
R216	X	0
R217	X	0
R218	X	0
R219	X	0
R220	X	0
R221	X	0
R222	X	0
R223	X	0
R224	X	0
R225	X	0
R226	X	0
R227	X	0
R228	X	0
R229	X	0
R230	X	0
R231	X	0
R232	X	0
R233	X	0
R234	X	0
R235	X	0
R236	X	0
R237	X	0
R238	X	0
R239	X	0
R240	X	0
R241	X	0
R242	X	0
R243	X	0
R244	X	0
R245	X	0
R246	X	0
R247	X	0
R248	X	0
R249	X	0
R250	X	0
R251	X	0
R252	X	0
R253	X	0
R254	X	0
R255	X	0
R256	X	0
R257	X	0
R258	X	0
R259	X	0
R260	X	0
R261	X	0
R262	X	0
R263	X	0
R264	X	0
R265	X	0
R266	X	0
R267	X	0
R268	X	0
R269	X	0
R270	X	0
R271	X	0
R272	X	0
R273	X	0
R274	X	0
R275	X	0
R276	X	0
R277	X	0
R278	X	0
R279	X	0
R280	X	0
R281	X	0
R282	X	0
R283	X	0
R284	X	0
R285	X	0
R286	X	0
R287	X	0
R288	X	0
R289	X	0
R290	X	0
R291	X	0
R292	X	0
R293	X	0
R294	X	0
R295	X	0
R296	X	0
C201	X	0
C202	X	0
C203	X	0
C204	X	0
C205	X	0
C206	X	0
C207	X	0
C208	X	0
C209	X	0
C210	X	0
C211	X	0
C212	X	0
C213	X	0
C214	X	0
C215	X	0
C216	X	0
C217	X	0
C218	X	0
C219	X	0
C220	X	0
C221	X	0
C222	X	0
C223	X	0
C224	X	0
C225	X	0
C226	X	0
C227	X	0
C228	X	0
C229	X	0
C230	X	0
C231	X	0
C232	X	0
C233	X	0
C234	X	0
D201	X	0
D202	X	0
D203	X	0
D204	X	0
D205	X	0
D206	X	0
D207	X	0
D208	X	0
D209	X	0
D210	X	0
D211	X	0
D212	X	0
D213	X	0
D214	X	0
D215	X	0
D216	X	0
D217	X	0
D218	X	0
D219	X	0
D220	X	0
D221	X	0
D222	X	0
D223	X	0
D224	X	0
D225	X	0
D226	X	0
D227	X	0
D228	X	0
D229	X	0
D230	X	0
D231	X	0
D232	X	0
D233	X	0
D234	X	0
D235	X	0
D236	X	0
D237	X	0
D238	X	0
D239	X	0
D240	X	0
D241	X	0
D242	X	0
D243	X	0
D244	X	0
D245	X	0
D246	X	0
D247	X	0
D248	X	0
D249	X	0
D250	X	0

A-DECK	
P2202	1
R	2
GND	3
L	3

B-DECK	
P2203	1
LTN	2
GND	3
REC-L	4
RIN	5
GND	6
REC-R	7
ERASE-GND	8
ERASE	8

P2707	
TAPE TO MAIN	
1	TAPE-L
2	A-GND
3	TAPE-R
4	+12V
5	REC-L
6	D-GND
7	REC-R
8	+5.6V

P2706	
TAPE TO MAIN	
1	HALL-A
2	HALL-B
3	LEAF-A
4	LEAF-B
5	GND(R)
6	EXP-DA
7	EXP-CLK
8	GND(M)

15	REC SW-R
14	B-PHOTO OUT
13	B-MODE SW
12	GND(SOL)
11	B-SOL
10	GND(M/T SW)
9	B-HALF SW
8	VCC 12V
7	REC SW-F
6	M/T B
5	M/T A
4	A-SOL
3	A-MODE SW
2	A-PHOTO OUT
1	A-HALF SW
P2201	

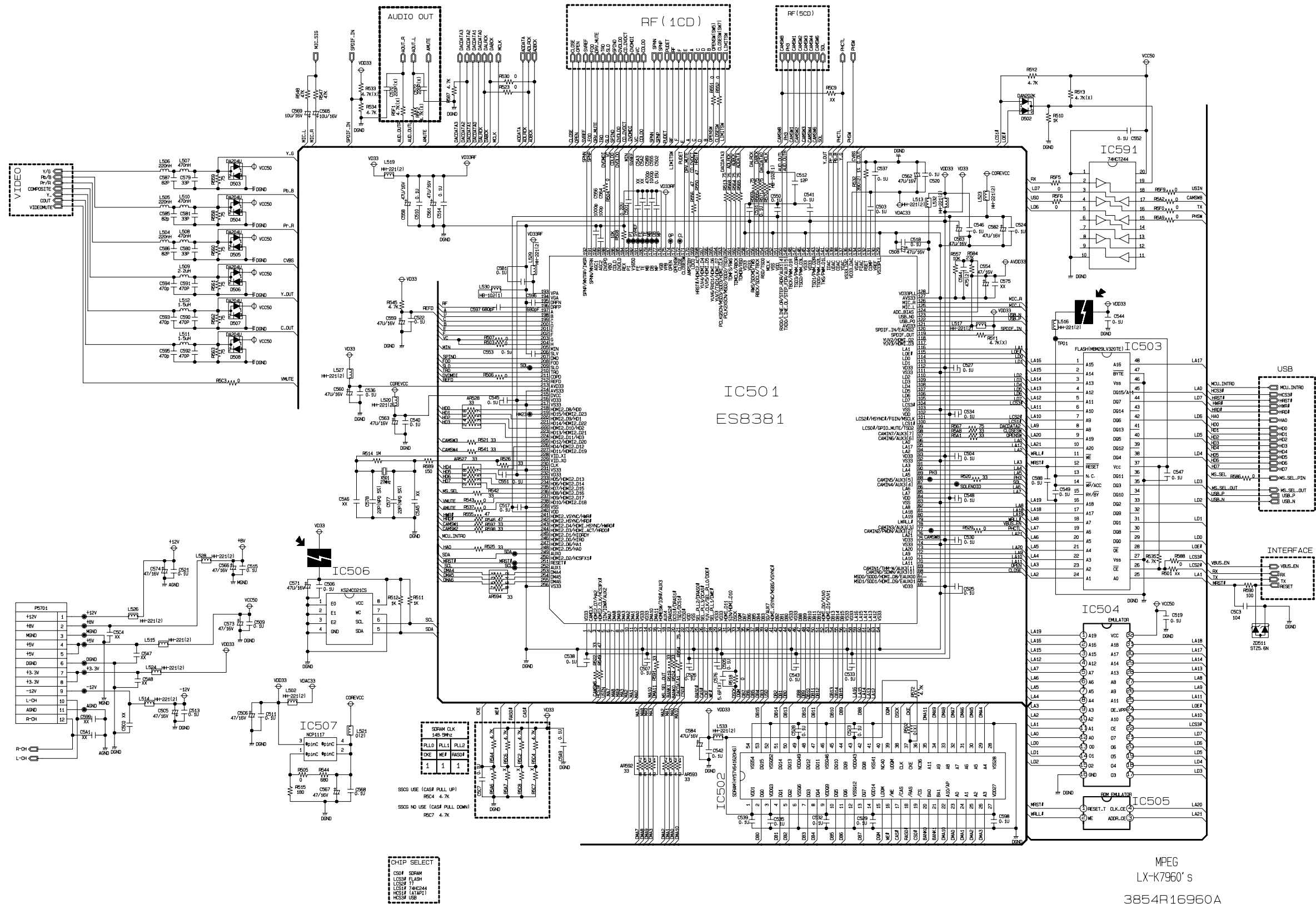
LOCATION NUMBER	AUTOSTOP	AUTO REVERSE
R225, R275	47K	12K
C220	182 (M)	122 (M)
C234	682 (M)	562 (M)
C296	222 (M)	122 (M)

DECK  
2006.01.23  
3854R19693A

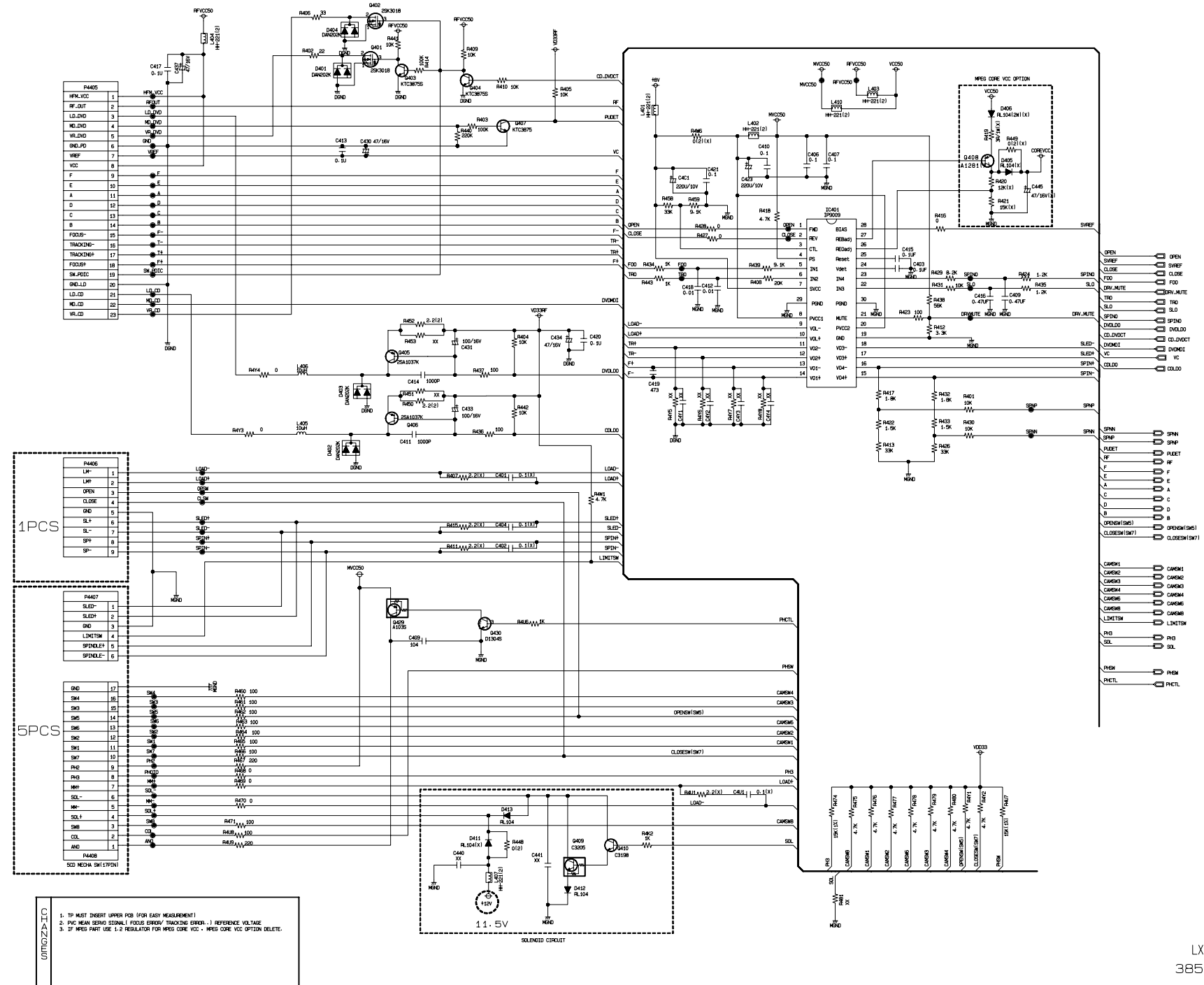


# □ DVD SCHEMATIC DIAGRAMS

## • MPEG SCHEMATIC DIAGRAM

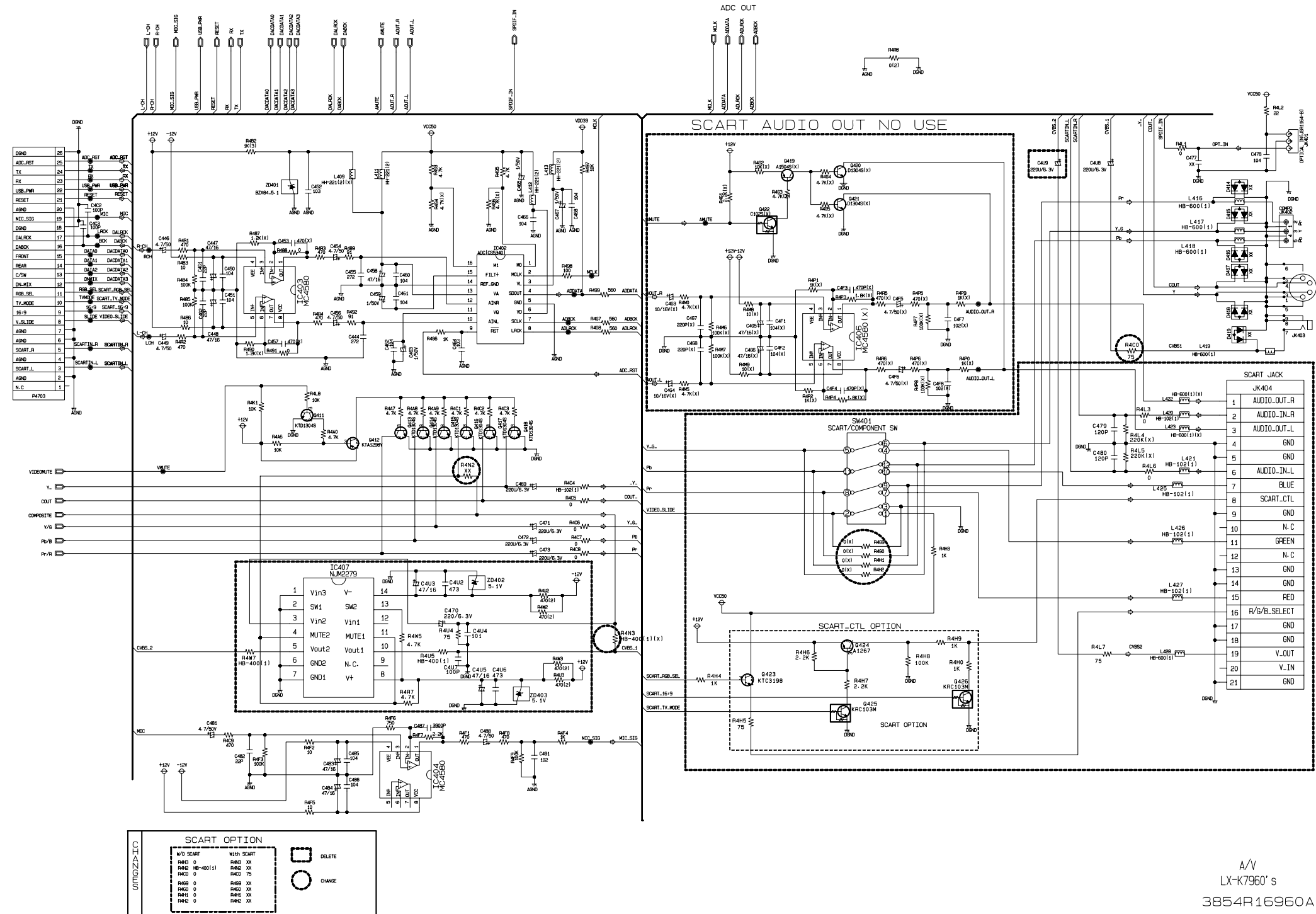


# • RF & SERVO SCHEMATIC DIAGRAM

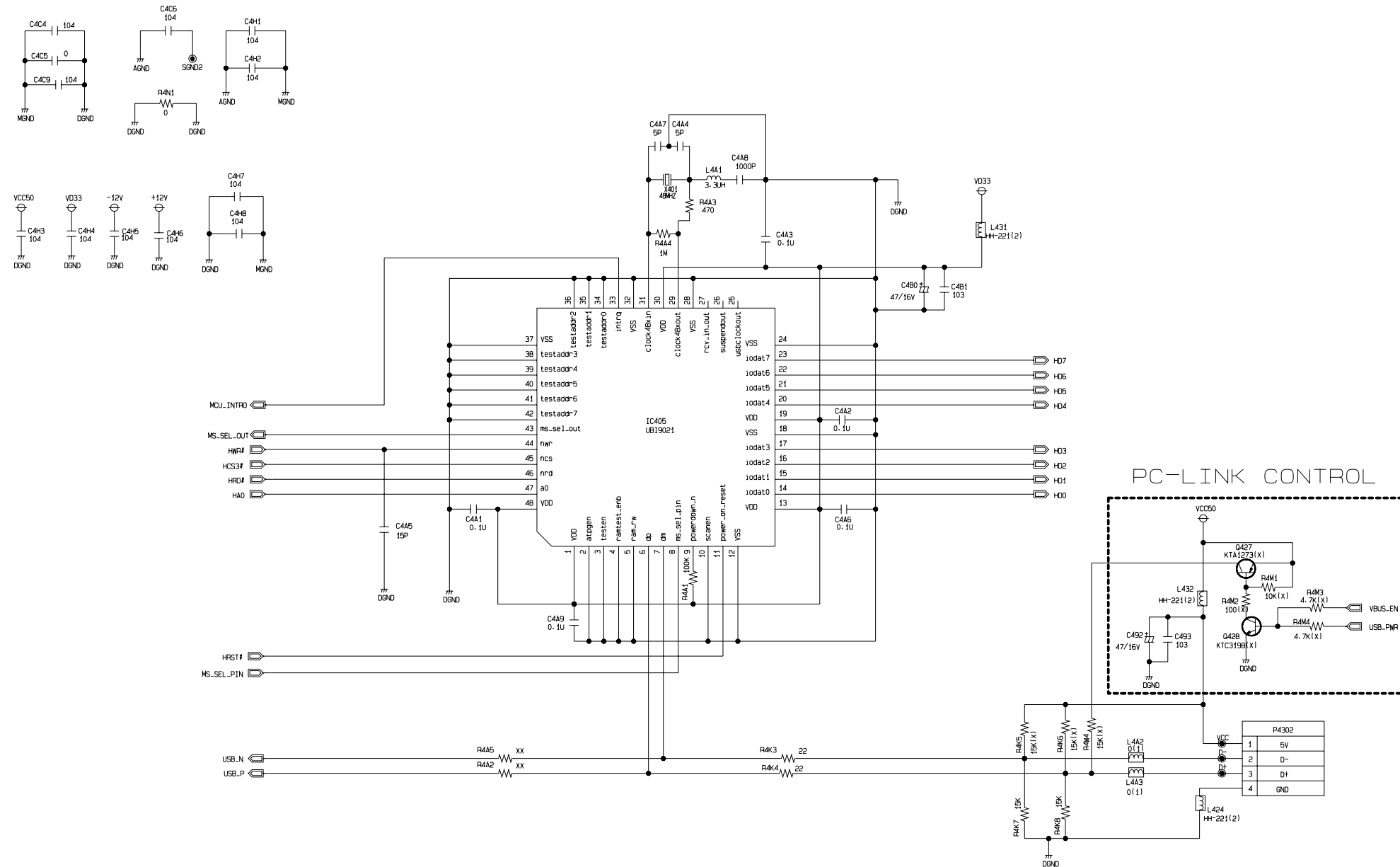


SERVO  
LX-K7960's  
3854R16960A

• AV SCHEMATIC DIAGRAM



# • USB/PC-LINK SCHEMATIC DIAGRAM



USB/PC-LINK  
LX-K7960's  
3854R16960A