

6 Schematic Diagram for models TX-21PM30T (MX-7 Chassis)

IMPORTANT SAFETY NOTICE Components identified by ▲ mark have special characteristics important for safety. When replacing any of these components, use only manufacturer's specified parts.

Notes:

1. Resistor

All resistors are carbon 1.4W resistors unless marked as follows:

Unit of resistance is OHM (Ω) (K=1 000 M=1 000 000)

| | | | |
|---|--------------|---|-------------|
| ○ | Nonflammable | ⊠ | Metal Oxide |
| △ | Solid | ⊙ | Metal Film |
| ⊞ | Wire Wound | ⊗ | Fuse |

2. Capacitor

All capacitors are ceramic 50V capacitors unless marked as follows:

Unit of capacitance is μF , unless otherwise noted.

| | | | |
|---|--------------------------|----------------|-----------------|
| ⊗ | Temperature Compensation | ⌘ | Electrolytic |
| Ⓜ | Polyester | ⌘ ^N | Bipolar |
| Ⓜ | Metalized Polyester | Ⓣ | Dipped Tantalum |
| ⊞ | Polypropylene | Ⓣ | Z-Type |

3. Coil

Unit of inductance is μH , unless otherwise noted.

Unit of resistance is OHM (Ω) (K=1 000 M=1 000 000)

4. Test Point

Ⓞ : Test Point position

5. Earth Symbol

⚡ : Chassis Earth (Cold) ⚡ : Line Earth (Hot)

6. Voltage Measurement

Voltage is measured using a DC voltmeter.

Conditions of the measurement are the following:

Power Source.....AC 220V, 50Hz

Receiving Signal.....Colour Bar signal (RF)

All customer's controls.....Maximum positions

7. Number in red circle indicates waveform number.

(See waveform pattern table)

8. When arrow mark (↗) is found, connection is easily found from the direction of arrow.

9. ➡ : Indicates the major signal flow.

10. This schematic diagram is the latest at the time of printing and subject to change without notice.

Remarks:

1. The Power Circuit contains a circuit area which uses a separate power supply to isolate the earth connection. The circuit is defined by HOT and COLD indications in the schematic diagram. Take the following precautions:

All circuits except the Power Circuit are cold.

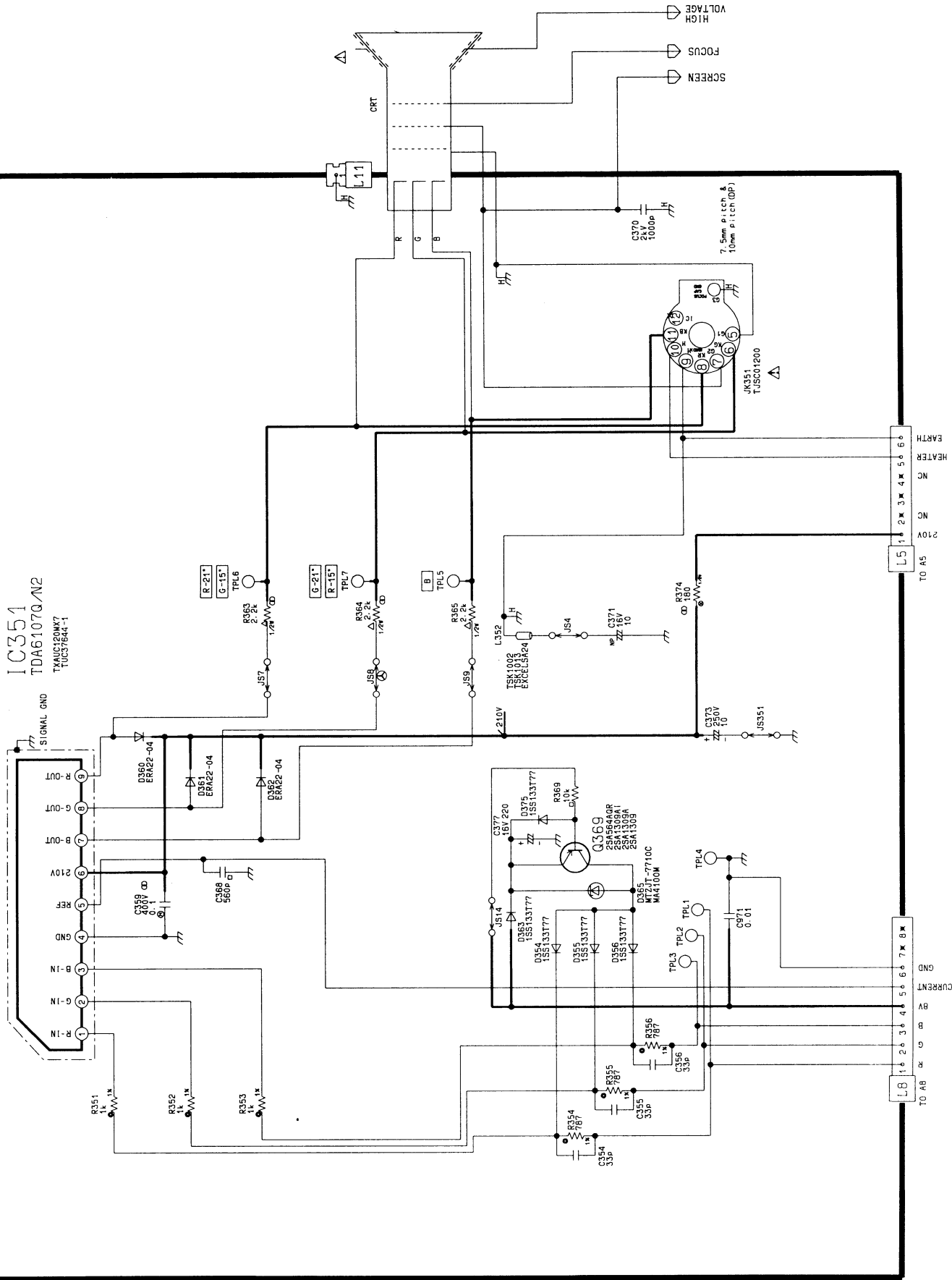
Precautions:

- a Do not touch the hot part or the hot and cold parts at the same time or you may be shocked
- b Do not short-circuit the hot and cold circuits or a fuse may blow and parts may break
- c Do not connect an instrument such as an oscilloscope to the hot and cold circuits simultaneously or a fuse may blow. Connect the earth of instruments to the earth connection of the circuit being measured.
- d Make sure to disconnect the power plug before removing the chassis.

2. The following diodes are interchangeable: MA150 - MA162 (Replacement part).

⚠ L TNP4G137AA
CRT CIRCUIT

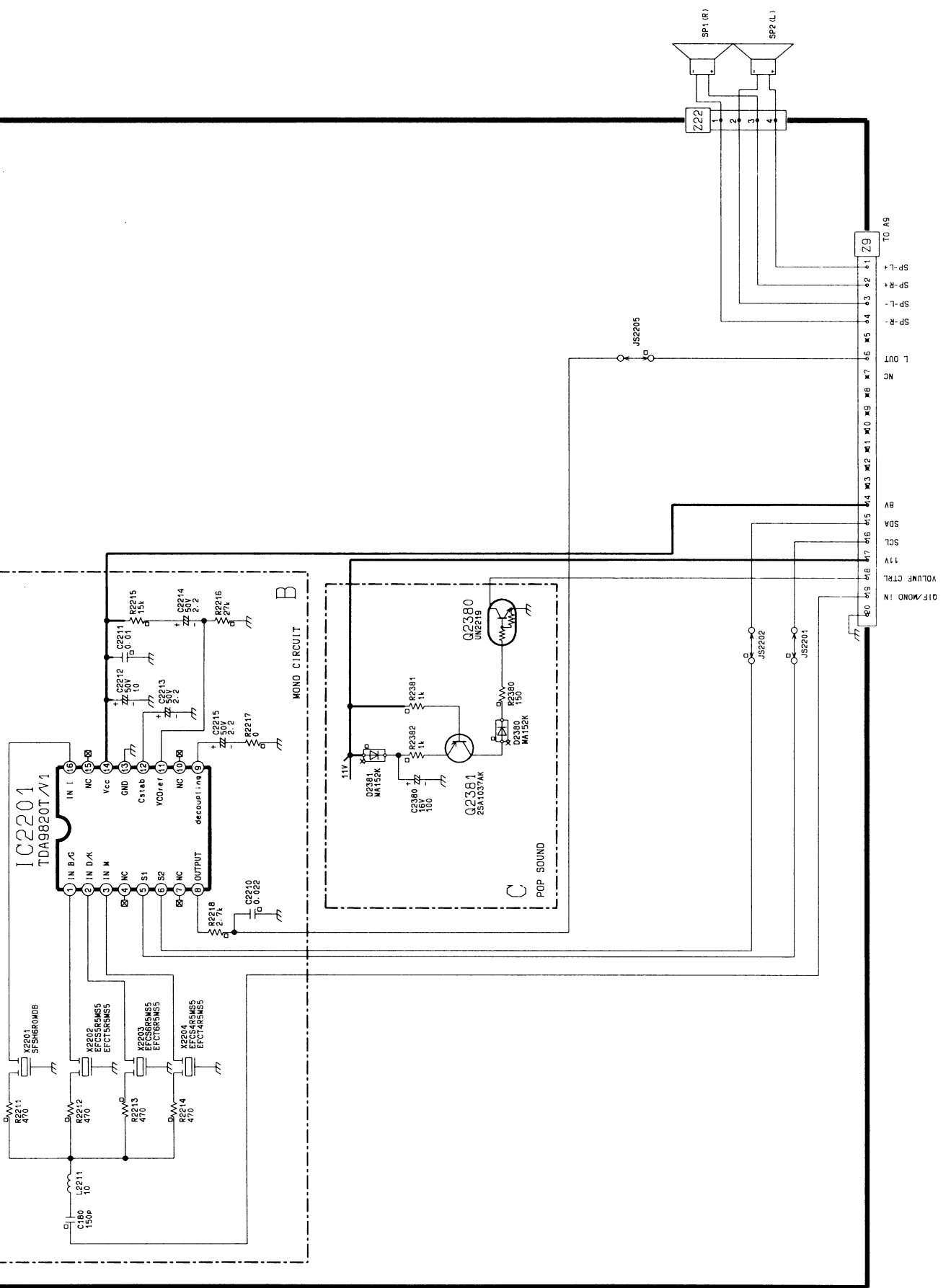
IC351
TDA6107Q/N2
TMAU5120W7
TUC37644-1



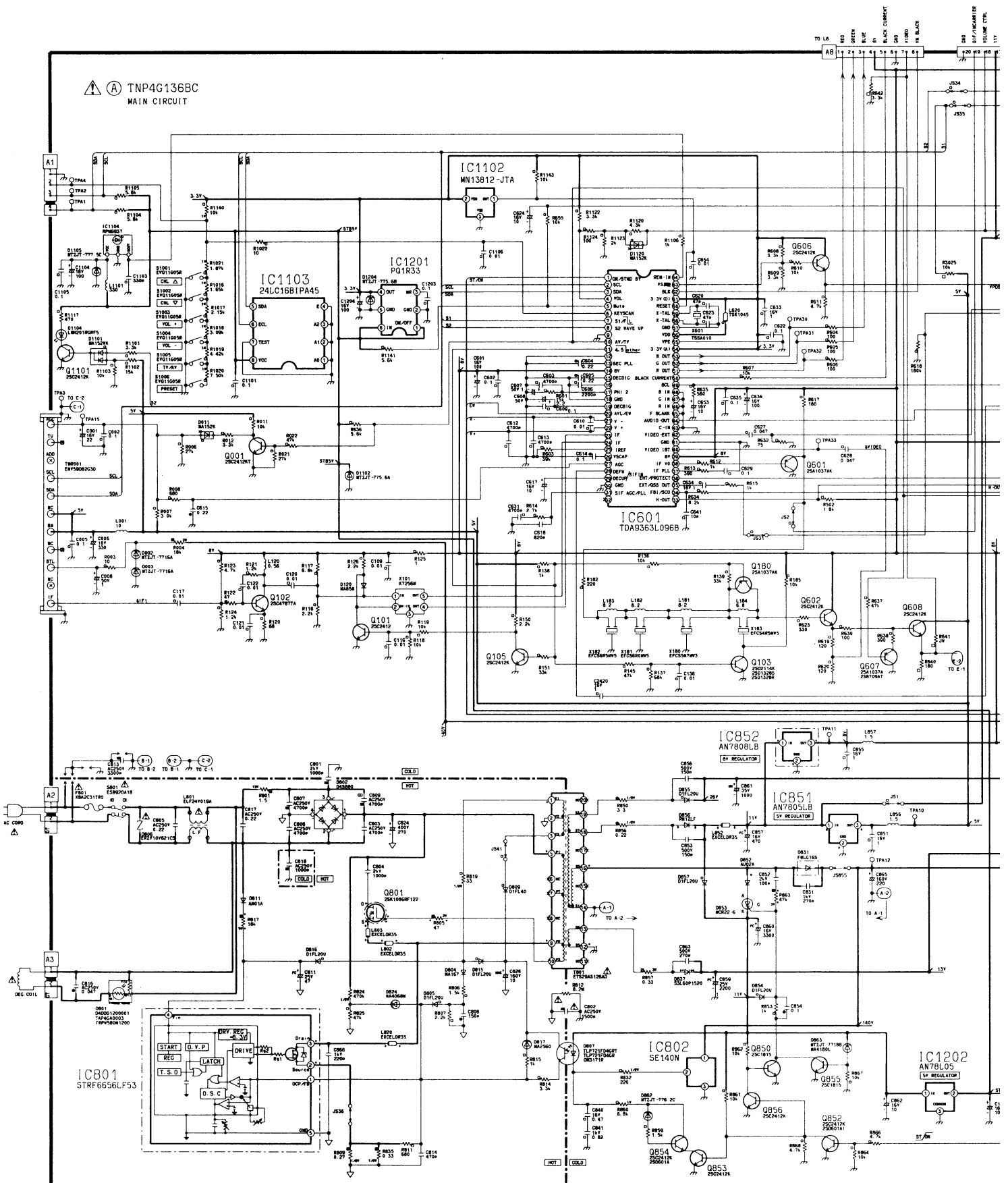
TO A5
L5 1 2 3 4 5 6 6
NC NC
HEATER
EARTH

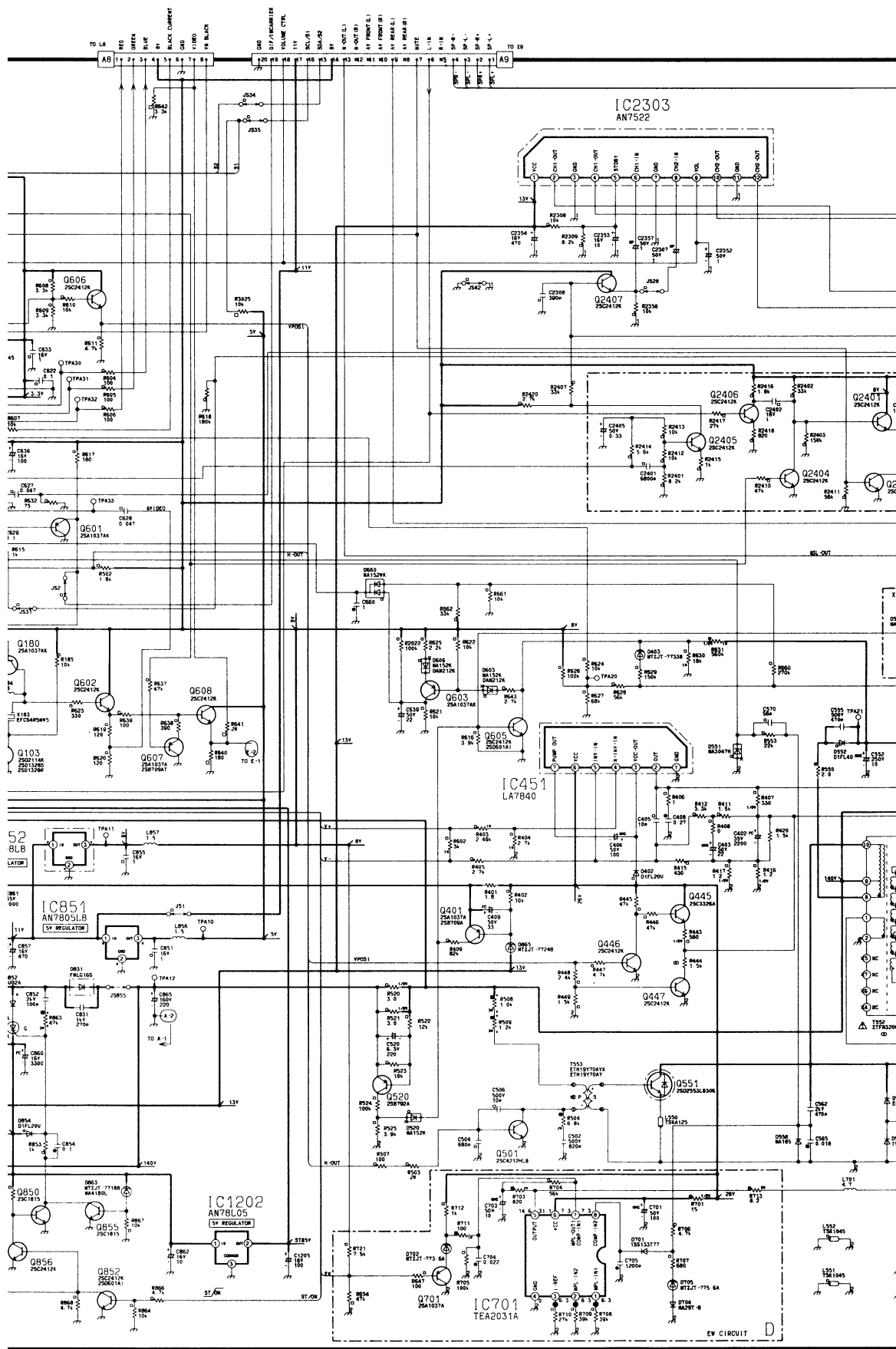
TO A6
L8 1 2 3 4 5 6 7 8
GND
BLACK CURRENT
BV B C

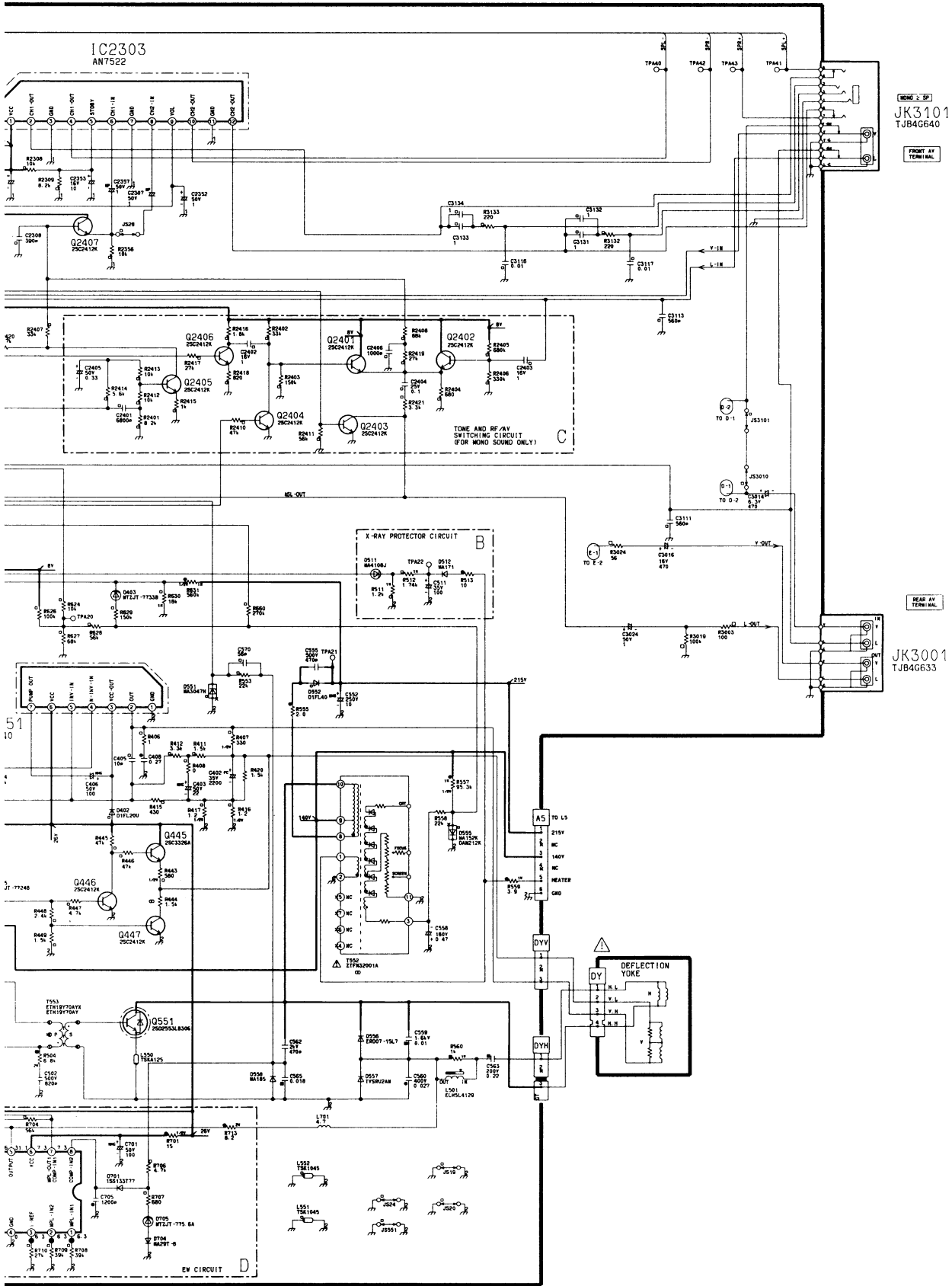
(Z1) TNP4G139AA
Z1 BOARD
(MONO & AV STEREO CIRCUIT)



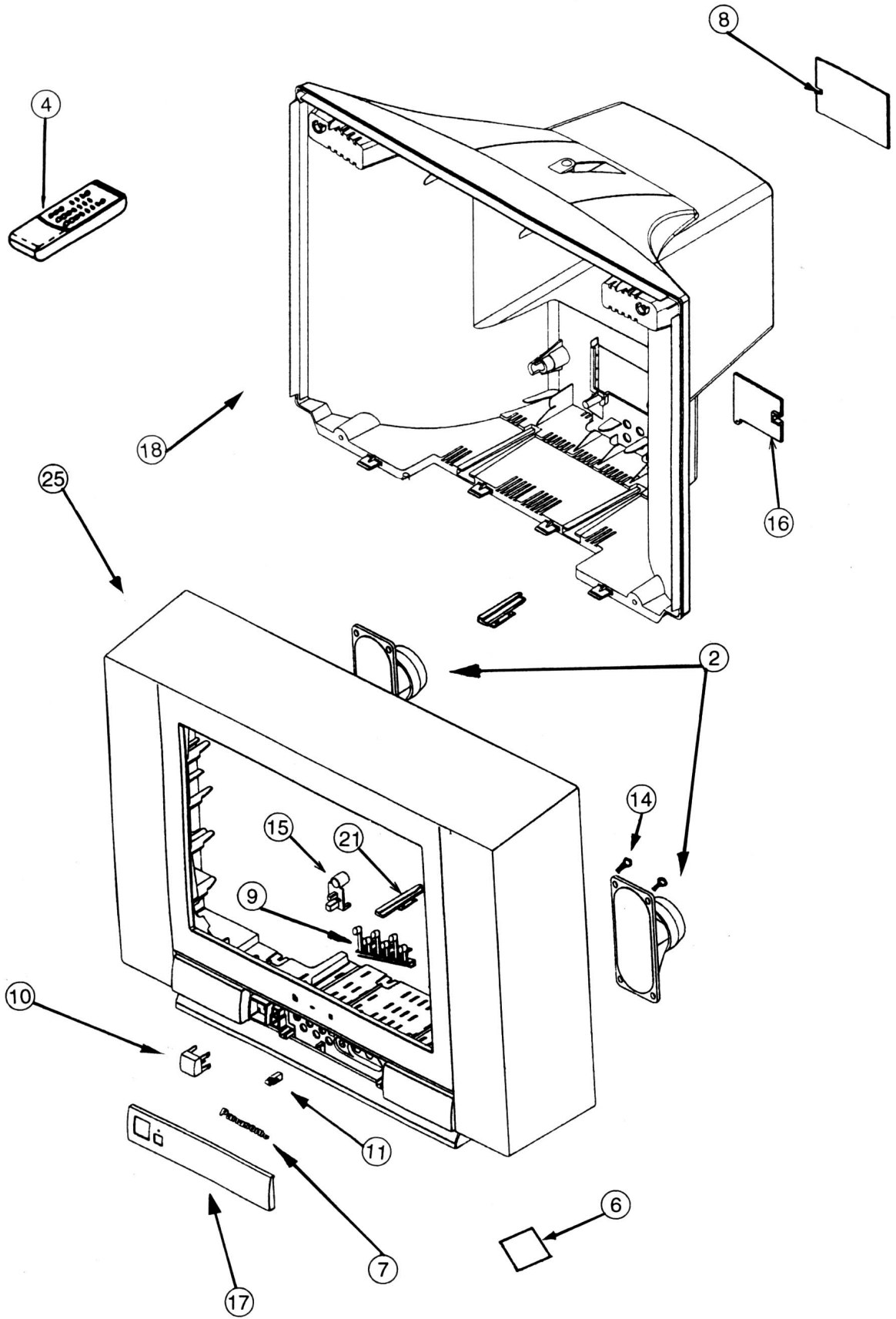
⚠ (A) TNP4G136BC
MAIN CIRCUIT







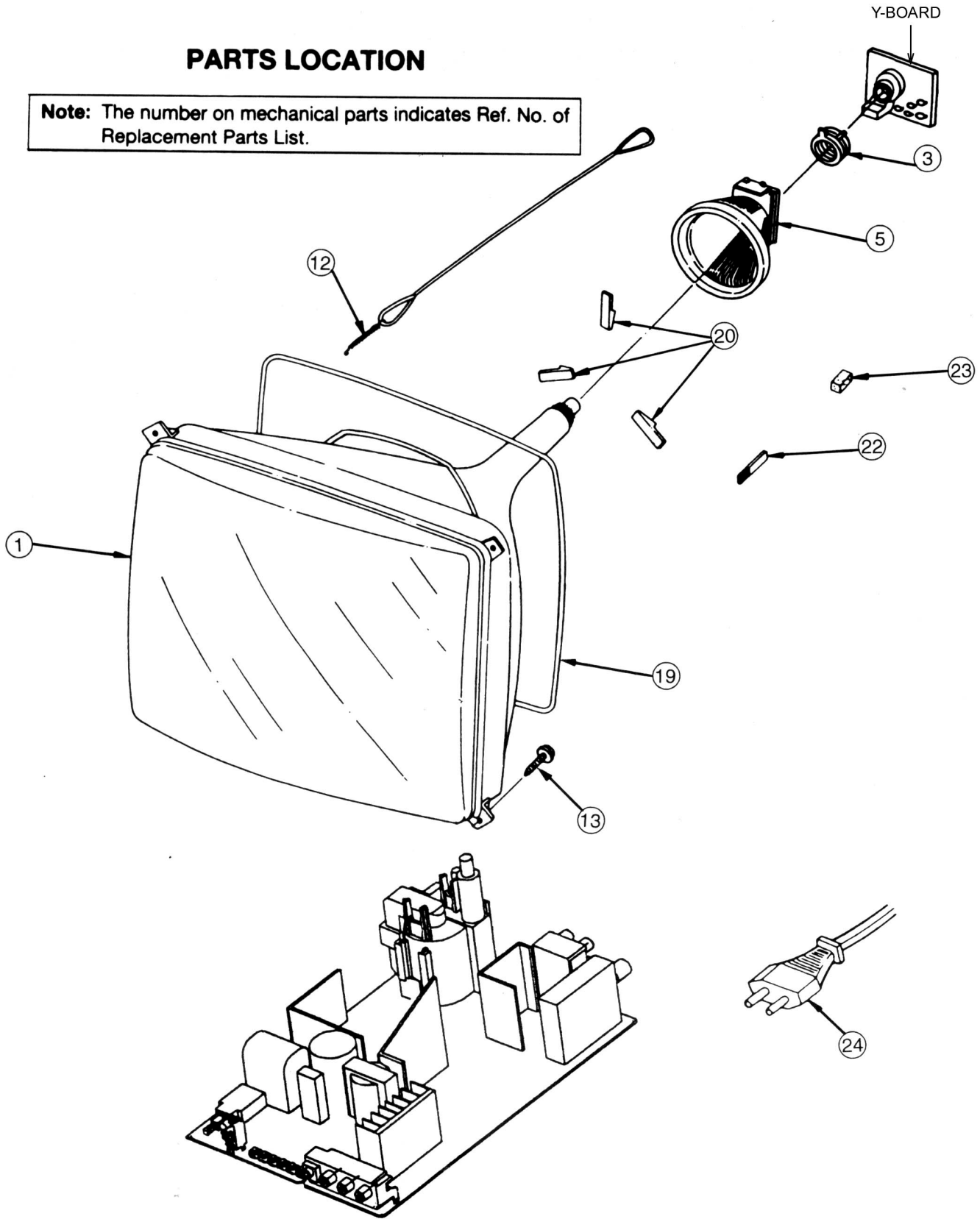
9.3. Part Location (1/2)



9.4. Part Location (2/2)

PARTS LOCATION

Note: The number on mechanical parts indicates Ref. No. of Replacement Parts List.



10 Replacement Parts List

Important Safety Notice

Components identified by ▲ mark have special characteristics important for safety. When replacing any of these components, use manufacturer's specified parts.

Note: Printed circuit board assembly with "NLA" is no longer available after production discontinuation of the complete set.
Abbreviation of part name and description

1. Resistor

Example:

ERD25TJ104 C 100K Ω , J, 1/4W

Type Allowance

| Type | Allowance |
|------------------------------|-------------------------------|
| C: Carbon | F: $\pm 1\%$ |
| F: Fuse | G: $\pm 2\%$ |
| M: Metal Oxide Metal Film | J: $\pm 5\%$ K: $\pm 10\%$ |
| S: Solid | M: $\pm 20\%$ |
| W: Wire Wound | |

2. Capacitor

Example:

ECKF1H103ZF C 0.01UF, Z, 50V

Type Allowance

| Type | Allowance |
|-------------------------------|---|
| C: Carbon | C: $\pm 0.25\text{pF}$ |
| E: Electrolytic | D: $\pm 0.5\text{pF}$ |
| P: Polyester Polypropylene | F: $\pm 1\text{pF}$ G: $\pm 3\%$ |
| T: Tantalum | J: $\pm 5\%$ K: $\pm 10\%$ L: $\pm 15\%$ M: $\pm 20\%$ P: $+100\% -0\%$ Z: $+80\% -20\%$ |

Replacement Parts List

Important Safety Notice

Components identified by Δ mark have special characteristics important for safety. When replacing any of these components, use manufacturer's specified parts.

Note : Printed circuit board assembly with "NLA" is no longer available after production discontinuation of the complete set.

Abbreviation of part name and description

1. Resistor

Example :

ERD25TJ104 **C** 100KOHM, **J**, 1/4W
 Type Allowance

2. Capacitor

Example :

ECKF1H103ZF **C** 0.01UF, **Z**, 50V
 Type Allowance

| Type | Allowance |
|-------------------------------|---------------------------|
| C : Carbon | F : +/- 1% |
| F : Fuse | G : +/- 2% |
| M : Metal Oxide Metal Film | J : +/- 5% K : +/- 10% |
| S : Solid | M : +/- 20% |
| W : Wire Wound | |

| Type | Allowance |
|--------------------------------|--|
| C : Carbon | C : +/- 0.25pF |
| E : Electrolytic | D : +/- 0.5pF |
| P : Polyester Polypropylene | F : +/- 1pF G : +/- 3% |
| T : Tantalum | J : +/- 5% K: +/- 10% L : +/- 15% M : +/- 20% P : +100%, -0% Z : +80%, -20% |

| MECHANICAL PARTS | | | |
|------------------|--------------|-------------------|---|
| 1 | A51LSK955X-A | PICTURE TUBE | △ |
| 2 | EASG12D123N2 | SPEAKER | |
| 3 | ETC35C65NA | CONVERGENCE YOKE | |
| 4 | EUR646925 | REMOTE CONTROL | |
| 5 | KDY3NWB63F | DEFLECTION YOKE | △ |
| 6 | TBL4G3404 | SET LEG | |
| 7 | TBMA060 | PANASONIC BADGE | |
| 8 | TBM4G0660 | MODEL NAME PLATE | △ |
| 9 | TBX4G86500A | 6 KEY BUTTON | |
| 10 | TBX4G87000 | POWER BUTTON | |
| 11 | TEK4G902 | DOOR CATCHER | |
| 12 | TES4G206 | COIL SPRING | |
| 13 | THT4G1005R | CRT SCREW | |
| 14 | THT4G1010R | SCREW (SPEAKER) | |
| 15 | TKK4G8538 | LED PANEL | |
| 16 | TKP4G11744 | AC CORD BRACKET | |
| 17 | TKP4G12045-1 | DOOR | |
| 18 | TKU4G8800-1 | BACK COVER | |
| 19 | TLK4G9037S | DEGAUSSING COIL | △ |
| 20 | TMM4G503 | RUBBER WEDGE | |
| 21 | TMZ4G9808 | CHASSIS RAIL (L) | |
| NLA | TNP4G136BC | A BOARD | △ |
| NLA | TNP4G137AA | L BOARD | △ |
| NLA | TNP4G139AA | Z1 BOARD | △ |
| | TPC4G45507 | CARTON | |
| | TPD4G1066 | CUSHION (TOP) | |
| | TPE4G14003 | LAMI BAG | |
| | TPE4G14025 | SET COVER | |
| | TQB4G1879 | FAN BAG | |
| 22 | TSM10032-3 | MAGNET | |
| 23 | TSN63115-4 | PURITY MAGNET | |
| 24 | TSX4G111H | AC POWER CORD | △ |
| 25 | TXFKY01RP4V | CABINET ASSY | |
| | TXFPD02QL2S | CUSHION (BOTTOM) | |
| RESISTORS | | | |
| R003 | ERJ6GEYJ100 | M 10OHM,J,1/10W | |
| R004 | ERG2SJ183E | M 18KOHM,J, 2W | |
| R006 | ERJ6GEYJ273 | M 27KOHM,J,1/10W | |
| R007 | ERJ6GEYJ302 | M 3KOHM,J,1/10W | |
| R008 | ERJ6GEYJ681 | M 680OHM,J,1/10W | |
| R011 | ERJ6GEYJ103 | M 10KOHM,J,1/10W | |
| R012 | ERJ6GEYJ332 | M 3.3KOHM,J,1/10W | |
| R021 | ERJ6GEYJ273 | M 27KOHM,J,1/10W | |
| R022 | ERJ6GEYJ473 | M 47KOHM,J,1/10W | |
| R116 | ERJ6GEYJ222 | M 2.2KOHM,J,1/10W | |
| R117 | ERJ6GEYJ682 | M 6.8KOHM,J,1/10W | |
| R118 | ERJ6GEYJ103 | M 10KOHM,J,1/10W | |
| R119 | ERJ6GEYJ103 | M 10KOHM,J,1/10W | |
| R120 | ERJ6GEYJ680 | M 68OHM,J,1/10W | |
| R121 | ERJ6GEYJ122 | M 1.2KOHM,J,1/10W | |
| R122 | ERJ6GEYJ470 | M 47OHM,J,1/10W | |
| R123 | ERJ6GEYJ472 | M 4.7KOHM,J,1/10W | |
| R124 | ERJ6GEYJ122 | M 1.2KOHM,J,1/10W | |
| R125 | ERJ6GEYJ1R0 | M 1OHM,J,1/10W | |
| R126 | ERJ6GEYJ222 | M 2.2KOHM,J,1/10W | |
| R136 | ERJ6GEYJ103 | M 10KOHM,J,1/10W | |
| R137 | ERJ6GEYJ683 | M 68KOHM,J,1/10W | |
| R138 | ERJ6GEYJ102 | M 1KOHM,J,1/10W | |
| R139 | ERJ6GEYJ333 | M 33KOHM,J,1/10W | |
| R145 | ERJ6GEYJ473 | M 47KOHM,J,1/10W | |
| R150 | ERJ6GEYJ222 | M 2.2KOHM,J,1/10W | |
| R151 | ERJ6GEYJ333 | M 33KOHM,J,1/10W | |
| R182 | ERJ6GEYJ221 | M 220OHM,J,1/10W | |
| R185 | ERJ6GEYJ103 | M 10KOHM,J,1/10W | |
| R351 | ER0S2CKF1001 | M 1KOHM,F, 1/4W | |
| R352 | ER0S2CKF1001 | M 1KOHM,F, 1/4W | |
| R353 | ER0S2CKF1001 | M 1KOHM,F, 1/4W | |
| R354 | ER0S2CKF7870 | M 787OHM,F, 1/4W | |
| R355 | ER0S2CKF7870 | M 787OHM,F, 1/4W | |
| R356 | ER0S2CKF7870 | M 787OHM,F, 1/4W | |
| R363 | ERC12GK222 | S 2.2KOHM,K, 1/2W | |
| R364 | ERC12GK222 | S 2.2KOHM,K, 1/2W | |
| R365 | ERC12GK222 | S 2.2KOHM,K, 1/2W | |
| R369 | ERDS2TJ103 | C 10KOHM,J, 1/4W | |
| R374 | ERQ12AJ181P | F 180OHM,J, 1/2W | |
| R401 | ERDS2TJ1R8 | C 1.8OHM,J, 1/4W | |
| R402 | ERJ6GEYJ103 | M 10KOHM,J,1/10W | |
| R403 | ERJ6ENF2491 | M2.49KOHM, 1/10W | |
| R404 | ERJ6ENF2701 | M 2.7KOHM, 1/10W | |
| R405 | ERJ6GEYJ272 | M 2.7KOHM,J,1/10W | |
| R406 | ERJ6GEYJ1R0 | M 1OHM,J,1/10W | |
| R407 | ERJ12YJ331U | M 330OHM,J, 1/2W | |
| R408 | ERJ6GEY0R00 | M 0OHM,J,1/10W | |
| R409 | ERJ6GEYJ823 | M 82KOHM,J,1/10W | |
| R411 | ERJ6GEYJ152 | M 1.5KOHM,J,1/10W | |
| R412 | ERJ6GEYJ332 | M 3.3KOHM,J,1/10W | |
| R415 | ERJ6GEYJ431 | M 430OHM,J,1/10W | |
| R416 | ERJ12YJ1R2U | M 1.2OHM,J, 1/2W | |
| R417 | ERJ12YJ1R2U | M 1.2OHM,J, 1/2W | |
| R420 | ERDS2TJ152 | C 1.5KOHM,J, 1/4W | |
| R443 | ERJ12YJ561U | M 560OHM,J, 1/2W | |
| R444 | ERDS2TJ152 | C 1.5KOHM,J, 1/4W | |
| R445 | ERJ6GEYJ473 | M 47KOHM,J,1/10W | |
| R446 | ERJ6GEYJ473 | M 47KOHM,J,1/10W | |
| R447 | ERJ6GEYJ472 | M 4.7KOHM,J,1/10W | |
| R448 | ERJ6GEYJ242 | M 2.4KOHM,J,1/10W | |
| R449 | ERJ6GEYJ152 | M 1.5KOHM,J,1/10W | |
| R502 | ERJ6GEYJ182 | M 1.8KOHM,J,1/10W | |
| R503 | ERJ6GEY0R00 | M 0OHM,J,1/10W | |
| R504 | ERG2SJ682E | M 6.8KOHM,J, 2W | |
| R507 | ERJ6GEYJ101 | M 100OHM,J,1/10W | |
| R508 | ERG3FJ102 | M 1KOHM,J, 3W | |
| R509 | ERG3FJ122 | M 1.2KOHM,J, 3W | |
| R511 | ERJ6ENF1201 | M 1.2KOHM, 1/10W | |
| R512 | ERJ6ENF1741 | M1.74KOHM, 1/10W | |
| R513 | ERQ14AJ100P | F 100OHM,J, 1/4W | |
| R520 | ERX12SJ3R0E | M 3OHM,J, 1/2W | |
| R521 | ERX12SJ3R0E | M 3OHM,J, 1/2W | |
| R522 | ERJ6GEYJ123 | M 12KOHM,J,1/10W | |
| R523 | ERJ6GEYJ103 | M 10KOHM,J,1/10W | |
| R524 | ERJ6GEYJ104 | M 100KOHM,J,1/10W | |
| R525 | ERJ6GEYJ392 | M 3.9KOHM,J,1/10W | |
| R553 | ERJ6GEYJ223 | M 22KOHM,J,1/10W | |
| R555 | ERQ14AJ2R0E | F 2.0OHM,J, 1/4W | |
| R557 | ER050CKF9532 | M95.3KOHM,F, 1/2W | |
| R558 | ERDS2TJ223 | C 22KOHM,J, 1/4W | |
| R559 | ERQ1CJP3R3S | F 3.3OHM,J, 1W | |
| R560 | ERG1SJ102E | M 1KOHM,J, 1W | |
| R601 | ERJ6GEYJ153 | M 15KOHM,J,1/10W | |
| R602 | ERJ6ENF3001 | M 3KOHM, 1/10W | |
| R603 | ERJ6GEYJ393 | M 39KOHM,J,1/10W | |
| R604 | ERJ6GEYJ101 | M 100OHM,J,1/10W | |

| | | | | | | | |
|------|--------------|-------------------|--|-------|-------------|-------------------|--|
| R605 | ERJ6GEYJ101 | M 100OHM,J,1/10W | | R811 | ERJ6GEYJ681 | M 680OHM,J,1/10W | |
| R606 | ERJ6GEYJ101 | M 100OHM,J,1/10W | | R812 | ERD75TAJ825 | C 8.2MOHM,J, 3/4W | |
| R607 | ERJ6GEYJ103 | M 10KOHM,J,1/10W | | R814 | ERJ6GEYJ332 | M 3.3KOHM,J,1/10W | |
| R608 | ERJ6GEYJ332 | M 3.3KOHM,J,1/10W | | R815 | ERJ6GEYJ102 | M 1KOHM,J,1/10W | |
| R609 | ERJ6GEYJ332 | M 3.3KOHM,J,1/10W | | R817 | ERG5FJ183H | M 18KOHM,J, 5W | |
| R610 | ERJ6GEYJ103 | M 10KOHM,J,1/10W | | R819 | ERJ12YJ330U | M 33OHM,J, 1/2W | |
| R611 | ERJ6GEYJ472 | M 4.7KOHM,J,1/10W | | R824 | ERDS1TJ474 | C 4.7KOHM,J, 1/2W | |
| R612 | ERJ6GEYJ102 | M 1KOHM,J,1/10W | | R825 | ERJ6GEYJ473 | M 47KOHM,J,1/10W | |
| R613 | ERJ6GEYJ391 | M 390OHM,J,1/10W | | R832 | ERJ12YJ221U | M 220OHM,J, 1/2W | |
| R614 | ERJ6GEYJ272 | M 2.7KOHM,J,1/10W | | R835 | ERX12SJR33E | M 0.33OHM,J, 1/2W | |
| R615 | ERJ6GEYJ102 | M 1KOHM,J,1/10W | | R850 | ERQ12AJ3R3E | F 3.3OHM,J, 1/2W | |
| R616 | ERJ6GEYJ392 | M 3.9KOHM,J,1/10W | | R853 | ERJ14YJ102U | M 1KOHM,J, 1/4W | |
| R617 | ERJ6GEYJ181 | M 180OHM,J,1/10W | | R856 | ERQ12HKR22P | F 0.22OHM,K, 1/2W | |
| R618 | ERJ6GEYJ184 | M 180KOHM,J,1/10W | | R857 | ERF3EXKR33V | W 0.33OHM,K, 3W | |
| R619 | ERJ6GEYJ121 | M 120OHM,J,1/10W | | R859 | ERJ6GEYJ152 | M 1.5KOHM,J,1/10W | |
| R620 | ERJ6GEYJ121 | M 120OHM,J,1/10W | | R860 | ERJ6ENF6801 | M 6.8KOHM, 1/10W | |
| R621 | ERJ6GEYJ103 | M 10KOHM,J,1/10W | | R861 | ERJ6GEYJ103 | M 10KOHM,J,1/10W | |
| R622 | ERJ6GEYJ103 | M 10KOHM,J,1/10W | | R862 | ERJ6GEYJ103 | M 10KOHM,J,1/10W | |
| R623 | ERJ6GEYJ331 | M 330OHM,J,1/10W | | R863 | ERG3FJ473H | M 47KOHM,J, 3W | |
| R624 | ERJ6GEYJ103 | M 10KOHM,J,1/10W | | R864 | ERJ6GEYJ103 | M 10KOHM,J,1/10W | |
| R625 | ERJ6GEYJ222 | M 2.2KOHM,J,1/10W | | R866 | ERJ6GEYJ472 | M 4.7KOHM,J,1/10W | |
| R626 | ERJ6GEYJ104 | M 100KOHM,J,1/10W | | R867 | ERJ6GEYJ103 | M 10KOHM,J,1/10W | |
| R627 | ERJ6GEYJ683 | M 68KOHM,J,1/10W | | R868 | ERJ6GEYJ472 | M 4.7KOHM,J,1/10W | |
| R628 | ERJ6GEYJ563 | M 56KOHM,J,1/10W | | R1016 | ERJ6ENF1651 | M1.65KOHM, 1/10W | |
| R629 | ERJ6GEYJ154 | M 150KOHM,J,1/10W | | R1017 | ERJ6ENF2151 | M2.15KOHM, 1/10W | |
| R630 | ERJ6ENF1802 | M 18KOHM, 1/10W | | R1018 | ERJ6ENF3091 | M3.09KOHM, 1/10W | |
| R631 | ER050CKF5603 | M 560KOHM,F, 1/2W | | R1019 | ERJ6ENF4421 | M4.42KOHM, 1/10W | |
| R632 | ERJ6GEYJ750 | M 75OHM, 1/10W | | R1020 | ERJ6ENF7501 | M 7.5KOHM, 1/10W | |
| R634 | ERJ6GEYJ822 | M 8.2KOHM,J,1/10W | | R1021 | ERJ6ENF1871 | M1.87KOHM, 1/10W | |
| R635 | ERJ6GEYJ561 | M 560OHM,J,1/10W | | R1022 | ERJ6GEYJ100 | M 10OHM,J,1/10W | |
| R636 | ERJ6GEYJ562 | M 5.6KOHM,J,1/10W | | R1101 | ERJ6GEYJ332 | M 3.3KOHM,J,1/10W | |
| R637 | ERJ6GEYJ473 | M 47KOHM,J,1/10W | | R1102 | ERJ6GEYJ153 | M 15KOHM,J,1/10W | |
| R638 | ERJ6GEYJ391 | M 390OHM,J,1/10W | | R1103 | ERJ6GEYJ103 | M 10KOHM,J,1/10W | |
| R639 | ERJ6GEYJ101 | M 100OHM,J,1/10W | | R1104 | ERJ6GEYJ562 | M 5.6KOHM,J,1/10W | |
| R640 | ERJ6GEYJ181 | M 180OHM,J,1/10W | | R1105 | ERJ6GEYJ562 | M 5.6KOHM,J,1/10W | |
| R641 | ERJ6GEY0R00 | M 0OHM,J,1/10W | | R1106 | ERJ6GEYJ102 | M 1KOHM,J,1/10W | |
| R642 | ERJ6GEYJ332 | M 3.3KOHM,J,1/10W | | R1117 | ERJ6GEYJ471 | M 470OHM,J,1/10W | |
| R643 | ERJ6GEYJ272 | M 2.7KOHM,J,1/10W | | R1120 | ERJ6GEYJ432 | M 4.3KOHM,J,1/10W | |
| R647 | ERJ6GEYJ101 | M 100OHM,J,1/10W | | R1122 | ERJ6GEYJ332 | M 3.3KOHM,J,1/10W | |
| R654 | ERJ6GEYJ473 | M 47KOHM,J,1/10W | | R1123 | ERJ6GEYJ202 | M 2KOHM,J,1/10W | |
| R655 | ERJ6GEYJ103 | M 10KOHM,J,1/10W | | R1124 | ERJ6GEYJ101 | M 100OHM,J,1/10W | |
| R660 | ERJ6GEYJ274 | M 270KOHM,J,1/10W | | R1140 | ERJ6ENF1002 | M 10KOHM, 1/10W | |
| R661 | ERJ6GEYJ103 | M 10KOHM,J,1/10W | | R1141 | ERJ6GEYJ562 | M 5.6KOHM,J,1/10W | |
| R662 | ERJ6GEYJ333 | M 33KOHM,J,1/10W | | R1143 | ERJ6GEYJ103 | M 10KOHM,J,1/10W | |
| R701 | ERQ12AJ150E | F 15OHM,J, 1/2W | | R2022 | ERJ6GEYJ104 | M 100KOHM,J,1/10W | |
| R703 | ERG2SJ821E | M 820OHM,J, 2W | | R2211 | ERJ6GEYJ471 | M 470OHM,J,1/10W | |
| R704 | ERJ6GEYJ563 | M 56KOHM,J,1/10W | | R2212 | ERJ6GEYJ471 | M 470OHM,J,1/10W | |
| R705 | ERJ6GEYJ104 | M 100KOHM,J,1/10W | | R2213 | ERJ6GEYJ471 | M 470OHM,J,1/10W | |
| R706 | ERJ6GEYJ472 | M 4.7KOHM,J,1/10W | | R2214 | ERJ6GEYJ471 | M 470OHM,J,1/10W | |
| R707 | ERJ6GEYJ681 | M 680OHM,J,1/10W | | R2215 | ERJ6GEYJ153 | M 15KOHM,J,1/10W | |
| R708 | ERJ6GEYJ393 | M 39KOHM,J,1/10W | | R2216 | ERJ6GEYJ273 | M 27KOHM,J,1/10W | |
| R709 | ERJ6GEYJ393 | M 39KOHM,J,1/10W | | R2217 | ERJ6GEY0R00 | M 0OHM,J,1/10W | |
| R710 | ERJ6GEYJ273 | M 27KOHM,J,1/10W | | R2218 | ERJ6GEYJ272 | M 2.7KOHM,J,1/10W | |
| R711 | ERG1SJ101E | M 100OHM,J, 1W | | R2308 | ERJ6GEYJ103 | M 10KOHM,J,1/10W | |
| R712 | ERJ6GEYJ102 | M 1KOHM,J,1/10W | | R2309 | ERJ6GEYJ822 | M 8.2KOHM,J,1/10W | |
| R713 | ERQ2CJP8R2S | F 8.2OHM,J, 2W | | R2356 | ERJ6GEYJ103 | M 10KOHM,J,1/10W | |
| R721 | ERJ6GEYJ752 | M 7.5KOHM,J,1/10W | | R2380 | ERJ6GEYJ151 | M 150OHM,J,1/10W | |
| R801 | ERF15ZK1R5 | M 1.5OHM, 15W | | R2381 | ERJ6GEYJ102 | M 1KOHM,J,1/10W | |
| R805 | ERG2SJ470E | M 47OHM,J, 2W | | R2382 | ERJ6GEYJ102 | M 1KOHM,J,1/10W | |
| R806 | ERJ6GEYJ152 | M 1.5KOHM,J,1/10W | | R2401 | ERJ6GEYJ822 | M 8.2KOHM,J,1/10W | |
| R807 | ERJ6GEYJ222 | M 2.2KOHM,J,1/10W | | R2402 | ERJ6GEYJ333 | M 33KOHM,J,1/10W | |
| R809 | ERX12SJR27E | M 0.27OHM,J, 1/2W | | R2403 | ERJ6GEYJ154 | M 150KOHM,J,1/10W | |

| | | | | | | | |
|-------|-------------------|-------------------|--|------|---------------|-------------------|--|
| R2404 | ERJ6GEYJ681 | M 680OHM,J,1/10W | | C560 | ECQM4273JZ | P 0.027UF, 400V | |
| R2405 | ERJ6GEYJ684 | M 680KOHM,J,1/10W | | C561 | ECKW3D331JBP | C 330PF, J, 2KV | |
| R2406 | ERJ6GEYJ334 | M 330KOHM,J,1/10W | | C562 | ECKW3D471JBP | C 470PF, J, 2KV | |
| R2407 | ERJ6GEYJ333 | M 33KOHM,J,1/10W | | C563 | ECWF2224JSR | P 0.22UF, J,250V | |
| R2408 | ERJ6GEYJ683 | M 68KOHM,J,1/10W | | C565 | ECQP1H183JZ | P 0.018UF, J, 50V | |
| R2410 | ERJ6GEYJ473 | M 47KOHM,J,1/10W | | C570 | ECUX1H820JCX | C 82PF, J, 50V | |
| R2411 | ERJ6GEYJ563 | M 56KOHM,J,1/10W | | C601 | ECEA1CKA101 | E 100UF, 16V | |
| R2412 | ERJ6GEYJ103 | M 10KOHM,J,1/10W | | C602 | ECUX1H104K BX | C 0.1UF, K, 50V | |
| R2413 | ERJ6GEYJ103 | M 10KOHM,J,1/10W | | C603 | ECJ2VB1H472K | C 4700PF, K, 50V | |
| R2414 | ERJ6GEYJ103 | M 10KOHM,J,1/10W | | C604 | ECQV1H224JL | P 0.22UF, J, 50V | |
| R2415 | ERJ6GEYJ102 | M 1KOHM,J,1/10W | | C605 | ECQV1H224JL | P 0.22UF, J, 50V | |
| R2416 | ERJ6GEYJ182 | M 1.8KOHM,J,1/10W | | C606 | ECJ2VC1H222J | C 2200PF, J, 50V | |
| R2417 | ERJ6GEYJ273 | M 27KOHM,J,1/10W | | C607 | ECEA1HKA010 | E 1UF, 50V | |
| R2418 | ERJ6GEYJ821 | M 820OHM,J,1/10W | | C608 | ECEA1HKA2R2 | E 2.2UF, 50V | |
| R2419 | ERJ6GEYJ273 | M 27KOHM,J,1/10W | | C609 | ECUX1H104K BX | C 0.1UF, K, 50V | |
| R2420 | ERJ6GEYJ272 | M 2.7KOHM,J,1/10W | | C610 | ECJ2VB1H103J | C 0.01UF, 50V | |
| R2421 | ERJ6GEYJ332 | M 3.3KOHM,J,1/10W | | C612 | ECJ2VB1H472K | C 4700PF, K, 50V | |
| R3003 | ERJ6GEYJ101 | M 100OHM,J,1/10W | | C613 | ECJ2VB1H472K | C 4700PF, K, 50V | |
| R3014 | ERD25V0R00T | C 0OHM, 1/4W | | C614 | ECQV1H104JL | P 0.1UF, J, 50V | |
| R3019 | ERJ6GEYJ104 | M 100KOHM,J,1/10W | | C615 | ECQV1H224JL | P 0.22UF, J, 50V | |
| R3024 | ERJ6GEYJ560 | M 56OHM,J,1/10W | | C617 | ECEA1CKA100 | E 10UF, 16V | |
| R3025 | ERJ6GEYJ103 | M 10KOHM,J,1/10W | | C618 | ECKR1H821KB5 | C 820PF, K, 50V | |
| R3132 | ERJ6GEYJ221 | M 220OHM,J,1/10W | | C620 | ECUX1H470JCX | C 47PF, J, 50V | |
| R3133 | ERJ6GEYJ221 | M 220OHM,J,1/10W | | C622 | ECJ2VF1H104Z | C 0.1UF, Z, 50V | |
| | CAPACITORS | | | C623 | ECUX1H470JCX | C 47PF, J, 50V | |
| C001 | ECEA1CKA220 | E 22UF, 16V | | C624 | ECEA1CKA100 | E 10UF, 16V | |
| C002 | ECJ2VF1H104Z | C 0.1UF, Z, 50V | | C627 | ECJ2YB1H473K | C 0.047UF, K, 50V | |
| C005 | ECJ2VF1H104Z | C 0.1UF, Z, 50V | | C628 | ECJ2YB1H473K | C 0.047UF, K, 50V | |
| C006 | ECA1AM331B | E 330UF, 10V | | C629 | ECUX1H104K BX | C 0.1UF, K, 50V | |
| C008 | ECEA1HKA010 | E 1UF, 50V | | C631 | ECJ2VB1H472K | C 4700PF, K, 50V | |
| C109 | ECJ2VF1H103Z | C 0.01UF, Z, 50V | | C633 | ECJ2ZF1C105Z | C 1UF, Z, 16V | |
| C116 | ECJ2VF1H103Z | C 0.01UF, Z, 50V | | C634 | ECJ2ZF1C105Z | C 1UF, Z, 16V | |
| C117 | ECJ2VB1H103J | C 0.01UF, 50V | | C635 | ECJ2VF1H104Z | C 0.1UF, Z, 50V | |
| C120 | ECJ2VF1H103Z | C 0.01UF, Z, 50V | | C636 | ECEA1CKA101 | E 100UF, 16V | |
| C121 | ECJ2VF1H103Z | C 0.01UF, Z, 50V | | C639 | ECA1HM220B | E 22UF, 50V | |
| C122 | ECJ2VF1H103Z | C 0.01UF, Z, 50V | | C641 | ECJ2VC1H100C | C 10PF, C, 50V | |
| C136 | ECJ2VF1H103Z | C 0.01UF, Z, 50V | | C653 | ECEA1CKA100 | E 10UF, 16V | |
| C180 | ECJ2VG1H151J | C 150PF, J, 50V | | C654 | ECJ2VB1H103J | C 0.01UF, 50V | |
| C354 | ECCF1H330JC | C 33PF, J, 50V | | C660 | ECQV1H105JM | P 1UF, J, 50V | |
| C355 | ECCF1H330JC | C 33PF, J, 50V | | C701 | ECA1HHG101 | E 100UF, 50V | |
| C356 | ECCF1H330JC | C 33PF, J, 50V | | C703 | ECEA1HGE100 | E 10UF, 50V | |
| C357 | ECA160V33UE | E 33UF, 160V | | C704 | ECQB1H223JM | P 0.022UF, J, 50V | |
| C359 | ECQM4104KZ | P 0.1UF, K,400V | | C705 | ECQB1H122KM | P 1200PF, K, 50V | |
| C368 | ECCF1H561J | C 560PF, J, 50V | | C801 | ECKCNA102MB7 | C 1000PF, M, | |
| C370 | ECKW3D102KBP | C 1000PF, K, 2KV | | C802 | ECKCNA152ME7 | C 1500PF, M, | |
| C371 | ECEA1CN100U | E 10UF, 16V | | C803 | ECKWAE472ZE | C 4700PF, Z, | |
| C373 | ECA2EM100B | E 10UF, 250V | | C804 | ECKW3D102JBP | C 1000PF, J, 2KV | |
| C377 | ECA1CM221B | E 220UF, 16V | | C805 | B81130C1224M | P 0.22UF, 275V | |
| C402 | EEUFC1V222E | E 2200UF, 35V | | C806 | ECKWAE472ZE | C 4700PF, Z, | |
| C403 | ECA1HHG220 | E 22UF, 50V | | C807 | ECKCNA472ME7 | C 4700PF, M, | |
| C406 | ECA1HHG101 | E 100UF, 50V | | C808 | ECQB1H151KM | P 150PF, K, 50V | |
| C408 | ECQV1H274JL | P 0.27UF, J, 50V | | C809 | ECKCNA472ME7 | C 4700PF, M, | |
| C409 | EEUFC1H330B | E 33UF, 50V | | C811 | EEUFC1E470B | E 47UF, 25V | |
| C502 | ECKR2H821KB5 | C 820PF, K,500V | | C813 | ECKCNA332MEB | C 3300PF, M, | |
| C504 | ECJ2VB1H681K | C 680PF, K, 50V | | C814 | ECKR1H471KB5 | C 470PF, K, 50V | |
| C506 | L5SL4B100D | C 10PF, 500V | | C816 | ECQE2A473JF | P 0.047UF, J,250V | |
| C511 | ECA1VM101B | E 100UF, 35V | | C817 | B81130C1224M | P 0.22UF, 275V | |
| C520 | ECA0JM221B | E 220UF, 6.3V | | C818 | ECKCNA102MB7 | C 1000PF, M, | |
| C552 | ECA2EHG100 | E 10UF, 250V | | C824 | EETED2G271J | E 270UF, 400V | |
| C555 | ECKR2H471KB5 | C 470PF, K,500V | | C826 | ECA2CHG100 | E 10UF, 160V | |
| C558 | ECA2CMR47B | E 0.47UF, 160V | | C831 | ECKR3A271KBP | C 270PF, K, 1KV | |
| C559 | ECWH16912JVB | P 9100PF,J,1.6KV | | C840 | ECJ2YB1C474K | C 0.47UF, K, 16V | |

| | | | | | | | |
|-------|--------------|-------------------|--|-------|---------------------|------------------|---|
| C841 | ECJ2YB1A824K | C 0.82UF, K, | | L501 | ELH5L4129 | LINEARITY COIL | |
| C851 | ECJ2ZF1C105Z | C 1UF, Z, 16V | | L550 | EXCELDR25V | CORE | |
| C852 | ECKW3D101KBP | C 100PF, K, 2KV | | L551 | TSK1045 | BEAD CORE | |
| C853 | ECKR2H151KB5 | C 150PF, K,500V | | L552 | TSK1045 | BEAD CORE | |
| C854 | ECQB1H104JM | P 0.1UF, 50V | | L620 | TSK1045 | BEAD CORE | |
| C855 | ECJ2ZF1C105Z | C 1UF, Z, 16V | | L701 | ELC10D472E | CHOKE COIL | |
| C856 | ECKR2H151KB5 | C 150PF, K,500V | | L801 | ELF24V019A | LINE FILTER | |
| C857 | EEUFC1C471LB | E 470UF, 16V | | L802 | EXCELDR35C | BEAD CORE | |
| C859 | EEUFC1E222E | E 2200UF, 25V | | L803 | EXCELDR35C | BEAD CORE | |
| C860 | EEUFC1C332E | E 3300UF, 16V | | L820 | EXCELDR35C | BEAD CORE | |
| C861 | ECA1VMH102 | E 1000UF, 35V | | L852 | EXCELDR35C | BEAD CORE | |
| C862 | ECEA1CKA100 | E 10UF, 16V | | L856 | TLTACT1R5K | PEAKING COIL | |
| C863 | ECKR2H271KB5 | C 270PF, K,500V | | L857 | TLTACT1R5K | PEAKING COIL | |
| C865 | EEUEB2C221SE | E 220UF, 160V | | L1101 | TALV35VB331K | PEAKING COIL | |
| C866 | ECKR3A221JBP | C 220PF, J, 1KV | | L2211 | TLTACT100K | PEAKING COIL 10U | |
| C971 | ECKF1H103ZF | C 0.01UF, Z, 50V | | | TRANSFORMERS | | |
| C1101 | ECJ2VF1H104Z | C 0.1UF, Z, 50V | | T552 | ZTFN32001A | FLYBACK TRANS | △ |
| C1103 | ECJ2VC1H331J | C 330PF, J, 50V | | T553 | ETH19Y70AY | H DRIVE TRANS | △ |
| C1104 | ECA1CM101B | E 100UF, 16V | | T801 | ETS29AS126AD | SWITCHING TRANS | △ |
| C1105 | ECJ2VF1H104Z | C 0.1UF, Z, 50V | | | DIODES | | |
| C1106 | ECJ2VF1H103Z | C 0.01UF, Z, 50V | | D002 | MTZJ16A | ZENER DIODE | |
| C1203 | ECJ2VF1H104Z | C 0.1UF, Z, 50V | | D003 | MTZJ16A | ZENER DIODE | |
| C1204 | ECEA1CKA101 | E 100UF, 16V | | D011 | MA152KTX | DIODE | |
| C1205 | ECA1CM101B | E 100UF, 16V | | D120 | MA858 | DIODE | |
| C2210 | ECJ2VF1H223Z | C 0.022UF, Z, 50V | | D354 | 1SS133T77 | DIODE | |
| C2211 | ECJ2VF1H103Z | C 0.01UF, Z, 50V | | D355 | 1SS133T77 | DIODE | |
| C2212 | ECA1HM100B | E 10UF, 50V | | D356 | 1SS133T77 | DIODE | |
| C2213 | ECA1HM2R2B | E 2.2UF, 50V | | D360 | ERA22-04 | DIODE | |
| C2214 | ECA1HM2R2B | E 2.2UF, 50V | | D361 | ERA22-04 | DIODE | |
| C2215 | ECA1HM2R2B | E 2.2UF, 50V | | D362 | ERA22-04 | DIODE | |
| C2307 | ECEA1HKN010 | E 1UF, 50V | | D363 | 1SS133T77 | DIODE | |
| C2308 | ECJ2VC1H391J | C 390PF, J, 50V | | D365 | MTZJ10C | ZENER DIODE | |
| C2352 | ECA1HM010B | E 1UF, 50V | | D375 | 1SS133T77 | DIODE | |
| C2353 | ECA1CM100B | E 10UF, 16V | | D402 | D1FL20UF4063 | DIODE | |
| C2354 | ECA1CM471B | E 470UF, 16V | | D403 | MTZJ33B | ZENER DIODE | |
| C2357 | ECEA1HKN010 | E 1UF, 50V | | D511 | MA4108J | DIODE | |
| C2380 | ECA1CM101B | E 100UF, 16V | | D512 | MA171 | DIODE | |
| C2401 | ECJ2VB1H472K | C 4700PF, K, 50V | | D520 | MA152KTX | DIODE | |
| C2402 | ECJ2ZF1C105Z | C 1UF, Z, 16V | | D551 | MA3047HTX | DIODE | |
| C2403 | ECJ2ZF1C105Z | C 1UF, Z, 16V | | D552 | D1FL40F4063 | DIODE | |
| C2404 | ECJ2VB1E104K | C 0.1UF, K, 25V | | D555 | MA152KTX | DIODE | |
| C2405 | ECEA1HKAR33 | E 0.33UF, 50V | | D556 | ERD07-15 | DIODE | |
| C2406 | ECJ2VB1H102J | C 1000PF, 50V | | D557 | TVSRU2AM | DIODE | |
| C2420 | ECJ2ZF1C105Z | C 1UF, Z, 16V | | D558 | MA185 | DIODE | |
| C3016 | ECA1CM471B | E 470UF, 16V | | D603 | MA152KTX | DIODE | |
| C3024 | ECA1HM010B | E 1UF, 50V | | D606 | MA152KTX | DIODE | |
| C3111 | ECJ2VC1H561K | C 560PF, K, 50V | | D660 | MA152WKTX | DIODE | |
| C3113 | ECJ2VC1H561K | C 560PF, K, 50V | | D701 | 1SS133T77 | DIODE | |
| C3116 | ECJ2VB1H103J | C 0.01UF, 50V | | D702 | MTZJ3.6A | ZENER DIODE | |
| C3117 | ECJ2VB1H103J | C 0.01UF, 50V | | D704 | MA29T-B | DIODE | |
| C3131 | ECJ2YB1A105K | C 1UF, K, | | D705 | MTZJ5.6A | ZENER DIODE | |
| C3132 | ECJ2YB1A105K | C 1UF, K, | | D801 | TRPW5B0N120D | POSISTOR | △ |
| C3133 | ECJ2YB1A105K | C 1UF, K, | | D802 | D4SB80 | DIODE | |
| C3134 | ECJ2YB1A105K | C 1UF, K, | | D804 | MA167 | DIODE | |
| | COILS | | | D805 | D1FL20UF4063 | DIODE | |
| L001 | TLTACT100K | PEAKING COIL 10U | | D806 | ERZV10V621CS | VARISTOR | |
| L120 | TLTACTR56K | PEAKING COIL | | D807 | TLP721FD4GR | PHOTO COUPLER | △ |
| L181 | TALV35VB8R2K | PEAKING COIL | | D809 | D1FL40F4063 | DIODE | |
| L182 | TALV35VB8R2K | PEAKING COIL | | D811 | AM01A | DIODE | |
| L183 | TALV35VB8R2K | PEAKING COIL | | D815 | D1FL20UF4063 | DIODE | |
| L184 | TALV35VB6R8K | PEAKING COIL | | D816 | D1FL20UF4063 | DIODE | |
| L352 | EXCELSA24T | BEAD CORE | | D817 | MA2560 | DIODE | |

| | | | | | | | |
|--------|-----------------------------|------------------|--|--------|---------------|--------------------|---|
| D824 | MA4068M | DIODE | | Q853 | 2SC2412KT | TRANSISTOR | |
| D831 | FMLG16S | DIODE | | Q854 | 2SC2412KT | TRANSISTOR | |
| D837 | S3L60P1520 | DIODE | | Q855 | 2SC1815 | TRANSISTOR | |
| D852 | AU02A | DIODE | | Q856 | 2SC2412KT | TRANSISTOR | |
| D853 | MCR22-6 | THYRISTOR | | Q1101 | 2SC2412KT | TRANSISTOR | |
| D854 | D1FL20UF4063 | DIODE | | Q2380 | DTD113ZKT | TRANSISTOR | |
| D855 | D1FL20UF4063 | DIODE | | Q2381 | 2SA1037AKT | TRANSISTOR | |
| D856 | RN1ZLF-A1 | DIODE | | Q2401 | 2SC2412KT | TRANSISTOR | |
| D857 | D1FL20UF4063 | DIODE | | Q2402 | 2SC2412KT | TRANSISTOR | |
| D862 | MTZJ6.2C | ZENER DIODE | | Q2403 | 2SC2412KT | TRANSISTOR | |
| D863 | MTZJ18B | ZENER DIODE | | Q2404 | 2SC2412KT | TRANSISTOR | |
| D865 | MTZJ24B | ZENER DIODE | | Q2405 | 2SC2412KT | TRANSISTOR | |
| D1101 | MA152WKTX | DIODE | | Q2406 | 2SC2412KT | TRANSISTOR | |
| D1102 | MTZJ5.6A | ZENER DIODE | | Q2407 | 2SC2412KT | TRANSISTOR | |
| D1104 | LNH201RGRF5 | LED | | | OTHERS | | |
| D1105 | MTZJ7.5C | ZENER DIODE | | A1 | TJS4G9010 | CONNECTOR | |
| D1120 | MA152KTX | DIODE | | A2 | K1KA02A00236 | CONNECTOR | |
| D1204 | MTZJ5.6B | ZENER DIODE | | A3 | K1KA02A00235 | CONNECTOR | |
| D2380 | MA152KTX | DIODE | | A5 | TJS3A9670 | 6P CONNECTOR | |
| D2381 | MA152KTX | DIODE | | A8 | TJS3A9880 | 8P CONNECTOR | |
| | INTEDGRATED CIRCUITS | | | A9 | TJS4G8090 | 20P CONNECTOR | |
| IC351 | TDA6107Q/N2 | LINEAR IC | | DYH | K1KA03A00216 | CONNECTOR | |
| IC451 | LA7840 | LINEAR IC | | DYV | TJS3A9640 | 3P CONNECTOR | |
| IC601 | TDA9363S096B | IC | | F801 | XBA2C31TR0 | FUSE 250V 3.15A | △ |
| IC701 | TEA2031A | IC | | JA1 | ERJ6GEY0R00 | M 00HM,J,1/10W | |
| IC801 | STRF6656LF53 | LINEAR IC | | JA3 | ERJ6GEY0R00 | M 00HM,J,1/10W | |
| IC802 | SE140N | LINEAR IC | | JK351 | TJSC01200 | CRT SOCKET | △ |
| IC851 | AN7805 | LINEAR IC | | JK3001 | TJB4G633 | REAR AV TERMINAL | |
| IC852 | AN7808 | LINEAR IC | | JK3101 | TJB4G640 | AV TERMINAL | |
| IC1102 | MN13812-JTA | MOS IC | | JS1 | ERJ6GEY0R00 | M 00HM,J,1/10W | |
| IC1103 | TVR4GAS068 | IC (EEPROM) | | JS2 | ERJ6GEY0R00 | M 00HM,J,1/10W | |
| IC1104 | RPM6937 | REMOTE CONTROL R | | JS19 | ERJ6GEY0R00 | M 00HM,J,1/10W | |
| IC1201 | PQ1R33 | LINEAR IC | | JS20 | ERJ6GEY0R00 | M 00HM,J,1/10W | |
| IC1202 | AN78L05 | LINEAR IC | | JS24 | ERJ6GEY0R00 | M 00HM,J,1/10W | |
| IC2201 | TDA9820T/V1 | IC | | JS28 | ERJ6GEY0R00 | M 00HM,J,1/10W | |
| IC2303 | AN7522 | LINEAR IC | | JS31 | ERJ6GEY0R00 | M 00HM,J,1/10W | |
| | TRANSISTORS | | | JS34 | ERJ6GEY0R00 | M 00HM,J,1/10W | |
| Q001 | 2SC2412KT | TRANSISTOR | | JS35 | ERJ6GEY0R00 | M 00HM,J,1/10W | |
| Q101 | 2SC2412KT | TRANSISTOR | | JS41 | ERJ6GEY0R00 | M 00HM,J,1/10W | |
| Q102 | 2SC4787 | TRANSISTOR | | JS42 | ERJ6GEY0R00 | M 00HM,J,1/10W | |
| Q103 | 2SD2114KT | TRANSISTOR | | JS551 | ERJ6GEY0R00 | M 00HM,J,1/10W | |
| Q105 | 2SC2412KT | TRANSISTOR | | JS2201 | ERJ6GEY0R00 | M 00HM,J,1/10W | |
| Q180 | 2SA1037AKT | TRANSISTOR | | JS2202 | ERJ6GEY0R00 | M 00HM,J,1/10W | |
| Q369 | 2SA564AQR | TRANSISTOR | | JS2205 | ERJ6GEY0R00 | M 00HM,J,1/10W | |
| Q401 | 2SA1037AKT | TRANSISTOR | | JS3010 | ERJ6GEY0R00 | M 00HM,J,1/10W | |
| Q445 | 2SC3326ATX | TRANSISTOR | | JS3101 | ERJ6GEY0R00 | M 00HM,J,1/10W | |
| Q446 | 2SC2412KT | TRANSISTOR | | L5 | TJS3A9670 | 6P CONNECTOR | |
| Q447 | 2SC2412KT | TRANSISTOR | | L8 | TJS3A9880 | 8P CONNECTOR | |
| Q501 | 2SC4212H | TRANSISTOR | | S801 | ESB92DA1B | SWITCH | △ |
| Q520 | 2SB792ATX | TRANSISTOR | | S1001 | EVQ11G05R | SWITCH | |
| Q551 | 2SD2553 | TRANSISTOR | | S1002 | EVQ11G05R | SWITCH | |
| Q601 | 2SA1037AKT | TRANSISTOR | | S1003 | EVQ11G05R | SWITCH | |
| Q602 | 2SC2412KT | TRANSISTOR | | S1004 | EVQ11G05R | SWITCH | |
| Q603 | 2SA1037AKT | TRANSISTOR | | S1005 | EVQ11G05R | SWITCH | |
| Q605 | 2SC2412KT | TRANSISTOR | | S1006 | EVQ11G05R | SWITCH | |
| Q606 | 2SC2412KT | TRANSISTOR | | TNR001 | ENV59D82G3D | TUNER | △ |
| Q607 | 2SA1037AKT | TRANSISTOR | | X101 | K7256M | SAW FILTER | |
| Q608 | 2SC2412KT | TRANSISTOR | | X180 | EFCS5M7MW3 | CERAMIC FILTER | |
| Q701 | 2SA1037AKT | TRANSISTOR | | X181 | EFCS6R0MW5 | CERAMIC FILTER | |
| Q801 | 2SK1006RF122 | TRANSISTOR | | X182 | EFCS6R5MW5 | CERAMIC FILTER | |
| Q850 | 2SC1815 | TRANSISTOR | | X183 | EFCS4R5MW5 | CERAMIC FILTER | |
| Q852 | 2SC2412KT | TRANSISTOR | | X601 | TSSA010 | CRYSTAL OSCILLATOR | |

| | | | |
|-------|------------|----------------|--|
| X2201 | SFSH6R0MDB | CERAMIC FILTER | |
| X2202 | EFCS5R5MS5 | CERAMIC FILTER | |
| X2203 | EFCS6R5MS5 | CERAMIC FILTER | |
| X2204 | EFCS4R5MS5 | FILTER | |
| Z9 | TJS4G8080 | 20P CONNECTOR | |
| Z22 | TJS1A8100 | PHONO PIN | |