

CONTENTS

I.	Servicing Precautions.....	3
II.	Product Specification.....	4
III.	Brief Introduction On Chassis.....	6
IV.	IC Pin Description.....	10
V.	Adjusting Description.....	39
VI.	Troubleshooting.....	46
VII.	PCB Layout Diagram.....	58
VIII.	Schematic Circuit Diagram.....	60
IX.	Exploded View.....	61
X.	Spare Parts List.....	62
XI.	Safety & EMC Components.....	74
XII.	Change Record.....	75

* FOR INFORMATION ONLY



SERVICE MANUAL FOR M28 ONE-CHIP CHASSIS

PART I. Servicing Precautions

When working, the unit is with high voltage about 25KV inside. So, to avoid the risk of electric shock, be careful to adjust the chassis!

1. Only qualified personnel should perform service procedures.
2. All specification must be met over line voltage ranger of 110V AC to 240V AC 50Hz/60Hz.
3. Do not operate in WET/DAMP conditions.
4. Portions of the power supply board are hot ground. The remaining boards are cold ground.
5. Discharge of CRT anode should be done only to CRT ground strap.
6. When fuse blow, ensure to replace a fuse with the same type and specification.
7. Keep the wires away from the components with high temperature or high voltage.
8. When replacing the resister with high power, keep it over the PCB about 10mm.
9. The CRT anode high voltage has been adjusted and set in the factory. When repairing the chassis, do not make the high voltage exceed 27.5KV (The beam current is 0uA). Generally, the high voltage is set on 25.5KV \pm 1.5KV (The beam current is 700uA).
* The values of parameters above are for information only.
10. Before return the fixed unit, do check all the covering of wires to ensure that not fold or not short with any metal components. Check the entire protection units, such as control knobs, rear cabinet & front panel, insulation resister & capacitor, mechanical insulators and so on.
11. There are some mechanical and electrical parts associating with safety (EMC) features (Generally related to high voltage or high temperature or electric shock), these features cannot be found out from the outside. When replace these components, perhaps the voltage and power suit the requirements, but efficient X-ray protection may not be provided. All these components are marked with Δ in the schematic diagram. When replace these, you'd better look up the components listed in this manual. If the component you replaced not has the same safety (EMC) performance, harmful X-ray may be produced.



PART II -Product Specification

1. Ambient Conditions:

1.1 Ambient Temperatures:

- a. Operating: $-10^{\circ}\text{C} \sim +40^{\circ}\text{C}$
- b. Storage: $-15^{\circ}\text{C} \sim +45^{\circ}\text{C}$

1.2 Humidity

- a. Operation: $<80\%$
- b. Storage: $<90\%$

1.3 Air Pressure: 86kpa ~ 106kpa

2. GENERAL SPECIFICATION

2.1 MPU & Chroma IC: TMPA8803CSN (One-Chip)

2.2 TV Broadcasting System

PAL DK/BG

SECAM DK/BG

NTSC 3.579/4.43 AV MODE

2.3 Scanning Lines & Frequencies

525/625 lines

15.625KHz/15.75KHz

50/60Hz

2.4 Color Sub-Carrier: 4.433MHz/3.579MHz

2.5 IF: Picture 38.9MHz Sound 5.5/6.5MHz

2.6 Power Consumption: 80W

2.7 Power Supply: AC 220V 50Hz \pm 10%

2.8 Audio Output Power (7%THD): $\geq 4\text{W} + 4\text{W}$

2.9 Aerial Input Impedance: 75 Ω Unbalanced Din Jack Ant.Input

2.10 Product Safety Requirement: VDE Approval

2.11 Product EMC/EMI Requirement: FTZ Approval

3. Basic Features of Controller

3.1 Channel Tuning Method: Voltage Synthesizer



3.2 Presetable Program: 100 Programs

3.3 Tuning for VHF and UHF Bands: Auto/Manual/Fine Tuning

3.4 Picture and Sound Adjustment

Bright, Contrast, Color and Volume Control

TINT Control (NTSC)

Sharpness Control

3.5 OSD

General Features (Volume, Brightness, Contrast, Color, Program, Band, Auto Search, Manual, Tune, Muting, AV and Sleep Timer)

NICAM and Dual Language

German Stereo Indicator

3.6 Sleep Timer: 10-120 Minutes with 10Min.Increment

3.7 Auto Off When No Broadcasting Signal: 15 min

3.8 Full Function Infrared Remote Control

3.9 Remote Effective Distance: 8m

4. Construction of Front Panel

Main Power Switch

Remote Sensor

Standby Indicator

Menu Select

TV/AV Select

Program and Volume Up/Down

5. Construction of Real Panel

75Ω Aerial Terminal

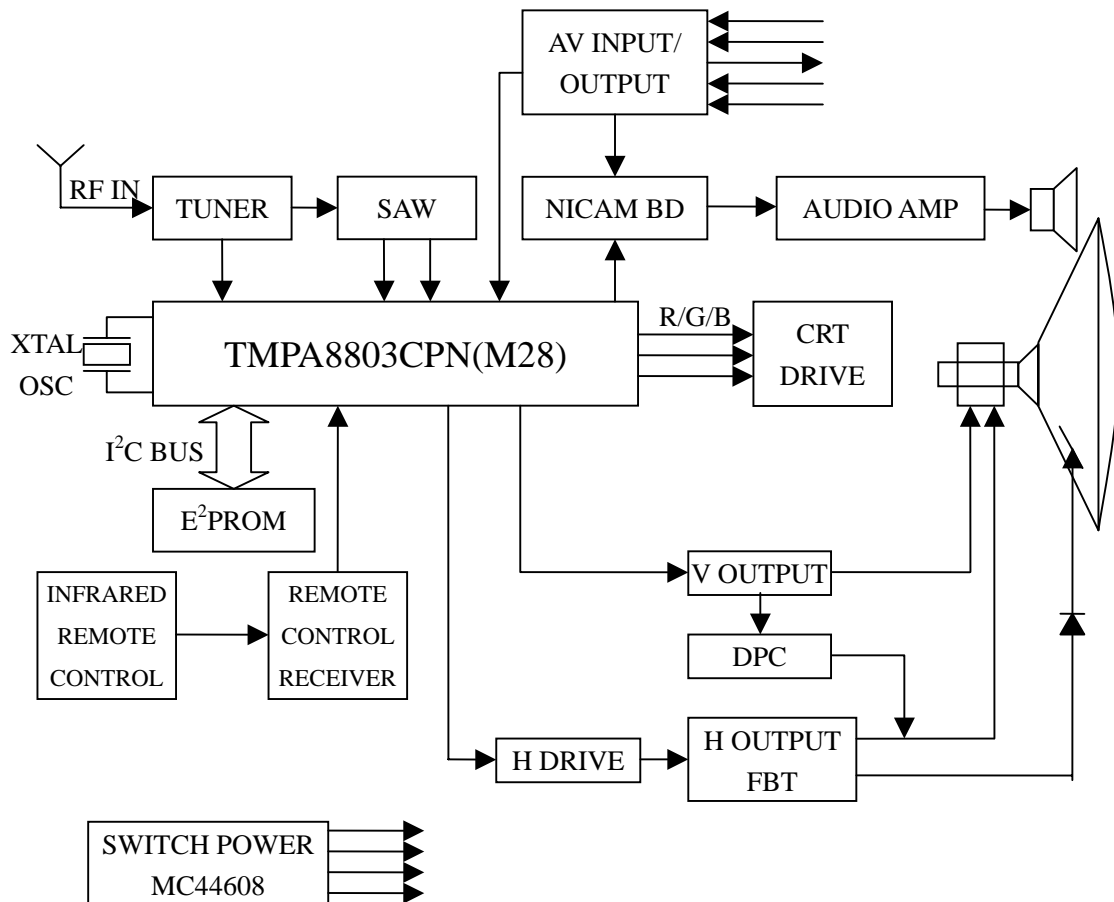
RCA Socket –Audio-R+L In/Out, Video- In/Out

Y/U/V Input

6. Other Information

6.1 Colour Temperature: 9300K X=284 Y=299

6.2 Magnetic Field: Bv=0.2~0.5Gs

**PART III. Brief Introduction on Chassis**

The TV signal is amplified by the frequency mixing circuit of the tuner. Then the tuner output PIF and SIF signals. The IF signals are amplified about 20dB by the pre IF amplifier (Q101). Having passed the SAW, the IF signals go into the TMP8803CPN from pin ②, ③. The IF signal pass the video detect circuit to generate CVBS signal. Then the processor deals the signal with luminance and chroma separation. The processor deals the luminance signal with Y-Delay, Y-Gamma correction, Y-hf compensation and black strength, all which ensure that there are enough bandwidth and gain with Y signal, so that the resolution of picture detail is improved and the Y signal is well timed with chroma signal. The processor also deals the chroma signal with chroma sub-carrier recovery, color system recognition and color signal decoding, then outputs B-Y and R-Y color difference signal. A matrix circuit converts the color difference signal (Y, B-Y and R-Y) into primary color signal (R/G/B). On the other hand, the processor separated the horizontal and vertical sync signal from the CVBS signal which was generated by video detect circuit. Having passed the horizontal (or vertical) frequency dividing circuit, the H (or V) OSC signal, which be generated by H-AFC (or V-AFC), is changed to H (or V) drive signal. The H/V drive signal make the horizontal/vertical circuits and scan output circuit to generate H/V saw tooth wave



1.Channel Section

The RF signal is converted into IF signal by the tuner. Then the IF signal cross the IF amplifier circuit (pre IF amplifier) to get a gain about 15dB. By the coupling capacitance (c110) and the match resistance (R114 56Ω), the input resistance of the pre-IF amplifier match with the tuner. The signals pass a parallel connection circuit with voltage NFB, which combines the advantages of low output impedance, of wide dynamic range and of less components. R116 is a voltage NFB component, which is used to adjust the gain in the pass band. Having been amplified by the IF amplifier, the IF signal pass a SAW, and then come into TMPA8803CSN from pin41 and pin42 with balance. The processor deal the IF signal with IF detection, PLL demodulation, IF AGC, AFC, video peak detection, and color system recognition etc., then output a AGC signal from pin 43 to the tuner to adjust the input amplitude of IF signal. R217, C218 and C219 make up of picture IF PLL circuit, which is used to control IF detection. IC201 output a sound IF signal from pin 31 and a video signal, which will be amplified by Q209, from pin30. The processor output a sound system control signal to Q208. If the processor output a high level from pin59 (sound detection), Q208 is on, and a video signal is separated from the IF signal by a trap. With capacitance coupling, the video signal comes into IC201 from pin26, and then it is selected by inner switches and output from pin45. Having come out, the video signal will be amplified by Q210, and a sync signal will be separated by a sync separate circuit which is made up by C208, Q202 and Q203. Then the video come into inner 870X CPU module from IC201 pin62 to detect whether the signal is live signal.

Tuning control and band switch control circuits

The processor output a tuning control signal from pin60. The control signal will pass Q103 common emitter amplifying circuit, then an integrating circuit. Finally, it is added to the VT terminal to provide all channels' tuning voltage for the tuner to stabilize the channels.

2.Vertical Output Section

TMPA8803CSN outputs vertical saw-tooth wave from pin 16. It come to pin5 of LA7840 with DC coupling, and is amplified by inner difference amplifier. Pin4 of LA7840 is the same phase input terminal. R307 and R308 are DC offset resistances. C305 is a filter capacitor. In application to M28, pin4 of la7840 is fixed as the DC amplify ref terminal. The amplified saw tooth wave come out la7840 from pin2 and make the deflect coil to generate the deflect current. R314 and C301 filtrate the inductive interference from the horizontal deflect coil. R317 and C309 are used to eliminate spurious oscillation generated by the deflect coil and distributed capacitance resonance. C308, R313, C307 and accessory circuit are in charge of draw AC saw tooth wave out at the deflect coil terminal connected with R315 & R316, and feedback to the input terminal of la7840 (pin5) to correct the linearity of horizontal scan. C306 is a high frequency decoupling capacitor. D301 and C303 make up of a voltage pump up circuit. La7840 output a vertical kickback impulse from pin7 to locate the OSD characters.

3.Horizontal Output Section

The processor outputs horizontal drive impulse from pin 13. The drive impulse is done with voltage division by R238 and R401, and then comes to the base of the drive triode (Q401). C401 is used to eliminate the noise in the H drive impulse. T401 is a horizontal drive transformer. Q402 is a horizontal output triode with a damper inside. L402 is connected with the emitter of the horizontal output diode to eliminate the radiation and to improve the distortions at the cross of vertical and horizontal white



lines. C406 and C402 are retrace capacitors and C421 is an s-correct capacitor. L441 and L442 are horizontal linear inductors. R441 is used to eliminate the parasitic oscillation caused by horizontal linear inductors. C420, R413 and D411 are used to correct the M-distortion in horizontal direction. C422, R415 and R415A are coupling components for the horizontal retrace impulse, which are feed back to pin 12 of TMPA8803CSN. D404 is a negative peak-killer diode.

Horizontal scanning distortion and the method to compensate it

The deflect coil and the horizontal output triode have some resistance R while they are ducting. The resistance R will cause the non-linear distortion, which means that the right direction scanning speed of the electron beam becomes slower, and the right of the raster is compressed to generate distortion. We use a horizontal linear adjuster to compensate this kind of distortion. We use L412 and L411 as the H linear adjusters in H scanning section of M28 chassis. R411, which is parallel connected with L411 and L412, is a despiking resistance for preventing the oscillation by compensating inductor and the stray capacitance. The linear adjuster is a transducer coil with a magnetic core inside. If the current, which pass the linear adjuster coil, increase to a certain value, the magnetic core becomes saturated to decrease the inductance of the linear adjustment inductor. If the +B is steady, the increase speed of I_y is faster to compensate the reducing of deflecting current by the resistance R mention above.

We can adjust the magnetic core to chang the inductance of the linear compensate inductor to adjust the H linearity.

The EHT generation circuit

The FBT supply the anode high voltage, focus voltage and screen voltage for M28 chassis. D401 and C408 are in charge of regulating the primary impulse of the transformer to output a voltage of 190V for the video amplifiers. The (10) ~ (8) coils of the FBT supply the heater with power. Having passed the divider and clipping circuits, which are maded up by R415, R415A, C422 and D404, the H retrace impulses getting out from (3) ~ (10) coils are inputed to pin12 of TMPA8803CSN to generate sand castle impulse.

To limit the beam current in a safe range, we add a ABL circuit in M28 chassis. We add two sampling resistances (R414, R415) between +24V power supply and pin7 of the FBT. The voltage at the joint of the two resistances is feed back to pin27 of TMPA8803CSN to control bright and contrast to limit the beam current. It is also in charge of regulating EHT. C410 is a fliter capacitor for ABL voltage.

The impulses, which are induced by secondary coil 5, are changed to 12V once passed the regulating and fliting circuit made up by D402 and C413. IC401 change 12V power supply to 9V for many circuits, such as R/G/B output circuit of TMPA8803CSN, IC4053, pre IF-amplifier circuit, bright dots killer circuit and S terminal circuit. IC402 outputs a 5V power supply for the keyboard circuit. C418, C417, C423 and C425 are fliter capacitors. D402 and C413 are incharge of regulating and flitering for the output of coil6 to supply the V scanning output section with 24V power. The 24V is added to the upper terminal of the V deflecting yoke as the DC bias for the movement of V center.

Extension distortion and compensation

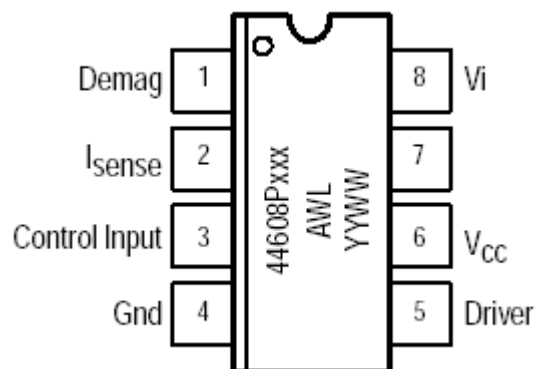
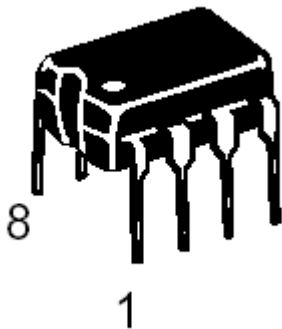
This kind of distortion is mainly caused by the structure of CRT. Due to the sscreen of SF CRT is not a ture flat screen, the distances from the deflecting center to the screen are not the same. The scanning speed of the electron beam is uniform. If the electron beam scanning the screen equally with the



effect of true linear sawtooth current, the E-W sides of the picture are stretched. That is the extension distortion. Usually, we add a S-correct capacitor in series with the deflecting coil to compensate this kind of distortion. The integral character of S-correct capacitor make the current waveform S shape. So the scanning speed of electron beam at the center of screen is faster than the one at the side. So this action can correct the extension distortion. C421 is a S-correct capacitor. The capacitance is inverse ratio with the correcting effect.

**PART IV. IC Pin Description****1. MC44608-High Voltage PWM Controller**

Pin	Name	Description
1	Demag	The Demag pin offers 3 different functions: Zero voltage crossing detection (50mV), 24 A current detection and 120 A current detection. The 24 A level is used to detect the secondary reconfiguration status and the 120 A level to detect an Over Voltage status called Quick OVP.
2	I _{sense}	The Current Sense pin senses the voltage developed on the series resistor inserted in the source of the power MOSFET. When I _{sense} reaches 1V, the Driver output (pin 5) is disabled. This is known as the Over Current Protection function. A 200 A current source is flowing out of the pin 3 during the start-up phase and during the switching phase in case of the Pulsed Mode of operation. A resistor can be inserted between the sense resistor and the pin 3, thus a programmable peak current detection can be performed during the SMPS stand-by mode.
3	Control Input	A feedback current from the secondary side of the SMPS via the opto-coupler is injected into this pin. A resistor can be connected between this pin and GND to allow the programming of the Burst duty cycle during the Stand-by mode.
4	Ground	This pin is the ground of the primary side of the SMPS.
5	Driver	The current and slew rate capability of this pin are suited to drive Power MOSFETs.
6	V _{CC}	This pin is the positive supply of the IC. The driver output gets disabled when the voltage becomes higher than 15V and the operating range is between 6.6V and 13V. An intermediate voltage level of 10V creates a disabling condition called Latched Off phase.
7		This pin is to provide isolation between the V _i pin 8 and the V _{CC} pin 6.
8	V _i	This pin can be directly connected to a 500V voltage source for start-up function of the IC. During the Start-up phase a 9 mA current source is internally delivered to the V _{CC} pin 6 allowing a rapid charge of the V _{CC} capacitor. As soon as the IC starts-up, this current source is disabled.





OPERATING DESCRIPTION

Regulation

The pin 3 senses the feedback current provided by the opto-coupler. During the switching phase the switch S2 is closed and the shunt regulator is accessible by the pin 3. The shunt regulator voltage is typically 5V. The dynamic resistance of the shunt regulator represented by the zener diode is 20Ω. The gain of the Control input is given on Figure 10 which shows the duty cycle as a function of the current injected into the pin 3.

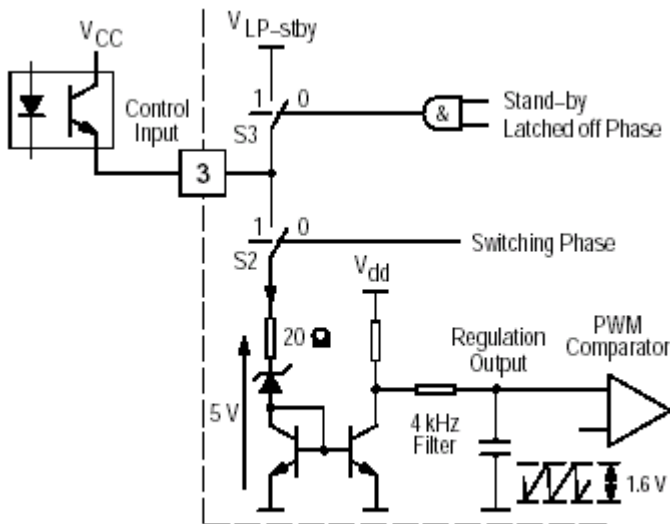


Figure 1. Regulator

A 4KHz filter network is inserted between the shunt regulator and the PWM comparator to cancel the high frequency residual noise.

The switch S3 is closed in Stand-by mode during the Latched Off Phase while the switch S2 remains open. (See section PULSED MODE DUTY CYCLE CONTROL).

The resistor Rdpulsed (Rduty cycle burst) has no effect on the regulation process. This resistor is used to

determine the burst duty cycle described in the chapter “Pulsed Duty Cycle Control” on page 8.

PWM Latch

The MC44608 works in voltage mode. The on-time is controlled by the PWM comparator that compares the oscillator sawtooth with the regulation block output.

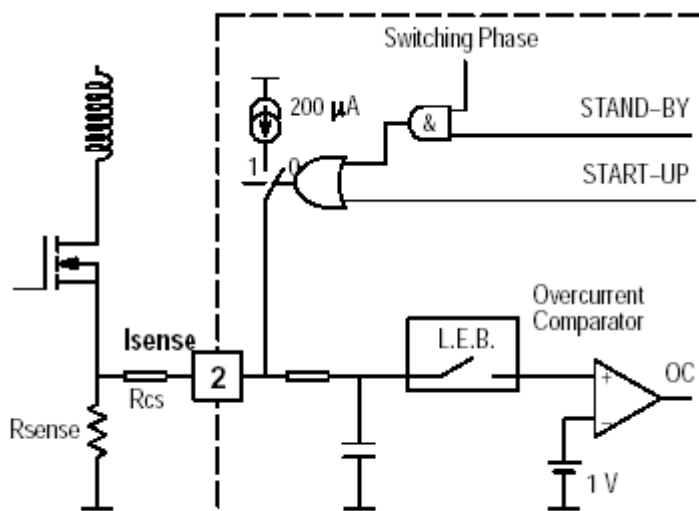


Figure 2. Current Sense

The PWM latch is initialized by the oscillator and is reset by the PWM comparator or by the current sense comparator in case of an over current. This configuration ensures that only a single pulse appears at the circuit output during an oscillator cycle.

Current Sense

The inductor current is converted to a positive voltage by inserting a ground reference sense resistor R_{Sense} in series with the power switch.

The maximum current sense threshold is fixed at 1V. The peak current is given by the following



equation:

$$I_{pk_{max}} = 1/R_{sense}(\Omega) \quad (A)$$

In stand-by mode, this current can be lowered as due to the activation of a 200 μ A current source:

$$I_{pk_{MAX-STBY}}$$

The current sense input consists of a filter (6k Ω , 4pF) and of a leading edge blanking. Thanks to that, this pin is not sensitive to the power switch turn on noise and spikes and practically in most applications, no filtering network is required to sense the current.

Finally, this pin is used:

- as a protection against over currents ($I_{sense} > I$)
- as a reduction of the peak current during a Pulsed Mode switching phase.

The overcurrent propagation delay is reduced by producing a sharp output turn off (high slew rate). This results in an abrupt output turn off in the event of an over current and in the majority of the pulsed mode switching sequence.

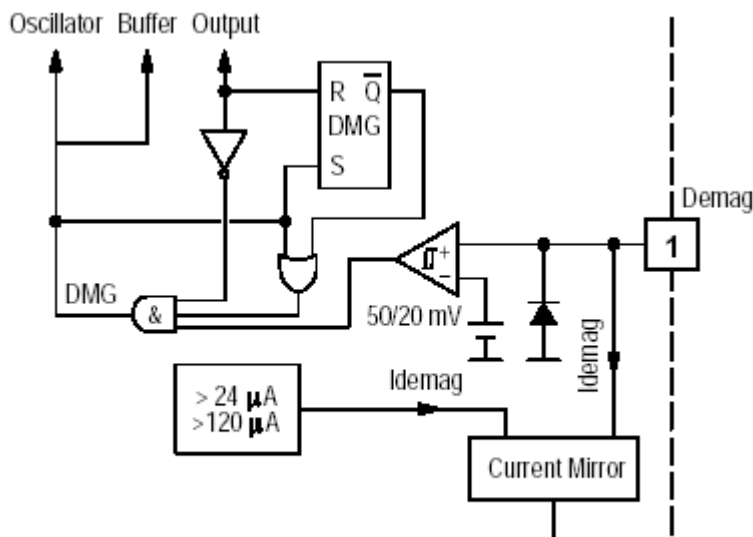


Figure 3. Demagnetization Block

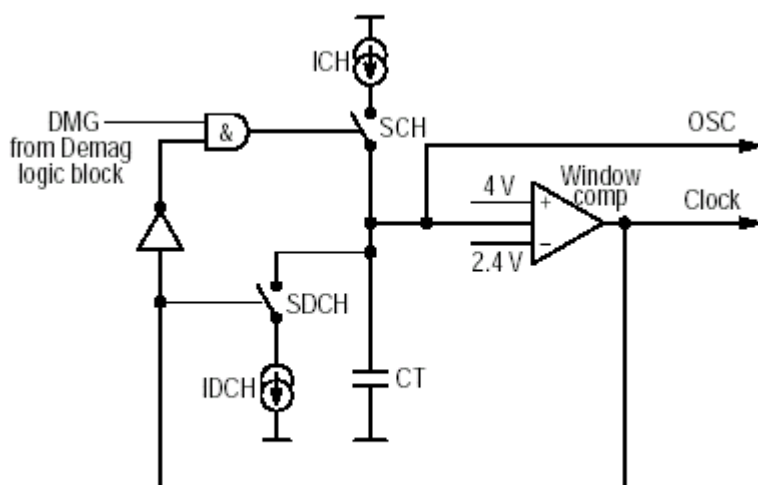


Figure 4. Oscillator Block

Demagnetization Section

The MC44608 demagnetization detection consists of a comparator designed to compare the V_{CC} winding voltage to a reference that is typically equal to 50mV.

This reference is chosen low to increase effectiveness of the demagnetization detection even during start-up.

A latch is incorporated to turn the demagnetization block output into a low level as soon as a voltage less than 50 mV is detected, and to keep it in this state until a new pulse is generated on the output. This avoids any ringing on the input signal which may alter the demagnetization detection.

For a higher safety, the demagnetization block output is also directly connected to the



output, which is disabled during the demagnetization phase.

The demagnetization pin is also used for the quick, programmable OVP. In fact, the demagnetization input current is sensed so that the circuit output is latched off when this current is detected as higher than $120\mu\text{A}$.

This function can be inhibited by grounding it but in this case, the quick and programmable OVP is also disabled.

Oscillator

The MC44608 contains a fixed frequency oscillator. It is built around a fixed value capacitor CT successively charged and discharged by two distinct current sources ICH and IDCH. The window comparator senses the CT voltage value and activates the sources when the voltage is reaching the 2.4V/4V levels.

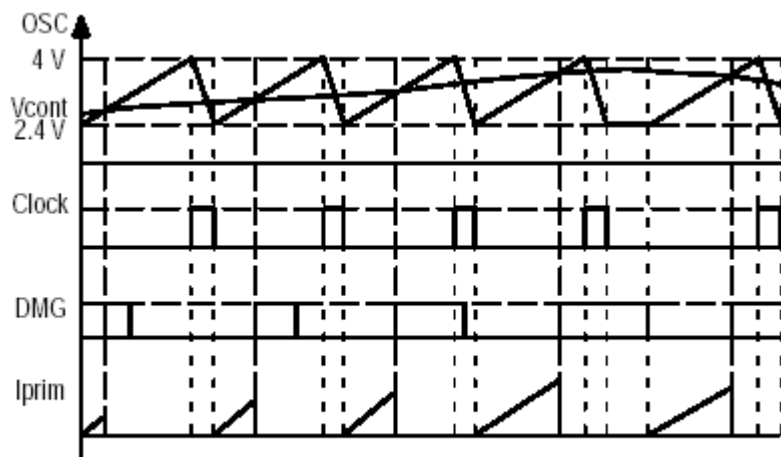


Figure 5.

The complete demagnetization status DMG is used to inhibit the recharge of the CT capacitor. Thus in case of incomplete transformer demagnetization the next switching cycle is postpone until the DMG signal appears. The oscillator remains at 2.4V corresponding to the sawtooth valley voltage. In this way the SMPS is

working in the so called SOPS mode (Self Oscillating Power Supply). In that case the effective switching frequency is variable and no longer depends on the oscillator timing but on the external working conditions (Refer to DMG signal in the Figure 5).

The OSC and Clock signals are provided according to the Figure 5. The Clock signals correspond to the CT capacitor discharge. The bottom curve represents the current flowing in the sense resistor R_{cs} . It starts from zero and stops when the sawtooth value is equal to the control voltage V_{cont} . In this way the SMPS is regulated with a voltage mode control.

Overvoltage Protection

The MC44608 offers two OVP functions:

- a fixed function that detects when V_{CC} is higher than 15.4V
- a programmable function that uses the demag pin. The current flowing into the demag pin is mirrored and compared to the reference current I_{ovp} ($120\mu\text{A}$). Thus this OVP is quicker as it is not impacted by the V_{CC} inertia and is called QOVP.

In both cases, once an OVP condition is detected, the output is latched off until a new circuit



START-UP.

Start-up Management

The Vi pin 8 is directly connected to the HV DC rail Vin. This high voltage current source is

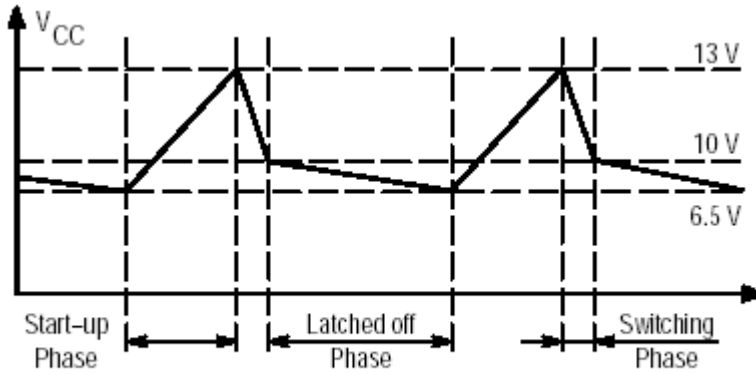


Figure 6. Hiccup Mode

internally connected to the V_{CC} pin and thus is used to charge the V_{CC} capacitor. The V_{CC} capacitor charge period corresponds to the Start-up phase. When the V_{CC} voltage reaches 13V, the high voltage 9mA current source is disabled and the device starts working. The device enters into the switching phase.

It is to be noticed that the maximum rating of the Vi pin 8 is 700V. ESD protection circuitry is not currently added to this pin due to size limitations and technology constraints. Protection is limited by the drain-substrate junction in avalanche breakdown. To help increase the application safety against high voltage spike on that pin it is possible to insert a small wattage 1kΩ series resistor between the Vin rail and pin 8.

The Figure 6 shows the V_{CC} voltage evolution in case of no external current source providing current into the V_{CC} pin during the switching phase. This case can be encountered in SMPS when the self supply through an auxiliary winding is not present (strong overload on the SMPS output for example). The Figure 16 also depicts this working configuration.

In case of the hiccup mode, the duty cycle of the switching phase is in the range of 10%.

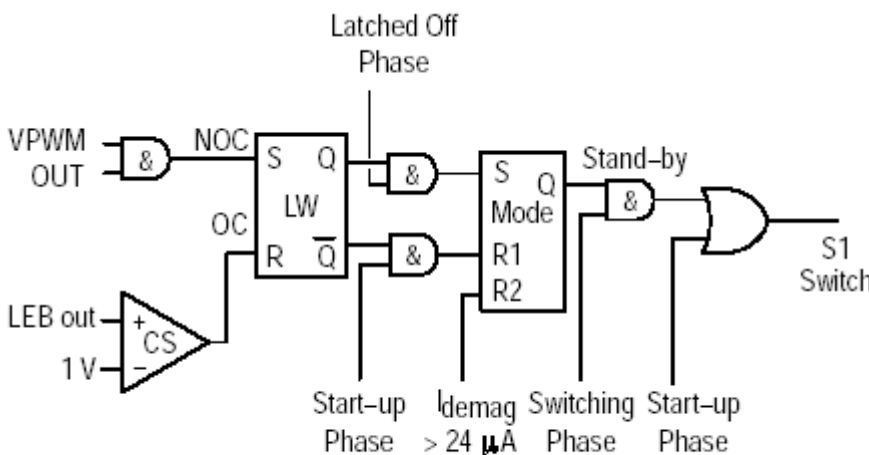


Figure 7. Transition Logic

Mode Transition

The LW latch Figure 7 is the memory of the working status at the end of every switching sequence. Two different cases must be considered for the logic at the termination of the SWITCHING PHASE:

1. No Over Current

was observed



2. An Over Current was observed

These 2 cases are corresponding to the signal labeled NOC in case of “No Over Current” and “OC” in case of Over Current. So the effective working status at the end of the ON time memorized in LW corresponds to Q=1 for no over current and Q=0 for over current.

This sequence is repeated during the Switching phase.

Several events can occur:

1. SMPS switch OFF
2. SMPS output overload
3. Transition from Normal to Pulsed Mode
4. Transition from Pulsed Mode to Normal Mode

□ 1. SMPS SWITCH OFF

When the mains is switched OFF, so long as the bulk electrolytic bulk capacitor provides energy to the SMPS, the controller remains in the switching phase. Then the peak current reaches its maximum peak value, the switching frequency decreases and all the secondary voltages are reduced. The V_{CC} voltage is also reduced. When V_{CC} is equal to 10V, the SMPS stops working.

□ 2. Overload

In the hiccup mode the 3 distinct phases are described as follows (refer to Figure 6):

The SWITCHING PHASE: The SMPS output is low and the regulation block reacts by increasing the ON time ($d_{max} = 80\%$). The OC is reached at the end of every switching cycle. The LW latch (Figure 7) is reset before the VPWM signal appears. The SMPS output voltage is low. The V_{CC} voltage cannot be maintained at a normal level as the auxiliary winding provides a voltage which is also reduced in a ratio similar to the one on the output (i.e. $V_{out\ nominal} / V_{out\ short-circuit}$). Consequently the V_{CC} voltage is reduced at an operating rate given by the combination V_{CC} capacitor value together with the I_{CC} working consumption (3.2mA) according to the equation 2. When V_{CC} crosses 10V the WORKING PHASE gets terminated. The LW latch remains in the reset status.

The LATCHED-OFF PHASE: The V_{CC} capacitor voltage continues to drop. When it reaches 6.5V this phase is terminated. Its duration is governed by equation 3.

The START-UP PHASE is reinitiated. The high voltage start-up current source ($-I_{CCI} = 9mA$) is activated and the MODE latch is reset. The V_{CC} voltage ramps up according to the equation 1. When it reaches 13V, the IC enters into the SWITCHING PHASE.

The NEXT SWITCHING PHASE: The high voltage current source is inhibited, the MODE latch (Q=0) activates the NORMAL mode of operation. Figure 2 shows that no current is injected out pin 2. The over current sense level corresponds to 1V.

As long as the overload is present, this sequence repeats. The SWITCHING PHASE duty cycle is in the range of 10%.



□ 3. Transition from Normal to Pulsed Mode

In this sequence the secondary side is reconfigured (refer to the typical application schematic on page 13). The high voltage output value becomes lower than the NORMAL mode regulated value. The TL431 shunt regulator is fully OFF. In the SMPS stand-by mode all the SMPS outputs are lowered except for the low voltage output that supply the wake-up circuit located at the isolated side of the power supply. In that mode the secondary regulation is performed by the zener diode connected in parallel to the TL431.

The secondary reconfiguration status can be detected on the SMPS primary side by measuring the voltage level present on the auxiliary winding Laux. (Refer to the Demagnetization Section). In the reconfigured status, the Laux voltage is also reduced. The V_{CC} self-powering is no longer possible thus the SMPS enters in a hiccup mode similar to the one described under the Overload condition.

In the SMPS stand-by mode the 3 distinct phases are:

The SWITCHING PHASE: Similar to the Overload mode. The current sense clamping level is reduced according to the equation of the current sense section, page 5. The C.S. clamping level depends on the power to be delivered to the load during the SMPS stand-by mode. Every switching sequence ON/OFF is terminated by an OC as long as the secondary Zener diode voltage has not been reached. When the Zener voltage is reached the ON cycle is terminated by a true PWM action. The proper SWITCHING PHASE termination must correspond to a NOC condition. The LW latch stores this NOC status.

The LATCHED OFF PHASE: The MODE latch is set.

The START-UP PHASE is similar to the Overload Mode. The MODE latch remains in its set status (Q=1).

The SWITCHING PHASE: The Stand-by signal is validated and the 200 μ A is sourced out of the Current Sense pin 2.

□ 4. Transition from Stand-by to Normal

The secondary reconfiguration is removed. The regulation on the low voltage secondary rail can no longer be achieved, thus at the end of the SWITCHING PHASE, no PWM condition can be encountered. The LW latch is reset.

At the next WORKING PHASE a NORMAL mode status takes place.

In order to become independent of the recovery time SWITCHING PHASE constant on the secondary side of the SMPS an additional reset input R2 is provided on the MODE latch. The condition $I_{demag} < 24\mu A$ corresponds to the activation of the secondary reconfiguration status. The R2 reset insures a return into the NORMAL mode following the first corresponds to 1V. START-UP PHASE.

Pulsed Mode Duty Cycle Control

During the sleep mode of the SMPS the switch S3 is closed and the control input pin 3 is connected to



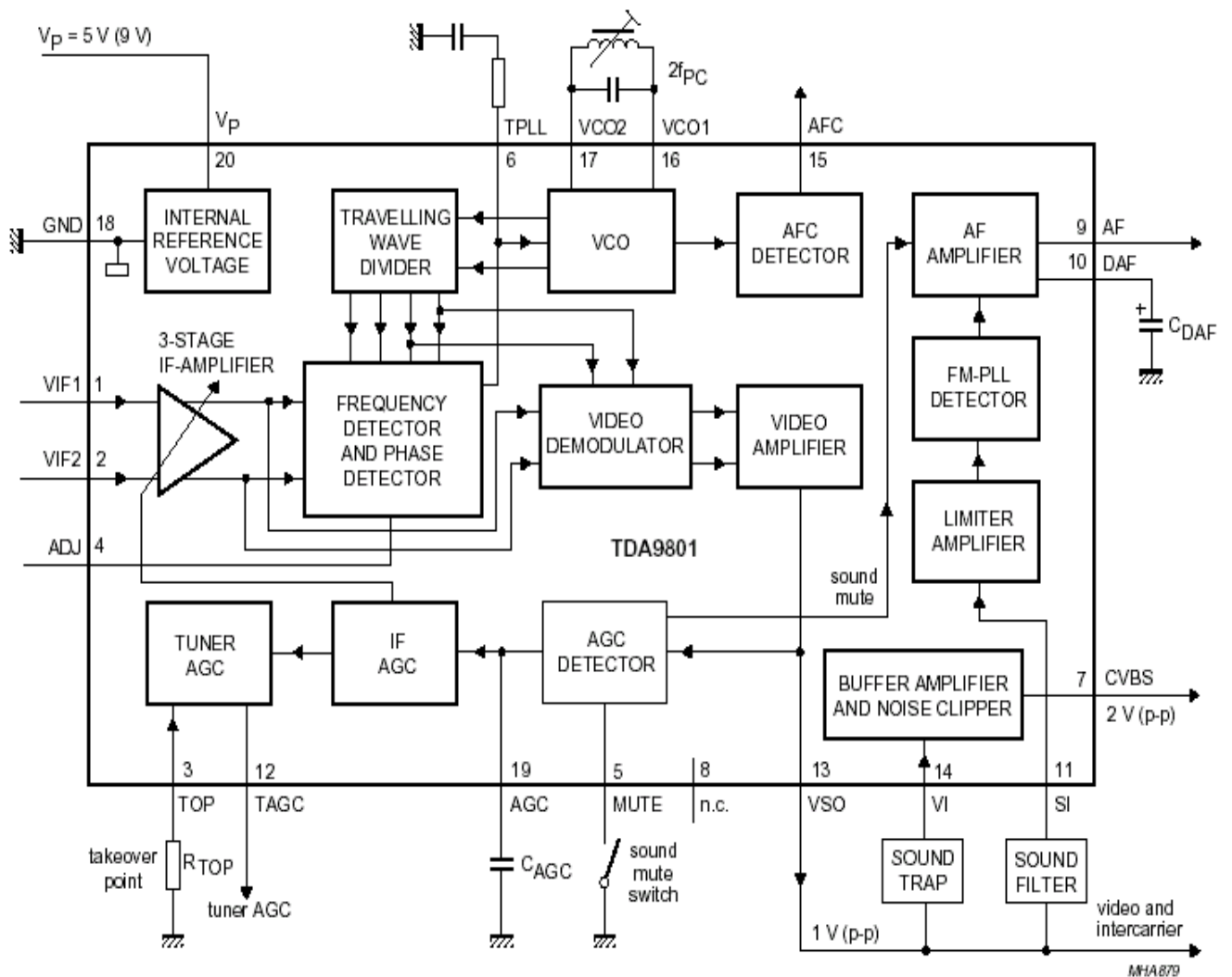
a 4.6V voltage source thru a 500Ω resistor. The discharge rate of the V_{CC} capacitor is given by I_{CC-latch} (device consumption during the LATCHED OFF phase) in addition to the current drawn out of the pin 3. Connecting a resistor between the Pin 3 and GND (R_{DPULSED}) a programmable current is drawn from the V_{CC} through pin 3. The duration of the LATCHED OFF phase is impacted by the presence of the resistor R_{DPULSED}. The equation 3 shows the relation to the pin 3 current.

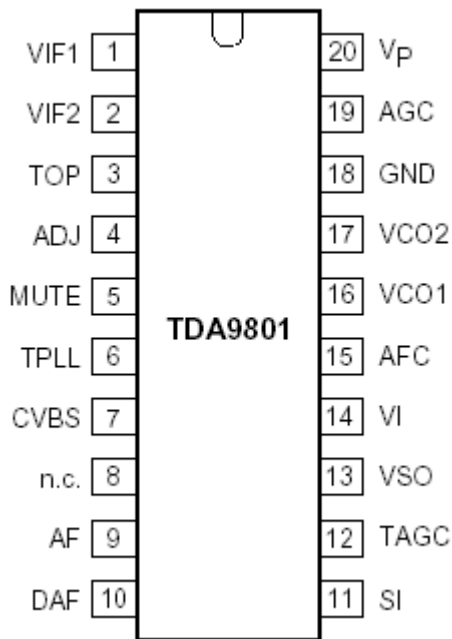
Pulsed Mode Phases

Equations 1 through 8 define and predict the effective behavior during the PULSED MODE operation. The equations 6, 7, and 8 contain K, Y, and D factors. These factors are combinations of measured parameters. They appear in the parameter section “K factors for pulsed mode operation” page 4. In equations 3 through 8 the pin 3 current is the current defined in the above section “Pulsed Mode Duty Cycle Control”.

2. TDA9801-Single standard VIF-PLL demodulator and FM-PLL detector

FUNCTIONAL DESCRIPTION





SYMBOL	PIN	DESCRIPTION
VIF1	1	VIF differential input 1
VIF2	2	VIF differential input 2
TOP	3	tuner AGC TakeOver Point (TOP) connection
ADJ	4	phase adjust connection
MUTE	5	sound mute switch connection
TPLL	6	PLL time constant connection
CVBS	7	CVBS (positive) video output
n.c.	8	not connected
AF	9	AF output
DAF	10	AF amplifier decoupling capacitor connection
SI	11	sound intercarrier input
TAGC	12	tuner AGC output
VSO	13	video and sound intercarrier output
VI	14	buffer amplifier video input
AFC	15	AFC output
VCO1	16	VCO1 reference circuit for 2fPC
VCO2	17	VCO2 reference circuit for 2fPC
GND	18	ground supply (0 V)
AGC	19	AGC detector capacitor connection
VP	20	supply voltage (+5 V)

Stage IF amplifier

The VIF amplifier consists of three AC-coupled differential amplifier stages. Each differential stage comprises a feedback network controlled by emitter degeneration.

AGC detector, IF AGC and tuner AGC

The automatic control voltage to maintain the video output signal at a constant level is generated in accordance with the transmission standard. Since the TDA9801 is suitable for negative modulation only the peak sync pulse level is detected.

The AGC detector charges and discharges capacitor C_{AGC} to set the IF amplifier and tuner gain. The voltage on capacitor C_{AGC} is transferred to an internal IF control signal, and is fed to the tuner AGC to generate the tuner AGC output current on pin TAGC (open-collector output). The tuner AGC takeover point level is set at pin TOP. This allows the tuner to be matched to the SAW filter in order to achieve the optimum IF input level.

Frequency detector and phase detector

The VIF amplifier output signal is fed into a frequency detector and into a phase detector. During acquisition the frequency detector produces a DC current proportional to the frequency difference between the input and the VCO signal. After frequency lock-in the phase detector produces a DC current proportional to the phase difference between the VCO and the input signal. The DC current of



either frequency detector or phase detector is converted into a DC voltage via the loop filter which controls the VCO frequency.

Video demodulator

The true synchronous video demodulator is realized by a linear multiplier which is designed for low distortion and wide bandwidth. The vision IF input signal is multiplied with the 'in phase' component of the VCO output. The demodulator output signal is fed via an integrated low-pass filter ($f_g = 12$ MHz) for suppression of the carrier harmonics to the video amplifier.

VCO, AFC detector and travelling wave divider

The VCO operates with a symmetrically connected reference LC circuit, operating at the double vision carrier frequency. Frequency control is performed by an internal variable capacitor diode.

The voltage to set the VCO frequency to the actual double vision carrier frequency is also amplified and converted for the AFC output current.

The VCO signal is divided-by-2 with a Travelling Wave Divider (TWD) which generates two differential output signals with a 90 degree phase difference independent of the frequency.

Video amplifier

The composite video amplifier is a wide bandwidth operational amplifier with internal feedback. A nominal positive video signal of 1 V (p-p) is present at pin VSO.

Buffer amplifier and noise clipper

The input impedance of the 7 dB wideband CVBS buffer amplifier (with internal feedback) is suitable for ceramic sound trap filters. Pin CVBS provides a positive video signal of 2 V (p-p). Noise clipping is provided internally.

Sound demodulation

LIMITER AMPLIFIER

The FM sound intercarrier signal is fed to pin SI and through a limiter amplifier before it is demodulated. The result is high sensitivity and AM suppression. The limiter amplifier consists of 7 stages which are internally AC-coupled in order to minimize the DC offset.

FM-PLL DETECTOR

The FM-PLL demodulator consists of an RC oscillator, loop filter and phase detector. The oscillator frequency is locked on the FM intercarrier signal from the limiter amplifier. As a result of this locking, the RC oscillator is frequency modulated. The modulating voltage (AF signal) is used to control the oscillator frequency. By this, the FM-PLL operates as an FM demodulator.

AF AMPLIFIER

The audio frequency amplifier with internal feedback is designed for high gain and high common-mode rejection. The low-level AF signal output from the FM-PLL demodulator is amplified and buffered in a low-ohmic audio output stage. An external decoupling capacitor CDAF removes the



DC voltage from the audio amplifier input.

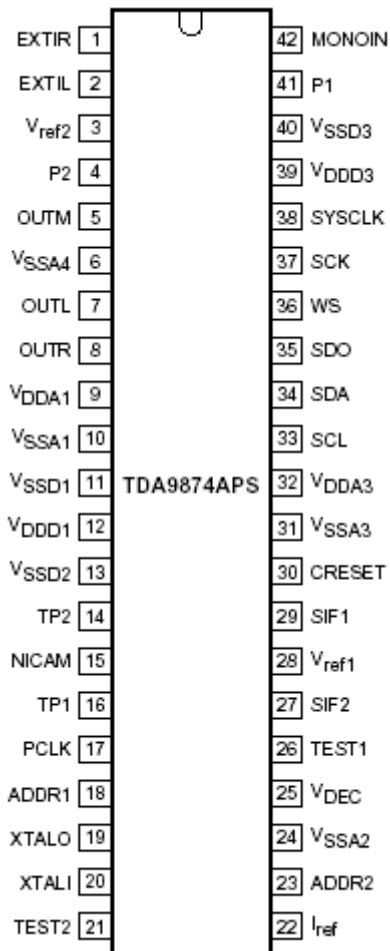
By using the sound mute switch (pin MUTE) the AF amplifier is set in the mute state.

3. TDA9874A Digital TV sound demodulator/decoder

SYMBOL	PIN	DESCRIPTION
EXTIR	1	external audio input right channel
EXTIL	2	external audio input left channel
Vref2	3	analog reference voltage for DAC and operational amplifiers
P2	4	second general purpose I/O pin
OUTM	5	analog output mono
VSSA4	6	analog ground supply 4 for analog back-end circuitry
OUTL	7	analog output left
OUTR	8	analog output right
VDDA1	9	analog supply voltage 1; back-end circuitry 5 V
VSSA1	10	analog ground supply 1; back-end circuitry
VSSD1	11	digital ground supply 1; core circuitry
VDDD1	12	digital supply voltage 1; core voltage regulator circuitry
VSSD2	13	digital ground supply 2; core circuitry
TP2	14	additional test pin 2; connected to VSSD for normal operation
NICAM	15	serial NICAM data output (at 728 kHz)
TP1	16	additional test pin 1; connected to VSSD for normal operation
PCLK	17	NICAM clock output (at 728 kHz)
ADDR1	18	first I ² C-bus slave address modifier input
XTALO	19	crystal oscillator output
XTALI	20	crystal oscillator input
TEST2	21	test pin 2; connected to VSSD for normal operation
Iref	22	resistor for reference current generation; front-end circuitry
ADDR2	23	second I ² C-bus slave address modifier input
VSSA2	24	analog ground supply 2; analog front-end circuitry
VDEC	25	analog front-end circuitry supply voltage decoupling
TEST1	26	test pin 1; connected to VSSD for normal operation
SIF2	27	sound IF input 2
Vref1	28	reference voltage; for analog front-end circuitry
SIF1	29	sound IF input 1
CRESET	30	capacitor for Power-on reset
VSSA3	31	digital ground supply 3; front-end circuitry
VDDA3	32	analog front-end circuitry regulator supply voltage 3 (5 V)
SCL	33	I ² C-bus serial clock input
SDA	34	I ² C-bus serial data input/output
SDO	35	I ² S-bus serial data output
WS	36	I ² S-bus word select input/output
SCK	37	I2S-bus clock input/output



SYSCCLK	38	system clock output
VDDD3	39	digital supply voltage 3; digital I/O pads
VSSD3	40	digital ground supply 3; digital I/O pads
P1	41	first general purpose I/O pin
MONOIN	42	analog mono input



FUNCTIONAL DESCRIPTION

Description of the demodulator and decoder section

1. SIF INPUTS

Two inputs are provided, pin SIF1 and pin SIF2. For higher SIF signal levels the SIF input can be attenuated with an internal switchable 10 dB resistor divider. As no specific filters are integrated, both inputs have the same specification giving flexibility in application. The selected signal is passed through an AGC circuit and then digitized by an 8-bit ADC operating at 24.576 MHz.

2. AGC

The gain of the AGC amplifier is controlled from the ADC output by means of a digital control loop employing hysteresis. The AGC has a fast attack behaviour to prevent ADC overloads, and a slow decay behaviour to prevent AGC oscillations. For AM demodulation the AGC must be switched off. When switched off, the control loop is reset and fixed gain settings can be chosen. The AGC can be controlled via the I²C-bus.

3. MIXER

The digitized input signal is fed to the mixers, which mix one or both input sound carriers down to zero IF. A 24-bit control word for each carrier sets the required frequency. Access to the mixer

control word registers is via the I²C-bus or via Easy Standard Programming (ESP). When receiving NICAM programs, a feedback signal is added to the control word of the second carrier mixer to establish a carrier-frequency loop.

4. FM AND AM DEMODULATION

An FM or AM input signal is fed through a switchable band-limiting filter into a demodulator that can be used for either FM or AM demodulation. Apart from the standard (fixed) de-emphasis characteristic, an adaptive de-emphasis is available for Wegener-Panda 1 encoded satellite programs.

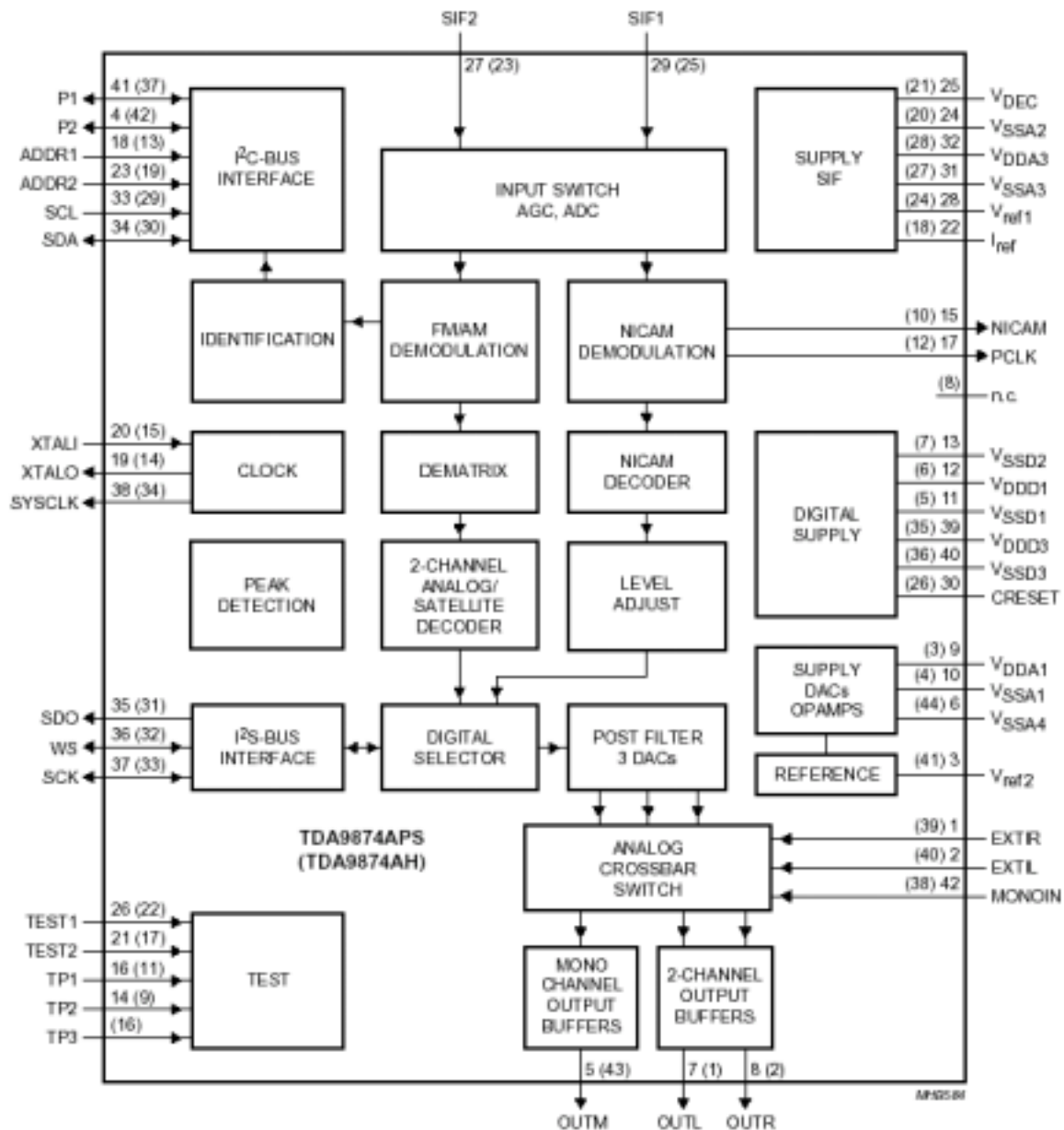
5. FM DECODING

A 2-carrier stereo decoder recovers the left and right signal channels from the demodulated sound carriers. Both the European and Korean stereo systems are supported.

Automatic FM dematrixing is also supported, which means that the FM sound mode identification



(mono, stereo or dual) switches the FM dematrix directly. No loop via the microcontroller is needed.

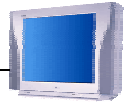


For highly overmodulated signals, a high deviation mode for monaural audio sound single carrier demodulation can be selected.

NICAM decoding is still possible in high deviation mode.

6. FM IDENTIFICATION

The identification of the FM sound mode is performed by AM synchronous demodulation of the pilot and narrow-band detection of the identification frequencies. The result is available via the I2C-bus interface. A selection can be made via the I2C-bus for B/G, D/K and M standards, and for three different time constants that represent different trade-offs between speed and reliability of identification. A pilot detector allows the control software to identify an analog 2-carrier (A2) transmission within approximately 0.1 s.



Automatic FM dematrixing, depending on the identification, is possible.

7. NICAM DEMODULATION

The NICAM signal is transmitted in a DQPSK code at a bit rate of 728 kbits/s. The NICAM demodulator performs DQPSK demodulation and passes the resulting bitstream and clock signal to the NICAM decoder and, for evaluation purposes, to various pins.

A timing loop controls the frequency of the crystal oscillator to lock the sampling instants to the symbol timing of the NICAM data.

8. NICAM DECODING

The device performs all decoding functions in accordance with the “EBU NICAM 728 specification”. After locking to the frame alignment word, the data is descrambled by applying the defined pseudo-random binary sequence. The device then synchronizes to the periodic frame flag bit C0.

The status of the NICAM decoder can be read out from the NICAM status register by the user. The OSB bit indicates that the decoder has locked to the NICAM data. The VDSP bit indicates that the decoder has locked to the NICAM data and that the data is valid sound data. The C4 bit indicates that the sound conveyed by the FM mono channel is identical to the sound conveyed by the NICAM channel.

The error byte contains the number of sound sample errors (resulting from parity checking) that occurred in the past 128 ms period. The Bit Error Rate (BER) can be calculated using the following equation:

$$\text{BER} = \text{bit errors} / \text{total bits} \approx \text{error byte} \times 1.74 \times 10^{-5}$$

9. NICAM AUTO-MUTE

This function is enabled by setting bit AMUTE to logic 0. Upper and lower error limits may be defined by writing appropriate values to two registers in the I²C-bus section. When the number of errors in a 128 ms period exceeds the upper error limit, the auto-mute function will switch the output sound from NICAM to whatever sound is on the first sound carrier (FM or AM) or to the analog mono input. When the error count is smaller than the lower error limit, the NICAM sound is restored.

The auto-mute function can be disabled by setting bit AMUTE to logic 1. In this case clicks become audible when the error count increases. The user will hear a signal of degrading quality.

If no NICAM sound is received, the outputs are switched from the NICAM channel to the 1st sound carrier.

A decision to enable or disable the auto-mute is taken by the microprocessor based on an interpretation of the application control bits C1, C2, C3 and C4, and possibly any additional strategy implemented by the user in the microcontroller software.

When the AM sound in NICAM L systems is demodulated in the 1st sound IF and the audio signal connected to the mono input of the TDA9874A, the controlling microprocessor has to ensure switching from NICAM reception to mono input, if auto-muting is desired. This can be achieved by



setting bit AMSEL = 1 and bit AMUTE = 0.

10. CRYSTAL OSCILLATOR

The digital controlled crystal oscillator (DCXO) is fully integrated. Only an external 24.576 MHz crystal is required.

11. TEST PINS

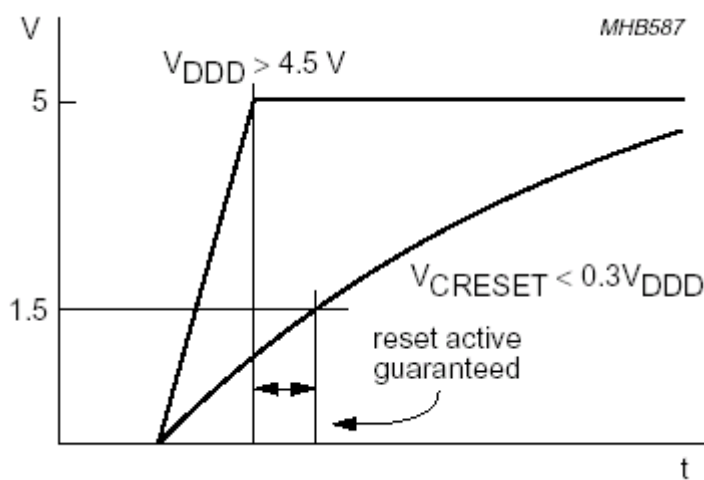
All test pins are active HIGH. In normal operation of the device they can be left open-circuit, as they have internal pull-down resistors. Test functions are for manufacturing tests only and are not available to customers.

12. POWER FAIL DETECTOR

The power fail detector monitors the internal power supply for the digital part of the device. If the supply has temporarily been lower than the specified lower limit, the power failure register bit PFR in subaddress 0, will be set to logic 1. Bit CLRPFR, slave register subaddress 1, resets the Power-on reset flip-flop to logic 0. If this is detected, an initialization of the TDA9874A has to be performed to ensure reliable operation.

13. POWER-ON RESET

The reset is active LOW. In order to perform a reset at power-up, a simple RC circuit may be used which consists of an integrated passive pull-up resistor and an external capacitor connected to ground. The pull-up resistor has a nominal value of 50 k Ω , which can easily be measured between pins CRESET and VDDD3. Before the supply voltage has reached a certain minimum level, the state of the circuit is completely undefined and remains in this undefined state until a reset is applied.



The reset is guaranteed to be active when:

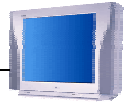
- The power supply is within the specified limits (4.5 to 5.5 V)
- The crystal oscillator (DCXO) is functioning

• The voltage at pin CRESET is below 0.3V_{DDD} (1.5 V if V_{DDD} = 5.0 V, typically below 1.8 V).

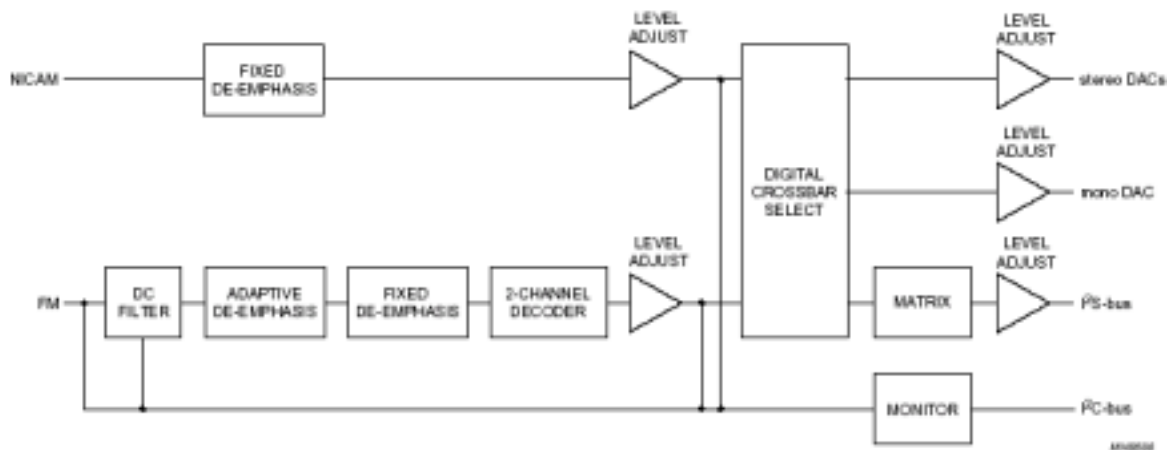
The required capacitor value depends on the gradient of the

rising power supply voltage. The time constant of the RC circuit should be clearly larger than the rise time of the power supply (to make sure that the reset condition is always satisfied), even when considering tolerance spreading. To avoid problems with a too slow discharging of the capacitor at power-down, it may be helpful to add a diode from pin CRESET to VDDD.

It should be noted that the internal ESD protection diode does not help here as it only conducts at higher voltages. Under difficult power supply conditions (e.g. very slow or non-monotonic ramp-up), it is recommended to drive the reset line from a microcontroller port or the like.



Description of the DSP



1. LEVEL SCALING

All input channels to the digital crossbar switch are equipped with a level adjustment facility to change the signal level in a range of 15 dB. Adjusting the signal level is intended to compensate for the different modulation parameters of the various TV standards. Under nominal conditions it is recommended to scale all input channels to be 15 dB below full-scale. This will create sufficient headroom to cope with overmodulation and avoids changes of the volume impression when switching from FM to NICAM or vice versa.

2. NICAM PATH

The NICAM path has a switchable J17 de-emphasis.

3. NICAM AUTO-MUTE

If NICAM is received, the auto-mute is enabled and the signal quality becomes poor. The digital crossbar switches automatically to FM, channel 1 or the analog mono input, as selected by bit AMSEL. This automatic switching depends on the NICAM bit error rate. The auto-mute function can be disabled via the I²C-bus.

4. FM (AM) PATH

A high-pass filter suppresses DC offsets from the FM demodulator that may occur due to carrier frequency offsets, and supplies the FM monitor function with DC values, e.g. for the purpose of microprocessor controlled carrier search or fine tuning functions.

An adaptive de-emphasis is available for Wegener-Panda 1 encoded satellite programs.

The de-emphasis stage offers a choice of settings for the supported TV standards.

The 2-channel decoder performs the dematrixing of $\frac{1}{2}(L + R)$, R to L and R signals of $\frac{1}{2}(L + R)$ and $\frac{1}{2}(L - R)$ to L and R signals or of channel 1 and channel 2 to L and R signals, as demanded by the different TV standards or user preferences.

Automatic FM dematrixing is also supported.



Using the high deviation mode, only channel 1 (mono) can be demodulated. The scaling is ~ 6 dB compared to 2-channel decoding.

5. MONITOR

This function provides data words from the FM demodulator outputs and FM and NICAM signals for external use, such as carrier search or fine tuning. The peak level of these signals can also be observed. Source selection and data read out are performed via the I²C-bus.

6. DIGITAL CROSSBAR SWITCH

The input channels are derived from the FM and NICAM paths, while the output channels comprise I²S-bus and the audio DACs to the analog crossbar switch. It should be noted that there is no connection from the external analog audio inputs to the digital crossbar switch.

7. DIGITAL AUDIO OUTPUT

The digital audio output interface comprises an I²S-bus output port and a system clock output. The I²S-bus port is equipped with a level adjustment facility that can change the signal level in a ~ 15 dB range in 1 dB steps. Muting is possible, too, and outputs can be disabled to improve EMC performance.

The I²S-bus output matrix provides the functions for forced mono, stereo, channel swap, channel 1 or channel 2.

Automatic selection for TV applications is possible. In this case the microcontroller program only has to provide a user controlled sound A or sound B selection.

8. STEREO CHANNEL TO THE ANALOG CROSSBAR PATH

A level adjustment function is provided with control positions of 0 dB, +3 dB, +6 dB and +9 dB in combination with the audio DACs. The Automatic Volume Level (AVL) function provides a constant output level of ~ 20 dB (full-scale) for input levels between 0 dB (full-scale) and ~ 26 dB (full-scale). There are some fixed decay time constants to choose from, i.e. 2, 4 or 8 seconds.

Automatic selection for TV applications is possible. In this case the microcontroller program only has to provide a user controlled sound A or sound B selection.

9. GENERAL

The level adjustment functions can provide signal gain at multiple locations. Great care has to be taken when using gain with large input signals, e.g., due to overmodulation, in order not to exceed the maximum possible signal swing, which would cause severe signal distortion. The nominal signal level of the various signal sources to the digital crossbar switch should be 15 dB below digital full-scale (~ 15 dB full-scale).

Description of the analog audio section

1. ANALOG CROSSBAR SWITCH AND ANALOG MATRIX

The TDA9874A has one external analog stereo input, one mono input, one 2-channel and one single-channel output port. Analog source selector switches are employed to provide the desired



analog signal routing capability, which is done by the analog crossbar switch section.

The basic signal routing philosophy of the TDA9874A is that each switch handles two signal channels at the same time (e.g. left and right, language A and B) directly at the source.

Each source selector switch is followed by an analog matrix to perform further selection tasks, such as putting a signal from one input channel, say language A, to both output channels or for swapping left and right channels. The analog matrix provides the functions given in the follow table. Automatic matrixing for TV applications is also supported.

All switches and matrices are controlled via the I²C-bus.

Analog matrix functions

MODE	MATRIX OUTPUT	
	L OUTPUT	R OUTPUT
1	L input	R input
2	R input	L input
3	L input	L input
4	R input	R input

2. EXTERNAL AND MONO INPUTS

The external and mono inputs accept signal levels of up to 1.4 V (RMS). By adding external series resistors to provide suitable attenuation, the external input could be used as a SCART input. Whenever the external or mono input is selected, the output of the DAC is muted to improve the crosstalk performance.

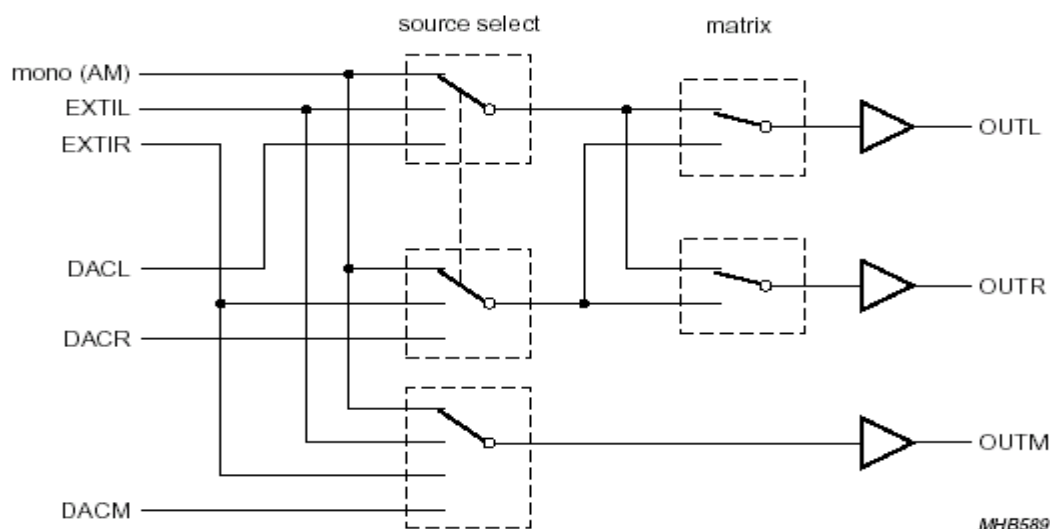
3. AUDIO DACS

The TDA9874A comprises a 2-channel audio DAC and an additional single-channel audio DAC for feeding signals from the DSP section to the analog crossbar switch. These DACs have a resolution of 15 bits and employ four-times oversampling and noise shaping.

4. AUDIO OUTPUT BUFFERS

The output buffers provide a gain of 0 dB and offer a muting possibility. The post filter capacitors of the audio DACs are connected to the buffer outputs.

5. STANDBY MODE



MHB589

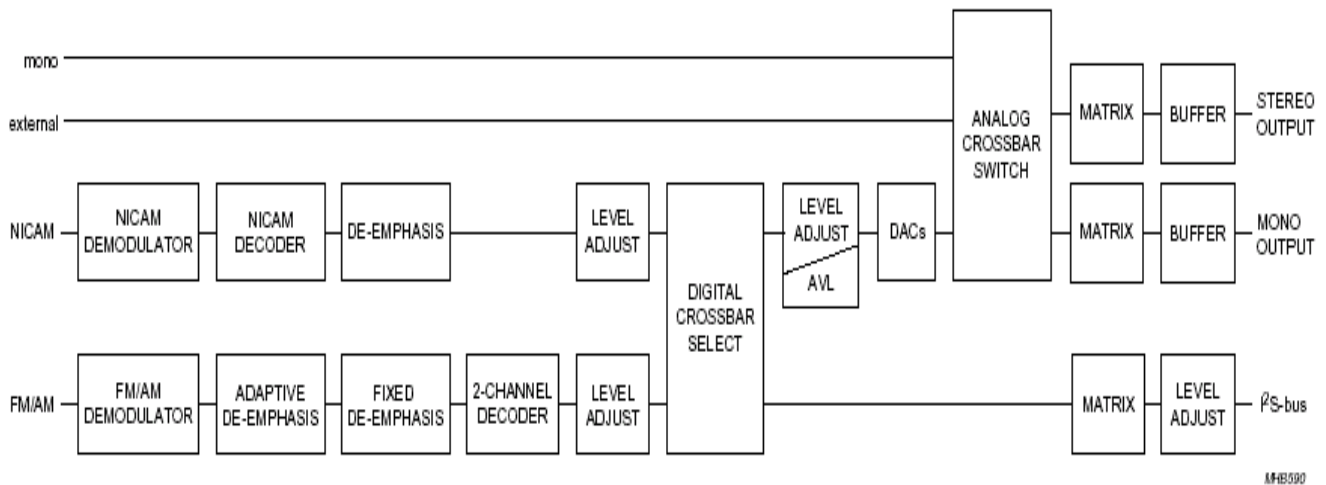
Switch diagram for the analog audio section

The standby mode disables most functions and reduces power dissipation of the TDA9874A. It



provides no other function.

Internal registers may lose their information in standby mode. Therefore, the device needs to be initialized on returning to normal operation. This can be accomplished in the same way as after a Power-on reset.

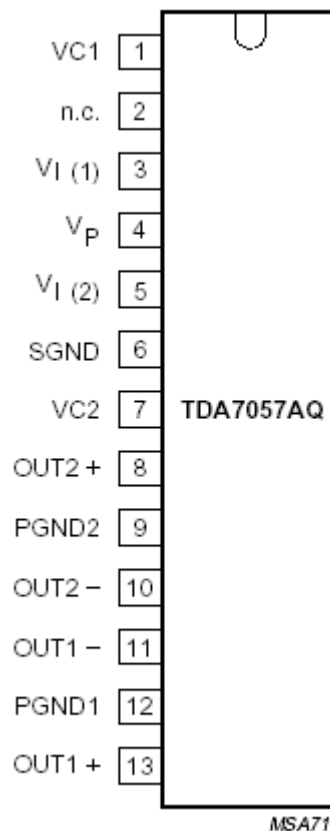


Audio signal flow.

4. TDA7057AQ 2×8 W stereo BTL audio output amplifier with DC volume control

Pinning

SYMBOL	PIN	DESCRIPTION
VC1	1	DC volume control 1
n.c.	2	not connected
V _I (1)	3	voltage input 1
V _P	4	positive supply voltage
V _I (2)	5	voltage input 2
SGND	6	signal ground
VC2	7	DC volume control 2
OUT2+	8	positive output 2
PGND2	9	power ground 2
OUT2 ⁻	10	negative output 2
OUT1 ⁻	11	negative output 1
PGND1	12	power ground 1
OUT1 ⁺	13	positive output 1

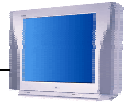


FUNCTIONAL DESCRIPTION

The TDA7057AQ is a stereo output amplifier with two DC volume control stages. The device is designed for TVs and monitors, but is also suitable for battery-fed portable recorders and radios.

In conventional DC volume control circuits the control or input stage is AC-coupled to the output stage via external capacitors to keep the offset voltage low.

In the TDA7057AQ the two DC volume control stages are integrated into the input stages so that no



coupling capacitors are required and a low offset voltage is still maintained. The minimum supply voltage also remains low.

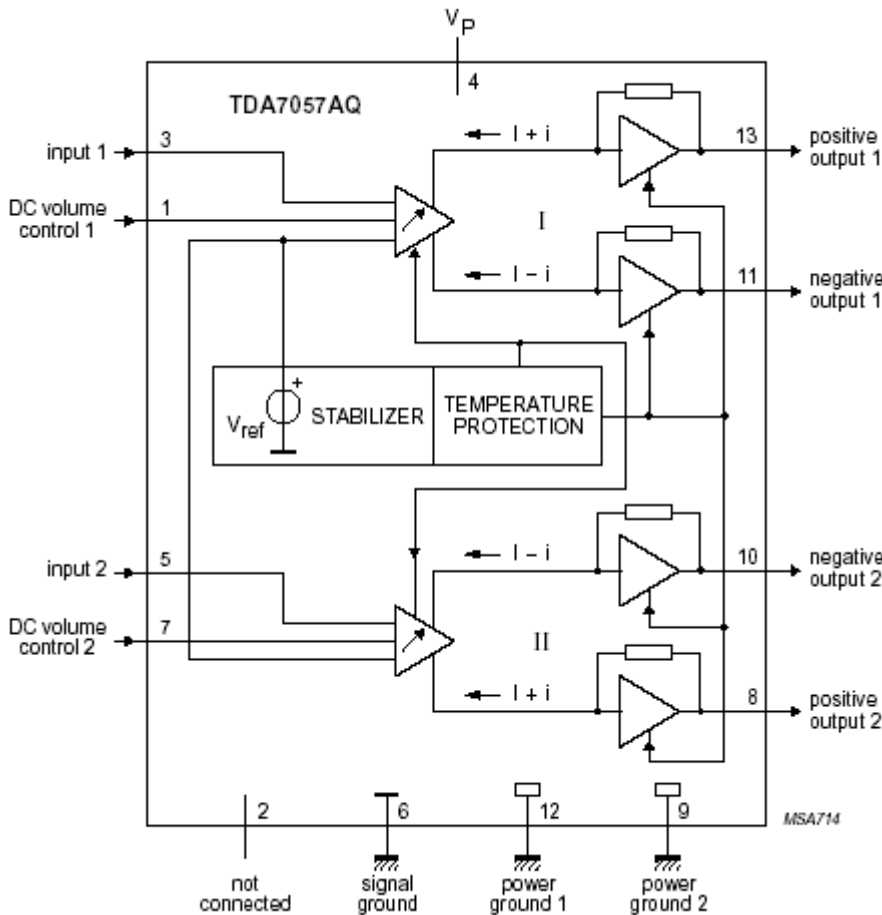
The BTL principle offers the following advantages:

- . Lower peak value of the supply current
- . The frequency of the ripple on the supply voltage is twice the signal frequency.

Consequently, a reduced power supply with smaller capacitors can be used which results in cost reductions.

For portable applications there is a trend to decrease the supply voltage, resulting in a reduction of output power at conventional output stages. Using the BTL principle increases the output power.

The maximum gain of the amplifier is fixed at 40.5 dB. The DC volume control stages have a logarithmic control characteristic. Therefore, the total gain can be controlled from +40.5 dB to $\tilde{33}$ dB. If the DC volume control voltage falls below 0.4 V, the device will switch to the mute mode.



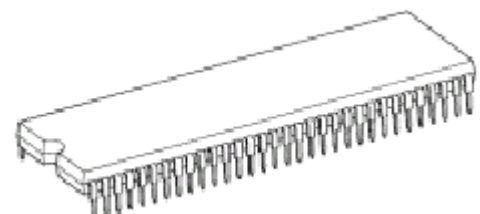
The amplifier is a short-circuit protected to ground, VP and across the load. A thermal protection circuit is also implemented. If the crystal temperature rises above +150 °C the gain will be reduced, thereby reducing the output power.

Special attention is given to switch-on and switch-off clicks, low HF radiation and a good overall stability.

Block diagram.

5. TMPA8803CSN

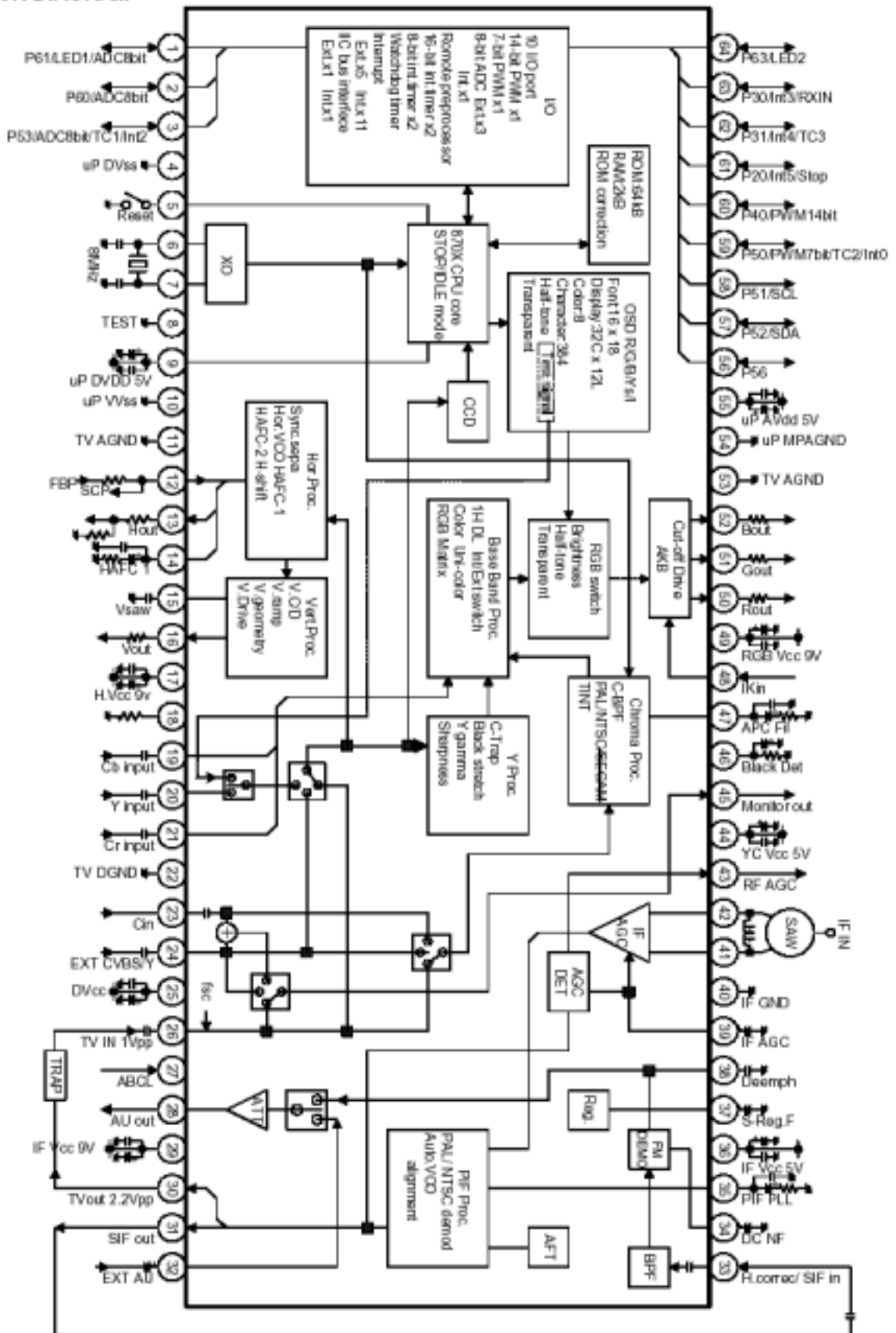
The TMPA8803CSN is an integrated circuit for a PAL/NTSC TV. It consists of two pieces of IC chip in one package, using Multi-Chip-Package (MCP) technology. One is a micro

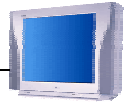




controller (MCU) and the other one is a signal processor (SP) for a color TV. The TV signal processor contains PIF, SIF, Video, multi-standard chroma, Sync, RGB processors.

BLOCK DIAGRAM



**PINNING**

SYMBOL	PIN	DESCRIPTION	SYMBOL	PIN	DESCRIPTION
BAND2	1	Band selector	SIF in	33	Input terminal for H correction and 2nd SIF.
TV/AV	2	TV/AV switch	DC NF	34	Terminal to be connected capacitor for DC Negative Feedback from SIF Det output.
KEY	3	Panel key input	PIF PLL	35	Terminal to be connected with loop filter for PIF PLL. This terminal voltage is controlled PIF VCO frequency.
GND	4	GND	IF vcc(5V)	36	Vcc terminal for IF circuit. Supply 5V.
RESET	5	System clock reset output	S-reg	37	Terminal to be connected capacitor for stabilizing internal bias.
X-TAL	6	X'tal connecting pins	Deepmph	38	Terminal to be connected capacitor for SIF Det De-Emphasis.
X-TAL	7		IF AGC	39	Terminal to be connected with IF AGC filter.
TEST	8	Test pin for out-going test. Be tied to low.	IF GND	40	GND terminal for IF circuit.
5V	9	Vdd Supply 5V	IF in	41	Input terminals for IF signals. Pin41 and Pin42 are both input poles of differential amplifier.
GND	10	GND for Slicer circuit	IF in	42	
GND	11	GND terminal for Analog block.	RF AGC	43	Output terminal for RF AGC control level.
FBP in /SCP out	12	Input terminal for FBP.	Y/C 5V	44	Vcc terminal for Y/C circuit. Supply 5V.
H out	13	Output terminal for Horizontal driving pulse.	AV out	45	Output terminal for CVBS or Y signal selected by BUS (Video SW).
H-AFC	14	Terminal to be connected capacitor for H AFC filter. This terminal voltage controls H VCO frequency.	BLACK DET	46	Terminal to be connected with Black Det filter for black stretch.
V saw	15	Terminal to be connected capacitor to generate V saw signal. V saw amplitude is kept constant by V AGC function.	APC FIL	47	Terminal to be connected with APC filter for Chroma demodulation. This terminal voltage controls frequency of VCXO
V out	16	Output terminal for Vertical driving pulse.	IK in	48	Input terminal to sense ACB cathode current.
H vcc	17	Vcc terminal for DEF circuit. Supply 9V.	RGB 9V	49	Vcc terminal for RGB circuit. Supply 9V.
N.C.	18	N.C.	R out	50	Output terminals for R /G/B signal.
Cb	19	Input terminal for Cb signal.	G out	51	



Y in	20	Input terminal for Y signal.	B out	52	
Cr	21	Input terminal for Cr signal.	GND	53	GND terminal for Analog block.
TV-GND	22	GND terminal for Digital block.	GND	54	GND for Oscillator circuit
C in	23	Input terminal for Chroma signal.	5V	55	Vdd for Oscillator circuit Supply 5V
EXT in	24	Input terminal for Video signal.	50/60	56	PAL/NTSC selector
DIG 5V	25	Vcc terminal for Digital block. This terminal voltage is clipped about 3.3V by regulator circuit.	SDA	57	I ² C bus serial data input /output
TV in	26	Input terminal for Video signal.	SCL	58	I ² C bus serial clock input /output
ABCL in	27	Input terminal for ABL/ACL control.	VOL	59	Volume control signal output
Audio out	28	Output terminal for Audio signal.	VT	60	Tune voltage controller
IF vcc(9V)	29	Vcc terminal for IF circuit. Supply 9V.	BAND1	61	Band selector
TV out	30	Output terminal for detected PIF signal.	TV sync	62	Sync signal input
SIF out	31	Output terminal for detected SIF signal.	RMT in	63	Remote control signal preprocessor input
EXT audio	32	Input terminal for External Audio signal.	POWER	64	LED output

SIGNAL PROCESSOR DESCRIPTIONS

1. Tank-coil-less PIF VCO

TMPA8803 adopts a tank-coil-less PIF VCO circuit, which has advantages of cost, performance of weak IF input and easy to design PCB layout. The PIF PLL system has self-alignment circuit, so that the micro controller needs only to order the PIF PLL system to start self-alignment through the IIC bus. The self-alignment finishes within 50 msec.

2. Built-in Sound Band Pass Filter

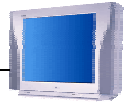
A sound band pass filter is integrated on the chip for multi frequency SIF systems. The 1st SIF demodulator multiplies PIF input signal and regenerated PIF carrier from VCO with 90-degree angle, and gets multi-frequency SIF signal as 6.5MHz, 6.0MHz, 5.5MHz and 4.5MHz according to the SIF system. A frequency converter converts one of those four SIF signals into 1 MHz-SIF signal by selecting the converting frequency through the IIC bus. The built-in sound BPF rejects undesired frequency components of 1MHz-SIF signal. A narrow-band 1 MHz PLL FM demodulator with no external tank-coil achieves to output sound signal with better S/N ratio.

3. AFT

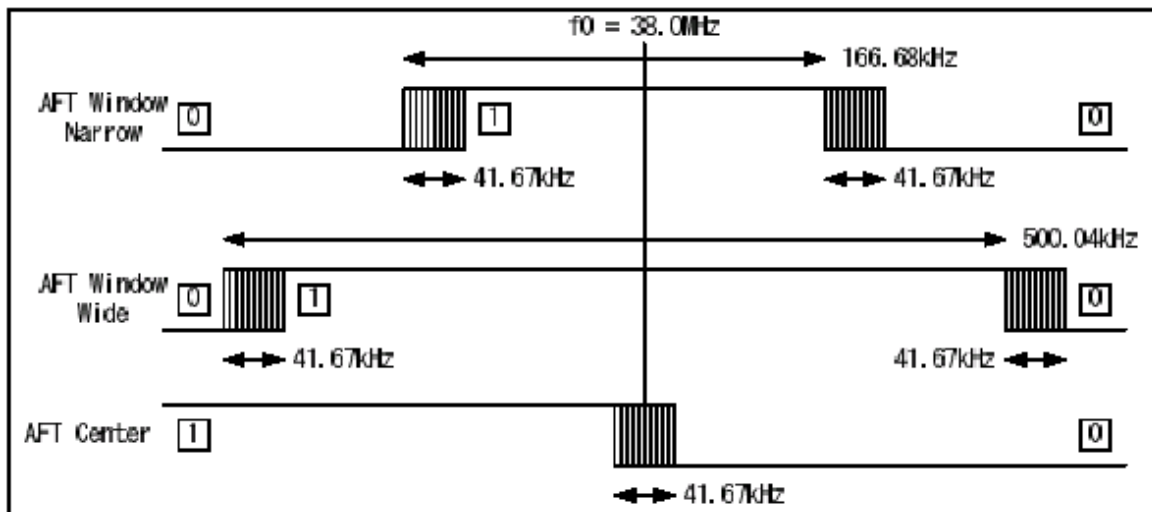
A recent IF system adopts a digital AFT circuit. But analog DC voltage is used as interface between an IF system and a micro controller in the AFT control loop. TMPA8803 adopts a digital interface through IIC bus shown as below.

4. Non-standard IF signals

TMPA8803 prepares ways for non-standard IF inputs. The OVER MOD switch is available for over-modulated PIF signals in the condition of more than 87.5% modulation at 100 IRE, which is the maximum modulation Standard of PAL and NTSC. In addition, TMPA8803 has capability to



modulate more than 400% over-modulated SIF signal without undesired voltage turning over also.



5. AV switch

The audio switch has one input for an external audio, and another for internal demodulated audio signal. The switched audio signal goes into the audio attenuator, which has controllability of audio gain from 0 dB to -80dB or less with near log curve characteristic.

The video switch has one input for an external CVBS or S-VHS signal, the other for the demodulated TV video signal and the last for an external YCbCr signal, mainly coming from a DVD player. The Cin terminal for the external S-VHS signal has capability to detect DC level of the input signal, and the micro controller can read the result as 'Cin DC' through the IIC bus. This function may prepare a way for automatic switching, when inserting S-VHS connection, by means of software control.

A monitor output is available with the selected video signal. In the case of selecting S-VHS input, Y and C signals are mixed for the monitor output. This output is useful for signal detecting by the TC3 counting of the micro controller through an external LPF circuit for strict signal detecting performance.

6. Asymmetric Sharpness

External analog circuits are likely to generate 'over-shoot' signal. The asymmetric sharpness circuit is provided to compensate this undesired signal. It is possible to get more gain of pre-shoot than over-shoot by using the asymmetric sharpness, instead of that a conventional sharpness function generates both pre-shoot and over-shoot symmetrically.

7. Scan Velocity Modulation (SVM)

The SVM output is available for a large screen size TV. The SVM or the monitor output is selectable at pin45 through the IIC bus. The SVM gain and timing is also selectable to match an external SVM drive circuit.

8. Chroma demodulator

The multi-color chroma demodulator is integrated with the automatic color system detection. The 1H-delay line is integrated on the chip for PAL chroma demodulation. The 1H-delay line can act as a



chroma comb filter on NTSC chroma system.

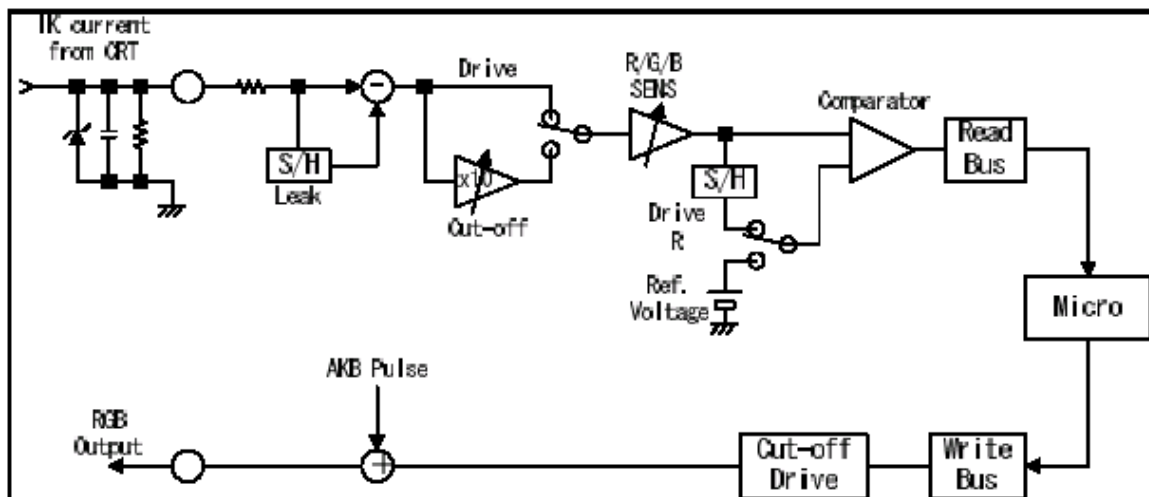
9. Base Band Color System

TMPA8803 features a base band color system for a YCbCr inputs capability for a DVD and a SDTV signals. Those signals are demodulated out side of TMPA8803, so that color signals (Cb, Cr) has different color level, different demodulation angle and different relative amplitude from the color signals demodulated by the internal chroma demodulator of TMPA8803. The base band color system is required to have control functions of color saturation, TINT and relative amplitude, and TMPA8803 has all of these functions in it. Because of base band TINT function, TMPA8803 has capability to control PAL TINT, which is basically hard to control on a conventional signal processor IC. Of course the control software can inhibit the PAL TINT function.

YCbCr inputs are also available for PIP operation with Ys input at pin18. In case of no PIP application, connecting the pin18 to GND via a 10k-ohm resistor is recommended.

10. AKB (Auto-Kine-Bias) system

TMPA8803 provides AKB capability with the software control, for automatic dark and bright level control at the manufacture's factory. TMPA8803 includes circuits below as hardware on the chip.



- (1) AKB reference pulse generator
- (2) IK feedback input
- (3) comparaters to check feedback level
- (4) read bus to know the result of comparison

The software can achieve AKB functionality by

- (5) analyzing the comparison result
- (6) controlling cutoff and drive through the IIC bus.

11. Transparent OSD interface

TMPA8803 provides a transparent OSD capability. A conventional OSD system provides a half-tone function for OSD interface, by reducing the gain of a main picture signal during high period of 'Ym' signal from the micro controller. TMPA8803 has one more control line as 'I' for OSD from the micro



controller, which enables to put a color on the same area of half-tone, so that software can achieve a see-through color menu by using the transparent OSD.

12. Noise Level Detection

The Noise level detector is integrated. The result can be read through the IIC bus. According to the result, the micro controller can adjust level of some controls in the signal processor. For example,

(1)When a noisy signal comes in, horizontal synchronization is influenced and the picture on the screen looks bad. Selecting less H-AFC gain makes the picture looks better.

(2)When a noisy signal comes in, SECAM system causes very strong color noise. Reducing color saturation level makes noisy impression better.

(3)When a very noisy signal comes in, the vertical frequency detector sometimes makes miss-detection, and causes vertical jittering. Selecting the auto-50Hz mode or auto-60Hz mode, according to the vertical frequency information just before, may solves the vertical jittering.

13. Signal Detection Flags

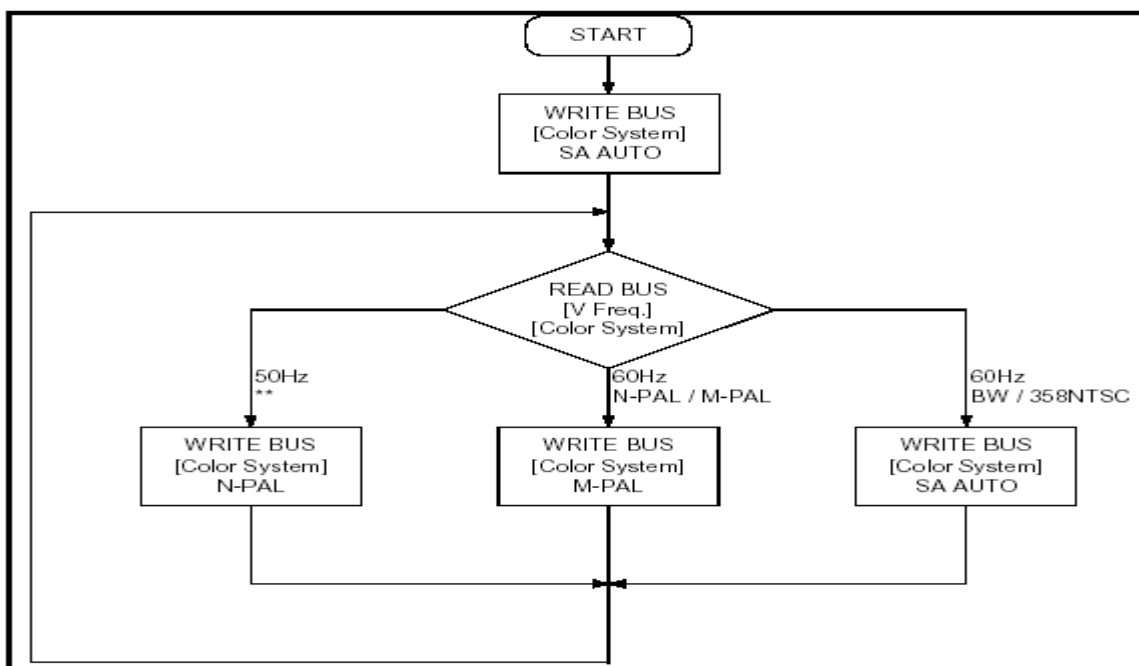
There are some flags on the READ BUS registers. They indicate that a certain signal is detected at the moment. But reliability of a detection result is not so accurate if checking only one flag, so that confirming several flags, which means similar result by each other, at the same time is recommended.

14. Control the Signal Processor

The signal processor is connected with the micro controller by means of internal wiring. All functions of the signal processor can be controlled through IIC bus, which is a part of the internal connections.

15. Color system: Automatic mode for Southern-America

The Automatic color identification system for “SA AUTO” mode may not work well. In order to make sure automatic color system identification in South America are, design the control software with following algorithm.



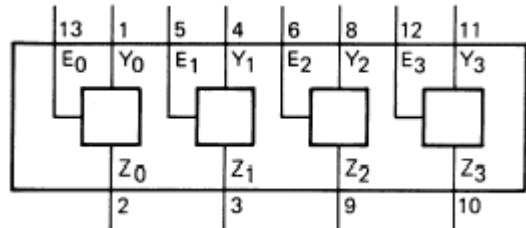
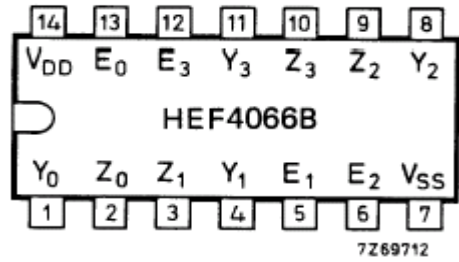


6. HEF4066BP-Quadruple bilateral switches

DESCRIPTION

The HEF4066BP has four independent bilateral analogue switches. Each switch has two input/output terminals (Y/Z) and an active HIGH enable input. When the enable input is HIGH a low impedance bidirectional path between Y and Z is established. When the enable input is connected to VSS the switch is disabled and a high impedance condition exists.

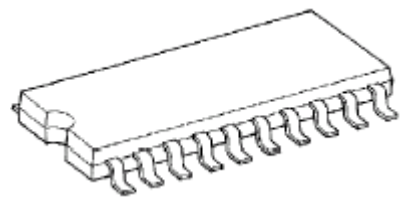
The HEF4066BP is pin compatible with the HEF4016B but exhibits a much lower ON resistance. In addition the ON resistance is relatively constant over the full input signal range.



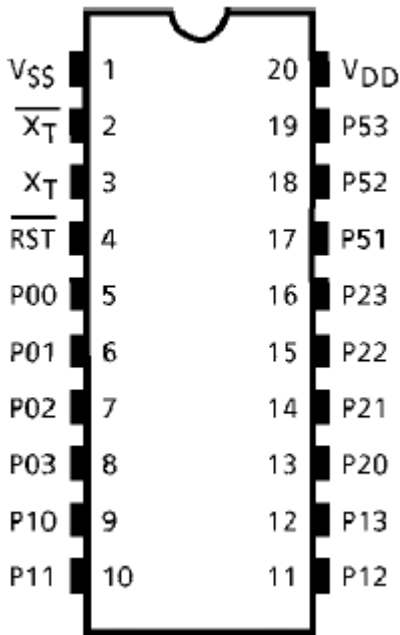
Functional diagram
E0 to E3 enable inputs

7. TC9028F-INFRA-RED REMOTE CONTROL TRANSMITTING CHIP

TC9028F is CMOS LSI for Infrared Remote Control Transmitting suitable for Remote Controlling TV, VCR, Video Disk, CD-Player etc. Using a 4bit Microcontroller, various transmittings are structured by a programming.



PIN CONNECTION (TOP VIEW)

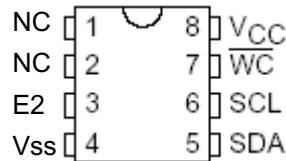
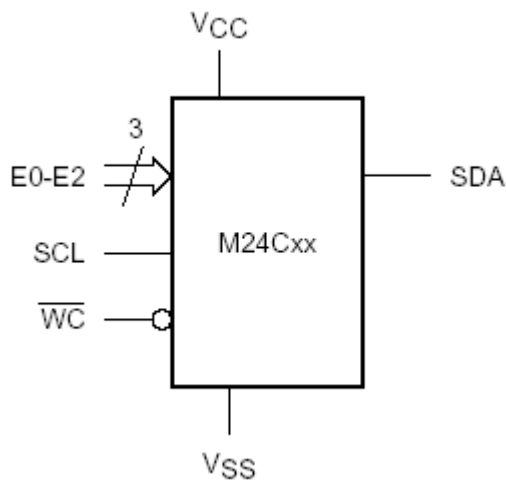


PIN NAME	PIN	DESCRIPTION
Power Supply	1	VDD=+.0~+.0V, 3V (Typ.)
	20	
Output for Osc.	2	Resonator connecting pins. Connects ceramic resonator with capacitor. Built-in feedback resistance.
Input for Osc.	3	
Reset Input	4	RST for going reset. Be held to "L" (≥ 3 instruction cycles)
Input Port PO	5~8	4bit input port. Built-in pulldown resistance.
I/O Port P1	9~12	
I/O Port P2	13~16	4bit I/O ports with latch. Built-in pulldown resistance.
Output Port P51	17	
Output Port P52	18	High current output port. For driving indication LED.
Output Port P53	19	High current output port. For driving infrared LED.

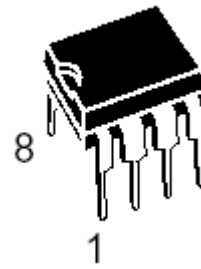


8. M24C08-8Kbit Serial I²C Bus EEPROM

Logic Diagram



Pin Connections



Signal Names

E2	Chip Enable Inputs
SDA	Serial Data/Address Input/Output
SCL	Serial Clock
WC	Write Control
Vcc	Supply Voltage
Vss	Ground

SIGNAL DESCRIPTION

Serial Clock (SCL)

The SCL input pin is used to strobe all data in and out of the memory. In applications where this line is used by slaves to synchronize the bus to a slower clock, the master must have an open drain output, and a pull-up resistor must be connected from the SCL line to VCC. In most applications, though, this method of synchronization is not employed, and so the pull-up resistor is not necessary, provided that the master has a push-pull (rather than open drain) output.

Serial Data (SDA)

The SDA pin is bi-directional, and is used to transfer data in or out of the memory. It is an open drain output that may be wire-OR'ed with other open drain or open collector signals on the bus. A pull up resistor must be connected from the SDA bus to VCC.

Chip Enable (E2)

These chip enable inputs are used to set the value that is to be looked for on the three least significant bits (b3, b2, b1) of the 7-bit device select code. These inputs may be driven dynamically or tied to VCC or VSS to establish the device select code.

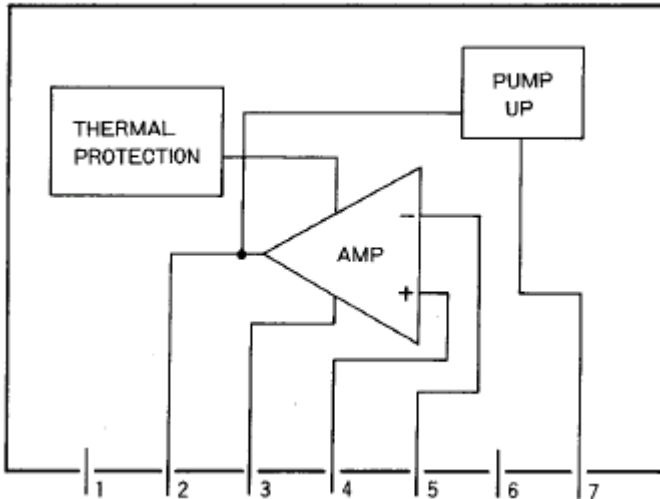
Write Control (\overline{WC})

The hardware Write Control pin (\overline{WC}) is useful for protecting the entire contents of the memory from inadvertent erase/write. The Write Control signal is used to enable ($\overline{WC} = \text{VIL}$) or disable ($\overline{WC} = \text{VIH}$) write instructions to the entire memory area. When unconnected, the \overline{WC} input is internally read as VIL, and write operations are allowed.



When $\overline{WC}=1$, Device Select and Address bytes are acknowledged, Data bytes are not acknowledged.

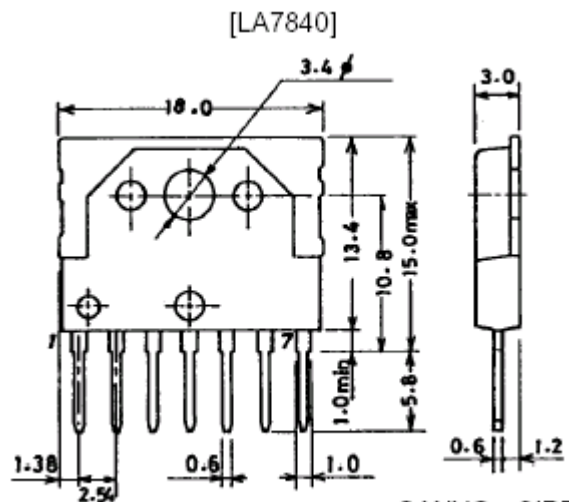
9. LA7840 -Vertical Deflection Output Circuit



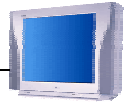
The LA7840 is a vertical deflection output IC for TVs and CRT displays with excellent image quality that use a BUS control system signal processing IC. This IC can drive the direct (even including a DC component) deflection yoke with the sawtooth wave output from the BUS control system signal processing IC. Because the maximum deflection current is 1.8 Ap-p, the LA7840 is suited for small and medium screen sets.

Pin Name

1. GND
2. Ver OUTPUT
3. OUTPUT STAGE Vcc
4. NON INV.INPUT
5. INVERTING INPUT
6. Vcc
7. PUMP UP OUT

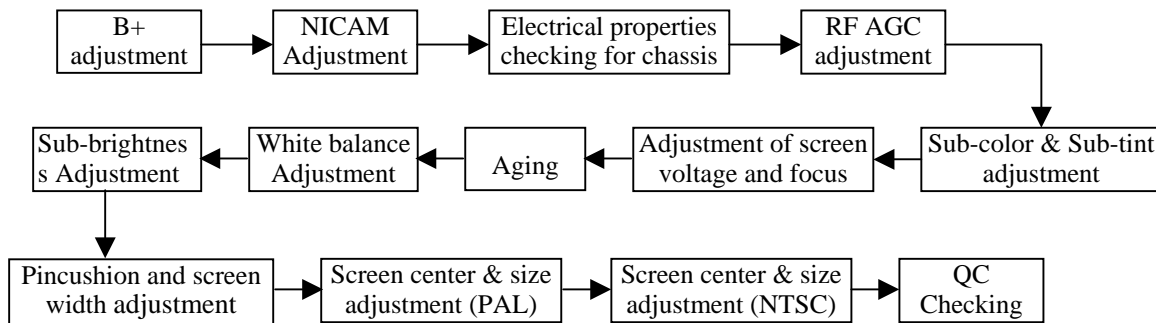


SANYO : SIP7H



PART V. Adjusting Description

Flowchart chart of alignment procedure for M28 chassis:



ALIGNMENT PROCEDURE FOR M28 CHASSIS:

I) Adjustment of +B Voltage

1. Apply 110-240VAC (±5V) to mains power input, and Philips standard testing pattern to RF input.
2. Adjust VR830 in STANDARD mode until voltage at (B+) is 112V ±0.25V.

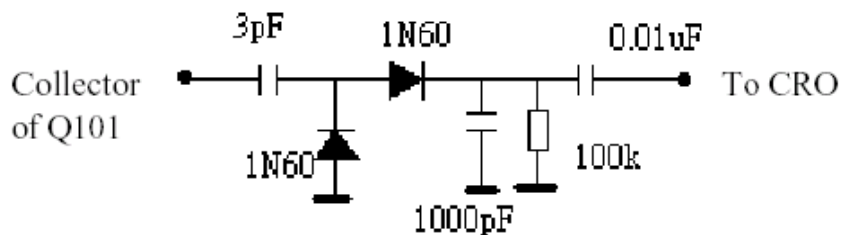
II) NICAM Adjustment (for NICAM model only)

1. Apply a 38.9MHz color bar with NICAM signal to the IF input.
2. Monitor the DC voltage at pin 15 of IC1101.
3. Adjust T1101 until the voltage at pin 15 of IC1101 becomes 2.5 ±0.1V.
4. Then check the waveform at pin 4 and 6 of P1103 and it must show correct audio signal.

III) The alignment of RFAGC (choose A or B)

A)

1. Connect the detector shown below to collector of Q101.
2. Receive a grey scale signal with 70dB ±V amplitude.
3. Adjust RFAGC item until the output of the detector becomes 0.8Vpp



B)

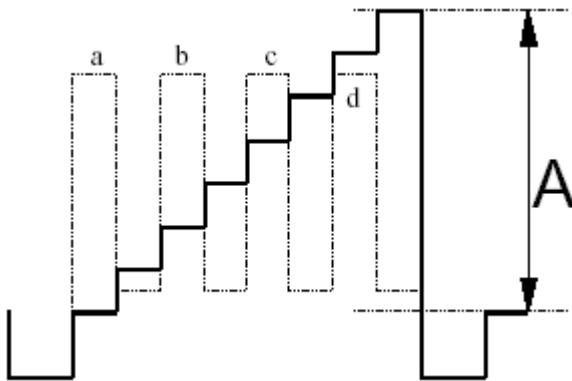
1. Receive a grey scale signal with 60dB ±V amplitude.
2. Adjust RFAGC data until the noise of the picture just disappear.

IV) Adjustment of Sub-contrast, Sub-tint and Sub-colour for NSTC and PAL signal.

1. Enter D-mode, and connect the probe of Oscilloscope to the conjunction between R201 and P201 (B-out).



2. Apply the Grey-scale/Colour-bar (NTSC signal) to the AV input, in STANDARD status.
3. Select CNTC to adjust the sub-contrast, until that the amplitude “A” is 2.2VP-P as shown below.
4. Select COLC to adjust the sub-colour by tuning the amplitude of “a” and “d” to the same.
5. Select TNTC to adjust the sub-tint by tuning the amplitude of “b” and “c” to the same.
6. Apply the Grey-scale/Colour-bar (PAL signal) to the AV input, in STANDARD status.
7. Select COLP to adjust the sub-colour by tuning the amplitude of “a”, “b”, “c” and “d” to the same.



V) Adjustment of Focus, Screen Voltage and Sub-brightness

1. Receive a crosshatch pattern.
2. Adjust the “FOCUS” VR on the flyback to make the picture clear.
3. Enter D-mode and press “MUTE” key and the screen will become a horizontal line. Then adjust the “SCREEN” VR on the flyback transformer to set the intensity of the line to a minimum visible level (the line can just be seen).
4. Press “MUTE” key again and the TV will become full raster.
5. Select BRTC to adjust the sub-brightness, until that the 2nd dark bar of 8 level grey scales just can be seen.

VI) Adjustment of White balance

1. Receive a black and white pattern at STANDARD status.
2. Use a color analyzer to measure the black side of the screen. By changing the value of GB and BB, set the reading of the color analyzer to $x=284, y=299$.
3. Then measure the white side of the screen. By changing the value of GD and BD, set the reading of the color analyzer to $x=284, y=299$.
4. Repeat step 2&3 until you can get the correct reading for both black and white sides.

VII) Adjustment of Pincushion and Picture Width (for pure flat model only)

1. Receive a crosshatch pattern.
2. Adjust VR1024 until the vertical line become straight.
3. Adjust VR1023 for horizontal size.

VIII) Adjustment of Picture Geometry (PAL)

1. Apply the crosshatch pattern (PAL signal) to the RF input, in STANDARD status.



2. Select HPOS to adjust the Horizontal center.
3. Select VP50 to adjust the Vertical center.
4. Select HIT to adjust the Vertical amplitude.
5. Select VLIN to adjust the vertical linearity.
6. Select VSC to adjust the vertical S-correction.

IX) Adjustment of Picture Geometry (NTSC)

1. Apply the crosshatch pattern (NTSC signal) to the RF input, in STANDARD status.
2. Select HPS to adjust the Horizontal center.
3. Select VP60 to adjust the Vertical center.
4. Select HITS to adjust the Vertical amplitude.
5. Select VLIS to adjust the vertical linearity.
6. Select VSS to adjust the vertical S-correction.

X) Adjustment of OSD position

1. Enter D-mode and press key "NOTE".
2. Select OSD1 to adjust OSD horizontal position (volumebar picturebar half blue panel OSD).
3. Select OSDF1 to adjust OSD PLL DATA (volumebar picturebar half blue panel OSD).
4. Select OSD2 to adjust OSD horizontal position except OSD1 items.
5. Select OSDF2 to adjust OSD PLL DATA except OSDF1 items.

XI) D-mode

Enter D-mode by press D-mode key, then you can adjust the setting according CPU specification.

System setting of M28

ITEM	Description	Initial
GROUP1	KEY 0	
RB	R CUT OFF	80
GB	G CUT OFF	80
BB	B CUT OFF	80
GD	G DRIVE	40
BD	B DRIVE	40

GROUP2	KEY 1	
HPOS/	Horizontal Position 50HZ	0D
HPS	Horizontal Position 60HZ	10
HIT/	Hight 50Hz	29
HTTS	Hight 60Hz	26
VP50	Vertical Position 50Hz	05
VP60	Vertical Position 60Hz	01
VLIN	V Linearity 50Hz	07
VLIS	V Linearity 60Hz	07
VSC	VS Correction 50Hz	03
VSS	VS Correction 60Hz	00



VBLK	V BLK Start / Stop	00
VCEN	V CENTERING	16
OSDH	OSD vertical position 50HZ	25
OSDHS	OSD vertical position 60HZ	1F

GROUP 3	KEY 3	
CNTX	CONTRAST MAX.	59
CNTN	CONTRAST MIN.	08
BRTX	BRIGHT MAX.(difference from center)	20
BRTN	BRIGHT MIN.(difference from center)	25
COLX	COLOR MAX.(difference from center)	4F
COLN	COLOR MIN.	00
TNTX	TINT MAX.(difference from center)	28
TNTN	TINT MIN.(difference from center)	28

GROUP 4	KEY 4	
BRTC	BRIGHT CENTER	50
COLC	COLOR CENTER NTSC	4F
COLS	COLOR CENTER SECAM	40
COLP	COLOR CENTER PAL(shift data from COLC)	00
SCOL	SUB COLOR (Cr input (#21) gain up)	04
SCNT	SUB CONTRAST	0F
CNTC	CONTRAST CENTER	40
TNTC	TINT CENTER	40

GROUP 5	KEY 5	
ST3	SHARP CENTER 3.58NTSC TV	20
SV3	SHARP CENTER 3.58NTSC VIDEO	20
ST4	SHARP CENTER OTHER TV	18
SV4	SHARP CENTER OTHER VIDEO	18
SVD	SHARP CENTER DVD	19
ASSH	ASYMMETRY-SHARPNESS	04
SHPX	SHARP MAX.(difference from center)	1A
SHPN	SHARP MIN.(difference from center)	1A

GROUP 6	KEY 6	
OPT	OPTION DATA	C6
0	adjust mode 0: engineer 1:factory	0
1	0:normal 1: mute sound when no sync in TV	1
2	0:NORMAL 1: mute video during change channle	1
3	au gain 0:50khz 1: 25khz	0
4	when no sync 1: AFT 0: no AFT	0
5	AV change 1: mute 0: no mute sound	0



6		1
7	standby state 0: high standby 1: low standby	1
FLG0		06
0	OVER MOD	0
1	N Buzz Cancel	1
2		1
3	SLO f0 shift	0
4	hotel mode TV mode enter	0
5	hotel mode AV mode enter	0
6	hotel mode	0
7	Vco readjust when position select 0:enable 1:disable	0
FLG1		34
0		0
1	Secam 0:disable 1:enable	0
2	LOGO 0:disable 1:enable	1
3	TINT por	0
4	PIF SELECT 01:45.75 MHZ	1
5	011 :38.9MHZ	1
6	100 :38MHZ	0
7	APC 1:AUTO 0:PRESET	0
STBY		1F
0		1
1	hd kill timer set *40us	1
2		1
3		1
4		when STBY.1 =1 ,after AC on 0: standby 1: power on
5	after AC power on, 1: ref STBY.1 0: last state	0
6	auto sleep function	0
7		0
MODE0		12
0	NICAM 0:DISABLE 1:ENABLE	0
1	English language select	1
2	Russia language select	0
3	vietnam language select	0
4	mute type 0: y mute 1: RGB mute	1
5	when mode0.7 = 1 ; preset sound system after ASM	0
6	00: BG 01 :I 10:DK 11: M	0
7	preset sound system after ASM 0:disable 1:enable	0
MODE1		D5
0	BG system enable	1
1	I system enable	0
2	DK system enable	0
3	M system enable	1



4	VIDEO2 enable	1
5	video3 enable	0
6	YUV enable	1
7	pos num select 0:238 1:100	1
MUTT	standby -->wake time	00
STAT	contrast up timer afer standy off	00

GROUP 7	KEY 7	
RF AGC	RF AGC	20
SBY	SECAM B-Y BLACK ADJUST	08
SRY	SECAM R-Y BLACK ADJUST	08
BRTS	SUB BRIGHT shift data of BRTC	00
TXTS	TEXT RGB CONTRAST MAX.	1F
RGCN	TEXT RGB CONTRAST MIN.	00
SECD	SECAM MODE	08

GROUP 9	KEY 8	
V25	VOLUME 25	32
V50	VOLUME 50	4B
V100	VOLUME 100	64

GROUP 10	KEY 9	
SVM	SVM	00
PYNX	Normal H.SYNC max	28
PYNN	Normal H.SYNC min	18
PYXS	Search H.SYNC max	22
PYNS	Search H.SYNC min	1E

GROUP 11	KEY CALENDAR	
CLTO	TV mode & SOUND SYS != M	4B
CLTM	TV mode & SOUND SYS = M	4C
CLVO	VIDEO	4D
CLVD	YUV MODE	48
CLTO CLTM CLVO CLVD bit setting		
7	KILLER OFF	
6	P/N ID	
5	C GAMMA	
4	NTSC-MATRIX	
3		
2	YDL	
1		
0		
ABL	ABL SETUP	27



5	TB1254N RGB ABL	1
4	TB1254N WPS	0
3	ABL point setup	0
2		1
1		1
0		1
DCBS		VIDEO DATA SETUP
0~3	Y GAMMA BLACK STRETCH	3
4~5	OSD LEVEL	3
DEF	V AGC SELECT	01
0	V AGC reference, 0:depends on YC Vcc	
	1: Depends on integrated regulator	

GROUP 14	KEY NOTE-BOOK	
OSD 1	OSD Horizontal Position (volume bar, picture bar, half blue panel OSD)	0B
OSDF 1	OSD PLL DATA (volume bar, picture bar, half blue panel OSD)	55
OSD 2	OSD Horizontal Position except OSD1 items	48
OSDF 2	OSD PLL DATA except OSD1 items	75
HAFC		09
0	When nois.2=1 ; TV hafc gain	
1	If nois.2=0 TV hafc gain depend on noise (0~1)	
2	In video mode hafc gain	
3		
NOIS	HAFC DATA	01
0	Noise det	
1		
2	Fix the hafc gain	
UCOM	MCU DATA	00



PART VI. Troubleshooting

Flow chart

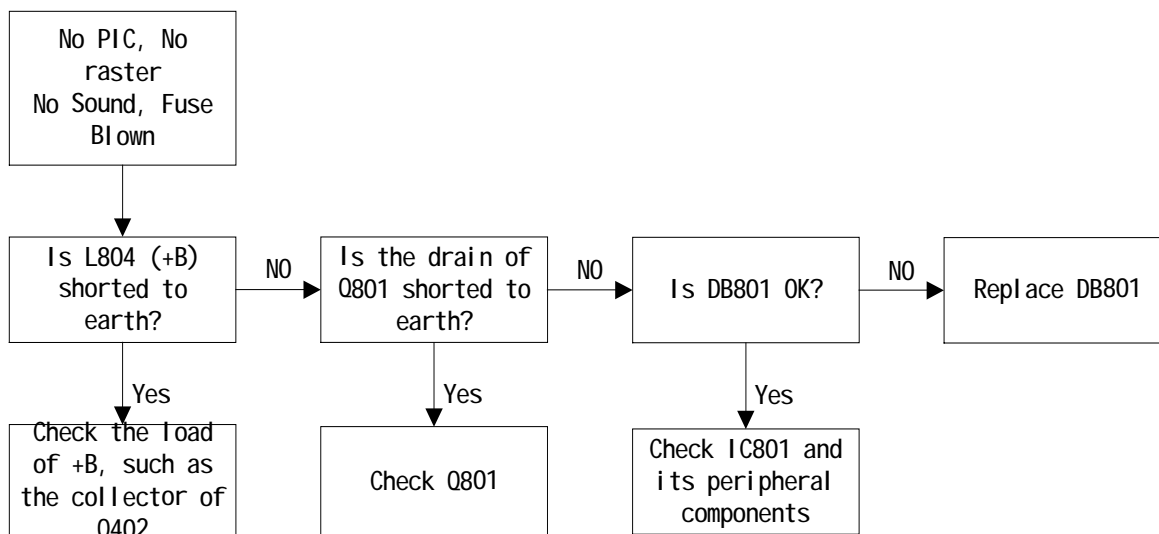


Fig.1 No picture, no raster, no sound, Fuse Blown

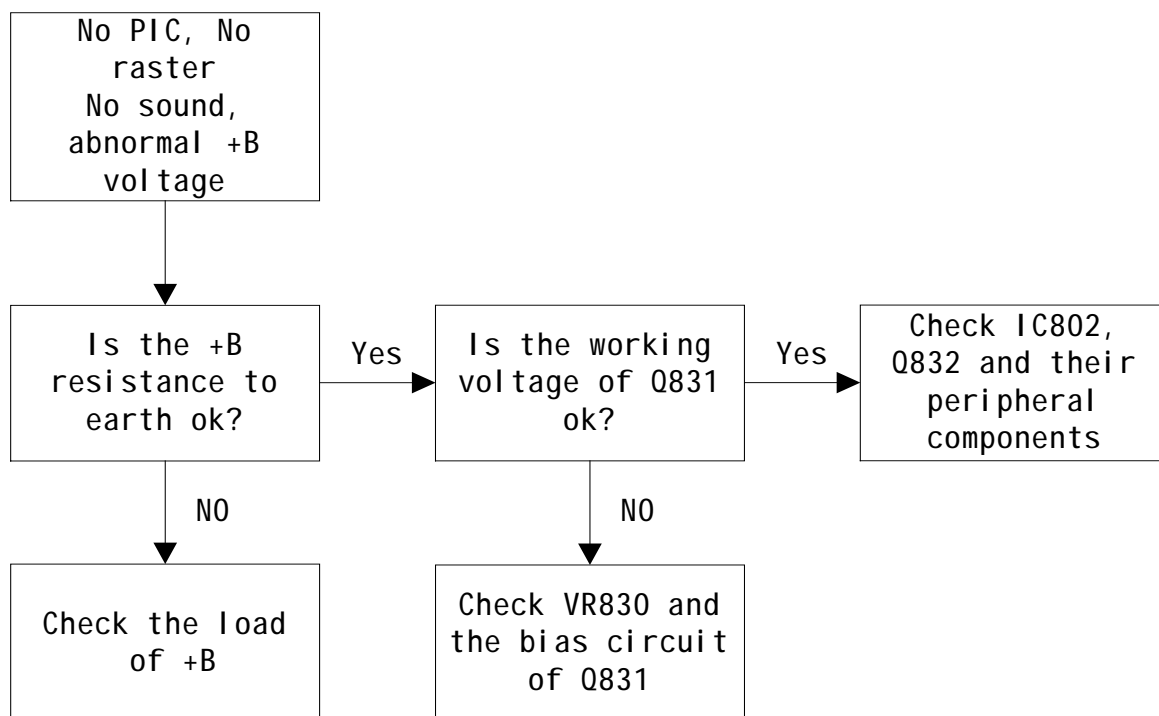


Fig.2 No picture, no raster, no sound, abnormal +B voltage

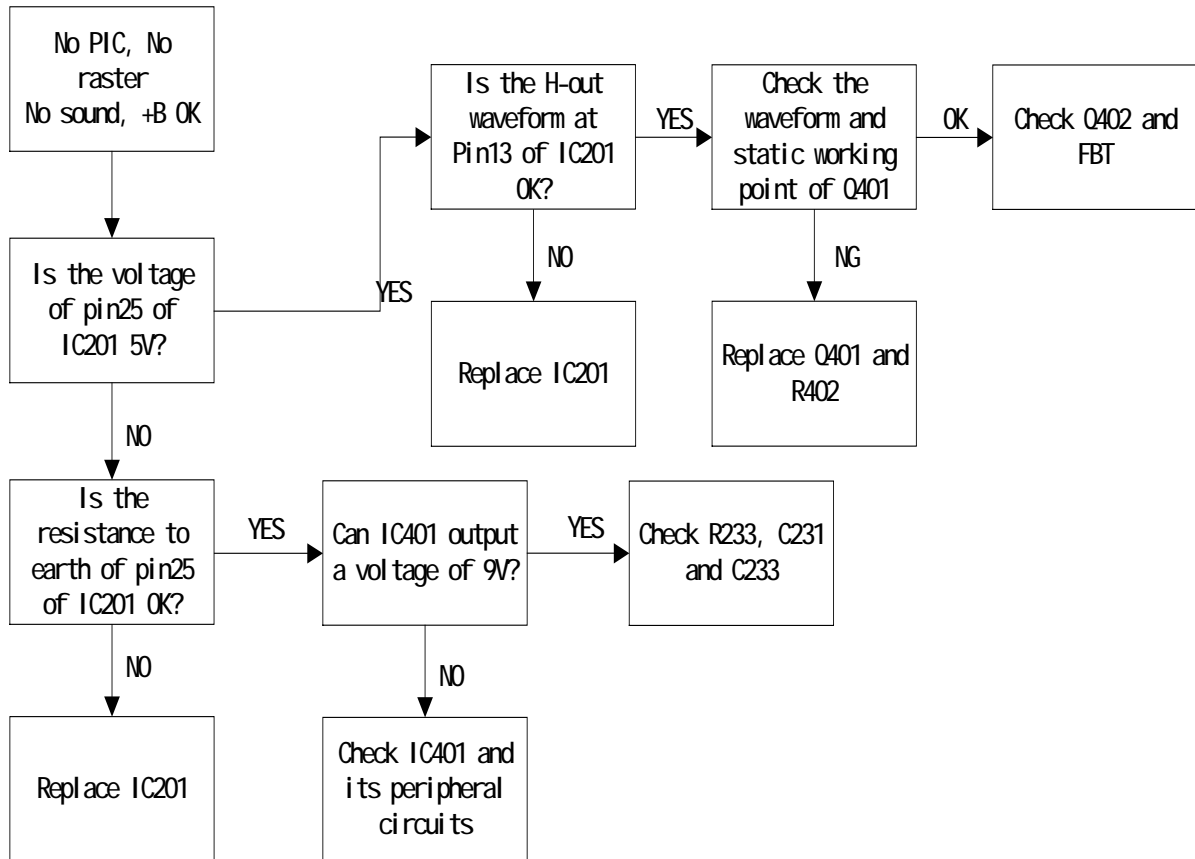


Fig.3 No picture, no raster, no sound, B+ OK

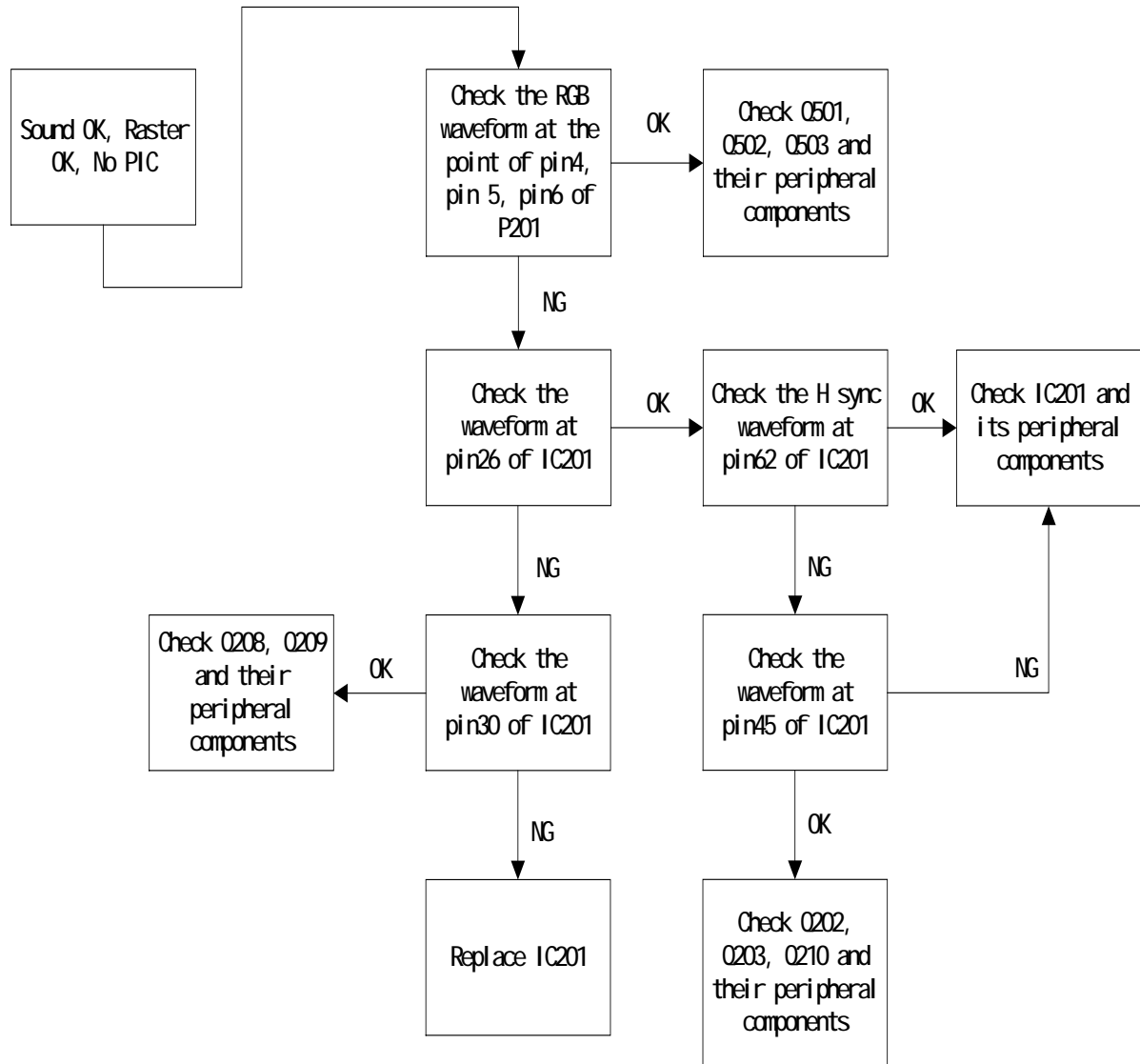


Fig.4 No picture, raster OK, sound OK

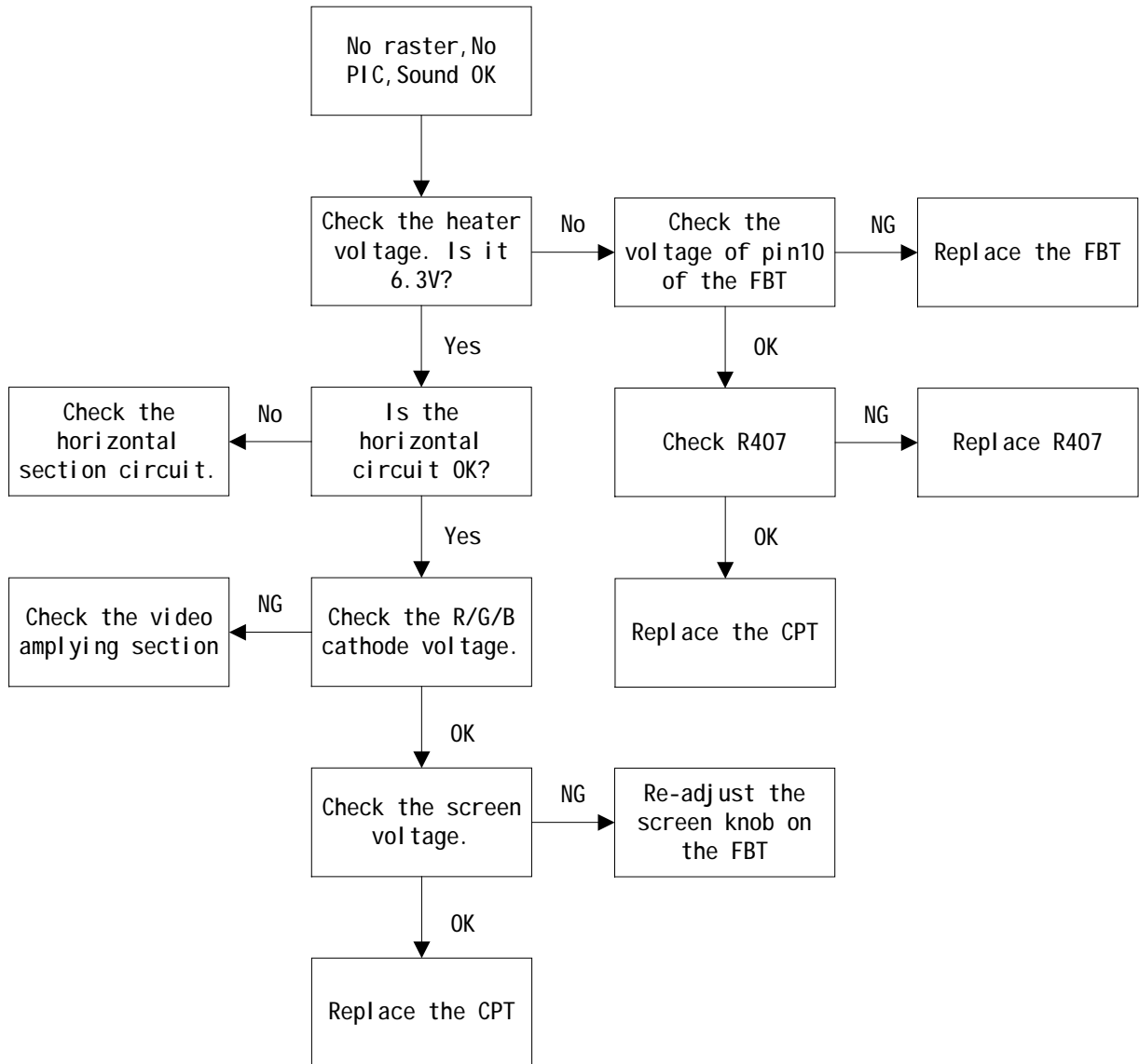


Fig.5 No raster, no picture, sound OK

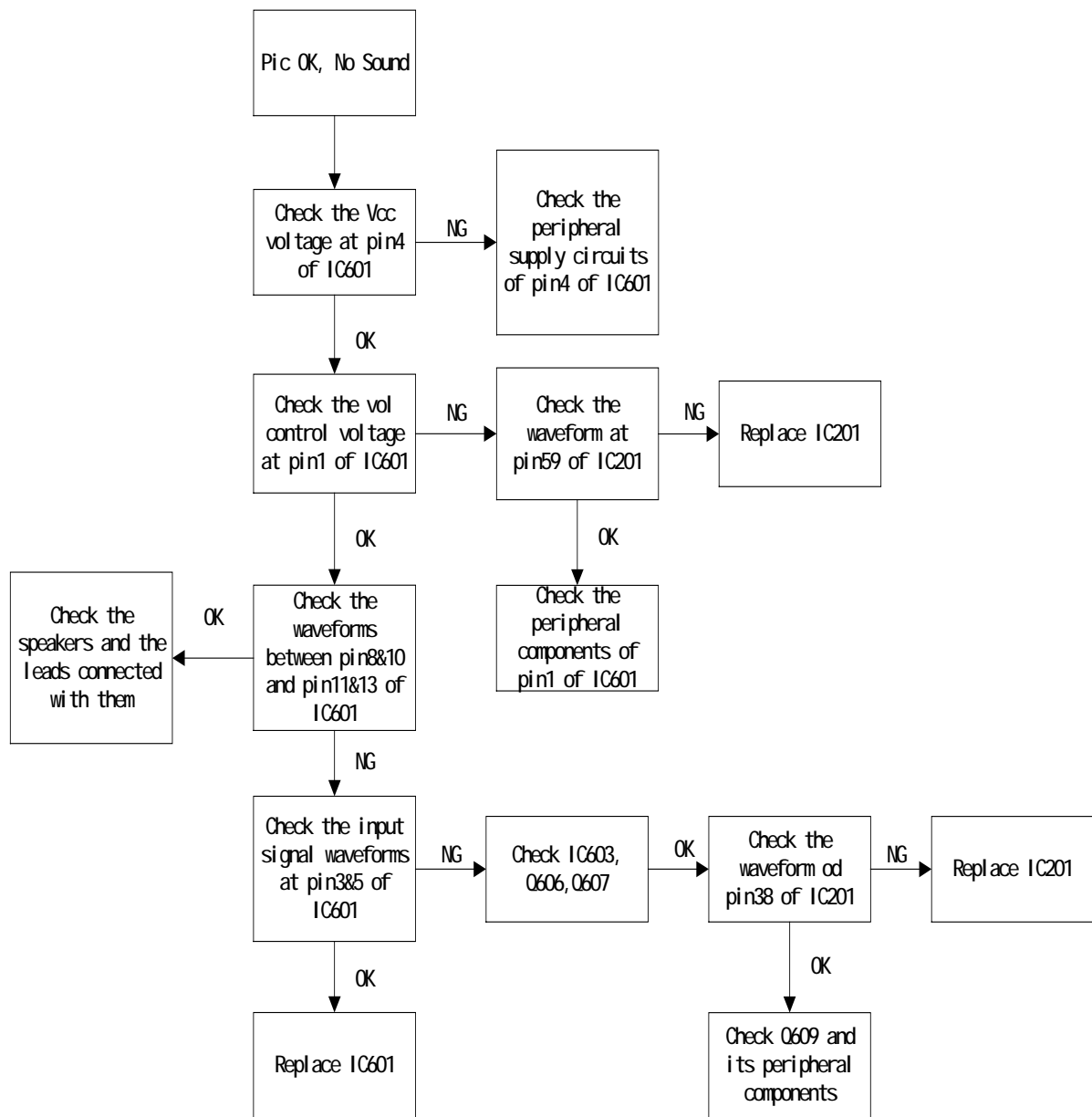


Fig.6 Picture OK, no sound

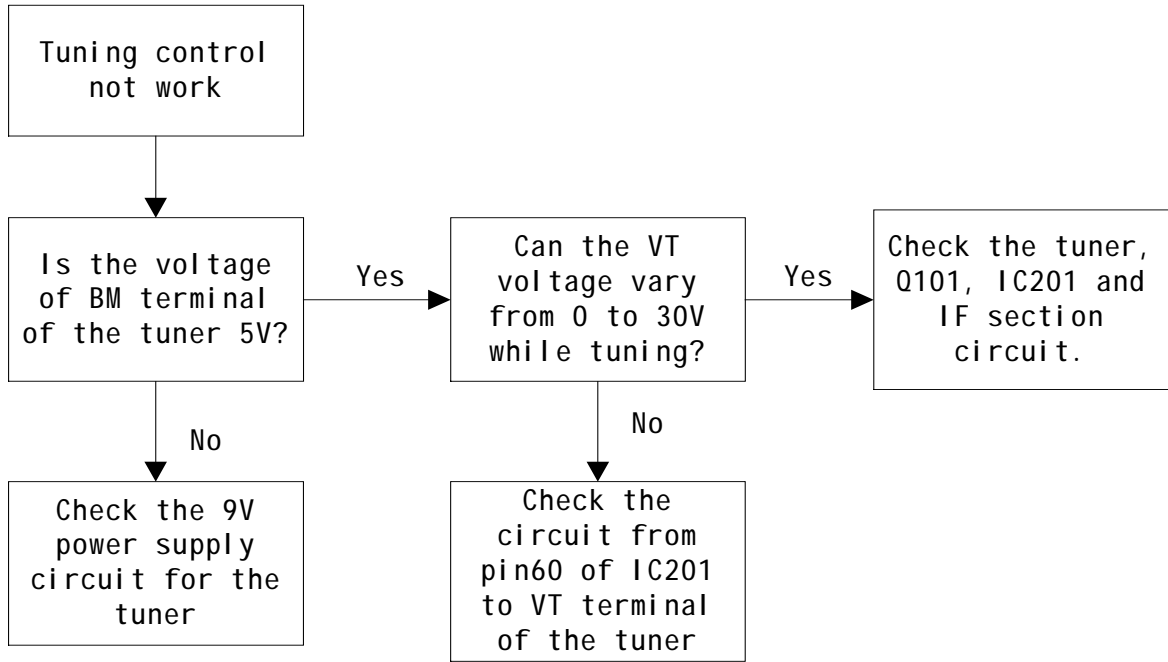


Fig.7 Tuning control not work

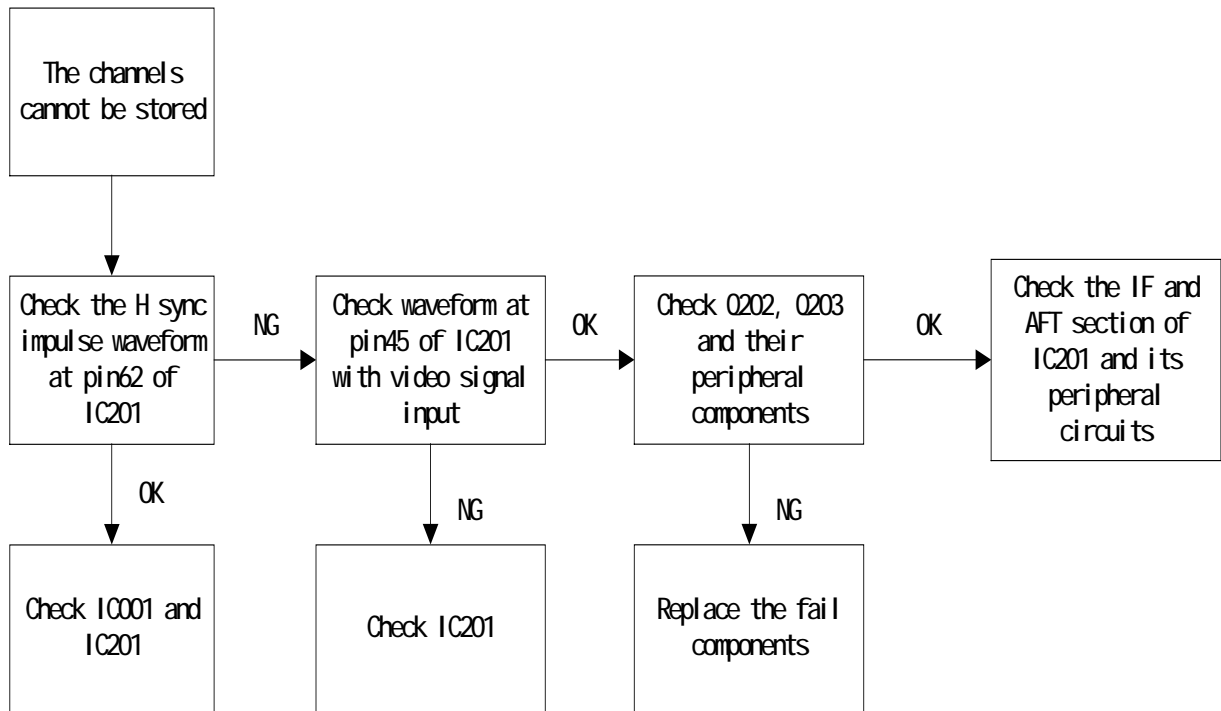


Fig.8 The channel can not be stored

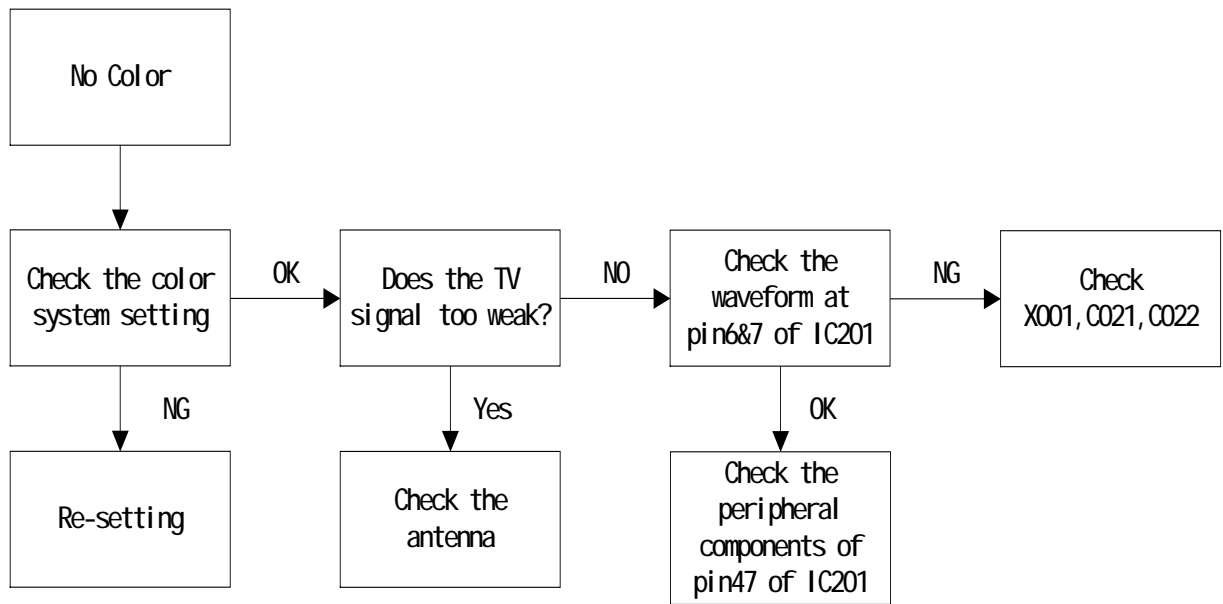


Fig.9 No color

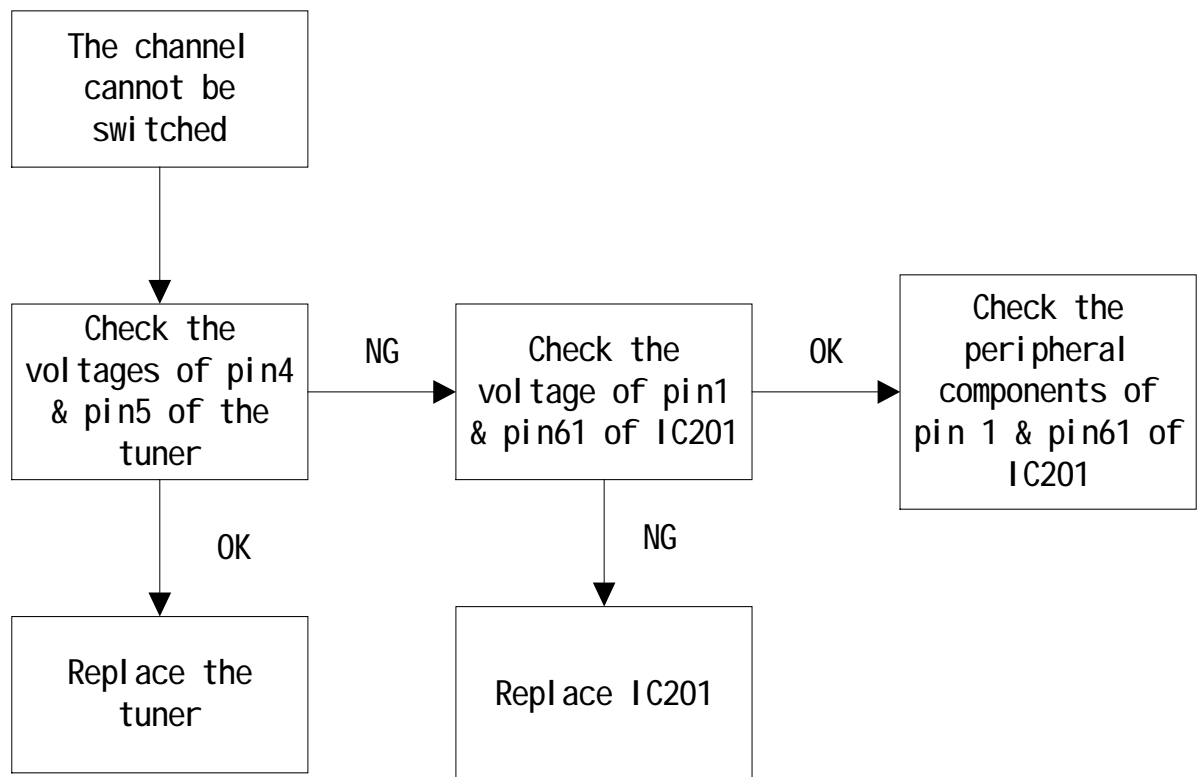


Fig.10 The channel can not be switched

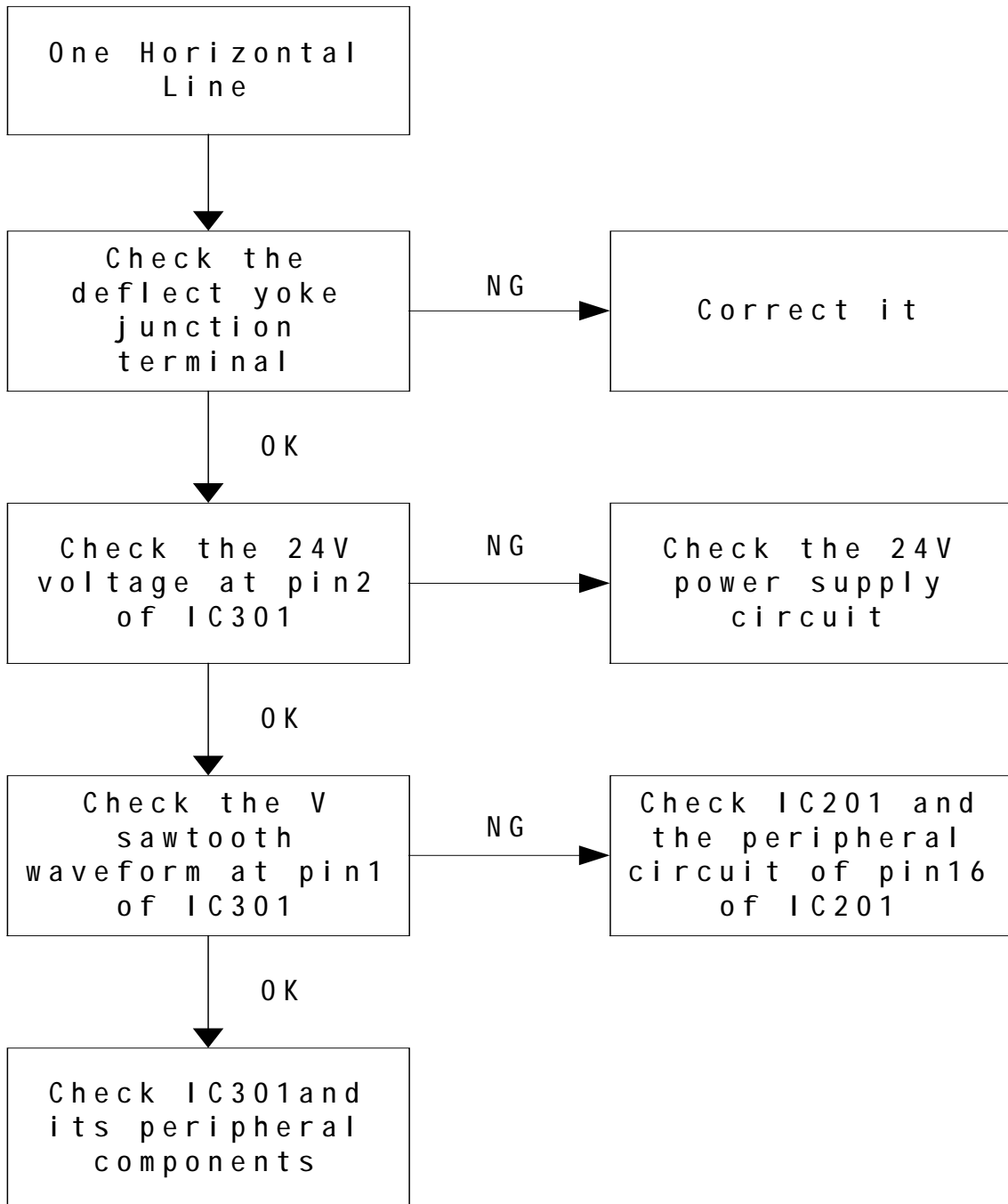


Fig.11 One horizontal line

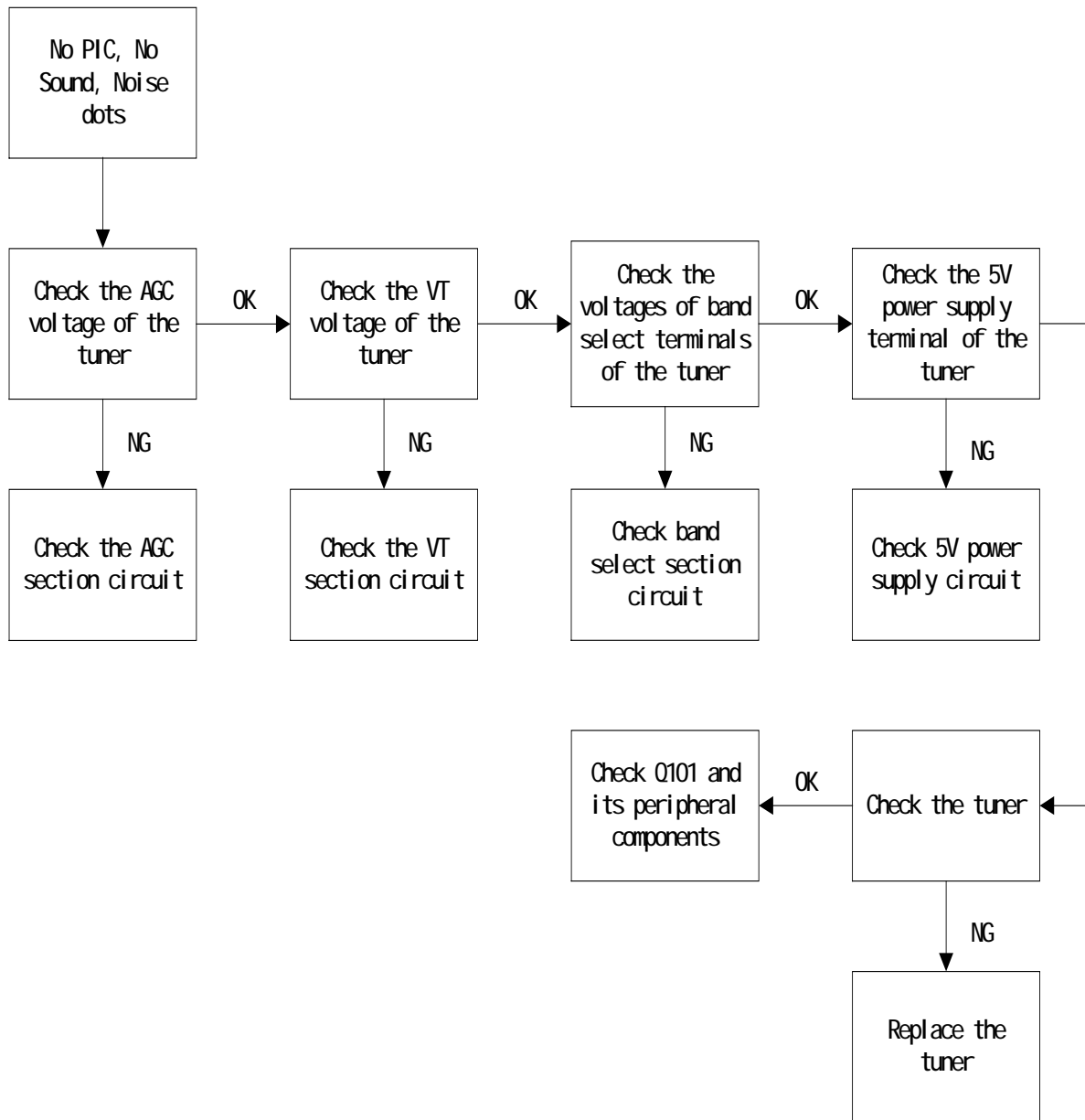


Fig.12 No picture, no sound, snow dots



Examples

1. The indicator is always light. Cannot turn it on by remote handset or local key.

Analysis: We can draw a conclusion that the MCU section is not working. So the remote / local key cannot wake up the machine. Perhaps the reset circuit of MCU or the crystal oscillator causes the failure. Having checked the circuit, we find that all components of the reset section of MCU are OK. So we have a suspicion that the crystal oscillator is failure. We replace it with a new crystal oscillator, so the machine can work normally.

2. No sound, no picture blue screen in TV status

The blue screen indicates that the video output and scanning circuit and MPU are all ok. The failure may exist in the section from the tuner to pin26 of TMPA8803CSN. We use an oscilloscope to observe the waveform of pin30, and the waveform is ok, but no signal input from the pin26. We check the circuit carefully and we find the emitter of Q209 is cold joint. So the TV signal cannot pass the Q209. That is the failure.

3. Power is switched on, and makes noises. No sound, no picture.

First, we disconnect the power supply circuit in the position of +B and switch the machine on. We use a multi meter to measure of +B terminal. The voltage of +B terminal is OK. While connect the +B power supply, we measure the +B again, and we found the voltage is 0V. There must be something wrong with the horizontal power supply circuit, which is supplied by the +B voltage. Having checked the horizontal output triode, we find that there is a short between the collector and the emitter of Q402. The defective horizontal output triode is replaced and the machine is OK.

4. The horizontal output triode is too hot.

The low or heavy drive current can cause this phenomenon. The resolution of right area of the raster is low. So we make a suspicion that the low drive current for horizontal output triode make the current linearity worse.

We check the horizontal drive section. The power supply for it is OK. Two 1.5W resistors in parallel compose R402. One of the twos is cold soldering, and the resistance of R402 is changed from 2.4K to 4.8K. The voltage that is added to T401 drop down, and therefore the driver current is weak. The work temperature of horizontal output triode is rising. Having re-soldering R402, the temperature of horizontal output triode is OK.

5. Sound Ok, no picture (Black Screen)

The standby and working status can be changed freely. But the screen is black. Menu or picture is invisible. The heater is lighting, so the horizontal scanning circuit is ok. Retrace lines are visible if we adjust the screen voltage.

All these above indicate that RGB level is cut off, and this is a kind of protection method of Toshiba chassis for the CRT. If there is something wrong, which make TMPA8803 not receive the FBP impulse through pin12, with the scanning section. TMPA8803 will change the RGB output to black level via the I2C bus automatically. At the same time, TMPA8803CSN will make the beam current smallest to prevent the screen of the CRT not be hurt by the electron beam.

We check the circuit according to the clew above and find that D404 is breakdown, so the FBP



impulses disappear and screen is “black”.

6. Screen is white with visible retrace lines

Generally, this kind of failure may occur at the section of the end video amplifying. The cathode current cannot be cut off during the traceback time because the three cathodes current is too large and the three cathodes voltage is too low.

Only the failure of bias circuit can make the three cathodes not be cut off at the same time because the fail probability of the three video amplifying circuits is very small. We find that there is a short at the collector of Q510. This matter makes the emitters of Q501/502/503 on the lower voltage. The retrace lines appear on the screen for the lower cathode voltage. We replace Q510 with good one and all is ok.

7. One vertical line on the screen

The failure means that there is something wrong with the horizontal deflecting circuit and the horizontal scanning has stopped. For the traceback impulses from the primary coil of the FBT still exist, the heater voltage and EHT voltage affect the display of vertical line in the screen.

We check the horizontal deflecting section, and we find that R411 has been breakdown, and the terminal pad of L412 has been damaged by high temperature.

The L412 is heavier than the other small components, and it is supported by two legs. So the legs are easy to loose to cause the cold soldering. And the deflecting current all pass R411, and R411 is blew.

8. No AV signal input

First, we checked the AV input circuit but not find anything abnormal. So we exchange TV input channel and AV input channel. The AV signal can be displayed normally. So there is something wrong with the inner circuit of Pin24 of IC201. Having replaced TMPA8803CSN, all is OK.

9. Fuse blew once switch the set on

If the failure happen, first we should check the rectifier circuit and the switch power circuit to find whether there are some short components. Second, we should check whether there are shorts at the horizontal output section. While we did with this failure, we found a short at the load section of +B power supply. We checked the horizontal output triode. In addition a short happened between the collector and the emitter, there was an open inside the retrace cap C406. We can draw a conclusion that the open make the retrace time less, so the amplitude of retrace impulse increased, and broke the horizontal output triode down.

10. Some channel cannot be searched out

This is a defect of tuning function not the failure of MCU or the tuner. Perhaps, the input channel signal cannot reach the MCU.

Besides the AFA/AFB circuits intergrated inside the TMPA8803, M117 includes a horizontal sync separation circuit, which is composed by Q202 and Q203. This circuit can separate the horizontal sync signal from the composite signal which is output from pin45 of TMPA8803. And the H sync signal input to MCU from pin62. This is a mark for MCU to judge whether the set has received a channel.

11. No PIC, no sound, no raster, remote and local key unavailable

First we should check the power section. As this example, the switch power supply circuit can work



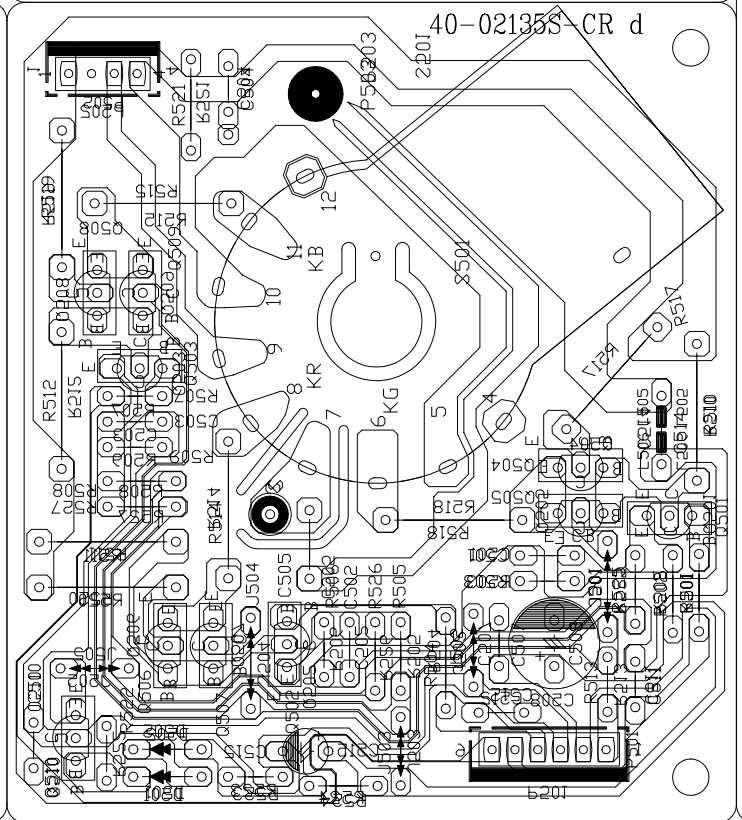
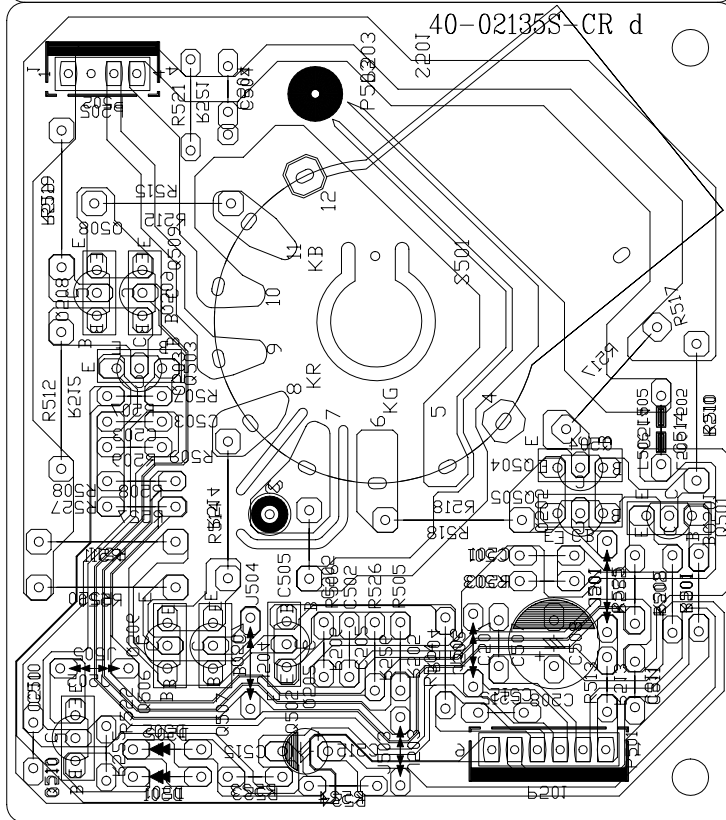
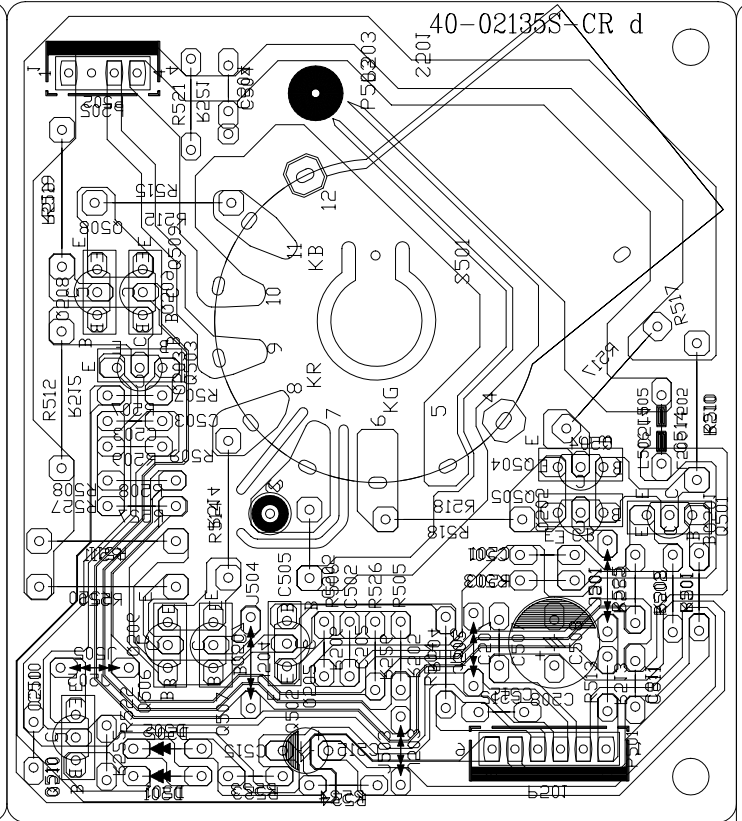
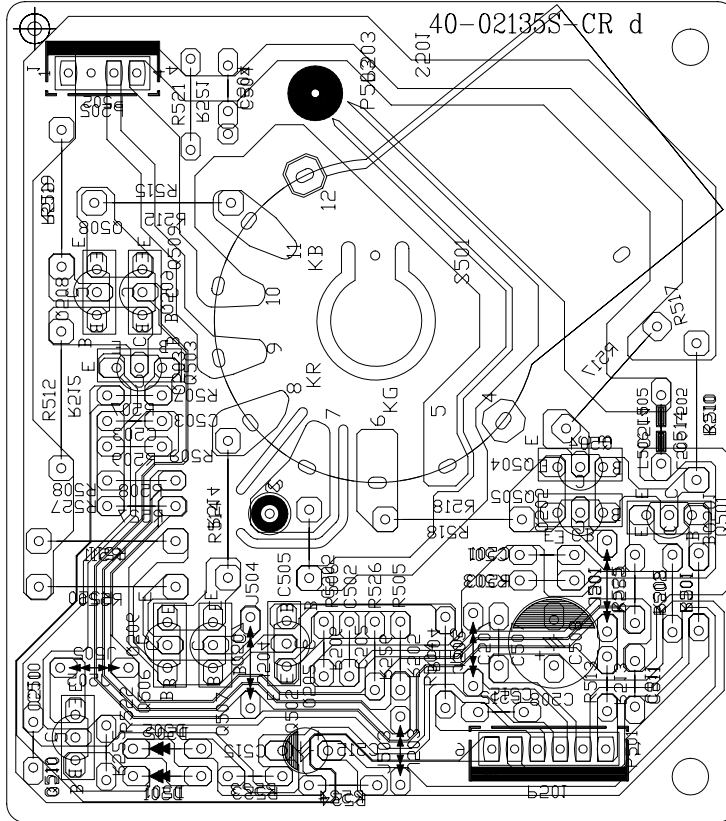
normally, and can output a main power of 112V. We checked the second voltage regulation section, and we found that the H-Vcc (9V) was about 4.5V only. As the 18V power supply was OK, we suppose that there should be a short in the load section.

We found a short at pin17 of IC201. Q207 and Q206 were not damaged. C030 was broken down. Once we havd replaced C030 and IC201, H-Vcc was OK. Because C030 as short, the base voltage of Q206 became higer. And the voltage of H-Vcc became higher also. So IC201 was damaged.



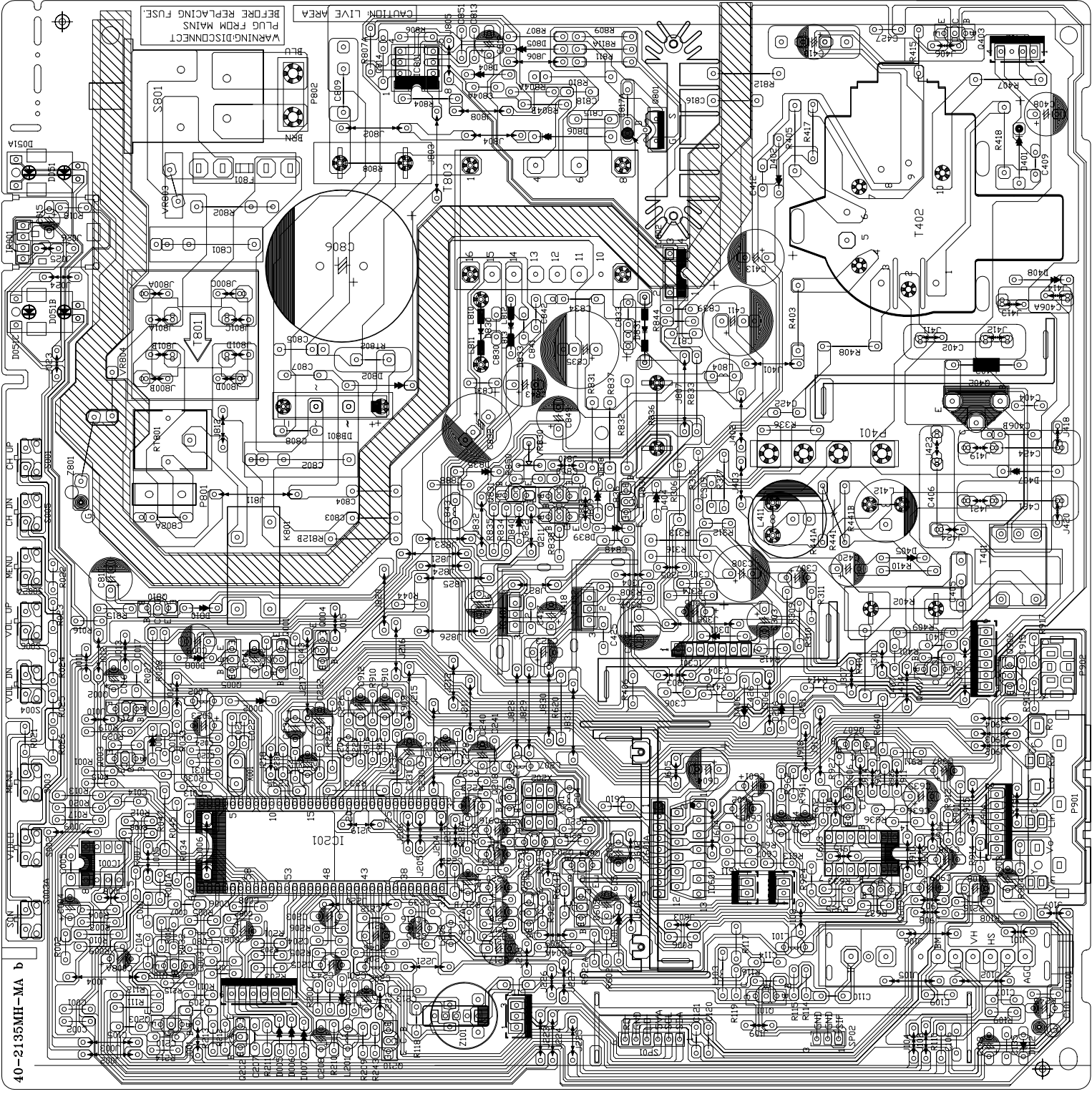
PART VII. PCB Layout Diagram

(CRT) PCB Layout Diagram



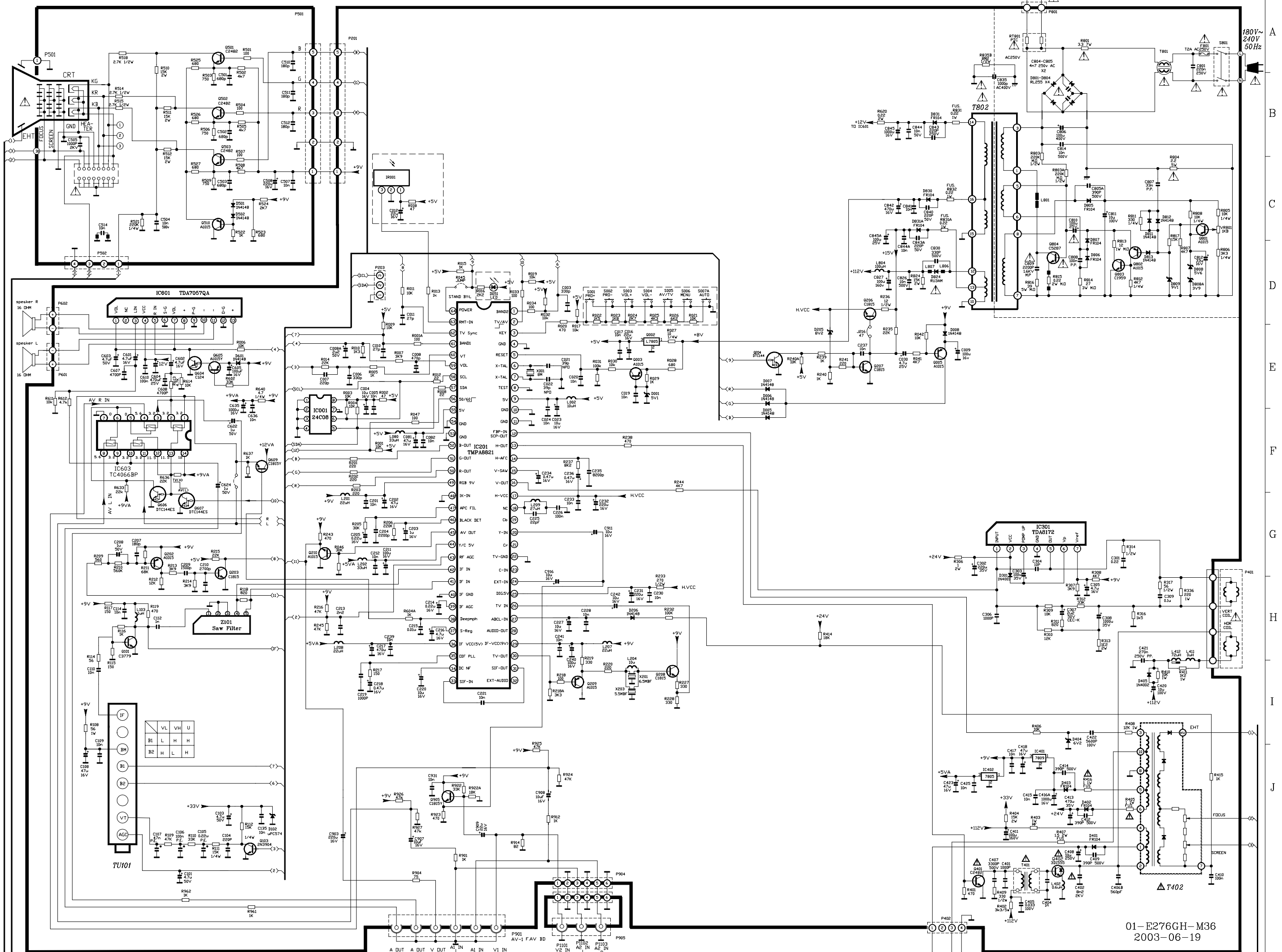


(Main Board) PCB Layout Diagram



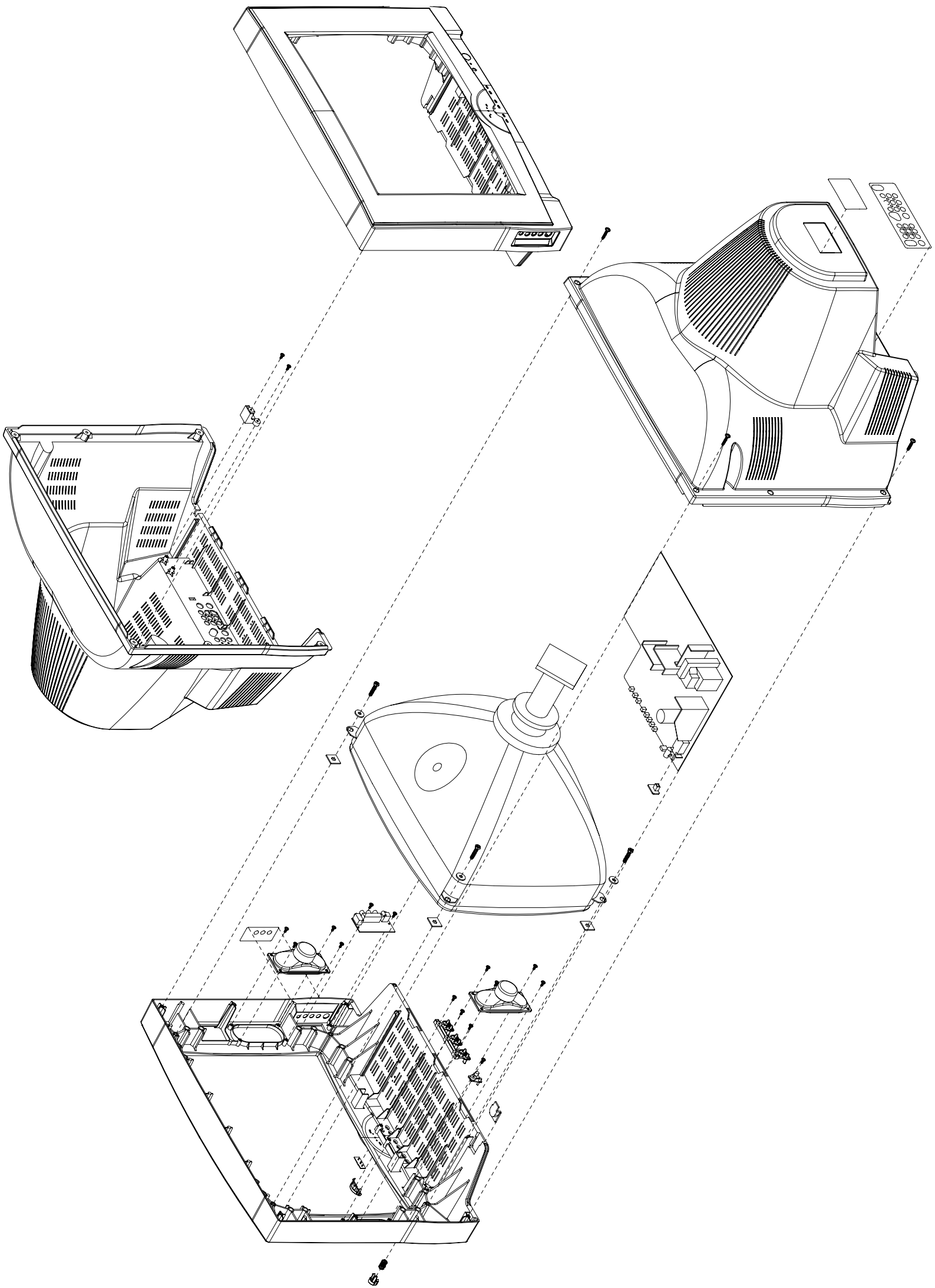


PART VIII Schematic Circuit Diagram





PART IX Exploded view



**PART X. Spare Parts List**

CMPITM	ITMDSC	AH	QTYPER	REMAR1	REMAR2	REMAR3	REMAR4	REMAR5
03-2135MH-SC1	P/S BG DK NTSC-AV RCA-2		0					
08-2135MH-MAN	ASS'Y - MAIN BD (AI)		1					
10-05W162-DBX	DIODE ZENER 15V7-16V5 1/2W	AI	1	D838				
10-05W6C2-DBX	DIODE ZENER 6V-6V3 1/2W	AI	1	D840				
10-05W9A3-DBX	DIODE ZENER 8V1-8V5 1/2W	AI	1	D839				
10-1N4001-EBX	DIODE 1N4001 (RECTIFIER)	AI	1	D301				
10-1N4002-EB1	DIODE 1N4002 (RECTIFIER)	AI	1	D405				
10-1N4148-AB1	DIODE 1N4148 (SWITCHING)	AI	5	D005	D406	D206	D006	D007
10-1N4148-AB1	DIODE 1N4148 (SWITCHING)	AI	3	D601	D008	D002		
10-1N4148-AB1	DIODE 1N4148 (SWITCHING)	AI	1	D805				
10-1SS136-AB1	DIODE 1SS136	AI	2	D804	D835			
10-79C5V1-DB1	DIODE ZENER 5V1 1/2W 5%	AI	1	D001				
10-79C6V2-DB1	DIODE ZENER 6V2 1/2W 5%	AI	1	D404				
10-TFR104-EB3	DIODE TFR104 (FAST RECOVER)	AI	2	D402	D401			
10-TFR104-EB3	DIODE TFR104 (FAST RECOVER)	AI	1	D802				
11-2N3904-0B1	TRANSISTOR 2N3904	AI	1	Q103				
11-SA1015-YB1	TRANSISTOR 2SA1015Y	AI	5	Q003	Q202	Q005	Q209	Q210
11-SA1015-YB1	TRANSISTOR 2SA1015Y	AI	1	Q605				
11-SC1815-YB1	TRANSISTOR 2SC1815Y	AI	5	Q203	Q004	Q001	Q002	Q208
11-SC1815-YB1	TRANSISTOR 2SC1815Y	AI	3	Q609	Q905	Q906		
11-SC1815-YB1	TRANSISTOR 2SC1815Y	AI	2	Q832	Q831			
11-SC2482-0B1	TRANSISTOR 2SC2482	AI	1	Q401				
11-SC3779-DB1	TRANSISTOR 2SC3779D (RF AMPL)	AI	1	Q101				
11-TC124E-SB1	TRANSISTOR DTC124ES (TP)	AI	1	Q604				
11-TC144E-SB1	TRANSISTOR DTC144ES (TP)	AI	3	Q606	Q607	Q211		
18-CB0101-JNX	RES. C.F. 100 OHM 1/6W +/-5%	AI	5	R915	R916	R008	R012	R218
18-CB0101-JNX	RES. C.F. 100 OHM 1/6W +/-5%	AI	4	R001A	R047	R033	R034	
18-CB0102-JNX	RES. C.F. 1K OHM 1/6W +/-5%	AI	5	R415	R013	R029	R005	R015
18-CB0102-JNX	RES. C.F. 1K OHM 1/6W +/-5%	AI	5	R116	R637	R901	R912	R961
18-CB0102-JNX	RES. C.F. 1K OHM 1/6W +/-5%	AI	3	R962	R604A	C226		
18-CB0102-JNX	RES. C.F. 1K OHM 1/6W +/-5%	AI	1	R809				
18-CB0103-JNX	RES. C.F. 10K OHM 1/6W +/-5%	AI	5	R003	R004	R009	R011	R001
18-CB0103-JNX	RES. C.F. 10K OHM 1/6W +/-5%	AI	5	R019	R030	R032	R043	R042
18-CB0103-JNX	RES. C.F. 10K OHM 1/6W +/-5%	AI	5	R044	R611	R614	R406	R911



18-CB0103-JNX	RES. C.F. 10K OHM 1/6W +/-5%	AI	4	R913	R017	R021	R006
18-CB0103-JNX	RES. C.F. 10K OHM 1/6W +/-5%	AI	1	R844			
18-CB0104-JNX	RES. C.F. 100K OHM 1/6W +/-5%	AI	2	R232	R031		
18-CB0122-JNX	RES. C.F. 1.2K OHM 1/6W +/-5%	AI	1	R010			
18-CB0123-JNX	RES. C.F. 12K OHM 1/6W +/-5%	AI	1	R212			
18-CB0151-JNX	RES. C.F. 150 OHM 1/6W +/-5%	AI	3	R217	R115	R117	
18-CB0152-JNX	RES. C.F. 1.5K OHM 1/6W +/-5%	AI	1	R022			
18-CB0153-JNX	RES. C.F. 15K OHM 1/6W +/-5%	AI	3	R413	R111	R112	
18-CB0182-JNX	RES. C.F. 1.8K OHM 1/6W +/-5%	AI	1	R023			
18-CB0183-JNX	RES. C.F. 18K OHM 1/6W +/-5%	AI	2	R414	R922A		
18-CB0221-JNX	RES. C.F. 220 OHM 1/6W +/-5%	AI	5	R201	R202	R203	R220 R200
18-CB0222-JNX	RES. C.F. 2.2K OHM 1/6W +/-5%	AI	1	R016			
18-CB0223-JNX	RES. C.F. 22K OHM 1/6W +/-5%	AI	4	R014	R215	R633	R636
18-CB0224-JNX	RES. C.F. 220K OHM 1/6W +/-5%	AI	1	R206			
18-CB0271-JNX	RES. C.F. 270 OHM 1/6W +/-5%	AI	2	R227	R233		
18-CB0272-JNX	RES. C.F. 2.7K OHM 1/6W +/-5%	AI	1	R024			
18-CB0303-JNX	RES. C.F. 30K OHM 1/6W +/-5%	AI	1	R205			
18-CB0331-JNX	RES. C.F. 330 OHM 1/6W +/-5%	AI	2	R219	R228		
18-CB0332-JNX	RES. C.F. 3.3K OHM 1/6W +/-5%	AI	2	R218A	R046		
18-CB0332-JNX	RES. C.F. 3.3K OHM 1/6W +/-5%	AI	1	R834			
18-CB0333-JNX	RES. C.F. 33K OHM 1/6W +/-5%	AI	3	R110	R922	R602	
18-CB0333-JNX	RES. C.F. 33K OHM 1/6W +/-5%	AI	1	R838			
18-CB0392-JNX	RES. C.F. 3.9K OHM 1/6W +/-5%	AI	4	R213	R307	R214	R007
18-CB0392-JNX	RES. C.F. 3.9K OHM 1/6W +/-5%	AI	1	R807			
18-CB0432-JNX	RES. C.F. 4.3K OHM 1/6W +/-5%	AI	1	R025			
18-CB0470-JNX	RES. C.F. 47 OHM 1/6W +/-5%	AI	2	R002	R018		
18-CB0471-JNX	RES. C.F. 470 OHM 1/6W +/-5%	AI	5	R119	R238	R243	R401 R923
18-CB0471-JNX	RES. C.F. 470 OHM 1/6W +/-5%	AI	1	R020			
18-CB0471-JNX	RES. C.F. 470 OHM 1/6W +/-5%	AI	1	R807A			
18-CB0472-JNX	RES. C.F. 4.7K OHM 1/6W +/-5%	AI	4	R244	R308	R612	R613
18-CB0472-JNX	RES. C.F. 4.7K OHM 1/6W +/-5%	AI	1	R806			
18-CB0473-JNX	RES. C.F. 47K OHM 1/6W +/-5%	AI	5	R109	R216	R245	R412 R924
18-CB0473-JNX	RES. C.F. 47K OHM 1/6W +/-5%	AI	3	R927	R925	R926	
18-CB0560-JNX	RES. C.F. 56 OHM 1/6W +/-5%	AI	1	R114			
18-CB0561-JNX	RES. C.F. 560 OHM 1/6W +/-5%	AI	1	R209			
18-CB0564-JNX	RES. C.F. 560K OHM 1/6W +/-5%	AI	1	R210			
18-CB0622-JNX	RES. C.F. 6.2K OHM 1/6W +/-5%	AI	1	R026			



18-CB0622-JNX	RES. C.F. 6.2K OHM 1/6W +/-5%	AI	1	R850				
18-CB0681-JNX	RES. C.F. 680 OHM 1/6W +/-5%	AI	1	R028				
18-CB0683-JNX	RES. C.F. 68K OHM 1/6W +/-5%	AI	1	R211				
18-CB0750-JNX	RES. C.F. 75 OHM 1/6W +/-5%	AI	4	R909	R910	R904	R917	
18-CB0820-JNX	RES. C.F. 82 OHM 1/6W +/-5%	AI	1	R914				
18-CB0821-JNX	RES. C.F. 820 OHM 1/6W +/-5%	AI	1	R118				
18-CB0822-JNX	RES. C.F. 8.2K OHM 1/6W +/-5%	AI	1	R237				
18-CB0912-JNX	RES. C.F. 9.1K OHM 1/6W +/-5%	AI	1	R312				
18-CD0100-JNX	RES. C.F. 10 OHM 1/4W +/-5%	AI	1	R027				
18-CD0220-JNX	RES. C.F. 22 OHM 1/4W +/-5%	AI	1	R811A				
18-CD0221-JNX	RES. C.F. 220 OHM 1/4W +/-5%	AI	1	R833				
18-CD0392-JNX	RES. C.F. 3.9K OHM 1/4W +/-5%	AI	1	R835				
18-CD0471-JNX	RES. C.F. 470 OHM 1/4W +/-5%	AI	1	R811				
18-CD0682-JNX	RES. C.F. 6.8K OHM 1/4W +/-5%	AI	1	R310				
18-CD0822-JNX	RES. C.F. 8.2K OHM 1/4W +/-5%	AI	1	R309				
18-CE0152-JNX	RES. C.F. 1.5K OHM 1/2W +/-5%	AI	1	R314				
18-CE0331-JNX	RES. C.F. 330 OHM 1/2W +/-5%	AI	1	R409				
18-CE0479-JNX	RES. C.F. 4.7 OHM 1/2W +/-5%	AI	1	R640				
18-CE0479-JNX	RES. C.F. 4.7 OHM 1/2W +/-5%	AI	1	R832				
18-CE0560-JNX	RES. C.F. 56 OHM 1/2W +/-5%	AI	1	R317				
18-CE0563-JNX	RES. C.F. 56K OHM 1/2W +/-5%	AI	1	R831				
18-DD0104-FNX	RES. M.F. 0.1M OHM 1/4W +/-1%	AI	1	R804				
18-DD0912-FNX	RES. M.F. 9.1K OHM 1/4W +/-1%	AI	1	R804A				
18-KE0105-JNX	RES. H. VOLT. CC 1M OHM 1/2W	AI	1	R802				
25-BCB100-M1X	CAP. ELEC 10 UF 16V +/-20%	AI	5	C004	C220	C023	C227	C231
25-BCB100-M1X	CAP. ELEC 10 UF 16V +/-20%	AI	3	C242	C907	C908		
25-BCB101-M1X	CAP. ELEC 100 UF 16V +/-20%	AI	5	C016	C240	C605	C211	C416
25-BCB220-M1X	CAP. ELEC 22 UF 16V +/-20%	AI	3	C903	C909	C305		
25-BCB221-M1X	CAP. ELEC 220 UF 16V +/-20%	AI	2	C232	C635			
25-BCB470-M1X	CAP. ELEC 47 UF 16V +/-20%	AI	5	C423	C202	C108	C082	C418
25-BCB471-M1X	CAP. ELEC 470 UF 16V +/-20%	AI	1	C009				
25-BEB101-M1X	CAP. ELEC 100 UF 35V +/-20%	AI	1	C303				
25-BFB109-M1X	CAP. ELEC 1 UF 50V +/-20%	AI	5	C208	C622	C624	C203	C910
25-BFB109-M1X	CAP. ELEC 1 UF 50V +/-20%	AI	3	C911	C912	C916		
25-BFB228-M1X	CAP. ELEC 0.22 UF 50V +/-20%	AI	2	C214	C205			
25-BFB229-M1X	CAP. ELEC 2.2 UF 50V +/-20%	AI	1	C008A				
25-BFB478-M1X	CAP. ELEC 0.47 UF 50V +/-20%	AI	3	C218	C234	C236		



25-BFB479-M1X	CAP. ELEC 4.7 UF 50V +/-20%	AI	5	C307	C101	C103	C216	C601
25-BFB479-M1X	CAP. ELEC 4.7 UF 50V +/-20%	AI	2	C602	C603			
25-BHB100-M11	CAP. ELEC 10 UF 100V +/-20%	AI	1	C420				
25-DFB229-M1X	CAP. ELEC 2.2 UF 50V +/-20% BP	AI	1	R041				
26-ABC101-JZX	CAP. CER 100 PF 50V +/-5% SL	AI	2	C001	C002			
26-ABC101-JZX	CAP. CER 100 PF 50V +/-5% SL	AI	1	C814				
26-ABC104-ZFX	CAP. CER 0.1 UF 50V +80-20% F	AI	3	C813	C831	C842		
26-ABC221-JZX	CAP. CER 220 PF 50V +/-5% SL	AI	1	C841				
26-ABC300-JZX	CAP. CER 30 PF 50V +/-5% SL	AI	2	C021	C022			
26-ABC471-JZX	CAP. CER 470 PF 50V +/-5% SL	AI	1	C851				
26-ABC471-KBX	CAP. CER 470 PF 50V +/-10% B	AI	1	C008				
26-AIC102-KBX	CAP. CER 1000 PF 500V +/-10% B	AI	2	C401	C404			
26-AIC332-KBX	CAP. CER 3300 PF 500V +/-10% B	AI	2	C407	C405			
26-AIC391-KBX	CAP. CER 390 PF 500V +/-10% B	AI	2	C409	C412			
26-AIC472-KBX	CAP. CER 4700 PF 500V +/-10% B	AI	2	C807	C808			
26-EBP100-JC1	CAP. CER 10 PF 50V +/-5% CH	AI	1	C304				
26-EBP102-KB1	CAP. CER 1000 PF 50V +/-10% B	AI	4	C915	C112	C219	C306	
26-EBP102-KB1	CAP. CER 1000 PF 50V +/-10% B	AI	2	C848	C804A			
26-EBP103-ZF1	CAP. CER 0.01 UF 50V +80-20%F	AI	5	C212	C109	C019	C114	C024
26-EBP103-ZF1	CAP. CER 0.01 UF 50V +80-20%F	AI	5	C201	C241	C005	C228	C230
26-EBP103-ZF1	CAP. CER 0.01 UF 50V +80-20%F	AI	5	C233	C425	C417	C110	C239
26-EBP103-ZF1	CAP. CER 0.01 UF 50V +80-20%F	AI	5	C243	C020	C017	C221	C636
26-EBP103-ZF1	CAP. CER 0.01 UF 50V +80-20%F	AI	3	C931	C135	C081		
26-EBP181-JC1	CAP. CER 180 PF 50V +/-5% CH	AI	1	C207				
26-EBP221-JC1	CAP. CER 220 PF 50V +/-5% CH	AI	3	C007	C104	C427		
26-EBP270-JC1	CAP. CER 27 PF 50V +/-5% CH	AI	2	C010	C011			
26-EBP331-JC1	CAP. CER 330 PF 50V +/-5% CH	AI	2	C006	C003			
27-MBC103-J03	CAP. M.P.E. 0.01 UF 50V +/-5%	AI	1	C215				
27-MBC104-J01	CAP. M.P.E. 0.1 UF 50V +/-5%	AI	1	C850				
27-MBC104-J03	CAP. M.P.E. 0.1 UF 50V +/-5%	AI	5	C106	C301	C309	C610	C451
27-MBC104-J0X	CAP. M.P.E.0.1 UF 50V +/-5%	AI	1	C836				
27-PBC152-J0X	CAP. P.E. 1500 PF 50V +/-5%	AI	1	C209				
27-PBC154-J03	CAP. P.E. 0.15 UF 50V +/-5%	AI	1	C426				
27-PBC222-J03	CAP. P.E. 2200 PF 50V +/-5%	AI	2	C213	C204			
27-PBC272-J0X	CAP. P.E. 2700 PF 50V +/-5%	AI	1	C210				
27-PBC472-J0X	CAP. P.E. 4700PF 50V +/-5%	AI	2	C607	C608			
27-PBC473-J03	CAP. P.E 0.047UF 50V +/-5%	AI	1	C107				



27-PBC562-J03	CAP. P.E. 5600 PF 50V +/-5%	AI	1	C422					
27-PBC822-J03	CAP. P.E. 8200 PF 50V +/-5%	AI	1	C235					
34-A109K0-1IX	COIL CHOKE 1 UH +/-10%	AI	1	L103					
34-R100J2-0EX	COIL PL - 10 UH +/-5%	AI	2	L002	L204				
34-R220J2-0EX	COIL PL - 22 UH +/-5%	AI	3	L208	L201	L207			
34-R330J2-0EX	COIL PL - 33 UH +/-5%	AI	2	L080	L202				
34-R330J2-0EX	COIL PL - 33 UH +/-5%	AI	1	L843					
40-21068S-MAC01	P.C.B. MAIN BD	AI	1						
41-WJ0050-B00	WIRE BARE JUMPER 5MM	AI	5	J025	J411	J412	J606	J607	
41-WJ0050-B00	WIRE BARE JUMPER 5MM	AI	5	J418	J419	J420	J424	L101	
41-WJ0050-B00	WIRE BARE JUMPER 5MM	AI	1	L209					
41-WJ0050-B00	WIRE BARE JUMPER 5MM	AI	5	J800A	J800B	J800C	J800D	J801A	
41-WJ0050-B00	WIRE BARE JUMPER 5MM	AI	3	J801B	J801C	J801D			
41-WJ0060-B00	WIRE BARE JUMPER 6MM	AI	5	J008	J010	J021	J023	J101	
41-WJ0060-B00	WIRE BARE JUMPER 6MM	AI	5	J107	J109	J218	J210	J222	
41-WJ0060-B00	WIRE BARE JUMPER 6MM	AI	5	J226	J603	J912	J915	J916	
41-WJ0060-B00	WIRE BARE JUMPER 6MM	AI	3	R311	J406	J605			
41-WJ0060-B00	WIRE BARE JUMPER 6MM	AI	1	J810					
41-WJ0065-B00	WIRE BARE JUMPER 6.5MM	AI	5	J011	J015	J022	J108	J208	
41-WJ0065-B00	WIRE BARE JUMPER 6.5MM	AI	5	J301	J305	J907	J908	J911	
41-WJ0065-B00	WIRE BARE JUMPER 6.5MM	AI	1	J913					
41-WJ0070-B00	WIRE BARE JUMPER 7MM	AI	3	J104	J307	J906			
41-WJ0075-B00	WIRE BARE JUMPER 7.5MM	AI	5	J001	J005	J013	J024	J103	
41-WJ0075-B00	WIRE BARE JUMPER 7.5MM	AI	5	J205	J206	J207	J209	J304	
41-WJ0075-B00	WIRE BARE JUMPER 7.5MM	AI	5	J303	J421	J423	J602	J909	
41-WJ0075-B00	WIRE BARE JUMPER 7.5MM	AI	1	J914					
41-WJ0075-B00	WIRE BARE JUMPER 7.5MM	AI	1	J809					
41-WJ0080-B00	WIRE BARE JUMPER 8 MM	AI	2	J014	J901				
41-WJ0085-B00	WIRE BARE JUMPER 8.5MM	AI	3	J009	J219	J227			
41-WJ0085-B00	WIRE BARE JUMPER 8.5MM	AI	1	J812					
41-WJ0090-B00	WIRE BARE JUMPER 9MM	AI	5	J225	J910	J902	J903	J904	
41-WJ0090-B00	WIRE BARE JUMPER 9MM	AI	1	J805					
41-WJ0095-B00	WIRE BARE JUMPER 9.5MM	AI	2	J404	J601				
41-WJ0100-B00	WIRE BARE JUMPER 10MM	AI	4	J012	J221	J223	J224		
41-WJ0100-B00	WIRE BARE JUMPER 10MM	AI	3	R804B	J822	J827			
41-WJ0105-B00	WIRE BARE JUMPER 10.5MM	AI	2	J905	J212				
41-WJ0105-B00	WIRE BARE JUMPER 10.5MM	AI	1	J824					



41-WJ0110-B00	WIRE BARE JUMPER 11MM	AI	1	J007				
41-WJ0115-B00	WIRE BARE JUMPER 11.5MM	AI	2	J604	J918			
41-WJ0115-B00	WIRE BARE JUMPER 11.5MM	AI	1	J823				
41-WJ0120-B00	WIRE BARE JUMPER 12MM	AI	1	J401				
41-WJ0125-B00	WIRE BARE JUMPER 12.5MM	AI	5	J002	J003	J102	J306	J402
41-WJ0125-B00	WIRE BARE JUMPER 12.5MM	AI	4	J105	J106	J215	J216	
41-WJ0125-B00	WIRE BARE JUMPER 12.5MM	AI	4	J804	J806	J808	J832	
41-WJ0130-B00	WIRE BARE JUMPER 13MM	AI	3	J204	J211	J405		
41-WJ0135-B00	WIRE BARE JUMPER 13.5MM	AI	1	J006				
41-WJ0145-B00	WIRE BARE JUMPER 14.5MM	AI	1	J826				
41-WJ0150-B00	WIRE BARE JUMPER 15MM	AI	2	J302	C406A			
41-WJ0150-B00	WIRE BARE JUMPER 15MM	AI	2	J802	J821			
41-WJ0160-B00	WIRE BARE JUMPER 16MM	AI	2	J917	J403			
41-WJ0160-B00	WIRE BARE JUMPER 16MM	AI	1	J825				
41-WJ0165-B00	WIRE BARE JUMPER 16.5MM	AI	1	J220				
41-WJ0170-B00	WIRE BARE JUMPER 17MM	AI	1	J830				
41-WJ0175-B00	WIRE BARE JUMPER 17.5MM	AI	1	J004				
41-WJ0175-B00	WIRE BARE JUMPER 17.5MM	AI	2	J807	J831			
41-WJ0180-B00	WIRE BARE JUMPER 18MM	AI	1	R045				
41-WJ0190-B00	WIRE BARE JUMPER 19MM	AI	1	J217				
41-WJ0190-B00	WIRE BARE JUMPER 19MM	AI	1	J811				
41-WJ0195-B00	WIRE BARE JUMPER 19.5MM	AI	2	J828	J829			
41-WJ0200-B00	WIRE BARE JUMPER 20MM	AI	1	J803				
66-343730-0B0	HOLLOW RIVET 1.6X3.0XL3.2	AI	4	FOR T402				
66-343730-0B0	HOLLOW RIVET 1.6X3.0XL3.2	AI	2	FOR L412				
66-343730-0B0	HOLLOW RIVET 1.6X3.0XL3.2	AI	4	FOR T802				
66-343730-0B0	HOLLOW RIVET 1.6X3.0XL3.2	AI	2	FOR S801				
08-2135MH-MAN	ASS'Y - MAIN BD (HI)		1					
07-UV1355-BK2	TUNER UV1355-BK2(BG/HB/IEC/5V)	HI	1	TU101				
10-0FR104-EB1	DIODE FR104 (FAST RECOVERY)	HI	1	D830				
10-HER108-FBX	DIODE HER108	HI	2	D806	D831			
10-PC574J-DJ1	DIODE ZENER UPC 574J	HI	1	D102				
10-T3SB60-H73	DIODE T3SB60 BRIDGE RECTIFIER	HI	1	DB801				
10-TFR104-EB3	DIODE TFR104 (FAST RECOVER)	HI	1	D833				
11-SC2611-0A0	TRANSISTOR 2SC2611	HI	1	Q830				
13-000040-66P	IC 4066 (ANALOG SW.)	HI	1	IC603				
13-000L78-05S	IC L7805 CV 5V 1A (REGUALTOR)	HI	1	IC402				



13-00MC78-09S	IC MC7809C LINEAR +9V 1A	HI	1	IC401		
13-24C08C-B1P	IC 24C08CB1 EEPROM 8K ST	HI	1	IC001		
13-44608P-40P	IC MC44608P40	HI	1	IC801		
13-A8803C-PNP	IC TMPA8803CPN	HI	1	IC201		
15-00TLP6-21C	PHOTO COUPLER TLP621 (GRH)	HI	1	IC802		
18-EF0109-JGX	RES. FUS. 1 OHM 1W +/-5%	HI	3	R403	R405	R418
18-FF0103-JGX	RES. M.O. 10K OHM 1W +/-5%	HI	1	R410		
18-FF0122-JGX	RES. M.O. 1.2K OHM 1W +/-5%	HI	1	R441		
18-FF0123-JGX	RES. M.O. 12K OHM 1W +/-5%	HI	1	R408		
18-FF0221-JGX	RES. M.O. 220 OHM 1W +/-5%	HI	1	R336		
18-FF0560-JGX	RES. M.O. 56 OHM 1W +/-5%	HI	1	R108		
18-FG0129-JHX	RES. M.O. 1.2 OHM 2W +/-5%	HI	1	R313		
18-FG0153-JHX	RES. M.O. 15K OHM 2W +/-5%	HI	1	R404		
18-FG0153-JHX	RES. M.O. 15K OHM 2W +/-5%	HI	1	R837		
18-FG0229-JHX	RES. M.O. 2.2 OHM 2W +/-5%	HI	1	R407		
18-GG0109-JHX	RES WIRE ROUND 1 OHM 2W +/-5%	HI	1	R306		
18-GG0228-JHX	RES WIRE ROUND 0.22 OHM 2W 5%	HI	1	R620		
18-GG0228-JHX	RES WIRE ROUND 0.22 OHM 2W 5%	HI	1	R810		
18-GJ0103-KTX	RES. CEMENT 10K OHM 5W +/-10%	HI	1	R836		
18-GJ0223-KUX	RES. CEMENT 22K OHM 5W +/-10%	HI	1	R808		
18-GJ0332-JTX	RES. CEMENT 3.3K OHM 5W +/-5%	HI	1	R402		
18-KF0825-JGX	VOLTAGE RES. 8.2M OHM 1W +/-5%	HI	1	R812		
20-TR502H-5CX	TRIMMER B5K HORIZ TYPE	HI	1	VR830		
22-NTC479-XX0	NTC 4.7 OHM +/-18% NTC4.7D2-14	HI	1	RT802		
22-PTC200-XX1	PTC 20 OHM +/-20%	HI	1	RT801		
25-343460-M1X	CAP. ELEC 47 UF 160V +/-20%	HI	1	C835		
25-BCA102-M1X	CAP. ELEC 1000 UF 16V +/-20%	HI	1	C849		
25-BCA471-M1X	CAP. ELEC 470 UF 16V +/-20%	HI	1	C843		
25-BDA102-M1X	CAP. ELEC 1000 UF 25V +/-20%	HI	1	C308		
25-BDA471-M1X	CAP. ELEC 470 UF 25V +/-20%	HI	2	C217	C604	
25-BDG222-M1X	CAP. ELEC 2200 UF 25V +/-20%	HI	1	C832		
25-BEA100-M1X	CAP. ELEC 10 UF 35V +/-20%	HI	1	C812		
25-BEA221-M1X	CAP. ELEC 220 UF 35V +/-20%	HI	1	C302		
25-BEA471-M1X	CAP. ELEC 470 UF 35V +/-20%	HI	1	C413		
25-BJA470-M11	CAP. ELEC 47 UF 160V +/-20%	HI	1	C411		
25-BLA100-M1X	CAP. ELEC 10 UF 250V +/-20%	HI	1	C408		
25-BMJ221-M1X	CAP. ELEC 220 UF 400V +/-20%	HI	1	C806		



26-AGK221-KR1	CAP. CER 220PF 250V +/-10% R	HI	1	C830					
26-AIM103-KBX	CAP. CER 0.01 UF 500V +/-10% B	HI	2	C834	C805				
26-AKK221-KR4	CAP. CER 220 PF 1KV +/-10% R	HI	1	C833					
26-AMK102-KRX	CAP. CER 1000 PF 2KV +/-10% R	HI	1	C815					
26-APK471-KBX	CAP. CER 470PF 400VAC +/-10% B	HI	2	C803	C804				
26-ATK222-MEJ	CAP. CER 2200PF 400VAC +/-20%E	HI	1	C816					
27-AGQ394-J0X	CAP. M.PP 0.39UF 250V +/-5%	HI	1	C421					
27-ALR103-J0X	CAP. M.PP 0.01 UF 1.6KV +/-5%	HI	1	C402					
27-AQT224-MV3	CAP. M.PP 0.22UF 250VAC +/-20%	HI	2	C802	C801				
27-PBA224-J03	CAP. P.E 0.22UF 50V +/-5%	HI	1	C105					
27-RHQ563-J0X	CAP. PP 0.056 UF 400V +/-5%	HI	1	C410					
27-RJP472-J0X	CAP. PP 4700 PF 630V +/-5%	HI	1	C809					
34-A608K6-1BX	COIL CHOKE 0.6 UH +/-10%	HI	1	L402					
34-R101K2-1B3	COIL CHOKE 100 UH +/-10%	HI	1	L804					
35-139730-00X	FERR. BEAD BF60	HI	8						
35-139730-00X	FERR. BEAD BF60	HI	2	FOR D830					
35-139730-00X	FERR. BEAD BF60	HI	2	FOR D831					
35-139730-00X	FERR. BEAD BF60	HI	2	FOR D806					
35-139730-00X	FERR. BEAD BF60	HI	2	FOR D833					
36-284180-002	LINE FILTER TB1231 (LCL-2821)	HI	1	T801					
36-HDR001-XX1	TRANSFORMER HORIZ DRIVE	HI	1	T401					
36-LIN500-XX1	COIL LINEARITY 50 UH	HI	1	L412					
36-TRF048-XX0	TRANSFORMER CONV. BCK-4001-72A	HI	1	T803					
36-WID960-XX1	COIL WIDTH 96 UH	HI	1	L411					
45-OSC8M0-0Y0	CRYSTAL 8.0MHZ	HI	1	X001					
45-SAW296-6M0	SAW FILTER K2966M 38.9MHZ	HI	1	Z101					
45-TRA5M5-0Y0	CER TRAP TPS 5.5MHZ	HI	1	X203					
45-TRA6M5-0Y0	CER TRAP TPS 6.5MHZ	HI	1	X201					
46-10962W-02X	PIN BASE *2 TJC2-2A	HI	1	P801					
46-20598W-04X	PIN BASE *4 TJC1-4A	HI	1	P401 FOR DY COMMECTOR					
46-28559W-02X	PIN BASE *2 TJC1-2A	HI	1	P802					
46-33079W-02X	PIN BASE *2 TJC3-2A	HI	1	P601 FOR F.CAB(SPK)					
46-33079W-02X	PIN BASE *2 TJC3-2A	HI	1	P602 FOR F.CAB(SPK)					
46-33079W-06X	PIN BASE *6 TJC3-6A	HI	1	P904					
46-27733H-06X	HS 6P24 F/W 500 TJC3-6Y/SCN-6Y	HI	1	P201					
46-30615H-04X	HS 4P24 460 F/W TJC3-4Y/SCN-4	HI	1	P402					
48-231010-00X	SW. TACT VERT. (H=4MM L=6.4MM)	HI	5	S001	S002	S003	S004	S005	



48-231010-00X	SW. TACT VERT. (H=4MM L=6.4MM)	HI	1	S006		
48-256460-00X	SW. POWER SDDF3 (PCB MOUNTING)	HI	1	S801		
64-P30060-104	M/C SCREW 3 X 6 (ZINC)	HI	1	FOR IC401		
64-P30060-104	M/C SCREW 3 X 6 (ZINC)	HI	1	FOR IC402		
66-20516X-0B0	FUSE HOLDER	HI	2	FOR FUSE		
67-H24249-2M2	HEAT SINK	HI	1	FOR IC401		
67-H24249-2M2	HEAT SINK	HI	1	FOR IC402		
90-269080-000	CLEAN COATING TC-131L 14KG/BAR	HI	0.0001			
08-2135MH-MAN	ASS'Y - MAIN BD SKD		1			
02-270090-002	IR RECEIVER MODULE HS0038A2	S	1	IR001		
11-DD1555-0A2	TRANSISTOR 3DD1555 (HORIZ)	S	1	Q402		
11-SK3298-0AX	TRANSISTOR 2SK3298 (MOS)	S	1	Q801		
13-LA7840-00S	IC LA7840	S	1	IC301		
13-TDA705-7AS	IC TDA7057AQ (R/L AUDIO O/P)	S	1	IC601		
14-255670-LRX	LED HFR105 (5MM)	S	1	D051		
37-BSC250-2111X	FLYBACK BSC25-0273F	S	1	T402		
47-271260-004	Y/C SOCKET DSW-14	S	1	P902		
47-RCA040-XX0	RCA SOCKET AV-3.2-9W-H	S	1	P901		
50-03150D-10X	FUSE 3.15AT 250V 5 X 20MM	S	1	F801		
62-226920-0HA	LED HOLDER	S	1			
64-B30100-104	M/C SCREW B 3 X 10	S	1	FOR Q801		
64-P30100-104	M/C SCREW P 3 X 10	S	2	FOR IC601		
64-P30100-104	M/C SCREW P 3 X 10	S	1	FOR Q402		
64-P30100-104	M/C SCREW P 3 X 10	S	1	FOR IC301		
65-Z3005X-23M	NUT M 3	S	1	FOR IC301		
65-Z3005X-23M	NUT M 3	S	1	FOR Q402		
67-H30752-3A0	HEAT SINK	S	1	FOR IC301		
67-H30752-3A0	HEAT SINK	S	1	FOR Q402		
67-H34410-1A0	HEAT SINK	S	1	FOR Q801		
67-H34423-4A0	HEAT SINK	S	1	FOR IC601		
70-271510-00A	SERVICE CARD	S	1			
71-270870-0A9	LABEL	S	2			
71-DYP000-WX1	LABEL	S	1	STICK NO H.SINK(Q801)		
90-209770-000	SILICONE GREASE G-746 (1KG/CAN)	S	0.0006			
08-2135MH-CRY	ASS'Y - CRT BD (AI)		1			
18-CB0101-JNX	RES. C.F. 100 OHM 1/6W +/-5%	AI	3	R501	R504	R507
18-CB0104-JNX	RES. C.F. 100K OHM 1/6W +/-5%	AI	1	R521		



18-CB0471-JNX	RES. C.F. 470 OHM 1/6W +/-5%	AI	4	R503	R506	R509	R513
18-CB0472-JNX	RES. C.F. 4.7K OHM 1/6W +/-5%	AI	3	R502	R505	R508	
18-CD0153-JNX	RES. C.F. 15K OHM 1/4W +/-5%	AI	3	R510	R511	R512	
18-CE0272-JNX	RES. C.F. 2.7K OHM 1/2W +/-5%	AI	3	R514	R515	R518	
40-02135S-CRD	P.C.B CRT BD	AI	1				
41-WJ0075-B00	WIRE BARE JUMPER 7.5MM	AI	2	J502	J503		
41-WJ0100-B00	WIRE BARE JUMPER 10MM	AI	2	J501	J504		
08-2135MH-CRY	ASS'Y - CRT BD (HI)		1				
11-0BF422-0B1	TRANSISTOR BF422	HI	5	Q501	Q502	Q503	Q504 Q506
11-0BF422-0B1	TRANSISTOR BF422	HI	1	Q508			
11-0BF423-0B1	TRANSISTOR BF423	HI	3	Q505	Q507	Q509	
18-FF0221-JGX	RES. M.O. 220 OHM 1W +/-5%	HI	3	R517	R519	R520	
25-BCB221-M1X	CAP. ELEC 220 UF 16V +/-20%	HI	1	C508			
26-ABC103-ZFX	CAP. CER 0.01 UF 50V +80-20% F	HI	2	C514	C507		
26-ABC181-JZX	CAP. CER 180 PF 50V +/-5% SL	HI	3	C510	C511	C512	
26-ABC331-JZX	CAP. CER 330 PF 50V +/-5% SL	HI	3	C501	C502	C503	
26-AIM103-KBX	CAP. CER 0.01 UF 500V +/-10% B	HI	1	C504			
26-AMK102-KBX	CAP. CER 1000 PF 2KV +/-10% B	HI	1	C505			
35-139730-00X	FERR. BEAD BF60	HI	1	L505 (FOR C514)			
35-139730-00X	FERR. BEAD BF60	HI	1	L506 (FOR C514)			
46-10967W-01X	PIN BASE *1 TJC1-1A	HI	1	P503			
46-33079W-06X	PIN BASE *6 TJC3-6A	HI	1	P501 TO M.BD P201			
46-35179W-04X	PIN BASE TJC3-4A	HI	1	P502 TO M.BD P402			
47-265540-0U7	SOCKET CRT GZS10-2-4 (C.B.)	HI	1	FOR CRT			
08-2135MH-SIY	ASS'Y - SIDE AV BD		1				
40-2135MU-SIA	P.C.B. SIDE AV BD	HI	1				
46-30790H-06X	HS 6P24 400 TJC3-6Y/SCN-6Y	HI	1	P1104B FOR M.BD			
47-RCA022-XX0	RCA SOCKET	HI	1	P1101			
08-2135MH-FCN	ASS'Y - FRONT CABINET		1				
02-271360-00X	ASS'Y CRT GND WIRE & HOUS 21"		1				
36-DEG210-XX3	DEGAUSSING COIL 2500MM		1				
42-51208E-XX0	SPEAKER 50MMX120MM 8 OHM 6W		2	W601	W602		
44-21OFLN-SZ1A	CRT A51KQK99X01 (ASCH)		1	CRT01			
46-14026H-02X	HS 2P24 570/7 F/W S11-02H		1	P601H FOR M.BD			
46-27688H-04X	HS 4PA/B 400/13 RBGW TJC1/4Y		1	FOR DY COIL			
46-35196H-02X	HS 2P22 570/7 TJC3-2Y		1	P602H FOR M.BD			
51-GC0220-0HB01	POWER CORD 2.2M TJC1-2Y		1				



54-205140-000	SPACER CRT MOUNTING T=2MM	4	MTG CRT & F.CAB
54-314740-0X0	CRT FIBRE SHEET T=0.8MM	4	MTG CRT & F.CAB
55-2135FC-0CN9A	FRONT CABINET	1	
56-2135FB-0HAAC	PUSH BUTTON	1	
56-2135LS-0HCAA	LENS	1	
56-2135PK-0HAAC	POWER KNOB	1	
56-360670-0HAAC	DECORATIVE LENS	1	
58-2135SI-2UIAB	INLAY SIDE AV	1	
59-130460-00X	RUBBER PAD (25MMX7MM)	2	FOR FOOTING
62-10654X-00F	UNI - TIE (2.5MMX95MM)	10	
62-227680-0UA	HOLDER CABLE FOR FBT (2)	1	
62-216340-0UA	HOLDER POWER CORD	1	
62-312090-0HA	ADAPTER-POWER KNOB (NEW PCB)	1	
62-345690-0UN	ATTACHMENT RAIL	1	FOR M.BD TRACK(F.CAB)
63-B30100-AB4	S/T SCREW B 3 X 10 AB	3	MTG PUSH BUTTOM & F.CAB
63-B30100-AB4	S/T SCREW B 3 X 10 AB	1	MTG LENS & F.CAB
63-H60250-AB4	S/T SCREW H 6 X 25 AB	4	MTG CRT & F.CAB
63-W30100-AB4	S/T SCREW W 3 X 10 AB	2	MTG M.BD TRACK & F.CAB
63-W30100-AB4	S/T SCREW W 3 X 10 AB	8	MTG SPK & F.CAB
63-W30100-AB4	S/T SCREW W 3 X 10 AB	2	MTG SIDE AV BD & F.CAB
65-A6020X-20E	WASHER 6 X 20 X 2MM	4	MTG CRT & F.CAB
67-126680-0E0	SPRING CRT 6MMX40MMX0.5MM	1	
67-228980-0E0	SPRING - KNOB	1	
90-266360-000	INSULATING GREASE KS650N	0.002	FOR CRT ANODE
08-2135MH-PAN	ASS'Y - PACKING	1	
49-267710-BAT	BATT. AASIZE 1.5V (5# CARBON)	2	
62-377580-0HD	SAFEGUARD SLEEVE	2	
70-TV0000-B02	WARRANTY CARD	1	
70-TV0000-W02	SERVICE INDEX	1	
71-TV0000-H02	QA PASS	1	
72-2135MH-E129A	OPERATION MANUAL	1	
74-022032-6WE	POLYBAG (22CMX32CMX0.06MM)	1	FOR OPERATION MANUAL
74-104097-3WD	POLYBAG (104CMX97CM)	1	
75-2135LL-CC0	POLYFOAM (LL)	1	
75-2135LR-CC0	POLYFOAM (LR)	1	
75-2135UL-CC0	POLYFOAM (UL)	1	
75-2135UR-CC0	POLYFOAM (UR)	1	



76-A2135S-0AT	CARTON BOX	1	
89-26772S-000AA	PACKING TAPE (TCL) 7.2CMX30M	0.028	
89-26772S-000AB	TRANSPARENT PACKING TAPE 7.2CM	0.028	
08-2135MH-RCN	ASS'Y - REAR CABINET	1	
54-114000-00X	FELT TAPE 150X19MM	7	STICK ON REAR CAB.
55-2135RC-0CNAC	REAR CABINET	1	
58-2106RI-BUI9A	INLAY REAR AV	1	
58-2135MP-JKT9A	PLATE MODEL NO.	1	
62-314340-0UN	FBT SUPPORTER	1	
62-345700-0UN	ATTACHMENT RAIL	1	M.BD TRACK(R.CAB)
63-B40200-AB3	S/T SCREW B 4 X 20 AB	6	MTG F.CAB & R.CAB
63-F30100-BT3	S/T SCREW F 3 X 10 BT (BLACK)	2	MTG RCA JACK & R.CAB
63-W30100-AB4	S/T SCREW W 3 X 10 AB	2	MTG M.BD TRACK & R.CAB
63-W30120-AB3	S/T SCREW W 3 X 12 AB	2	MTG SUPPORTOR & R.CAB



PART XI. Safety & EMC Components

In order to guarantee the safety & EMC of the product, ensure to replace the following components with ones that have the same type and specification.

Safety Components

No.	Name	Location No.
1.	Isolating Resistor	R812
2.	Isolating Capacitor	C816
3.	Degaussing Coil	L803
4.	Switch Transformer	T803
5.	Flyback Transformer	T402
6.	Socket CRT	S501
7.	Fuse	F801
8.	Power Switch	S801
9.	PCB	
10.	Rear Cabinet	
11.	Power Cord	
12.	CRT	

EMC Components

No.	Name	Location No.
1	Tuner	TU101
2	Rectifier Diode	DB801
3	Power Filter	T801
4	SAW Filter	Z101、Z1101
5	Switch Transformer	T803
6	Ferrite Bead	L805

