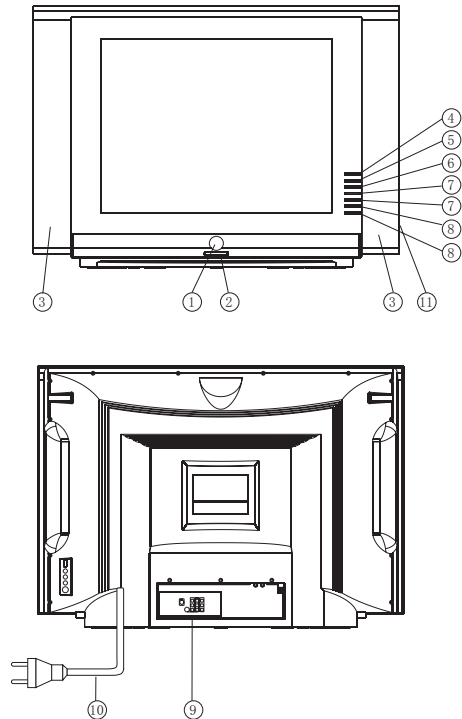


Control Location

CONTROL PANEL BUTTONS

1. Power Button
2. Power Indicator & Remote Sensor
3. Speakers
4. Standby Button
5. AV/TV Button
6. Menu Button
7. Volume Down/Up Button
8. Channel Down /Up Button
9. Video In2(Optional)
AV Out(Optional)
YUV(Y,Cb,Cr)In (Option)
S-Video In (Option)
Antenna Input Socket (75 ohm)
10. AC Power Cord
11. Side Video In(Optional)



Power Connection

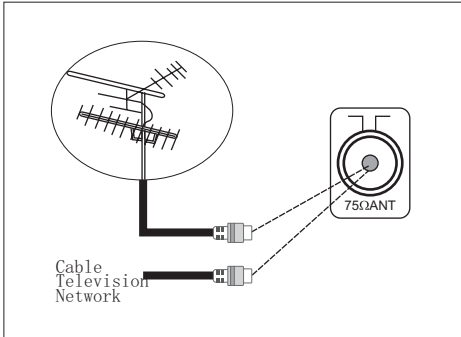
Only use the adaptor supplied with this product, connect the AC plug to the socket at the back of the TV. This TV must be operated only from the type of power source indicated on the marking label (AC 90-260V 50/60 Hz).

Rear View of the TV Set

Video And Audio Input/ Output Terminals

Control Location

Connecting the Aerial(or Cable Television Network)

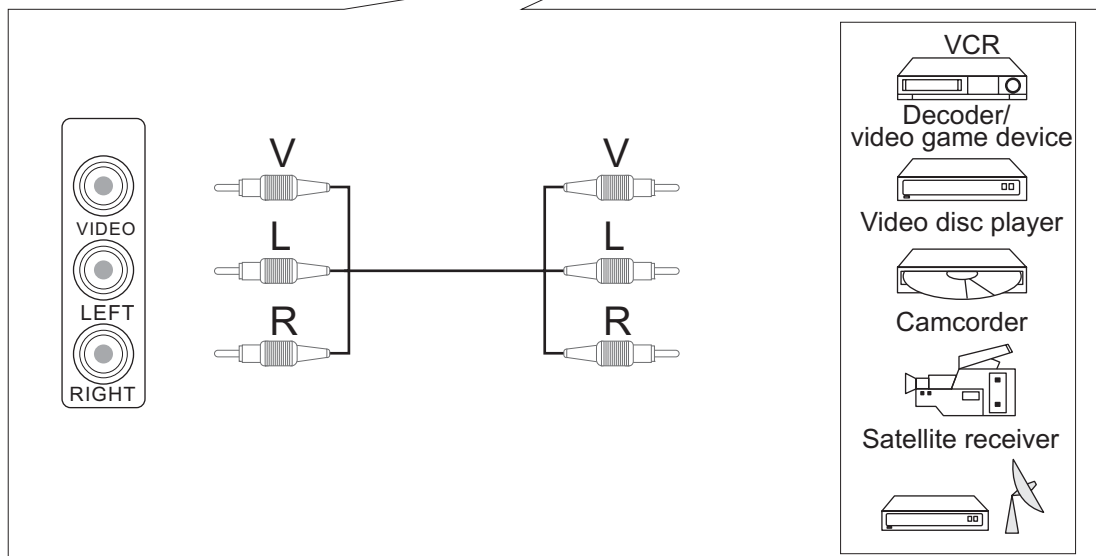
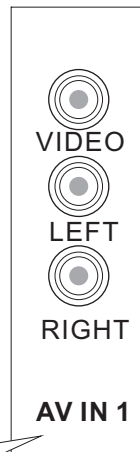


To view television channels correctly, a signal must be received by the set from one of the following sources:

- *An outdoor aerial
- *A cable television network

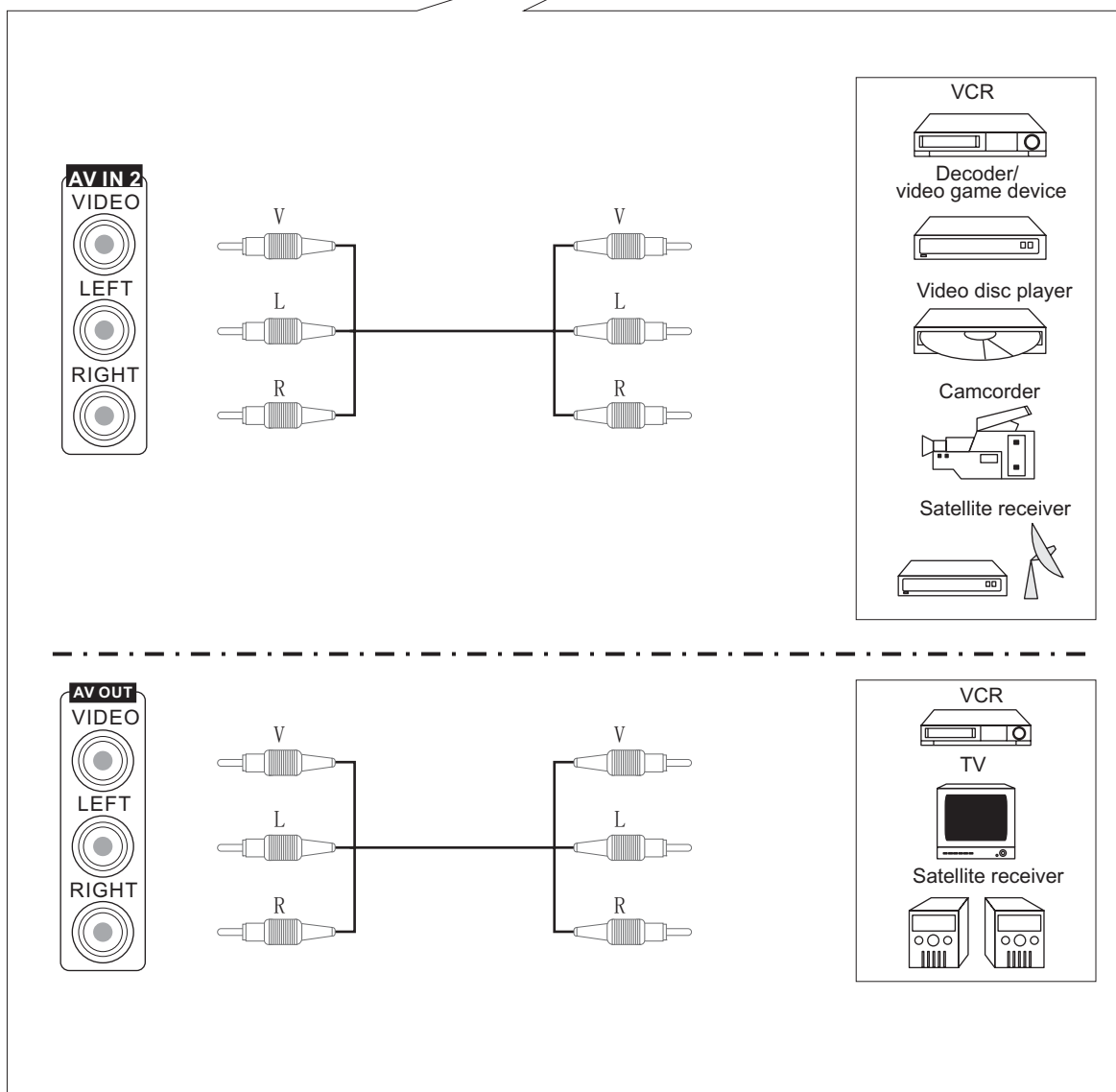
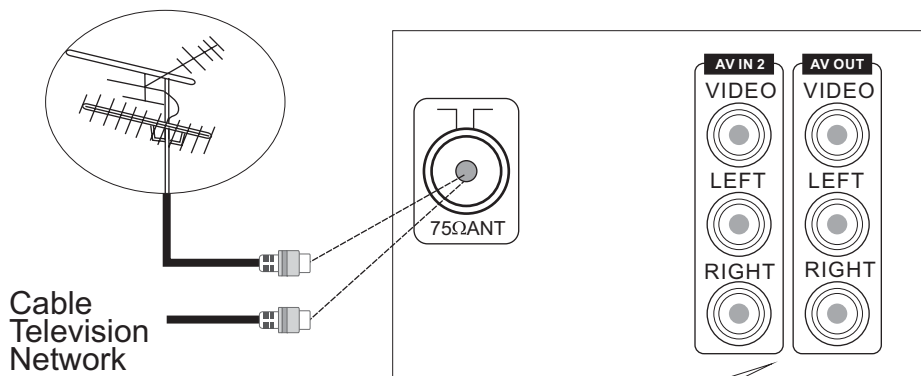
Plug the aerial or cable network input cable to the 75Ω coaxial socket on the rear of the television.

Front(or side) Audio/Video Input



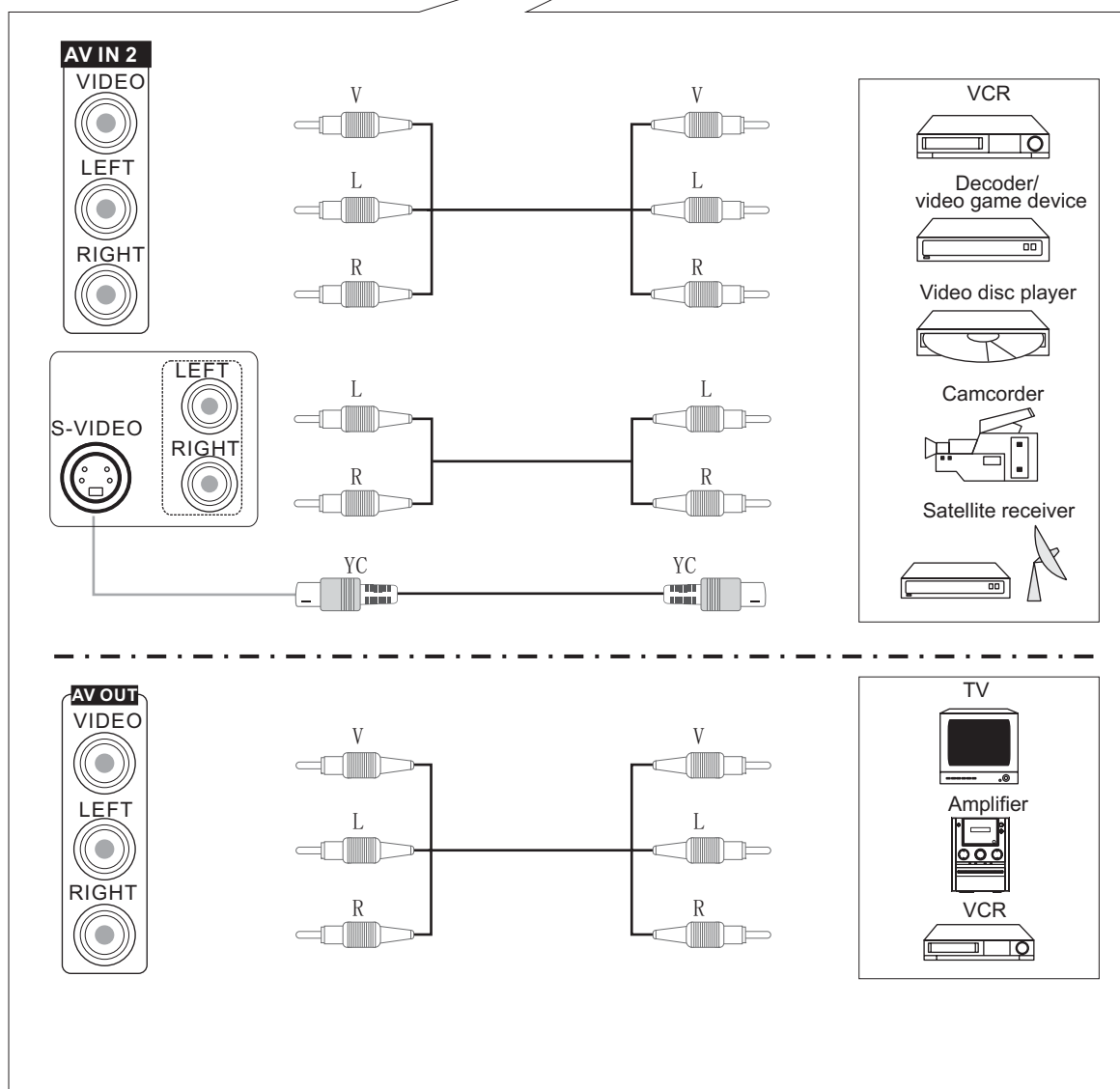
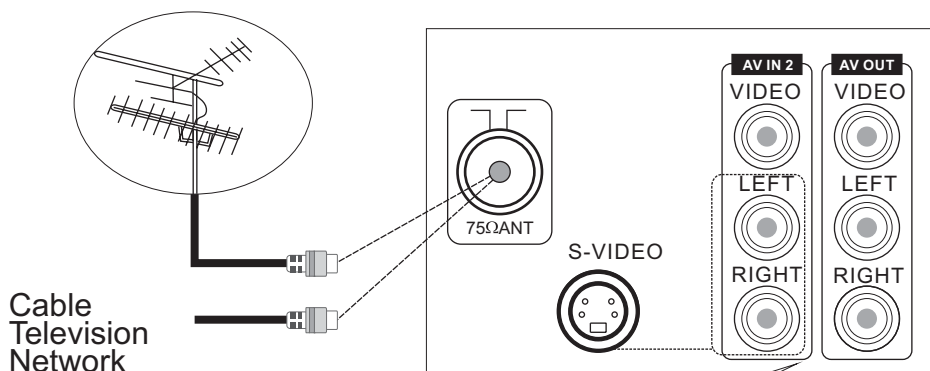
Input and Output Terminals

Connecting to the Audio/Video Input/Outputs



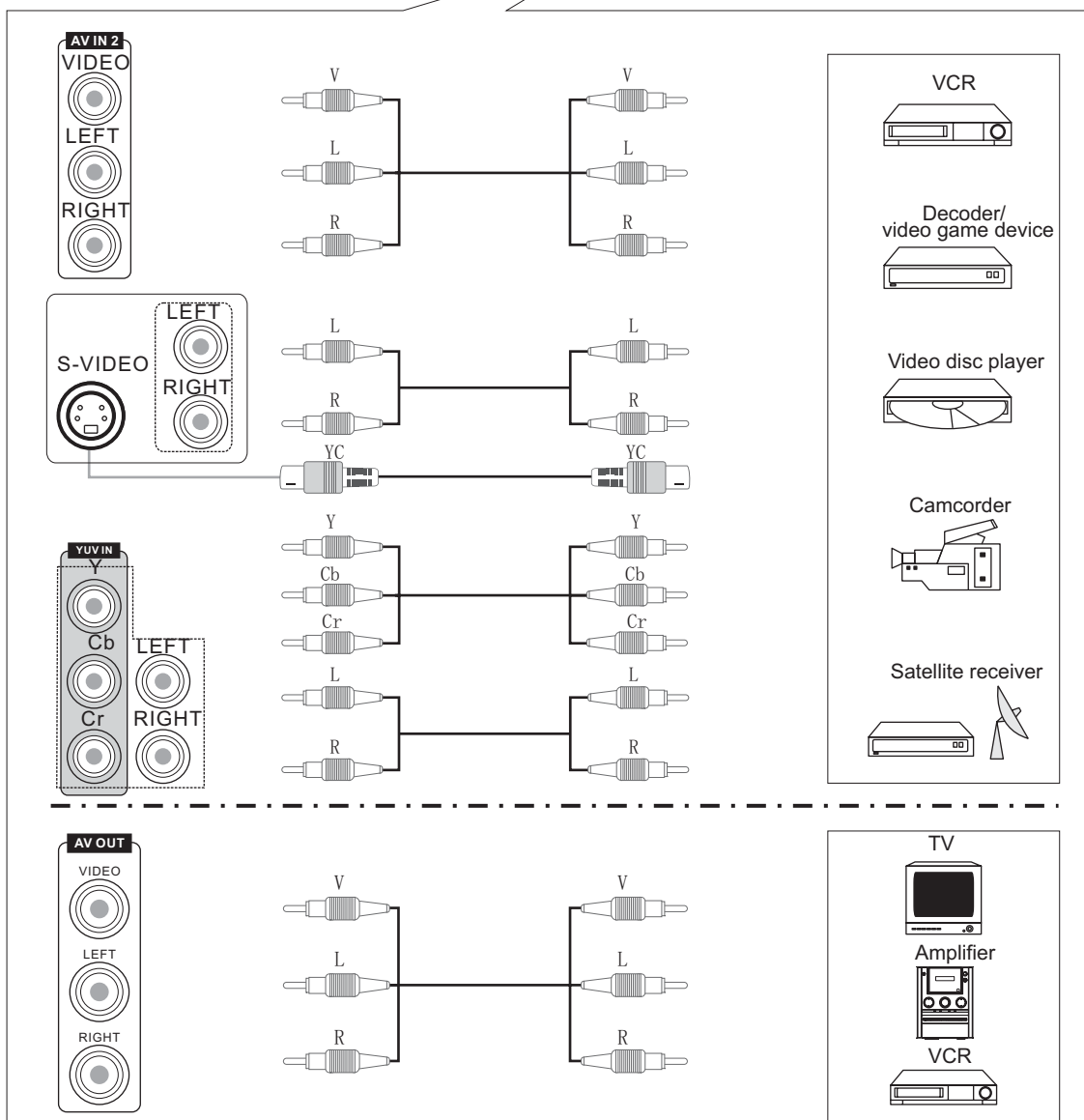
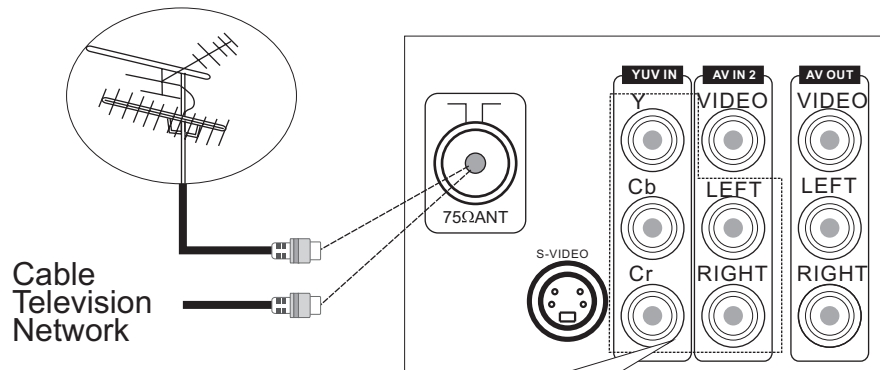
Input and Output Terminals

Connecting to the Audio/Video Input/Outputs



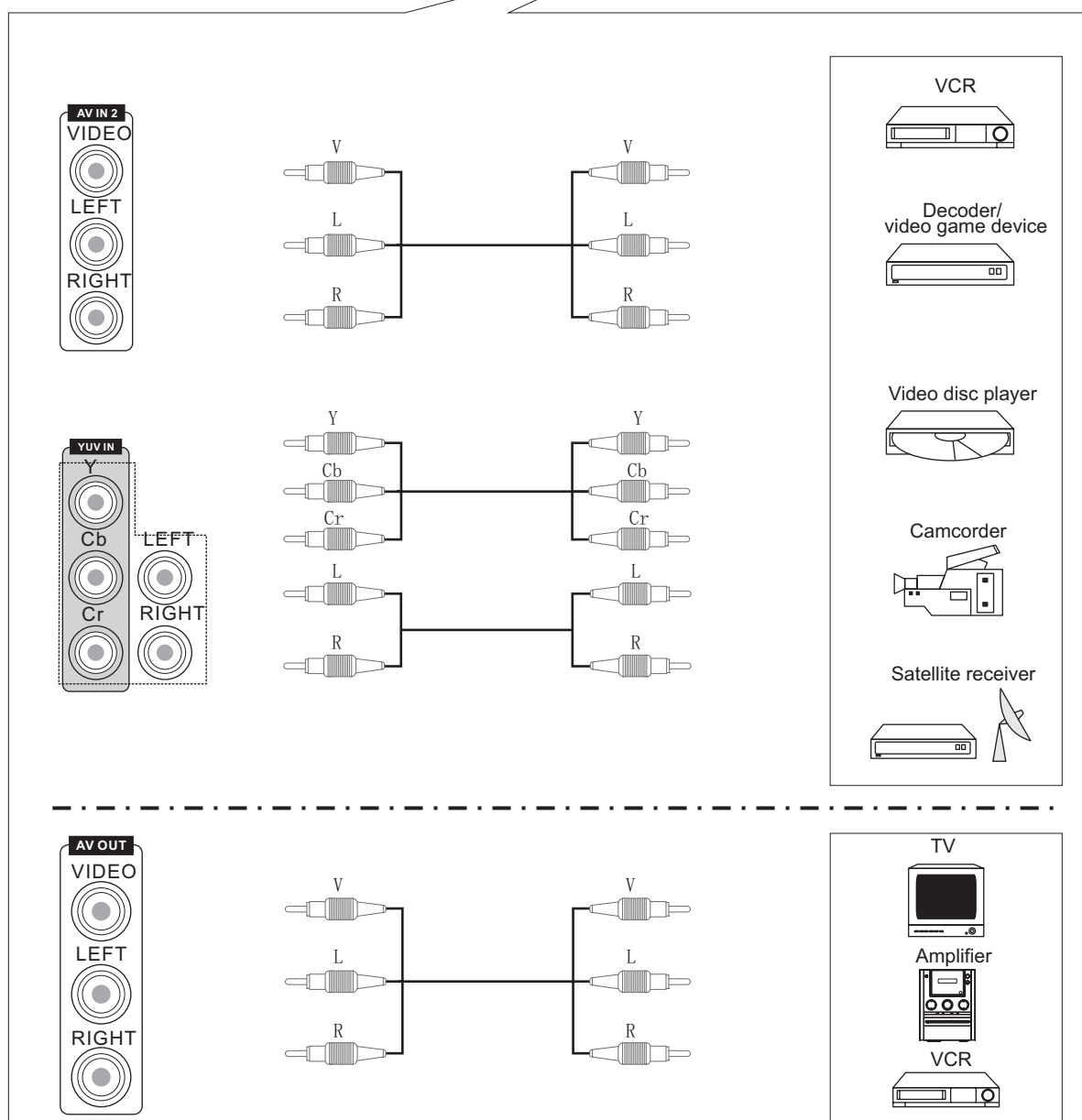
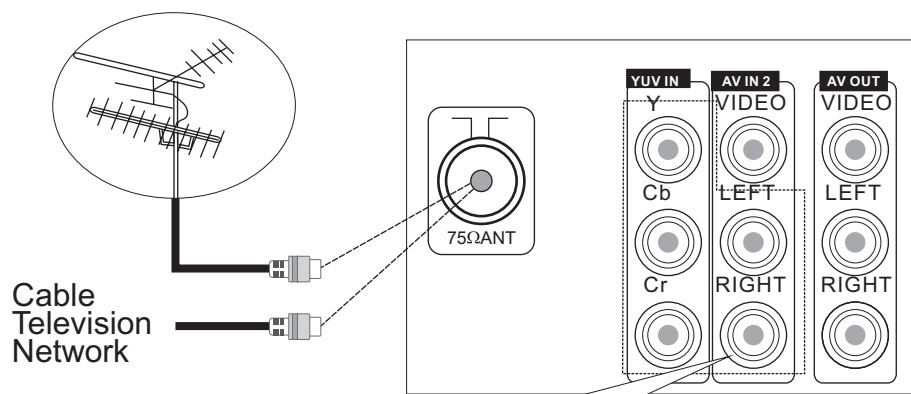
Input and Output Terminals

Connecting to the Audio/Video Input/Outputs



Input and Output Terminals

Connecting to the Audio/Video Input/Outputs



Input and Output Terminals

PERIPHERAL EQUIPMENT CONNECTIONS

There is a wide range of audio and video equipment that can be connected to your TV. Connection diagrams at the end of this section show you where the different equipment should be connected at the backside of the TV.

Aerial socket

1. Connect the RF out socket of the VCR to the aerial socket on the back of the set.
2. Connect the aerial cable to the RF aerial in socket of the VCR.
3. Select the program number where the VCR channel is stored.
4. Press the PLAY button on the VCR.

Audio/ Video in sockets

1. Connect the audio/video out sockets of the VCR to audio/video in sockets of the set.
2. Press the AV/TV button to select AV.
3. Press the PLAY button on the VCR.

The VCR playback picture appears on the screen.

Precautions when connecting to other equipments

When using external equipment with this TV, please read the instruction manual of the external equipment.

Switch off all power supplies to the equipment and TV before connection.

Always ensure that the input and output terminals are correctly connected..

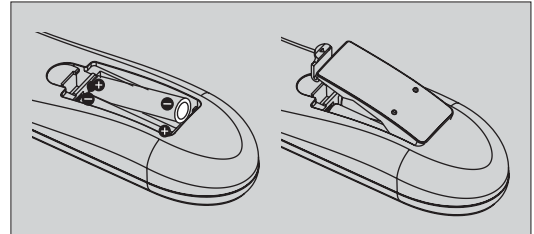
Operation Instructions

USING THE REMOTE CONTROL

Batteries

Please follow the below instructions to install the supplied batteries into the remote control to make it operate.

1. Remove the battery cover.
2. Insert two 1.5V (AAA size) batteries making sure The polarity (+ or -) of the batteries matches the polarity marks inside the unit.
3. Replace the battery cover.



Precautions when using batteries

Do not use old and new batteries together.

Do not use different types of batteries (for example, Manganese and Alkaline batteries)

- together.

Note that there are chargeable and non-chargeable batteries. Do not attempt to charge

non-chargeable batteries.

- If the remote control unit is not used for a long period of time, remove the batteries

Precautions when using the remote control unit

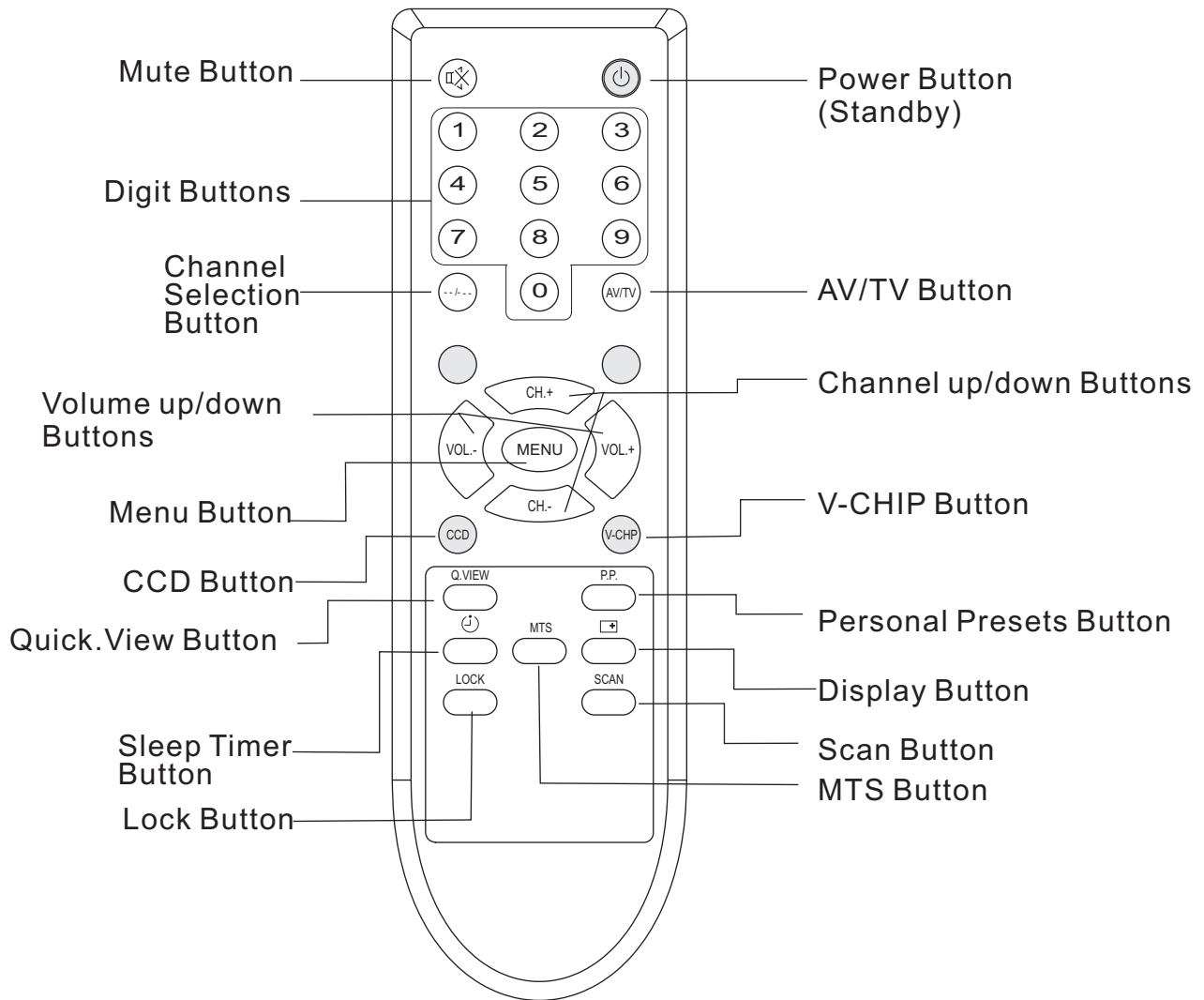
- Do not drop the remote control unit.
- Do not subject the remote control unit to physical shocks.
- Keep the remote control unit dry. Wetting it may cause the unit to malfunction.

Replace the batteries with new ones when operation of the unit deteriorates.

NOTE: If there is an object between the remote control and the signal remote

Operation Instructions

REMOTE CONTROL BUTTONS



Operation Instructions

Remote Control Buttons

1. POWER (STANDBY) BUTTON (⏻)

Press this button to turn the TV on/off. Press any Number Button or Program Up/Down Button will also switch on the TV from standby mode.

2. MUTE BUTTON (🔇)

Press this button to temporarily cut off the sound output, press it again to restore the sound level.

3. DIGIT BUTTONS (0-9)

If you want to select 0~99 program channel ,please press the digits buttons to enter the program channel directly.

If your want to select 100-125 program channel, please press "--/---" button until display "1--" on the top right screen, then enter the two latter program channel number.

AIR Channel: 2-69

CATV Channel: 1-125

4. AV/TV BUTTON (AV/ TV)

Inputs can be set for TV or AV mode. Press this button to display external video signal such as DVD, VCR or VCD video player. AV will be displayed on the screen. Press this button again to switch back to TV signal from AV.

5. CHANNEL UP/DOWN BUTTONS (CH. +/-)

Press the Channel Up Button to select the channel forwards.

Press the Channel Down Button to select the chqnnel backwards.

6. VOLUME UP/DOWN BUTTONS (VOL. +/-)

Press Volume +/- Buttons to adjust sound level.

7. MENU BUTTON (MENU)

Press "MENU" button to display the OSD (On-Screen Display) menu for adjusting the image, sound and functions. Pressing this button again to out from the OSD.

Please refer to page 16- 21 for the details.

Operation Instructions

8. PERSONAL PRESETS BUTTON (P.P.)

You can select USER, STANDARD, SOFT or RICH mode by pressing this button.

9. QUICK VIEW BUTTON (Q.VIEW)

Press this button to return to the previously viewed channel.

10. DISPLAY BUTTON (□+)

Press this button sequentially to display the current channel number, color system and sound system on the screen.

11. SLEEP TIMER BUTTON (⌚)

Press the "Sleep Timer" button on your remote control to start setting the automatic sleep timer. Press the button to adjust the time in increments of 30 minutes, from 0 to 180 minutes. When the preset time runs to 0, TV set will go into standby mode. To switch off this function, press this key step by step until " OFF" is displayed on the screen.

- If you do not set the time, " --:--" will display on the screen

12. LOCK BUTTON

The TV set can provide the locked key for control or prevent your children from watching the channel.

SETTING UP THE CHILD LOCK FUNCTION:

Press the "LOCK" button on remote control unit. The key locked symbol(🔒) will be displayed on the screen for five seconds and entered into the child locked mode. While in Lock mode, any keys on the TV set will be disabled. Except the key on the Remote control

RELEASE CHILD LOCK:

Press again the "LOCK" button on the remote control unit to cancel this function.

13. SCAN BUTTON

Press the SCAN button to automatically browse every channel which you have stored.

14. V-CHIP BUTTON

When V-Chip function turned "ON" in the Features Menu you can press the V-Chip button to go to the V-Chip menu. When V-CHIP in "OFF" mode, the V-Chip button on the remote control will be disabled.

For the V-CHIP MENU function, please refer to page 17 for the details.

Operation Instructions

15. CLOSE CAPTION DISPLAY BUTTON (CCD)

Closed-Captions aim to describe all significant audio content, as well as "non-speech information," such as the identity of speakers and their manner of speaking. Press this button to select the Closed-Caption Display Mode:

C1 → C2 → C3 → C4 → TEXT1 → TEXT2 → TEXT3 → TEXT4 → OFF.
↑

16. MTS (Multichannel Television Stereo) (OPTION)

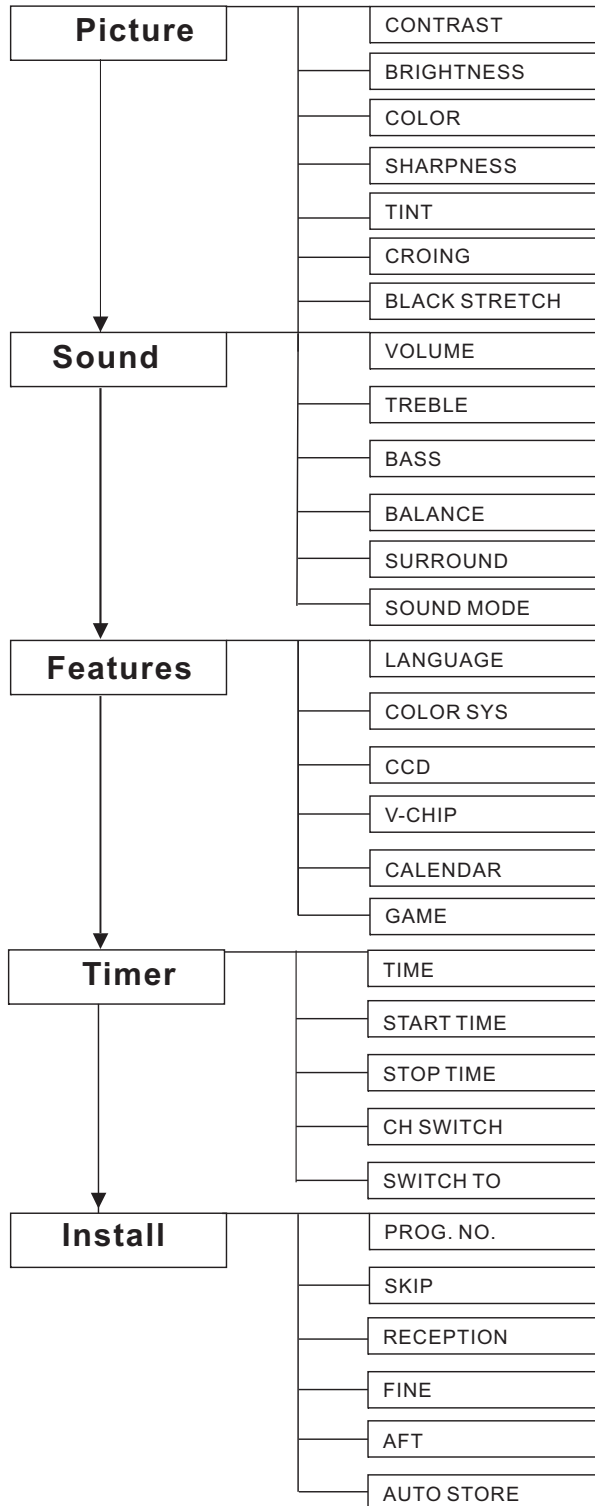
You can select the required sound effect by pressing this MTS button to choose between Mono, Stereo, or separate Audio Program (SAP broadcast).

Operation Instructions

MENU SYSTEM

This TV allows you to adjust the settings from the menu screens.

** In the AV mode, menus appear the same as in TV mode except the install menu.*



Operation Instructions

Press the "MENU" button to enter the menu screens for the following settings.

PICTURE Menu -> SOUND Menu (option) -> FEATURES Menu -> TIMER Menu -> INSTALL Menu -> EXIT

-Select the desired item using the CH. + / - Buttons.
-Use the VOL. +/- buttons to adjust the item settings.

The item selected will be highlighted in red

* The menu screen will time out automatically after few seconds if it is left idle on the screen.

Picture Menu

PICTURE	
CONTRAST	55
BRIGHTNESS	55
COLOR	55
SHARPNESS	50
TINT	00
CORING	ON
BLACK STRETCH	ON

You can select CONTRAST, BRIGHTNESS, COLOR, SHARPNESS, and TINT items by pressing CH. +/- Buttons, and pressing the VOL. +/- Buttons to adjust the item of which you selected.

1.CONTRAST

Press the VOL. + / - buttons to enhance or reduce the contrast between objects and the background from "00" to "100".

2.BRIGHTNESS

Using the VOL. + / - buttons to adjust the lightness and darkness of the picture from "00" to "100".

3.COLOR

Press the VOL. + / - buttons to increase or decrease the color saturation from "00" to "100".

4.SHARPNESS

Adjust the outline of objects to either sharpen or more dull from "00" to "100".

5. TINT (NTSC Only)

Adjust the color of objects from "50" to "+50", making them more red or green for a more natural look.

6. CORING(Optional)

You can select to turn ON or OFF the CORING.

7. BLACK STRETCH(Optional)

You can select to turn ON or OFF the BLACK STRETCH.

Operation Instructions

Sound Menu

SOUND	
VOLUME	51
TREBLE	00
BASS	00
BALANCE	00
SURROUND	OFF
SOUND MODE	STANDARD

1.VOLUME

Press VOL +/- buttons to adjust the Volume between "00" and "100".

2.TREBLE

Press VOL +/- buttons to adjust desired Treble volume of sound Between "00" and "100".

3.BASS

Press VOL +/- buttons to adjust desired Bass volume of sound between "00" and "100".

5.SURROUND

You can select to turn ON or OFF the Surround.

4.BALANCE

Press VOL +/- buttons to adjust the Balance between "-50" and "+50".

6.SOUND MODE

Press VOL +/- buttons to select the Sound Mode to STANDARD, MUSIC, THEATER, USER.

Features Menu

FEATURES	
LANGUAGE	ENGLISH
COLOR SYS	AUTO
CCD	OFF
V-CHIP	ON
CALENDAR	
GAME	

1.LANGUAGE

You can change menu language in this item. Press VOL. +/- Buttons to select your desired language. All the on screen displays will appear in the selected language.

2.COLOR SYS

Press VOL +/- buttons to change the color system to AUTO, PAL-M, PAL-N NTSC.

3.CCD (Close Caption Display)

Closed captioning allows persons with hearing disabilities to have access to television programming by displaying the audio portion of a television program as text on the television screen. Set the closed-caption OFF or display C1, C2, C3, C4, TEXT1, TEXT2, TEXT3 and TEXT4. You can also set up this function by using the remote control unit.

4.V-CHIP

The V-chip is a technology that allow viewer to block television programming that they do not want children to watch. Most television programs now include a rating, as established by the broadcasting industry. This rating is encoded into the programs, and the V-chip technology reads the encoded information and blocks shows accordingly. Using the remote control, parents can program

Operation Instructions

the V-chip to block certain programs based on their ratings. If you lose your remote or need help programming the V-chip, contact the manufacturer of your television for a replacement or operating instructions.

Ratings appear in the corner of your television screen during the first 15 seconds of each television program. There are six ratings that a program can receive:

- TV-Y** (All Children): found only in children's shows, means that the show is appropriate for all children;
- TV-7** (Directed to Older Children): found only in children's shows, means that the show is most appropriate for children age 7 and up;
- TV-G** (General Audience): means that the show is suitable for all ages but is not necessarily a children's show;
- TV-PG** (Parental Guidance Suggested): means that parental guidance is suggested and that the show may be unsuitable for younger children (this rating may also include a V for violence, S for sexual situations, L for language, or D for suggestive dialog);
- TV-14** (Parents Strongly Cautioned): means that the show may be unsuitable for children under 14 (V, S, L, or D may accompany a rating of TV-14); and
- TV-MA** (Mature Audience Only): means that the show is for mature audiences only and may be unsuitable for children under 17 (V, S, L may accompany a rating of TV-MA).

Press VOL +/- buttons on the remote control unit to enter the password to activate the V-CHIP function. When V-CHIP turned on, you can press the V-CHIP button directly on the remote control unit to enter into the menu of V-CHIP. If V-CHIP in OFF mode, the V-CHIP button on the remote control unit will not function.

Setting up new password:

In the TV Menu, press the CH. +/- to select the V-CHIP function under the Features Menu. Press VOL +/- buttons to turn on the V-CHIP function, "*****" will be displayed in the left bottom corner of the screen. Enter a new four-digit password, it will be used to turn on/ off the V-CHIP function in the future.

Operation Instructions

Change the password:

Follow the same steps as the setting up new password. It must be in " OFF" mode of the V-CHIP function.

Master Password:

If you turn on the V-Chip function but failed to remember the password, you can enter the Master Password " 1980" to enter into the V-Chip menu.

MPAA Rating

The MPAA film rating system is a system used in the United States and territories and instituted by the Motion Picture Association of America to rate a movie based on its content, being used to decide which movies may be appropriate for children and/or adolescents.

The current MPAA movie ratings consist of:

Rated G General Audiences

a. Rated PG Parental guidance suggested

b. Rated PG-13 Parents strongly cautioned

c. Rated R Restricted. Under 17 requires accompanying parent or legal guardian.

d. Rated NC-17 & X No 17 and under admitted. Also called Youth Restricted Viewing.

-Press the V-Chip button to go to the MPAA Rating menu. Press " CH. +/-" and " Menu" buttons to select.

-Press the V-Chip button again to return.

CAN. ENG-RATING (Option)

For Canadian English language Rating System, the following seven Ratings are available.

E	: Exempt
C	: Children
C8	: Children eight years and older
G	: General programming, suitable for all audiences
PG	: Parental Guidance
14	: Viewers 14 years and older
18	: Adult Programming

Select each item by the PROG. +/- buttons, confirm each item the MENU Buttons.

CAN. FRN-RATING (Option)

E	: Exemptes
G	: General , ,
8A	: General - Deconseille aux jeunes enfants
13A	: Cette emission peut ne pas convenir aux enfants de moins de 13 ans
16A	: Cette emission ne convient pas aux moins de 16 ans
18A	: Cette emission est reservee aux adultes

Operation Instructions

1. Calendar (Option)

- Press VOL +/- button to enter into Calendar menu.
- Press CH. +/- buttons to select Year, Month and Date. Press VOL +/- button to adjust the value.
- Press " MENU" button again to return.

2. Game Catching Coin (Option)

Game Rules: Six kinds of bag will drop down, include moneybag, coin, snowflake, umbrella, heart and bomb. If you catch the moneybag and coin, ten points and five points will be received respectively. After entering the game, press "VOL.+" and "VOL. -" to shift the figure from left to right and vice versa. If you want to pause the game, please press "Q.VIEW" button, and if you want to quit the game, please press the "DISPLAY(☐)" button.

- If you catch a bomb, the figure will turn to red and the game will over.
 - If you catch a heart, the figure will change to purple, which last for five seconds, and at this time, even you catch a bomb, the game will go on.
- The game goes up a level in every three minutes. If the level is higher, the drop speed of bags would become more quicker.

Timer Menu

TIMER	
TIME	--:--
START TIME	--:--
STOP TIME	--:--
CH SWITCH	--:--
SWITCH TO	--

1. TIME

To adjust the current time by this item. Press the " VOL. -" button to set hour, and the " VOL. +" button to set minute.

2. START-TIME

To set the time when the TV set to turn on automatically.

3. STOP-TIME

To set the time when the TV set to turn off automatically.

4. CH SWITCH

To preset the time that the TV will switch to the selected channel (Position) automatically.

5. SWITCH TO

To set the program that will switch automatically at the CH SWITCH.

Operation Instructions

NOTE: All the timer functions will only be effective if the power of the TV set is switched off using the remote control unit. If the power is switched off by the power button on the TV set or a power failure occurs, the timer will be reset.

Install Menu

INSTALL	
PROG NO	02
SKIP	ADD
RECEPTION	CATV-HRC
FINE	00
AFT	OFF
AUTO STORE	

1.PROG. NO.

When selecting the CATV-STD, CATV-IRC and CATV-HRC signals, there are 01-125 channels available. There are 02 - 69 channels in the AIR signal.

2.SKIP

You can skip unnecessary program channels of your choice not to be displayed during viewing and scanning when pressing the " CH. -/+ " buttons. Select "Skip Del" by pressing " VOL. + / - " Buttons to select the channel that would like to skip from the channel scan operation.

3.RECEPTION

You can switch signals: AIR, CATV-STD, CATV-IRC and CATV-HRC.

4. FINE

You can use this FINE tuning process for fine adjustment by pressing VOL.+/- Buttons between 50 and +50. Normally fine tuning is only necessary if reception is poor.

5.AFT (Auto Fine Tuning)

Select "AFT ON" by pressing " VOL. + / - " buttons to Auto Fine Tuning. The " FINE " tuning function will be disabled once this AFT is " ON "

6.AUTO STORE

Press VOL.+/- Buttons, the TV set will automatically search from V-L band to U band. The channels are stored in the order in which they appear in the frequency bands.

Operation Instructions

TROUBLESHOOTING

The following problems do not always indicate a hardware failure. Therefore, please use the troubleshooting guide below before calling for repair service. If, after following the guide none of the remedies work, unplug the TV and call for service.

Problem	Checks and Adjustments
TV will not turn on	<ul style="list-style-type: none">■ Make sure the power cord is plugged in, then press POWER button.■ Check battery in the remote control. (Maybe batteries are dead.)
No picture, no sound	<ul style="list-style-type: none">■ Ensure the TV power is ON (Indicated by the green power indicator on the front of the unit).■ Check antenna/ cable connections.■ Try different channel.
No sound, picture OK	<ul style="list-style-type: none">■ Maybe sound is muted. Try pressing■ VOL+ button is not set to minimum.■ Try another channel. Check the AV cables for disconnection.
Spots on the screen (Snow)	<ul style="list-style-type: none">■ Maybe the TV is being affected by interference from automobiles, trains, high-voltage transmission lines, neon signs or another sources of interference.■ Try redirecting or relocating your antenna to reduce the affects of the interference.■ Change channels to confirm if the■ symptom is still present.
Poor reception of broadcast channels	<ul style="list-style-type: none">■ Try another channel.■ Check antenna connections.■ If using VCR, check TV/VCR button.■ Adjust fine tuning control.
VCR	<ul style="list-style-type: none">■ Probably local interference, such as an appliance.
Cannot select a certain channel	<ul style="list-style-type: none">■ When the VCR test signal (TSG) is received, the lower side of the test pattern is distorted as shown in the figure. This is not a malfunction and the playback picture is not influenced by it.■ That channel may be locked out with SKIP CHANNEL function.

Operation Instructions

Remote Control does not operate

- Check for any obstacle between the remote control and the remote control sensor window.
- Maybe batteries are dead. Try replacing batteries with new ones.
- Check for incorrect battery orientation.

The picture is doubled or tripled (GHOST)

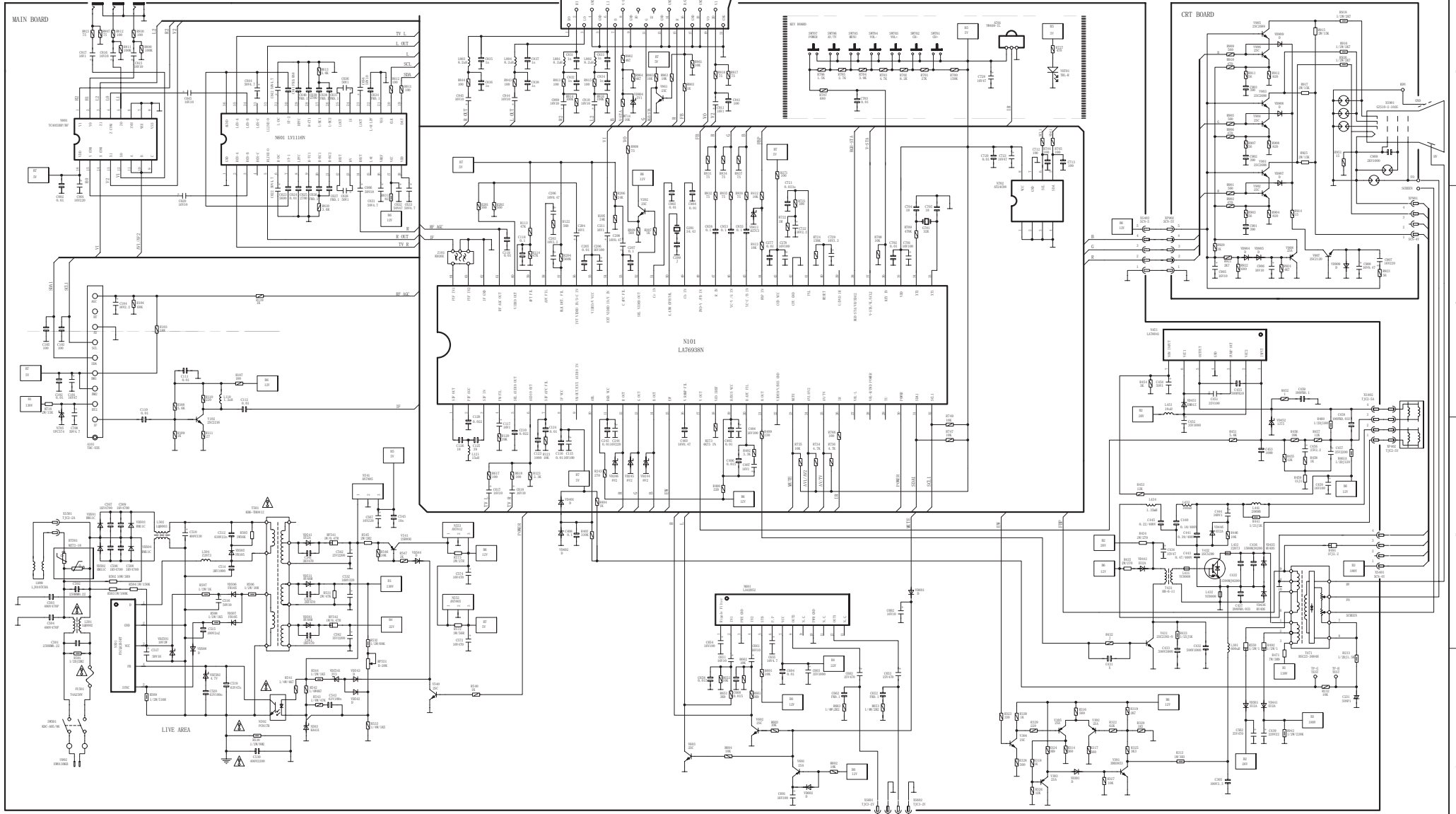
- Please change the direction, height or position of the antenna. Reflections from building or mountains might cause this phenomenon. A highly directional antenna may improve the reception.

Degraded colours or tints

- Check whether all the picture adjustments have been properly performed.
- Enter into the (Picture mode) inside the menu to select a different picture set-up.

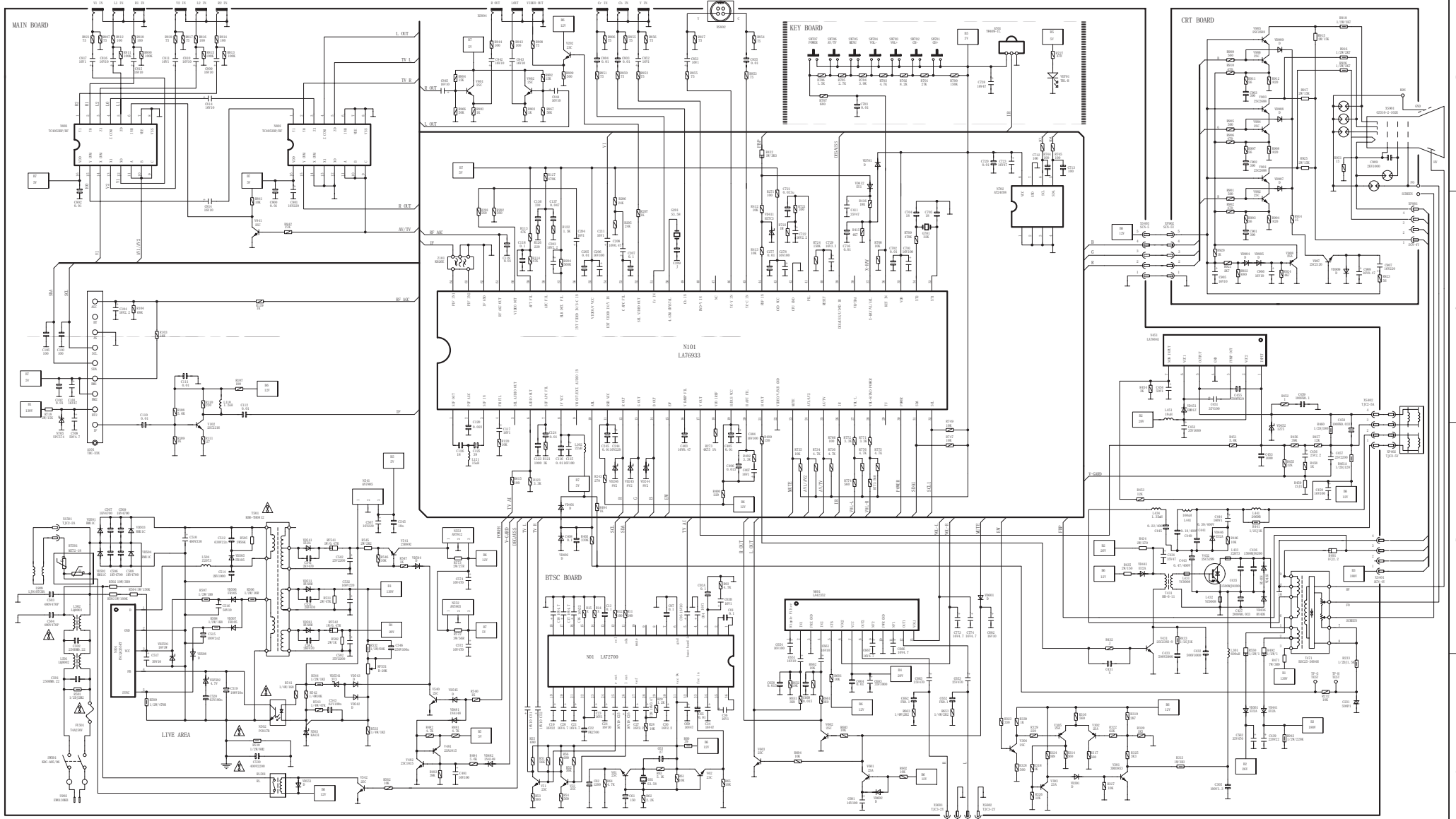
5Y19E

彩色电视机电路原理图



5Y19S

USOC CHASSIS COLOR TV



NO.	DESCRIPTION	REVISION
1	ISSUED	
2		
3		
4		
5		
6		
7		
8		
9		
10		