

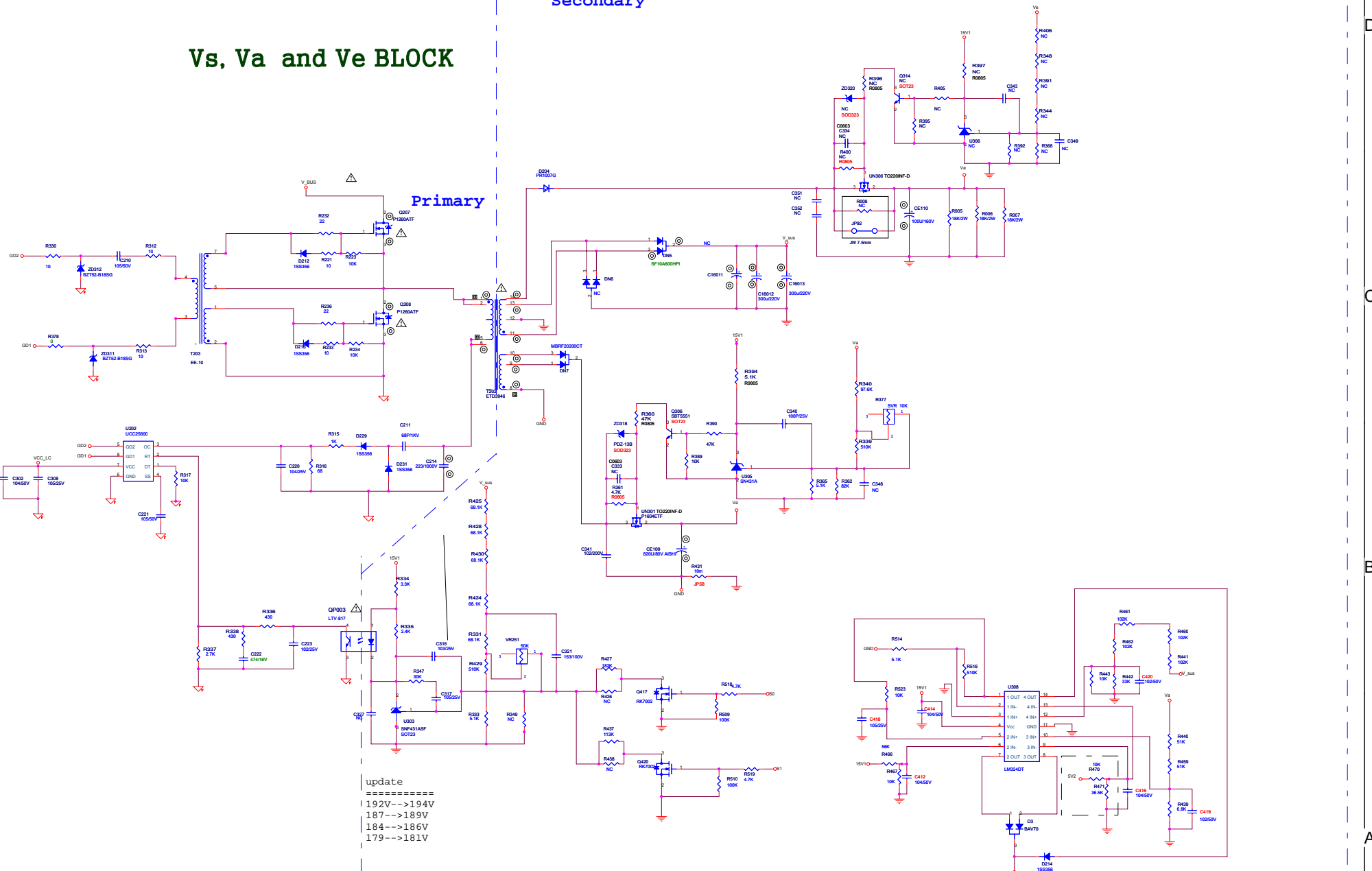
# STBY AND 15V BLOCK

<b>DARFON</b>		達方電子股份有限公司	
		CUSTOMER MODEL : CUSTOMER PART NO : DARFON Model Name : B159-201	
2011/12/02	REV.	E1	Reviewed by Royce Tang
Prepared by Royce Tang			Approved by Marco Lin

# Vs, Va and Ve BLOCK

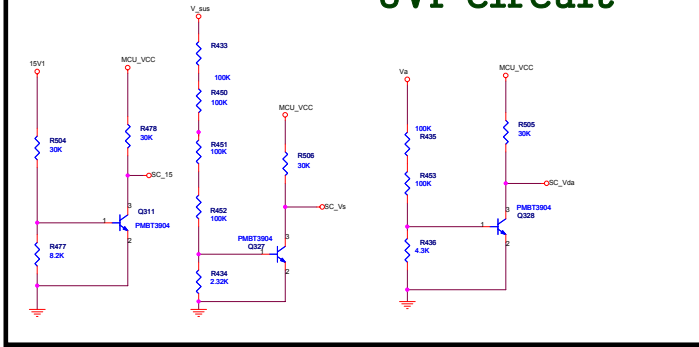
## Secondary

## Primary

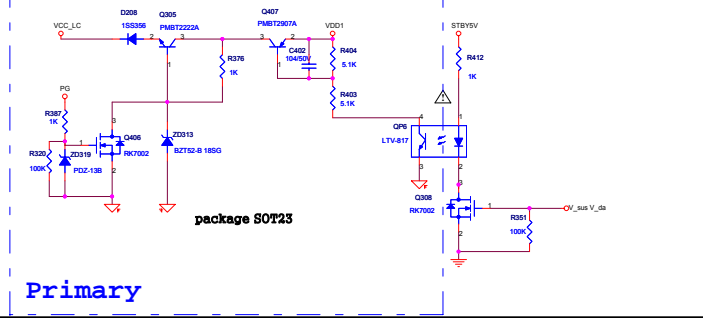


update  
 =====  
 192V-->194V  
 187-->189V  
 184-->186V  
 179-->181V

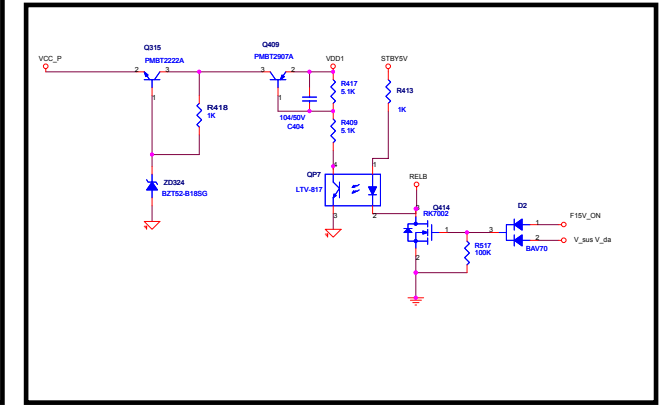
## UVP circuit



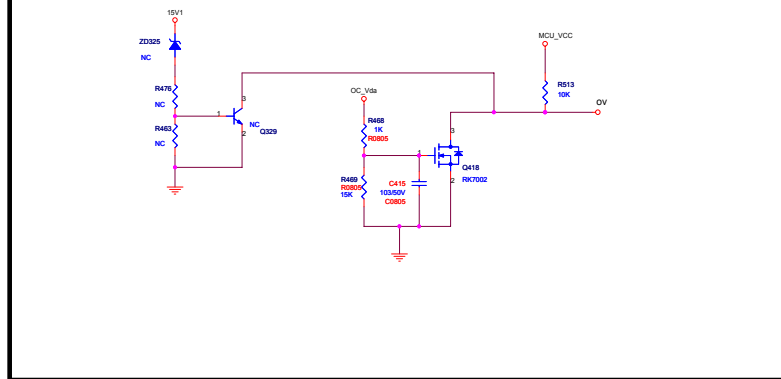
## VS ON/OFF circuit



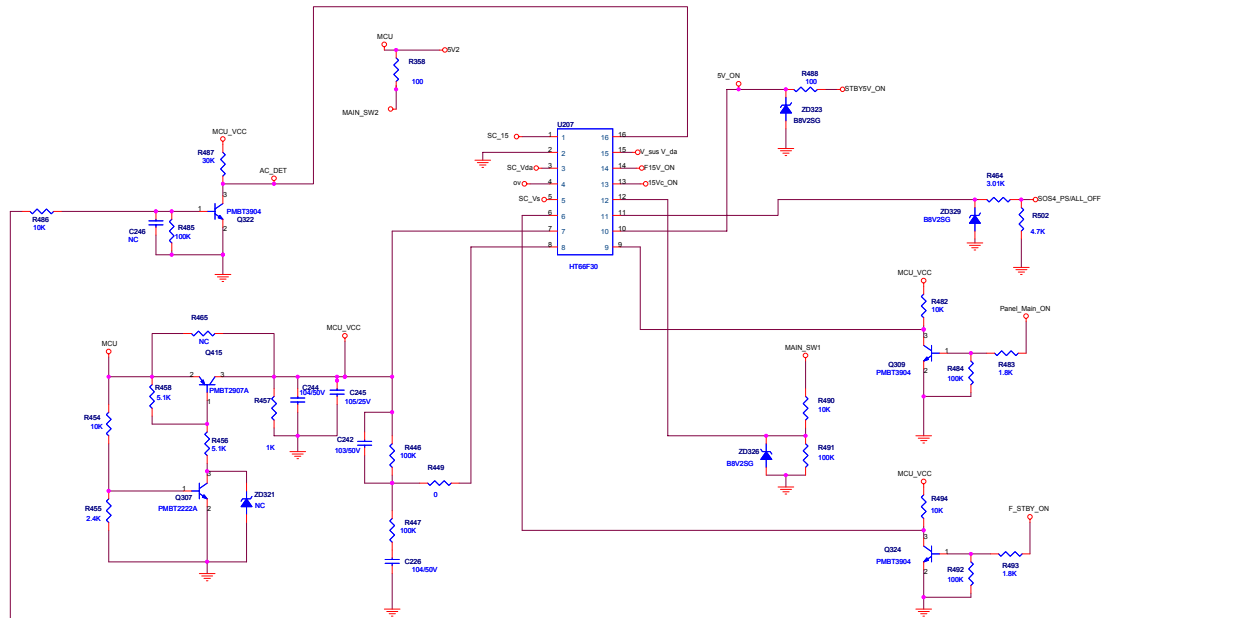
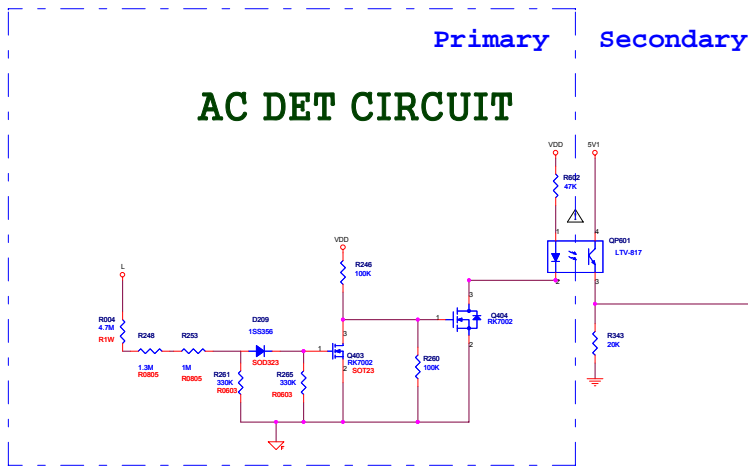
## update Relay ON/OFF circuit



## OVP circuit



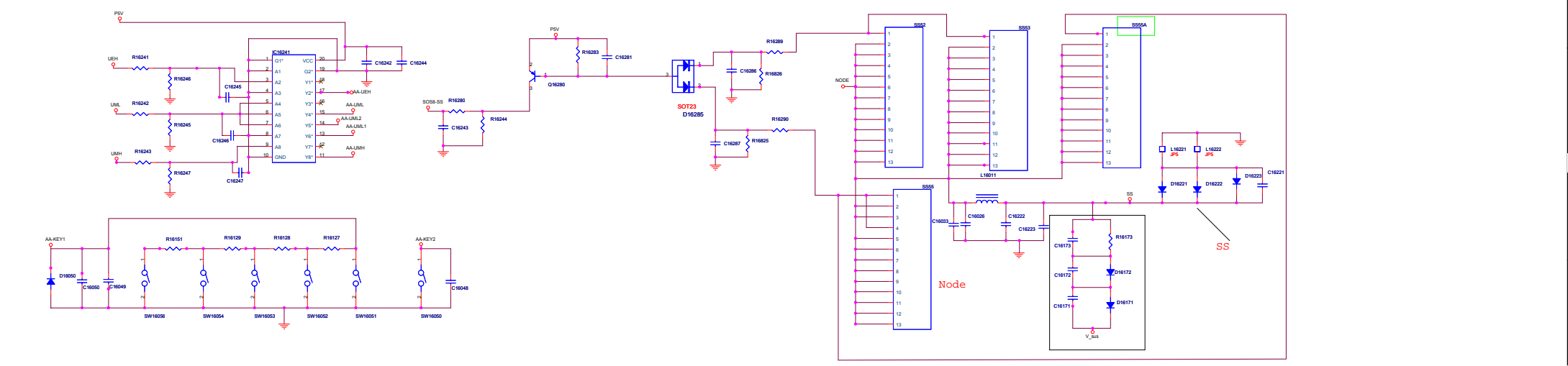
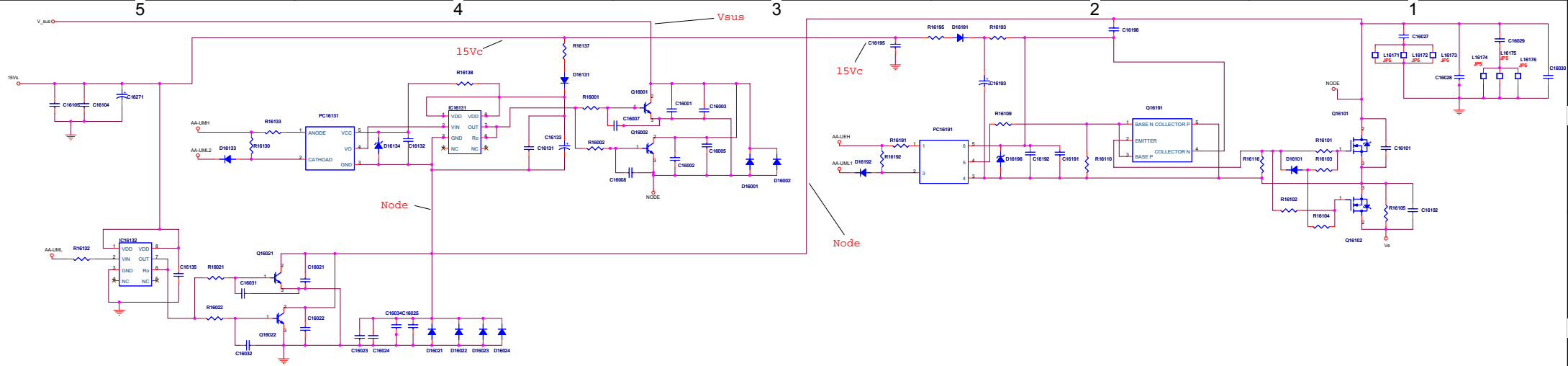
## AC DET CIRCUIT



## MCU\_SEQUENCY BLOCK

<b>DARFON</b>		達方電子股份有限公司	
		CUSTOMER MODEL : CUSTOMER PART NO : DARFON Model Name : R159-201	
2011/12/02	REV. E1	Reviewed by	Roye Tang
Prepared by	Roye Tang	Approved by	Marco Lin





<b>DARFON</b>		達方電子股份有限公司	
CUSTOMER MODEL :		CUSTOMER PART NO :	
DARFON Model Name : B159-201			
2011/12/02	REV.	E1	Reviewed by Roye Tang
Prepared by	Roye Tang	Approved by	Marco Lin