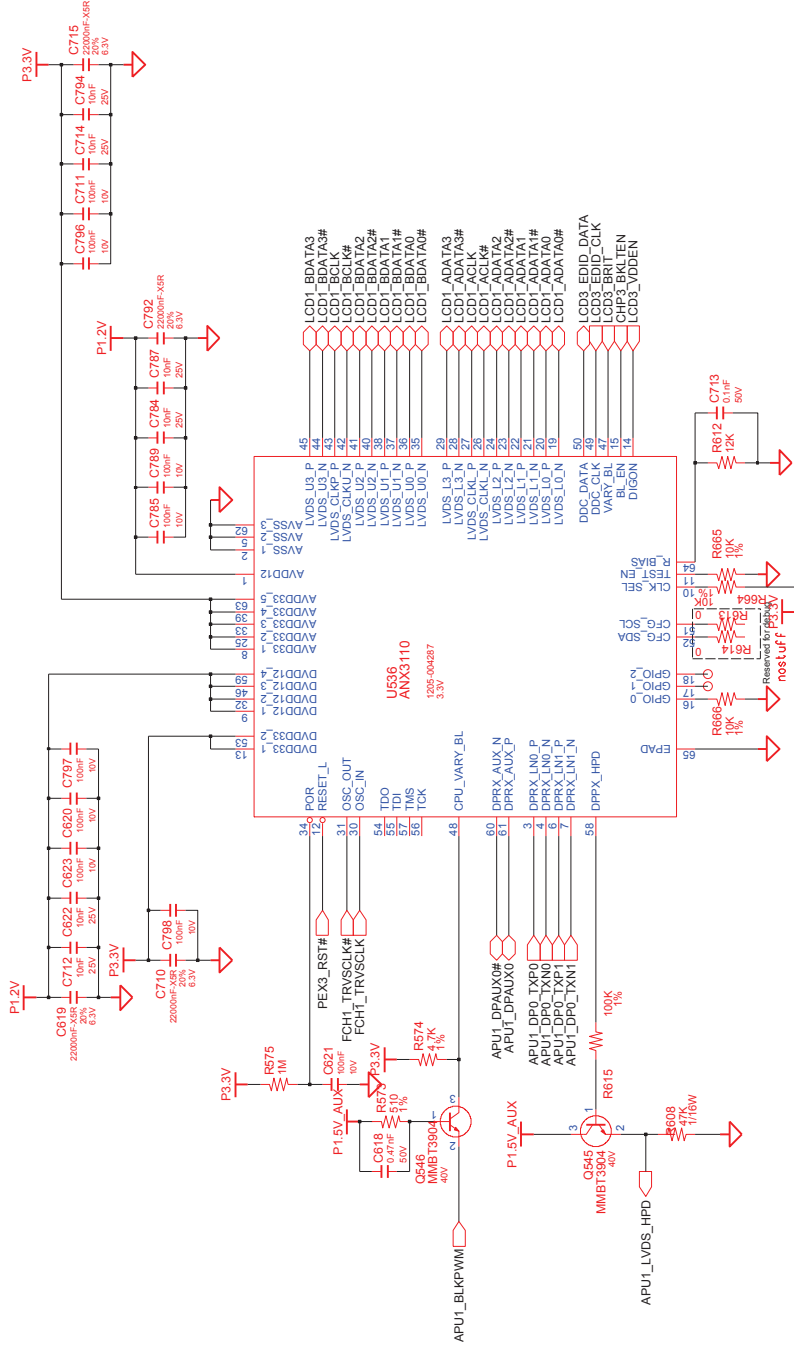


SAMSUNG PROPRIETARY
 THIS DOCUMENT CONTAINS CONFIDENTIAL
 PROPRIETARY INFORMATION THAT IS
 SAMSUNG ELECTRONICS CO.'S PROPERTY.
 THIS DOCUMENT IS NOT TO BE REPRODUCED OR
 TRANSMITTED IN ANY FORM OR BY ANY MEANS,
 ELECTRONIC OR MECHANICAL, INCLUDING
 PHOTOCOPYING, RECORDING, OR BY ANY
 INFORMATION STORAGE AND RETRIEVAL SYSTEMS,
 WITHOUT PERMISSION IN WRITING FROM SAMSUNG
 ELECTRONICS CO. OTHERS
 DO NOT REPRODUCE OR TRANSMIT THIS DOCUMENT
 EXCEPT AS AUTHORIZED BY SAMSUNG.

Travis_L (ANX3110)



DESIGN	BIN XIE	DATE	3/12/2011	TITLE	PETRONAS-D 15
CHECK	LET GUO	DEV. SECT	PV		ELECTRONICS
APPROVAL	BC LEE	REV	REV 1.0		TRAVIS_L-ANX3110
MODULE CODE		LAST EDIT			TRAVIS_L
					PART NO. BA 41-####A
					PAGE 54 OF 54
					May 10, 2011 10:53:25 AM