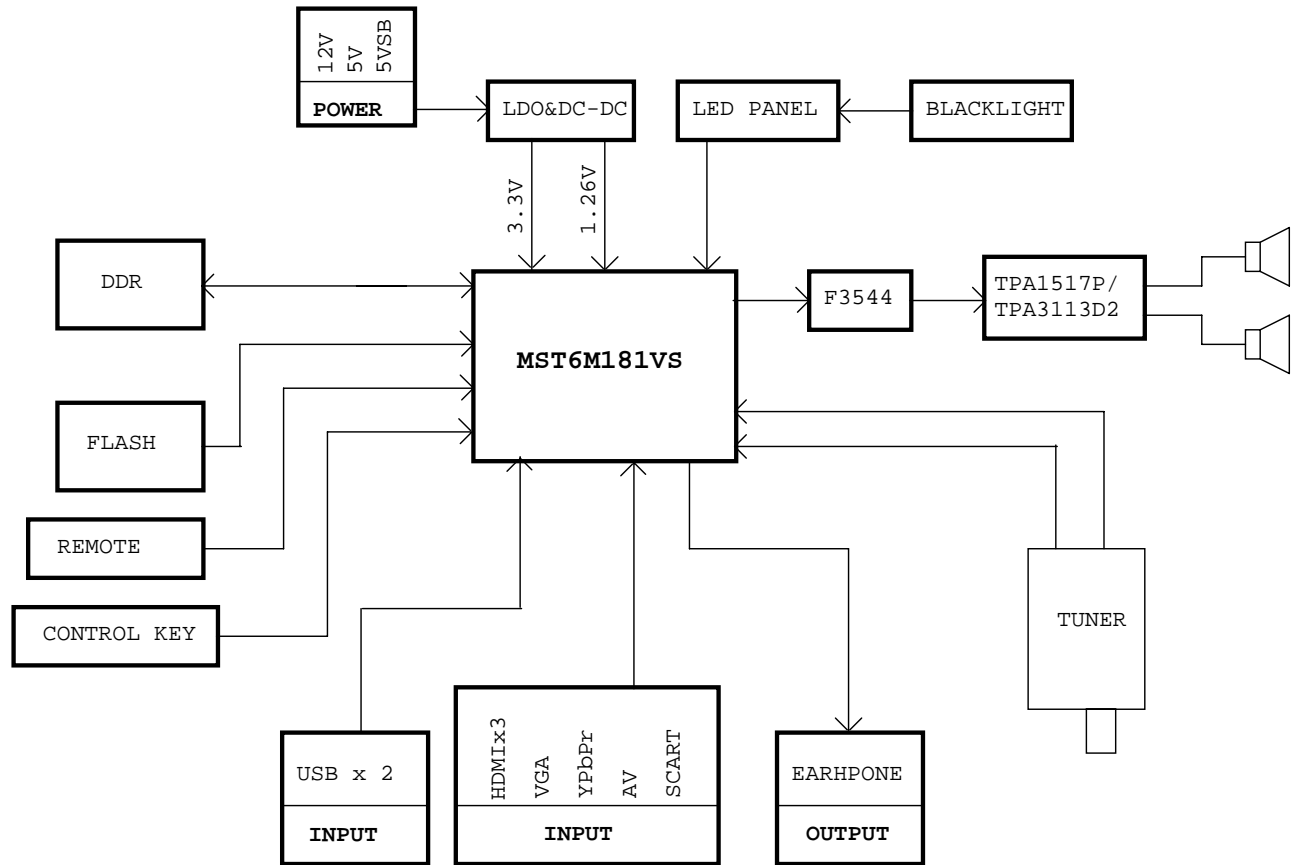


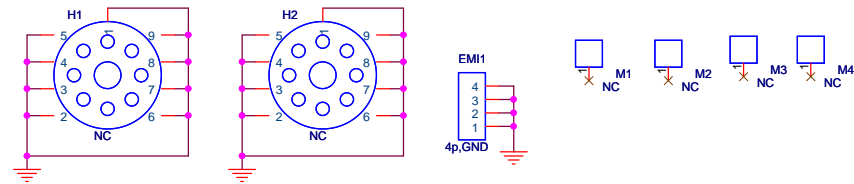
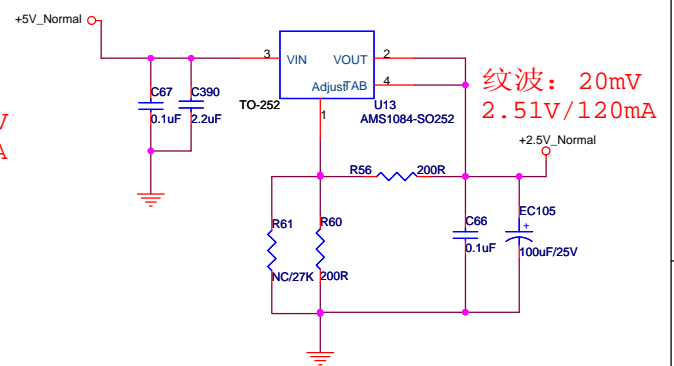
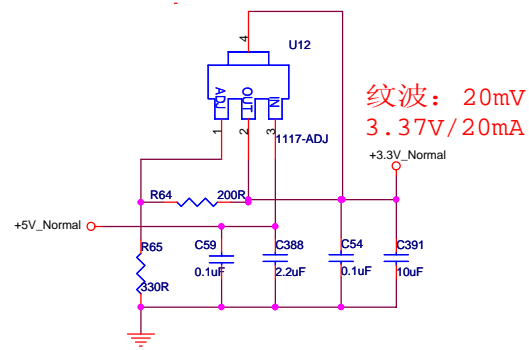
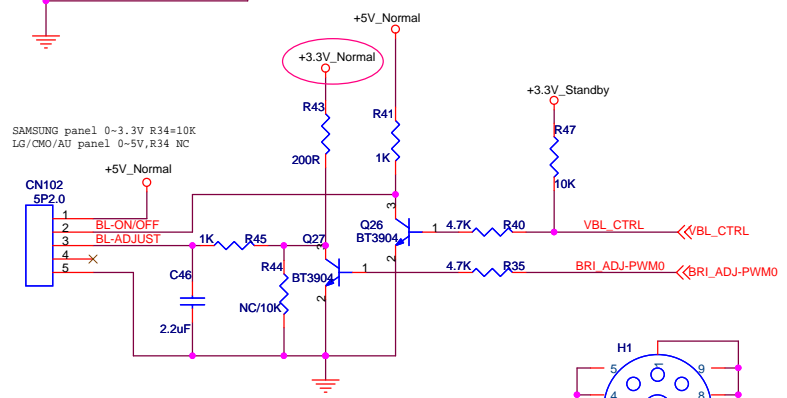
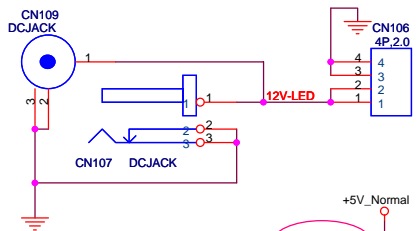
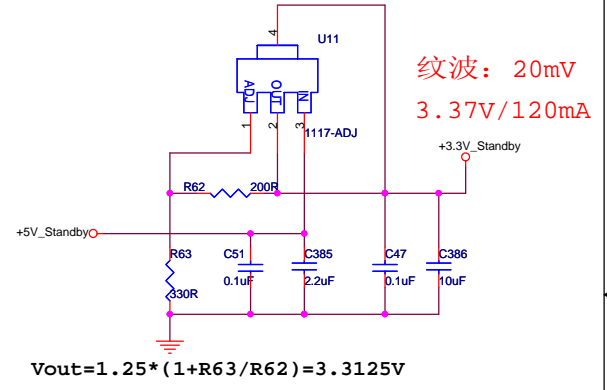
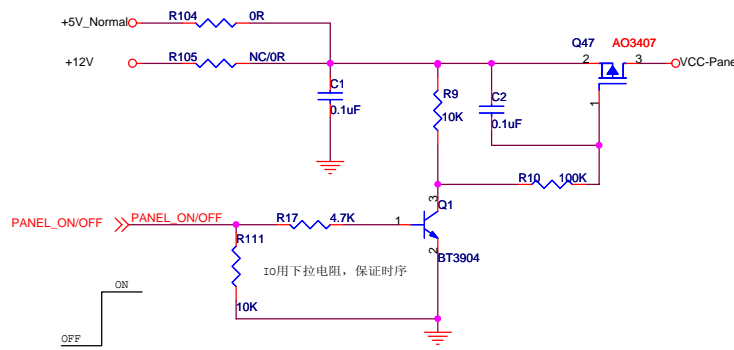
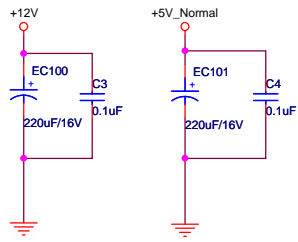
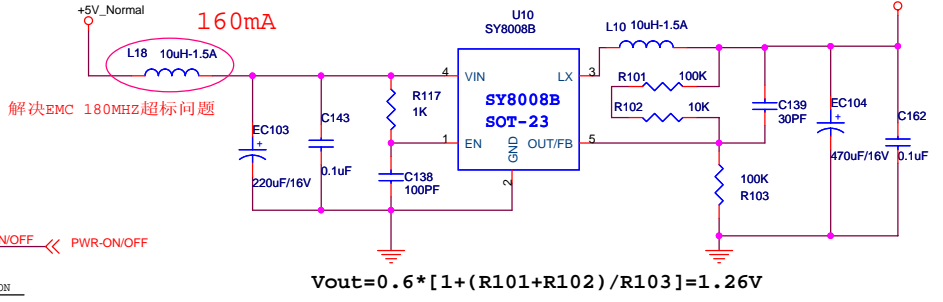
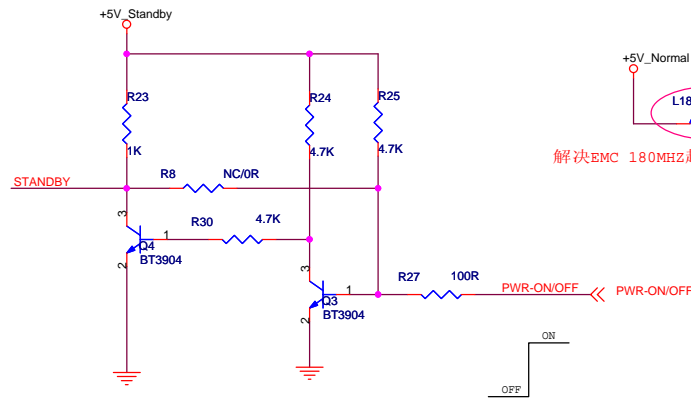
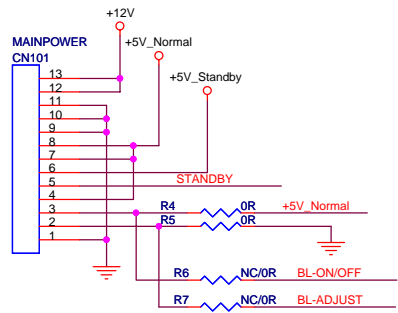
I/O分配:

I/O口	功能描述	实际功能
GPI00	PAD_PM_SPI_CZ	Flash
GPI01	PAD_PM_SPI_CK	Flash
GPI02	PAD_PM_SPI_DI	Flash
GPI03	PAD_PM_SPI_DO	Flash
GPI04	PAD_IRIN	IR IN
GPI05	PAD_CEC	HDMI-CEC
GPI06	PAD_GPIO_PM1	Flash 写保护控制
GPI07	PAD_GPIO_PM4	POWER ON/OFF
GPI08	PAD_GPIO_PM5	LED-CONTROL
GPI09	PAD_GPIO_PM6	AMP-MUTE
GPI010	PAD_PMGPIO	VBL_CTRL
GPI011	PAD_SAR0	KEY0
GPI012	PAD_SAR1	KEY1
GPI013	PAD_SAR2	SCART_FS控制脚
GPI015	PAD_HOTPLUGA	HDMI-HP
GPI016	PAD_DDCDA_CK	HDMI-CLK
GPI017	PAD_DDCDA_DA	HDMI-SDA
GPI018	PAD_DDCR_DA	MI2C-SDA
GPI019	PAD_DDCR_CK	MI2C-SCL
GPI020	PAD_PWM0	BRI_ADJ-PWMO
GPI021	PAD_PWM1	串4.7K接地
GPI022	GPI022	VGA和SCART选择控制脚
GPI023	GPI023	DVD_ON/OFF
GPI024	GPI024	TUNER_SCL
GPI025	GPI025	TUNER_SDA
GPI026	GPI026	TV L' 转换控制
GPI027	GPI027	NC
GPI028	GPI028	PANEL_ON/OFF
GPI030	GPI030	串4.7K接地
GPI032	GPI032	串4.7K接地
GPI036	GPI036	PHDETEC耳机检测脚
GPI037	GPI037	LCD_OP LVDS TI控制脚
GPI038	GPI038	SW_GAIN AV OUT增益控制
GPI045	GPI045	USB_DETEC1 USB检测脚
GPI047	GPI047	ON_USB1 USB电源控制脚
GPI049	GPI049	NC
GPI074	PAD_LCK	NC
GPI075	PAD_LDE	NC
GPI076	PAD_LHSYNC	NC
GPI077	PAD_LVSYNC	NC

BLOCK DIAGRAM

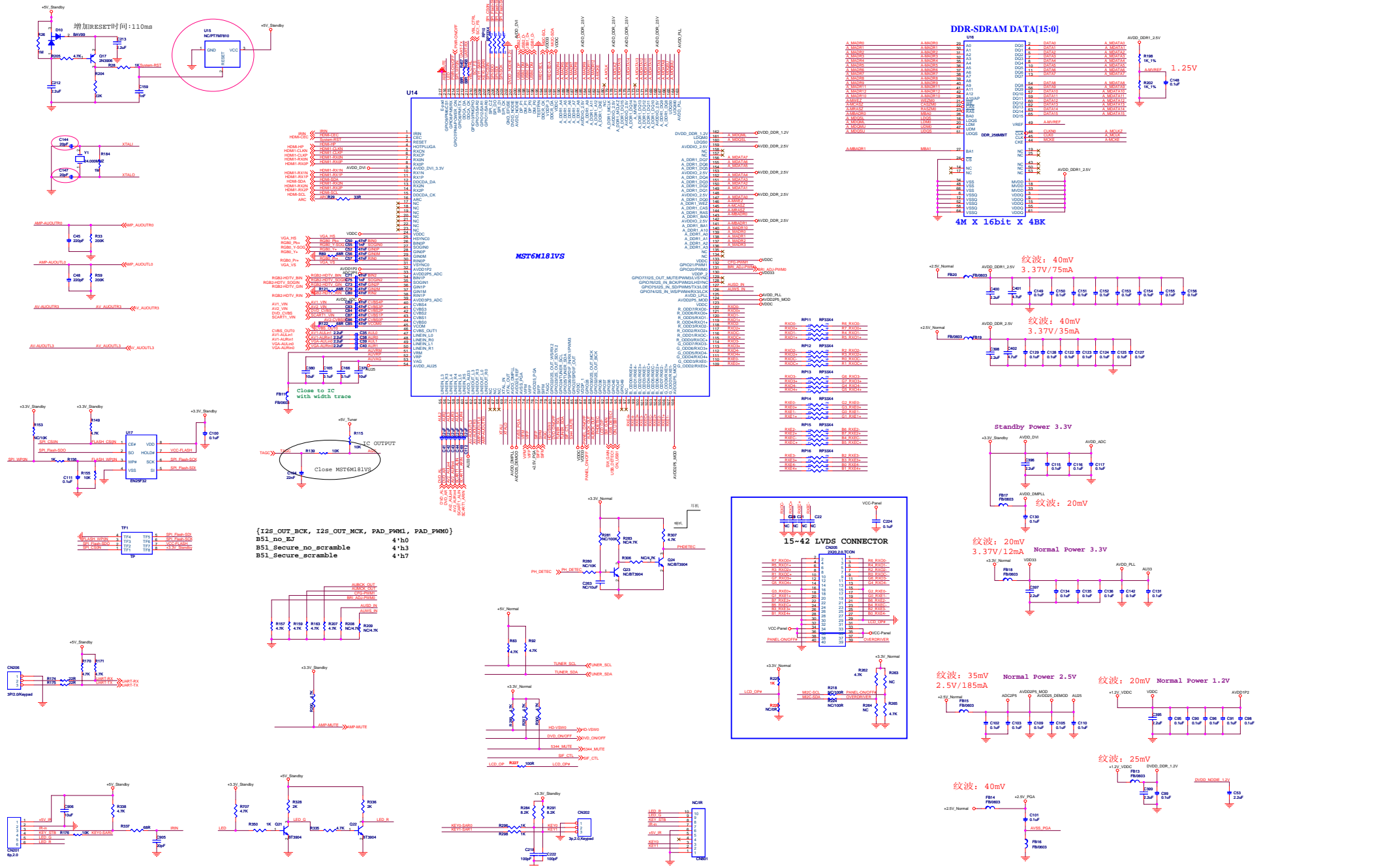


Design: HuangXingRu	Model: MST6M181VS	Title: BLOCK DIAGRAM
Checked:	Part NO:	DWG NO:
Apprd:	Sheet:	Ver:
SHEN ZHEN AMTC MULTIMED CO.,LTD		

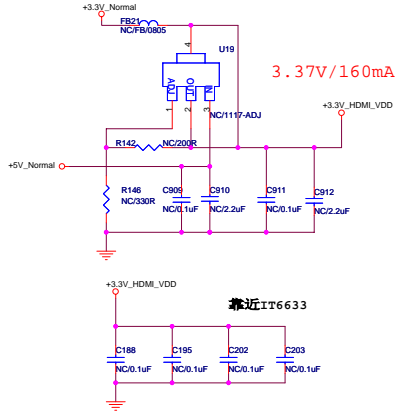
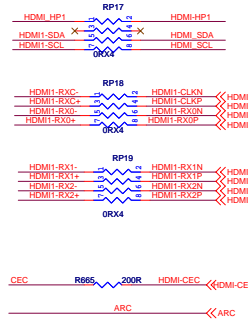
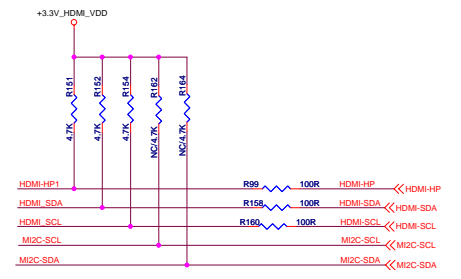
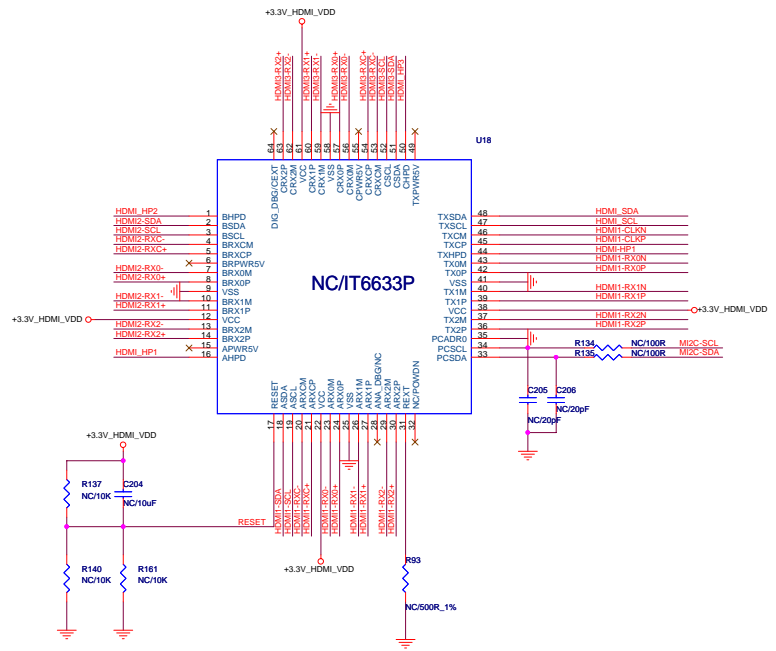
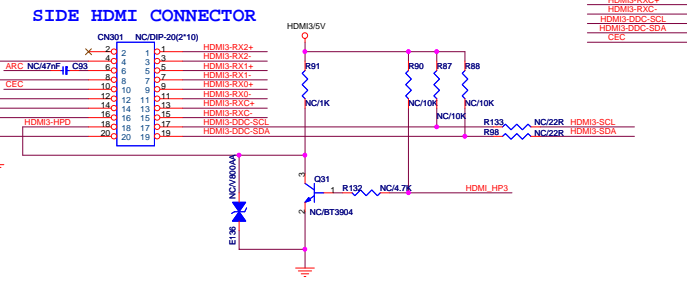
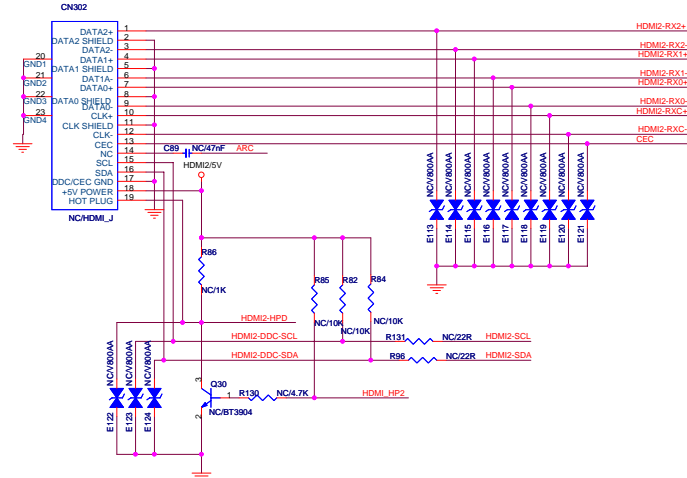
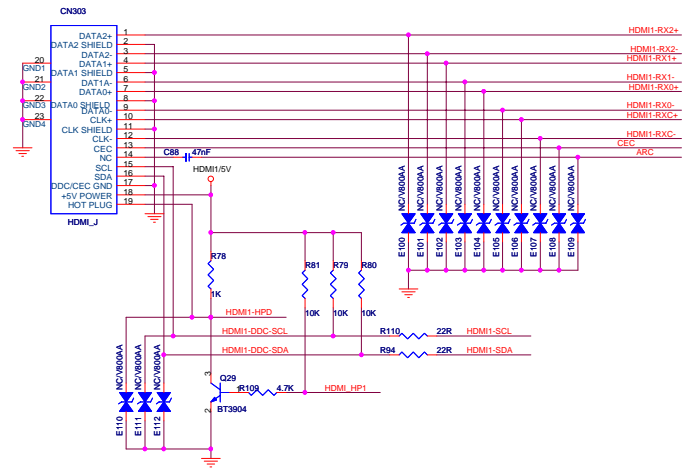


Design: HuangXingRu	Model: MST6M181VS	Title: System Power
Checked:	Part NO:	DWG NO:
Apprd:	Sheet:	Ver:

SHEN ZHEN AMTC MULTIMED CO.,LTD



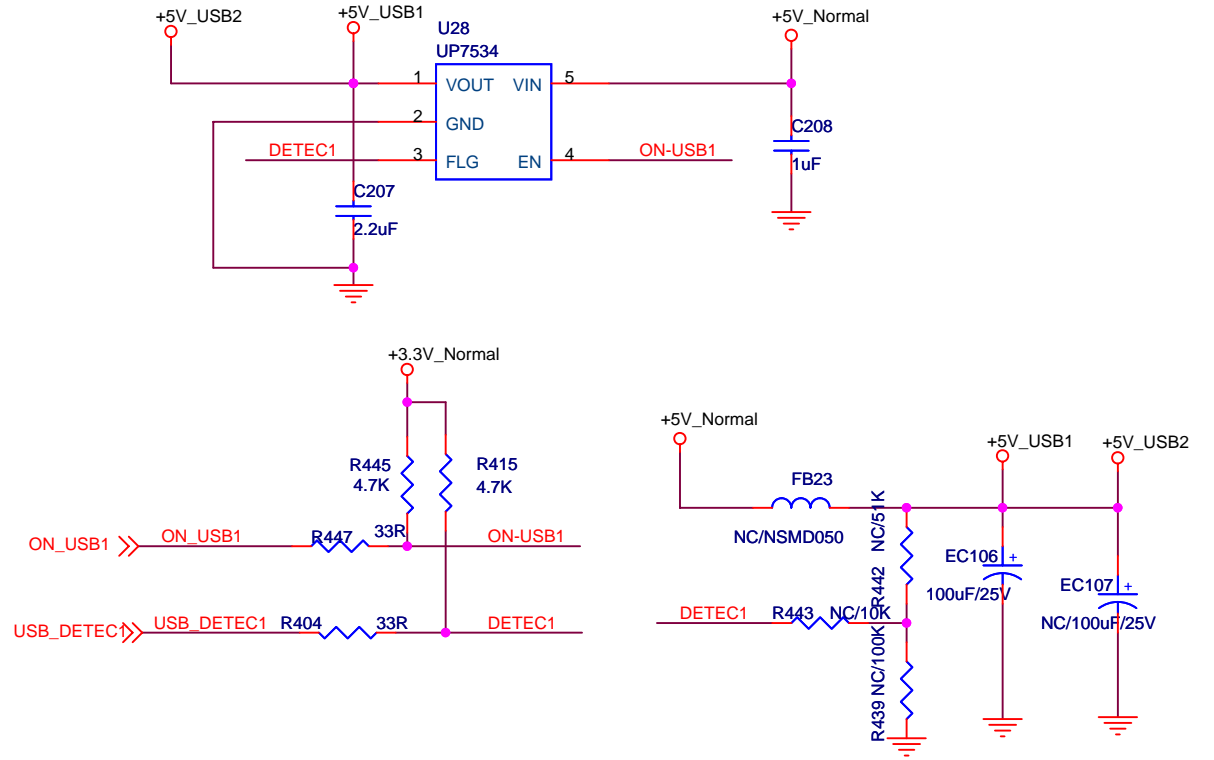
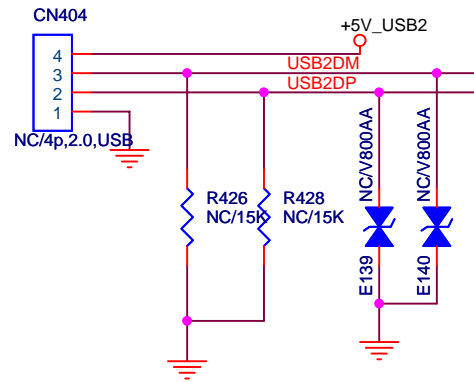
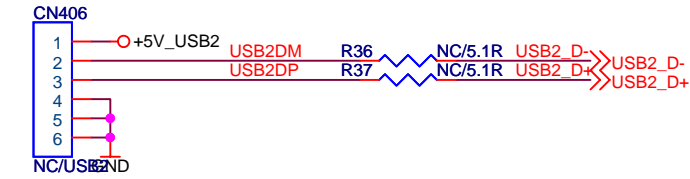
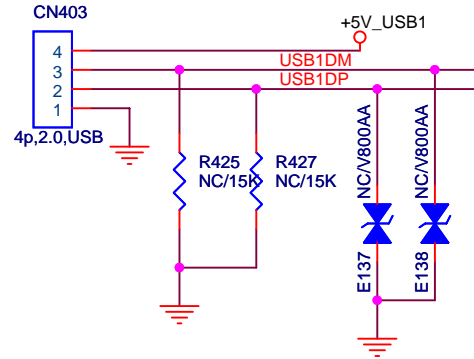
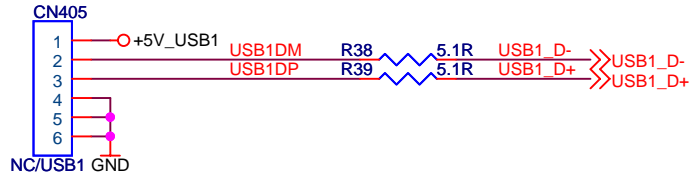
Design: BuanXingRi	Model: M576M181VS	Title: M576M181VS
Checked:	Part NO:	DWG NO:
Appot:	Sheet:	Ver:
SHEN ZHEN AMTC MULTIMED CO.,LTD		



Design: HuangXingRu	Model: MST6M181VS	Title: HDMI
Checked:	Part NO:	DWG NO:
Apprd:	Sheet:	Ver:

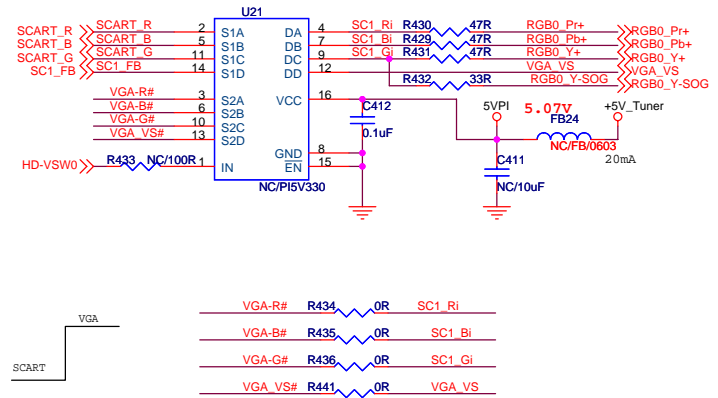
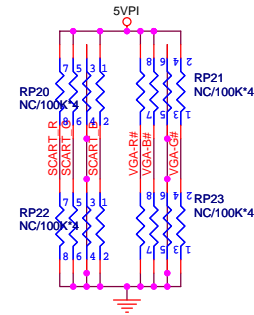
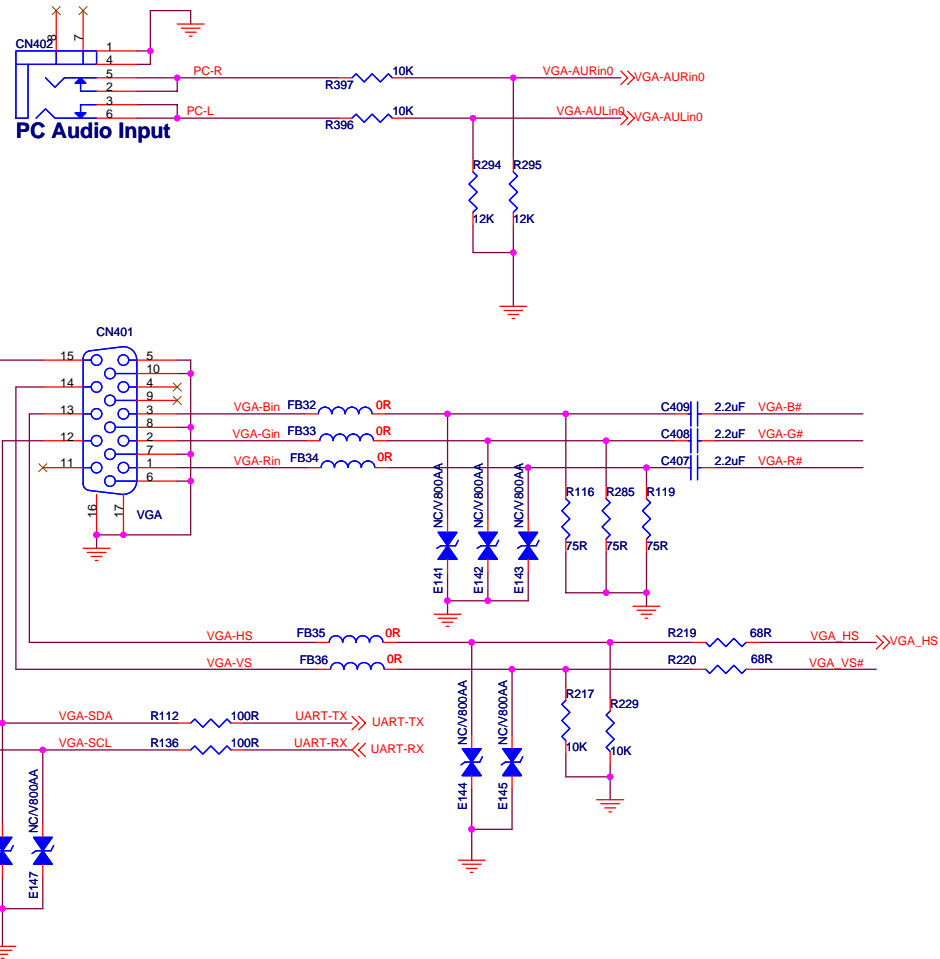
SHEN ZHEN AMTC MULTIMED CO.,LTD

USB Power

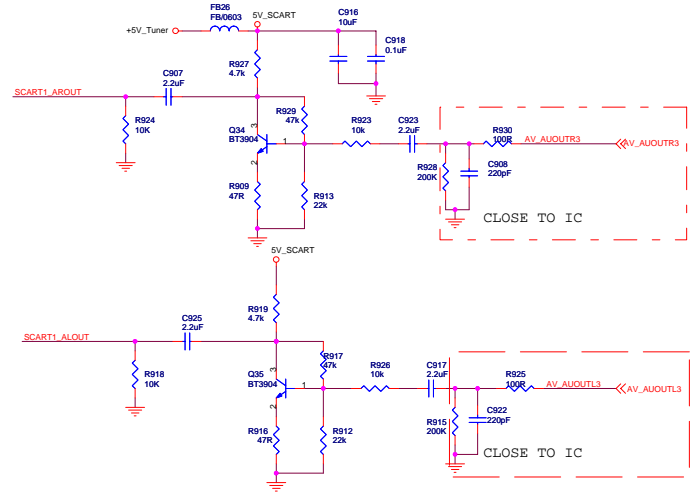
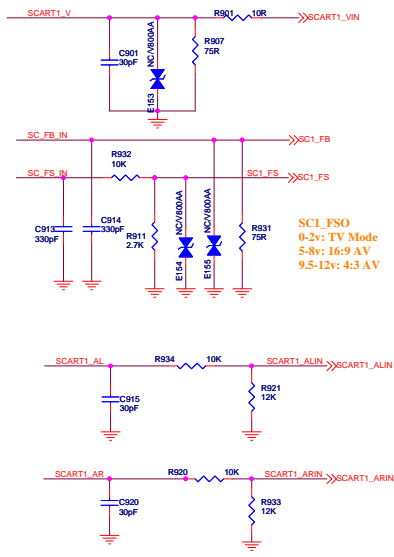
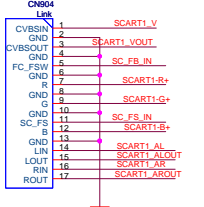
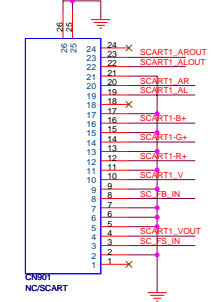
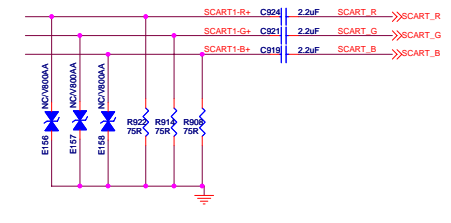
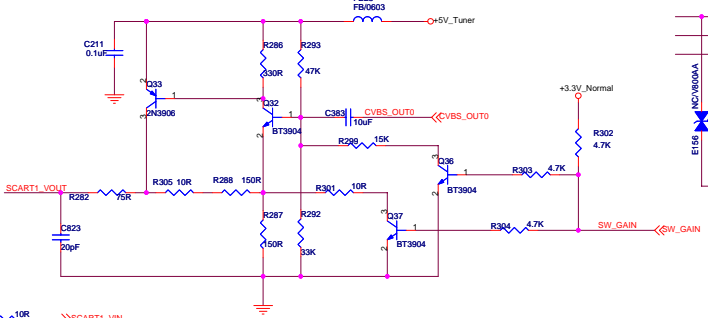
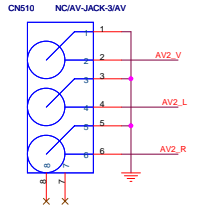
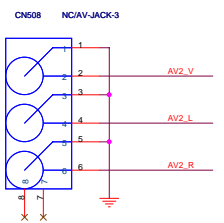
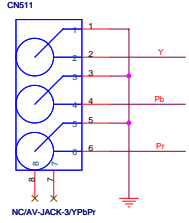
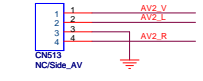
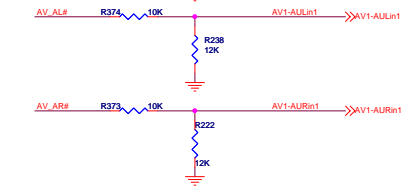
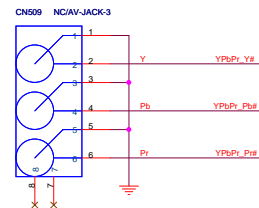
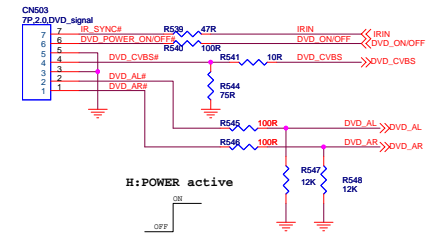
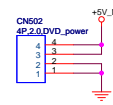
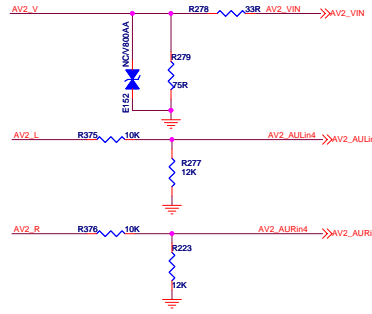
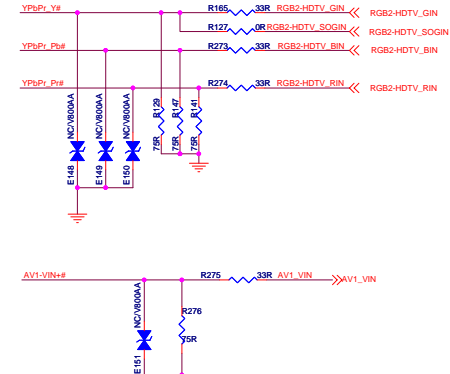
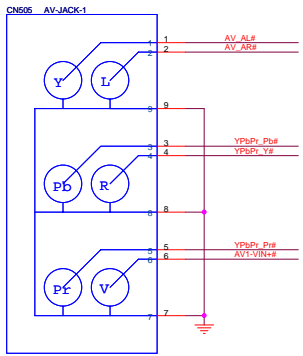


Design: HuangXingRu	Model: MST6M181VS	Title: USB
Checked:	Part NO:	DWG NO:
Apprd:	Sheet:	Ver:

SHEN ZHEN AMTC MULTIMED CO.,LTD

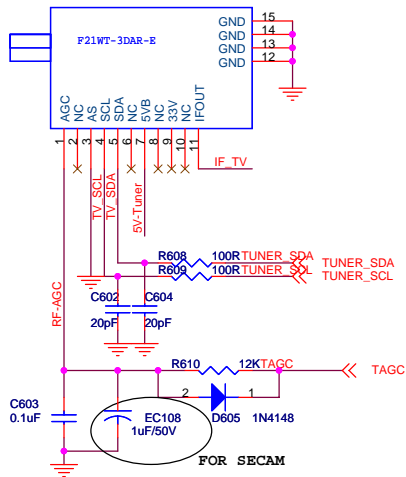


Design: HuangXingRu	Model: MST6M181VS	Title: VGA
Checked:	Part NO:	DWG NO:
Apprd:	Sheet:	Ver:
SHEN ZHEN AMTC MULTIMED CO.,LTD		

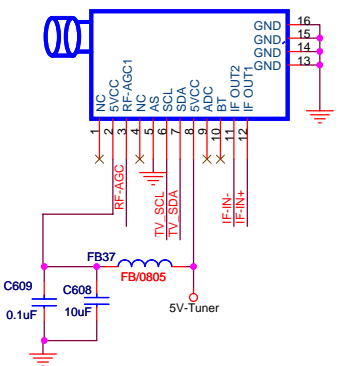


Design: HuangXingRu	Model: MST6M181VS	Title: HDTV&AVIN
Checked:	Part NO:	DWG NO:
Apprd:	Sheet:	Ver:
SHEN ZHEN AMTC MULTIMED CO.,LTD		

TUNER1
NC/F21WT-3BAR-E

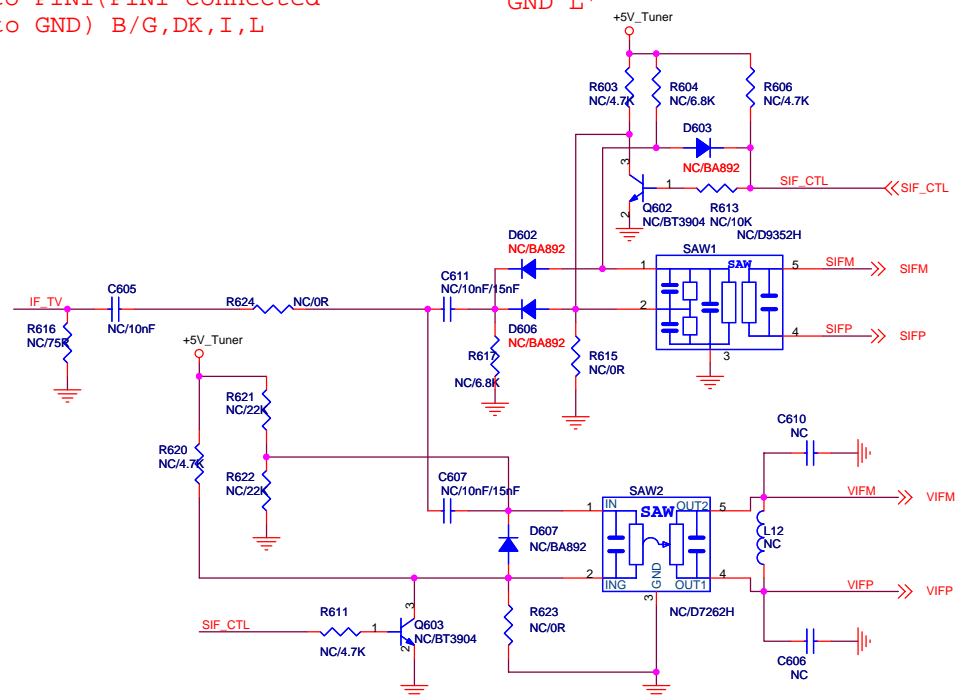


TUNER2
F33WT-3DDR-E

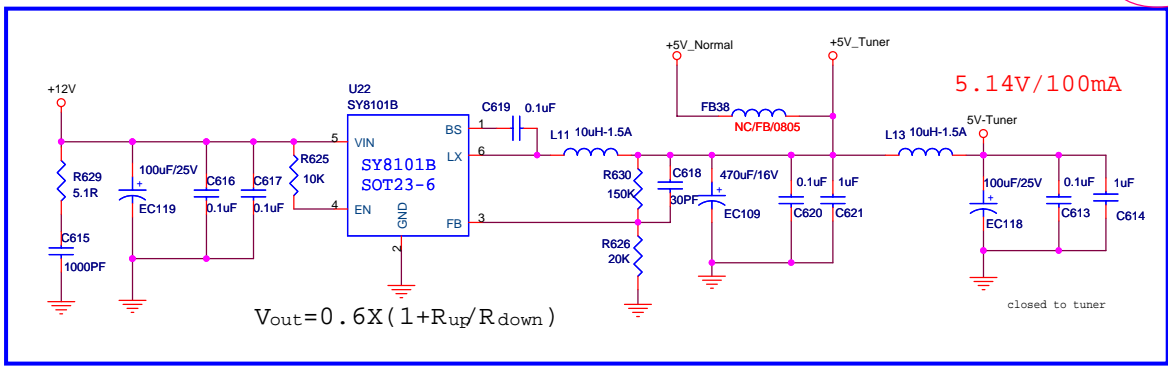
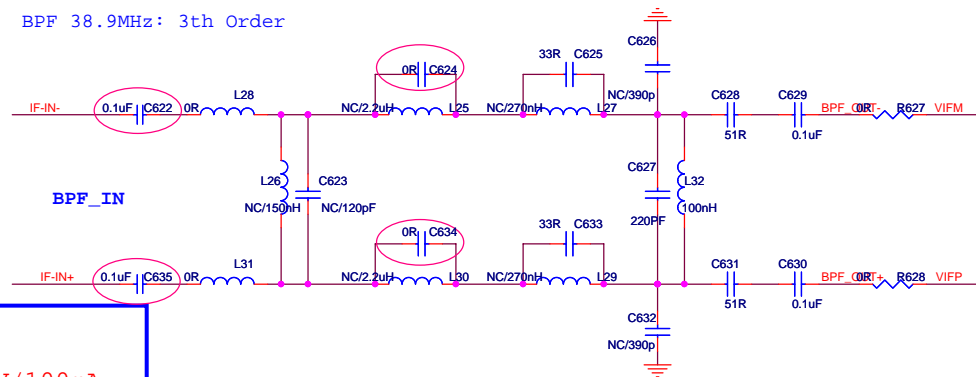


K9352M30 PIN2 connected to PIN1 (PIN1 connected to GND) B/G,DK,I,L

K7262M30 PIN2 connected to GND L'



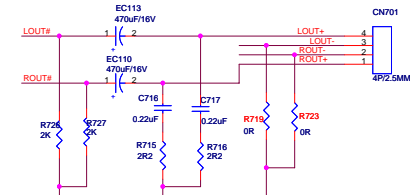
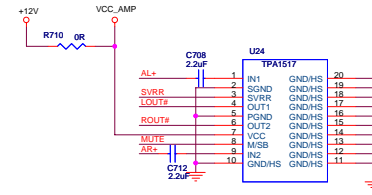
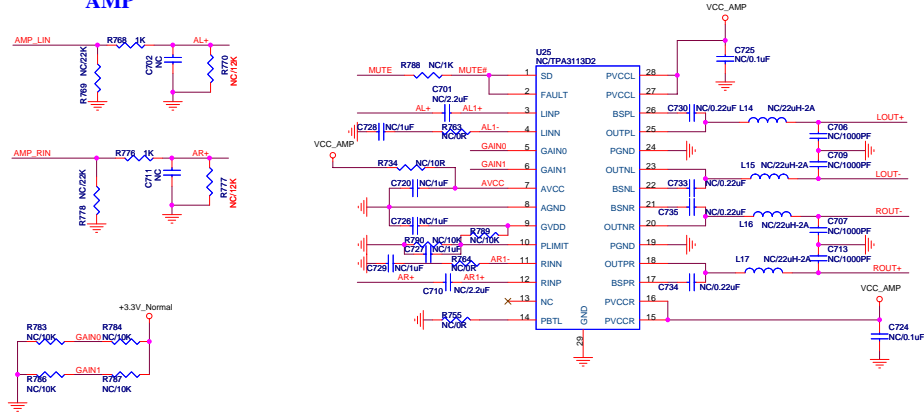
BPF 38.9MHz: 3th Order



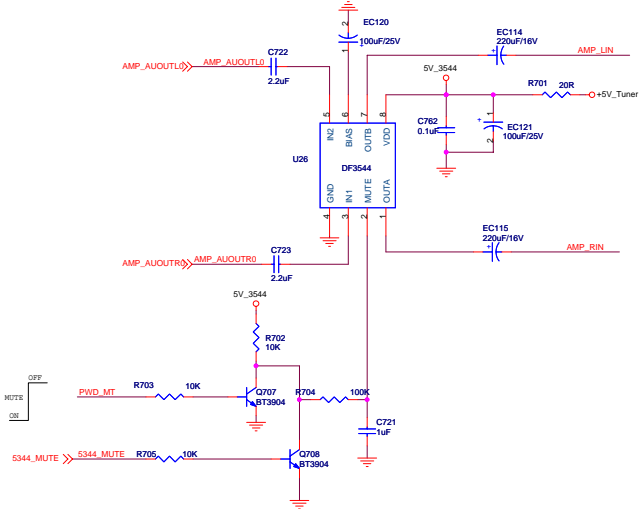
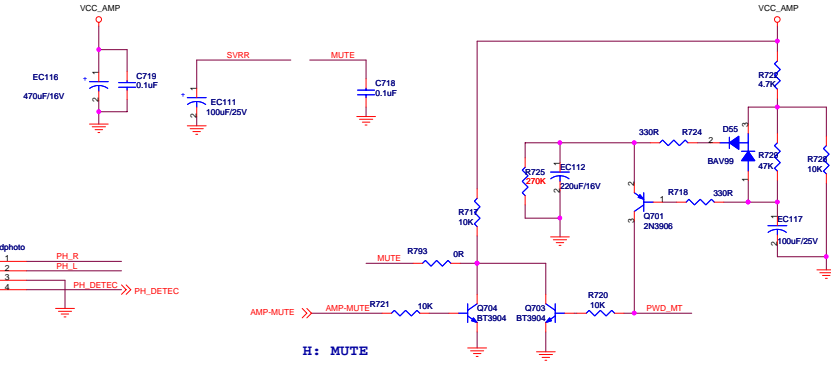
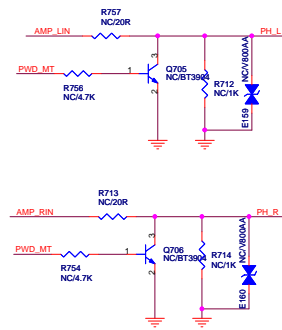
Design:	HuangXingRu	Model:	MST6M181VS	Title:	TUNER
Checked:		Part NO:		DWG NO:	
Apprd:		Sheet:		Ver:	

SHEN ZHEN AMTC MULTIMED CO.,LTD

AMP



PH Drive



Design: HuangXingRu	Model: MST6M181VS	Title: AUDIO AMP
Checked:	Part NO:	DWG NO:
Apprd:	Sheet:	Ver:
SHEN ZHEN AMTC MULTIMED CO.,LTD		