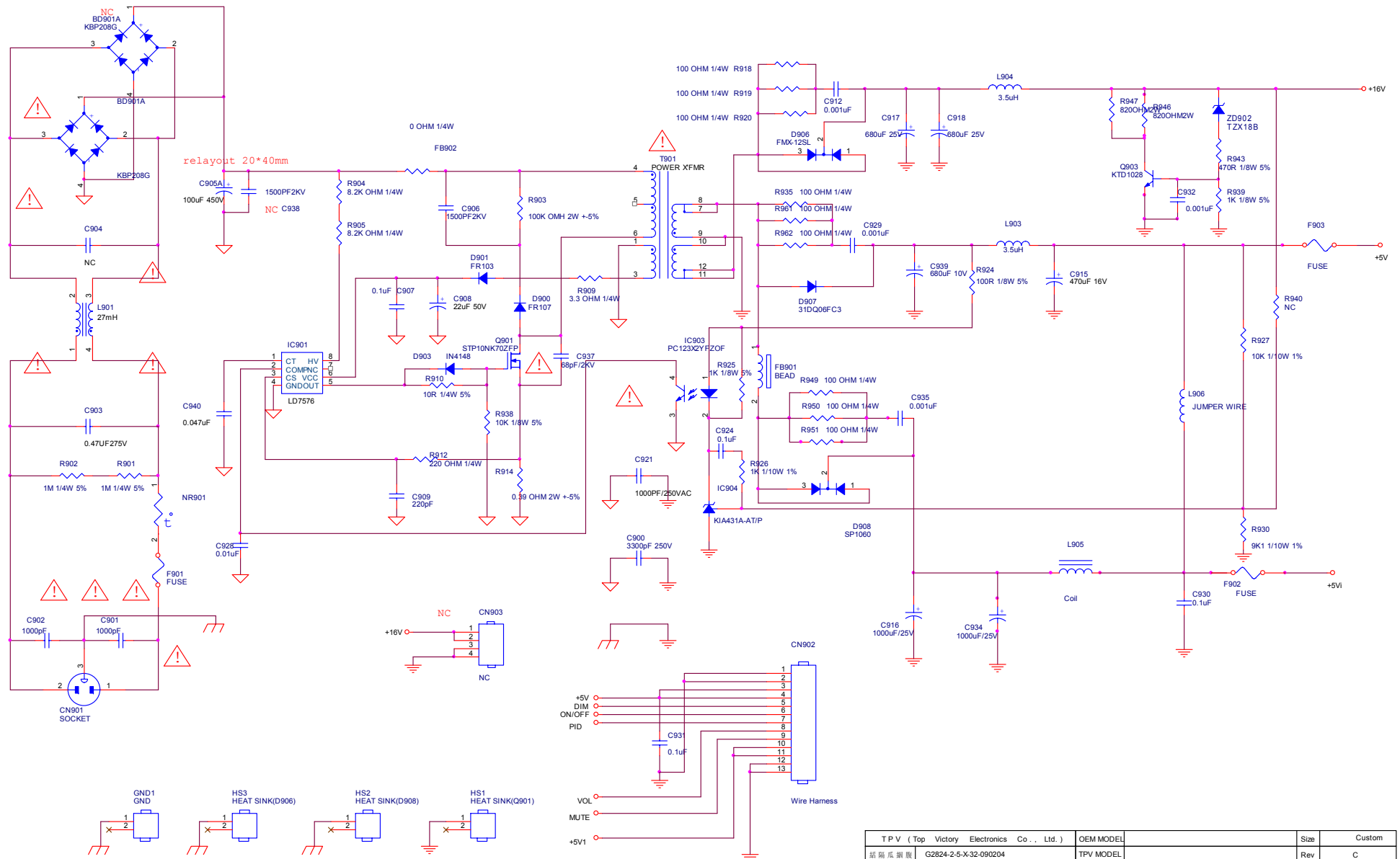
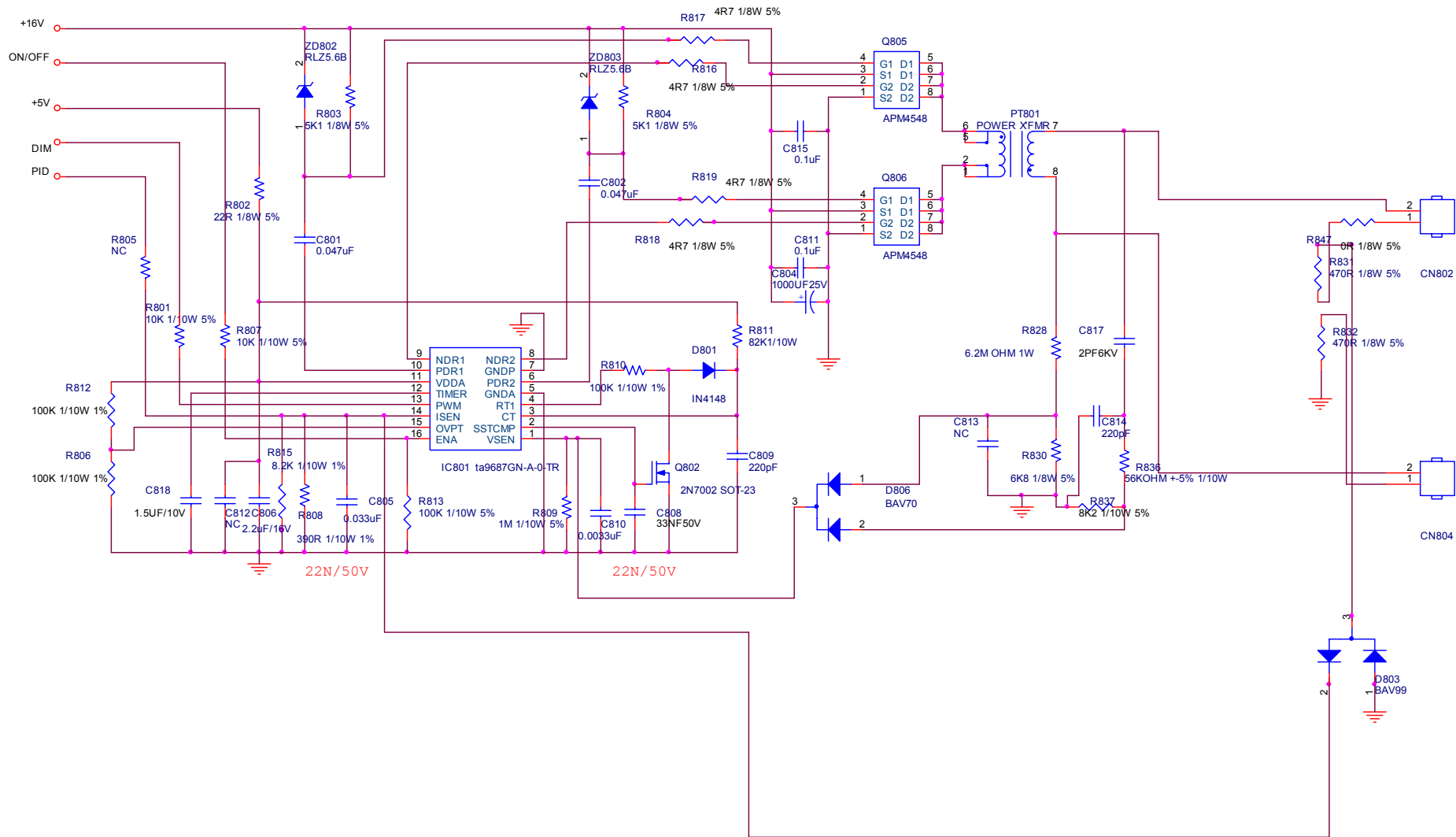


6.2 Power Board 715G2824P0100A001S



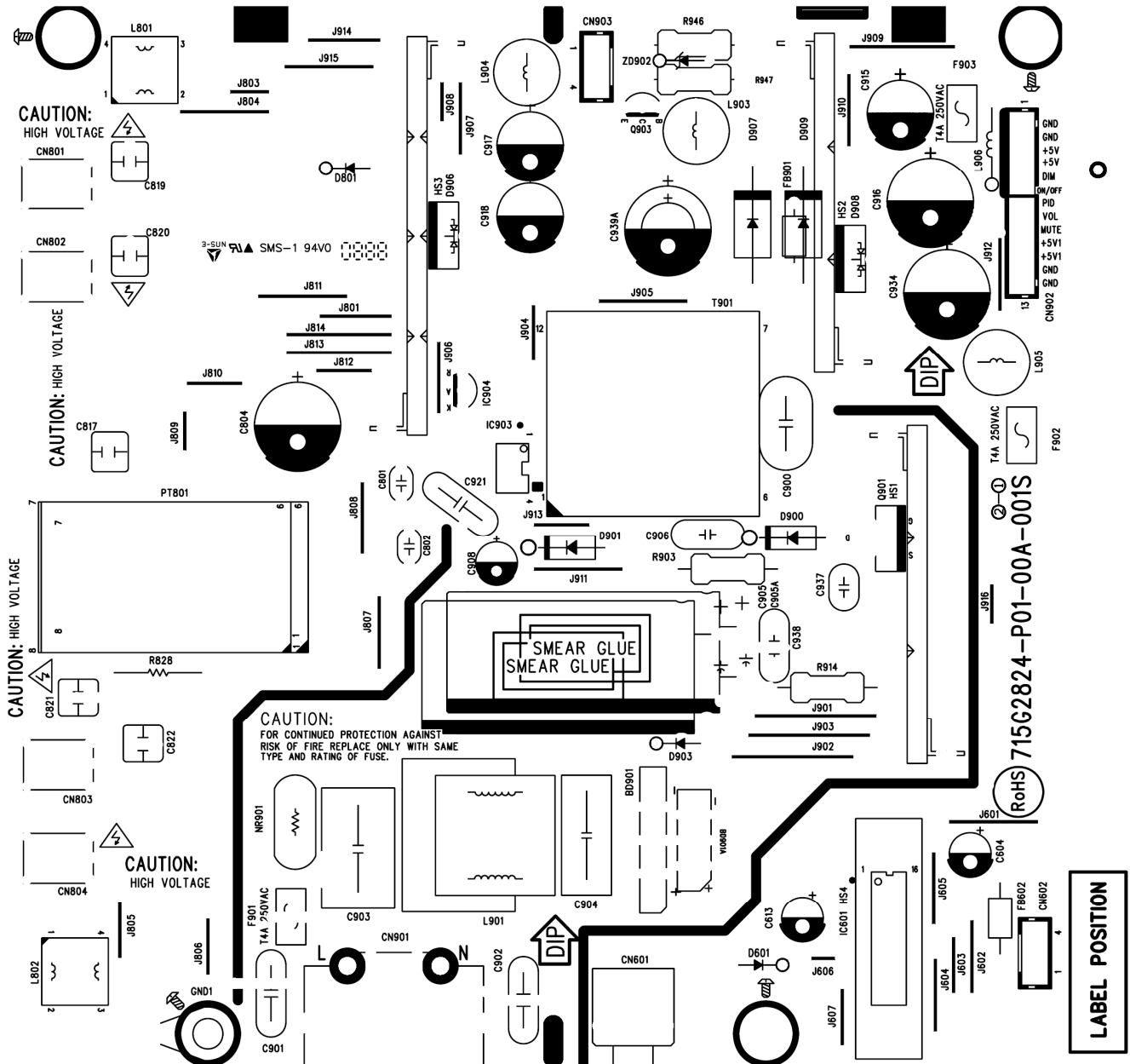
TPV (Top Victory Electronics Co., Ltd.)	OEM MODEL	Size	Custom
話筒爪鎖板	G2824-2-S-X-32-090204	Rev	C
Key Component	03.POWER	PCB NAME	715G2824-1-5
Date	Tuesday, May 18, 2010	Sheet	1 of 3
		番	ODM MODEL

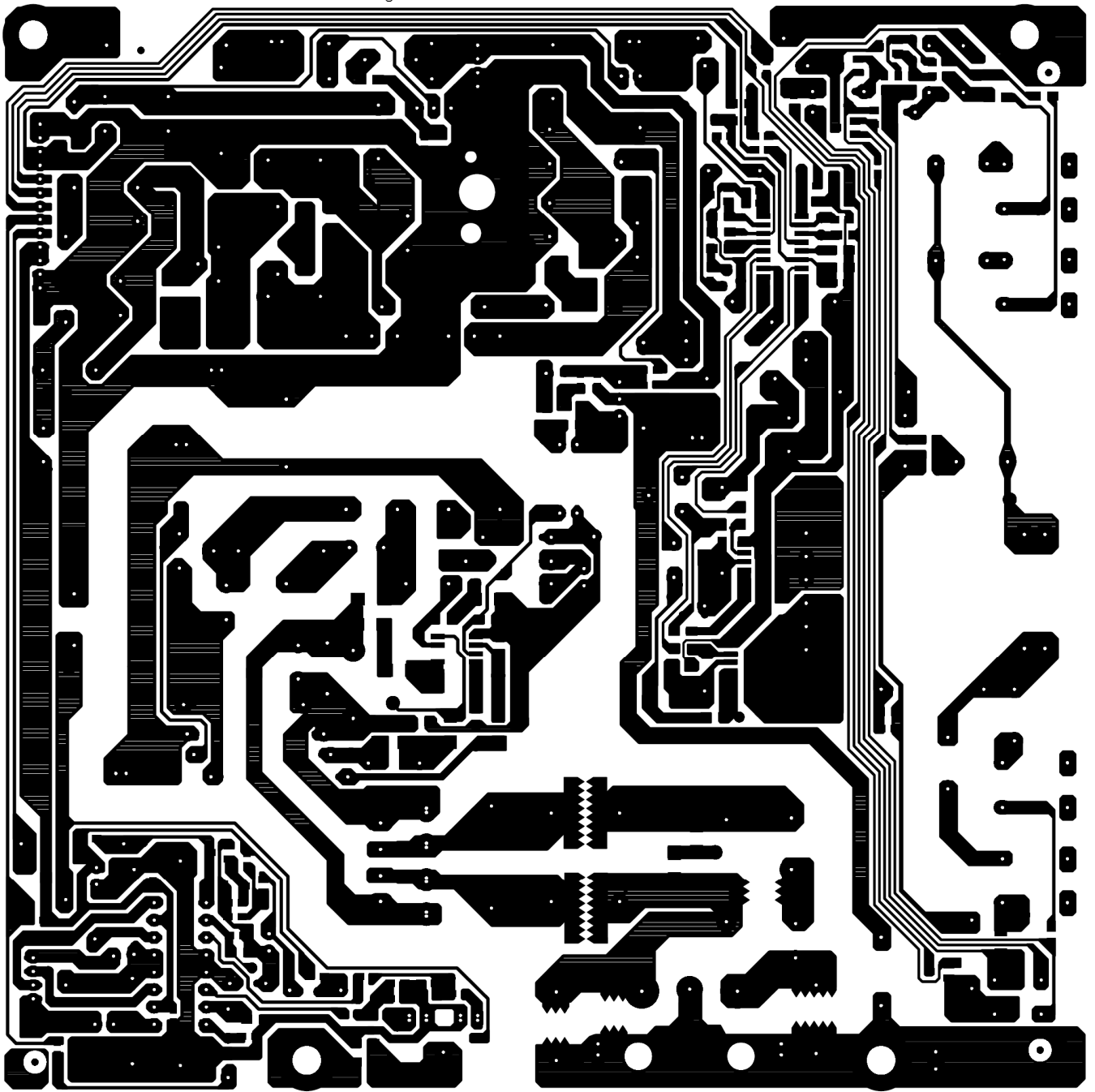


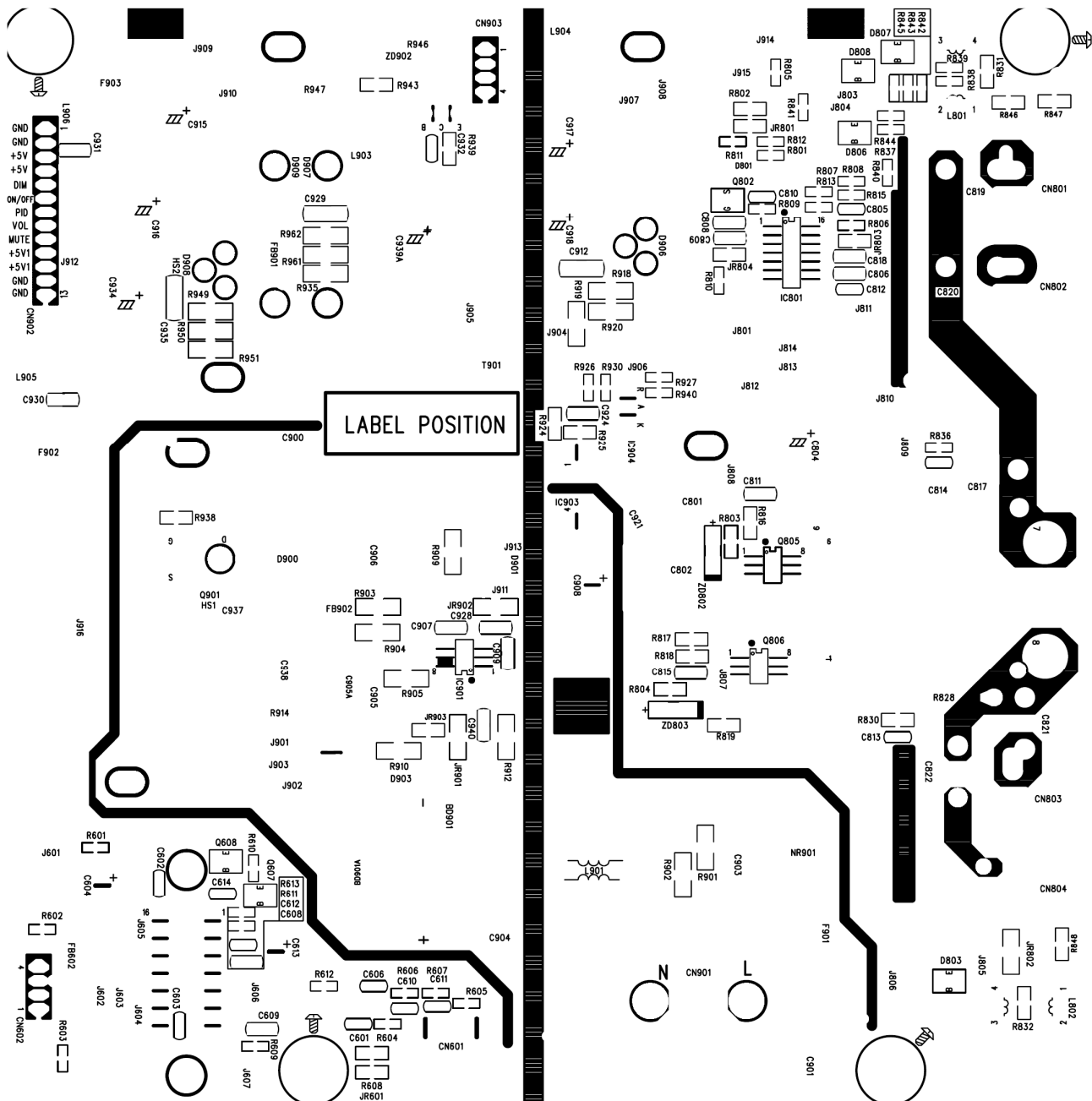
TPV (Top Victory Electronics Co., Ltd.)	OEM MODEL		Size	Custom
新隔瓜網腹	G2824-2-5-X-30-090205	TPV MODEL	Rev	C
Key Component	02.INVERTER	PCB NAME	715G2824-1-5	称爹
Date	Tuesday, May 18, 2010	Sheet	1 of 3	ODM MODEL

7.2 Power Board

715G2824P0100A001S







7.3 Key Board

715G2835 2

