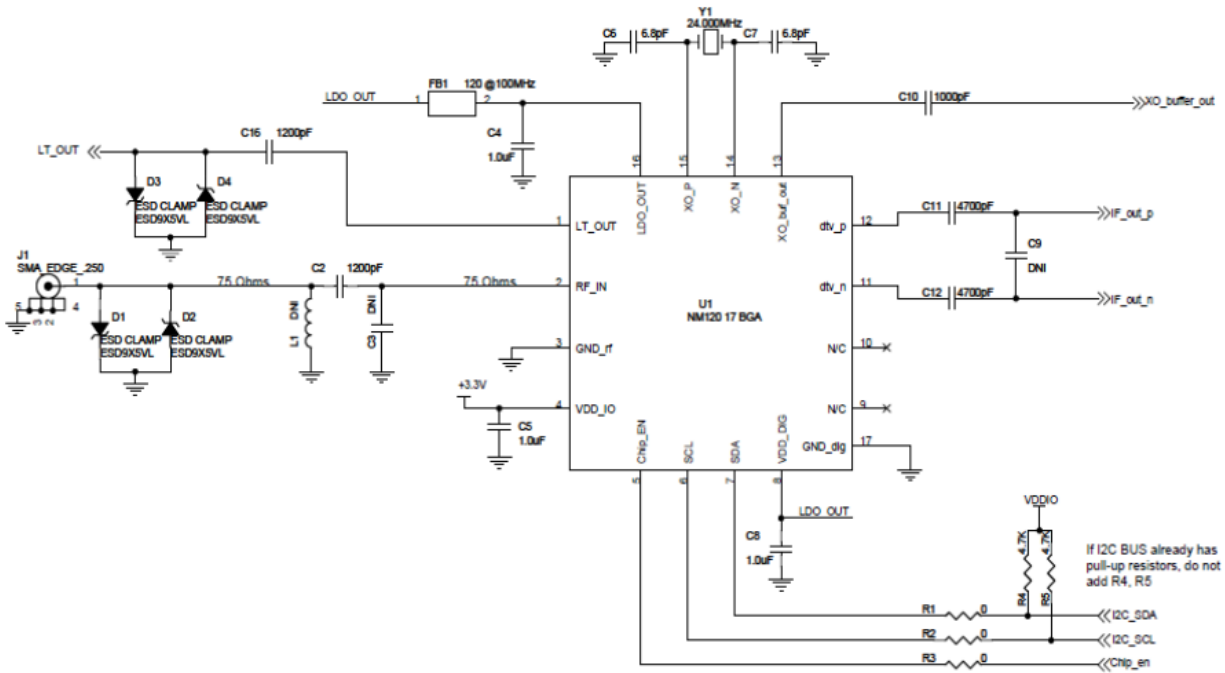


# NM120: Typical Application Schematic



Newport Media Privileged & Confidential



If I2C BUS already has pull-up resistors, do not add R4, R5