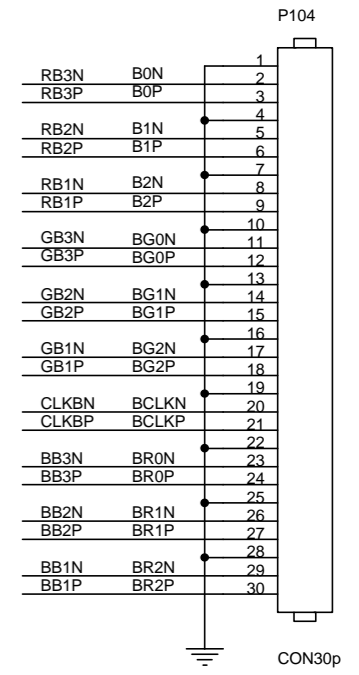
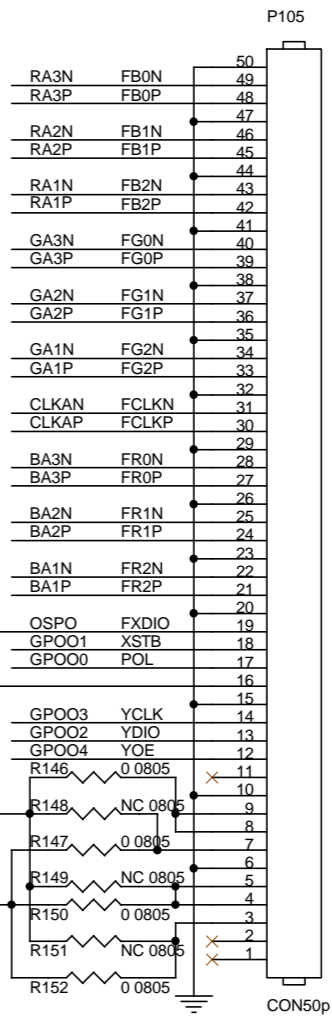
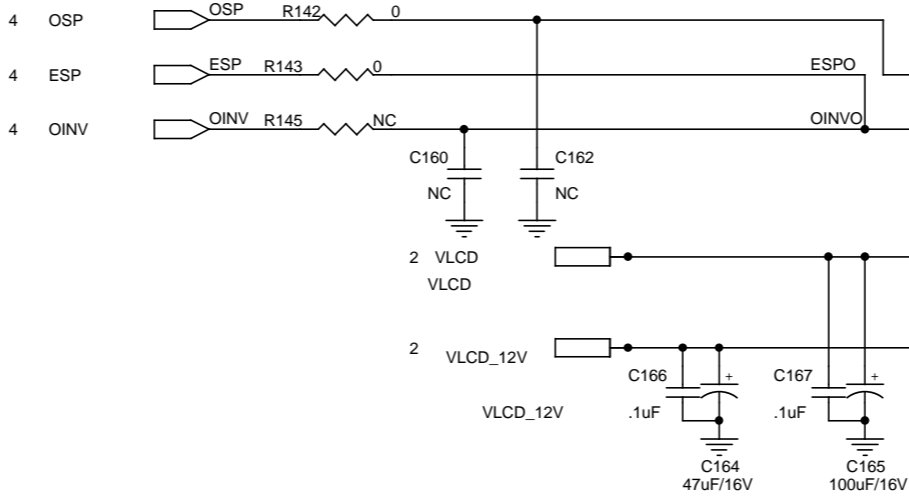
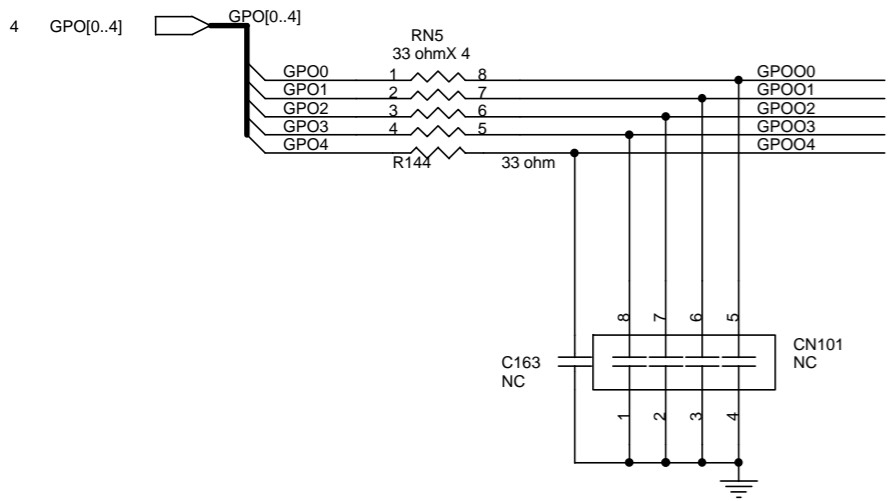
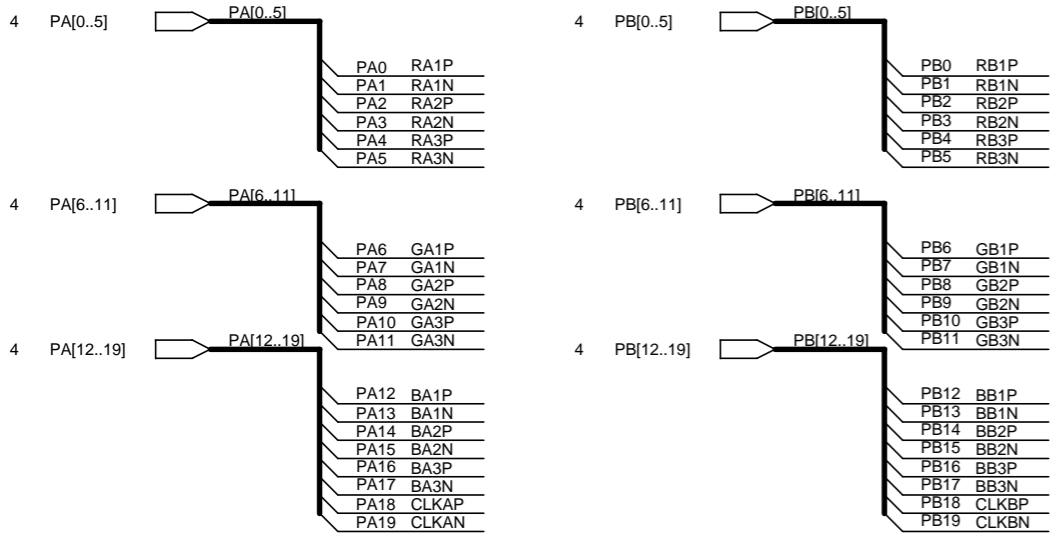


Input

- P102
- 13 RED+
 - 12 RED-
 - 11 GREEN+
 - 10 GREEN-
 - 9 BLUE+
 - 8 BLUE-
 - 7 PC5V
 - 6 VGA_CON
 - 5 H Sync
 - 4 V Sync
 - 3 SDA_VGA
 - 2 SCL_VGA
 - 1

- 4.6 DDC_CLK
- 4.6 DDC_DAT

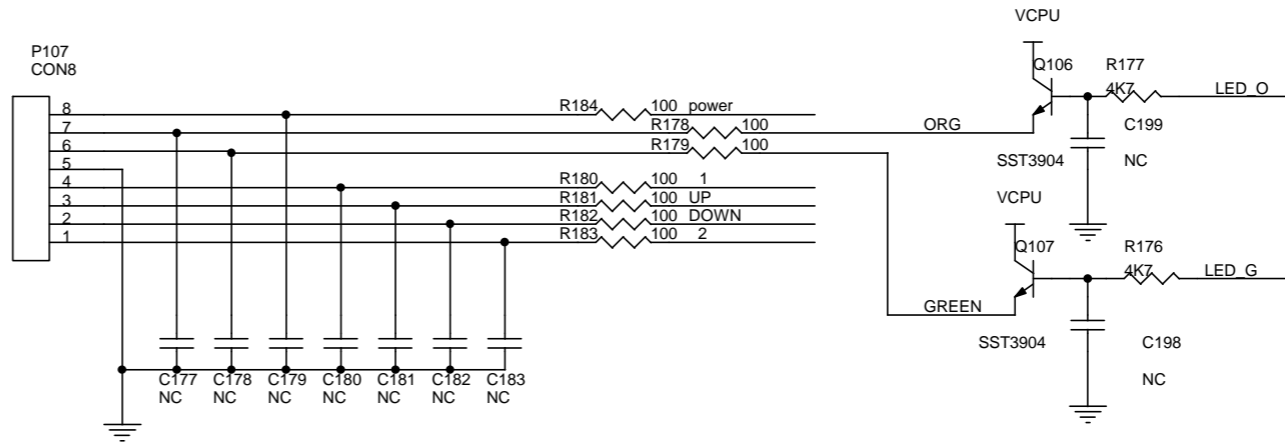
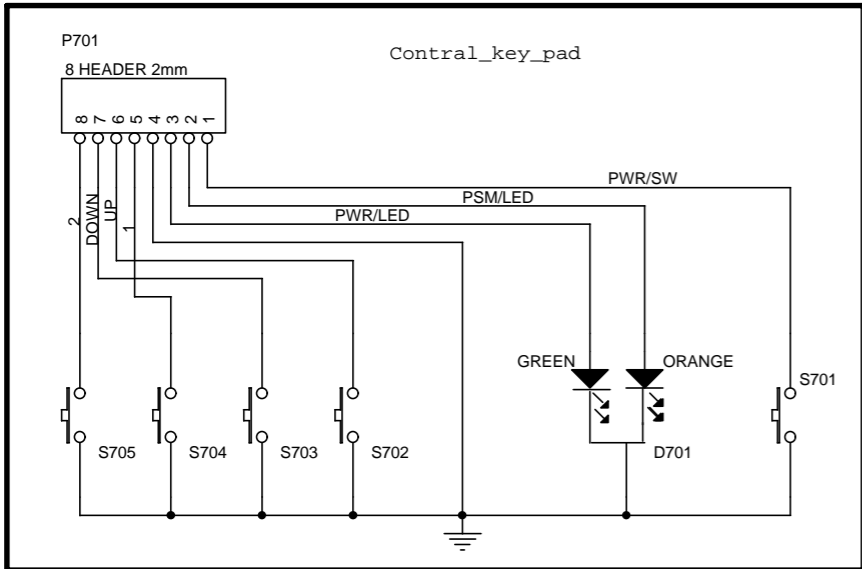
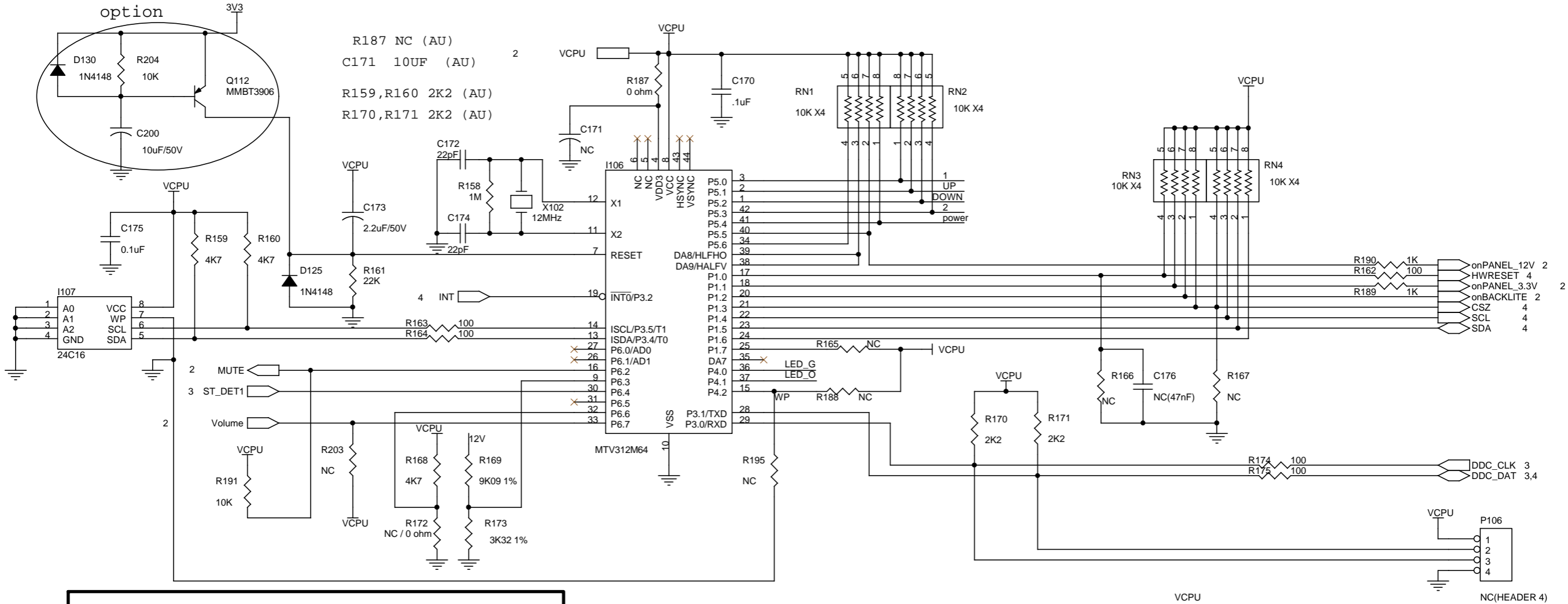
Panel Interface

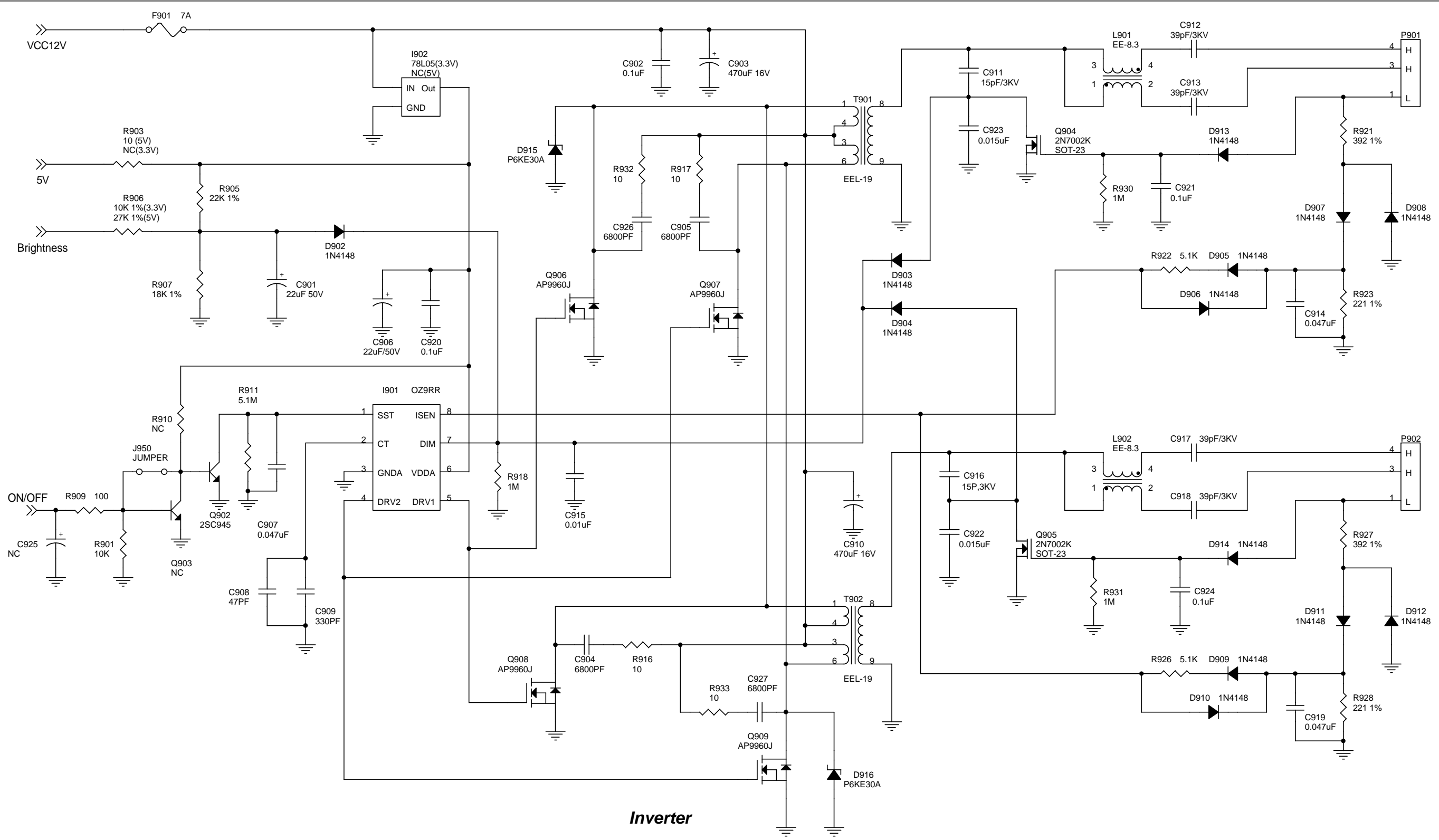


CPT QDI R152, R150, R147, R146 0 0805

AU R151, R149, R148 0 0805

MCU





Inverter

A-D Power

