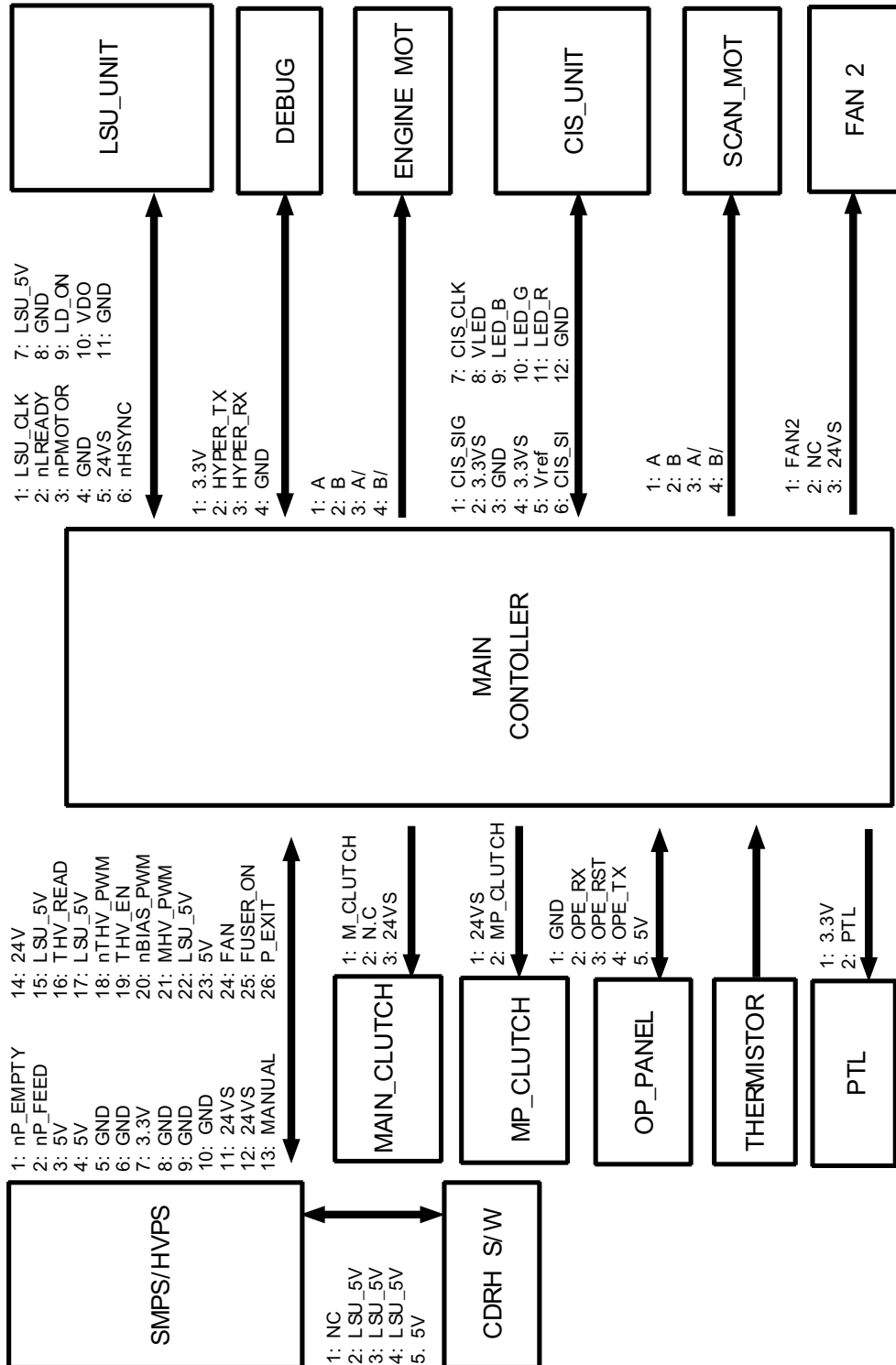


9. Connection Diagram

9.1 SCX-4200 Connection Diagram



10. Schematic Diagrams

10.1 Main Board(1/7)

Sheet	Description
1	INDEX
2	ASIC (CHORUS 2)
3	SDRAM, FLASH ROM
4	LSU, SMPS, PANEL, COVER OPEN
5	CIS, SCAN MOTOR
6	FUSER, MAIN MOTOR, CLUTCHES
7	PTL, FAN2
8	USB2.0, CRUM
9	
10	
11	
12	

**Eiger
Main controller
REV 0.3**

== MEMO ==

1. GPI PULL DOWN (GP113, GP115) -SPACE
2. SENSOR DELETE -SPACE
3. ADD COMP-TEMP ON SUBRM 4-pin1 -SPACE
4. CIS 12V PART JUMPER ADD -SPACE
5. CIS PART CAP CHANGE ON CLK AND CS LINE - 2-SPACE
6. PTL CURRENT CONTROL RESISTOR CHANGE (510M -> 620M) -SPACE
7. MAIN MOTOR DRIVE IC PART ADD CAPACITOR ON VCC -SPACE
8. MAIN MOTOR CURRENT CONTROL RESISTOR CHANGE (1.4K) -SPACE

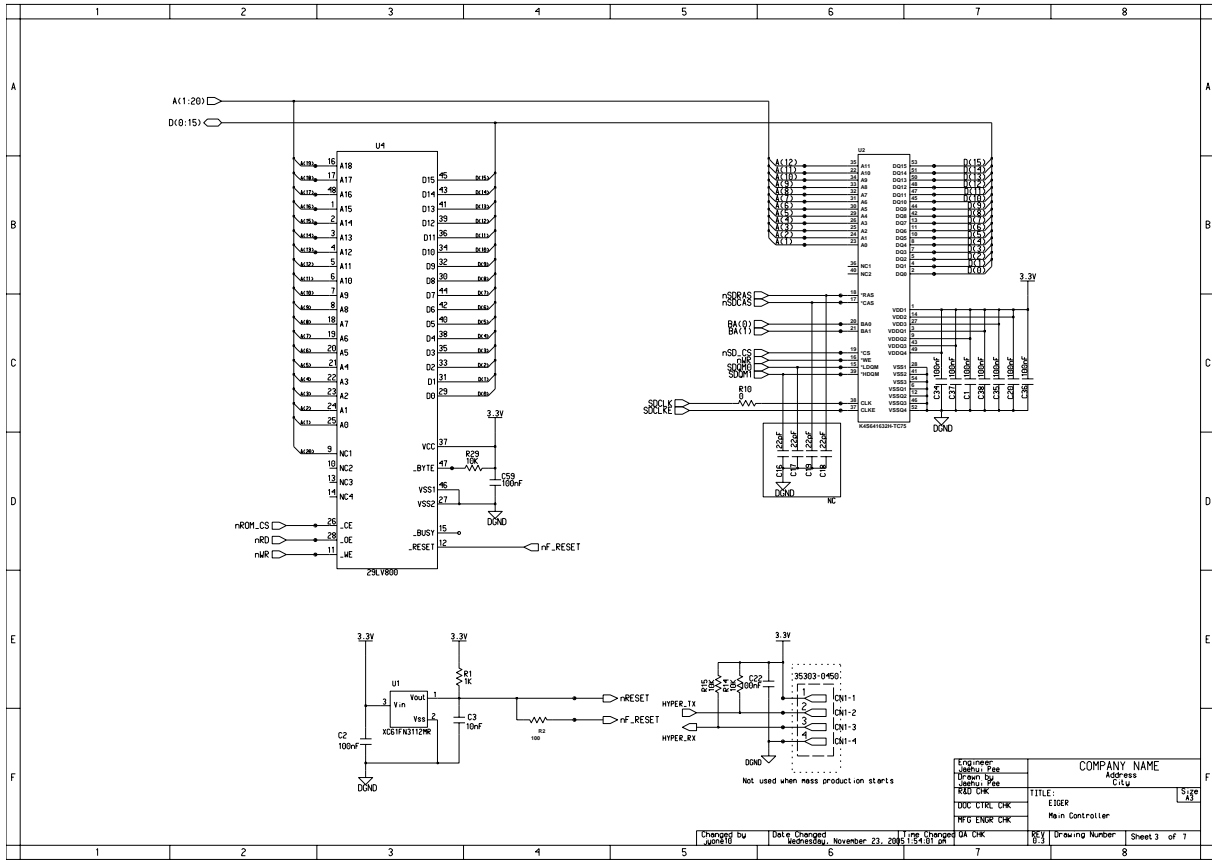
..... CHANGES BETWEEN REV0.0 AND REV0.1.....

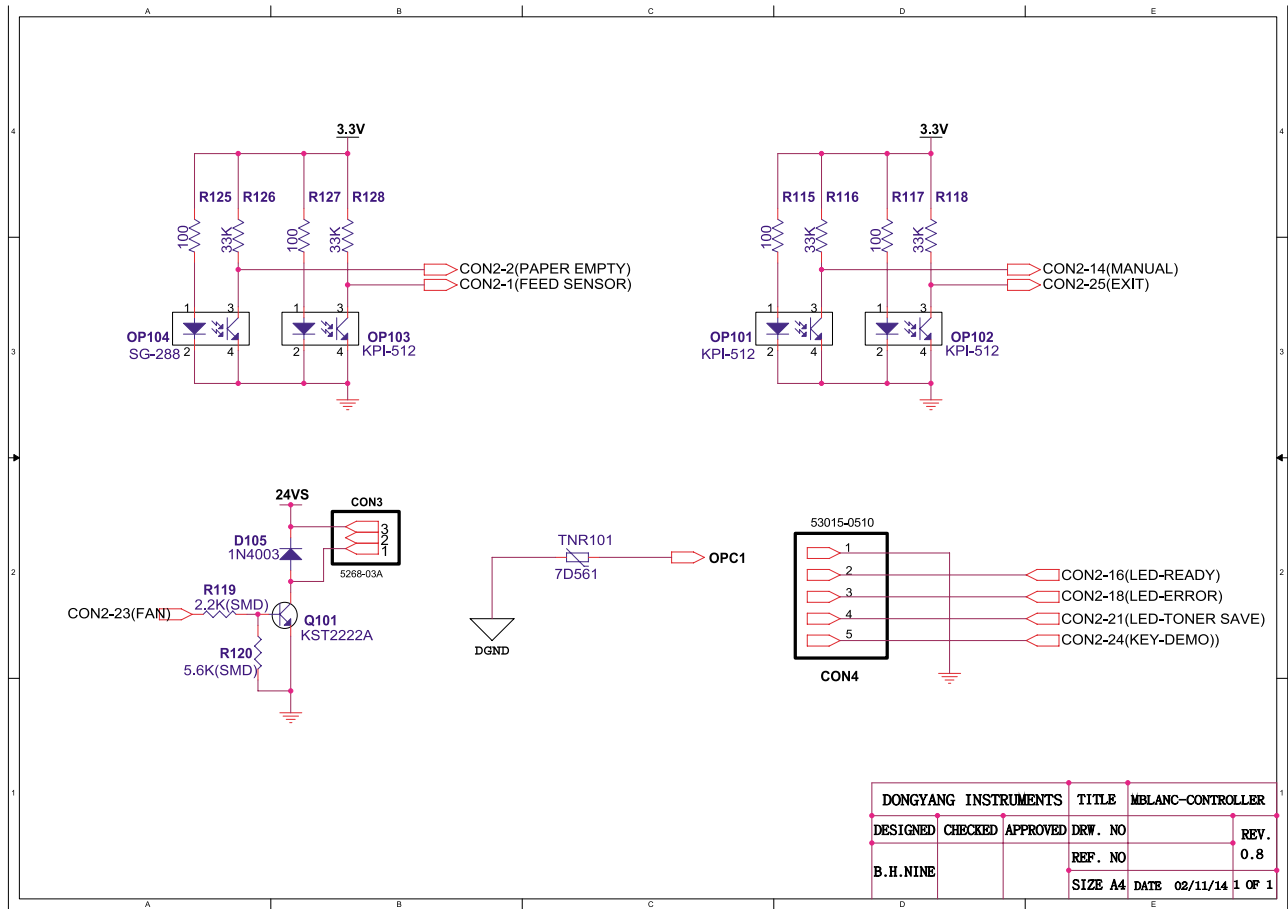
9. DRUM MOTOR AND SCAN MOTOR PORTS ADDED -SPACE
10. HOME DETECT PORT DELETED -SPACE
11. 4-TAL LOAD CAPS CHANGED TO 105P -SPACE
12. ALARM MEMORY EXTENSION CONSIDERATION (1MB->2MB) -SPACE
13. ADDED R 100OHM ON PANEL RESET SIGNAL -SPACE
14. SCAN MOTOR DRIVE IC CHANGED FROM LB8110 TO A3977 -SPACE
15. MAIN MOTOR IC CURRENT CHANGED -SPACE
16. FUSER CIRCUIT CHANGED -SPACE
17. DRUM CIRCUIT ADDED -SPACE

Checked by: Date: 10.2005	COMPANY NAME: Address: City:
DDC CTRL CLK: MFC ENMR CLK:	TITLE: Eiger Main Controller
Drawing Number:	Sheet 1 of 7

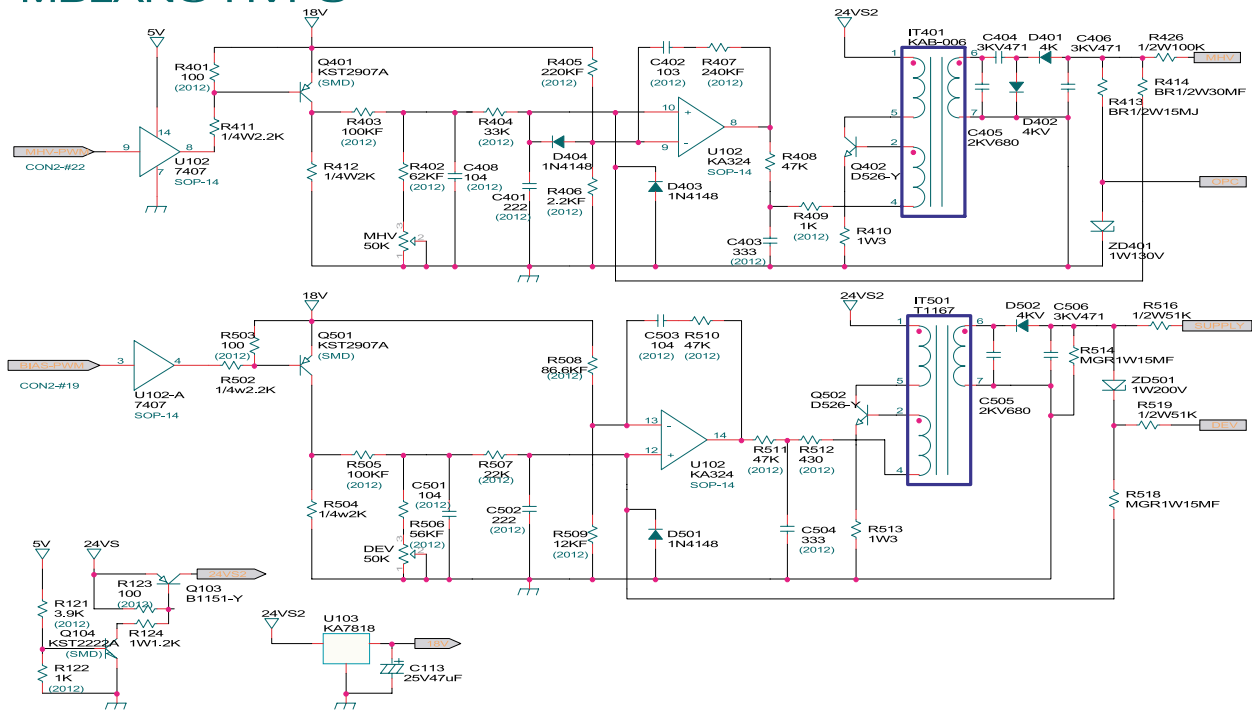
Main Board(3/7)

Schematic Diagram

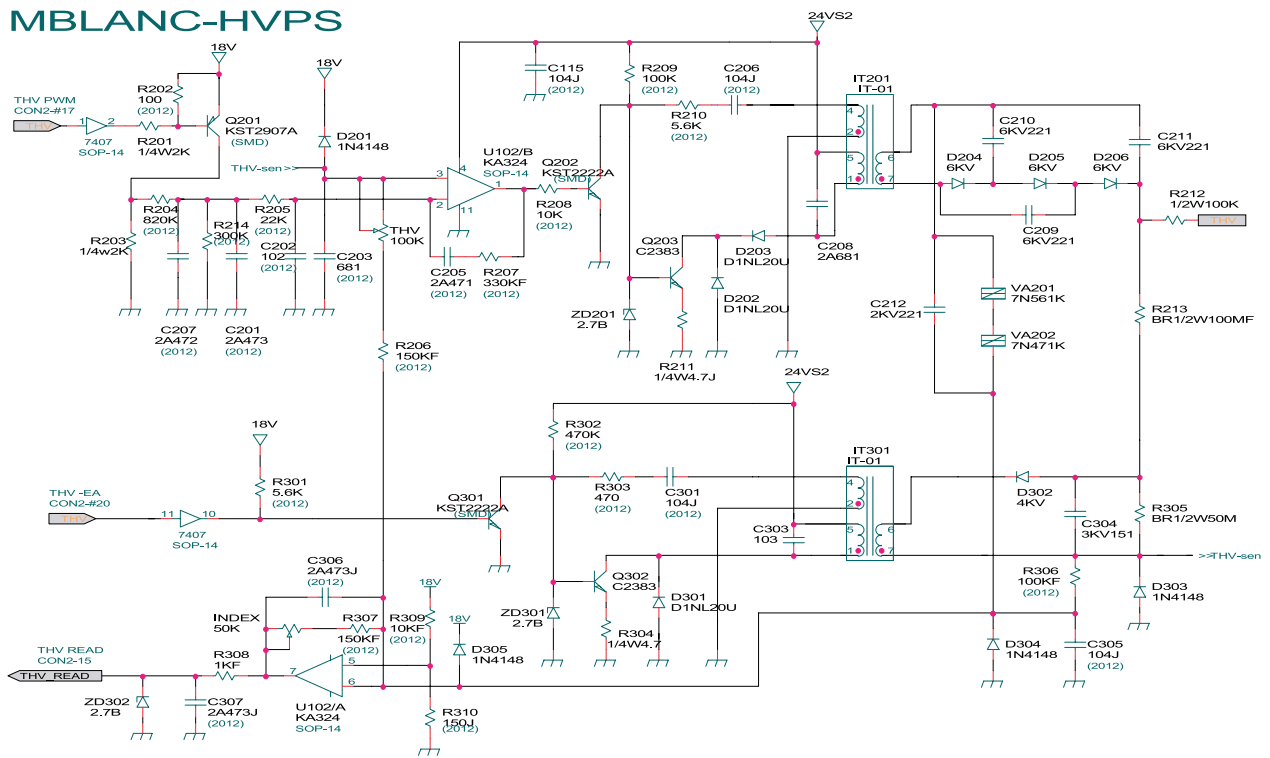




MBLANC-HVPS

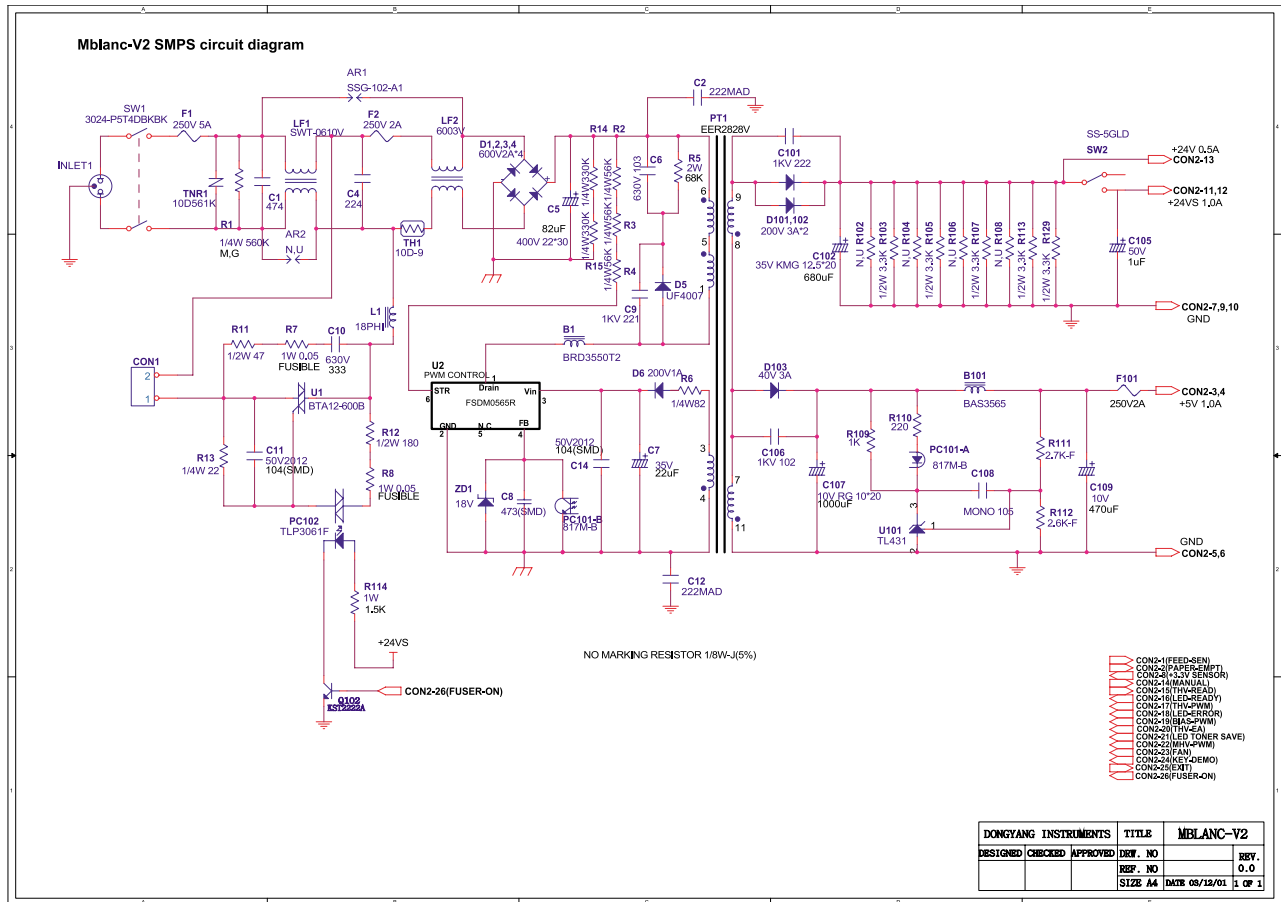


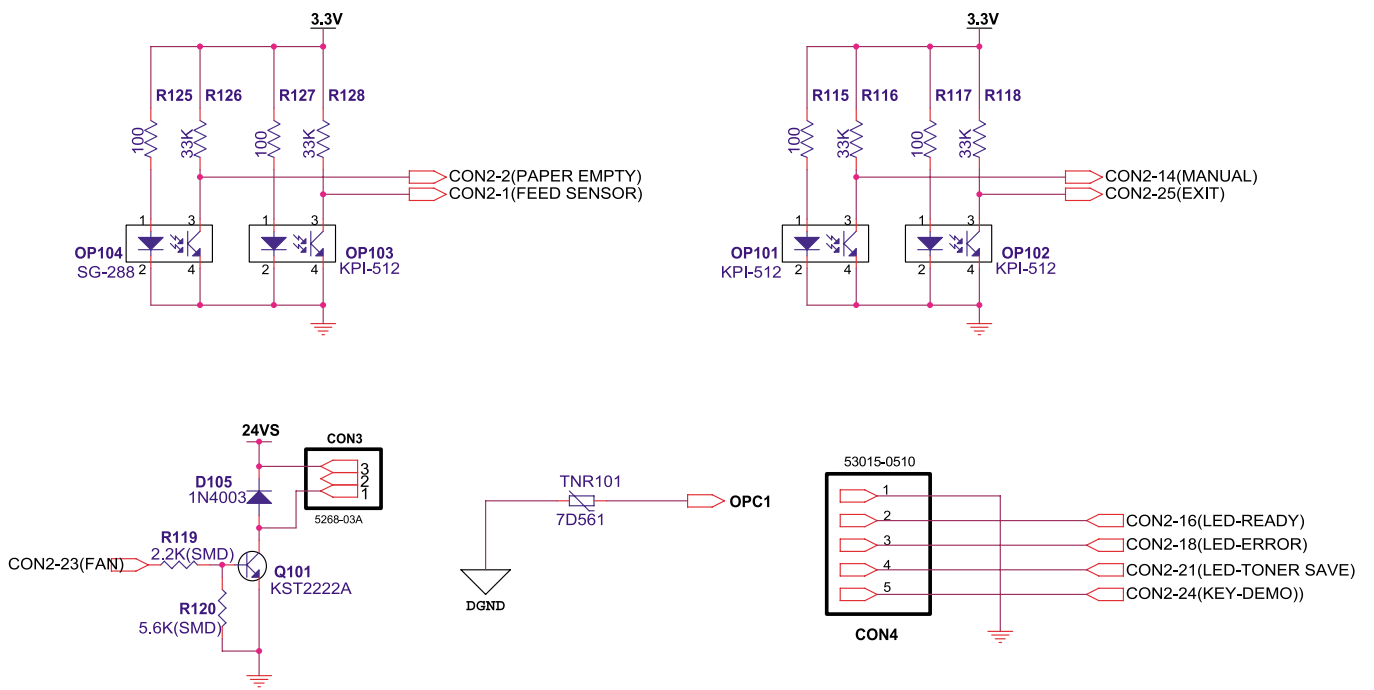
MBLANC-HVPS



10.3 SMPS-220V(1/4)

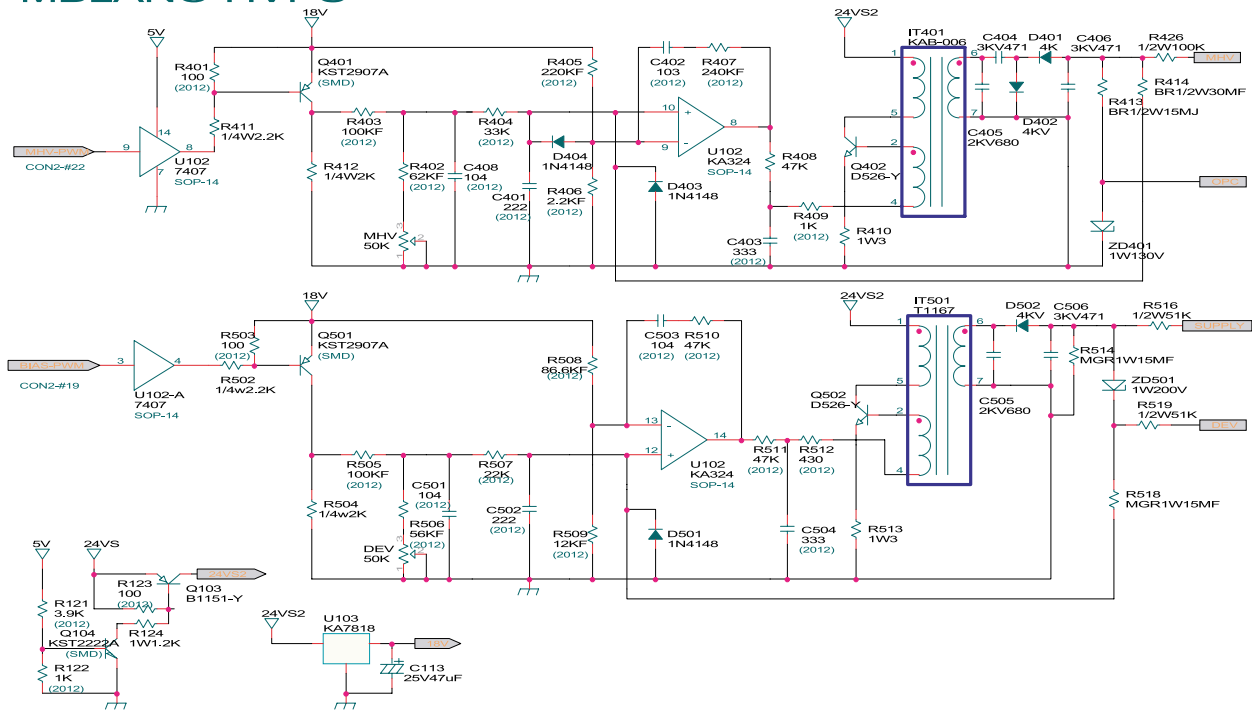
Schematic Diagram





DONGYANG INSTRUMENTS			TITLE	MELANC-CONTROLLER	
DESIGNED	CHECKED	APPROVED	DRW. NO		REV.
			REF. NO		0.8

MBLANC-HVPS



MBLANC-HVPS

