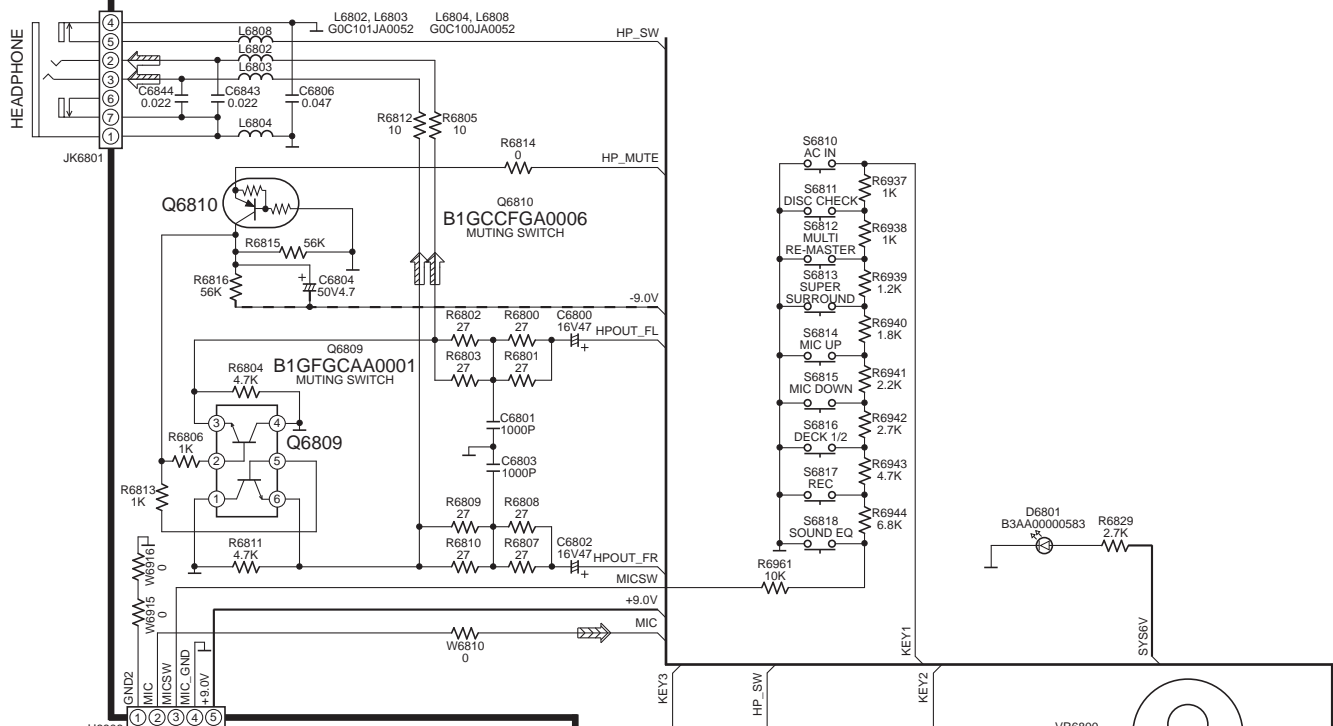
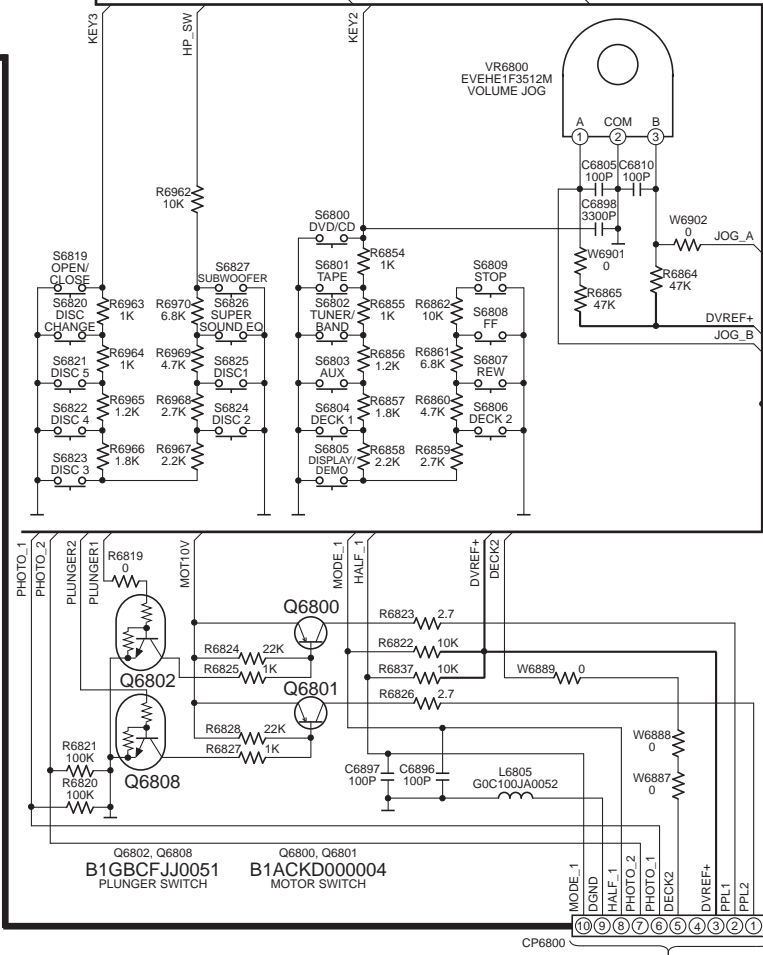
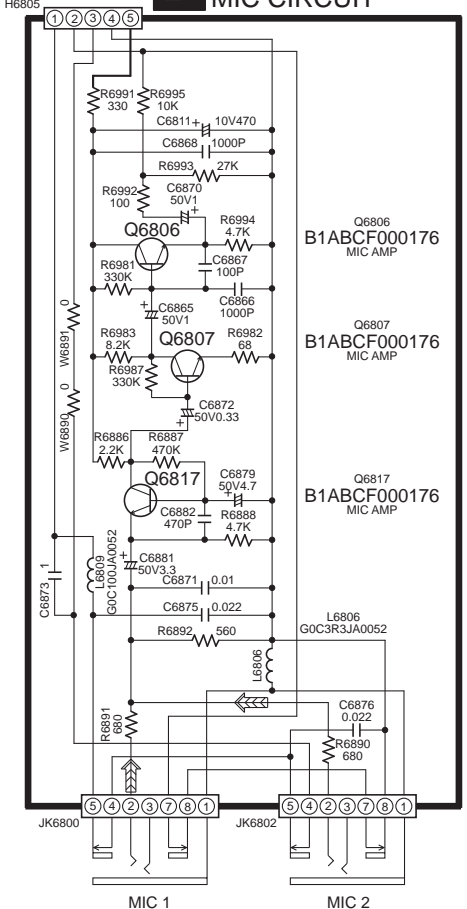


**C** PANEL CIRCUIT

— : +B SIGNAL LINE  
 - - - : -B SIGNAL LINE  
 : MIC SIGNAL LINE  
 : MAIN SIGNAL LINE



**D** MIC CIRCUIT



**F** TO DECK MECHANISM CIRCUIT (CN971) ON SCHEMATIC DIAGRAM - 22

